

ELECTRICAL SYSTEM CARD FILE (ESCF) ASSEMBLY

PART NUMBERS 285T0006-16 THRU -20,-23,-24,
-27,-28,-30,-32,-37,
-39,-40,-43,-44,-45,
-46,-48,-50,-51,-54,
-55,-57,-58,-59,-60,
-62,-63,-64,-65,-88,
-89,-90,-97,-117

COMPONENT MAINTENANCE MANUAL
WITH
ILLUSTRATED PARTS LIST

25-71-01

TITLE PAGE

Page 1

Nov 01/02

01



REVISION RECORD

- Retain this record in front of manual. On receipt of revision, insert revised pages in the manual, and enter revision number, date inserted and initial.

| REVISION NUMBER | REVISION DATE | DATE FILED | BY | REVISION NUMBER | REVISION DATE | DATE FILED | BY |
|-----------------|---------------|------------|----|-----------------|---------------|------------|----|
| | | | | | | | |

25-71-01

REVISION RECORD

01

Page 1

Nov 01/02

197277



TEMPORARY REVISION AND SERVICE BULLETIN RECORD

| BOEING SERVICE BULLETIN | BOEING TEMPORARY REVISION | OTHER DIRECTIVE | DATE OF INCORPORATION INTO MANUAL |
|-------------------------------|---------------------------------|--------------------|---|
| | | | |

25-71-01

TR & SB RECORD

01

Page 1

Nov 01/02


BOEING
 COMPONENT
 MAINTENANCE MANUAL

| PAGE | DATE | CODE | PAGE | DATE | CODE |
|---------------------------|-----------|------|---------------------------------|-----------|------|
| 25-71-01 | | | TESTING & FAULT ISOLATION CONT. | | |
| TITLE PAGE | | | *110B | NOV 01/02 | 01 |
| *1 | NOV 01/02 | 01 | *110C | NOV 01/02 | 01 |
| *2 | BLANK | | *110D | NOV 01/02 | 01 |
| REVISION RECORD | | | *110E | NOV 01/02 | 01 |
| *1 | NOV 01/02 | 01 | *110F | NOV 01/02 | 01 |
| *2 | BLANK | | *110G | NOV 01/02 | 01 |
| TR & SB RECORD | | | *110H | NOV 01/02 | 01 |
| *1 | NOV 01/02 | 01 | *110I | NOV 01/02 | 01 |
| *2 | BLANK | | *110J | NOV 01/02 | 01 |
| LIST OF EFFECTIVE PAGES | | | *110K | NOV 01/02 | 01 |
| *1 | NOV 01/02 | 01 | *110L | NOV 01/02 | 01 |
| THRU LAST PAGE | | | *110M | NOV 01/02 | 01 |
| CONTENTS | | | *110N | NOV 01/02 | 01 |
| *1 | NOV 01/02 | 01 | *110O | NOV 01/02 | 01 |
| *2 | BLANK | | *110P | NOV 01/02 | 01 |
| INTRODUCTION | | | *110Q | NOV 01/02 | 01 |
| *1 | NOV 01/02 | 01 | *110R | NOV 01/02 | 01 |
| *2 | BLANK | | *110S | NOV 01/02 | 01 |
| DESCRIPTION & OPERATION | | | *110T | NOV 01/02 | 01 |
| *1 | NOV 01/02 | 01 | *110U | NOV 01/02 | 01 |
| *2 | BLANK | | *110V | NOV 01/02 | 01 |
| TESTING & FAULT ISOLATION | | | *110W | NOV 01/02 | 01 |
| *101 | NOV 01/02 | 01 | *110X | NOV 01/02 | 01 |
| *102 | NOV 01/02 | 01 | *110Y | NOV 01/02 | 01 |
| *103 | NOV 01/02 | 01 | *110Z | NOV 01/02 | 01 |
| *104 | NOV 01/02 | 01 | *111 | NOV 01/02 | 01 |
| *105 | NOV 01/02 | 01 | *112 | NOV 01/02 | 01 |
| *106 | NOV 01/02 | 01 | *112A | NOV 01/02 | 01 |
| *107 | NOV 01/02 | 01 | *112B | NOV 01/02 | 01 |
| *108 | NOV 01/02 | 01 | *112C | NOV 01/02 | 01 |
| *109 | NOV 01/02 | 01 | *112D | NOV 01/02 | 01 |
| *110 | NOV 01/02 | 01 | *112E | NOV 01/02 | 01 |
| *110A | NOV 01/02 | 01 | *112F | NOV 01/02 | 01 |
| | | | *112G | NOV 01/02 | 01 |
| | | | *112H | NOV 01/02 | 01 |
| | | | *112I | NOV 01/02 | 01 |
| | | | *112J | NOV 01/02 | 01 |
| | | | *112K | NOV 01/02 | 01 |
| | | | *112L | NOV 01/02 | 01 |
| | | | *112M | NOV 01/02 | 01 |
| | | | *112N | NOV 01/02 | 01 |
| | | | *112O | NOV 01/02 | 01 |

* = REVISED, ADDED OR DELETED

25-71-01

EFFECTIVE PAGES

CONTINUED Page 1

01 Nov 01/02

| PAGE | DATE | CODE | PAGE | DATE | CODE |
|---------------------------|-----------|-------|---------------------------|-----------|-------|
| TESTING & FAULT ISOLATION | | CONT. | TESTING & FAULT ISOLATION | | CONT. |
| *112P | NOV 01/02 | 01 | *116B | NOV 01/02 | 01 |
| *112Q | NOV 01/02 | 01 | *116C | NOV 01/02 | 01 |
| *112R | NOV 01/02 | 01 | *116D | NOV 01/02 | 01 |
| *112S | NOV 01/02 | 01 | *116E | NOV 01/02 | 01 |
| *112T | NOV 01/02 | 01 | *116F | NOV 01/02 | 01 |
| *112U | NOV 01/02 | 01 | *116G | NOV 01/02 | 01 |
| *112V | NOV 01/02 | 01 | *116H | NOV 01/02 | 01 |
| *112W | NOV 01/02 | 01 | *116I | NOV 01/02 | 01 |
| *112X | NOV 01/02 | 01 | *116J | NOV 01/02 | 01 |
| *112Y | NOV 01/02 | 01 | *116K | NOV 01/02 | 01 |
| *112Z | NOV 01/02 | 01 | *116L | NOV 01/02 | 01 |
| *113 | NOV 01/02 | 01 | *116M | NOV 01/02 | 01 |
| *114 | NOV 01/02 | 01 | *116N | NOV 01/02 | 01 |
| *114A | NOV 01/02 | 01 | *116O | NOV 01/02 | 01 |
| *114B | NOV 01/02 | 01 | *116P | NOV 01/02 | 01 |
| *114C | NOV 01/02 | 01 | *116Q | NOV 01/02 | 01 |
| *114D | NOV 01/02 | 01 | *116R | NOV 01/02 | 01 |
| *114E | NOV 01/02 | 01 | *116S | NOV 01/02 | 01 |
| *114F | NOV 01/02 | 01 | *116T | NOV 01/02 | 01 |
| *114G | NOV 01/02 | 01 | *116U | NOV 01/02 | 01 |
| *114H | NOV 01/02 | 01 | *116V | NOV 01/02 | 01 |
| *114I | NOV 01/02 | 01 | *116W | NOV 01/02 | 01 |
| *114J | NOV 01/02 | 01 | *116X | NOV 01/02 | 01 |
| *114K | NOV 01/02 | 01 | *116Y | NOV 01/02 | 01 |
| *114L | NOV 01/02 | 01 | *116Z | NOV 01/02 | 01 |
| *114M | NOV 01/02 | 01 | *117 | NOV 01/02 | 01 |
| *114N | NOV 01/02 | 01 | *118 | NOV 01/02 | 01 |
| *114O | NOV 01/02 | 01 | *118A | NOV 01/02 | 01 |
| *114P | NOV 01/02 | 01 | *118B | NOV 01/02 | 01 |
| *114Q | NOV 01/02 | 01 | *118C | NOV 01/02 | 01 |
| *114R | NOV 01/02 | 01 | *118D | NOV 01/02 | 01 |
| *114S | NOV 01/02 | 01 | *118E | NOV 01/02 | 01 |
| *114T | NOV 01/02 | 01 | *118F | NOV 01/02 | 01 |
| *114U | NOV 01/02 | 01 | *118G | NOV 01/02 | 01 |
| *114V | NOV 01/02 | 01 | *118H | NOV 01/02 | 01 |
| *114W | NOV 01/02 | 01 | *118I | NOV 01/02 | 01 |
| *114X | NOV 01/02 | 01 | *118J | NOV 01/02 | 01 |
| *114Y | NOV 01/02 | 01 | *118K | NOV 01/02 | 01 |
| *114Z | NOV 01/02 | 01 | *118L | NOV 01/02 | 01 |
| *115 | NOV 01/02 | 01 | *118M | NOV 01/02 | 01 |
| *116 | NOV 01/02 | 01 | *118N | NOV 01/02 | 01 |
| *116A | NOV 01/02 | 01 | *118O | NOV 01/02 | 01 |

* = REVISED, ADDED OR DELETED

25-71-01

EFFECTIVE PAGES
CONTINUED Page 2
01 Nov 01/02


BOEING
 COMPONENT
 MAINTENANCE MANUAL

| PAGE | DATE | CODE | PAGE | DATE | CODE |
|---------------------------|-----------|-------|---------------------------|-----------|-------|
| TESTING & FAULT ISOLATION | | | TESTING & FAULT ISOLATION | | |
| | | CONT. | | | CONT. |
| *118P | NOV 01/02 | 01 | *122B | NOV 01/02 | 01 |
| *118Q | NOV 01/02 | 01 | *122C | NOV 01/02 | 01 |
| *118R | NOV 01/02 | 01 | *122D | NOV 01/02 | 01 |
| *118S | NOV 01/02 | 01 | *122E | NOV 01/02 | 01 |
| *118T | NOV 01/02 | 01 | *122F | NOV 01/02 | 01 |
| *118U | NOV 01/02 | 01 | *122G | NOV 01/02 | 01 |
| *118V | NOV 01/02 | 01 | *122H | NOV 01/02 | 01 |
| *118W | NOV 01/02 | 01 | *122I | NOV 01/02 | 01 |
| *118X | NOV 01/02 | 01 | *122J | NOV 01/02 | 01 |
| *118Y | NOV 01/02 | 01 | *122K | NOV 01/02 | 01 |
| *118Z | NOV 01/02 | 01 | *122L | NOV 01/02 | 01 |
| *119 | NOV 01/02 | 01 | *122M | NOV 01/02 | 01 |
| *120 | NOV 01/02 | 01 | *122N | NOV 01/02 | 01 |
| *120A | NOV 01/02 | 01 | *122O | NOV 01/02 | 01 |
| *120B | NOV 01/02 | 01 | *122P | NOV 01/02 | 01 |
| *120C | NOV 01/02 | 01 | *122Q | NOV 01/02 | 01 |
| *120D | NOV 01/02 | 01 | *122R | NOV 01/02 | 01 |
| *120E | NOV 01/02 | 01 | *122S | NOV 01/02 | 01 |
| *120F | NOV 01/02 | 01 | *122T | NOV 01/02 | 01 |
| *120G | NOV 01/02 | 01 | *122U | NOV 01/02 | 01 |
| *120H | NOV 01/02 | 01 | *122V | NOV 01/02 | 01 |
| *120I | NOV 01/02 | 01 | *122W | NOV 01/02 | 01 |
| *120J | NOV 01/02 | 01 | *122X | NOV 01/02 | 01 |
| *120K | NOV 01/02 | 01 | *122Y | NOV 01/02 | 01 |
| *120L | NOV 01/02 | 01 | *122Z | NOV 01/02 | 01 |
| *120M | NOV 01/02 | 01 | *123 | NOV 01/02 | 01 |
| *120N | NOV 01/02 | 01 | *124 | NOV 01/02 | 01 |
| *120O | NOV 01/02 | 01 | *124A | NOV 01/02 | 01 |
| *120P | NOV 01/02 | 01 | *124B | NOV 01/02 | 01 |
| *120Q | NOV 01/02 | 01 | *124C | NOV 01/02 | 01 |
| *120R | NOV 01/02 | 01 | *124D | NOV 01/02 | 01 |
| *120S | NOV 01/02 | 01 | *124E | NOV 01/02 | 01 |
| *120T | NOV 01/02 | 01 | *124F | NOV 01/02 | 01 |
| *120U | NOV 01/02 | 01 | *124G | NOV 01/02 | 01 |
| *120V | NOV 01/02 | 01 | *124H | NOV 01/02 | 01 |
| *120W | NOV 01/02 | 01 | *124I | NOV 01/02 | 01 |
| *120X | NOV 01/02 | 01 | *124J | NOV 01/02 | 01 |
| *120Y | NOV 01/02 | 01 | *124K | NOV 01/02 | 01 |
| *120Z | NOV 01/02 | 01 | *124L | NOV 01/02 | 01 |
| *121 | NOV 01/02 | 01 | *124M | NOV 01/02 | 01 |
| *122 | NOV 01/02 | 01 | *124N | NOV 01/02 | 01 |
| *122A | NOV 01/02 | 01 | *124O | NOV 01/02 | 01 |

* = REVISED, ADDED OR DELETED

25-71-01

EFFECTIVE PAGES

CONTINUED Page 3

01 Nov 01/02

| PAGE | DATE | CODE | PAGE | DATE | CODE |
|---------------------------|-----------|-------|---------------------------|-----------|-------|
| TESTING & FAULT ISOLATION | | CONT. | TESTING & FAULT ISOLATION | | CONT. |
| *124P | NOV 01/02 | 01 | *128B | NOV 01/02 | 01 |
| *124Q | NOV 01/02 | 01 | *128C | NOV 01/02 | 01 |
| *124R | NOV 01/02 | 01 | *128D | NOV 01/02 | 01 |
| *124S | NOV 01/02 | 01 | *128E | NOV 01/02 | 01 |
| *124T | NOV 01/02 | 01 | *128F | NOV 01/02 | 01 |
| *124U | NOV 01/02 | 01 | *128G | NOV 01/02 | 01 |
| *124V | NOV 01/02 | 01 | *128H | NOV 01/02 | 01 |
| *124W | NOV 01/02 | 01 | *128I | NOV 01/02 | 01 |
| *124X | NOV 01/02 | 01 | *128J | NOV 01/02 | 01 |
| *124Y | NOV 01/02 | 01 | *128K | NOV 01/02 | 01 |
| *124Z | NOV 01/02 | 01 | *128L | NOV 01/02 | 01 |
| *125 | NOV 01/02 | 01 | *128M | NOV 01/02 | 01 |
| *126 | NOV 01/02 | 01 | *128N | NOV 01/02 | 01 |
| *126A | NOV 01/02 | 01 | *128O | NOV 01/02 | 01 |
| *126B | NOV 01/02 | 01 | *128P | NOV 01/02 | 01 |
| *126C | NOV 01/02 | 01 | *128Q | NOV 01/02 | 01 |
| *126D | NOV 01/02 | 01 | *128R | NOV 01/02 | 01 |
| *126E | NOV 01/02 | 01 | *128S | NOV 01/02 | 01 |
| *126F | NOV 01/02 | 01 | *128T | NOV 01/02 | 01 |
| *126G | NOV 01/02 | 01 | *128U | NOV 01/02 | 01 |
| *126H | NOV 01/02 | 01 | *128V | NOV 01/02 | 01 |
| *126I | NOV 01/02 | 01 | *128W | NOV 01/02 | 01 |
| *126J | NOV 01/02 | 01 | *128X | NOV 01/02 | 01 |
| *126K | NOV 01/02 | 01 | *128Y | NOV 01/02 | 01 |
| *126L | NOV 01/02 | 01 | *128Z | NOV 01/02 | 01 |
| *126M | NOV 01/02 | 01 | *129 | NOV 01/02 | 01 |
| *126N | NOV 01/02 | 01 | *130 | NOV 01/02 | 01 |
| *126O | NOV 01/02 | 01 | *130A | NOV 01/02 | 01 |
| *126P | NOV 01/02 | 01 | *130B | NOV 01/02 | 01 |
| *126Q | NOV 01/02 | 01 | *130C | NOV 01/02 | 01 |
| *126R | NOV 01/02 | 01 | *130D | NOV 01/02 | 01 |
| *126S | NOV 01/02 | 01 | *130E | NOV 01/02 | 01 |
| *126T | NOV 01/02 | 01 | *130F | NOV 01/02 | 01 |
| *126U | NOV 01/02 | 01 | *130G | NOV 01/02 | 01 |
| *126V | NOV 01/02 | 01 | *130H | NOV 01/02 | 01 |
| *126W | NOV 01/02 | 01 | *130I | NOV 01/02 | 01 |
| *126X | NOV 01/02 | 01 | *130J | NOV 01/02 | 01 |
| *126Y | NOV 01/02 | 01 | *130K | NOV 01/02 | 01 |
| *126Z | NOV 01/02 | 01 | *130L | NOV 01/02 | 01 |
| *127 | NOV 01/02 | 01 | *130M | NOV 01/02 | 01 |
| *128 | NOV 01/02 | 01 | *130N | NOV 01/02 | 01 |
| *128A | NOV 01/02 | 01 | *130O | NOV 01/02 | 01 |

* = REVISED, ADDED OR DELETED

25-71-01

EFFECTIVE PAGES
CONTINUED Page 4
01 Nov 01/02


BOEING
 COMPONENT
 MAINTENANCE MANUAL

| PAGE | DATE | CODE | PAGE | DATE | CODE |
|---------------------------|-----------|-------|---------------------------|-----------|-------|
| TESTING & FAULT ISOLATION | | | TESTING & FAULT ISOLATION | | |
| | | CONT. | | | CONT. |
| *130P | NOV 01/02 | 01 | *134B | NOV 01/02 | 01 |
| *130Q | NOV 01/02 | 01 | *134C | NOV 01/02 | 01 |
| *130R | NOV 01/02 | 01 | *134D | NOV 01/02 | 01 |
| *130S | NOV 01/02 | 01 | *134E | NOV 01/02 | 01 |
| *130T | NOV 01/02 | 01 | *134F | NOV 01/02 | 01 |
| *130U | NOV 01/02 | 01 | *134G | NOV 01/02 | 01 |
| *130V | NOV 01/02 | 01 | *134H | NOV 01/02 | 01 |
| *130W | NOV 01/02 | 01 | *134I | NOV 01/02 | 01 |
| *130X | NOV 01/02 | 01 | *134J | NOV 01/02 | 01 |
| *130Y | NOV 01/02 | 01 | *134K | NOV 01/02 | 01 |
| *130Z | NOV 01/02 | 01 | *134L | NOV 01/02 | 01 |
| *131 | NOV 01/02 | 01 | *134M | NOV 01/02 | 01 |
| *132 | NOV 01/02 | 01 | *134N | NOV 01/02 | 01 |
| *132A | NOV 01/02 | 01 | *134O | NOV 01/02 | 01 |
| *132B | NOV 01/02 | 01 | *134P | NOV 01/02 | 01 |
| *132C | NOV 01/02 | 01 | *134Q | NOV 01/02 | 01 |
| *132D | NOV 01/02 | 01 | *134R | NOV 01/02 | 01 |
| *132E | NOV 01/02 | 01 | *134S | NOV 01/02 | 01 |
| *132F | NOV 01/02 | 01 | *134T | NOV 01/02 | 01 |
| *132G | NOV 01/02 | 01 | *134U | NOV 01/02 | 01 |
| *132H | NOV 01/02 | 01 | *134V | NOV 01/02 | 01 |
| *132I | NOV 01/02 | 01 | *134W | NOV 01/02 | 01 |
| *132J | NOV 01/02 | 01 | *134X | NOV 01/02 | 01 |
| *132K | NOV 01/02 | 01 | *134Y | NOV 01/02 | 01 |
| *132L | NOV 01/02 | 01 | *134Z | NOV 01/02 | 01 |
| *132M | NOV 01/02 | 01 | *135 | NOV 01/02 | 01 |
| *132N | NOV 01/02 | 01 | *136 | NOV 01/02 | 01 |
| *132O | NOV 01/02 | 01 | *136A | NOV 01/02 | 01 |
| *132P | NOV 01/02 | 01 | *136B | NOV 01/02 | 01 |
| *132Q | NOV 01/02 | 01 | *136C | NOV 01/02 | 01 |
| *132R | NOV 01/02 | 01 | *136D | NOV 01/02 | 01 |
| *132S | NOV 01/02 | 01 | *136E | NOV 01/02 | 01 |
| *132T | NOV 01/02 | 01 | *136F | NOV 01/02 | 01 |
| *132U | NOV 01/02 | 01 | *136G | NOV 01/02 | 01 |
| *132V | NOV 01/02 | 01 | *136H | NOV 01/02 | 01 |
| *132W | NOV 01/02 | 01 | *136I | NOV 01/02 | 01 |
| *132X | NOV 01/02 | 01 | *136J | NOV 01/02 | 01 |
| *132Y | NOV 01/02 | 01 | *136K | NOV 01/02 | 01 |
| *132Z | NOV 01/02 | 01 | *136L | NOV 01/02 | 01 |
| *133 | NOV 01/02 | 01 | *136M | NOV 01/02 | 01 |
| *134 | NOV 01/02 | 01 | *136N | NOV 01/02 | 01 |
| *134A | NOV 01/02 | 01 | *136O | NOV 01/02 | 01 |

* = REVISED, ADDED OR DELETED

25-71-01

EFFECTIVE PAGES

CONTINUED Page 5

01 Nov 01/02

| PAGE | DATE | CODE | PAGE | DATE | CODE |
|---------------------------|-----------|-------|---------------------------|-----------|-------|
| TESTING & FAULT ISOLATION | | CONT. | TESTING & FAULT ISOLATION | | CONT. |
| *136P | NOV 01/02 | 01 | *140B | NOV 01/02 | 01 |
| *136Q | NOV 01/02 | 01 | *140C | NOV 01/02 | 01 |
| *136R | NOV 01/02 | 01 | *140D | NOV 01/02 | 01 |
| *136S | NOV 01/02 | 01 | *140E | NOV 01/02 | 01 |
| *136T | NOV 01/02 | 01 | *140F | NOV 01/02 | 01 |
| *136U | NOV 01/02 | 01 | *140G | NOV 01/02 | 01 |
| *136V | NOV 01/02 | 01 | *140H | NOV 01/02 | 01 |
| *136W | NOV 01/02 | 01 | *140I | NOV 01/02 | 01 |
| *136X | NOV 01/02 | 01 | *140J | NOV 01/02 | 01 |
| *136Y | NOV 01/02 | 01 | *140K | NOV 01/02 | 01 |
| *136Z | NOV 01/02 | 01 | *140L | NOV 01/02 | 01 |
| *137 | NOV 01/02 | 01 | *140M | NOV 01/02 | 01 |
| *138 | NOV 01/02 | 01 | *140N | NOV 01/02 | 01 |
| *138A | NOV 01/02 | 01 | *140O | NOV 01/02 | 01 |
| *138B | NOV 01/02 | 01 | *140P | NOV 01/02 | 01 |
| *138C | NOV 01/02 | 01 | *140Q | NOV 01/02 | 01 |
| *138D | NOV 01/02 | 01 | *140R | NOV 01/02 | 01 |
| *138E | NOV 01/02 | 01 | *140S | NOV 01/02 | 01 |
| *138F | NOV 01/02 | 01 | *140T | NOV 01/02 | 01 |
| *138G | NOV 01/02 | 01 | *140U | NOV 01/02 | 01 |
| *138H | NOV 01/02 | 01 | *140V | NOV 01/02 | 01 |
| *138I | NOV 01/02 | 01 | *140W | NOV 01/02 | 01 |
| *138J | NOV 01/02 | 01 | *140X | NOV 01/02 | 01 |
| *138K | NOV 01/02 | 01 | *140Y | NOV 01/02 | 01 |
| *138L | NOV 01/02 | 01 | *140Z | NOV 01/02 | 01 |
| *138M | NOV 01/02 | 01 | *141 | NOV 01/02 | 01 |
| *138N | NOV 01/02 | 01 | *142 | NOV 01/02 | 01 |
| *138O | NOV 01/02 | 01 | *142A | NOV 01/02 | 01 |
| *138P | NOV 01/02 | 01 | *142B | NOV 01/02 | 01 |
| *138Q | NOV 01/02 | 01 | *142C | NOV 01/02 | 01 |
| *138R | NOV 01/02 | 01 | *142D | NOV 01/02 | 01 |
| *138S | NOV 01/02 | 01 | *142E | NOV 01/02 | 01 |
| *138T | NOV 01/02 | 01 | *142F | NOV 01/02 | 01 |
| *138U | NOV 01/02 | 01 | *142G | NOV 01/02 | 01 |
| *138V | NOV 01/02 | 01 | *142H | NOV 01/02 | 01 |
| *138W | NOV 01/02 | 01 | *142I | NOV 01/02 | 01 |
| *138X | NOV 01/02 | 01 | *142J | NOV 01/02 | 01 |
| *138Y | NOV 01/02 | 01 | *142K | NOV 01/02 | 01 |
| *138Z | NOV 01/02 | 01 | *142L | NOV 01/02 | 01 |
| *139 | NOV 01/02 | 01 | *142M | NOV 01/02 | 01 |
| *140 | NOV 01/02 | 01 | *142N | NOV 01/02 | 01 |
| *140A | NOV 01/02 | 01 | *142O | NOV 01/02 | 01 |

* = REVISED, ADDED OR DELETED

25-71-01

EFFECTIVE PAGES
CONTINUED Page 6
01 Nov 01/02


BOEING
 COMPONENT
 MAINTENANCE MANUAL

| PAGE | DATE | CODE | PAGE | DATE | CODE |
|---------------------------|-----------|-------|---------------------------|-----------|-------|
| TESTING & FAULT ISOLATION | | CONT. | TESTING & FAULT ISOLATION | | CONT. |
| *142P | NOV 01/02 | 01 | *146B | NOV 01/02 | 01 |
| *142Q | NOV 01/02 | 01 | *146C | NOV 01/02 | 01 |
| *142R | NOV 01/02 | 01 | *146D | NOV 01/02 | 01 |
| *142S | NOV 01/02 | 01 | *146E | NOV 01/02 | 01 |
| *142T | NOV 01/02 | 01 | *146F | NOV 01/02 | 01 |
| *142U | NOV 01/02 | 01 | *146G | NOV 01/02 | 01 |
| *142V | NOV 01/02 | 01 | *146H | NOV 01/02 | 01 |
| *142W | NOV 01/02 | 01 | *146I | NOV 01/02 | 01 |
| *142X | NOV 01/02 | 01 | *146J | NOV 01/02 | 01 |
| *142Y | NOV 01/02 | 01 | *146K | NOV 01/02 | 01 |
| *142Z | NOV 01/02 | 01 | *146L | NOV 01/02 | 01 |
| *143 | NOV 01/02 | 01 | *146M | NOV 01/02 | 01 |
| *144 | NOV 01/02 | 01 | *146N | NOV 01/02 | 01 |
| *144A | NOV 01/02 | 01 | *146O | NOV 01/02 | 01 |
| *144B | NOV 01/02 | 01 | *146P | NOV 01/02 | 01 |
| *144C | NOV 01/02 | 01 | *146Q | NOV 01/02 | 01 |
| *144D | NOV 01/02 | 01 | *146R | NOV 01/02 | 01 |
| *144E | NOV 01/02 | 01 | *146S | NOV 01/02 | 01 |
| *144F | NOV 01/02 | 01 | *146T | NOV 01/02 | 01 |
| *144G | NOV 01/02 | 01 | *146U | NOV 01/02 | 01 |
| *144H | NOV 01/02 | 01 | *146V | NOV 01/02 | 01 |
| *144I | NOV 01/02 | 01 | *146W | NOV 01/02 | 01 |
| *144J | NOV 01/02 | 01 | *146X | NOV 01/02 | 01 |
| *144K | NOV 01/02 | 01 | *146Y | NOV 01/02 | 01 |
| *144L | NOV 01/02 | 01 | *146Z | NOV 01/02 | 01 |
| *144M | NOV 01/02 | 01 | *147 | NOV 01/02 | 01 |
| *144N | NOV 01/02 | 01 | *148 | NOV 01/02 | 01 |
| *144O | NOV 01/02 | 01 | *148A | NOV 01/02 | 01 |
| *144P | NOV 01/02 | 01 | *148B | NOV 01/02 | 01 |
| *144Q | NOV 01/02 | 01 | *148C | NOV 01/02 | 01 |
| *144R | NOV 01/02 | 01 | *148D | NOV 01/02 | 01 |
| *144S | NOV 01/02 | 01 | *148E | NOV 01/02 | 01 |
| *144T | NOV 01/02 | 01 | *148F | NOV 01/02 | 01 |
| *144U | NOV 01/02 | 01 | *148G | NOV 01/02 | 01 |
| *144V | NOV 01/02 | 01 | *148H | NOV 01/02 | 01 |
| *144W | NOV 01/02 | 01 | *148I | NOV 01/02 | 01 |
| *144X | NOV 01/02 | 01 | *148J | NOV 01/02 | 01 |
| *144Y | NOV 01/02 | 01 | *148K | NOV 01/02 | 01 |
| *144Z | NOV 01/02 | 01 | *148L | NOV 01/02 | 01 |
| *145 | NOV 01/02 | 01 | *148M | NOV 01/02 | 01 |
| *146 | NOV 01/02 | 01 | *148N | NOV 01/02 | 01 |
| *146A | NOV 01/02 | 01 | *148O | NOV 01/02 | 01 |

* = REVISED, ADDED OR DELETED

25-71-01EFFECTIVE PAGES
CONTINUED Page 7
01 Nov 01/02

| PAGE | DATE | CODE | PAGE | DATE | CODE |
|---------------------------|-----------|-------|---------------------------|-----------|-------|
| TESTING & FAULT ISOLATION | | CONT. | TESTING & FAULT ISOLATION | | CONT. |
| *148P | NOV 01/02 | 01 | *152B | NOV 01/02 | 01 |
| *148Q | NOV 01/02 | 01 | *152C | NOV 01/02 | 01 |
| *148R | NOV 01/02 | 01 | *152D | NOV 01/02 | 01 |
| *148S | NOV 01/02 | 01 | *152E | NOV 01/02 | 01 |
| *148T | NOV 01/02 | 01 | *152F | NOV 01/02 | 01 |
| *148U | NOV 01/02 | 01 | *152G | NOV 01/02 | 01 |
| *148V | NOV 01/02 | 01 | *152H | NOV 01/02 | 01 |
| *148W | NOV 01/02 | 01 | *152I | NOV 01/02 | 01 |
| *148X | NOV 01/02 | 01 | *152J | NOV 01/02 | 01 |
| *148Y | NOV 01/02 | 01 | *152K | NOV 01/02 | 01 |
| *148Z | NOV 01/02 | 01 | *152L | NOV 01/02 | 01 |
| *149 | NOV 01/02 | 01 | *152M | NOV 01/02 | 01 |
| *150 | NOV 01/02 | 01 | *152N | NOV 01/02 | 01 |
| *150A | NOV 01/02 | 01 | *152O | NOV 01/02 | 01 |
| *150B | NOV 01/02 | 01 | *152P | NOV 01/02 | 01 |
| *150C | NOV 01/02 | 01 | *152Q | NOV 01/02 | 01 |
| *150D | NOV 01/02 | 01 | *152R | NOV 01/02 | 01 |
| *150E | NOV 01/02 | 01 | *152S | NOV 01/02 | 01 |
| *150F | NOV 01/02 | 01 | *152T | NOV 01/02 | 01 |
| *150G | NOV 01/02 | 01 | *152U | NOV 01/02 | 01 |
| *150H | NOV 01/02 | 01 | *152V | NOV 01/02 | 01 |
| *150I | NOV 01/02 | 01 | *152W | NOV 01/02 | 01 |
| *150J | NOV 01/02 | 01 | *152X | NOV 01/02 | 01 |
| *150K | NOV 01/02 | 01 | *152Y | NOV 01/02 | 01 |
| *150L | NOV 01/02 | 01 | *152Z | NOV 01/02 | 01 |
| *150M | NOV 01/02 | 01 | *153 | NOV 01/02 | 01 |
| *150N | NOV 01/02 | 01 | *154 | NOV 01/02 | 01 |
| *150O | NOV 01/02 | 01 | *154A | NOV 01/02 | 01 |
| *150P | NOV 01/02 | 01 | *154B | NOV 01/02 | 01 |
| *150Q | NOV 01/02 | 01 | *154C | NOV 01/02 | 01 |
| *150R | NOV 01/02 | 01 | *154D | NOV 01/02 | 01 |
| *150S | NOV 01/02 | 01 | *154E | NOV 01/02 | 01 |
| *150T | NOV 01/02 | 01 | *154F | NOV 01/02 | 01 |
| *150U | NOV 01/02 | 01 | *154G | NOV 01/02 | 01 |
| *150V | NOV 01/02 | 01 | *154H | NOV 01/02 | 01 |
| *150W | NOV 01/02 | 01 | *154I | NOV 01/02 | 01 |
| *150X | NOV 01/02 | 01 | *154J | NOV 01/02 | 01 |
| *150Y | NOV 01/02 | 01 | *154K | NOV 01/02 | 01 |
| *150Z | NOV 01/02 | 01 | *154L | NOV 01/02 | 01 |
| *151 | NOV 01/02 | 01 | *154M | NOV 01/02 | 01 |
| *152 | NOV 01/02 | 01 | *154N | NOV 01/02 | 01 |
| *152A | NOV 01/02 | 01 | *154O | NOV 01/02 | 01 |

* = REVISED, ADDED OR DELETED

25-71-01

EFFECTIVE PAGES
 CONTINUED Page 8
 01 Nov 01/02


BOEING
 COMPONENT
 MAINTENANCE MANUAL

| PAGE | DATE | CODE | PAGE | DATE | CODE |
|---------------------------|-----------|-------|---------------------------|-----------|-------|
| TESTING & FAULT ISOLATION | | | TESTING & FAULT ISOLATION | | |
| | | CONT. | | | CONT. |
| *154P | NOV 01/02 | 01 | *158B | NOV 01/02 | 01 |
| *154Q | NOV 01/02 | 01 | *158C | NOV 01/02 | 01 |
| *154R | NOV 01/02 | 01 | *158D | NOV 01/02 | 01 |
| *154S | NOV 01/02 | 01 | | | |
| *154T | NOV 01/02 | 01 | REPAIR-GENERAL | | |
| *154U | NOV 01/02 | 01 | *601 | NOV 01/02 | 01 |
| *154V | NOV 01/02 | 01 | *602 | NOV 01/02 | 01 |
| *154W | NOV 01/02 | 01 | | | |
| *154X | NOV 01/02 | 01 | ILLUSTRATED PARTS LIST | | |
| *154Y | NOV 01/02 | 01 | *1001 | NOV 01/02 | 01 |
| *154Z | NOV 01/02 | 01 | *1002 | NOV 01/02 | 01 |
| *155 | NOV 01/02 | 01 | *1003 | NOV 01/02 | 01 |
| *156 | NOV 01/02 | 01 | *1004 | NOV 01/02 | 01 |
| *156A | NOV 01/02 | 01 | *1005 | NOV 01/02 | 01 |
| *156B | NOV 01/02 | 01 | *1006 | NOV 01/02 | 01 |
| *156C | NOV 01/02 | 01 | *1007 | NOV 01/02 | 01 |
| *156D | NOV 01/02 | 01 | *1008 | NOV 01/02 | 01 |
| *156E | NOV 01/02 | 01 | *1009 | NOV 01/02 | 01 |
| *156F | NOV 01/02 | 01 | *1010 | NOV 01/02 | 01 |
| *156G | NOV 01/02 | 01 | *1011 | NOV 01/02 | 01 |
| *156H | NOV 01/02 | 01 | *1012 | NOV 01/02 | 01 |
| *156I | NOV 01/02 | 01 | *1013 | NOV 01/02 | 01 |
| *156J | NOV 01/02 | 01 | *1014 | NOV 01/02 | 01 |
| *156K | NOV 01/02 | 01 | *1015 | NOV 01/02 | 01 |
| *156L | NOV 01/02 | 01 | *1016 | NOV 01/02 | 01 |
| *156M | NOV 01/02 | 01 | *1017 | NOV 01/02 | 01 |
| *156N | NOV 01/02 | 01 | *1018 | NOV 01/02 | 01 |
| *156O | NOV 01/02 | 01 | *1019 | NOV 01/02 | 01 |
| *156P | NOV 01/02 | 01 | *1020 | NOV 01/02 | 01 |
| *156Q | NOV 01/02 | 01 | *1021 | NOV 01/02 | 01 |
| *156R | NOV 01/02 | 01 | *1022 | NOV 01/02 | 01 |
| *156S | NOV 01/02 | 01 | *1023 | NOV 01/02 | 01 |
| *156T | NOV 01/02 | 01 | *1024 | NOV 01/02 | 01 |
| *156U | NOV 01/02 | 01 | *1025 | NOV 01/02 | 01 |
| *156V | NOV 01/02 | 01 | *1026 | NOV 01/02 | 01 |
| *156W | NOV 01/02 | 01 | *1027 | NOV 01/02 | 01 |
| *156X | NOV 01/02 | 01 | *1028 | NOV 01/02 | 01 |
| *156Y | NOV 01/02 | 01 | *1029 | NOV 01/02 | 01 |
| *156Z | NOV 01/02 | 01 | *1030 | NOV 01/02 | 01 |
| *157 | NOV 01/02 | 01 | *1031 | NOV 01/02 | 01 |
| *158 | NOV 01/02 | 01 | *1032 | NOV 01/02 | 01 |
| *158A | NOV 01/02 | 01 | *1033 | NOV 01/02 | 01 |

* = REVISED, ADDED OR DELETED

25-71-01

EFFECTIVE PAGES

CONTINUED Page 9

01 Nov 01/02

| PAGE | DATE | CODE | PAGE | DATE | CODE |
|------------------------|-----------|-------|------------------------|-----------|-------|
| ILLUSTRATED PARTS LIST | | CONT. | ILLUSTRATED PARTS LIST | | CONT. |
| *1034 | BLANK | | *1076 | NOV 01/02 | 01 |
| *1035 | NOV 01/02 | 01 | *1077 | NOV 01/02 | 01 |
| *1036 | NOV 01/02 | 01 | *1078 | NOV 01/02 | 01 |
| *1037 | NOV 01/02 | 01 | *1079 | NOV 01/02 | 01 |
| *1038 | NOV 01/02 | 01 | *1080 | NOV 01/02 | 01 |
| *1039 | NOV 01/02 | 01 | *1080A | NOV 01/02 | 01 |
| *1040 | NOV 01/02 | 01 | *1080B | NOV 01/02 | 01 |
| *1041 | NOV 01/02 | 01 | *1080C | NOV 01/02 | 01 |
| *1042 | NOV 01/02 | 01 | *1080D | NOV 01/02 | 01 |
| *1043 | NOV 01/02 | 01 | *1080E | NOV 01/02 | 01 |
| *1044 | NOV 01/02 | 01 | *1080F | NOV 01/02 | 01 |
| *1045 | NOV 01/02 | 01 | *1080G | NOV 01/02 | 01 |
| *1046 | NOV 01/02 | 01 | *1080H | NOV 01/02 | 01 |
| *1047 | NOV 01/02 | 01 | *1080I | NOV 01/02 | 01 |
| *1048 | NOV 01/02 | 01 | *1080J | NOV 01/02 | 01 |
| *1049 | NOV 01/02 | 01 | *1080K | BLANK | |
| *1050 | NOV 01/02 | 01 | *1080L | NOV 01/02 | 01 |
| *1051 | NOV 01/02 | 01 | *1080M | NOV 01/02 | 01 |
| *1052 | NOV 01/02 | 01 | *1080N | NOV 01/02 | 01 |
| *1053 | NOV 01/02 | 01 | *1080O | NOV 01/02 | 01 |
| *1054 | NOV 01/02 | 01 | *1080P | NOV 01/02 | 01 |
| *1055 | NOV 01/02 | 01 | *1080Q | NOV 01/02 | 01 |
| *1056 | NOV 01/02 | 01 | *1080R | NOV 01/02 | 01 |
| *1057 | NOV 01/02 | 01 | *1080S | NOV 01/02 | 01 |
| *1058 | NOV 01/02 | 01 | *1080T | NOV 01/02 | 01 |
| *1059 | NOV 01/02 | 01 | *1080U | NOV 01/02 | 01 |
| *1060 | NOV 01/02 | 01 | *1080V | NOV 01/02 | 01 |
| *1061 | NOV 01/02 | 01 | *1080W | NOV 01/02 | 01 |
| *1062 | NOV 01/02 | 01 | *1080X | NOV 01/02 | 01 |
| *1063 | NOV 01/02 | 01 | *1080Y | NOV 01/02 | 01 |
| *1064 | NOV 01/02 | 01 | *1080Z | NOV 01/02 | 01 |
| *1065 | NOV 01/02 | 01 | *1081 | NOV 01/02 | 01 |
| *1066 | NOV 01/02 | 01 | *1082 | NOV 01/02 | 01 |
| *1067 | NOV 01/02 | 01 | *1082A | NOV 01/02 | 01 |
| *1068 | NOV 01/02 | 01 | *1082B | NOV 01/02 | 01 |
| *1069 | NOV 01/02 | 01 | *1082C | NOV 01/02 | 01 |
| *1070 | NOV 01/02 | 01 | *1082D | NOV 01/02 | 01 |
| *1071 | NOV 01/02 | 01 | *1082E | NOV 01/02 | 01 |
| *1072 | NOV 01/02 | 01 | *1082F | NOV 01/02 | 01 |
| *1073 | NOV 01/02 | 01 | *1082G | NOV 01/02 | 01 |
| *1074 | NOV 01/02 | 01 | *1082H | NOV 01/02 | 01 |
| *1075 | NOV 01/02 | 01 | *1082I | NOV 01/02 | 01 |

* = REVISED, ADDED OR DELETED

25-71-01

EFFECTIVE PAGES
CONTINUED Page 10
01 Nov 01/02


BOEING
 COMPONENT
 MAINTENANCE MANUAL

| PAGE | DATE | CODE | PAGE | DATE | CODE |
|------------------------|-----------|-------|------------------------|-----------|-------|
| ILLUSTRATED PARTS LIST | | CONT. | ILLUSTRATED PARTS LIST | | CONT. |
| *1082J | NOV 01/02 | 01 | *1084X | NOV 01/02 | 01 |
| *1082K | NOV 01/02 | 01 | *1084Y | NOV 01/02 | 01 |
| *1082L | NOV 01/02 | 01 | *1084Z | NOV 01/02 | 01 |
| *1082M | NOV 01/02 | 01 | *1085 | NOV 01/02 | 01 |
| *1082N | NOV 01/02 | 01 | *1086 | NOV 01/02 | 01 |
| *1082O | NOV 01/02 | 01 | *1086A | NOV 01/02 | 01 |
| *1082P | NOV 01/02 | 01 | *1086B | NOV 01/02 | 01 |
| *1082Q | NOV 01/02 | 01 | *1086C | NOV 01/02 | 01 |
| *1082R | NOV 01/02 | 01 | *1086D | NOV 01/02 | 01 |
| *1082S | NOV 01/02 | 01 | *1086E | NOV 01/02 | 01 |
| *1082T | NOV 01/02 | 01 | *1086F | NOV 01/02 | 01 |
| *1082U | NOV 01/02 | 01 | *1086G | NOV 01/02 | 01 |
| *1082V | NOV 01/02 | 01 | *1086H | NOV 01/02 | 01 |
| *1082W | NOV 01/02 | 01 | *1086I | NOV 01/02 | 01 |
| *1082X | NOV 01/02 | 01 | *1086J | NOV 01/02 | 01 |
| *1082Y | NOV 01/02 | 01 | *1086K | NOV 01/02 | 01 |
| *1082Z | NOV 01/02 | 01 | *1086L | NOV 01/02 | 01 |
| *1083 | NOV 01/02 | 01 | *1086M | NOV 01/02 | 01 |
| *1084 | NOV 01/02 | 01 | *1086N | NOV 01/02 | 01 |
| *1084A | BLANK | | *1086O | NOV 01/02 | 01 |
| *1084B | NOV 01/02 | 01 | *1086P | NOV 01/02 | 01 |
| *1084C | NOV 01/02 | 01 | *1086Q | NOV 01/02 | 01 |
| *1084D | NOV 01/02 | 01 | *1086R | NOV 01/02 | 01 |
| *1084E | NOV 01/02 | 01 | *1086S | NOV 01/02 | 01 |
| *1084F | NOV 01/02 | 01 | *1086T | NOV 01/02 | 01 |
| *1084G | NOV 01/02 | 01 | *1086U | NOV 01/02 | 01 |
| *1084H | NOV 01/02 | 01 | *1086V | NOV 01/02 | 01 |
| *1084I | NOV 01/02 | 01 | *1086W | NOV 01/02 | 01 |
| *1084J | NOV 01/02 | 01 | *1086X | NOV 01/02 | 01 |
| *1084K | NOV 01/02 | 01 | *1086Y | NOV 01/02 | 01 |
| *1084L | NOV 01/02 | 01 | *1086Z | NOV 01/02 | 01 |
| *1084M | NOV 01/02 | 01 | *1087 | NOV 01/02 | 01 |
| *1084N | NOV 01/02 | 01 | *1088 | NOV 01/02 | 01 |
| *1084O | NOV 01/02 | 01 | *1088A | NOV 01/02 | 01 |
| *1084P | NOV 01/02 | 01 | *1088B | NOV 01/02 | 01 |
| *1084Q | NOV 01/02 | 01 | *1088C | NOV 01/02 | 01 |
| *1084R | NOV 01/02 | 01 | *1088D | NOV 01/02 | 01 |
| *1084S | NOV 01/02 | 01 | *1088E | NOV 01/02 | 01 |
| *1084T | NOV 01/02 | 01 | *1088F | NOV 01/02 | 01 |
| *1084U | NOV 01/02 | 01 | *1088G | NOV 01/02 | 01 |
| *1084V | NOV 01/02 | 01 | *1088H | NOV 01/02 | 01 |
| *1084W | NOV 01/02 | 01 | | | |

* = REVISED, ADDED OR DELETED

25-71-01

EFFECTIVE PAGES

LAST PAGE Page 11

01 Nov 01/02



TABLE OF CONTENTS

| <u>Paragraph Title</u> | <u>Page</u> |
|---------------------------------------|-------------|
| Description and Operation | 1 |
| Testing and Fault Isolation | 101 |
| Disassembly | .*[1] |
| Cleaning. | .*[1] |
| Check | .*[1] |
| Repair. | 601 |
| Assembly. | .*[1] |
| Fits and Clearances (not applicable) | |
| Special Tools | .*[2] |
| Illustrated Parts List. | 1001 |

*[1] Use applicable procedures in S0PM 20-11-04 and standard industry practices.
 *[2] Special instructions not required.



INTRODUCTION

The instructions in this manual provide the information necessary to perform maintenance functions including test, fault isolation, and replacement of defective components.

This manual is divided into separate sections:

- | | |
|--|------------------------------|
| 1. Title Page | 4. List of Effective Pages |
| 2. Record of Revisions | 5. Table of Contents |
| 3. Temporary Revision & Service Bulletin Record | 6. Introduction |
| | 7. Procedures & IPL Sections |

Refer to the Table of Contents for the page location of applicable sections.

An explanation of the use of the Illustrated Parts List is provided in the Introduction to that section.

All weights and measurements used in the manual are in English units, unless otherwise stated. When metric equivalents are given they will be in parentheses following the English units.

Design changes, optional parts, configuration differences and Service Bulletin modifications create alternate part numbers. These are identified in the Illustrated Parts List (IPL) by adding an alphabetical character to the basic item number. The resulting item number is called an alpha-variant. Throughout the manual, IPL basic item number references also apply to alpha-variants unless otherwise indicated.

Verification:

Testing/TS

25-71-01

INTRODUCTION

01

Page 1

Nov 01/02



ELECTRICAL SYSTEM (P50) CARD FILE ASSEMBLY
DESCRIPTION AND OPERATION

1. Description

- A. The Electrical System Card file (ESCF) function is to provide card mounting provision and interconnect wiring between card connectors and the airplane wire bundles. Therefore the P50 ESCF consists of wire bundles with all it's wires, diodes decals and miscellaneous other hard parts. The P50 ESCF is located in the right hand forward E/E bay lower lobe.

2. Operation

- A. The P50 ESCF provides interface for electronic control of systems such as but not limited to:

- (1) ECS Fan
- (2) IFE cooling
- (3) Flap/Stab position
- (4) Fuel Level Sensing
- (5) Air Hydraulic Pump Speed
- (6) Electronic Engine Control
- (7) Engine Speed Control
- (8) Bleed Air
- (9) Pack Flow
- (10) Pack Backup Temperature Control

25-71-01

DESCRIPTION & OPERATION

01

Page 1

Nov 01/02

TESTING AND FAULT ISOLATION

1. Testing

- A. Wire Lists of 285T0006 Electrical System Card File (ESCF) contained in Fig. 101 through 124 may be used with standard shop multimeter or ohmmeter to verify wire continuity from end-to-end, as necessary.

2. Fault Isolation

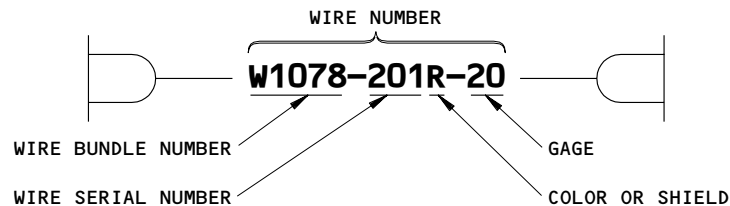
A. Wire List Definitions

(1) Wire Bundle Numbers

- (a) Each wire bundle is given an equipment number beginning with "W". This equipment number is the first part of the wire number and is derived from the wire bundle drawing number 286TXXXX. The four digits XXXX is the wire bundle number. The first part of the wire number thus becomes WXXX.

(2) WIRE NUMBERS:

- (a) A typical wire number for the 767 consists of the wire bundle number, wire serial number, gauge and color (if used) as shown in Fig. 100.



Wire Numbers
Figure 100

- (b) The wire numbers are physically printed or stamped on each wire and are also used on the Wiring Diagrams in the Wiring Diagram Manual to identify the wires.
- (3) WIRE TYP: The wire type column contains codes that specify the wire type. The relation of wire type codes to specification are shown in the Table 101 below:

N54338

25-71-01

TESTING & FAULT ISOLATION
01 Page 101
Nov 01/02

| EDP CODE | NUMBER OF CONDUCTORS | DESCRIPTION (Wire Part Number of Vendor Specification) |
|----------|----------------------|---|
| PA | 4 | BMS 13-48, Type X, Class 1 |
| PB | 4 | BMS 13-48, Type X, Class 2 |
| PH | 2 | BMS 13-48, Type X, Class 1 |
| PK | 2 | BMS 13-48, Type XI, Class 1 |
| PL | 2 | BMS 13-48, Tupe XI, Class 2 |
| PM | 2 | BMS 13-48, Type XI, Class 3 |
| PQ | 2 | BMS 13-48, Type III, Class 1 |
| PU | 2 | BMS 13-48, Type III, Class 1 |
| PV | 2 | BMS 13-48, Class VI, Clas 1 |
| PW | | BMS 13-48, Type VI, Class 2 |
| SL | 1 | Varglas Type HD or HP, Varflex |
| SY | 1 | Varglas, Varflex |
| UA | 1 | BMS 13-48, TYPe VIII, Class 1 |

Wire Part Number by Type Code
Table 101

- (4) FROM EQUIPMENT/TO EQUIPMENT: This column identifies the equipment that the wire goes "FROM" or "TO". This equipment consists of a NUMBER column, a TERM column and a TT column and their explanations are as follows:
- (a) The NUMBER column in the "FROM" or "TO" identifies the equipment the wire goes (from or to) and it may be a connector number (D...), a terminal board number (TB...), a splice number (SP..., SM...) or a ground number (GDX...).

25-71-01


BOEING
 COMPONENT
 MAINTENANCE MANUAL

- (b) The TERM column identifies a connector pin number, terminal reference numbers or letters or combination of letters and numbers. If the equipment item has identified wire terminating devices specified or implied, that symbol will be provided.
- 1) "DED" in the TERM column indicates the shield is dead-ended and not terminated by pigtail or jumper wire.
 - 2) Grounds in the TERM column are shown as A..., AC Ground; D..., DC Ground; S..., static, Shield or Special Ground.
- (c) The TT column or Termination Type column contains Codes indicating the type and the size of contact, splice, lug shield termination, etc. The definitions of these codes are listed below:
- 1) BJ: Block contact P/N M39029/11-145
 - 2) DL: Oversize Contact, #20 pin, #18 Barrel, Max gauge 18, P/N P-209553-D (optional 48-100-5014P-02)
 - 3) E : No. 10 Lug
 - 4) S : General purpose in line splice
 - 5) W : Moisture resistant closed end Splice
 - 6) Y : Cap & stow per D6-36911 after AWT test
 - 7) 2 : Contact module block, BACC47DE(), YHMM()
 - 8) 3 : SM099 (1-9)
 - 9) 9 : Lo-Temperature Moisture Seal D-436-()
 - 10) % : Max gauge 20, P/N M39029/11-145; INSTL BAC5162/STOW BAC5157
- (5) EMC/SEP: This is the wire separation column, see the REPAIR section for definitions and explanations.

25-71-01

TESTING & FAULT ISOLATION
 01 Page 103
 Nov 01/02

- (6) FT: This is the wire as shown in the column. A wire without a length will appear if it is part of a family of wires. The length for this particular wire is usually specified on the lowest wire number in that family group.
- (7) NOTES: This is a note codes column, these codes are used in the wire lists and their definitions are shown in the Table 102:

25-71-01TESTING & FAULT ISOLATION
01 Page 104
Nov 01/02


BOEING
 COMPONENT
 MAINTENANCE MANUAL

| NOTE CODE DEFINITION TABLE 102 | |
|-----------------------------------|---|
| NOTE CODE | NOTE TEXT |
| DAW | Install keying plug issued with connector after Hughes test is complete. |
| BAB | Designated ground. Test per SOPM 20-11-03. Maximum resistance SHALL NOT exceed 0.001 ohm. <u>NOTE:</u> Measure ground block from shell only - testing of individual wires is not required. |
| CAM | Critical maximum wire length is 6 inches from the ferrule to the ground. |
| EEC | Install the lug or contact on the wire per term type field. Temporarily protect the termination with unshrunk RT876. After test, stow this wire per SOPM 20-11-03. |
| ISL | The wire(s) in this sleeve must be sleeved full length between common equipment to maintain separation within the wire bundle. |
| ISY | The length called out for this sleeve is to the first breakout of the wires in this sleeve. Wire(s) must be sleeved full length. |
| JAB | Extend the shield terminations per D6-36911. |
| MLA | Contact PIN BACC47CN1A |
| MHA | End Cap 324484 (AMP INC. V00779) |
| MHE | Amp parallel splice 34137 (Amp Inc. V00779) shrink 1/4 inch diameter 1 inch long DWP125 sleeving over splice per SWPM 20-30-12. |
| MLA | Contact Pin BACC47CN1A |
| MNT | High density terminal block contact M39029/11-145. |
| MNU | Terminal block contact BACC47DE4 |

25-71-01

TESTING & FAULT ISOLATION

01

Page 105

Nov 01/02

NOTE CODE DEFINITION
 TABLE 102

| NOTE CODE | NOTE TEXT |
|-----------|--|
| MOT | No. 22 socket, contact P/N BACC47EK1 |
| MRA | Inner ferrule BACS13S058B |
| MSE | Outer ferrule BACS13S128C (shrink 1/4 in diameter Raychem RT876 sleeve over ferrule per BAC5157 during installation). |
| MVH | PD-70 sleeve for closed end splice 3/8 inch diameter 1 inch long. |
| MNT | High density terminal block contact M39029/11-145 |
| MNU | Terminal block contact BACC47DE4 |
| ISL | The wire(s) in this sleeve must be sleeved full length between common equipment to maintain separation within the wire bundle. |
| MZK | Reterminate this wire into new equipment. Testing is recommended for disturbed circuits, and may be accomplished per the applicable maintenance manual procedure, or per operators comparable procedure. |
| MZP | This splice is to be replaced in order to accommodate new wiring. |
| ZSZ | Wire added by service bulletin. Length and grouping should be researched. |

25-71-01

TESTING & FAULT ISOLATION

01

Page 106

Nov 01/02



BOEING
COMPONENT
MAINTENANCE MANUAL

| WIRE | | | FROM EQUIPMENT | | | TO EQUIPMENT | | | WIRE INFO | | | | |
|--------|----|-----|----------------|------|----|--------------|---------|------|-----------|---------|----|--------|--|
| NUMBER | GA | TYP | NUMBER | TERM | TT | WDM REF | NUMBER | TERM | TT | EMC/SEP | FT | NOTES | EFFECTIVITY |
| FRC | | | D04978J | | | 28-41-14 | D04978J | 32 | | L2 | | | VA711-VA712, VB302-VB302, VB371-VB373, VE021-VE023, VE061-VE062 |
| FRD | | | D04978J | | | 28-41-14 | D04978J | 50 | | L2 | | | VA711-VA712, VB302-VB302, VB371-VB373, VE021-VE023, VE061-VE062 |
| FRE | | | D04978J | | | 28-41-14 | D04978J | 52 | | L2 | | | VA711-VA712, VB302-VB302, VB371-VB373, VE021-VE023, VE061-VE062 |
| FRF | | | D04978J | | | 28-41-14 | D04978J | 33 | | L2 | | | VA711-VA712, VB302-VB302, VB371-VB373, VE021-VE023, VE061-VE062 |
| FRG | | | D04978J | | | 28-41-14 | D04978J | 35 | | L2 | | | VA711-VA712, VB302-VB302, VB371-VB373, VE021-VE023, VE061-VE062 |
| FRH | | | D04978J | | | 28-41-14 | D04978J | 53 | | L2 | | | VA711-VA712, VB302-VB302, VB371-VB373, VE021-VE023, VE061-VE062 |
| FRI | | | D04978J | | | 28-41-14 | D04978J | 55 | | L2 | | | VA711-VA712, VB302-VB302, VB371-VB373, VE021-VE023, VE061-VE062 |
| FRJ | | | D04978J | | | 28-41-14 | D04978J | 36 | | L2 | | | VA711-VA712, VB302-VB302, VB371-VB373, VE021-VE023, VE061-VE062 |
| PA1 | | | D03742 | 26 | | 99-99-99 | D03742 | 34 | | L2 | | DAW-B2 | |
| PB1 | | | D01884 | 25 | | 99-99-99 | D01884 | 35 | | L2 | | DAW-B2 | |
| PC1 | | | D03738 | 22 | | 99-99-99 | D03738 | 38 | | L2 | | DAW-B2 | |
| PD1 | | | D01886 | 23 | | 99-99-99 | D01886 | 37 | | L2 | | DAW-B2 | |
| PE1 | | | D02672 | 47 | | 27-58-21 | D02672 | 66 | | L2 | | DAW-B2 | |
| PF1 | | | D02160 | 7 | | 73-31-15 | D02160 | 40 | | L2 | | DAW-B2 | |
| PG1 | | | D10780 | 4 | | 28-41-14 | D10780 | 40 | | L2 | | DAW-B2 | VA711-VA712, VB302-VB302, VB371-VB373, VE021-VE023, VE061-VE062 |
| S03 | SL | | D01884 | | | | | | | R2 | 2 | ISL-F2 | |
| S29 | SL | | D04978J | | | | | | | R2 | 1 | ISL-F2 | |
| S34 | SY | | D02160 | | | | | | | R2 | 2 | ISY-F2 | |
| S65 | SL | | D08030J | | | | | | | R2 | 1 | ISL-F2 | VA001-VA300, VA704-VA800, VA807-VB050, VB201-VB250, VB281-VB320, VB371-VB400, VB421-VB440, VB451-VE084 |
| S65 | SY | | D08030J | | | | | | | R2 | 1 | ISY-F2 | VA701-VA703, VA801-VA806 |
| S66 | SL | | D10780 | | | | | | | L2 | | | VA711-VA712, VB302-VB302, VB371-VB373, VE021-VE023, VE061-VE062 |

286T1078-101
Wire Bundle Assembly
Figure 101 (Sheet 1)

25-71-01

| WIRE | | FROM EQUIPMENT | | | TO EQUIPMENT | | | WIRE INFO | | | | | |
|--------|----|----------------|---------|------|--------------|----------|---------|-----------|----|-------------|----|--------|---|
| NUMBER | GA | TYP | NUMBER | TERM | TT | WDM REF | NUMBER | TERM | TT | EMC/ SEP | FT | NOTES | EFFECTIVITY |
| 1 | 24 | | TB0158Y | A006 | BJ | 21-51-11 | D04978J | 6 | | L2 | 3 | | VA001-VA300, VA701-VB050, VB201-VB250, VB281-VB301, VB303-VB320, VB371-VB400, VB421-VB440, VB451-VE084 |
| 1 | 24 | PK | TB0158Y | A006 | BJ | 21-51-11 | D04978J | 6 | | L2 | 3 | ZSZ-B6 | VB302-VB302 |
| 2 | 22 | PA | D01884 | 21 | | 21-51-11 | GDX0001 | D.. | 2 | L2 | 3 | | VA001-VA300, VA701-VA719, VA800-VB050, VB201-VB250, VB281-VB284, VB301-VB320, VB371-VB400, VE001-VE003, VE021-VE043, VE061-VE069, VE083-VE084 |
| 3 | 24 | PK | D01884 | 13 | | 21-51-11 | TB0248Y | C004 | BJ | L2 | 4 | | |
| 4 | 24 | PK | D01884 | 14 | | 21-51-11 | D04978J | 19 | | L2 | 3 | | |
| 5 | 24 | PK | D01884 | 8 | | 21-51-11 | D04978J | 18 | | L2 | 3 | | |
| 6 | 24 | PK | D01884 | 7 | | 21-51-11 | D04978J | 17 | | L2 | 3 | | |
| 7 | 24 | PK | D01884 | 36 | | 21-51-11 | TB0158G | 3 | 2 | L2 | 4 | | VA001-VA020, VA701-VA719, VA801-VA810, VB001-VB002, VB201-VB202, VB281-VB284, VB301-VB302, VB371-VB373, VE001-VE003, VE021-VE023, VE041-VE043, VE061-VE069, VE083-VE084 |
| 7 | 24 | PK | D01884 | 36 | | 21-51-11 | TB0158Y | A004 | BJ | L2 | 4 | | VA021-VA300, VA720-VA800, VA811-VA999, VB003-VB050, VB203-VB250, VB285-VB300, VB303-VB320, VB374-VB400, VB421-VB440, VB451-VDS999, VE004-VE020, VE024-VE040, VE044-VE060, VE070-VE082 |
| 8 | 24 | PK | D01884 | 15 | | 21-51-21 | TB0158G | 4 | 2 | L2 | 4 | | VA001-VA020, VA701-VA719, VA801-VA810, VB001-VB002, VB201-VB202, VB281-VB284, VB301-VB302, VB371-VB373, VE001-VE003, VE021-VE023, VE041-VE043, VE061-VE069, VE083-VE084 |
| 8 | 24 | PK | D01884 | 15 | | 21-51-21 | TB0158Y | C004 | BJ | L2 | 4 | | VA021-VA300, VA720-VA800, VA811-VA999, VB003-VB050, VB203-VB250, VB285-VB300, VB303-VB320, VB374-VB400, VB421-VB440, VB451-VDS999, VE004-VE020, VE024-VE040, VE044-VE060, VE070-VE082 |
| 9 | 24 | PK | D01884 | 17 | | 21-51-11 | D04978J | 15 | | L2 | 3 | | |
| 10 | 24 | PK | D0S209J | 12 | | 31-51-42 | TB0182D | A019 | 2 | L2 | 3 | | |
| 11 | 24 | PK | D01886 | 39 | | 36-11-51 | SM0002 | | W | L2 | 3 | | |
| 12 | 24 | PK | D01884 | 3 | | 21-51-11 | TB0158G | 9 | 2 | L2 | 4 | | |
| 13 | 24 | PK | D02160 | 34 | | 73-21-11 | TB0182Y | C010 | BJ | L2 | 5 | | VA001-VA300, VA701-VB050, VB201-VB250, VB371-VB400, VE001-VE084 |

286T1078-101
Wire Bundle Assembly
Figure 101 (Sheet 2)

25-71-01



BOEING
COMPONENT
MAINTENANCE MANUAL

| WIRE | | | FROM EQUIPMENT | | | TO EQUIPMENT | | | WIRE INFO | | | | |
|--------|----|-----|----------------|------|----|--------------|---------|------|-----------|---------|----|-------|---|
| NUMBER | GA | TYP | NUMBER | TERM | TT | WDM REF | NUMBER | TERM | TT | EMC/SEP | FT | NOTES | EFFECTIVITY |
| 13 | 24 | PK | D02160 | 34 | | 73-21-11 | TB0182Y | C010 | BJ | L2 | 4 | | VB281-VB320 |
| 14 | 24 | PK | D01884 | 4 | | 21-51-11 | TB0158Y | C006 | BJ | L2 | 4 | | |
| 15 | 24 | PK | D01884 | 5 | | 21-51-11 | TB0158Y | A005 | BJ | L2 | 4 | | |
| 16 | 24 | PK | D01884 | 22 | | 21-51-11 | D04978J | 20 | | L2 | 3 | | |
| 17 | 24 | PK | D01884 | 1 | | 21-51-11 | D04978J | 21 | | L2 | 3 | | |
| 18 | 24 | PK | D01884 | 27 | | 21-51-11 | TB0182D | A023 | 2 | L2 | 4 | | |
| 19 | 24 | PK | D01884 | 6 | | 21-51-11 | TB0158F | C024 | 2 | L2 | 4 | | |
| 20 | 22 | PA | D01884 | 28 | | 21-51-11 | TB0182Y | C004 | BJ | L2 | 4 | | |
| 21 | 24 | PK | D01884 | 31 | | 21-25-11 | D04978J | 5 | | L2 | 3 | | |
| 22 | 24 | PK | D01884 | 9 | | 21-53-11 | D04978J | 24 | | L2 | 3 | | |
| 23 | 24 | PK | D01884 | 26 | | 21-53-12 | TB0158F | A012 | 2 | R2 | 4 | | |
| 24 | 24 | PK | D01884 | 19 | | 21-51-11 | TB0158Y | A006 | BJ | L2 | 4 | | |
| 25 | 24 | PK | D01884 | 2 | | 21-51-11 | D08068J | 20 | | L2 | 3 | | |
| 26 | 24 | PK | D01884 | 32 | | 73-21-15 | D02160 | 33 | | L2 | 3 | | VA001-VA001, VA801-VA810, VB001-VB002, VB301-VB301 |
| 26 | 24 | PK | D01884 | 32 | | 73-21-15 | TB0248X | D012 | BJ | L2 | 4 | | VA002-VA300, VA701-VA800, VA811-VA999, VE003-VB050, VE201-VB250, VB281-VB300, VB303-VB320, VB371-VB400, VB421-VB440, VB451-VE084 |
| 27 | 24 | PK | D01884 | 18 | | 73-21-15 | D02160 | 28 | | L2 | 3 | | VA001-VA020, VA701-VA719, VA801-VA810, VB001-VB002, VB201-VB202, VB281-VB284, VB301-VB302, VB371-VB373, VE001-VE003, VE021-VE023, VE041-VE043, VE061-VE069, VE083-VE084 |
| 28 | 22 | PA | D01884 | 10 | | 21-51-11 | TB0158G | 13 | 2 | L2 | 4 | | VA021-VA300, VA720-VA800, VA811-VA999, VE003-VB050, VE203-VB250, VB285-VB300, VB303-VB320, VB374-VB400, VB421-VB440, VB451-VE084, VE004-VE004, VE020, VE024-VE040, VE044-VE060, VE070-VE082 |
| 28 | 22 | PA | D01884 | 10 | | 21-51-11 | TB0158Y | A001 | BJ | L2 | 4 | | VA001-VA020, VA701-VA719, VA801-VA810, VB001-VB002, VB201-VB202, VB281-VB284, VB301-VB302, VB371-VB373, VE001-VE003, VE021-VE023, VE041-VE043, VE061-VE069, VE083-VE084 |
| 29 | 24 | PK | D02160 | 30 | | 73-21-15 | TB0158G | 10 | 2 | L2 | 4 | | |
| 30 | 24 | PK | D01884 | 12 | | 21-51-11 | TB0158G | 14 | 2 | L2 | 4 | | |

286T1078-101
Wire Bundle Assembly
Figure 101 (Sheet 3)

25-71-01

TESTING & FAULT ISOLATION

01

Page 109

Nov 01/02

| WIRE | | FROM EQUIPMENT | | | TO EQUIPMENT | | | WIRE INFO | | | | | |
|--------|----|----------------|---------|------|--------------|----------|---------|-----------|----|---------|----|-------|--|
| NUMBER | CA | TYP | NUMBER | TERM | TT | WDM REF | NUMBER | TERM | TT | EMC/SEP | FT | NOTES | EFFECTIVITY |
| 30 | 24 | PK | D01884 | 12 | | 21-51-11 | TB0158Y | C001 | BJ | L2 | 4 | | VA021-VA300, VA720-VA800, VA811-VA999, VB003-VB050, VB203-VB250, VB285-VB300, VB303-VB320, VB374-VB400, VB421-VB440, VB451-VD999, VE004-VE020, VE024-VE040, VE044-VE060, VE070-VE082 |
| 31 | 24 | PK | TB0158G | 3 | 2 | 21-51-11 | D04978J | 16 | | L2 | 3 | | VA001-VA020, VA701-VA719, VA801-VA810, VB001-VB002, VB201-VB202, VB281-VB284, VB301-VB302, VB371-VB373, VE001-VE003, VE021-VE023, VE041-VE043, VE061-VE069, VE083-VE084 |
| 31 | 24 | PK | TB0158Y | A004 | BJ | 21-51-11 | D04978J | 16 | | L2 | 4 | | VA021-VA300, VA720-VA800, VA811-VA999, VB003-VB050, VB203-VB250, VB285-VB300, VB303-VB320, VB374-VB400, VB421-VB440, VB451-VD999, VE004-VE020, VE024-VE040, VE044-VE060, VE070-VE082 |
| 32 | 24 | PK | TB0158G | 14 | 2 | 21-51-11 | D08112J | 15 | | L2 | 3 | | VA001-VA020, VA701-VA719, VA801-VA810, VB001-VB002, VB201-VB202, VB281-VB284, VB301-VB302, VB371-VB373, VE001-VE003, VE021-VE023, VE041-VE043, VE061-VE069, VE083-VE084 |
| 32 | 24 | PK | TB0158Y | C001 | BJ | 21-51-11 | D08112J | 15 | | L2 | 3 | | VA021-VA300, VA720-VA800, VA811-VA999, VB003-VB050, VB203-VB250, VB285-VB300, VB303-VB320, VB374-VB400, VB421-VB440, VB451-VD999, VE004-VE020, VE024-VE040, VE044-VE060, VE070-VE082 |
| 34 | 24 | PK | TB0158G | 9 | 2 | 21-51-11 | D04978J | 10 | | L2 | 3 | | VA001-VA001 |
| 35 | 24 | PK | D08068J | 48 | | SPARE | TB0158Y | A006 | BJ | L2 | 4 | | |
| 36 | 22 | PA | TB0182Y | C004 | BJ | 21-51-11 | D04978J | 23 | | L2 | 3 | | |
| 37 | 24 | PK | D08068J | 50 | | 21-51-11 | TB0158Y | C006 | BJ | L2 | 4 | | |
| 38 | 24 | PK | D03738 | 24 | | 21-51-23 | D08068J | 45 | | L2 | 3 | | |
| 39 | 22 | PA | TB0158G | 13 | 2 | 21-51-11 | D04978J | 22 | | L2 | 3 | | VA001-VA020, VA701-VA719, VA801-VA810, VB001-VB002, VB201-VB202, VB281-VB284, VB301-VB302, VB371-VB373, VE001-VE003, VE021-VE023, VE041-VE043, VE061-VE069, VE083-VE084 |
| 39 | 22 | PA | TB0158Y | A001 | BJ | 21-51-11 | D04978J | 22 | | L2 | 4 | | VA021-VA300, VA720-VA800, VA811-VA999, VB003-VB050, VB203-VB250, VB285-VB300, VB303-VB320, VB374-VB400, VB421-VB440, VB451-VD999, VE004-VE020, VE024-VE040, VE044-VE060, VE070-VE082 |

286T1078-101
Wire Bundle Assembly
Figure 101 (Sheet 4)

25-71-01



BOEING
COMPONENT
MAINTENANCE MANUAL

| WIRE | | | FROM EQUIPMENT | | | TO EQUIPMENT | | | WIRE INFO | | | | |
|--------|----|-----|----------------|------|----|--------------|---------|------|-----------|-------------|----|-------|--|
| NUMBER | GA | TYP | NUMBER | TERM | FT | WDM REF | NUMBER | TERM | TT | EMC/ SEP | FT | NOTES | EFFECTIVITY |
| 40 | 24 | PK | D03742 | 1 | | 21-25-11 | D04978J | 2 | | L2 | 3 | | |
| 41 | 22 | PA | D03742 | 3 | | 21-25-11 | GDX0001 | D.. | 2 | L2 | 3 | | |
| 42 | 24 | PK | D03742 | 24 | | 21-25-11 | D04978J | 1 | | L2 | 3 | | |
| 43 | 22 | PA | D03742 | 4 | | 21-25-11 | GDX0001 | D.. | 2 | L2 | 3 | | |
| 44 | 24 | PK | D03742 | 22 | | 21-25-11 | D04978J | 3 | | L2 | 3 | | |
| 45 | 24 | PK | D03742 | 23 | | 21-25-11 | D04978J | 4 | | L2 | 3 | | |
| 46 | 24 | PK | D03742 | 7 | | 21-26-11 | D08068J | 14 | | L2 | 3 | | VA001-VA001 VA002-VA300, VA701-VB050, VB201-VB250, VB281-VB320, VB371- VB400, VB421-VB440, VB451-VE084 |
| 46 | 24 | PK | D03742 | 7 | | 21-26-11 | D08068J | 50 | | L2 | 3 | | |
| 47 | 22 | PA | D03742 | 9 | | 21-26-11 | GDX0001 | D.. | 2 | L2 | 3 | | |
| 48 | 24 | PK | D03742 | 28 | | 21-26-11 | D08068J | 15 | | L2 | 3 | | |
| 49 | 24 | PK | D03742 | 8 | | 21-26-11 | D08068J | 18 | | L2 | 3 | | |
| 50 | 24 | PK | D03742 | 6 | | 21-26-11 | D08068J | 16 | | L2 | 3 | | |
| 51 | 24 | PK | D03742 | 27 | | 21-26-11 | D08068J | 19 | | L2 | 3 | | |
| 52 | 24 | PK | D03742 | 36 | | 21-26-11 | TB0158F | A017 | 2 | L2 | 4 | | |
| 53 | 24 | PK | D03742 | 13 | | 21-58-14 | D08112J | 33 | | L2 | 4 | | |
| 54 | 22 | PA | D03742 | 15 | | 21-58-14 | GDX0001 | D.. | 2 | L2 | 3 | | |
| 55 | 24 | PK | D03742 | 12 | | 21-58-14 | D08068J | 46 | | L2 | 3 | | VA001-VA300, VA701-VA712, VA801-VA810, VB001-VB050, VB201- VB202, VB281-VB284, VB301-VB302, VB371-VB373, VE001- VE002, VE024-VE068 |
| 55 | 24 | PK | TB0158G | 27 | 2 | 21-58-14 | D08068J | 46 | | L2 | 2 | | VA713-VA800, VA811-VA999, VB203-VB250, VB285-VB300, VB303- VB320, VB374-VB400, VB421-VB440, VB451-VD999, VE003- VE020, VE069-VE084 |
| 55 | 24 | PK | TB0158G | 27 | 2 | 21-58-14 | D08068J | 46 | | L2 | 2 | | VE021-VE023 |
| 55 | 24 | PK | TB0182Y | C006 | BJ | 21-58-14 | D08068J | 46 | | L2 | 3 | | |
| 56 | 24 | PK | D03742 | 33 | | 21-58-14 | D08112J | 10 | | L2 | 3 | | |
| 57 | 24 | PK | D03742 | 11 | | 21-58-14 | D08112J | 8 | | L2 | 3 | | |
| 58 | 24 | PK | D03742 | 32 | | 21-58-14 | D08112J | 11 | | L2 | 3 | | |
| 59 | 24 | PK | D03742 | 14 | | 21-58-14 | TB0158F | C017 | 2 | L2 | 4 | | |
| 60 | 24 | PK | D03742 | 31 | | 21-58-14 | D08112J | 7 | | L2 | 3 | | VA001-VA300, VA701-VA712, VA801-VA810, VB001-VB050, VB201- VB202, VB281-VB284, VB301-VB302, VB371-VB373, VE001- VE002, VE024-VE068 |
| 61 | 24 | PK | D01886 | 5 | | 36-11-51 | D08112J | 28 | | L2 | 3 | | |
| 62 | 24 | PK | D03742 | 35 | | 21-26-11 | D08112J | 13 | | L2 | 3 | | |

286T1078-101
Wire Bundle Assembly
Figure 101 (Sheet 5)

25-71-01

| WIRE | | | FROM EQUIPMENT | | | TO EQUIPMENT | | | WIRE INFO | | | | |
|--------|----|-----|----------------|------|----|--------------|---------|------|-----------|---------|----|-------|--------------|
| NUMBER | GA | TYP | NUMBER | TERM | TT | WDM REF | NUMBER | TERM | TT | EMC/SEP | FT | NOTES | EFFECTIVITY |
| 63 | 24 | PK | TB0158F | C020 | 2 | 21-58-14 | D03742 | 38 | | L2 | 4 | | |
| 64 | 24 | PK | D03738 | 19 | | 21-53-22 | D04978J | 30 | | L2 | 3 | | |
| 65 | 22 | PA | D03738 | 21 | | 21-53-22 | GDX0001 | D.. | 2 | L2 | 3 | | |
| 66 | 24 | PK | D03738 | 6 | | 21-53-22 | D04978J | 25 | | L2 | 3 | | |
| 67 | 24 | PK | D03738 | 3 | | 21-53-22 | TB0182X | C011 | BJ | L2 | 4 | | |
| 68 | 24 | PK | D03738 | 37 | | 21-53-22 | D04978J | 27 | | L2 | 3 | | |
| 69 | 24 | PK | D03738 | 36 | | 21-53-22 | D04978J | 28 | | L2 | 3 | | |
| 70 | 24 | PK | D03738 | 35 | | 21-53-22 | D04978J | 29 | | L2 | 3 | | |
| 71 | 24 | PK | D03738 | 8 | | 21-53-22 | TB0158F | C012 | 2 | L2 | 4 | | |
| 72 | 24 | PK | D03738 | 4 | | 21-53-22 | D08068J | 12 | | L2 | 3 | | |
| 73 | 24 | PK | D03738 | 10 | | 21-53-22 | D08068J | 13 | | L2 | 3 | | |
| 74 | 24 | PK | D03738 | 7 | | 21-53-22 | D08068J | 10 | | L2 | 3 | | |
| 75 | 24 | PK | D03738 | 11 | | 21-53-22 | D08068J | 11 | | L2 | 3 | | |
| 76 | 24 | PK | D03738 | 12 | | 21-53-22 | D08068J | 8 | | L2 | 3 | | |
| 77 | 24 | PK | D03738 | 9 | | 21-53-22 | D08068J | 9 | | L2 | 3 | | |
| 78 | 24 | PK | D03738 | 16 | | 21-53-22 | D08068J | 6 | | L2 | 3 | | |
| 79 | 24 | PK | D03738 | 14 | | 21-53-22 | D08068J | 5 | | L2 | 3 | | |
| 80 | 24 | PK | D03738 | 15 | | 21-53-22 | D08068J | 4 | | L2 | 3 | | |
| 81 | 24 | PK | D03738 | 13 | | 21-53-22 | D08068J | 3 | | L2 | 3 | | |
| 82 | 24 | PK | D03738 | 18 | | 21-53-22 | D08068J | 2 | | L2 | 3 | | |
| 83 | 24 | PK | D03738 | 17 | | 21-53-22 | D08068J | 1 | | L2 | 3 | | |
| 84 | 24 | PK | D03738 | 5 | | 21-53-22 | D08068J | 7 | | L2 | 3 | | |
| 85 | 22 | PA | D01886 | 22 | | 36-11-51 | SM00001 | | W | L2 | 3 | | |
| 86 | 22 | PA | D01886 | 41 | | 36-11-51 | D08068J | 42 | | L2 | 3 | | |
| 87 | 22 | PA | D01886 | 21 | | 36-11-51 | D08068J | 41 | | L2 | 3 | | |
| 90 | 24 | PK | D08068J | 55 | | 21-51-11 | TB0158Y | A005 | BJ | L2 | 4 | | VAA001-VA001 |
| 90 | 24 | PK | D08068J | 55 | | SPARE | TB0158Y | A005 | BJ | L2 | 4 | | VB283-VB284 |
| 92 | 24 | PK | D01886 | 24 | | 36-11-51 | D08068J | 25 | | L2 | 3 | | |
| 93 | 22 | PA | D01886 | 7 | | 36-11-51 | D08068J | 22 | | L2 | 3 | | |
| 94 | 24 | PK | D01886 | 38 | | 36-11-51 | TB0158Y | C005 | BJ | L2 | 4 | | |
| 95 | 24 | PK | D01886 | 34 | | 36-11-61 | D08068J | 34 | | L2 | 3 | | |
| 96 | 22 | PA | D01886 | 11 | | 36-11-51 | SM00004 | | W | L2 | 3 | | |
| 97 | 24 | PK | D01886 | 4 | | 36-11-51 | D08068J | 23 | | L2 | 3 | | |

286T1078-101
Wire Bundle Assembly
Figure 101 (Sheet 6)

25-71-01



BOEING
COMPONENT
MAINTENANCE MANUAL

| WIRE | | | FROM EQUIPMENT | | | TO EQUIPMENT | | | WIRE INFO | | | | |
|--------|----|-----|----------------|------|----|--------------|---------|------|-----------|---------|----|-------|--|
| NUMBER | GA | TYP | NUMBER | TERM | TT | WDM REF | NUMBER | TERM | TT | EMC/SEP | FT | NOTES | EFFECTIVITY |
| 98 | 22 | PA | D01886 | 16 | | 36-11-51 | SM00003 | | W | L2 | 3 | | |
| 99 | 22 | PA | D01886 | 2 | | 36-22-11 | D08030J | 44 | | L2 | 3 | | |
| 100 | 22 | PA | SM00006 | | W | 36-11-61 | D08068J | 31 | | L2 | 3 | | |
| 101 | 24 | PK | D01886 | 3 | | 36-11-61 | D08068J | 35 | | L2 | 3 | | |
| 102 | 22 | PA | SM00005 | | W | 36-11-61 | D08068J | 33 | | L2 | 3 | | |
| 103 | 24 | PK | D01886 | 13 | | 36-11-61 | D08068J | 32 | | L2 | 3 | | |
| 104 | 22 | PA | D01886 | 33 | | 36-11-61 | D08068J | 36 | | L2 | 3 | | |
| 105 | 24 | PK | D01886 | 28 | | 36-11-41 | TB0248Y | A003 | BJ | L2 | 4 | | |
| 106 | 24 | PK | TB0158Y | C005 | BJ | 36-11-51 | D08068J | 26 | | L2 | 3 | | |
| 107 | 24 | PK | TB0158Y | C005 | BJ | 36-11-51 | D08068J | 29 | | L2 | 3 | | |
| 108 | 22 | PA | TB0182Y | A002 | BJ | 21-58-11 | D04978J | 49 | | R2 | 3 | | VA001-VA001, VA711-VA712, VB302-VB302, VB371-VB373, VE021-VE023, VE041-VE068 |
| 108 | 22 | PA | TB0182Y | A002 | BJ | 21-58-11 | D04978J | 33 | | R2 | 3 | | VA002-VA300, VA701-VA710, VA801-VA810, VE001-VE050, VE201-VE202, VB281-VB284, VB301-VB301, VE001-VE002, VE024-VE040 |
| 108 | 22 | PA | TB0182Y | A002 | BJ | 21-58-11 | D08112J | 34 | | R2 | 2 | | VA713-VA800, VA811-VA999, VB203-VB250, VB285-VB300, VB303-VB320, VB374-VB400, VB421-VB440, VB451-VD999, VE003-VE020, VE069-VE084 |
| 109 | 22 | PA | D02160 | 19 | | 73-21-11 | GDX0001 | D.. | 2 | L2 | 4 | | |
| 110 | 24 | PK | D08068J | 47 | | 28-22-12 | TB0248X | D001 | BJ | L2 | 3 | | |
| 111 | 22 | PA | D02672 | 26 | | 27-41-11 | D05277J | 1 | | L2 | 3 | | VA001-VA020, VA701-VA712, VE001-VE002, VE201-VE202, VB301-VB302, VE001-VE002 |
| 111 | 22 | PA | D02672 | 26 | | 22-24-11 | D05277J | 1 | | L2 | 3 | | VA021-VA300, VA713-VA999, VE003-VE050, VE203-VE250, VE281-VB300, VB303-VB320, VB371-VB400, VB421-VB440, VB451-VD999, VE003-VE084 |
| 112 | 24 | PK | D02672 | 22 | | 22-12-11 | D05277J | 22 | | L2 | 3 | | |
| 113 | 24 | PK | D02672 | 23 | | 22-12-11 | D05277J | 23 | | L2 | 3 | | |
| 114 | 24 | PK | D08112J | 14 | | 21-51-11 | TB0248Y | C004 | BJ | L2 | 3 | | VA001-VA001, VA021-VA300, VA701-VA719, VA800-VA800, VA811-VA999, VE003-VE050, VE201-VE250, VB302-VB320, VB371-VB400, VE021-VE043, VE061-VE063, VE066-VE069 |
| 114 | 24 | PK | D08112J | 14 | | 21-51-11 | TB0248Y | CAP | Y | L2 | 3 | | VA002-VA020, VA801-VA810, VE001-VE002, VE281-VE284, VB301-VB301, VE001-VE003 |

286T1078-101
Wire Bundle Assembly
Figure 101 (Sheet 7)

25-71-01

| WIRE | | FROM EQUIPMENT | | | TO EQUIPMENT | | | WIRE INFO | | | | | |
|--------|----|----------------|---------|------|--------------|----------|---------|-----------|----|---------|----|--------|---|
| NUMBER | GA | TYP | NUMBER | TERM | TT | WDM REF | NUMBER | TERM | TT | EMC/SEP | FT | NOTES | EFFECTIVITY |
| 114 | 24 | PK | D08112J | 14 | | 21-51-11 | TB0248Y | CAP | Y | L2 | 3 | ZSZ-B6 | VE064-VE065, VE083-VE084 |
| 115 | 22 | PA | D02672 | 8 | | 27-58-21 | GDX0001 | A.. | 2 | L2 | 4 | | |
| 116 | 24 | PK | D03742 | 29 | | 21-26-11 | TB0158F | A020 | 2 | L2 | 3 | | |
| 117 | 24 | PK | D02672 | 7 | | 27-58-21 | D08030J | 29 | | L2 | 3 | | |
| 120 | 24 | PK | D02672 | 38 | | 22-12-11 | D05277J | 24 | | L2 | 3 | | |
| 121 | 24 | PK | D02672 | 39 | | 22-12-11 | D05277J | 25 | | L2 | 3 | | |
| 122 | 22 | PA | D02672 | 28 | | 73-21-19 | D08030J | 32 | | L2 | 3 | | |
| 123 | 22 | PA | D02160 | 17 | | 73-21-19 | D08030J | 17 | | L2 | 3 | | |
| 124 | 22 | PA | D02160 | 18 | | 73-21-19 | D08030J | 15 | | L2 | 3 | | |
| 125 | 22 | PA | D02160 | 50 | | 73-21-19 | D08030J | 14 | | R2 | 3 | | VA001-VA001 |
| 125 | 22 | PA | D02160 | 50 | | 73-21-19 | D08030J | 14 | | R2 | 4 | | VA002-VA300, VA704-VB050, VB201-VB250, VB281-VB320, VB371-VB400, VB421-VB440, VB451-VE084 |
| 125 | 22 | PA | D02160 | 50 | | 73-21-19 | TB0248Y | A009 | BJ | R2 | 4 | | VA701-VA703 |
| 126 | 22 | PA | D02160 | 16 | | 73-21-19 | D08030J | 30 | | L2 | 3 | | |
| 127 | 22 | PA | D02160 | 44 | | 73-21-17 | GDX0001 | D.. | 2 | L2 | 4 | | |
| 128 | 24 | PV | D02160 | 12 | | 73-21-17 | D08030J | 9 | | L2 | 3 | | |
| 128Z | | | D02160 | | | 73-21-17 | D08030J | | | L2 | | | |
| 129 | 24 | PV | D02160 | 45 | | 73-21-17 | TB0182X | B015 | BJ | L2 | 4 | | |
| 129Z | | | D02160 | | | 73-21-17 | TB0182X | A015 | BJ | L2 | | | |
| 130 | 24 | PK | D02160 | 9 | | 22-32-13 | D05277J | 11 | | L2 | 3 | | |
| 131 | 24 | PV | D02160 | 8 | | 73-21-11 | TB0248Z | 5 | BJ | L2 | 4 | | |
| 131Z | | | D02160 | | | 73-21-11 | TB0248Z | 6 | BJ | L2 | | | |
| 132 | 20 | UA | D02160 | | | 73-21-11 | GDX0001 | S.. | 2 | L2 | 4 | | |
| 133 | 24 | PV | D02160 | 4 | | 73-21-12 | D08030J | 6 | | L2 | 3 | | |
| 133Z | | | D02160 | | | 73-21-12 | D08030J | | | L2 | | | |
| 134 | 24 | PV | D02160 | 3 | | 73-21-12 | D08030J | 33 | | L2 | 3 | | |
| 134Z | | | D02160 | | | 73-21-12 | D08030J | | | L2 | | | |
| 135 | 24 | PK | D05209J | 20 | | 31-51-42 | TB0182D | A026 | 2 | L2 | 3 | | |
| 136 | 24 | PK | D08068J | 30 | | 36-11-41 | TB0248Y | A003 | BJ | L2 | 3 | | |
| 138 | 24 | PK | D02160 | 1 | | 73-21-17 | TB0182X | B011 | BJ | R2 | 4 | | VA001-VA001, VA701-VA704 |
| 140 | 24 | PK | D02160 | 35 | | 73-21-17 | D08030J | 36 | | L2 | 3 | | |
| 141 | 24 | PK | D02160 | 49 | | 73-21-16 | D08030J | 34 | | L2 | 3 | | |
| 142 | 24 | PV | D02160 | 53 | | 73-21-16 | D08030J | 8 | | L2 | 3 | | |

286T1078-101
Wire Bundle Assembly
Figure 101 (Sheet 8)

25-71-01



BOEING
COMPONENT
MAINTENANCE MANUAL

| WIRES | | | FROM EQUIPMENT | | | | TO EQUIPMENT | | | | WIRES INFO | | | |
|--------|----|-----|----------------|---------|----------|---------|--------------|---------|----|-------|---|--|--|--|
| NUMBER | GA | TYP | NUMBER | TERM TT | WDM REF | NUMBER | TERM TT | EMC/SEP | FT | NOTES | EFFECTIVITY | | | |
| 142Z | | | D02160 | | 73-21-16 | D08030J | | L2 | | | | | | |
| 143 | 24 | PK | D02160 | 48 | 22-32-13 | D05277J | 8 | L2 | 3 | | | | | |
| 144 | 24 | PK | D02160 | 56 | 73-21-17 | TB0182X | D012 | R2 | 4 | | | | | |
| 145 | 24 | PK | D02160 | 55 | 22-32-13 | D05277J | 10 | L2 | 3 | | | | | |
| 146 | 24 | PK | TB0182X | C012 | 73-21-17 | D08030J | 37 | R2 | 3 | | | | | |
| 149 | 24 | PV | TB0248Z | 7 | 73-21-11 | D08030J | 4 | L2 | 3 | | | | | |
| 149Z | | | TB0248Z | 8 | 73-21-11 | D08030J | | L2 | | | | | | |
| 150 | 24 | PV | D02160 | 46 | 73-21-17 | D08030J | 39 | L2 | 3 | | | | | |
| 150Z | | | D02160 | | 73-21-17 | D08030J | | L2 | | | | | | |
| 151 | 24 | PV | TB0182X | A012 | 73-21-16 | D08030J | 7 | L2 | 3 | | | | | |
| 151Z | | | TB0182X | D011 | 73-21-16 | D08030J | | L2 | | | | | | |
| 152 | 22 | PA | TB0248Y | A009 | 73-21-19 | D08030J | 14 | R2 | 3 | | VA701-VA703 | | | |
| 153 | 22 | PA | TB0182Y | C006 | 73-21-19 | D08030J | 31 | R2 | 3 | | VA701-VA703 | | | |
| 154 | 24 | PK | D03742 | 30 | 21-58-14 | D08112J | 29 | L2 | 3 | | VA001-VA300, VB001-VB050, VE024-VE060 | | | |
| 156 | 24 | PK | D08068J | 51 | 30-31-11 | TB0248Y | C013 | L2 | 3 | | VA002-VA300, VA701-VB050, VB201-VB250, VB281-VB320, VB371-VB400, VB421-VB440, VB451-VE084 | | | |
| 157 | 22 | PA | D08068J | 17 | 36-11-51 | TB0248X | B002 | L2 | 3 | | | | | |
| 158 | 24 | PK | D08068J | 52 | 30-34-11 | TB0248X | C002 | L2 | 3 | | VA001-VA300, VA701-VB050, VB201-VB250, VB281-VB320, VB371-VB400, VE001-VE084 | | | |
| 160 | 24 | PK | TB0182Y | C010 | 73-21-11 | D08030J | 16 | L2 | 3 | | VB421-VB440, VB451-VD999 | | | |
| 160 | 24 | PK | TB0182X | C027 | 73-21-11 | D08030J | 16 | L2 | 3 | | | | | |
| 161 | 24 | PK | D08112J | 22 | 73-21-18 | TB0182X | A008 | L2 | 3 | | | | | |
| 162 | 22 | PA | D02160 | 32 | 73-21-11 | GDX0001 | D.. | L2 | 4 | | | | | |
| 163 | 24 | PV | D02160 | 31 | 73-21-11 | TB0248Z | 7 | L2 | 4 | | | | | |
| 163Z | | | D02160 | | 73-21-11 | TB0248Z | 8 | L2 | | | | | | |
| 164 | 24 | PV | D02160 | 57 | 73-21-15 | D08030J | 13 | L2 | 3 | | | | | |
| 164Z | | | D02160 | | 73-21-15 | D08030J | | L2 | | | | | | |
| 165 | 24 | PK | D02160 | 27 | 22-32-13 | D05277J | 9 | L2 | 3 | | | | | |
| 166 | 24 | PV | D02160 | 61 | 73-21-15 | D08030J | 12 | L2 | 3 | | | | | |
| 166Z | | | D02160 | | 73-21-15 | D08030J | | L2 | | | | | | |
| 167 | 24 | PK | D02160 | 66 | 73-21-15 | TB0182Y | C005 | R2 | 4 | | | | | |
| 168 | 24 | PK | D02160 | 64 | 22-32-13 | D05277J | 12 | L2 | 3 | | | | | |
| 169 | 24 | PK | D02160 | 25 | 73-21-15 | TB0182Y | A006 | R2 | 4 | | | | | |

286T1078-101
Wire Bundle Assembly
Figure 101 (Sheet 9)

25-71-01

| WIRE | | FROM EQUIPMENT | | | TO EQUIPMENT | | | WIRE INFO | | | |
|--------|----|----------------|---------|---------|--------------|---------------|-----------|-----------|----|-------|--|
| NUMBER | GA | TYP | NUMBER | TERM TT | WDM REF | NUMBER | TERM TT | EMC/SEP | FT | NOTES | EFFECTIVITY |
| 170 | 24 | PK | D02160 | 23 | 73-21-15 | TB0182Y A003 | BJ | R2 | 4 | | |
| 172 | 24 | PV | D02160 | 52 | 73-21-11 | D08030J 5 | | L2 | 3 | | |
| 172Z | | | D02160 | | 73-21-11 | D08030J | | L2 | | | |
| 173 | 24 | PV | D02160 | 10 | 73-21-17 | D08030J 10 | | L2 | 3 | | |
| 173Z | | | D02160 | | 73-21-17 | D08030J | | L2 | | | |
| 176 | 24 | PK | D08112J | 25 | 36-11-52 | TB0248X A011 | BJ | L2 | 3 | | |
| 177 | 24 | PK | D08112J | 4 | 36-11-61 | D01886 17 | | L2 | 4 | | |
| 178 | 24 | PK | D02160 | 65 | 34-61-13 | TB0182Y A005 | BJ | L2 | 4 | | |
| 179 | 24 | PK | D02160 | 59 | 34-61-13 | TB0182Y A004 | BJ | L2 | 4 | | |
| 180 | 24 | PK | D02160 | 43 | 34-61-13 | TB0182Y A009 | BJ | L2 | 4 | | |
| 181 | 24 | PK | D02160 | 22 | 34-61-13 | TB0182Y C009 | BJ | L2 | 4 | | |
| 182 | 24 | PK | D02160 | 14 | 34-61-13 | TB0182Y A010 | BJ | L2 | 4 | | |
| 183 | 22 | PA | D02160 | 24 | 34-61-13 | GDX0001 D.. 2 | | L2 | 4 | | |
| 184 | 24 | PV | TB0158G | 1 | 34-61-13 | D05209J 1 | | R2 | 3 | | VA001-VA020, VA701-VA719, VA801-VA810, VB001-VB002, VB201-VB202, VB281-VB284, VB301-VB302, VB371-VB373, VE001-VE003, VE021-VE023, VE041-VE043, VE061-VE069, VE083-VE084 |
| 184 | 24 | PV | TB0158Y | A003 | BJ | 34-61-13 | D05209J 1 | R2 | 4 | | VA021-VA300, VA720-VA800, VA811-VA999, VB003-VB050, VB203-VB250, VB285-VB300, VB303-VB320, VB374-VB400, VB421-VB440, VB451-VD999, VE004-VE020, VE024-VE040, VE044-VE060, VE070-VE082 |
| 184Z | | | TB0158G | DED | | 34-61-13 | D05209J | L2 | | | VA001-VA020, VA701-VA719, VA801-VA810, VB001-VB002, VB201-VB202, VB281-VB284, VB301-VB302, VB371-VB373, VE001-VE003, VE021-VE023, VE041-VE043, VE061-VE069, VE083-VE084 |
| 184Z | | | TB0158Y | DED | | 34-61-13 | D05209J | L2 | | | VA021-VA300, VA720-VA800, VA811-VA999, VB003-VB050, VB203-VB250, VB285-VB300, VB303-VB320, VB374-VB400, VB421-VB440, VB451-VD999, VE004-VE020, VE024-VE040, VE044-VE060, VE070-VE082 |
| 185 | 24 | PV | TB0158G | 18 | 34-61-13 | D05209J 2 | | R2 | 3 | | |
| 185Z | | | TB0158G | DED | | 34-61-13 | D05209J | L2 | | | |
| 186 | 24 | PV | TB0158G | 21 | 34-61-13 | D05209J 3 | | R2 | 3 | | |
| 186Z | | | TB0158G | DED | | 34-61-13 | D05209J | L2 | | | |

286T1078-101
Wire Bundle Assembly
Figure 101 (Sheet 10)

25-71-01



BOEING
COMPONENT
MAINTENANCE MANUAL

| WIRE | | FROM EQUIPMENT | | | TO EQUIPMENT | | | WIRE INFO | | | | | |
|--------|----|----------------|---------|------|--------------|----------|---------|-----------|----|---------|----|-------|-------------|
| NUMBER | GA | TYP | NUMBER | TERM | TT | WDM REF | NUMBER | TERM | TT | EMC/SEP | FT | NOTES | EFFECTIVITY |
| 187 | 24 | PV | TB0158G | 22 | 2 | 34-61-13 | D05209J | 4 | | R2 | 3 | | |
| 187Z | | | TB0158G | DED | | 34-61-13 | D05209J | DED | | L2 | | | |
| 188 | 24 | PV | TB0158G | 23 | 2 | 34-61-13 | D05209J | 5 | | R2 | 3 | | |
| 188Z | | | TB0158G | DED | | 34-61-13 | D05209J | DED | | L2 | | | |
| 189 | 24 | PK | TB0182Y | A005 | BJ | 34-61-13 | D05209J | 6 | | L2 | 3 | | |
| 190 | 24 | PK | TB0182Y | A004 | BJ | 34-61-13 | D05209J | 7 | | L2 | 3 | | |
| 191 | 24 | PK | TB0182Y | A009 | BJ | 34-61-13 | D05209J | 8 | | L2 | 3 | | |
| 192 | 24 | PK | TB0182Y | C009 | BJ | 34-61-13 | D05209J | 9 | | L2 | 3 | | |
| 193 | 24 | PK | TB0182Y | A010 | BJ | 34-61-13 | D05209J | 10 | | L2 | 3 | | |
| 194 | 24 | PK | D02672 | 29 | | 27-58-21 | TB0248D | C017 | 2 | L2 | 4 | | |
| 195 | 24 | PK | D08112J | 5 | | 36-11-62 | TB0248X | B011 | BJ | L2 | 3 | | |
| 196 | 20 | VA | GDX0001 | S.. | 2 | 73-21-11 | D08030J | | | L2 | 2 | | |
| 197 | 22 | PA | D02672 | 43 | | 27-58-21 | GDX0001 | D.. | 2 | L2 | 3 | | |
| 198 | 22 | PA | TB0248D | A018 | 2 | 27-61-11 | D05277J | 16 | | L2 | 3 | | |
| 201B | 24 | PL | D02672 | 18 | | 27-58-31 | D08030J | 20 | | L2 | 3 | | |
| 201R | 24 | PL | D02672 | 17 | | 27-58-31 | D08030J | 21 | | L2 | | | |
| 202B | 24 | PL | D02672 | 21 | | 22-32-13 | D05277J | 21 | | L2 | 3 | | |
| 202R | 24 | PL | D02672 | 19 | | 22-32-13 | D05277J | 20 | | L2 | | | |
| 203B | 24 | PL | D02672 | 9 | | 27-58-21 | D08030J | 22 | | L2 | 3 | | |
| 203R | 24 | PL | D02672 | 10 | | 27-58-21 | D08030J | 23 | | L2 | | | |
| 204B | 22 | PB | D02672 | 41 | | 27-41-11 | D05277J | 5 | | L2 | 3 | | |
| 204R | 22 | PB | D02672 | 40 | | 27-41-11 | D05277J | 4 | | L2 | | | |
| 207B | 24 | PL | TB0158F | A019 | 2 | 27-51-31 | D08030J | 18 | | L2 | 3 | | |
| 207R | 24 | PL | TB0158F | C019 | 2 | 27-51-31 | D08030J | 19 | | L2 | | | |
| 208B | 24 | PL | D02672 | 35 | | 27-58-21 | D05277J | 32 | | L2 | 3 | | |
| 208R | 24 | PL | D02672 | 31 | | 27-58-21 | D05277J | 33 | | L2 | | | |
| 211B | 24 | PL | D08030J | 38 | | 77-12-12 | TB0182X | A007 | BJ | L2 | 3 | | |
| 211R | 24 | PL | D08030J | 40 | | 77-12-12 | TB0182X | B007 | BJ | L2 | | | |
| 212B | 24 | PL | D04978J | 38 | | 77-12-12 | TB0248X | A016 | BJ | L2 | 3 | | |
| 212R | 24 | PL | D04978J | 39 | | 77-12-12 | TB0248X | B016 | BJ | L2 | | | |
| 301B | 24 | PM | D02672 | 12 | | 27-58-21 | D08030J | 24 | | L2 | 3 | | |
| 301R | 24 | PM | D02672 | 13 | | 27-58-21 | D08030J | 25 | | L2 | | | |
| 301Y | 24 | PM | D02672 | 11 | | 27-58-21 | D08030J | 26 | | L2 | | | |

286T1078-101
Wire Bundle Assembly
Figure 101 (Sheet 11)

25-71-01

| WIRE | | | FROM EQUIPMENT | | | TO EQUIPMENT | | | WIRE INFO | | | | |
|--------|----|-----|----------------|------|----|--------------|---------|------|-----------|---------|----|-------|--|
| NUMBER | GA | TYP | NUMBER | TERM | TT | WDM REF | NUMBER | TERM | TT | EMC/SEP | FT | NOTES | EFFECTIVITY |
| 302B | 24 | PM | D02672 | 32 | | 27-58-21 | D05277J | 29 | | L2 | 3 | | |
| 302R | 24 | PM | D02672 | 33 | | 27-58-21 | D05277J | 30 | | L2 | | | |
| 302Y | 24 | PM | D02672 | 34 | | 27-58-21 | D05277J | 31 | | L2 | | | |
| 500 | 24 | PK | D01884 | 37 | | 21-51-11 | D01886 | 8 | | L2 | 2 | | |
| 501 | 24 | PK | D01884 | 38 | | 21-51-11 | D04978J | 9 | | L2 | 3 | | |
| 502 | 24 | PK | D01884 | 16 | | 21-51-11 | TB0158F | A025 | 2 | L2 | 4 | | |
| 503 | 24 | PK | TB0158F | C025 | 2 | 21-51-21 | D01886 | 10 | | L2 | 4 | | |
| 504 | 24 | PV | D02160 | 42 | | 73-21-11 | TB0248Z | 7 | BJ | L2 | 4 | | |
| 504Z | | | D02160 | | | 73-21-11 | TB0248Z | 8 | BJ | L2 | 4 | | |
| 505 | 24 | PK | D02160 | 11 | | 73-21-15 | TB0158G | 26 | 2 | L2 | 4 | | |
| 506 | 24 | PK | TB0158G | 26 | 2 | 34-61-13 | D05209J | 11 | | L2 | 3 | | |
| 509 | 24 | PK | D08068J | 39 | | 21-24-11 | TB0182X | A018 | BJ | L2 | 3 | | VB281-VB300, VE041-VE063, VE066-VE082 |
| 510 | 24 | PK | D08068J | 43 | | 21-24-11 | TB0182X | D018 | BJ | L2 | 3 | | VB281-VB300, VE041-VE063, VE066-VE082 |
| 512 | 24 | PK | D08068J | 53 | | 21-24-11 | TB0182X | C018 | BJ | L2 | 3 | | VB281-VB300, VE041-VE063, VE066-VE082 |
| 513 | 22 | PA | D08068J | 54 | | 21-24-11 | TB0182X | B018 | BJ | L2 | 3 | | VB281-VB300, VE041-VE063, VE066-VE082 |
| 514 | 24 | PK | D08068J | 37 | | 21-24-11 | TB0248Y | A013 | BJ | L2 | 3 | | VB281-VB300, VE041-VE063, VE066-VE082 |
| 515 | 24 | PK | D08068J | 38 | | 21-24-11 | TB0248Y | A013 | BJ | L2 | 3 | | VB281-VB300, VE041-VE063, VE066-VE082 |
| 517 | 24 | PK | TB0248X | A002 | BJ | 21-58-11 | D04978J | 13 | | L2 | 3 | | |
| 518 | 24 | PK | D01884 | 30 | | 21-53-12 | TB0182X | B012 | BJ | L2 | 4 | | |
| 520 | 24 | PK | TB0248D | C017 | 2 | 27-58-21 | TB0248D | C018 | 2 | L2 | 2 | | |
| 521 | 24 | PK | TB0248D | A017 | 2 | 34-46-12 | D05277J | 28 | | L2 | 3 | | |
| 522 | 24 | PK | D08030J | 3 | | 73-21-11 | TB0182Y | C010 | BJ | L2 | 3 | | VA001-VA300, VA701-VB050, VB201-VB250, VB281-VB320, VB371-VB400, VE001-VE084 |
| 522 | 24 | PK | D08030J | 3 | | 73-21-11 | TB0182X | C027 | BJ | L2 | 3 | | VB421-VB440, VB451-VD999 |
| 523 | 24 | PK | D08030J | 2 | | 73-21-11 | TB0182X | B027 | BJ | L2 | 3 | | VA713-VA800, VA811-VA999, VE203-VB250, VE285-VB300, VB303-VB320, VB374-VB400, VB421-VB440, VB451-VD999, VE003-VE020, VE069-VE084 |
| 524 | 24 | PK | D04978J | 8 | | 21-58-12 | TB0182X | A028 | BJ | L2 | 2 | | |
| 525 | 24 | PK | D04978J | 14 | | 21-58-12 | TB0182X | B028 | BJ | L2 | 2 | | VA713-VA800, VA811-VA999, VE203-VB250, VE285-VB300, VB303-VB320, VB374-VB400, VB421-VB440, VB451-VD999, VE003-VE020, VE069-VE084 |

286T1078-101
Wire Bundle Assembly
Figure 101 (Sheet 12)

25-71-01



BOEING
COMPONENT
MAINTENANCE MANUAL

| WIRE | | FROM EQUIPMENT | | | TO EQUIPMENT | | | WIRE INFO | | | | | |
|--------|----|----------------|---------|------|--------------|----------|---------|-----------|----|---------|----|----------------------------|--|
| NUMBER | GA | TYP | NUMBER | TERM | FT | WDM REF | NUMBER | TERM | TT | EMC/SEP | FT | NOTES | EFFECTIVITY |
| 526 | 24 | PK | D04978J | 37 | | 21-58-12 | TB0182X | C028 | BJ | L2 | 2 | | VA713-VA800, VA811-VA999, VB203-VB250, VB285-VB300, VB303-VB320, VB374-VB400, VB421-VB440, VB451-VD999, VE003-VE020, VE069-VE084 |
| 527 | 24 | PK | D03742 | 12 | | 21-58-14 | TB0158G | 27 | 2 | L2 | 3 | | VA713-VA800, VA811-VA999, VB203-VB250, VB285-VB300, VB303-VB320, VB374-VB400, VB421-VB440, VB451-VD999, VE003-VE020, VE069-VE084 |
| 527 | 24 | PK | D03742 | 12 | | 21-58-14 | TB0182Y | C006 | BJ | L2 | 3 | | VE021-VE023 |
| 532 | 24 | PK | D04978J | 48 | | 21-58-12 | TB0182X | D028 | BJ | L2 | 2 | | VA713-VA800, VA811-VA999, VB203-VB250, VB285-VB300, VB303-VB320, VB374-VB400, VB421-VB440, VB451-VD999, VE003-VE020, VE069-VE084 |
| 558 | 22 | PA | D05209J | 24 | | 34-45-13 | TB0158D | A028 | 2 | L2 | 3 | MLA-F2 MNU-T2 | VA002-VA020, VB001-VB002, VB281-VB284 |
| 558 | 22 | PA | D05209J | 24 | | 34-45-13 | TB0158D | A014 | 2 | L2 | 3 | | VA021-VA300, VA811-VA999, VB003-VB050, VB203-VB250, VB303-VB320, VB374-VB400, VE024-VE040 |
| 558 | 22 | PA | D05209J | 24 | | 34-45-13 | TB0158D | A014 | 2 | L2 | 4 | ZSZ-B6 | VA804-VA804 |
| 558 | 22 | PA | D05209J | 24 | | 34-45-13 | TB0158D | A08 | 2 | L2 | 3 | MLA-F2 MNU-T2 ZSZ-B6 | VE001-VE003 |
| 558 | 22 | PA | D05209J | 24 | | 34-45-13 | TB0158D | A028 | 2 | L2 | 3 | | VE063-VE063, VE066-VE066 |
| 600 | 22 | PA | D02672 | 44 | | 27-41-11 | D05277J | 15 | 3 | L2 | 3 | | VA002-VA300, VA713-VA999, VB003-VB050, VB203-VB250, VB281-VB300, VB303-VB320, VB371-VB400, VB421-VB440, VB451-VE060, VE069-VE082 |
| 600 | 22 | PA | D02672 | 44 | | 27-41-11 | D05277J | 15 | 3 | L2 | 3 | MLA-T2 MOT-F2 ZSZ-B6 | VE061-VE068, VE083-VE084 |
| 619 | 24 | PK | SP04012 | W | | 77-35-11 | D08030J | 45 | 3 | L2 | 3 | | VA021-VA299, VA720-VA799, VA811-VA999, VB003-VB050, VB203-VB250, VB285-VB300, VB303-VB320, VB374-VB400, VE004-VE020, VE024-VE040, VE044-VE060, VE070-VE082 |
| 619 | 24 | PK | SP04012 | W | | 77-35-11 | D08030J | 45 | 5 | L2 | 5 | MHE-F2 MLA-T2 | VA701-VA719, VB201-VB202, VB281-VB284, VB371-VB373 |

286T1078-101
Wire Bundle Assembly
Figure 101 (Sheet 13)

25-71-01

| WIRES | | FROM EQUIPMENT | | | TO EQUIPMENT | | | WIRE INFO | | | | | |
|--------|----|----------------|---------|------|--------------|----------|---------|-----------|----|---------|----|------------------|--|
| NUMBER | GA | TYP | NUMBER | TERM | TT | WDM REF | NUMBER | TERM | TT | EMC/SEP | FT | NOTES | EFFECTIVITY |
| 620 | 24 | PK | TB0248Y | C003 | BJ | 77-35-11 | D08030J | 47 | | L2 | 4 | | VA021-VA299, VA720-VA799, VA811-VA999, VB003-VB050, VB203-VB250, VB285-VB300, VB303-VB320, VB374-VB400, VE004-VE020, VE024-VE040, VE044-VE060, VE070-VE082 |
| 620 | 24 | PK | TB0248Y | C003 | BJ | 77-35-11 | D08030J | 47 | | L2 | 5 | MNU-F2 MLA-F2 | VA701-VA719, VB201-VB202, VB281-VB284, VB371-VB373 |
| 701 | 24 | PK | D08112J | 6 | | 36-22-11 | TB0248Y | C009 | BJ | L2 | 3 | | |
| 702 | 22 | PA | D08030J | 41 | | 36-22-11 | TB0248Y | A010 | BJ | L2 | 3 | | |
| 703 | 24 | PK | D08112J | 9 | | 36-22-11 | TB0248Y | A010 | BJ | L2 | 3 | | |
| 704 | 24 | PK | D08112J | 26 | | 73-21-11 | TB0248Y | C003 | BJ | L2 | 3 | | VA001-VA020, VA300-VA300, VA800-VA810, VB001-VB002, VB301-VB302, VB421-VB440, VB451-VE003, VE021-VE023, VE041-VE043, VE061-VE069, VE083-VE084 |
| 704 | 24 | PK | D08112J | 26 | | 73-21-11 | SP04012 | | W | L2 | 3 | | VA021-VA299, VA701-VA799, VA811-VA999, VB003-VB050, VB201-VB250, VB281-VB300, VB303-VB320, VB371-VB400, VE004-VE020, VE024-VE040, VE044-VE060, VE070-VE082 |
| 705 | 24 | PK | D08030J | .35 | | 74-31-11 | D02672 | 58 | | L2 | 3 | | VA001-VA020, VA300-VA300, VA701-VA712, VA800-VA810, VB201-VB202, VB301-VB302, VE021-VE023, VE064-VE065 |
| 707 | 22 | PA | TB0182Y | C004 | BJ | 21-51-11 | D04978J | 34 | | L2 | 3 | | |
| 708 | 24 | PK | D08112J | 19 | | 21-51-21 | TB0158G | 16 | 2 | L2 | 3 | | |
| 709 | 24 | PK | D08112J | 20 | | 21-51-21 | TB0182Y | C001 | BJ | L2 | 3 | | |
| 712 | 24 | PK | D08112J | 16 | | 21-51-11 | TB0182Y | C004 | BJ | L2 | 3 | | |
| 713 | 24 | PK | D08112J | 17 | | 21-51-11 | TB0158G | 13 | 2 | L2 | 3 | | VA001-VA020, VA701-VA719, VA801-VA810, VB001-VB002, VB201-VB202, VB281-VB284, VB301-VB302, VB371-VB373, VE001-VE003, VE021-VE023, VE041-VE043, VE061-VE069, VE083-VE084 |
| 713 | 24 | PK | D08112J | 17 | | 21-51-11 | TB0158Y | A001 | BJ | L2 | 3 | | VA021-VA300, VA720-VA800, VA811-VA999, VB003-VB050, VB203-VB250, VB285-VB300, VB303-VB320, VB374-VB400, VB421-VB440, VB451-VE099, VE004-VE020, VE024-VE040, VE044-VE060, VE070-VE082 |
| 718 | 24 | PK | D03742 | 25 | | 21-25-11 | D04978J | 12 | | L2 | 3 | | |
| 720 | 24 | PK | D08112J | 32 | | 21-58-11 | TB0182Y | A001 | BJ | L2 | 3 | | |

286T1078-101
Wire Bundle Assembly
Figure 101 (Sheet 14)

25-71-01



BOEING
COMPONENT
MAINTENANCE MANUAL

| WIRE | | | FROM EQUIPMENT | | | TO EQUIPMENT | | | WIRE INFO | | | | |
|--------|----|-----|----------------|------|----|--------------|---------|------|-----------|-------------|----|--------|--|
| NUMBER | GA | TYP | NUMBER | TERM | TT | WDM REF | NUMBER | TERM | TT | EMC/ SEP | FT | NOTES | EFFECTIVITY |
| 722 | 24 | PK | D08112J | 1 | | 21-58-14 | D03742 | 37 | | L2 | 3 | | VA001-VA300, VA701-VA712, VA801-VA810, VE001-VB050, VE201-VB202, VB281-VB284, VB301-VB302, VB371-VB373, VE001-VE002, VE024-VE068 |
| 723 | 24 | PK | D08112J | 2 | | 21-58-14 | TB0248X | D011 | BJ | L2 | 3 | | VA001-VA300, VA701-VB050, VE201-VB250, VE281-VB320, VB371-VB400, VB421-VB440, VB451-VE020, VE024-VE084 |
| 724 | 24 | PK | D08112J | 3 | | 21-58-15 | TB0248X | A012 | BJ | L2 | 3 | | VE021-VE023 |
| 724 | 24 | PK | D08112J | 3 | | 21-58-15 | TB0248Y | A009 | BJ | L2 | 3 | | |
| 725 | 24 | PK | D03742 | 2 | | 21-25-11 | TB0248D | A019 | 2 | L2 | 3 | | |
| 726 | 24 | PK | TB0248Y | C010 | BJ | 21-25-11 | TB0248D | C019 | 2 | L2 | 2 | | |
| 727 | 24 | PK | TB0248Y | C010 | BJ | 21-25-11 | D04978J | 7 | | L2 | 3 | | |
| 728 | 24 | PK | TB0248X | C011 | BJ | 21-26-11 | D08112J | 12 | | L2 | 3 | | |
| 729 | 24 | PK | TB0248Y | A004 | BJ | 73-21-11 | D08112J | 27 | | L2 | 3 | | VA001-VA020, VA300-VA300, VA800-VA810, VE001-VB002, VB301-VB302, VB421-VB440, VB451-VE003, VE021-VE023, VE041-VE043, VE061-VE069, VE083-VE084 |
| 729 | 24 | PK | SP04014 | | W | 73-21-11 | D08112J | 27 | | L2 | 3 | | VA021-VA299, VA720-VA799, VA811-VA999, VE003-VB050, VE203-VB250, VB285-VB300, VB303-VB320, VB374-VB400, VE004-VE020, VE024-VE040, VE044-VE060, VE070-VE082 |
| 729 | 24 | PK | SP04014 | | W | 73-21-11 | D08112J | 27 | | L2 | 3 | MHE-F2 | VA701-VA719, VB201-VB202, VE281-VB284, VB371-VB373 |
| 737 | 24 | PK | D01886 | 19 | | 36-11-51 | SM00002 | | W | L2 | 3 | | |
| 738 | 22 | PA | D01886 | 36 | | 36-11-51 | SM00003 | | W | L2 | 3 | | |
| 739 | 22 | PA | D01886 | 1 | | 36-11-51 | SM00001 | | W | L2 | 3 | | |
| 740 | 22 | PA | D08068J | 24 | | 36-11-51 | SM00001 | | W | L2 | 3 | | |
| 741 | 24 | PK | D08068J | 40 | | 36-11-51 | SM00002 | | W | L2 | 3 | | |
| 742 | 22 | PA | D08068J | 28 | | 36-11-51 | SM00003 | | W | L2 | 3 | | |
| 743 | 22 | PA | D08068J | 27 | | 36-11-51 | SM00004 | | W | L2 | 3 | | |
| 744 | 22 | PA | D01886 | 31 | | 36-11-51 | SM00004 | | W | L2 | 3 | | |
| 745 | 22 | PA | D01886 | 29 | | 36-11-61 | SM00005 | | W | L2 | 3 | | |
| 746 | 22 | PA | D01886 | 9 | | 36-11-61 | SM00005 | | W | L2 | 3 | | |
| 747 | 22 | PA | D01886 | 27 | | 36-11-61 | SM00006 | | W | L2 | 3 | | |
| 748 | 22 | PA | D01886 | 6 | | 36-11-61 | SM00006 | | W | L2 | 3 | | |
| 749 | 24 | PK | D04978J | 26 | | 21-58-11 | TB0248X | A001 | BJ | L2 | 4 | | |

286T1078-101
Wire Bundle Assembly
Figure 101 (Sheet 15)

25-71-01

TESTING & FAULT ISOLATION
01 Page 110K
Nov 01/02



COMPONENT
MAINTENANCE MANUAL

| WIRE | | FROM EQUIPMENT | | | TO EQUIPMENT | | | WIRE INFO | | | | | |
|--------|----|----------------|---------|------|--------------|----------|---------|-----------|----|---------|----|--------|--|
| NUMBER | GA | TYP | NUMBER | TERM | TT | WDM REF | NUMBER | TERM | TT | EMC/SEP | FT | NOTES | EFFECTIVITY |
| 751 | 24 | PK | D08068J | 21 | | 36-11-61 | D01886 | 25 | | L2 | 3 | | VA001-VA020, VA300-VA300, VA800-VA810, VE001-VE002, VE301-VE302, VB421-VB440, VB451-VE003, VE021-VE023, VE041-VE043, VE061-VE069, VE083-VE084 |
| 752 | 22 | PA | TB0248Y | A010 | BJ | 36-22-11 | D01886 | 35 | | L2 | 4 | | |
| 763 | 22 | PA | TB0248Y | C003 | BJ | 73-21-11 | D02160 | 20 | | L2 | 4 | | |
| 763 | 22 | PA | SP04012 | | W | 73-21-11 | D02160 | 20 | | L2 | 4 | | VA021-VA299, VA701-VA799, VA811-VA999, VE003-VE050, VE201-VE250, VB281-VE300, VB303-VE320, VB371-VE400, VE004-VE020, VE024-VE040, VE044-VE060, VE070-VE082 |
| 764 | 24 | PV | D08030J | 46 | | 73-21-11 | TB0248Z | 7 | BJ | L2 | 3 | | |
| 764Z | | | D08030J | 48 | | 73-21-11 | TB0248Z | 8 | BJ | L2 | | | |
| 765 | 24 | PK | D05209J | 15 | | 27-32-31 | TB0182D | A024 | 2 | L2 | 3 | | VA001-VA001, VA701-VA712, VB001-VE002, VE201-VE202, VE281-VE284, VE041-VE043, VE061-VE068 |
| 766 | 24 | PK | D08030J | 11 | | 27-51-31 | TB0158F | A024 | 2 | L2 | 3 | | |
| 767 | 24 | PK | D08030J | 42 | | 27-58-31 | D02672 | 52 | | L2 | 4 | | |
| 768 | 24 | PK | D10780 | 6 | | 28-41-14 | D04978J | 41 | | L2 | 3 | | VA711-VA712, VB302-VB302, VB371-VB373, VE021-VE023, VE061-VE062 |
| 769 | 24 | PK | D10780 | 20 | | 28-41-14 | D04978J | 42 | | L2 | 3 | | VA711-VA712, VB302-VB302, VB371-VB373, VE021-VE023, VE061-VE062 |
| 770 | 24 | PK | D10780 | 3 | | 28-41-14 | D04978J | 43 | | L2 | 3 | | VA711-VA712, VB302-VB302, VB371-VB373, VE021-VE023, VE061-VE062 |
| 771 | 22 | PA | D10780 | 5 | | 28-41-14 | GDX0001 | D.. | 2 | L2 | 3 | | VA711-VA712, VB302-VB302, VB371-VB373, VE021-VE023, VE061-VE062 |
| 772 | 22 | PQ | D10780 | 16 | | 28-41-14 | D04978J | 44 | | L2 | 3 | JAB-T6 | VA711-VA712, VB302-VB302, VB371-VB373, VE021-VE023, VE061-VE062 |
| 772Z | | | D10780 | 17 | | 28-41-14 | D04978J | 45 | | L2 | | | VA711-VA712, VB302-VB302, VB371-VB373, VE021-VE023, VE061-VE062 |
| 773 | 22 | PQ | D10780 | 12 | | 28-41-14 | D04978J | 51 | | L2 | 3 | JAB-T6 | VA711-VA712, VB302-VB302, VB371-VB373, VE021-VE023, VE061-VE062 |
| 773Z | | | D10780 | 13 | | 28-41-14 | D04978J | | | L2 | | | VA711-VA712, VB302-VB302, VB371-VB373, VE021-VE023, VE061-VE062 |
| 774 | 22 | PQ | D10780 | 15 | | 28-41-14 | D04978J | 46 | | L2 | 3 | JAB-B2 | VA711-VA712, VB302-VB302, VB371-VB373, VE021-VE023, VE061-VE062 |

286T1078-101
Wire Bundle Assembly
Figure 101 (Sheet 16)

25-71-01



BOEING
COMPONENT
MAINTENANCE MANUAL

| WIRE | | | FROM EQUIPMENT | | | TO EQUIPMENT | | | WIRE INFO | | | | |
|--------|----|-----|----------------|------|----|--------------|---------|------|-----------|---------|----|--------|--|
| NUMBER | GA | TYP | NUMBER | TERM | TT | WDM REF | NUMBER | TERM | TT | EMC/SEP | FT | NOTES | EFFECTIVITY |
| 774Z | | | D10780 | 14 | | 28-41-14 | D04978J | 47 | | L2 | | | VA711-VA712, VB302-VB373, VE021-VE023, VE061-VE062 |
| 775 | 22 | PQ | D10780 | 9 | | 28-41-14 | D04978J | 54 | | L2 | 3 | JAB-B2 | VA711-VA712, VB302-VB373, VE021-VE023, VE061-VE062 |
| 775Z | | | D10780 | 8 | | 28-41-14 | D04978J | | | L2 | | | VA711-VA712, VB302-VB373, VE021-VE023, VE061-VE062 |
| 778 | 24 | PK | D02160 | 33 | | 73-21-15 | TB0248X | C012 | BJ | L2 | 5 | | VA002-VA020, VA701-VA710, VB201-VB202, VB281-VB284, VE001-VE002 |
| 778 | 24 | PK | D02160 | 33 | | 73-21-15 | TB0248X | C012 | BJ | L2 | 4 | | VA021-VA300, VA711-VA800, VA811-VA999, VE003-VE050, VE203-VE250, VB285-VB300, VB302-VB320, VB371-VB400, VB421-VB440, VB451-VD999, VE003-VE084 |
| 779 | 24 | PK | D02672 | 14 | | 31-31-21 | D05209J | 18 | | L2 | 4 | | VB371-VB400, VE041-VE060 |
| 780 | 24 | PK | D02672 | 16 | | 31-31-21 | D05209J | 19 | | L2 | 4 | | VB371-VB400, VE041-VE060 |
| 901 | 24 | PK | D08112J | 18 | | 21-58-11 | TB0182X | B011 | BJ | L2 | 3 | | VA021-VA300, VA720-VA800, VA811-VA999, VE003-VE050, VE203-VE250, VB285-VB300, VB302-VB320, VB371-VB400, VB421-VB440, VB451-VD999, VE004-VE020, VE024-VE040, VE044-VE060, VE070-VE082 |
| 901 | 24 | PK | D08112J | 18 | | 21-58-11 | TB0182X | B011 | BJ | L2 | 3 | ZSZ-B6 | VE083-VE084 |

286T1078-101
Wire Bundle Assembly
Figure 101 (Sheet 17)

25-71-01



COMPONENT
MAINTENANCE MANUAL

| WIRE | | | FROM EQUIPMENT | | | | TO EQUIPMENT | | | | WIRE INFO | | | |
|--------|----|-----|----------------|------|----|----------|--------------|------|----|---------|-----------|--------|---|--|
| NUMBER | CA | TYP | NUMBER | TERM | TT | WDM REF | NUMBER | TERM | TT | EMC/SEP | FT | NOTES | EFFECTIVITY | |
| FRD | | | D04978J | | | 28-41-14 | D04978J | 32 | | L2 | | | VA511-VA513, VB055-VB055, VB111-VB121, VB323-VB324 | |
| FRD | | | D04978J | | | 28-41-14 | D04978J | 50 | | L2 | | | VA511-VA513, VB055-VB055, VB111-VB121, VB323-VB324 | |
| FRD | | | D04978J | | | 28-41-14 | D04978J | 52 | | L2 | | | VA511-VA513, VB055-VB055, VB111-VB121, VB323-VB324 | |
| FRF | | | D04978J | | | 28-41-14 | D04978J | 33 | | L2 | | | VA511-VA513, VB055-VB055, VB111-VB121, VB323-VB324 | |
| FRG | | | D04978J | | | 28-41-14 | D04978J | 35 | | L2 | | | VA511-VA513, VB055-VB055, VB111-VB121, VB323-VB324 | |
| FRH | | | D04978J | | | 28-41-14 | D04978J | 53 | | L2 | | | VA511-VA513, VB055-VB055, VB111-VB121, VB323-VB324 | |
| FRJ | | | D04978J | | | 28-41-14 | D04978J | 55 | | L2 | | | VA511-VA513, VB055-VB055, VB111-VB121, VB323-VB324 | |
| FRJ | | | D04978J | | | 28-41-14 | D04978J | 36 | | L2 | | | VA511-VA513, VB055-VB055, VB111-VB121, VB323-VB324 | |
| PA1 | | | D03742 | 26 | | 99-99-99 | D03742 | 34 | | L2 | | DAW-B2 | | |
| PB1 | | | D01884 | 25 | | 99-99-99 | D01884 | 35 | | L2 | | DAW-B2 | | |
| PC1 | | | D03738 | 22 | | 99-99-99 | D03738 | 38 | | L2 | | DAW-B2 | | |
| PD1 | | | D01886 | 23 | | 36-11-51 | D01886 | 37 | | L2 | | DAW-B2 | VA301-VA700, VB051-VB200, VB251-VB280, VB321-VB330, VB401-VB410, VE101-VE120 | |
| PD1 | | | D01886 | 41 | | 36-11-51 | D01886 | 63 | | L2 | | DAW-B2 | VB331-VB332, VE121-VE126, VE141-VB151, VF001-VF002, VF021-VF042, VF051-VF051 | |
| PD1 | | | D01886 | 9 | | 36-11-51 | D01886 | 51 | | L2 | | DAW-B2 | VB333-VB370, VB441-VB450, VE127-VE140, VE152-VE170, VF003-VF010, VF043-VF050, VF052-VF060, VF171-VF180, VF251-VF260 | |
| PE1 | | | D02672 | 47 | | 27-58-21 | D02672 | 66 | | L2 | | DAW-B2 | | |
| PF1 | | | D02160 | 6 | | 73-21-15 | D02160 | 65 | | L2 | | DAW-B2 | | |
| PG1 | | | D10780 | 4 | | 28-41-14 | D10780 | 40 | | L2 | | DAW-B2 | VA511-VA513, VB055-VB055, VB111-VB121, VB323-VB324 | |
| S03 | | SL | D01884 | | | | | | | L2 | 2 | ISL-F2 | | |
| S29 | | SL | D04978J | | | | | | | R2 | 1 | ISL-F2 | VA301-VA315, VA501-VA519, VB051-VB055, VB101-VB123, VB251-VB253, VB321-VB324, VB401-VB401, VE101-VE103, VE116-VE117 | |

286T1078-102
Wire Bundle Assembly
Figure 102 (Sheet 1)

25-71-01



BOEING
COMPONENT
MAINTENANCE MANUAL

| WIRE | | | FROM EQUIPMENT | | | | TO EQUIPMENT | | | | WIRE INFO | | | |
|--------|----|-----|----------------|------|----|----------|--------------|------|----|---------|-----------|--------|--|--|
| NUMBER | GA | TYP | NUMBER | TERM | TT | WDM REF | NUMBER | TERM | TT | EMC/SEP | FT | NOTES | EFFECTIVITY | |
| S29 | | SL | D08112J | | | | | | | R2 | 1 | ISL-F2 | VA316-VA500, VA520-VA700, VB056-VB100, VB124-VB200, VB254-VB280, VB325-VB370, VB402-VB441-VB450, VE104-VE115, VE118-VE170, VF001-VF010, VF021-VF060, VF171-VF180, VF251-VF260 | |
| S34 | | SY | D02160 | | | | | | | R2 | 1 | ISY-F2 | VA511-VA513, VB055-VB055, VB111-VB121, VB323-VB324 | |
| S35 | | SL | D10780 | | | | | | | L2 | | | | |
| 1 | 24 | PK | TB0158Y | A006 | BJ | 21-51-11 | D04978J | 6 | | L2 | 3 | | VA301-VA700, VB051-VB200, VB251-VB280, VB321-VB370, VB401-VB410, VB441-VB450, VE101-VE170, VF001-VF010, VF021-VF040, VF171-VF180 | |
| 1 | 24 | PK | D01884 | 19 | | 21-51-11 | D04978J | 6 | | L2 | 3 | | VF041-VF060 | |
| 1 | 24 | PK | TB0158Y | A006 | BJ | 21-51-11 | D04978J | 6 | | L2 | 2 | | VF251-VF260 | |
| 2 | 22 | PA | D01884 | 21 | | 21-51-11 | GDX0001 | D.. | 2 | L2 | 3 | | VA301-VA700, VB051-VB100, VB102-VB200, VB251-VB280, VB321-VB370, VB401-VB410, VB441-VB450, VE101-VE170, VF001-VF010, VF021-VF060, VF171-VF180 | |
| 2 | 22 | PA | D01884 | 21 | | 21-51-11 | GDX0001 | D.. | 2 | L2 | 3 | ZSZ-B6 | VB101-VB101 | |
| 2 | 22 | PA | D01884 | 21 | | 21-51-11 | GDX0001 | D.. | 2 | L2 | 2 | | VF251-VF260 | |
| 3 | 24 | PK | D01884 | 13 | | 21-51-11 | TB0248Y | C004 | BJ | L2 | 4 | | VA301-VA530, VA700-VA700, VB051-VB100, VB102-VB200, VB251-VB280, VB321-VB370, VB401-VB410, VE101-VE104, VE116-VE117, VE121-VE126, VE141-VE146, VF001-VF002, VF041-VF042, VF051-VF051 | |
| 3 | 24 | PK | D01884 | 13 | | 21-51-11 | TB0248Y | C004 | 3 | L2 | 4 | ZSZ-B6 | VB101-VB101 | |
| 4 | 24 | PK | D01884 | 14 | | 21-51-11 | D04978J | 19 | | L2 | 3 | | VA301-VA700, VB051-VB200, VB251-VB280, VB321-VB370, VB401-VB410, VB441-VB450, VE101-VE170, VF001-VF010, VF021-VF060, VF171-VF180 | |
| 4 | 24 | PK | D01884 | 14 | | 21-51-11 | D04978J | 19 | | L2 | 2 | | VF251-VF260 | |
| 5 | 24 | PK | D01884 | 8 | | 21-51-11 | D04978J | 18 | | L2 | 3 | | VA301-VA700, VB051-VB200, VB251-VB280, VB321-VB370, VB401-VB410, VB441-VB450, VE101-VE170, VF001-VF010, VF021-VF060, VF171-VF180 | |
| 5 | 24 | PK | D01884 | 8 | | 21-51-11 | D04978J | 18 | | L2 | 2 | | VF251-VF260 | |

286T1078-102
Wire Bundle Assembly
Figure 102 (Sheet 2)

25-71-01

| WIRE | | | FROM EQUIPMENT | | | | TO EQUIPMENT | | | | WIRE INFO | | | |
|--------|----|-----|----------------|------|----|----------|--------------|------|----|---------|-----------|--------|---|--|
| NUMBER | GA | TYP | NUMBER | TERM | TT | WDM REF | NUMBER | TERM | TT | EMC/SEP | FT | NOTES | EFFECTIVITY | |
| 6 | 24 | PK | D01884 | 7 | | 21-51-11 | D04978J | 17 | | L2 | 3 | | VA301-VA700, VB051-VB100, VB102-VB200, VB251-VB280, VB321-VB370, VB401-VB410, VB441-VB450, VE101-VE170, VF001-VF010, VF021-VF060, VF171-VF180 | |
| 6 | 24 | PK | D01884 | 7 | | 21-51-11 | TE0158Y | A21 | 3 | L2 | 3 | ZSZ-B6 | VB101-VB101 | |
| 6 | 24 | PK | D01884 | 7 | | 21-51-11 | D04978J | 17 | | L2 | 2 | | VF251-VF260 | |
| 7 | 24 | PK | D01884 | 36 | | 21-51-11 | TE0158G | 3 | 2 | L2 | 4 | | VA301-VA315, VA501-VA530, VB051-VB055, VB101-VB125, VB251-VB253, VB321-VB330, VB401-VB401, VE101-VE104, VE116-VE117, VE121-VE126, VE141-VE146, VF001-VF002, VF041-VF042, VF051-VF051 | |
| 7 | 24 | PK | D01884 | 36 | | 21-51-11 | TE0158Y | A004 | BJ | L2 | 4 | | VA316-VA500, VA531-VA700, VB056-VB100, VB126-VB200, VB254-VB280, VB331-VB370, VB402-VB410, VB441-VB450, VE105-VE115, VE118-VE120, VE127-VE140, VE147-VE170, VF003-VF010, VF021-VF040, VF043-VF050, VF052-VF060, VF171-VF180 | |
| 7 | 24 | PK | D01884 | 36 | | 21-51-11 | TE0158Y | A004 | BJ | L2 | 3 | | VF251-VF260 | |
| 8 | 24 | PK | D01884 | 15 | | 21-51-21 | TE0158G | 4 | 2 | L2 | 4 | | VA301-VA315, VA501-VA530, VB051-VB055, VB101-VB125, VB251-VB253, VB321-VB330, VB401-VB401, VE101-VE104, VE116-VE117, VE121-VE126, VE141-VE146, VF001-VF002, VF041-VF042, VF051-VF051 | |
| 8 | 24 | PK | D01884 | 15 | | 21-51-21 | TE0158Y | C004 | BJ | L2 | 4 | | VA316-VA500, VA531-VA700, VB056-VB100, VB126-VB200, VB254-VB280, VB331-VB370, VB402-VB410, VB441-VB450, VE105-VE115, VE118-VE120, VE127-VE140, VE147-VE170, VF003-VF010, VF021-VF040, VF043-VF050, VF052-VF060, VF171-VF180 | |
| 8 | 24 | PK | D01884 | 15 | | 21-51-21 | TE0158Y | C004 | BJ | L2 | 3 | | VF251-VF260 | |
| 9 | 24 | PK | D01884 | 17 | | 21-51-11 | D04978J | 15 | | L2 | 3 | | VA301-VA700, VB051-VB200, VB251-VB280, VB321-VB370, VB401-VB410, VB441-VB450, VE101-VE170, VF001-VF010, VF021-VF060, VF171-VF180 | |
| 9 | 24 | PK | D01884 | 17 | | 21-51-11 | D04978J | 15 | | L2 | 2 | | VF251-VF260 | |

286T1078-102
Wire Bundle Assembly
Figure 102 (Sheet 3)

25-71-01

TESTING & FAULT ISOLATION
01 Page 110P
Nov 01/02



BOEING
COMPONENT
MAINTENANCE MANUAL

| WIRE | | FROM EQUIPMENT | | | TO EQUIPMENT | | | WIRE INFO | | | | | |
|--------|----|----------------|---------|------|--------------|----------|---------|-----------|----|---------|----|--------|---|
| NUMBER | GA | TYP | NUMBER | TERM | TT | WDM REF | NUMBER | TERM | TT | EMC/SEP | FT | NOTES | EFFECTIVITY |
| 10 | 24 | PK | D05209J | 12 | | 31-51-42 | TB0182D | A019 | 2 | L2 | 3 | | VA301-VA700, VB051-VB200, VB251-VB280, VB321-VB370, VB401-VB410, VB441-VB450, VE101-VE170, VF001-VF010, VF021-VF060, VF171-VF180 |
| 10 | 24 | PK | D05209J | 12 | | 31-51-42 | TB0182D | A019 | 2 | L2 | 2 | | VF251-VF260 |
| 11 | 24 | PK | D01886 | 39 | | 36-11-51 | SM00002 | | W | L2 | 2 | | VA301-VA700, VB051-VB200, VB251-VB280, VB321-VB330, VB401-VB410, VE101-VE120 |
| 11 | 24 | PK | D01886 | 55 | | 36-11-51 | SM00002 | | W | L2 | 2 | | VF331-VB370, VB441-VB450, VE121-VE170, VF001-VF010, VF021-VF060, VF171-VF180 |
| 11 | 24 | PK | D01886 | 55 | | 36-11-51 | SM00002 | | W | L2 | 2 | | VF251-VF260 |
| 12 | 24 | PK | D01884 | 3 | | 21-51-11 | TB0158G | 9 | 2 | L2 | 4 | | VA301-VA700, VB051-VB200, VB251-VB280, VB321-VB370, VB401-VB410, VB441-VB450, VE101-VE170, VF001-VF010, VF021-VF060, VF171-VF180 |
| 12 | 24 | PK | D01884 | 3 | | 21-51-11 | TB0158G | 9 | 2 | L2 | 3 | | VF251-VF260 |
| 14 | 24 | PK | D01884 | 4 | | 21-51-11 | TB0158Y | C006 | BJ | L2 | 4 | | VA301-VA700, VB051-VB200, VB251-VB280, VB321-VB370, VB401-VB410, VB441-VB450, VE101-VE170, VF001-VF010, VF021-VF060, VF171-VF180 |
| 14 | 24 | PK | D01884 | 4 | | 21-51-11 | TB0158Y | C006 | BJ | L2 | 3 | | VF251-VF260 |
| 15 | 24 | PK | D01884 | 5 | | 21-51-11 | TB0158Y | A005 | BJ | L2 | 4 | | VA301-VA700, VB051-VB200, VB251-VB280, VB321-VB370, VB401-VB410, VB441-VB450, VE101-VE170, VF001-VF010, VF021-VF060, VF171-VF180 |
| 15 | 24 | PK | D01884 | 5 | | 21-51-11 | TB0158Y | A005 | BJ | L2 | 3 | | VF251-VF260 |
| 16 | 24 | PK | D01884 | 22 | | 21-51-11 | D04978J | 20 | | L2 | 3 | | VA301-VA700, VB051-VB100, VB102-VB200, VB251-VB280, VB321-VB370, VB401-VB410, VB441-VB450, VE101-VE170, VF001-VF010, VF021-VF060, VF171-VF180 |
| 16 | 24 | PK | D01884 | 22 | | 21-51-14 | D04978J | 20 | | L2 | 5 | ZSZ-B6 | VB101-VB101 |
| 16 | 24 | PK | D01884 | 22 | | 21-51-11 | D04978J | 20 | | L2 | 2 | | VF251-VF260 |
| 17 | 24 | PK | D01884 | 1 | | 21-51-11 | D04978J | 21 | | L2 | 3 | | VA301-VA700, VB051-VB200, VB251-VB280, VB321-VB370, VB401-VB410, VB441-VB450, VE101-VE170, VF001-VF010, VF021-VF060, VF171-VF180 |
| 17 | 24 | PK | D01884 | 1 | | 21-51-11 | D04978J | 21 | | L2 | 2 | | VF251-VF260 |
| 18 | 24 | PK | D01884 | 27 | | 21-51-11 | TB0182D | A023 | 2 | L2 | 4 | | VA301-VA700, VB051-VB200, VB251-VB280, VB321-VB330, VB401-VB410, VE101-VE117, VE121-VE146, VF001-VF010, VF021-VF060 |

286T1078-102
Wire Bundle Assembly
Figure 102 (Sheet 4)

25-71-01



COMPONENT
MAINTENANCE MANUAL

| WIRE | | | FROM EQUIPMENT | | | | TO EQUIPMENT | | | | WIRE INFO | | | |
|--------|----|-----|----------------|------|----|----------|--------------|------|----|---------|-----------|--------|---|--|
| NUMBER | GA | TYP | NUMBER | TERM | TT | WDM REF | NUMBER | TERM | TT | EMC/SEP | FT | NOTES | EFFECTIVITY | |
| 18 | 24 | PK | D01884 | 27 | | 21-51-11 | TB0182F | A023 | 2 | L2 | 4 | | VB331-VB370, VB441-VB450, VE118-VE120, VE147-VE170, VF171-VF180 | |
| 18 | 24 | PK | D01884 | 27 | | 21-51-11 | TB0182F | A023 | 2 | L2 | 3 | | VF251-VF260 | |
| 19 | 24 | PK | D01884 | 6 | | 21-51-11 | TB0158F | C024 | 2 | L2 | 4 | | VA301-VA700, VB051-VB200, VB251-VB280, VB321-VB370, VB401-VB410, VB441-VB450, VE101-VE170, VF001-VF010, VF021-VF060, VF171-VF180 | |
| 19 | 24 | PK | D01884 | 6 | | 21-51-11 | TB0158F | C024 | 2 | L2 | 3 | | VF251-VF260 | |
| 20 | 22 | PA | D01884 | 28 | | 21-51-11 | TB0182Y | C004 | BJ | L2 | 4 | | VA301-VA700, VB051-VB200, VB251-VB280, VB321-VB370, VB401-VB410, VB441-VB450, VE101-VE170, VF001-VF010, VF021-VF060, VF171-VF180 | |
| 20 | 22 | PA | D01884 | 28 | | 21-51-11 | TB0182Y | C004 | BJ | L2 | 3 | | VF251-VF260 | |
| 21 | 24 | PK | D01884 | 31 | | 21-25-11 | D04978J | 5 | | L2 | 4 | | VA301-VA700, VB051-VB100, VB102-VB200, VB251-VB280, VB321-VB370, VB401-VB410, VB441-VB450, VE101-VE170, VF001-VF010, VF021-VF060, VF171-VF180 | |
| 21 | 22 | PK | D01884 | 31 | | 21-25-11 | GDX0001 | D.. | 2 | L2 | 4 | ZSZ-B6 | VB101-VB101 | |
| 21 | 24 | PK | D01884 | 31 | | 21-25-11 | D04978J | 5 | | L2 | 2 | | VF251-VF260 | |
| 22 | 24 | PK | D01884 | 9 | | 21-53-11 | D04978J | 24 | | L2 | 3 | | VA301-VA700, VB051-VB200, VB251-VB280, VB321-VB370, VB401-VB410, VB441-VB450, VE101-VE170, VF001-VF010, VF021-VF060, VF171-VF180 | |
| 22 | 24 | PK | D01884 | 9 | | 21-53-11 | D04978J | 24 | | L2 | 2 | | VF251-VF260 | |
| 23 | 24 | PK | D01884 | 26 | | 21-53-12 | TB0158F | A012 | 2 | R2 | 4 | | VA301-VA700, VB051-VB200, VB251-VB280, VB321-VB370, VB401-VB410, VB441-VB450, VE101-VE170, VF001-VF010, VF021-VF060, VF171-VF180 | |
| 23 | 24 | PK | D01884 | 26 | | 21-53-12 | TB0158F | A012 | 2 | R2 | 3 | | VF251-VF260 | |
| 24 | 24 | PK | D01884 | 19 | | 21-51-11 | TB0158Y | A006 | BJ | L2 | 4 | | VA301-VA700, VB051-VB200, VB251-VB280, VB321-VB370, VB401-VB410, VB441-VB450, VE101-VE170, VF001-VF010, VF021-VF040, VF171-VF180 | |
| 24 | 24 | PK | D01884 | 19 | | 21-51-11 | TB0158Y | A006 | BJ | L2 | 3 | | VF251-VF260 | |
| 25 | 24 | PK | D01884 | 2 | | 21-51-11 | D08068J | 20 | | L2 | 3 | | VA301-VA700, VB051-VB200, VB251-VB280, VB321-VB370, VB401-VB410, VB441-VB450, VE101-VE170, VF001-VF010, VF021-VF060, VF171-VF180 | |
| 25 | 24 | PK | D01884 | 2 | | 21-51-11 | D08068J | 20 | | L2 | 2 | | VF251-VF260 | |
| 26 | 24 | PK | D01884 | 32 | | 73-21-15 | D02160 | 5 | | L2 | 3 | | VA301-VA315, VB251-VB253, VB321-VB322 | |

286T1078-102
Wire Bundle Assembly
Figure 102 (Sheet 5)

25-71-01



BOEING
COMPONENT
MAINTENANCE MANUAL

| WIRE | | | FROM EQUIPMENT | | | TO EQUIPMENT | | | WIRE INFO | | | | |
|--------|----|-----|----------------|------|----|--------------|---------|------|-----------|---------|----|-------|---|
| NUMBER | GA | TYP | NUMBER | TERM | TT | WDM REF | NUMBER | TERM | TT | EMC/SEP | FT | NOTES | EFFECTIVITY |
| 26 | 24 | PK | D01884 | 32 | | 73-21-15 | TB0248X | D012 | BJ | L2 | 4 | | VA316-VA700,VB051-VB200,VB254-VB280,VB323-VB370,VB401-VB410,VB441-VB450,VE101-VE170,VF001-VF010,VF021-VF060,VF171-VF180 |
| 26 | 24 | PK | D01884 | 32 | | 73-21-15 | TB0248X | D012 | BJ | L2 | 3 | | VF251-VF260 |
| 27 | 24 | PK | D01884 | 18 | | 73-21-15 | D02160 | 47 | | L2 | 2 | | VA301-VA700,VB051-VB200,VB251-VB280,VB321-VB370,VB401-VB410,VB441-VB450,VE101-VE170,VF001-VF010,VF021-VF060,VF171-VF180 |
| 27 | 24 | PK | D01884 | 18 | | 73-21-15 | D02160 | 47 | | L2 | 1 | | VF251-VF260 |
| 28 | 22 | PA | D01884 | 10 | | 21-51-11 | TB0158G | 13 | 2 | L2 | 4 | | VA301-VA315,VA501-VA530,VB051-VB055,VB101-VB125,VB251-VB253,VB321-VB330,VB401-VB401,VE101-VE104,VE116-VE117,VE121-VE126,VE141-VE146,VF001-VF002,VF041-VF042,VF051-VF051 |
| 28 | 22 | PA | D01884 | 10 | | 21-51-11 | TB0158Y | A001 | BJ | L2 | 4 | | VA316-VA500,VA531-VA700,VB056-VB100,VB126-VB200,VB254-VB280,VB331-VB370,VB402-VB410,VB441-VB450,VE105-VE115,VE118-VE120,VE127-VE140,VE147-VE170,VF003-VF010,VF021-VF040,VF043-VF050,VF052-VF060,VE171-VF180 |
| 28 | 22 | PA | D01884 | 10 | | 21-51-11 | TB0158Y | A001 | BJ | L2 | 3 | | VF251-VF260 |
| 29 | 24 | PK | D02160 | 66 | | 73-21-15 | TB0158G | 10 | 2 | L2 | 4 | | VA301-VA700,VB051-VB200,VB251-VB280,VB321-VB370,VB401-VB410,VB441-VB450,VE101-VE170,VF001-VF010,VF021-VF060,VF171-VF180 |
| 29 | 24 | PK | D02160 | 66 | | 73-21-15 | TB0158G | 10 | 2 | L2 | 3 | | VF251-VF260 |
| 30 | 24 | PK | D01884 | 12 | | 21-51-11 | TB0158G | 14 | 2 | L2 | 4 | | VA301-VA315,VA501-VA530,VB051-VB055,VB101-VB125,VB251-VB253,VB321-VB330,VB401-VB401,VE101-VE104,VE116-VE117,VE121-VE126,VE141-VE146,VF001-VF002,VF041-VF042,VF051-VF051 |

286T1078-102
Wire Bundle Assembly
Figure 102 (Sheet 6)

25-71-01

TESTING & FAULT ISOLATION
01 Page 110S
Nov 01/02

| WIRE | | | FROM EQUIPMENT | | | TO EQUIPMENT | | | WIRE INFO | | | | |
|--------|----|-----|----------------|------|----|--------------|---------|------|-----------|---------|----|-------|---|
| NUMBER | GA | TYP | NUMBER | TERM | TT | WDM REF | NUMBER | TERM | TT | EMC/SEP | FT | NOTES | EFFECTIVITY |
| 30 | 24 | PK | D01884 | 12 | | 21-51-11 | TB0158Y | C001 | BJ | L2 | 4 | | VA316-VA500, VA531-VA700, VB056-VB100, VB126-VB200, VB254-VB280, VB331-VB370, VB402-VB410, VB441-VB450, VE105-VE115, VE118-VE120, VE127-VE140, VE147-VE170, VF003-VF010, VF021-VF040, VF043-VF050, VF052-VF060, VF171-VF180 |
| 30 | 24 | PK | D01884 | 12 | | 21-51-11 | TB0158Y | C001 | BJ | L2 | 3 | | VF251-VF260 |
| 31 | 24 | PK | TB0158G | 3 | 2 | 21-51-11 | D04978J | 16 | | L2 | 3 | | VA301-VA315, VA501-VA530, VB051-VB055, VB101-VB125, VB251-VB253, VB321-VB330, VB401-VB401, VE101-VE104, VE116-VE117, VE121-VE126, VE141-VE146, VF001-VF002, VF041-VF042, VF051-VF051 |
| 31 | 24 | PK | TB0158Y | A004 | BJ | 21-51-11 | D04978J | 16 | | L2 | 4 | | VA316-VA500, VA531-VA700, VB056-VB100, VB126-VB200, VB254-VB280, VB331-VB370, VB402-VB410, VB441-VB450, VE105-VE115, VE118-VE120, VE127-VE140, VE147-VE170, VF003-VF010, VF021-VF040, VF043-VF050, VF052-VF060, VF171-VF180 |
| 31 | 24 | PK | TB0158Y | A004 | BJ | 21-51-11 | D04978J | 16 | | L2 | 2 | | VF251-VF260 |
| 32 | 24 | PK | TB0158G | 14 | 2 | 21-51-11 | D08112J | 15 | | L2 | 3 | | VA301-VA315, VA501-VA530, VB051-VB055, VB101-VB125, VB251-VB253, VB321-VB330, VB401-VB401, VE101-VE104, VE116-VE117, VE121-VE126, VE141-VE146, VF001-VF002, VF041-VF042, VF051-VF051 |
| 32 | 24 | PK | TB0158Y | C001 | BJ | 21-51-11 | D08112J | 15 | | L2 | 3 | | VA316-VA500, VA531-VA700, VB056-VB100, VB126-VB200, VB254-VB280, VB331-VB370, VB402-VB410, VB441-VB450, VE105-VE115, VE118-VE120, VE127-VE140, VE147-VE170, VF003-VF010, VF021-VF040, VF043-VF050, VF052-VF060, VF171-VF180 |
| 32 | 24 | PK | TB0158Y | C001 | BJ | 21-51-11 | D08112J | 15 | | L2 | 2 | | VF251-VF260 |
| 34 | 24 | PK | TB0158G | 9 | 2 | 21-51-11 | D04978J | 10 | | L2 | 3 | | VA301-VA315, VA501-VA530, VB051-VB055, VB101-VB125, VB251-VB253, VB321-VB330, VB401-VB401, VE101-VE104, VE116-VE117, VE121-VE126, VE141-VE146, VF001-VF002, VF041-VF042, VF051-VF051 |

 286T1078-102
 Wire Bundle Assembly
 Figure 102 (Sheet 7)

25-71-01

 TESTING & FAULT ISOLATION
 01 Page 110T
 Nov 01/02



BOEING
COMPONENT
MAINTENANCE MANUAL

| WIRE | | FROM EQUIPMENT | | | TO EQUIPMENT | | | WIRE INFO | | | | | |
|--------|----|----------------|---------|------|--------------|----------|---------|-----------|----|---------|----|--------|---|
| NUMBER | GA | TYP | NUMBER | TERM | TT | WDM REF | NUMBER | TERM | TT | EMC/SEP | FT | NOTES | EFFECTIVITY |
| 34 | 24 | PK | TB0158G | 9 | 2 | 21-51-11 | D04978J | 10 | | L2 | 2 | | VF251-VF260 |
| 35 | 24 | PK | D08068J | 48 | | SPARE | TB0158Y | A006 | BJ | L2 | 3 | | VA301-VA700, VB051-VB100, VB112-VB200, VB251-VB280, VB321-VB370, VB401-VB410, VB441-VB450, VE101-VE120, VE127-VE170, VF001-VF010, VF021-VF040, VF171-VF180 |
| 35 | 24 | PK | D08068J | 48 | | 21-51-11 | TB0158Y | A006 | BJ | L2 | 3 | | VB101-VB111 |
| 35 | 24 | PK | D08068J | 48 | | 21-51-11 | TB0158Y | A006 | BJ | L2 | 3 | ZSZ-B6 | VE121-VE126 |
| 35 | 24 | PK | D08068J | 48 | | SPARE | TB0158Y | A006 | BJ | L2 | 2 | | VF251-VF260 |
| 36 | 22 | PA | TB0182Y | C004 | BJ | 21-51-11 | D04978J | 23 | | L2 | 3 | | VA301-VA700, VB051-VB200, VB251-VB280, VB321-VB370, VB401-VB410, VB441-VB450, VE101-VE170, VF001-VF010, VF021-VF060, VF171-VF180 |
| 36 | 22 | PA | TB0182Y | C004 | BJ | 21-51-11 | D04978J | 23 | | L2 | 2 | | VF251-VF260 |
| 38 | 24 | PK | D03738 | 24 | | 21-51-23 | D08068J | 45 | | L2 | 3 | | VA301-VA700, VB051-VB200, VB251-VB280, VB321-VB370, VB401-VB410, VB441-VB450, VE101-VE170, VF001-VF010, VF021-VF060, VF171-VF180 |
| 38 | 24 | PK | D03738 | 24 | | 21-51-23 | D08068J | 45 | | L2 | 2 | | VF251-VF260 |
| 39 | 22 | PA | TB0158G | 13 | 2 | 21-51-11 | D04978J | 22 | | L2 | 3 | | VA301-VA315, VA501-VA530, VB051-VB055, VB101-VB125, VB251-VB253, VB321-VB330, VB401-VB401, VE101-VE104, VE116-VE117, VE121-VE126, VE141-VE146, VF001-VF002, VF041-VF042, VF051-VF051 |
| 39 | 22 | PA | TB0158Y | A001 | BJ | 21-51-11 | D04978J | 22 | | L2 | 4 | | VA316-VA500, VA531-VA700, VB056-VB100, VB126-VB200, VB254-VB280, VB331-VB370, VB402-VB410, VB441-VB450, VE105-VE115, VE118-VE120, VE127-VE140, VE147-VE170, VF003-VF010, VF021-VF040, VF043-VF050, VF052-VF060, VF171-VF180 |
| 39 | 22 | PA | TB0158Y | A001 | BJ | 21-51-11 | D04978J | 22 | | L2 | 2 | | VF251-VF260 |
| 40 | 24 | PK | D03742 | 1 | | 21-25-11 | D04978J | 2 | | L2 | 3 | | VA301-VA700, VB051-VB100, VB102-VB200, VB251-VB280, VB321-VB370, VB401-VB410, VB441-VB450, VE101-VE170, VF001-VF010, VF021-VF060, VF171-VF180 |
| 40 | 24 | PK | D03742 | 1 | | 21-25-11 | D04978J | 2 | | L2 | 2 | | VF251-VF260 |

286T1078-102
Wire Bundle Assembly
Figure 102 (Sheet 8)

25-71-01

TESTING & FAULT ISOLATION
01 Page 110U
Nov 01/02

| WIRE | | | FROM EQUIPMENT | | | | TO EQUIPMENT | | | | WIRE INFO | | | |
|--------|----|-----|----------------|------|----|----------|--------------|------|----|-------------|-----------|--------|---|--|
| NUMBER | GA | TYP | NUMBER | TERM | TT | WDM REF | NUMBER | TERM | TT | EMC/ SEP | FT | NOTES | EFFECTIVITY | |
| 41 | 22 | PA | D03742 | 3 | | 21-25-11 | GDX0001 | D.. | 2 | L2 | 3 | | VA301-VA700, VB051-VB100, VB102-VB200, VB251-VB280, VB321-VB370, VB401-VB410, VB441-VB450, VE101-VE170, VF001-VF010, VF021-VF060, VF171-VF180 | |
| 41 | 22 | PA | D03742 | 3 | | 21-25-11 | GDX0001 | D.. | 2 | L2 | 2 | | VF251-VF260 | |
| 42 | 24 | PK | D03742 | 24 | | 21-25-11 | D04978J | 1 | | L2 | 3 | | VA301-VA700, VB051-VB100, VB102-VB200, VB251-VB280, VB321-VB370, VB401-VB410, VB441-VB450, VE101-VE170, VF001-VF010, VF021-VF060, VF171-VF180 | |
| 42 | 24 | PK | D03742 | 24 | | 21-25-11 | D04978J | 1 | | L2 | 2 | | VF251-VF260 | |
| 43 | 22 | PA | D03742 | 4 | | 21-25-11 | GDX0001 | D.. | 2 | L2 | 3 | | VA301-VA700, VB051-VB100, VB102-VB200, VB251-VB280, VB321-VB370, VB401-VB410, VB441-VB450, VE101-VE170, VF001-VF010, VF021-VF060, VF171-VF180 | |
| 43 | 22 | PA | D03742 | 4 | | 21-25-11 | GDX0001 | D.. | 2 | L2 | 2 | | VF251-VF260 | |
| 44 | 24 | PK | D03742 | 22 | | 21-25-11 | D04978J | 3 | | L2 | 3 | | VA301-VA700, VB051-VB100, VB102-VB200, VB251-VB280, VB321-VB370, VB401-VB410, VB441-VB450, VE101-VE170, VF001-VF010, VF021-VF060, VF171-VF180 | |
| 44 | 24 | PK | D03742 | 22 | | 21-25-11 | D04978J | 3 | | L2 | 2 | | VF251-VF260 | |
| 45 | 24 | PK | D03742 | 23 | | 21-25-11 | D04978J | 4 | | L2 | 3 | | VA301-VA700, VB051-VB100, VB102-VB200, VB251-VB280, VB321-VB370, VB401-VB410, VB441-VB450, VE101-VE170, VF001-VF010, VF021-VF060, VF171-VF180 | |
| 45 | 24 | PK | D03742 | 23 | | 21-25-11 | D04978J | 4 | | L2 | 2 | | VF251-VF260 | |
| 46 | 24 | PK | D03742 | 7 | | 21-26-11 | D08068J | 50 | | L2 | 3 | | VA301-VA700, VB051-VB100, VB102-VB200, VB251-VB280, VB321-VB370, VB401-VB410, VB441-VB450, VE101-VE170, VF001-VF010, VF021-VF060, VF171-VF180 | |
| 46 | 24 | PK | D03742 | 7 | | 21-26-11 | D08068J | 50 | | L2 | 2 | | VF251-VF260 | |
| 46 | 24 | PK | D03742 | 7 | | 21-58-19 | D08068J | 50 | | L2 | 3 | ZSZ-B6 | VB101-VB101 | |
| 46 | 24 | PK | D03742 | 7 | | 21-26-11 | D08068J | 50 | | L2 | 2 | | VF251-VF260 | |

 286T1078-102
 Wire Bundle Assembly
 Figure 102 (Sheet 9)

25-71-01

 TESTING & FAULT ISOLATION
 01 Page 110V
 Nov 01/02



BOEING
COMPONENT
MAINTENANCE MANUAL

| WIRE | | | FROM EQUIPMENT | | | TO EQUIPMENT | | | WIRE INFO | | | | |
|--------|----|-----|----------------|------|----|--------------|---------|------|-----------|---------|----|--------|---|
| NUMBER | GA | TYP | NUMBER | TERM | TT | WDM REF | NUMBER | TERM | TT | EMC/SEP | FT | NOTES | EFFECTIVITY |
| 47 | 22 | PA | D03742 | 9 | | 21-26-11 | GDX0001 | D.. | 2 | L2 | 3 | | VA301-VA700, VB051-VB100, VB102-VB200, VB251-VB280, VB321-VB370, VB401-VB410, VB441-VB450, VE101-VE170, VF001-VF010, VF021-VF060, VF171-VF180 |
| 47 | 22 | PA | D03742 | 9 | | 21-58-19 | GDX0001 | D.. | 2 | L2 | 3 | ZSZ-B6 | VB101-VB101 |
| 47 | 22 | PA | D03742 | 9 | | 21-26-11 | GDX0001 | D.. | 2 | L2 | 2 | | VF251-VF260 |
| 48 | 24 | PK | D03742 | 28 | | 21-26-11 | D08068J | 15 | | L2 | 3 | | VA301-VA700, VB051-VB100, VB102-VB200, VB251-VB280, VB321-VB370, VB401-VB410, VB441-VB450, VE101-VE170, VF001-VF010, VF021-VF060, VF171-VF180 |
| 48 | 24 | PK | D03742 | 28 | | 21-58-19 | D08068J | 15 | | L2 | 3 | ZSZ-B6 | VB101-VB101 |
| 48 | 24 | PK | D03742 | 28 | | 21-26-11 | D08068J | 15 | | L2 | 2 | | VF251-VF260 |
| 49 | 24 | PK | D03742 | 8 | | 21-26-11 | D08068J | 18 | | L2 | 3 | | VA301-VA700, VB051-VB100, VB102-VB200, VB251-VB280, VB321-VB370, VB401-VB410, VB441-VB450, VE101-VE170, VF001-VF010, VF021-VF060, VF171-VF180 |
| 49 | 24 | PK | D03742 | 8 | | 21-58-19 | D08068J | 18 | | L2 | 3 | ZSZ-B6 | VB101-VB101 |
| 49 | 24 | PK | D03742 | 8 | | 21-26-11 | D08068J | 18 | | L2 | 2 | | VF251-VF260 |
| 50 | 24 | PK | D03742 | 6 | | 21-26-11 | D08068J | 16 | | L2 | 3 | | VA301-VA700, VB051-VB100, VB102-VB200, VB251-VB280, VB321-VB370, VB401-VB410, VB441-VB450, VE101-VE170, VF001-VF010, VF021-VF060, VF171-VF180 |
| 50 | 24 | PK | D03742 | 6 | | 21-58-19 | D08068J | 16 | | L2 | 3 | ZSZ-B6 | VB101-VB101 |
| 50 | 24 | PK | D03742 | 6 | | 21-26-11 | D08068J | 16 | | L2 | 2 | | VF251-VF260 |
| 51 | 24 | PK | D03742 | 27 | | 21-26-11 | D08068J | 19 | | L2 | 3 | | VA301-VA700, VB051-VB100, VB102-VB200, VB251-VB280, VB321-VB370, VB401-VB410, VB441-VB450, VE101-VE170, VF001-VF010, VF021-VF060, VF171-VF180 |
| 51 | 24 | PK | D03742 | 27 | | 21-58-19 | D08068J | 19 | | L2 | 3 | ZSZ-B6 | VB101-VB101 |
| 51 | 24 | PK | D03742 | 27 | | 21-26-11 | D08068J | 19 | | L2 | 2 | | VF251-VF260 |
| 52 | 24 | PK | D03742 | 36 | | 21-26-11 | TE0158F | A017 | 2 | L2 | 4 | | VA301-VA700, VB051-VB100, VB102-VB200, VB251-VB280, VB321-VB370, VB401-VB410, VB441-VB450, VE101-VE170, VF001-VF010, VF021-VF060, VF171-VF180 |

286T1078-102
Wire Bundle Assembly
Figure 102 (Sheet 10)

25-71-01



COMPONENT
MAINTENANCE MANUAL

| WIRE | | | FROM EQUIPMENT | | | | TO EQUIPMENT | | | | WIRE INFO | | | |
|--------|----|-----|----------------|------|----|----------|--------------|------|----|---------|-----------|--------|---|--|
| NUMBER | GA | TYP | NUMBER | TERM | TT | WDM REF | NUMBER | TERM | TT | EMC/SEP | FT | NOTES | EFFECTIVITY | |
| 52 | 24 | PK | D03742 | 36 | | 21-58-19 | TP0158F | A017 | 2 | L2 | 4 | ZSZ-B6 | VB101-VB101 | |
| 52 | 24 | PK | D03742 | 36 | | 21-26-11 | TP0158F | A017 | 2 | L2 | 3 | | VF251-VF260 | |
| 53 | 24 | PK | D03742 | 13 | | 21-58-14 | D08112J | 33 | | L2 | 4 | | VA301-VA700, VB051-VB200, VB251-VB280, VB321-VB370, VB401-VB410, VB441-VB450, VE101-VE170, VF001-VF010, VF021-VF060, VF171-VF180 | |
| 53 | 24 | PK | D03742 | 13 | | 21-58-14 | D08112J | 33 | | L2 | 2 | | VF251-VF260 | |
| 54 | 22 | PA | D03742 | 15 | | 21-58-14 | GDX0001 | D.. | 2 | L2 | 3 | | VA301-VA700, VB051-VB100, VB103-VB200, VB251-VB280, VB321-VB370, VB401-VB410, VB441-VB450, VE101-VE170, VF001-VF010, VF021-VF060, VF171-VF180 | |
| 54 | 22 | PA | D03742 | 15 | | 21-58-14 | GDX03980 | D.. | 2 | L2 | 3 | ZSZ-B6 | VB101-VB101 | |
| 54 | 22 | PA | D03742 | 15 | | 21-58-14 | GDX0001 | D.. | 2 | L2 | 2 | | VF251-VF260 | |
| 55 | 24 | PK | D03742 | 12 | | 21-58-14 | D08068J | 46 | | L2 | 3 | | VA301-VA315, VA501-VA519, VB051-VB055, VB102-VB123, VB251-VB253, VB321-VB324, VB401-VB401, VE101-VE103, VE116-VE117 | |
| 55 | 24 | PK | TB0158G | 27 | 2 | 21-58-14 | D08068J | 46 | | L2 | 2 | | VA316-VA500, VA520-VA700, VB056-VB100, VB124-VB200, VB354-VB280, VB325-VB370, VB402-VB410, VB441-VB450, VE104-VE115, VE118-VE170, VF001-VF010, VF021-VF060, VF171-VF180 | |
| 55 | 24 | PK | TB0158G | 27 | 2 | 21-58-14 | D08068J | 46 | | L2 | 3 | ZSZ-B6 | VB101-VB101 | |
| 55 | 24 | PK | TB0158G | 27 | 2 | 21-58-14 | D08068J | 46 | | L2 | 2 | | VF251-VF260 | |
| 56 | 24 | PK | D03742 | 33 | | 21-58-14 | D08112J | 10 | | L2 | 3 | | VA301-VA700, VB051-VB200, VB251-VB280, VB321-VB370, VB401-VB410, VB441-VB450, VE101-VE170, VF001-VF010, VF021-VF060, VF171-VF180 | |
| 56 | 24 | PK | D03742 | 33 | | 21-58-14 | D08112J | 10 | | L2 | 2 | | VF251-VF260 | |
| 57 | 24 | PK | D03742 | 11 | | 21-58-14 | D08112J | 8 | | L2 | 3 | | VA301-VA700, VB051-VB200, VB251-VB280, VB321-VB370, VB401-VB410, VB441-VB450, VE101-VE170, VF001-VF010, VF021-VF060, VF171-VF180 | |
| 57 | 24 | PK | D03742 | 11 | | 21-58-14 | D08112J | 8 | | L2 | 2 | | VF251-VF260 | |
| 58 | 24 | PK | D03742 | 32 | | 21-58-14 | D08112J | 11 | | L2 | 3 | | VA301-VA700, VB051-VB200, VB251-VB280, VB321-VB370, VB401-VB410, VB441-VB450, VE101-VE170, VF001-VF010, VF021-VF060, VF171-VF180 | |
| 58 | 24 | PK | D03742 | 32 | | 21-58-14 | D08112J | 11 | | L2 | 2 | | VF251-VF260 | |

286T1078-102
Wire Bundle Assembly
Figure 102 (Sheet 11)

25-71-01



BOEING
COMPONENT
MAINTENANCE MANUAL

| WIRE | | FROM EQUIPMENT | | | TO EQUIPMENT | | | WIRE INFO | | | | | |
|--------|----|----------------|---------|------|--------------|----------|---------|-----------|----|---------|----|--------|---|
| NUMBER | GA | TYP | NUMBER | TERM | TT | WDM REF | NUMBER | TERM | TT | EMC/SEP | FT | NOTES | EFFECTIVITY |
| 59 | 24 | PK | D03742 | 14 | | 21-58-14 | TB0158F | C017 | 2 | L2 | 4 | | VA301-VA700, VB051-VB200, VB251-VB280, VB321-VB370, VB401-VB410, VB441-VB450, VE101-VE170, VF001-VF010, VF021-VF060, VF171-VF180 |
| 59 | 24 | PK | D03742 | 14 | | 21-58-14 | TB0158F | C017 | 2 | L2 | 3 | | VF251-VF260 |
| 60 | 24 | PK | D03742 | 31 | | 21-58-14 | D08112J | 7 | | L2 | 3 | | VA301-VA315, VA501-VA519, VB051-VB055, VB102-VB123, VB251-VB253, VB321-VB324, VB401-VB401, VE101-VE103, VE116-VE117 |
| 61 | 24 | PK | D01886 | 5 | | 36-11-51 | D08112J | 28 | | L2 | 4 | | VA301-VA700, VB051-VB200, VB251-VB280, VB321-VB370, VB401-VB410, VB441-VB450, VE101-VE170, VF001-VF010, VF021-VF060, VF171-VF180 |
| 61 | 24 | PK | D01886 | 5 | | 36-11-51 | D08112J | 28 | | L2 | 2 | | VF251-VF260 |
| 62 | 24 | PK | D03742 | 35 | | 21-26-11 | D08112J | 13 | | L2 | 3 | | VA301-VA700, VB051-VB100, VB103-VB200, VB251-VB280, VB321-VB370, VB401-VB410, VB441-VB450, VE101-VE170, VF001-VF010, VF021-VF060, VF171-VF180 |
| 62 | 24 | PK | D03742 | 35 | | 21-26-11 | D08112J | 13 | | L2 | 2 | ZSZ-B6 | VB101-VB101 |
| 63 | 24 | PK | TB0158F | C020 | 2 | 21-58-14 | D03742 | 38 | | L2 | 4 | | VF251-VF260 |
| 63 | 24 | PK | TB0158F | C020 | 2 | 21-58-14 | D03742 | 38 | | L2 | 3 | | VA301-VA700, VB051-VB200, VB251-VB280, VB321-VB370, VB401-VB410, VB441-VB450, VE101-VE170, VF001-VF010, VF021-VF060, VF171-VF180 |
| 64 | 24 | PK | D03738 | 19 | | 21-53-22 | D04978J | 30 | | L2 | 3 | | VF251-VF260 |
| 64 | 24 | PK | D03738 | 19 | | 21-53-22 | D04978J | 30 | | L2 | 2 | | VA301-VA700, VB051-VB100, VB102-VB200, VB251-VB280, VB321-VB370, VB401-VB410, VB441-VB450, VE101-VE170, VF001-VF010, VF021-VF060, VF171-VF180 |
| 65 | 22 | PA | D03738 | 21 | | 21-53-22 | GDX0001 | D.. | 2 | L2 | 3 | | VF251-VF260 |
| 65 | 22 | PA | D03738 | 21 | | 21-53-22 | GDX0001 | D.. | 2 | L2 | 3 | ZSZ-B6 | VB101-VB101 |
| 66 | 24 | PK | D03738 | 6 | | 21-53-22 | D04978J | 25 | | L2 | 3 | | VF251-VF260 |
| 66 | 24 | PK | D03738 | 6 | | 21-53-22 | D04978J | 25 | | L2 | 3 | | VA301-VA700, VB051-VB200, VB251-VB280, VB321-VB370, VB401-VB410, VB441-VB450, VE101-VE170, VF001-VF010, VF021-VF060, VF171-VF180 |

286T1078-102
Wire Bundle Assembly
Figure 102 (Sheet 12)

25-71-01

| WIRE | | | FROM EQUIPMENT | | | | TO EQUIPMENT | | | | WIRE INFO | | | |
|--------|----|-----|----------------|------|----|----------|--------------|------|----|---------|-----------|--------|---|--|
| NUMBER | GA | TYP | NUMBER | TERM | TT | WDM REF | NUMBER | TERM | TT | EMC/SEP | FT | NOTES | EFFECTIVITY | |
| 66 | 24 | PK | D03738 | 6 | | 21-53-22 | D04978J | 25 | | L2 | 2 | | VF251-VF260 | |
| 67 | 24 | PK | D03738 | 3 | | 21-53-22 | TE0182X | C011 | BJ | L2 | 4 | | VA301-VA700, VB051-VB300, VB251-VB280, VB321-VB370, VB401-VB410, VB441-VB450, VE101-VE170, VF001-VF010, VF021-VF060, VF171-VF180 | |
| 67 | 24 | PK | D03738 | 3 | | 21-53-22 | TE0182X | C011 | BJ | L2 | 3 | | VF251-VF260 | |
| 68 | 24 | PK | D03738 | 37 | | 21-53-22 | D04978J | 27 | | L2 | 3 | | VA301-VA700, VB051-VB100, VB102-VB200, VB251-VB280, VB321-VB370, VB401-VB410, VB441-VB450, VE101-VE170, VF001-VF010, VF021-VF060, VF171-VF180 | |
| 68 | 22 | PA | D03738 | 37 | | 21-51-24 | D04978J | 27 | | L2 | 3 | ZSZ-B6 | VB101-VB101 | |
| 68 | 24 | PK | D03738 | 37 | | 21-53-22 | D04978J | 27 | | L2 | 2 | | VF251-VF260 | |
| 69 | 24 | PK | D03738 | 36 | | 21-53-22 | D04978J | 28 | | L2 | 3 | | VA301-VA700, VB051-VB200, VB251-VB280, VB321-VB370, VB401-VB410, VB441-VB450, VE101-VE170, VF001-VF010, VF021-VF060, VF171-VF180 | |
| 69 | 24 | PK | D03738 | 36 | | 21-53-22 | D04978J | 28 | | L2 | 2 | | VF251-VF260 | |
| 70 | 24 | PK | D03738 | 35 | | 21-53-22 | D04978J | 29 | | L2 | 3 | | VA301-VA700, VB051-VB100, VB102-VB200, VB251-VB280, VB321-VB370, VB401-VB410, VB441-VB450, VE101-VE170, VF001-VF010, VF021-VF060, VF171-VF180 | |
| 70 | 22 | PA | D03738 | 35 | | 21-51-24 | D04978J | 29 | | L2 | 3 | ZSZ-B6 | VB101-VB101 | |
| 70 | 24 | PK | D03738 | 35 | | 21-53-22 | D04978J | 29 | | L2 | 2 | | VF251-VF260 | |
| 71 | 24 | PK | D03738 | 8 | | 21-53-22 | TE0158F | C012 | 2 | L2 | 4 | | VA301-VA700, VB051-VB200, VB251-VB280, VB321-VB370, VB401-VB410, VB441-VB450, VE101-VE170, VF001-VF010, VF021-VF060, VF171-VF180 | |
| 71 | 24 | PK | D03738 | 8 | | 21-53-22 | TE0158F | C012 | 2 | L2 | 3 | | VF251-VF260 | |
| 72 | 24 | PK | D03738 | 4 | | 21-53-22 | D08068J | 12 | | L2 | 3 | | VA301-VA700, VB051-VB200, VB251-VB280, VB321-VB370, VB401-VB410, VB441-VB450, VE101-VE170, VF001-VF010, VF021-VF060, VF171-VF180 | |
| 72 | 24 | PK | D03738 | 4 | | 21-53-22 | D08068J | 12 | | L2 | 2 | | VF251-VF260 | |
| 73 | 24 | PK | D03738 | 10 | | 21-53-22 | D08068J | 13 | | L2 | 3 | | VA301-VA700, VB051-VB200, VB251-VB280, VB321-VB370, VB401-VB410, VB441-VB450, VE101-VE170, VF001-VF010, VF021-VF060, VF171-VF180 | |
| 73 | 24 | PK | D03738 | 10 | | 21-53-22 | D08068J | 13 | | L2 | 2 | | VF251-VF260 | |

286T1078-102
Wire Bundle Assembly
Figure 102 (Sheet 13)

25-71-01

TESTING & FAULT ISOLATION
01 Page 110Z
Nov 01/02



BOEING
COMPONENT
MAINTENANCE MANUAL

| WIRE | | | FROM EQUIPMENT | | | TO EQUIPMENT | | | WIRE INFO | | | | |
|--------|----|-----|----------------|------|----|--------------|---------|------|-----------|---------|----|-------|--|
| NUMBER | GA | TYP | NUMBER | TERM | TT | WDM REF | NUMBER | TERM | TT | EMC/SEP | FT | NOTES | EFFECTIVITY |
| 74 | 24 | PK | D03738 | 7 | | 21-53-22 | D08068J | 10 | | L2 | 3 | | VA301-VA700, VB051-VB200, VB251-VB280, VB321-VB370, VB401-VB410, VB441-VB450, VE101-VE170, VF001-VF010, VF021-VF060, VF171-VF180 |
| 74 | 24 | PK | D03738 | 7 | | 21-53-22 | D08068J | 10 | | L2 | 2 | | VF251-VF260 |
| 75 | 24 | PK | D03738 | 11 | | 21-53-22 | D08068J | 11 | | L2 | 3 | | VA301-VA700, VB051-VB200, VB251-VB280, VB321-VB370, VB401-VB410, VB441-VB450, VE101-VE170, VF001-VF010, VF021-VF060, VF171-VF180 |
| 75 | 24 | PK | D03738 | 11 | | 21-53-22 | D08068J | 11 | | L2 | 2 | | VF251-VF260 |
| 76 | 24 | PK | D03738 | 12 | | 21-53-22 | D08068J | 8 | | L2 | 3 | | VA301-VA700, VB051-VB200, VB251-VB280, VB321-VB370, VB401-VB410, VB441-VB450, VE101-VE170, VF001-VF010, VF021-VF060, VF171-VF180 |
| 76 | 24 | PK | D03738 | 12 | | 21-53-22 | D08068J | 8 | | L2 | 2 | | VF251-VF260 |
| 77 | 24 | PK | D03738 | 9 | | 21-53-22 | D08068J | 9 | | L2 | 3 | | VA301-VA700, VB051-VB200, VB251-VB280, VB321-VB370, VB401-VB410, VB441-VB450, VE101-VE170, VF001-VF010, VF021-VF060, VF171-VF180 |
| 77 | 24 | PK | D03738 | 9 | | 21-53-22 | D08068J | 9 | | L2 | 2 | | VF251-VF260 |
| 78 | 24 | PK | D03738 | 16 | | 21-53-22 | D08068J | 6 | | L2 | 3 | | VA301-VA700, VB051-VB200, VB251-VB280, VB321-VB370, VB401-VB410, VB441-VB450, VE101-VE170, VF001-VF010, VF021-VF060, VF171-VF180 |
| 78 | 24 | PK | D03738 | 16 | | 21-53-22 | D08068J | 6 | | L2 | 2 | | VF251-VF260 |
| 79 | 24 | PK | D03738 | 14 | | 21-53-22 | D08068J | 5 | | L2 | 3 | | VA301-VA700, VB051-VB200, VB251-VB280, VB321-VB370, VB401-VB410, VB441-VB450, VE101-VE170, VF001-VF010, VF021-VF060, VF171-VF180 |
| 79 | 24 | PK | D03738 | 14 | | 21-53-22 | D08068J | 5 | | L2 | 2 | | VF251-VF260 |
| 79 | 24 | PK | D03738 | 14 | | 21-53-22 | D08068J | 5 | | L2 | 2 | | VA301-VA700, VB051-VB200, VB251-VB280, VB321-VB370, VB401-VB410, VB441-VB450, VE101-VE170, VF001-VF010, VF021-VF060, VF171-VF180 |
| 80 | 24 | PK | D03738 | 15 | | 21-53-22 | D08068J | 4 | | L2 | 3 | | VF251-VF260 |
| 80 | 24 | PK | D03738 | 15 | | 21-53-22 | D08068J | 4 | | L2 | 2 | | VA301-VA700, VB051-VB200, VB251-VB280, VB321-VB370, VB401-VB410, VB441-VB450, VE101-VE170, VF001-VF010, VF021-VF060, VF171-VF180 |
| 80 | 24 | PK | D03738 | 15 | | 21-53-22 | D08068J | 4 | | L2 | 2 | | VF251-VF260 |
| 81 | 24 | PK | D03738 | 13 | | 21-53-22 | D08068J | 3 | | L2 | 3 | | VA301-VA700, VB051-VB200, VB251-VB280, VB321-VB370, VB401-VB410, VB441-VB450, VE101-VE170, VF001-VF010, VF021-VF060, VF171-VF180 |
| 81 | 24 | PK | D03738 | 13 | | 21-53-22 | D08068J | 3 | | L2 | 2 | | VF251-VF260 |

286T1078-102
Wire Bundle Assembly
Figure 102 (Sheet 14)

25-71-01

| WIRE | | | FROM EQUIPMENT | | | | TO EQUIPMENT | | | | WIRE INFO | | | |
|--------|----|-----|----------------|------|----|----------|--------------|------|----|-------------|-----------|-------|--|--|
| NUMBER | GA | TYP | NUMBER | TERM | TT | WDM REF | NUMBER | TERM | TT | EMC/ SEP | FT | NOTES | EFFECTIVITY | |
| 82 | 24 | PK | D03738 | 18 | | 21-53-22 | D08068J | 2 | | L2 | 3 | | VA301-VA700, VB051-VB200, VB251-VB280, VB321-VB370, VB401-VB410, VB441-VB450, VE101-VE170, VF001-VF010, VF021-VF060, VF171-VF180 | |
| 82 | 24 | PK | D03738 | 18 | | 21-53-22 | D08068J | 2 | | L2 | 2 | | VF251-VF260 | |
| 83 | 24 | PK | D03738 | 17 | | 21-53-22 | D08068J | 1 | | L2 | 3 | | VA301-VA700, VB051-VB200, VB251-VB280, VB321-VB370, VB401-VB410, VB441-VB450, VE101-VE170, VF001-VF010, VF021-VF060, VF171-VF180 | |
| 83 | 24 | PK | D03738 | 17 | | 21-53-22 | D08068J | 1 | | L2 | 2 | | VF251-VF260 | |
| 84 | 24 | PK | D03738 | 5 | | 21-53-22 | D08068J | 7 | | L2 | 3 | | VA301-VA700, VB051-VB200, VB251-VB280, VB321-VB370, VB401-VB410, VB441-VB450, VE101-VE170, VF001-VF010, VF021-VF060, VF171-VF180 | |
| 84 | 24 | PK | D03738 | 17 | | 21-53-22 | D08068J | 1 | | L2 | 2 | | VF251-VF260 | |
| 85 | 22 | PA | D01886 | 22 | | 36-11-51 | SM00001 | | W | L2 | 2 | | VA301-VA700, VB051-VB200, VB251-VB280, VB321-VB330, VB401-VB410, VE101-VE120 | |
| 85 | 22 | PA | D01886 | 60 | | 36-11-51 | SM00001 | | W | L2 | 2 | | VF251-VF260 | |
| 85 | 22 | PA | D01886 | 60 | | 36-11-51 | SM00001 | | W | L2 | 2 | | VA301-VA700, VB051-VB200, VB251-VB280, VB321-VB330, VB401-VB410, VE101-VE120 | |
| 86 | 22 | PA | D01886 | 40 | | 36-11-51 | D08068J | 42 | | L2 | 3 | | VB331-VB370, VB441-VB450, VE121-VE170, VF001-VF010, VF021-VF060, VF171-VF180 | |
| 86 | 22 | PA | D01886 | 40 | | 36-11-51 | D08068J | 42 | | L2 | 2 | | VF251-VF260 | |
| 87 | 22 | PA | D01886 | 21 | | 36-11-51 | D08068J | 41 | | L2 | 3 | | VA301-VA700, VB051-VB200, VB251-VB280, VB321-VB330, VB401-VB410, VE101-VE120 | |
| 87 | 22 | PA | D01886 | 39 | | 36-11-51 | D08068J | 41 | | L2 | 3 | | VB331-VB370, VB441-VB450, VE121-VE170, VF001-VF010, VF021-VF060, VF171-VF180 | |
| 87 | 22 | PA | D01886 | 40 | | 36-11-51 | D08068J | 42 | | L2 | 2 | | VF251-VF260 | |
| 88 | 22 | PA | D01886 | 39 | | 36-11-51 | D08068J | 41 | | L2 | 3 | | VA301-VA700, VB051-VB200, VB251-VB280, VB321-VB330, VB401-VB410, VE101-VE120 | |
| 88 | 22 | PA | D08030J | 15 | | 73-21-19 | TE0248Y | A004 | BJ | L2 | 3 | | VB331-VB370, VB441-VB450, VE121-VE170, VF001-VF010, VF021-VF060, VF171-VF180 | |
| 88 | 22 | PA | D08030J | 15 | | 73-21-19 | TE0248Y | A004 | BJ | L2 | 2 | | VF251-VF260 | |
| 89 | 22 | PA | TB0248D | C022 | 2 | 73-21-19 | TB0248Y | A004 | BJ | L2 | 3 | | VA301-VA700, VB051-VB200, VB251-VB280, VB321-VB370, VB401-VB410, VB441-VB450, VE101-VE170, VF001-VF010, VF021-VF060, VF171-VF180 | |

286T1078-102
Wire Bundle Assembly
Figure 102 (Sheet 15)

25-71-01



BOEING
COMPONENT
MAINTENANCE MANUAL

| WIRE | | | FROM EQUIPMENT | | | | TO EQUIPMENT | | | | WIRE INFO | | | |
|--------|----|-----|----------------|------|----|----------|--------------|------|----|---------|-----------|--------|--|--|
| NUMBER | GA | TYP | NUMBER | TERM | TT | WDM REF | NUMBER | TERM | TT | EMC/SEP | FT | NOTES | EFFECTIVITY | |
| 89 | 22 | PA | TB0248D | C022 | 2 | 73-21-19 | TB0248Y | A004 | BJ | L2 | 3 | ZSZ-B6 | VB251-VB253 | |
| 89 | 22 | PA | D08030J | 17 | | 73-21-19 | TB0248Y | A004 | BJ | L2 | 3 | | VB321-VB322 | |
| 89 | 22 | PA | TB0248D | C022 | 2 | 73-21-19 | TB0248Y | A004 | BJ | L2 | 3 | | VF251-VF260 | |
| 92 | 24 | PK | D01886 | 24 | | 36-11-51 | D08068J | 25 | | L2 | 3 | | VA301-VA700, VB051-VB200, VB251-VB280, VB321-VB330, VB401-VB410, VE101-VE120 | |
| 92 | 24 | PK | D01886 | 20 | | 36-11-51 | D08068J | 25 | | L2 | 3 | | VB331-VB370, VB441-VB450, VE121-VE170, VF001-VF010, VF021-VF060, VF171-VF180 | |
| 92 | 24 | PK | D01886 | 20 | | 36-11-51 | D08068J | 25 | | L2 | 2 | | VF251-VF260 | |
| 93 | 22 | PA | D01886 | 7 | | 36-11-51 | D08068J | 22 | | L2 | 3 | | VA301-VA700, VB051-VB200, VB251-VB280, VB321-VB330, VB401-VB410, VE101-VE120 | |
| 93 | 22 | PA | D01886 | 35 | | 36-11-51 | D08068J | 22 | | L2 | 3 | | VB331-VB370, VB441-VB450, VE121-VE170, VF001-VF010, VF021-VF060, VF171-VF180 | |
| 93 | 22 | PA | D01886 | 35 | | 36-11-51 | D08068J | 22 | | L2 | 2 | | VF251-VF260 | |
| 94 | 24 | PK | D01886 | 38 | | 36-11-51 | TB0158Y | C005 | BJ | L2 | 4 | | VA301-VA700, VB051-VB200, VB251-VB280, VB321-VB330, VB401-VB410, VE101-VE120 | |
| 94 | 24 | PK | D01886 | 53 | | 36-11-51 | TB0158Y | C005 | BJ | L2 | 4 | | VB331-VB370, VB441-VB450, VE121-VE170, VF001-VF010, VF021-VF060, VF171-VF180 | |
| 94 | 24 | PK | D01886 | 53 | | 36-11-51 | TB0158Y | C005 | BJ | L2 | 3 | | VF251-VF260 | |
| 95 | 24 | PK | D01886 | 34 | | 36-11-61 | D08068J | 34 | | L2 | 3 | | VA301-VA700, VB051-VB200, VB251-VB280, VB321-VB330, VB401-VB410, VE101-VE120 | |
| 95 | 24 | PK | D01886 | 28 | | 36-11-61 | D08068J | 34 | | L2 | 3 | | VB331-VB370, VB441-VB450, VE121-VE170, VF001-VF010, VF021-VF060, VF171-VF180 | |
| 95 | 24 | PK | D01886 | 28 | | 36-11-61 | D08068J | 34 | | L2 | 2 | | VF251-VF260 | |
| 96 | 22 | PA | D01886 | 11 | | 36-11-51 | SM00004 | | W | L2 | 2 | | VA301-VA700, VB051-VB200, VB251-VB280, VB321-VB330, VB401-VB410, VE101-VE120 | |
| 97 | 24 | PK | D01886 | 4 | | 36-11-51 | D08068J | 23 | | L2 | 3 | | VA301-VA700, VB051-VB200, VB251-VB280, VB321-VB330, VB401-VB410, VE101-VE120 | |
| 97 | 24 | PK | D01886 | 52 | | 36-11-51 | D08068J | 23 | | L2 | 3 | | VB331-VB370, VB441-VB450, VE121-VE170, VF001-VF010, VF021-VF060, VF171-VF180 | |
| 97 | 24 | PK | D01886 | 52 | | 36-11-51 | D08068J | 23 | | L2 | 2 | | VF251-VF260 | |
| 98 | 22 | PA | D01886 | 16 | | 36-11-51 | SM00003 | | W | L2 | 2 | | VA301-VA700, VB051-VB200, VB251-VB280, VB321-VB330, VB401-VB410, VE101-VE120 | |
| 98 | 24 | PK | D08112J | 44 | | 21-58-17 | TB0248Y | A009 | BJ | L2 | 3 | | VF051-VF060 | |

286T1078-102
Wire Bundle Assembly
Figure 102 (Sheet 16)

25-71-01



COMPONENT
MAINTENANCE MANUAL

| WIRE | | | FROM EQUIPMENT | | | | TO EQUIPMENT | | | | WIRE INFO | | | |
|--------|----|-----|----------------|------|----|----------|--------------|------|----|---------|-----------|-------|--|--|
| NUMBER | GA | TYP | NUMBER | TERM | TT | WDM REF | NUMBER | TERM | TT | EMC/SEP | FT | NOTES | EFFECTIVITY | |
| 99 | 22 | PA | D01886 | 2 | | 36-22-11 | D08030J | 44 | | L2 | 3 | | VA301-VA700, VB051-VB200, VB251-VB280, VB321-VB370, VB401-VB410, VB441-VB450, VE101-VE170, VF001-VF010, VF021-VF060, VF171-VF180 | |
| 99 | 22 | PA | D01886 | 2 | | 36-22-11 | D08030J | 44 | | L2 | 2 | | VF251-VF260 | |
| 100 | 22 | PA | SM00006 | | W | 36-11-61 | D08068J | 31 | | L2 | 3 | | VA301-VA700, VB051-VB200, VB251-VB280, VB321-VB330, VB401-VB410, VE101-VE120 | |
| 100 | 22 | PA | D01886 | 31 | | 36-11-61 | D08068J | 31 | | L2 | 3 | | VB331-VB370, VB441-VB450, VE121-VE170, VF001-VF010, VF021-VF060, VF171-VF180 | |
| 100 | 22 | PA | D01886 | 31 | | 36-11-61 | D08068J | 31 | | L2 | 2 | | VF251-VF260 | |
| 101 | 24 | PK | D01886 | 3 | | 36-11-61 | D08068J | 35 | | L2 | 3 | | VA301-VA700, VB051-VB200, VB251-VB280, VB321-VB330, VB401-VB410, VE101-VE120 | |
| 101 | 24 | PK | D01886 | 1 | | 36-11-61 | D08068J | 35 | | L2 | 3 | | VB331-VB370, VB441-VB450, VE121-VE170, VF001-VF010, VF021-VF060, VF171-VF180 | |
| 101 | 24 | PK | D01886 | 1 | | 36-11-61 | D08068J | 35 | | L2 | 2 | | VF251-VF260 | |
| 102 | 22 | PA | D01886 | 56 | | 36-11-61 | D08068J | 33 | | L2 | 3 | | VA301-VA700, VB051-VB200, VB251-VB280, VB321-VB330, VB401-VB410, VE101-VE120 | |
| 102 | 22 | PA | D01886 | 56 | | 36-11-61 | D08068J | 33 | | L2 | 2 | | VF251-VF260 | |
| 103 | 24 | PK | D01886 | 13 | W | 36-11-61 | D08068J | 33 | | L2 | 3 | | VA301-VA700, VB051-VB200, VB251-VB280, VB321-VB330, VB401-VB410, VE101-VE120 | |
| 103 | 24 | PK | D01886 | 58 | | 36-11-61 | D08068J | 32 | | L2 | 3 | | VB331-VB370, VB441-VB450, VE121-VE170, VF001-VF010, VF021-VF060, VF171-VF180 | |
| 103 | 24 | PK | D01886 | 58 | | 36-11-61 | D08068J | 32 | | L2 | 2 | | VF251-VF260 | |
| 104 | 22 | PA | D01886 | 33 | | 36-11-61 | D08068J | 36 | | L2 | 3 | | VA301-VA700, VB051-VB200, VB251-VB280, VB321-VB330, VB401-VB410, VE101-VE120 | |
| 104 | 22 | PA | SM00007 | | W | 36-11-61 | D08068J | 36 | | L2 | 4 | | VB331-VB370, VB441-VB450 | |
| 104 | 22 | PA | SM00007 | | W | 36-11-61 | D08068J | 36 | | L2 | 2 | | VE121-VE170, VF021-VF060, VF171-VF180, VF251-VF260 | |
| 104 | 22 | PA | SM00007 | | W | 36-11-61 | D08068J | 36 | | L2 | 4 | | VF001-VF010 | |
| 105 | 24 | PK | D01886 | 28 | | 36-11-41 | TE0248Y | A003 | BJ | L2 | 4 | | VA301-VA700, VB051-VB200, VB251-VB280, VB321-VB330, VB401-VB410, VE101-VE120 | |
| 105 | 24 | PK | D01886 | 64 | | 36-11-41 | TE0248Y | A003 | BJ | L2 | 4 | | VB331-VB370, VB441-VB450, VE121-VE170, VF001-VF010, VF021-VF060, VF171-VF180 | |

286T1078-102
Wire Bundle Assembly
Figure 102 (Sheet 17)

25-71-01



BOEING
COMPONENT
MAINTENANCE MANUAL

| WIRE | | FROM EQUIPMENT | | | TO EQUIPMENT | | | WIRE INFO | | | | | |
|--------|----|----------------|---------|------|--------------|----------|---------|-----------|----|---------|----|--------|---|
| NUMBER | GA | TYP | NUMBER | TERM | TT | WDM REF | NUMBER | TERM | TT | EMC/SEP | FT | NOTES | EFFECTIVITY |
| 105 | 24 | PK | D01886 | 64 | | 36-11-41 | TB0248Y | A003 | BJ | L2 | 3 | | VF251-VF260 |
| 106 | 24 | PK | TB0158Y | C005 | BJ | 36-11-51 | D08068J | 26 | | L2 | 3 | | VA301-VA700, VB051-VB200, VB251-VB280, VB321-VB370, VB401-VB410, VB441-VB450, VE101-VE170, VF001-VF010, VF021-VF060, VF171-VF180 |
| 106 | 24 | PK | TB0158Y | C005 | BJ | 36-11-51 | D08068J | 26 | | L2 | 2 | | VF251-VF260 |
| 107 | 24 | PK | TB0158Y | C005 | BJ | 36-11-51 | D08068J | 29 | | L2 | 3 | | VA301-VA700, VB051-VB200, VB251-VB280, VB321-VB370, VB401-VB410, VB441-VB450, VE101-VE170, VF001-VF010, VF021-VF060, VF171-VF180 |
| 107 | 24 | PK | TB0158Y | C005 | BJ | 36-11-51 | D08068J | 29 | | L2 | 2 | | VF251-VF260 |
| 108 | 22 | PA | TB0182Y | A002 | BJ | 21-58-11 | D04978J | 33 | | R2 | 3 | | VA301-VA315, VA501-VA510, VB051-VB054, VB102-VB110, VB122-VB123, VB251-VB253, VB321-VB322, VB401-VB401 |
| 108 | 22 | PA | TB0182Y | A002 | BJ | 21-58-11 | D08112J | 34 | | R2 | 3 | | VA316-VA500, VA520-VA700, VB056-VB100, VB124-VB200, VB254-VB280, VB325-VB370, VB402-VB410, VB441-VB450, VE104-VE115, VE118-VE170, VF001-VF010, VF021-VF060, VF171-VF180 |
| 108 | 22 | PA | TB0182Y | A002 | BJ | 21-58-11 | D04978J | 49 | | R2 | 3 | | VA511-VA519, VB055-VB055, VB111-VB121, VB323-VB324, VE101-VE103, VE116-VE117 |
| 108 | 22 | PA | TB0182Y | A002 | BJ | 21-58-11 | D08112J | 34 | | R2 | 3 | ZSZ-B6 | VB101-VB101 |
| 108 | 22 | PA | TB0182Y | A002 | BJ | 21-58-11 | D08112J | 34 | | R2 | 2 | | VF251-VF260 |
| 109 | 22 | PA | D02160 | 56 | | 73-21-16 | TB0182X | B015 | BJ | L2 | 4 | | VA301-VA700, VB051-VB200, VB251-VB280, VB321-VB330, VB401-VB410, VE101-VE170, VF001-VF010, VF021-VF060 |
| 110 | 24 | PK | D08068J | 47 | | 28-22-12 | TB0248X | D001 | BJ | L2 | 3 | | VA301-VA700, VB051-VB200, VB251-VB280, VB321-VB370, VB401-VB410, VB441-VB450, VE101-VE170, VF001-VF010, VF021-VF060, VF171-VF180 |
| 110 | 24 | PK | D08068J | 47 | | 28-22-12 | TB0248X | D001 | BJ | L2 | 2 | | VF251-VF260 |
| 111 | 22 | PA | D02672 | 26 | | 22-24-11 | D05277J | 1 | | L2 | 3 | | VA301-VA315, VA501-VA700, VB051-VB200, VB251-VB280, VB321-VB370, VB401-VB410, VB441-VB450, VE101-VE170, VF001-VF010, VF021-VF060, VF171-VF180 |
| 111 | 22 | PA | D02672 | 26 | | 27-41-11 | D05277J | 1 | | L2 | 3 | | VA316-VA500 |
| 111 | 22 | PA | D02672 | 26 | | 22-24-11 | D05277J | 1 | | L2 | 2 | | VF251-VF260 |

286T1078-102
Wire Bundle Assembly
Figure 102 (Sheet 18)

25-71-01



COMPONENT
MAINTENANCE MANUAL

| WIRE | | | FROM EQUIPMENT | | | | TO EQUIPMENT | | | | WIRE INFO | | | |
|--------|----|-----|----------------|-------|----|----------|--------------|---------|----|-------------|-----------|--------|---|--|
| NUMBER | GA | TYP | NUMBER | TERM | TT | WDM REF | NUMBER | TERM | TT | EMC/ SEP | FT | NOTES | EFFECTIVITY | |
| 112 | 24 | PK | D02672 | 22 | | 22-12-11 | D05277J | 22 | | L2 | 3 | | VA301-VA700, VB051-VB200, VB251-VB280, VB321-VB370, VB401-VB410, VB441-VB450, VE101-VE170, VF001-VF010, VF021-VF060, VF171-VF180 | |
| 112 | 24 | PK | D02672 | 22 | | 22-12-11 | D05277J | 22 | | L2 | 2 | | VF251-VF260 | |
| 113 | 24 | PK | D02672 | 23 | | 22-12-11 | D05277J | 23 | | L2 | 3 | | VA301-VA700, VB051-VB200, VB251-VB280, VB321-VB370, VB401-VB410, VB441-VB450, VE101-VE170, VF001-VF010, VF021-VF060, VF171-VF180 | |
| 113 | 24 | PK | D02672 | 23 | | 22-12-11 | D05277J | 23 | | L2 | 2 | | VF251-VF260 | |
| 114 | 24 | PK | D08112J | 14 | | 21-51-11 | TB0248Y | CAP Y | | L2 | 3 | | VA301-VA530, VA501-VA530, VB323-VB324, VE101-VE104, VE116-VE117, VF041-VF042 | |
| 114 | 24 | PK | D08112J | 14 | | 21-51-11 | TB0248Y | C004 BJ | | L2 | 3 | | VA316-VA500, VA700-VA700, VB056-VB100, VB102-VB200, VB251-VB280, VB401-VB401, VE141-VE146, VF001-VF002, VF051-VF051 | |
| 114 | 24 | PK | D08112J | 14 | | 21-51-11 | TB0248Y | CAP Y | | L2 | 3 | ZSZ-B6 | VB051-VB055, VE121-VE126 | |
| 114 | 24 | PK | D08112J | 14 | | 21-51-11 | TB0248Y | C004 BJ | | L2 | 3 | ZSZ-B6 | VB101-VB101 | |
| 114 | 24 | PK | D08112J | CAP Y | | 21-51-11 | TB0248Y | C004 BJ | | L2 | 3 | ZSZ-B6 | VB321-VB322, VB325-VB330 | |
| 115 | 22 | PA | D02672 | 8 | | 27-58-21 | GDX0001 | A.. 2 | | L2 | 3 | | VA301-VA700, VB051-VB200, VB251-VB280, VB321-VB370, VB401-VB410, VB441-VB450, VE101-VE170, VF001-VF010, VF021-VF060, VF171-VF180 | |
| 115 | 22 | PA | D02672 | 8 | | 27-58-21 | GDX0001 | A.. 2 | | L2 | 2 | | VF251-VF260 | |
| 116 | 24 | PK | D03742 | 29 | | 21-26-11 | TB0158F | A020 2 | | L2 | 3 | | VA301-VA700, VB051-VB100, VB102-VB200, VB251-VB280, VB321-VB370, VB401-VB410, VB441-VB450, VE101-VE170, VF001-VF010, VF021-VF060, VF171-VF180 | |
| 116 | 24 | PK | D03742 | 29 | | 21-58-19 | TB0158F | A020 2 | | L2 | 3 | ZSZ-B6 | VB101-VB101 | |
| 116 | 24 | PK | D03742 | 29 | | 21-26-11 | TB0158F | A020 2 | | L2 | 3 | | VF251-VF260 | |
| 117 | 24 | PK | D02672 | 7 | | 27-58-21 | D08030J | 29 | | L2 | 4 | | VA301-VA700, VB051-VB200, VB251-VB280, VB321-VB370, VB401-VB410, VB441-VB450, VE101-VE170, VF001-VF010, VF021-VF060, VF171-VF180 | |
| 117 | 24 | PK | D02672 | 7 | | 27-58-21 | D08030J | 29 | | L2 | 2 | | VF251-VF260 | |
| 118 | 24 | PK | D02160 | 40 | | 73-21-15 | D08030J | 10 | | L2 | 3 | | VA301-VA700, VB051-VB200, VB251-VB280, VB321-VB330, VB401-VB410, VE101-VE120 | |
| 119 | 24 | PK | D02160 | 21 | | 73-21-15 | TB0182X | A014 BJ | | L2 | 4 | | VA301-VA700, VB051-VB200, VB251-VB280, VB321-VB330, VB401-VB410, VE101-VE120 | |

286T1078-102
Wire Bundle Assembly
Figure 102 (Sheet 19)

25-71-01



BOEING
COMPONENT
MAINTENANCE MANUAL

| WIRE | | | FROM EQUIPMENT | | | | TO EQUIPMENT | | | | WIRE INFO | | | |
|--------|----|-----|----------------|------|----|----------|--------------|------|----|---------|-----------|--------|---|--|
| NUMBER | GA | TYP | NUMBER | TERM | TT | WDM REF | NUMBER | TERM | TT | EMC/SEP | FT | NOTES | EFFECTIVITY | |
| 120 | 24 | PK | D02672 | 38 | | 22-12-11 | D05277J | 24 | | L2 | 3 | | VA301-VA700,VB051-VB200,VB251-VB280,VB321-VB370,VB401-VB410,VB441-VB450,VE101-VE170,VF001-VF010,VF021-VF060,VF171-VF180 | |
| 120 | 24 | PK | D02672 | 38 | | 22-12-11 | D05277J | 24 | | L2 | 2 | | VF251-VF260 | |
| 121 | 24 | PK | D02672 | 39 | | 22-12-11 | D05277J | 25 | | L2 | 3 | | VA301-VA700,VB051-VB200,VB251-VB280,VB321-VB370,VB401-VB410,VB441-VB450,VE101-VE170,VF001-VF010,VF021-VF060,VF171-VF180 | |
| 121 | 24 | PK | D02672 | 39 | | 22-12-11 | D05277J | 25 | | L2 | 2 | | VF251-VF260 | |
| 122 | 22 | PA | D02672 | 28 | | 73-21-19 | D08030J | 32 | | L2 | 4 | | VA301-VA700,VB051-VB200,VB251-VB280,VB321-VB370,VB401-VB410,VB441-VB450,VE101-VE170,VF001-VF010,VF021-VF060,VF171-VF180 | |
| 122 | 22 | PA | D02672 | 28 | | 73-21-19 | D08030J | 32 | | L2 | 2 | | VF251-VF260 | |
| 123 | 22 | PA | D02160 | 60 | | 73-21-16 | TB0182X | C015 | BJ | L2 | 4 | | VA301-VA700,VB051-VB200,VB251-VB280,VB321-VB330,VB401-VB410,VE101-VE120 | |
| 124 | 22 | PA | D02160 | 62 | | 73-21-19 | TB0248Y | A004 | BJ | L2 | 5 | | VA301-VA500,VB321-VB370,VB441-VB450,VE101-VE170,VF001-VF010,VF021-VF060,VF171-VF180 | |
| 124 | 22 | PA | D02160 | 62 | | 73-21-19 | TB0248Y | A004 | BJ | L2 | 4 | | VA501-VA700,VB051-VB200,VB251-VB280,VB401-VB410 | |
| 124 | 22 | PA | D02160 | 62 | | 73-21-19 | TB0248Y | A004 | BJ | L2 | 3 | | VF251-VF260 | |
| 125 | 22 | PA | D02160 | 30 | | 73-21-19 | D08030J | 14 | | R2 | 4 | | VA301-VA700,VB051-VB200,VB251-VB280,VB321-VB370,VB401-VB410,VB441-VB450,VE101-VE170,VF001-VF010,VF021-VF060,VF171-VF180 | |
| 125 | 22 | PA | D02160 | 30 | | 73-21-19 | D08030J | 14 | | R2 | 2 | | VF251-VF260 | |
| 126 | 22 | PA | D02160 | 32 | | 73-21-19 | D08030J | 30 | | L2 | 3 | | VA301-VA700,VB051-VB200,VB251-VB280,VB321-VB370,VB401-VB410,VB441-VB450,VE101-VE170,VF001-VF010,VF021-VF060,VF171-VF180 | |
| 126 | 22 | PA | D02160 | 32 | | 73-21-19 | D08030J | 30 | | L2 | 2 | | VF251-VF260 | |
| 127 | 22 | PA | D02160 | 43 | | 73-21-17 | GDX0001 | D.. | 2 | L2 | 3 | | VA301-VA700,VB051-VB100,VB102-VB200,VB251-VB280,VB321-VB370,VB401-VB410,VB441-VB450,VE101-VE170,VF001-VF010,VF021-VF060,VF171-VF180 | |
| 127 | 22 | PA | D02160 | 43 | | 73-21-17 | GDX0001 | D.. | 2 | L2 | 3 | ZSZ-B6 | VB101-VB101 | |
| 127 | 22 | PA | D02160 | 43 | | 73-21-17 | GDX0001 | D.. | 2 | L2 | 2 | | VF251-VF260 | |

286T1078-102
Wire Bundle Assembly
Figure 102 (Sheet 20)

25-71-01



COMPONENT
MAINTENANCE MANUAL

| WIRE | | FROM EQUIPMENT | | | TO EQUIPMENT | | | WIRE INFO | | | | | |
|--------|----|----------------|---------|------|--------------|----------|---------|-----------|----|---------|----|-------|--|
| NUMBER | GA | TYP | NUMBER | TERM | TT | WDM REF | NUMBER | TERM | TT | EMC/SEP | FT | NOTES | EFFECTIVITY |
| 128 | 24 | PK | D02160 | 46 | | 73-21-17 | D08030J | 9 | | L2 | 3 | | VA301-VA700, VB051-VB200, VB251-VB280, VB321-VB330, VB401-VB410, VE101-VE120 |
| 129 | 24 | PK | D02160 | 10 | | 73-21-17 | TB0182X | A013 | BJ | L2 | 4 | | VA301-VA700, VB051-VB200, VB251-VB280, VB321-VB330, VB401-VB410, VE101-VE120 |
| 130 | 24 | PK | D02160 | 41 | | 22-32-13 | D05277J | 11 | | L2 | 3 | | VA301-VA700, VB051-VB200, VB251-VB280, VB321-VB370, VB401-VB410, VB441-VB450, VE101-VE170, VF001-VF010, VF021-VF060, VF171-VF180 |
| 130 | 24 | PK | D02160 | 41 | | 22-32-13 | D05277J | 11 | | L2 | 2 | | VF251-VF260 |
| 135 | 24 | PK | D05209J | 20 | | 31-51-42 | TB0182D | A026 | 2 | L2 | 3 | | VA301-VA700, VB051-VB200, VB251-VB280, VB321-VB370, VB401-VB410, VB441-VB450, VE101-VE170, VF001-VF010, VF021-VF060, VF171-VF180 |
| 135 | 24 | PK | D05209J | 20 | | 31-51-42 | TB0182D | A026 | 2 | L2 | 2 | | VF251-VF260 |
| 136 | 24 | PK | D08068J | 30 | | 36-11-41 | TB0248Y | A003 | BJ | L2 | 3 | | VA301-VA700, VB051-VB200, VB251-VB280, VB321-VB370, VB401-VB410, VB441-VB450, VE101-VE170, VF001-VF010, VF021-VF060, VF171-VF180 |
| 136 | 24 | PK | D08068J | 30 | | 36-11-41 | TB0248Y | A003 | BJ | L2 | 2 | | VF251-VF260 |
| 137 | 24 | PK | TB0182X | D015 | BJ | 73-21-16 | D02160 | 61 | | L2 | 4 | | VA301-VA700, VB051-VB200, VB251-VB280, VB321-VB370, VB401-VB410, VB441-VB450, VE101-VE170, VF001-VF010, VF021-VF060, VF171-VF180 |
| 137 | 24 | PK | TB0182X | D015 | BJ | 73-21-16 | D02160 | 61 | | L2 | 3 | | VF251-VF260 |
| 138 | 24 | PK | D02160 | 42 | | 73-21-17 | TB0182X | B11 | BJ | L2 | 0 | | VB051-VB054 |
| 139 | 24 | PK | D02160 | 48 | | 73-21-17 | TB0182X | B013 | BJ | L2 | 4 | | VA301-VA700, VB051-VB200, VB251-VB280, VB321-VB330, VB401-VB410, VE101-VE120 |
| 140 | 24 | PK | D02160 | 9 | | 73-21-17 | D08030J | 36 | | L2 | 3 | | VA301-VA700, VB051-VB200, VB251-VB280, VB321-VB370, VB401-VB410, VB441-VB450, VE101-VE170, VF001-VF010, VF021-VF060, VF171-VF180 |
| 140 | 24 | PK | D02160 | 9 | | 73-21-17 | D08030J | 36 | | L2 | 2 | | VF251-VF260 |
| 141 | 24 | PK | D02160 | 36 | | 73-21-16 | D08030J | 34 | | L2 | 3 | | VA301-VA700, VB051-VB200, VB251-VB280, VB321-VB370, VB401-VB410, VB441-VB450, VE101-VE170, VF001-VF010, VF021-VF060, VF171-VF180 |
| 141 | 24 | PK | D02160 | 36 | | 73-21-16 | D08030J | 34 | | L2 | 2 | | VF251-VF260 |
| 142 | 24 | PK | D02160 | 1 | | 73-21-16 | D08030J | 8 | | L2 | 3 | | VA301-VA700, VB051-VB200, VB251-VB280, VB321-VB330, VB401-VB410, VE101-VE170, VF001-VF010, VF021-VF060 |

286T1078-102
Wire Bundle Assembly
Figure 102 (Sheet 21)

25-71-01



BOEING
COMPONENT
MAINTENANCE MANUAL

| WIRE | | | FROM EQUIPMENT | | | TO EQUIPMENT | | | WIRE INFO | | | | |
|--------|----|-----|----------------|------|----|--------------|---------|------|-----------|-------------|----|-------|---|
| NUMBER | GA | TYP | NUMBER | TERM | TT | WDM REF | NUMBER | TERM | TT | EMC/ SEP | FT | NOTES | EFFECTIVITY |
| 143 | 24 | PK | D02160 | 2 | | 22-32-13 | D05277J | 8 | | L2 | 3 | | VA301-VA700,VB051-VB200,VB251-VB280,VB321-VB370,VB401-VB410,VB441-VB450,VE101-VE170,VF001-VF010,VF021-VF060,VF171-VF180 |
| 143 | 24 | PK | D02160 | 2 | | 22-32-13 | D05277J | 8 | | L2 | 2 | | VF251-VF260 |
| 144 | 24 | PK | D02160 | 26 | | 73-21-17 | TB0182X | D012 | BJ | R2 | 4 | | VA301-VA700,VB051-VB200,VB251-VB280,VB321-VB370,VB401-VB410,VB441-VB450,VE101-VE170,VF001-VF010,VF021-VF060,VF171-VF180 |
| 144 | 24 | PK | D02160 | 26 | | 73-21-17 | TB0182X | D012 | BJ | R2 | 3 | | VF251-VF260 |
| 145 | 24 | PK | D02160 | 15 | | 22-32-13 | D05277J | 10 | | L2 | 3 | | VA301-VA700,VB051-VB200,VB251-VB280,VB321-VB370,VB401-VB410,VB441-VB450,VE101-VE170,VF001-VF010,VF021-VF060,VF171-VF180 |
| 145 | 24 | PK | D02160 | 15 | | 22-32-13 | D05277J | 10 | | L2 | 2 | | VF251-VF260 |
| 146 | 24 | PK | D02160 | 49 | | 73-21-17 | D08030J | 37 | | R2 | 3 | | VA301-VA700,VB051-VB200,VB251-VB280,VB321-VB370,VB401-VB410,VB441-VB450,VE101-VE170,VF001-VF010,VF021-VF060,VF171-VF180 |
| 146 | 24 | PK | D02160 | 49 | | 73-21-17 | D08030J | 37 | | R2 | 2 | | VF251-VF260 |
| 147 | 24 | PK | D02160 | 19 | | 73-21-15 | TB0182X | B014 | BJ | L2 | 4 | | VA301-VA700,VB051-VB200,VB251-VB280,VB321-VB330,VB401-VB410,VE101-VE120 |
| 147 | 24 | PK | D02160 | 19 | | 73-21-15 | TB0182G | 24 | 2 | L2 | 4 | | VE121-VE170,VF001-VF010,VF021-VF060 |
| 148 | 24 | PK | D02160 | 55 | | 73-21-15 | TB0182X | C014 | BJ | L2 | 4 | | VA301-VA700,VB051-VB200,VB251-VB280,VB321-VB330,VB401-VB410,VE101-VE170,VF001-VF010,VF021-VF060 |
| 150 | 24 | PK | D02160 | 24 | | 73-21-17 | D08030J | 39 | | L2 | 3 | | VA301-VA700,VB051-VB200,VB251-VB280,VB321-VB330,VB401-VB410,VE101-VE120 |
| 151 | 24 | PK | D02160 | 59 | | 73-21-16 | D08030J | 7 | | L2 | 3 | | VA301-VA700,VB051-VB200,VB251-VB280,VB321-VB330,VB401-VB410,VE101-VE120 |
| 155 | 24 | PK | D02160 | 44 | | 73-21-15 | TB0158F | C026 | 2 | L2 | 4 | | VA301-VA700,VB051-VB200,VB251-VB280,VB321-VB370,VB401-VB410,VB441-VB450,VE101-VE170,VF001-VF010,VF021-VF060,VF171-VF180 |
| 155 | 24 | PK | D02160 | 44 | | 73-21-15 | TB0158F | C026 | 2 | L2 | 3 | | VF251-VF260 |
| 156 | 24 | PK | D08066J | 51 | | 30-31-11 | TB0248Y | C013 | BJ | L2 | 3 | | VA301-VA700,VB051-VB200,VB251-VB280,VB321-VB370,VB401-VB410,VB441-VB450,VE101-VE170,VF001-VF010,VF021-VF060,VF171-VF180 |
| 156 | 24 | PK | D08066J | 51 | | 30-31-11 | TB0248Y | C013 | BJ | L2 | 2 | | VF251-VF260 |

286T1078-102
Wire Bundle Assembly
Figure 102 (Sheet 22)

25-71-01

| WIRE | | | FROM EQUIPMENT | | | TO EQUIPMENT | | | WIRE INFO | | |
|--------|----|-----|----------------|---------|----------|--------------|---------|---------|-----------|-------|--|
| NUMBER | GA | TYP | NUMBER | TERM TT | WDM REF | NUMBER | TERM TT | EMC/SEP | FT | NOTES | EFFECTIVITY |
| 157 | 22 | PA | D08068J | 17 | 36-11-51 | TB0248X | B002 BJ | L2 | 3 | | VA301-VA700, VB051-VB200, VB251-VB280, VB321-VB370, VB401-VB410, VB441-VB450, VE101-VE170, VF001-VF010, VF021-VF060, VF171-VF180 |
| 157 | 22 | PA | D08068J | 17 | 36-11-51 | TB0248X | B002 BJ | L2 | 2 | | VF251-VF260 |
| 161 | 24 | PK | D08112J | 22 | 73-21-18 | TB0182X | A008 BJ | L2 | 3 | | VA301-VA700, VB051-VB200, VB251-VB280, VB321-VB370, VB401-VB410, VB441-VB450, VE101-VE170, VF001-VF010, VF021-VF060, VF171-VF180 |
| 161 | 24 | PK | D08112J | 22 | 73-21-18 | TB0182X | A008 BJ | L2 | 2 | | VF251-VF260 |
| 162 | 22 | PA | D02160 | 31 | 73-21-19 | TB0182Y | C006 BJ | L2 | 4 | | VA301-VA700, VB051-VB200, VB251-VB280, VB321-VB330, VB401-VB410, VE101-VE170, VF001-VF010, VF021-VF060 |
| 162 | 22 | PA | D02160 | 31 | 73-21-19 | TB0182X | A011 BJ | L2 | 4 | | VB331-VB370, VB441-VB450, VF171-VF180 |
| 162 | 22 | PA | D02160 | 31 | 73-21-19 | TB0182X | A011 BJ | L2 | 3 | | VF251-VF260 |
| 164 | 24 | PK | D02160 | 57 | 73-21-15 | D08030J | 13 | L2 | 3 | | VA301-VA700, VB051-VB200, VB251-VB280, VB321-VB330, VB401-VB410, VE101-VE120 |
| 164 | 24 | PK | D02160 | 57 | 73-21-15 | TB0182Y | A003 BJ | L2 | 4 | | VE121-VE170, VF001-VF010, VF021-VF060 |
| 165 | 24 | PK | D02160 | 13 | 22-32-13 | D05277J | 9 | L2 | 3 | | VA301-VA700, VB051-VB200, VB251-VB280, VB321-VB370, VB401-VB410, VB441-VB450, VE101-VE170, VF001-VF010, VF021-VF060, VF171-VF180 |
| 165 | 24 | PK | D02160 | 13 | 22-32-13 | D05277J | 9 | L2 | 2 | | VF251-VF260 |
| 166 | 24 | PK | D02160 | 3 | 73-21-15 | D08030J | 12 | L2 | 3 | | VA301-VA700, VB051-VB200, VB251-VB280, VB321-VB330, VB401-VB410, VE101-VE170, VF001-VF010, VF021-VF060 |
| 167 | 24 | PK | D02160 | 38 | 73-21-15 | TB0182Y | C005 BJ | R2 | 4 | | VA301-VA700, VB051-VB200, VB251-VB280, VB321-VB370, VB401-VB410, VB441-VB450, VE101-VE170, VF001-VF010, VF021-VF060, VF171-VF180 |
| 167 | 24 | PK | D02160 | 38 | 73-21-15 | TB0182Y | C005 BJ | R2 | 3 | | VF251-VF260 |
| 168 | 24 | PK | D02160 | 4 | 22-32-13 | D05277J | 12 | L2 | 3 | | VA301-VA700, VB051-VB200, VB251-VB280, VB321-VB370, VB401-VB410, VB441-VB450, VE101-VE170, VF001-VF010, VF021-VF060, VF171-VF180 |
| 168 | 24 | PK | D02160 | 4 | 22-32-13 | D05277J | 12 | L2 | 2 | | VF251-VF260 |
| 169 | 24 | PK | D02160 | 22 | 73-21-15 | TB0182Y | C005 BJ | R2 | 4 | | VA301-VA700, VB051-VB200, VB251-VB280, VB321-VB370, VB401-VB410, VB441-VB450, VE101-VE170, VF001-VF010, VF021-VF060, VF171-VF180 |

 286T1078-102
 Wire Bundle Assembly
 Figure 102 (Sheet 23)

25-71-01



BOEING
COMPONENT
MAINTENANCE MANUAL

| WIRE | | FROM EQUIPMENT | | | TO EQUIPMENT | | | WIRE INFO | | | | | |
|--------|----|----------------|---------|------|--------------|----------|---------|-----------|----|---------|----|-------|--|
| NUMBER | GA | TYP | NUMBER | TERM | TT | WDM REF | NUMBER | TERM | TT | EMC/SEP | FT | NOTES | EFFECTIVITY |
| 169 | 24 | PK | D02160 | 22 | | 73-21-15 | TB0182Y | C005 | BJ | R2 | 3 | | VF251-VF260 |
| 171 | 24 | PK | D02160 | 33 | | 73-21-15 | TB0158G | 10 | 2 | L2 | 4 | | VA301-VA700, VB051-VB200, VB251-VB280, VB321-VB370, VB401-VB410, VB441-VB450, VE101-VE170, VF001-VF010, VF021-VF060, VF171-VF180 |
| 171 | 24 | PK | D02160 | 33 | | 73-21-15 | TB0158G | 10 | 2 | L2 | 3 | | VF251-VF260 |
| 174 | 24 | PK | D02160 | 53 | | 73-21-15 | TB0158F | A015 | 2 | L2 | 4 | | VA301-VA700, VB051-VB200, VB251-VB280, VB321-VB370, VB401-VB410, VB441-VB450, VE101-VE170, VF001-VF010, VF021-VF060, VF171-VF180 |
| 174 | 24 | PK | D02160 | 53 | | 73-21-15 | TB0158F | A015 | 2 | L2 | 3 | | VF251-VF260 |
| 175 | 24 | PK | D02160 | 54 | | 73-21-15 | TB0158F | C015 | 2 | L2 | 4 | | VA301-VA700, VB051-VB200, VB251-VB280, VB321-VB370, VB401-VB410, VB441-VB450, VE101-VE170, VF001-VF010, VF021-VF060, VF171-VF180 |
| 175 | 24 | PK | D02160 | 54 | | 73-21-15 | TB0158F | C015 | 2 | L2 | 3 | | VF251-VF260 |
| 176 | 24 | PK | D08112J | 25 | | 36-11-52 | TB0248X | A011 | BJ | L2 | 3 | | VA301-VA700, VB051-VB200, VB251-VB280, VB321-VB370, VB401-VB410, VB441-VB450, VE101-VE170, VF001-VF010, VF021-VF060, VF171-VF180 |
| 176 | 24 | PK | D08112J | 25 | | 36-11-52 | TB0248X | A011 | BJ | L2 | 2 | | VF251-VF260 |
| 177 | 24 | PK | D08112J | 4 | | 36-11-61 | D01886 | 17 | | L2 | 4 | | VA301-VA700, VB051-VB200, VB251-VB280, VB321-VB330, VB401-VB410, VE101-VE120 |
| 177 | 24 | PK | D08112J | 4 | | 36-11-61 | D01886 | 37 | | L2 | 4 | | VF251-VF260 |
| 177 | 24 | PK | D08112J | 4 | | 36-11-61 | D01886 | 37 | | L2 | 2 | | VA301-VA700, VB051-VB200, VB251-VB280, VB321-VB331-VB370, VB441-VB450, VE121-VE170, VF001-VF010, VF021-VF060, VF171-VF180 |
| 178 | 24 | PK | D02160 | 37 | | 34-61-13 | TB0182Y | A005 | BJ | L2 | 4 | | VF251-VF260 |
| 178 | 24 | PK | D02160 | 37 | | 34-61-13 | TB0182Y | A005 | BJ | L2 | 3 | | VA301-VA700, VB051-VB200, VB251-VB280, VB321-VB370, VB401-VB410, VB441-VB450, VE101-VE170, VF001-VF010, VF021-VF060, VF171-VF180 |
| 179 | 24 | PK | D02160 | 7 | | 34-61-13 | TB0182Y | A004 | BJ | L2 | 4 | | VF251-VF260 |
| 179 | 24 | PK | D02160 | 7 | | 34-61-13 | TB0182Y | A004 | BJ | L2 | 3 | | VA301-VA700, VB051-VB200, VB251-VB280, VB321-VB370, VB401-VB410, VB441-VB450, VE101-VE170, VF001-VF010, VF021-VF060, VF171-VF180 |
| 180 | 24 | PK | D02160 | 45 | | 34-61-13 | TB0182Y | A009 | BJ | L2 | 4 | | VF251-VF260 |
| 180 | 24 | PK | D02160 | 45 | | 34-61-13 | TB0182Y | A009 | BJ | L2 | 3 | | VA301-VA700, VB051-VB200, VB251-VB280, VB321-VB370, VB401-VB410, VB441-VB450, VE101-VE170, VF001-VF010, VF021-VF060, VF171-VF180 |
| 180 | 24 | PK | D02160 | 45 | | 34-61-13 | TB0182Y | A009 | BJ | L2 | 3 | | VF251-VF260 |

286T1078-102
Wire Bundle Assembly
Figure 102 (Sheet 24)

25-71-01

| WIRE | | | FROM EQUIPMENT | | | | TO EQUIPMENT | | | | WIRE INFO | | | |
|--------|----|-----|----------------|------|----|----------|--------------|------|----|---------|-----------|-------|---|--|
| NUMBER | GA | TYP | NUMBER | TERM | TT | WDM REF | NUMBER | TERM | TT | EMC/SEP | FT | NOTES | EFFECTIVITY | |
| 181 | 24 | PK | D02160 | 25 | | 34-61-13 | TB0182Y | C009 | BJ | L2 | 4 | | VA301-VA700, VB051-VB200, VB251-VB280, VB321-VB370, VB401-VB410, VB441-VB450, VE101-VE170, VF001-VF010, VF021-VF060, VF171-VF180 | |
| 181 | 24 | PK | D02160 | 25 | | 34-61-13 | TB0182Y | C009 | BJ | L2 | 3 | | VF251-VF260 | |
| 182 | 24 | PK | D02160 | 35 | | 34-61-13 | TB0182Y | A010 | BJ | L2 | 4 | | VA301-VA700, VB051-VB200, VB251-VB280, VB321-VB370, VB401-VB410, VB441-VB450, VE101-VE170, VF001-VF010, VF021-VF060, VF171-VF180 | |
| 182 | 24 | PK | D02160 | 35 | | 34-61-13 | TB0182Y | A010 | BJ | L2 | 3 | | VF251-VF260 | |
| 184 | 24 | PV | TB0158G | 1 | 2 | 34-61-13 | D05209J | 1 | | R2 | 3 | | VA301-VA315, VA501-VA530, VB051-VB055, VB101-VB125, VB251-VB253, VB321-VB330, VB401-VB401, VE101-VE104, VE116-VE117, VE121-VE126, VE141-VE146, VF001-VF002, VF041-VF042, VF051-VF051 | |
| 184 | 24 | PV | TB0158Y | A003 | BJ | 34-61-13 | D05209J | 1 | | R2 | 4 | | VA316-VA500, VA531-VA700, VB056-VB100, VB126-VB200, VB254-VB280, VB331-VB370, VB402-VB410, VB441-VB450, VE105-VE115, VE118-VE120, VE127-VE140, VE147-VE170, VF003-VF010, VF021-VF040, VF043-VF050, VF052-VF060, VF171-VF180 | |
| 184 | 24 | PV | TB0158Y | A003 | BJ | 34-61-13 | D05209J | 1 | | R2 | 2 | | VF251-VF260 | |
| 184Z | | | TB0158G | DED | | 34-61-13 | D05209J | DED | | L2 | | | VA301-VA700, VB051-VB200, VB251-VB280, VB321-VB330, VB401-VB410, VE101-VE117, VE121-VE146, VF001-VF010, VF021-VF060 | |
| 184Z | | | TB0158Y | DED | | 34-61-13 | D05209J | DED | | L2 | | | VF251-VF260 | |
| 185 | 24 | PV | TB0158G | 18 | 2 | 34-61-13 | D05209J | 2 | | R2 | 3 | | VB331-VB370, VB441-VB450, VE118-VE120, VE147-VE170, VF171-VF180, VF251-VF260 | |
| 185 | 24 | PV | TB0158G | 18 | 2 | 34-61-13 | D05209J | 2 | | R2 | 2 | | VF251-VF260 | |
| 185Z | | | TB0158G | DED | | 34-61-13 | D05209J | DED | | L2 | | | VA301-VA700, VB051-VB200, VB251-VB280, VB321-VB370, VB401-VB410, VB441-VB450, VE101-VE170, VF001-VF010, VF021-VF060, VF171-VF180 | |
| 186 | 24 | PV | TB0158G | 21 | 2 | 34-61-13 | D05209J | 3 | | R2 | 3 | | VA301-VA700, VB051-VB200, VB251-VB280, VB321-VB370, VB401-VB410, VB441-VB450, VE101-VE170, VF001-VF010, VF021-VF060, VF171-VF180 | |
| 186 | 24 | PV | TB0158G | 21 | 2 | 34-61-13 | D05209J | 3 | | R2 | 2 | | VF251-VF260 | |

286T1078-102
Wire Bundle Assembly
Figure 102 (Sheet 25)

25-71-01



BOEING
COMPONENT
MAINTENANCE MANUAL

| WIRE | | FROM EQUIPMENT | | | TO EQUIPMENT | | | WIRE INFO | | | | | |
|--------|----|----------------|---------|------|--------------|----------|---------|-----------|----|---------|----|-------|--|
| NUMBER | GA | TYP | NUMBER | TERM | TT | WDM REF | NUMBER | TERM | TT | EMC/SEP | FT | NOTES | EFFECTIVITY |
| 186Z | | | TB0158G | DED | | 34-61-13 | D05209J | DED | | L2 | | | VA301-VA700, VB051-VB200, VB251-VB280, VB321-VB370, VB401-VB410, VB441-VB450, VE101-VE170, VF001-VF010, VF021-VF060, VF171-VF180 |
| 187 | 24 | FV | TB0158G | 22 | 2 | 34-61-13 | D05209J | 4 | | R2 | 3 | | VF251-VF260 |
| 187Z | | | TB0158G | DED | | 34-61-13 | D05209J | DED | | L2 | | | VA301-VA700, VB051-VB200, VB251-VB280, VB321-VB370, VB401-VB410, VB441-VB450, VE101-VE170, VF001-VF010, VF021-VF060, VF171-VF180 |
| 188 | 24 | FV | TB0158G | 22 | 2 | 34-61-13 | D05209J | 4 | | R2 | 2 | | VF251-VF260 |
| 188Z | | | TB0158G | DED | | 34-61-13 | D05209J | DED | | L2 | | | VA301-VA700, VB051-VB200, VB251-VB280, VB321-VB370, VB401-VB410, VB441-VB450, VE101-VE170, VF001-VF010, VF021-VF060, VF171-VF180 |
| 189 | 24 | PK | TB0182Y | A005 | BJ | 34-61-13 | D05209J | 6 | | L2 | 3 | | VF251-VF260 |
| 189Z | | | TB0182Y | A005 | BJ | 34-61-13 | D05209J | 6 | | L2 | 2 | | VA301-VA700, VB051-VB200, VB251-VB280, VB321-VB370, VB401-VB410, VB441-VB450, VE101-VE170, VF001-VF010, VF021-VF060, VF171-VF180 |
| 190 | 24 | PK | TB0182Y | A004 | BJ | 34-61-13 | D05209J | 7 | | L2 | 3 | | VF251-VF260 |
| 190Z | | | TB0182Y | A004 | BJ | 34-61-13 | D05209J | 7 | | L2 | 2 | | VA301-VA700, VB051-VB200, VB251-VB280, VB321-VB370, VB401-VB410, VB441-VB450, VE101-VE170, VF001-VF010, VF021-VF060, VF171-VF180 |
| 191 | 24 | PK | TB0182Y | A004 | BJ | 34-61-13 | D05209J | 7 | | L2 | 2 | | VF251-VF260 |
| 191Z | | | TB0182Y | A009 | BJ | 34-61-13 | D05209J | 8 | | L2 | 3 | | VA301-VA700, VB051-VB200, VB251-VB280, VB321-VB370, VB401-VB410, VB441-VB450, VE101-VE170, VF001-VF010, VF021-VF060, VF171-VF180 |
| 192 | 24 | PK | TB0182Y | A009 | BJ | 34-61-13 | D05209J | 8 | | L2 | 2 | | VF251-VF260 |
| 192Z | | | TB0182Y | C009 | BJ | 34-61-13 | D05209J | 9 | | L2 | 3 | | VA301-VA700, VB051-VB200, VB251-VB280, VB321-VB370, VB401-VB410, VB441-VB450, VE101-VE170, VF001-VF010, VF021-VF060, VF171-VF180 |
| 193 | 24 | PK | TB0182Y | C009 | BJ | 34-61-13 | D05209J | 9 | | L2 | 2 | | VF251-VF260 |
| 193Z | | | TB0182Y | A010 | BJ | 34-61-13 | D05209J | 10 | | L2 | 3 | | VA301-VA700, VB051-VB200, VB251-VB280, VB321-VB370, VB401-VB410, VB441-VB450, VE101-VE170, VF001-VF010, VF021-VF060, VF171-VF180 |
| 194 | 24 | PK | TB0182Y | A010 | BJ | 34-61-13 | D05209J | 10 | | L2 | 2 | | VF251-VF260 |
| 194Z | | | D02672 | 29 | | 27-58-21 | TE0248D | C017 | 2 | L2 | 4 | | VA301-VA700, VB051-VB200, VB251-VB280, VB321-VB370, VB401-VB410, VB441-VB450, VE101-VE170, VF001-VF010, VF021-VF060, VF171-VF180 |

286T1078-102
Wire Bundle Assembly
Figure 102 (Sheet 26)

25-71-01

| WIRE | | | FROM EQUIPMENT | | | TO EQUIPMENT | | | WIRE INFO | | | | |
|--------|----|-----|----------------|------|----|--------------|---------|------|-----------|-------------|----|--------|--|
| NUMBER | GA | TYP | NUMBER | TERM | TT | WDM REF | NUMBER | TERM | TT | EMC/ SEP | FT | NOTES | EFFECTIVITY |
| 194 | 24 | PK | D02672 | 29 | | 27-58-21 | TB0248D | C017 | 2 | L2 | 3 | | VF251-VF260 |
| 195 | 24 | PK | D08112J | 5 | | 36-11-62 | TB0248X | B011 | BJ | L2 | 3 | | VA301-VA700, VB051-VB200, VB251-VB280, VB321-VB370, VB401-VB410, VB441-VB450, VE101-VE170, VF001-VF010, VF021-VF060, VF171-VF180 |
| 195 | 24 | PK | D08112J | 5 | | 36-11-62 | TB0248X | B011 | BJ | L2 | 2 | | VF251-VF260 |
| 197 | 22 | PA | D02672 | 43 | | 27-58-21 | GDX0001 | D.. | 2 | L2 | 3 | | VA301-VA700, VB051-VB100, VB102-VB200, VB251-VB280, VB321-VB370, VB401-VB410, VB441-VB450, VE101-VE170, VE180 |
| 197 | 22 | PA | D02672 | 43 | | 27-58-21 | GDX0001 | D.. | 2 | L2 | 3 | ZSZ-B6 | VB101-VB101 |
| 198 | 22 | PA | TB0248D | A018 | 2 | 27-61-11 | D05277J | 16 | | L2 | 3 | | VF251-VF260 |
| 198 | 22 | PA | TB0248D | A018 | 2 | 27-61-11 | D05277J | 16 | | L2 | 2 | | VF251-VF260 |
| 201B | 24 | PL | D02672 | 18 | | 27-58-31 | D08030J | 20 | | L2 | 4 | | VA301-VA700, VB051-VB200, VB251-VB280, VB321-VB370, VB401-VB410, VB441-VB450, VE101-VE170, VF001-VF010, VF021-VF060, VF171-VF180 |
| 201B | 24 | PL | D02672 | 18 | | 27-58-31 | D08030J | 20 | | L2 | 2 | | VF251-VF260 |
| 201R | 24 | PL | D02672 | 17 | | 27-58-31 | D08030J | 21 | | L2 | 2 | | VA301-VA700, VB051-VB200, VB251-VB280, VB321-VB370, VB401-VB410, VB441-VB450, VE101-VE170, VF001-VF010, VF021-VF060, VF171-VF180 |
| 202B | 24 | PL | D02672 | 21 | | 22-32-13 | D05277J | 21 | | L2 | 3 | | VF251-VF260 |
| 202B | 24 | PL | D02672 | 21 | | 22-32-13 | D05277J | 21 | | L2 | 2 | | VA301-VA700, VB051-VB200, VB251-VB280, VB321-VB370, VB401-VB410, VB441-VB450, VE101-VE170, VF001-VF010, VF021-VF060, VF171-VF180 |
| 202R | 24 | PL | D02672 | 19 | | 22-32-13 | D05277J | 20 | | L2 | 2 | | VF251-VF260 |
| 203B | 24 | PL | D02672 | 9 | | 27-58-21 | D08030J | 22 | | L2 | 4 | | VA301-VA700, VB051-VB200, VB251-VB280, VB321-VB370, VB401-VB410, VB441-VB450, VE101-VE170, VF001-VF010, VF021-VF060, VF171-VF180 |
| 203B | 24 | PL | D02672 | 9 | | 27-58-21 | D08030J | 22 | | L2 | 2 | | VF251-VF260 |
| 203R | 24 | PL | D02672 | 10 | | 27-58-21 | D08030J | 23 | | L2 | 2 | | VA301-VA700, VB051-VB200, VB251-VB280, VB321-VB370, VB401-VB410, VB441-VB450, VE101-VE170, VF001-VF010, VF021-VF060, VF171-VF180 |
| 204B | 22 | PB | D02672 | 41 | | 27-41-11 | D05277J | 5 | | L2 | 3 | | VF251-VF260 |
| 204B | 22 | PB | D02672 | 41 | | 27-41-11 | D05277J | 5 | | L2 | 2 | | VA301-VA700, VB051-VB200, VB251-VB280, VB321-VB370, VB401-VB410, VB441-VB450, VE101-VE170, VF001-VF010, VF021-VF060, VF171-VF180 |

286T1078-102
Wire Bundle Assembly
Figure 102 (Sheet 27)

25-71-01



BOEING
COMPONENT
MAINTENANCE MANUAL

| WIRE | | FROM EQUIPMENT | | TO EQUIPMENT | | WIRE INFO | | | | | | | |
|--------|----|----------------|---------|--------------|----|-----------|---------|------|----|---------|----|-------|--|
| NUMBER | GA | TYP | NUMBER | TERM | TT | WDM REF | NUMBER | TERM | TT | EMC/SEP | FT | NOTES | EFFECTIVITY |
| 204R | 22 | PB | D02672 | 40 | | 27-41-11 | D05277J | 4 | | L2 | 3 | | VA301-VA700, VB051-VB200, VB251-VB280, VB321-VB370, VB401-VB410, VB441-VB450, VE101-VE170, VF001-VF010, VF021-VF060, VF171-VF180 |
| 207B | 24 | PL | TB0158F | A019 | 2 | 27-51-31 | D08030J | 18 | | L2 | 2 | | VF251-VF260 |
| 207B | 24 | PL | TB0158F | A019 | 2 | 27-51-31 | D08030J | 18 | | L2 | 2 | | VA301-VA700, VB051-VB200, VB251-VB280, VB321-VB370, VB401-VB410, VB441-VB450, VE101-VE170, VF001-VF010, VF021-VF060, VF171-VF180 |
| 207R | 24 | PL | TB0158F | C019 | 2 | 27-51-31 | D08030J | 19 | | L2 | 3 | | VF251-VF260 |
| 208B | 24 | PL | D02672 | 35 | | 27-58-21 | D05277J | 32 | | L2 | 2 | | VA301-VA700, VB051-VB200, VB251-VB280, VB321-VB370, VB401-VB410, VB441-VB450, VE101-VE170, VF001-VF010, VF021-VF060, VF171-VF180 |
| 208B | 24 | PL | D02672 | 35 | | 27-58-21 | D05277J | 32 | | L2 | 2 | | VF251-VF260 |
| 208R | 24 | PL | D02672 | 31 | | 27-58-21 | D05277J | 33 | | L2 | 3 | | VA301-VA700, VB051-VB200, VB251-VB280, VB321-VB330, VB401-VB410, VE101-VE120 |
| 211B | 24 | PW | D08030J | 38 | | 77-12-12 | TB0182X | A007 | BJ | L2 | 3 | | VB331-VB370, VB441-VB450, VE121-VE170, VF001-VF010, VF021-VF060, VF171-VF180 |
| 211B | 24 | PW | D08030J | 40 | | 77-12-12 | TB0182X | B007 | BJ | L2 | 3 | | VF251-VF260 |
| 211B | 24 | PW | D08030J | 40 | | 77-12-12 | TB0182X | B007 | BJ | L2 | 2 | | VA301-VA700, VB051-VB200, VB251-VB280, VB321-VB330, VB401-VB410, VE101-VE120 |
| 211R | 24 | PW | D08030J | 40 | | 77-12-12 | TB0182X | B007 | BJ | L2 | 2 | | VF251-VF260 |
| 211R | 24 | PW | D08030J | 38 | | 77-12-12 | TB0182X | A007 | BJ | L2 | 3 | | VA301-VA700, VB051-VB200, VB251-VB280, VB321-VB330, VB401-VB410, VE101-VE120 |
| 211R | 24 | PW | D08030J | 38 | | 77-12-12 | TB0182X | A007 | BJ | L2 | 3 | | VF251-VF260 |
| 211Z | 24 | PW | D08030J | 49 | | 77-12-12 | TB0182X | D008 | BJ | L2 | 3 | | VA301-VA700, VB051-VB200, VB251-VB280, VB321-VB330, VB401-VB410, VE101-VE120 |
| 212B | 24 | PW | D04978J | 38 | | 77-12-12 | TB0248X | A016 | BJ | L2 | 3 | | VF251-VF260 |
| 212B | 24 | PW | D04978J | 39 | | 77-12-12 | TB0248X | B016 | BJ | L2 | 2 | | VA301-VA700, VB051-VB200, VB251-VB280, VB321-VB330, VB401-VB410, VE101-VE120 |
| 212B | 24 | PW | D04978J | 39 | | 77-12-12 | TB0248X | B016 | BJ | L2 | 2 | | VF251-VF260 |
| 212R | 24 | PW | D04978J | 39 | | 77-12-12 | TB0248X | B016 | BJ | L2 | 2 | | VA301-VA700, VB051-VB200, VB251-VB280, VB321-VB330, VB401-VB410, VE101-VE120 |
| 212R | 24 | PW | D04978J | 38 | | 77-12-12 | TB0248X | A016 | BJ | L2 | 3 | | VF251-VF260 |
| 212R | 24 | PW | D04978J | 38 | | 77-12-12 | TB0248X | A016 | BJ | L2 | 3 | | VA301-VA700, VB051-VB200, VB251-VB280, VB321-VB330, VB401-VB410, VE101-VE120 |
| 212Z | 24 | PA | D04978J | 40 | | 77-12-12 | TB0248X | C016 | BJ | L2 | 3 | | VF251-VF260 |
| 240 | 22 | PA | D08112J | 36 | | 36-11-61 | D01886 | 27 | | L2 | 3 | | VA301-VA700, VB051-VB200, VB251-VB280, VB321-VB330, VB401-VB410, VE101-VE120 |
| 240 | 22 | PA | D08112J | 36 | | 36-11-61 | D01886 | 27 | | L2 | 4 | | VF251-VF260 |
| 240 | 22 | PA | D01886 | 27 | | 36-11-61 | D08112J | 36 | | L2 | 4 | | VA301-VA700, VB051-VB200, VB251-VB280, VB321-VB330, VB401-VB410, VE101-VE120 |
| 240 | 22 | PA | D01886 | 27 | | 36-11-61 | D08112J | 36 | | L2 | 4 | | VF251-VF260 |

286T1078-102
Wire Bundle Assembly
Figure 102 (Sheet 28)

25-71-01

| WIRE | | FROM EQUIPMENT | | | TO EQUIPMENT | | | WIRE INFO | | | | | |
|--------|----|----------------|---------|------|--------------|----------|---------|-----------|----|---------|----|-------|---|
| NUMBER | GA | TYP | NUMBER | TERM | TT | WDM REF | NUMBER | TERM | TT | EMC/SEP | FT | NOTES | EFFECTIVITY |
| 240 | 22 | PA | D08112J | 36 | | 36-11-61 | D01886 | 27 | | L2 | 2 | | VF251-VF260 |
| 241 | 22 | PA | D08112J | 37 | | 36-11-61 | D01886 | 61 | | L2 | 3 | | VB331-VB370, VB441-VB450 |
| 241 | 22 | PA | D08112J | 37 | | 36-11-61 | D01886 | 61 | | L2 | 4 | | VE121-VE170, VF021-VF060, VF171-VF180 |
| 241 | 22 | PA | D01886 | 61 | | 36-11-61 | D08112J | 37 | | L2 | 4 | | VF001-VF010 |
| 241 | 22 | PA | D08112J | 37 | | 36-11-61 | D01886 | 61 | | L2 | 2 | | VF251-VF260 |
| 242 | 24 | PK | D08112J | 38 | | 36-11-61 | D01886 | 47 | | L2 | 3 | | VB331-VB370, VB441-VB450 |
| 242 | 24 | PK | D08112J | 38 | | 36-11-61 | D01886 | 47 | | L2 | 4 | | VE121-VE170, VF021-VF060, VF171-VF180 |
| 242 | 24 | PK | D01886 | 47 | | 36-11-61 | D08112J | 38 | | L2 | 4 | | VF001-VF010 |
| 242 | 24 | PK | D08112J | 38 | | 36-11-61 | D01886 | 47 | | L2 | 2 | | VF251-VF260 |
| 243 | 24 | PK | D08112J | 39 | | 36-11-61 | D01886 | 18 | | L2 | 3 | | VB331-VB370, VB441-VB450 |
| 243 | 24 | PK | D08112J | 39 | | 36-11-61 | D01886 | 18 | | L2 | 4 | | VE121-VE170, VF021-VF060, VF171-VF180 |
| 243 | 24 | PK | D08112J | 39 | | 36-11-61 | D01886 | 18 | | L2 | 4 | | VF001-VF010 |
| 243 | 24 | PK | D01886 | 18 | | 36-11-61 | D08112J | 39 | | L2 | 4 | | VF251-VF260 |
| 243 | 24 | PK | D08112J | 39 | | 36-11-61 | D01886 | 18 | | L2 | 2 | | VB331-VB370, VB441-VB450 |
| 246 | 24 | PK | D08112J | 23 | | 36-11-61 | D01886 | 65 | | L2 | 3 | | VE121-VE170, VF021-VF060, VF171-VF180 |
| 246 | 24 | PK | D08112J | 23 | | 36-11-61 | D01886 | 65 | | L2 | 4 | | VF001-VF010 |
| 246 | 24 | PK | D08112J | 23 | | 36-11-61 | D01886 | 65 | | L2 | 2 | | VF251-VF260 |
| 247 | 24 | PK | D08112J | 24 | | 36-11-62 | TB0248X | A006 | BJ | L2 | 3 | | VB331-VB370, VB441-VB450 |
| 247 | 24 | PK | D08112J | 24 | | 36-11-62 | TB0248X | A006 | BJ | L2 | 3 | | VE121-VE170, VF021-VF060, VF171-VF180 |
| 247 | 24 | PK | D08112J | 24 | | 36-11-62 | TB0248X | A006 | BJ | L2 | 3 | | VF001-VF010 |
| 247 | 24 | PK | D08112J | 24 | | 36-11-62 | TB0248X | A006 | BJ | L2 | 2 | | VF251-VF260 |
| 248 | 22 | PA | D01886 | 66 | | 36-11-61 | SM00007 | | W | L2 | 3 | | VB331-VB370, VB441-VB450 |
| 248 | 22 | PA | D01886 | 66 | | 36-11-61 | SM00007 | | W | L2 | 2 | | VE121-VE170, VF001-VF010, VF021-VF060, VF171-VF180, VF251-VF260 |
| 249 | 22 | PA | D01886 | 34 | | 36-11-61 | SM00007 | | W | L2 | 3 | | VB331-VB370, VB441-VB450 |
| 249 | 22 | PA | D01886 | 34 | | 36-11-61 | SM00007 | | W | L2 | 2 | | VE121-VE170, VF001-VF010, VF021-VF060, VF171-VF180, VF251-VF260 |
| 251 | 24 | PK | D08112J | 40 | | 36-11-61 | D01886 | 17 | | L2 | 3 | | VB331-VB370, VB441-VB450 |
| 251 | 24 | PK | D08112J | 40 | | 36-11-61 | D01886 | 17 | | L2 | 4 | | VE121-VE170, VF021-VF060, VF171-VF180 |
| 251 | 24 | PK | D01886 | 17 | | 36-11-61 | D08112J | 40 | | L2 | 4 | | VF001-VF010 |
| 251 | 24 | PK | D08112J | 40 | | 36-11-61 | D01886 | 17 | | L2 | 2 | | VF251-VF260 |
| 252 | 22 | PA | D08068J | 44 | | 36-11-51 | SM00001 | | W | L2 | 3 | | VB331-VB370, VB441-VB450 |
| 252 | 22 | PA | D08068J | 44 | | 36-11-51 | SM00001 | | W | L2 | 1 | | VE121-VE170, VF001-VF010, VF021-VF060, VF171-VF180, VF251-VF260 |

286T1078-102
Wire Bundle Assembly
Figure 102 (Sheet 29)

25-71-01



BOEING
COMPONENT
MAINTENANCE MANUAL

| WIRE | | | FROM EQUIPMENT | | | TO EQUIPMENT | | | WIRE INFO | | | | |
|--------|----|-----|----------------|------|----|--------------|---------|------|-----------|---------|----|-------|---|
| NUMBER | GA | TYP | NUMBER | TERM | TT | WDM REF | NUMBER | TERM | TT | EMC/SEP | FT | NOTES | EFFECTIVITY |
| 301B | 24 | PM | D02672 | 12 | | 27-58-21 | D08030J | 24 | | L2 | 4 | | VA301-VA700, VB051-VB200, VB251-VB280, VB321-VB370, VB401-VB410, VB441-VB450, VE101-VE170, VF001-VF010, VF021-VF060, VF171-VF180, VF251-VF260 |
| 301B | 24 | PM | D02672 | 12 | | 27-58-21 | D08030J | 24 | | L2 | 2 | | |
| 301R | 24 | PM | D02672 | 13 | | 27-58-21 | D08030J | 25 | | L2 | | | |
| 301Y | 24 | PM | D02672 | 11 | | 27-58-21 | D08030J | 26 | | L2 | | | |
| 302B | 24 | PM | D02672 | 32 | | 27-58-21 | D05277J | 29 | | L2 | 3 | | VA301-VA700, VB051-VB200, VB251-VB280, VB321-VB370, VB401-VB410, VB441-VB450, VE101-VE170, VF001-VF010, VF021-VF060, VF171-VF180, VF251-VF260 |
| 302B | 24 | PM | D02672 | 32 | | 27-58-21 | D05277J | 29 | | L2 | 2 | | |
| 302R | 24 | PM | D02672 | 33 | | 27-58-21 | D05277J | 30 | | L2 | | | |
| 302Y | 24 | PM | D02672 | 34 | | 27-58-21 | D05277J | 31 | | L2 | | | |
| 500 | 24 | PK | D01884 | 37 | | 21-51-11 | D01886 | 8 | | L2 | 2 | | VA301-VA700, VB051-VB200, VB251-VB280, VB321-VB330, VB401-VB410, VE101-VE120 |
| 500 | 24 | PK | D01884 | 37 | | 21-51-11 | D01886 | 38 | | L2 | 3 | | VB331-VB370, VB441-VB450 |
| 500 | 24 | PK | D01884 | 37 | | 21-51-11 | D01886 | 38 | | L2 | 2 | | VE121-VE170, VF001-VF010, VF021-VF060, VF171-VF180 |
| 500 | 24 | PK | D01884 | 37 | | 21-51-11 | D01886 | 38 | | L2 | 1 | | VF251-VF260 |
| 501 | 24 | PK | D01884 | 38 | | 21-51-11 | D04978J | 9 | | L2 | 3 | | VA301-VA700, VB051-VB200, VB251-VB280, VB321-VB370, VB401-VB410, VB441-VB450, VE101-VE170, VF001-VF010, VF021-VF060, VF171-VF180 |
| 501 | 24 | PK | D01884 | 38 | | 21-51-11 | D04978J | 9 | | L2 | 2 | | VF251-VF260 |
| 502 | 24 | PK | D01884 | 16 | | 21-51-11 | TB0158F | A025 | 2 | L2 | 4 | | VA301-VA700, VB051-VB100, VB102-VB200, VB251-VB280, VB321-VB370, VB401-VB410, VB441-VB450, VE101-VE170, VF001-VF010, VF021-VF060, VF171-VF180 |
| 502 | 24 | PK | D01884 | 16 | | 21-51-11 | TB0158F | A025 | 2 | L2 | | | |
| 503 | 24 | PK | TB0158F | C025 | 2 | 21-51-21 | D01886 | 10 | | L2 | 4 | | VA301-VA700, VB051-VB200, VB251-VB280, VB321-VB330, VB401-VB410, VE101-VE120 |
| 503 | 24 | PK | TB0158F | C025 | 2 | 21-51-21 | D01886 | 4 | | L2 | 4 | | VB331-VB370, VB441-VB450, VE121-VE170, VF001-VF010, VF021-VF060, VF171-VF180 |
| 503 | 24 | PK | TB0158F | C025 | 2 | 21-51-21 | D01886 | 4 | | L2 | 3 | | VF251-VF260 |
| 504 | 22 | PA | D08030J | 16 | | 73-21-11 | D08030J | 47 | | L2 | 3 | | VB331-VB370, VB441-VB450, VF171-VF180 |

286T1078-102
Wire Bundle Assembly
Figure 102 (Sheet 30)

25-71-01



COMPONENT
MAINTENANCE MANUAL

| WIRE | | | FROM EQUIPMENT | | | | TO EQUIPMENT | | | | WIRE INFO | | | |
|--------|----|-----|----------------|------|----|----------|--------------|------|----|---------|-----------|-------|--|--|
| NUMBER | GA | TYP | NUMBER | TERM | TT | WDM REF | NUMBER | TERM | TT | EMC/SEP | FT | NOTES | EFFECTIVITY | |
| 504 | 22 | PA | D08030J | 16 | | 73-21-11 | D08030J | 47 | | L2 | 3 | | VF251-VF260 | |
| 505 | 24 | PK | D02160 | 11 | | 73-21-15 | TB0158F | A026 | 2 | L2 | 4 | | VA301-VA700, VB051-VB200, VB251-VB280, VB321-VB370, VB401-VB410, VB441-VB450, VE101-VE170, VF001-VF010, VF021-VF060, VF171-VF180 | |
| 505 | 24 | PK | D02160 | 11 | | 73-21-15 | TB0158F | A026 | 2 | L2 | 3 | | VF251-VF260 | |
| 506 | 24 | PK | D02160 | 12 | | 34-61-13 | D05209J | 11 | | L2 | 3 | | VA301-VA700, VB051-VB200, VB251-VB280, VB321-VB370, VB401-VB410, VB441-VB450, VE101-VE170, VF001-VF010, VF021-VF060, VF171-VF180 | |
| 506 | 24 | PK | D02160 | 12 | | 34-61-13 | D05209J | 11 | | L2 | 2 | | VF251-VF260 | |
| 507R | 22 | PH | D04978J | 42 | | 26-18-12 | D01886 | 36 | | L2 | 3 | | VB331-VB370, VB441-VB450, VE121-VE170, VF021-VF060, VF171-VF180 | |
| 507R | 22 | PH | D01886 | 36 | | 26-18-12 | D04978J | 42 | | L2 | 3 | | VF001-VF010 | |
| 507R | 22 | PH | D04978J | 42 | | 26-18-12 | D01886 | 36 | | L2 | 2 | | VF251-VF260 | |
| 508R | 22 | PH | D04978J | 43 | | 26-18-12 | D01886 | 57 | | L2 | 3 | | VB331-VB370, VB441-VB450, VE121-VE170, VF021-VF060, VF171-VF180 | |
| 508R | 22 | PH | D01886 | 57 | | 26-18-12 | D04978J | 43 | | L2 | 3 | | VF001-VF010 | |
| 508R | 22 | PH | D04978J | 43 | | 26-18-12 | D01886 | 57 | | L2 | 2 | | VF251-VF260 | |
| 509 | 24 | PK | D08068J | 39 | | 21-24-11 | TB0182X | A018 | BJ | L2 | 3 | | VA301-VA500 | |
| 509 | 24 | PK | D08068J | 39 | | 21-24-11 | TB0182X | A018 | BJ | L2 | 2 | | VE141-VE170 | |
| 510 | 24 | PK | D08068J | 43 | | 21-24-11 | TB0182X | D018 | BJ | L2 | 3 | | VA301-VA500 | |
| 510 | 22 | PQ | D08030J | 7 | | 73-21-11 | TB0248Y | C007 | BJ | L2 | 3 | | VB331-VB370, VB441-VB450, VF171-VF180 | |
| 510 | 24 | PK | D08068J | 43 | | 21-24-11 | TB0182X | D018 | BJ | L2 | 2 | | VE141-VE170 | |
| 510 | 22 | PQ | D08030J | 7 | | 73-21-11 | TB0248Y | C007 | BJ | L2 | 2 | | VF251-VF260 | |
| 510Z | 22 | PQ | D08030J | 39 | | 73-21-11 | TB0248Y | C008 | BJ | L2 | | | VB331-VB370, VB441-VB450, VF171-VF180, VF251-VF260 | |
| 511 | 22 | PQ | D04978J | 45 | | 73-21-11 | TB0248Y | C007 | BJ | L2 | 3 | | VB331-VB370, VB441-VB450, VF171-VF180 | |
| 511 | 22 | PQ | D04978J | 45 | | 73-21-11 | TB0248Y | C007 | BJ | L2 | 2 | | VF251-VF260 | |
| 511Z | 22 | PQ | D04978J | 46 | | 73-21-11 | TB0248Y | C008 | BJ | L2 | | | VB331-VB370, VB441-VB450, VF171-VF180, VF251-VF260 | |
| 512 | 24 | PK | D08068J | 53 | | 21-24-11 | TB0182X | C018 | BJ | L2 | 3 | | VA301-VA500 | |
| 512 | 22 | PQ | D08030J | 53 | | 73-21-11 | TB0248Y | C007 | BJ | L2 | 3 | | VB331-VB370, VB441-VB450, VF171-VF180 | |
| 512 | 24 | PK | D08068J | 53 | | 21-24-11 | TB0182X | C018 | BJ | L2 | 2 | | VE141-VE170 | |
| 512 | 22 | PQ | D08030J | 53 | | 73-21-11 | TB0248Y | C007 | BJ | L2 | 2 | | VF251-VF260 | |

286T1078-102
Wire Bundle Assembly
Figure 102 (Sheet 31)

25-71-01



BOEING
COMPONENT
MAINTENANCE MANUAL

| WIRE | | FROM EQUIPMENT | | TO EQUIPMENT | | WIRE INFO | | | | | | | |
|--------|----|----------------|---------|--------------|----|-----------|---------|------|----|---------|----|--------|--|
| NUMBER | GA | TYP | NUMBER | TERM | TT | WDM REF | NUMBER | TERM | TT | EMC/SEP | FT | NOTES | EFFECTIVITY |
| 512Z | | | D08030J | 52 | | 73-21-11 | TB0248Y | C008 | BJ | L2 | | | VB331-VB370, VB441-VB450, VF171-VF180, VF251-VF260 |
| 513 | 22 | PA | D08068J | 54 | | 21-24-11 | TB0182X | B018 | BJ | L2 | 3 | | VA301-VA500 |
| 513 | 24 | PK | D08068J | 54 | | 21-24-11 | TB0182X | B018 | BJ | L2 | 2 | | VE141-VE170 |
| 514 | 24 | PK | D08068J | 37 | | 21-24-11 | TB0248Y | A013 | BJ | L2 | 3 | | VA301-VA500 |
| 514 | 24 | PK | D08068J | 37 | | 21-24-11 | TB0248Y | A013 | BJ | L2 | 2 | | VE141-VE170 |
| 515 | 24 | PK | D08068J | 38 | | 21-24-11 | TB0248Y | A013 | BJ | L2 | 3 | | VA301-VA500 |
| 515 | 24 | PK | D08068J | 38 | | 21-24-11 | TB0248Y | A013 | BJ | L2 | 2 | | VE141-VE170 |
| 517 | 24 | PK | TB0248X | A002 | BJ | 21-58-11 | D04978J | 13 | | L2 | 3 | | VA301-VA700, VB051-VB200, VB251-VB280, VB321-VB370, VB401-VB410, VB441-VB450, VE101-VE170, VF001-VF010, VF021-VF050, VF171-VF180 |
| 517 | 24 | PK | TB0248Y | A013 | BJ | 21-58-11 | D04978J | 13 | | L2 | 3 | | VF051-VF060 |
| 517 | 24 | PK | TB0248X | A002 | BJ | 21-58-11 | D04978J | 13 | | L2 | 2 | | VF251-VF260 |
| 518 | 24 | PK | D01884 | 30 | | 21-53-12 | TB0182X | B012 | BJ | L2 | 4 | | VA301-VA700, VB051-VB200, VB251-VB280, VB321-VB370, VB401-VB410, VB441-VB450, VE101-VE170, VF001-VF010, VF021-VF060, VF171-VF180 |
| 518 | 24 | PK | D01884 | 30 | | 21-53-12 | TB0182X | B012 | BJ | L2 | 3 | | VF251-VF260 |
| 520 | 24 | PK | TB0248D | C017 | 2 | 27-58-21 | TB0248D | C018 | 2 | L2 | 2 | | VA301-VA700, VB051-VB200, VB251-VB280, VB321-VB370, VB401-VB410, VB441-VB450, VE101-VE170, VF001-VF010, VF021-VF060, VF171-VF180 |
| 520 | 24 | PK | TB0248D | C017 | 2 | 27-58-21 | TB0248D | C018 | 2 | L2 | 2 | | VF251-VF260 |
| 521 | 24 | PK | TB0248D | A017 | 2 | 34-46-12 | D05277J | 28 | | L2 | 3 | | VA301-VA700, VB051-VB200, VB251-VB280, VB321-VB370, VB401-VB410, VB441-VB450, VE101-VE170, VF001-VF010, VF021-VF060, VF171-VF180 |
| 521 | 24 | PK | TB0248D | A017 | 2 | 34-46-12 | D05277J | 28 | | L2 | 2 | | VF251-VF260 |
| 522 | 24 | PK | D08030J | 50 | | 73-21-11 | TB0182X | B027 | BJ | L2 | 3 | | VA301-VA700, VB051-VB200, VB251-VB280, VB321-VB370, VB401-VB410, VE101-VE120 |
| 522 | 24 | PK | D08030J | 50 | | 73-21-11 | TB0182X | B027 | BJ | L2 | 3 | | VB330, VB401-VB410, VE101-VE120 |
| 522 | 24 | PV | D08030J | 50 | | 73-21-11 | TB0182Y | A006 | BJ | L2 | 3 | | VB331-VB370, VB441-VB450, VF171-VF180 |
| 522 | 24 | PK | D08030J | 50 | | 73-21-11 | D08030J | 27 | | L2 | 3 | ZSZ-B6 | VE121-VE126, VF041-VF042 |
| 522 | 24 | PK | D08030J | 50 | | 73-21-11 | D08030J | 27 | | L2 | 1 | | VE127-VE140, VE147-VE170, VF003-VF010, VF043-VF060 |
| 522 | 24 | PK | D08030J | 50 | | 73-21-11 | TB0182G | 22 | 2 | L2 | 3 | | VE141-VE146, VF001-VF002 |
| 522 | 24 | PK | D08030J | 50 | | 73-21-11 | SP03370 | | W | L2 | 3 | | VF031-VF040 |
| 522 | 24 | PV | D08030J | 50 | | 73-21-11 | TB0182Y | A006 | BJ | L2 | 2 | | VF251-VF260 |

286T1078-102
Wire Bundle Assembly
Figure 102 (Sheet 32)

25-71-01

COMPONENT
MAINTENANCE MANUAL

| WIRE | | | FROM EQUIPMENT | | | | TO EQUIPMENT | | | | WIRE INFO | | | |
|--------|----|-----|----------------|------|----|----------|--------------|------|----|-----------|-----------|--------|---|--|
| NUMBER | GA | TYP | NUMBER | TERM | TT | WDM REF | NUMBER | TERM | TT | EMC / SEP | FT | NOTES | EFFECTIVITY | |
| 522Z | | | D08030J | 48 | | 73-21-11 | TE0182Y | C006 | BJ | L2 | | | VB331-VB370, VB441-VB450, VF171-VF180, VF251-VF260 | |
| 523 | 24 | PK | D08030J | 51 | | 73-21-11 | TE0248Y | C003 | BJ | L2 | 3 | | VA301-VA700, VB051-VB200, VB251-VB280, VB321-VB330, VB401-VB410, VE101-VE170, VF001-VF010, VF021-VF060 | |
| 523 | 24 | PV | D08030J | 51 | | 73-21-11 | TE0248X | B006 | BJ | L2 | 3 | | VB331-VB370, VB441-VB450, VF171-VF180 | |
| 523 | 24 | PV | D08030J | 51 | | 73-21-11 | TE0248X | B006 | BJ | L2 | 2 | | VF251-VF260 | |
| 523Z | | | D08030J | 31 | | 73-21-11 | TE0248X | C006 | BJ | L2 | | | VB331-VB370, VB441-VB450, VF171-VF180, VF251-VF260 | |
| 524 | 24 | PK | D04978J | 8 | | 21-58-12 | TE0182X | A028 | BJ | L2 | 3 | | VA316-VA500, VA520-VA700, VB056-VB100, VB124-VB200, VB254-VB280, VB325-VB370, VB402-VB410, VB441-VB450, VE104-VE115, VE118-VE170, VF001-VF010, VF021-VF060, VF171-VF180 | |
| 524 | 22 | PA | TE0248X | A6 | BJ | 21-58-12 | D04978J | 8 | | L2 | 5 | ZSZ-B6 | VB101-VB101 | |
| 524 | 24 | PK | D04978J | 8 | | 21-58-12 | TE0182X | A028 | BJ | L2 | 2 | | VF251-VF260 | |
| 525 | 24 | PK | D04978J | 14 | | 21-58-12 | TE0182X | B028 | BJ | L2 | 3 | | VA316-VA500, VA520-VA700, VB056-VB100, VB124-VB200, VB254-VB280, VB325-VB370, VB402-VB410, VB441-VB450, VE104-VE115, VE118-VE170, VF001-VF010, VF021-VF060, VF171-VF180 | |
| 525 | 22 | PA | TE0248X | B6 | BJ | 21-58-12 | D04978J | 14 | | L2 | 5 | ZSZ-B6 | VB101-VB101 | |
| 525 | 24 | PK | D04978J | 14 | | 21-58-12 | TE0182X | B028 | BJ | L2 | 2 | | VF251-VF260 | |
| 526 | 24 | PK | D04978J | 37 | | 21-58-12 | TE0182X | C028 | BJ | L2 | 3 | | VA316-VA500, VA520-VA700, VB056-VB100, VB124-VB200, VB254-VB280, VB325-VB370, VB402-VB410, VB441-VB450, VE104-VE115, VE118-VE170, VF001-VF010, VF021-VF060, VF171-VF180 | |
| 526 | 22 | PA | TE0248X | C6 | BJ | 21-58-12 | D04978J | 37 | | L2 | 5 | ZSZ-B6 | VB101-VB101 | |
| 526 | 24 | PK | D04978J | 37 | | 21-58-12 | TE0182X | C028 | BJ | L2 | 2 | | VF251-VF260 | |
| 527 | 24 | PK | D03742 | 12 | | 21-58-14 | TE0158G | 27 | 2 | L2 | 3 | | VA316-VA500, VA520-VA700, VB056-VB100, VB124-VB200, VB254-VB280, VB325-VB370, VB402-VB410, VB441-VB450, VE104-VE115, VE118-VE170, VF001-VF010, VF021-VF060, VF171-VF180 | |
| 527 | 22 | PA | TE0158G | 27 | 2 | 21-58-14 | D03742 | 12 | | L2 | 8 | ZSZ-B6 | VB101-VB101 | |
| 527 | 24 | PK | D03742 | 12 | | 21-58-14 | TE0158G | 27 | 2 | L2 | 3 | | VF251-VF260 | |

286T1078-102
Wire Bundle Assembly
Figure 102 (Sheet 33)

25-71-01



BOEING
COMPONENT
MAINTENANCE MANUAL

| WIRE | | FROM EQUIPMENT | | | TO EQUIPMENT | | | WIRE INFO | | | | | |
|--------|----|----------------|---------|------|--------------|----------|---------|-----------|----|---------|----|--------|---|
| NUMBER | GA | TYP | NUMBER | TERM | TT | WDM REF | NUMBER | TERM | TT | EMC/SEP | FT | NOTES | EFFECTIVITY |
| 528R | 22 | PH | D04978J | 44 | | 26-18-12 | D01886 | 6 | | L2 | 3 | | VB331-VB370, VB441-VB450, VE121-VE170, VF021-VF060, VF171-VF180 |
| 528R | 22 | PH | D01886 | 6 | | 26-18-12 | D04978J | 44 | | L2 | 3 | | VF001-VF010 |
| 528R | 22 | PH | D04978J | 44 | | 26-18-12 | D01886 | 6 | | L2 | 2 | | VF251-VF260 |
| 529R | 22 | FU | D08112J | 21 | | 26-18-22 | SP03260 | | S | L2 | 3 | | VB331-VB370, VB441-VB450, VE121-VE170, VF001-VF010, VF021-VF060, VF171-VF180, VF251-VF260 |
| 529Z | | | D08112J | DED | | 26-18-22 | SP03260 | DED | | L2 | | | VB331-VB370, VB441-VB450, VE121-VE170, VF001-VF010, VF021-VF060, VF171-VF180, VF251-VF260 |
| 53A | 22 | PA | D08068J | 53 | | 21-51-11 | TB0158Y | A21 | BJ | L2 | 8 | ZSZ-B6 | VB101-VB101 |
| 53B | 22 | PA | D04978J | 17 | | 21-51-11 | TB0158Y | A21 | BJ | L2 | 7 | ZSZ-B6 | VB101-VB101 |
| 530 | 24 | PK | D08030J | 13 | | 73-21-15 | TB0182Y | A003 | BJ | L2 | 3 | | VE121-VE170, VF001-VF010, VF021-VF060 |
| 532 | 24 | PK | D04978J | 48 | | 21-58-12 | TB0182X | D028 | BJ | L2 | 3 | | VA316-VA500, VA520-VA700, VB056-VB100, VB124-VB200, VB254-VB280, VB325-VB370, VB402-VB410, VB441-VB450, VE104-VE115, VE118-VE170, VF001-VF010, VF021-VF060, VF171-VF180 |
| 532 | 22 | PA | TB0248X | D6 | BJ | 21-58-12 | D04978J | 48 | | L2 | 5 | ZSZ-B6 | VB101-VB101 |
| 532 | 24 | PK | D04978J | 48 | | 21-58-12 | TB0182X | D028 | BJ | L2 | 2 | | VF251-VF260 |
| 534 | 24 | FV | D08030J | 2 | | 73-21-11 | TB0182Y | A006 | BJ | L2 | 3 | | VB331-VB370, VB441-VB450, VF171-VF180 |
| 534 | 24 | FV | D08030J | 2 | | 73-21-11 | TB0182Y | A006 | BJ | L2 | 2 | | VF251-VF260 |
| 534Z | | | D08030J | 4 | | 73-21-11 | TB0182Y | C006 | BJ | L2 | | | VB331-VB370, VB441-VB450, VF171-VF180, VF251-VF260 |
| 551 | 24 | PK | D08030J | 27 | | 73-21-11 | TB0182G | 22 | 2 | L2 | 3 | | VE141-VE146, VF001-VF002 |
| 551 | 24 | PK | D08030J | 27 | | 73-21-11 | SP03270 | | W | L2 | 3 | | VF021-VF040 |
| 552 | 20 | PQ | D08030J | 55 | | 73-21-14 | TB0248Y | A007 | BJ | L2 | 3 | | VB331-VB370, VB441-VB450, VF171-VF180 |
| 552 | 20 | PQ | D08030J | 55 | | 73-21-14 | TB0248Y | A007 | BJ | L2 | 2 | | VF251-VF260 |
| 552Z | | | D08030J | 54 | | 73-21-14 | TB0248Y | A008 | BJ | L2 | | | VB331-VB370, VB441-VB450, VF171-VF180, VF251-VF260 |
| 558 | 22 | PA | D05209J | 24 | | 34-45-13 | TB0158D | A014 | 2 | L2 | 3 | | VA316-VA500, VB056-VB100, VB126-VB200, VB254-VB280, VE118-VE118, VE147-VE149 |
| 558 | 22 | PA | D05209J | 24 | | 34-45-13 | TB0248D | A008 | 2 | L2 | 3 | MLA-F2 | VB251-VB253, VF001-VF002 |
| 558 | 22 | PA | D05209J | 24 | | 34-45-13 | TB0248D | A008 | 2 | L2 | 3 | MLA-F2 | VB323-VB324, VE101-VE104 |

286T1078-102
Wire Bundle Assembly
Figure 102 (Sheet 34)

25-71-01

| WIRE | | FROM EQUIPMENT | | | TO EQUIPMENT | | | WIRE INFO | | | | | |
|--------|----|----------------|---------|------|--------------|----------|---------|-----------|----|---------|----|----------------------------|---|
| NUMBER | GA | TYP | NUMBER | TERM | TT | WDM REF | NUMBER | TERM | TT | EMC/SEP | FT | NOTES | EFFECTIVITY |
| 558 | 22 | PA | D05209J | 24 | | 34-45-13 | TB0158D | A028 | 2 | L2 | 3 | MLA-F2 MNU-T2 ZSZ-B6 | VE121-VE126 |
| 600 | 22 | PA | D02672 | 44 | | 27-41-11 | D05227J | 15 | | L2 | 3 | | VA301-VA700, VB051-VB300, VB251-VB280, VB321-VB370, VB402-VB410, VB441-VB450, VE101-VE170, VF001-VF010, VF021-VF060, VF171-VF180 |
| 600 | 22 | PA | D02672 | 44 | | 27-41-11 | D05227J | 15 | | L2 | 2 | | VF251-VF260 |
| 621 | 22 | PA | TB0248Y | C010 | BJ | 21-66-11 | D04978J | 53 | | L2 | 3 | | VF171-VF179 |
| 622 | 24 | PK | D08030J | 10 | | 73-21-18 | TB0182X | A013 | BJ | L2 | 2 | | VF251-VF260 |
| 623 | 24 | PK | D08030J | 9 | | 73-21-18 | TB0182Y | A021 | BJ | L2 | 2 | | VF251-VF260 |
| 701 | 24 | PK | D08112J | 6 | | 36-22-11 | TB0248Y | C009 | BJ | L2 | 3 | | VA301-VA700, VB051-VB200, VB251-VB280, VB321-VB370, VB401-VB410, VB441-VB450, VE101-VE170, VF001-VF010, VF021-VF060, VF171-VF180 |
| 701 | 24 | PK | D08112J | 6 | | 36-22-11 | TB0248Y | C009 | BJ | L2 | 2 | | VF251-VF260 |
| 702 | 22 | PA | D08030J | 41 | | 36-22-11 | TB0248Y | A010 | BJ | L2 | 3 | | VA301-VA700, VB051-VB200, VB251-VB280, VB321-VB370, VB401-VB410, VB441-VB450, VE101-VE170, VF001-VF010, VF021-VF060, VF171-VF180 |
| 702 | 22 | PA | D08030J | 41 | | 36-22-11 | TB0248Y | A010 | BJ | L2 | 2 | | VF251-VF260 |
| 703 | 24 | PK | D08112J | 9 | | 36-22-11 | TB0248Y | A010 | BJ | L2 | 3 | | VA301-VA700, VB051-VB200, VB251-VB280, VB321-VB370, VB401-VB410, VB441-VB450, VE101-VE170, VF001-VF010, VF021-VF060, VF171-VF180 |
| 703 | 24 | PK | D08112J | 9 | | 36-22-11 | TB0248Y | A010 | BJ | L2 | 2 | | VF251-VF260 |
| 705 | 24 | PK | D08030J | 35 | | 74-31-11 | D02672 | 58 | | L2 | 4 | | VA500-VA500, VA700-VA700 |
| 706 | 24 | PK | D02160 | 23 | | 73-21-16 | TB0182X | A015 | BJ | L2 | 4 | | VA301-VA700, VB051-VB200, VB251-VB280, VB321-VB370, VB401-VB410, VB441-VB450, VE101-VE170, VF001-VF010, VF021-VF060, VF171-VF180 |
| 706 | 24 | PK | D02160 | 23 | | 73-21-16 | TB0182X | A015 | BJ | L2 | 3 | | VF251-VF260 |
| 707 | 22 | PA | TB0182Y | C004 | BJ | 21-51-11 | D04978J | 34 | | L2 | 3 | | VA301-VA700, VB051-VB100, VB102-VB200, VB251-VB280, VB321-VB370, VB401-VB410, VB441-VB450, VE101-VE170, VF001-VF010, VF021-VF060, VF171-VF180 |
| 707 | 22 | PA | TB0182Y | C004 | BJ | 21-51-11 | D04978J | 34 | | L2 | 2 | | VF251-VF260 |

286T1078-102
Wire Bundle Assembly
Figure 102 (Sheet 35)

25-71-01



BOEING
COMPONENT
MAINTENANCE MANUAL

| WIRE | | | FROM EQUIPMENT | | | TO EQUIPMENT | | | WIRE INFO | | | | |
|--------|----|-----|----------------|------|----|--------------|---------|------|-----------|---------|----|-------|---|
| NUMBER | GA | TYP | NUMBER | TERM | TT | WDM REF | NUMBER | TERM | TT | EMC/SEP | FT | NOTES | EFFECTIVITY |
| 708 | 24 | PK | D08112J | 19 | | 21-51-21 | TB0158G | 16 | 2 | L2 | 3 | | VA301-VA700, VB051-VB200, VB251-VB280, VB321-VB370, VB401-VB410, VB441-VB450, VE101-VE170, VF001-VF010, VF021-VF060, VF171-VF180 |
| 708 | 24 | PK | D08112J | 19 | | 21-51-21 | TB0158G | 16 | 2 | L2 | 2 | | VF251-VF260 |
| 709 | 24 | PK | D08112J | 20 | | 21-51-21 | TB0182Y | C001 | BJ | L2 | 3 | | VA301-VA700, VB051-VB200, VB251-VB280, VB321-VB370, VB401-VB410, VB441-VB450, VE101-VE170, VF001-VF010, VF021-VF060, VF171-VF180 |
| 709 | 24 | PK | D08112J | 20 | | 21-51-21 | TB0182Y | C001 | BJ | L2 | 2 | | VF251-VF260 |
| 711 | 24 | PK | D02160 | 17 | | 34-61-13 | TB0158G | 1 | 2 | L2 | 4 | | VA301-VA315, VA501-VA530, VB051-VB055, VB101-VB125, VB251-VB253, VB321-VB330, VB401-VB401, VE101-VE104, VE116-VE117, VE121-VE126, VE141-VE146, VF001-VF002, VF041-VF042, VF051-VF051 |
| 711 | 24 | PK | D02160 | 17 | | 34-61-13 | TB0158Y | A003 | BJ | L2 | 5 | | VA316-VA500, VA531-VA700, VB056-VB100, VB126-VB200, VB254-VB280, VB331-VB370, VB402-VB410, VB441-VB450, VE105-VE115, VE118-VE120, VE127-VE140, VE147-VE170, VF003-VF010, VF021-VF040, VF043-VF050, VF052-VF060, VF171-VF180 |
| 711 | 24 | PK | D02160 | 17 | | 34-61-13 | TB0158Y | A003 | BJ | L2 | 3 | | VF251-VF260 |
| 712 | 24 | PK | D08112J | 16 | | 21-51-11 | TB0182Y | C004 | BJ | L2 | 3 | | VA301-VA700, VB051-VB200, VB251-VB280, VB321-VB370, VB401-VB410, VB441-VB450, VE101-VE170, VF001-VF010, VF021-VF060, VF171-VF180 |
| 712 | 24 | PK | D08112J | 16 | | 21-51-11 | TB0182Y | C004 | BJ | L2 | 2 | | VF251-VF260 |
| 713 | 24 | PK | D08112J | 17 | | 21-51-11 | TB0158G | 13 | 2 | L2 | 3 | | VA301-VA315, VA501-VA530, VB051-VB055, VB101-VB125, VB251-VB253, VB321-VB330, VB401-VB401, VE101-VE104, VE116-VE117, VE121-VE126, VE141-VE146, VF001-VF002, VF041-VF042, VF051-VF051 |

286T1078-102
Wire Bundle Assembly
Figure 102 (Sheet 36)

25-71-01

TESTING & FAULT ISOLATION
01 Page 112U
Nov 01/02

| WIRE | | FROM EQUIPMENT | | | TO EQUIPMENT | | | WIRE INFO | | | | | |
|--------|----|----------------|---------|------|--------------|----------|---------|-----------|----|---------|----|-------|---|
| NUMBER | GA | TYP | NUMBER | TERM | TT | WDM REF | NUMBER | TERM | TT | EMC/SEP | FT | NOTES | EFFECTIVITY |
| 713 | 24 | PK | D08112J | 17 | | 21-51-11 | TB0158Y | A001 | BJ | L2 | 3 | | VA316-VA500, VA531-VA700, VB056-VB100, VB126-VB200, VB254-VB280, VB331-VB370, VB402-VB410, VB441-VB450, VE105-VE115, VE118-VE120, VE127-VE140, VE147-VE170, VF003-VF010, VF021-VF040, VF043-VF050, VF052-VF060, VF171-VF180 |
| 713 | 24 | PK | D08112J | 17 | | 21-51-11 | TB0158Y | A001 | BJ | L2 | 2 | | VF251-VF260 |
| 714 | 24 | PK | D02160 | 52 | | 34-61-13 | TB0158G | 18 | 2 | L2 | 4 | | VA301-VA700, VB051-VB200, VB251-VB280, VB321-VB370, VB401-VB410, VB441-VB450, VE101-VE170, VF001-VF010, VF021-VF060, VF171-VF180 |
| 714 | 24 | PK | D02160 | 52 | | 34-61-13 | TB0158G | 18 | 2 | L2 | 3 | | VF251-VF260 |
| 715 | 24 | PK | D02160 | 14 | | 34-61-13 | TB0158G | 21 | 2 | L2 | 4 | | VA301-VA700, VB051-VB200, VB251-VB280, VB321-VB370, VB401-VB410, VB441-VB450, VE101-VE170, VF001-VF010, VF021-VF060, VF171-VF180 |
| 715 | 24 | PK | D02160 | 14 | | 34-61-13 | TB0158G | 21 | 2 | L2 | 3 | | VF251-VF260 |
| 716 | 24 | PK | D02160 | 16 | | 34-61-13 | TB0158G | 22 | 2 | L2 | 4 | | VA301-VA700, VB051-VB200, VB251-VB280, VB321-VB370, VB401-VB410, VB441-VB450, VE101-VE170, VF001-VF010, VF021-VF060, VF171-VF180 |
| 716 | 24 | PK | D02160 | 16 | | 34-61-13 | TB0158G | 22 | 2 | L2 | 3 | | VF251-VF260 |
| 717 | 24 | PK | D02160 | 27 | | 34-61-13 | TB0158G | 23 | 2 | L2 | 4 | | VA301-VA700, VB051-VB200, VB251-VB280, VB321-VB370, VB401-VB410, VB441-VB450, VE101-VE170, VF001-VF010, VF021-VF060, VF171-VF180 |
| 717 | 24 | PK | D02160 | 27 | | 34-61-13 | TB0158G | 23 | 2 | L2 | 3 | | VF251-VF260 |
| 718 | 24 | PK | D03742 | 25 | | 21-25-11 | D04978J | 12 | | L2 | 3 | | VA301-VA700, VB051-VB100, VB102-VB200, VB251-VB280, VB321-VB370, VB401-VB410, VB441-VB450, VE101-VE170, VF001-VF010, VF021-VF060, VF171-VF180 |
| 718 | 24 | PK | D03742 | 25 | | 21-25-11 | D04978J | 12 | | L2 | 3 | | VF251-VF260 |
| 718 | 24 | PK | D03742 | 25 | | 21-25-11 | D04978J | 12 | | L2 | 2 | | VA301-VA500, VB051-VB200, VB251-VB280, VB321-VB370, VB401-VB410, VB441-VB450, VE101-VE170, VF001-VF010, VF021-VF060, VF171-VF180 |
| 720 | 24 | PK | D08112J | 32 | | 21-58-11 | TB0182Y | A001 | BJ | L2 | 3 | | VF251-VF260 |
| 720 | 24 | PK | D08112J | 32 | | 21-58-11 | TB0182Y | A001 | BJ | L2 | 2 | | VA301-VA500, VB051-VB200, VB251-VB280, VB321-VB370, VB401-VB410, VB441-VB450, VE101-VE170, VF001-VF010, VF021-VF060, VF171-VF180 |

 286T1078-102
 Wire Bundle Assembly
 Figure 102 (Sheet 37)

25-71-01

 TESTING & FAULT ISOLATION
 01 Page 112V
 Nov 01/02



BOEING
COMPONENT
MAINTENANCE MANUAL

| WIRE | | | FROM EQUIPMENT | | | TO EQUIPMENT | | | WIRE INFO | | | | |
|--------|----|-----|----------------|------|----|--------------|---------|------|-----------|---------|----|--------|---|
| NUMBER | GA | TYP | NUMBER | TERM | TT | WDM REF | NUMBER | TERM | TT | EMC/SEP | FT | NOTES | EFFECTIVITY |
| 722 | 24 | PK | D08112J | 1 | | 21-58-14 | D03742 | 37 | | L2 | 3 | | VA301-VA700, VB051-VB200, VB251-VB280, VB321-VB370, VB401-VB410, VB441-VB450, VE101-VE170, VF001-VF010, VF021-VF060, VF171-VF180 |
| 722 | 24 | PK | D08112J | 1 | | 21-58-14 | D03742 | 37 | | L2 | 2 | | VF251-VF260 |
| 723 | 24 | PK | D08112J | 2 | | 21-58-14 | TB0248X | D011 | BJ | L2 | 3 | | VA301-VA315, VA501-VA519, VB051-VB055, VB102-VB123, VB251-VB253, VB321-VB324, VB401-VB401, VE101-VE103, VE116-VE117 |
| 724 | 24 | PK | D08112J | 3 | | 21-58-15 | TB0248X | A012 | BJ | L2 | 3 | | VA301-VA700, VB051-VB200, VB251-VB280, VB321-VB370, VB401-VB410, VB441-VB450, VE101-VE170, VF001-VF010, VF021-VF050, VF171-VF180 |
| 724 | 24 | PK | D08112J | 3 | | 21-58-15 | TB0248Y | A009 | BJ | L2 | 3 | | VF051-VF060 |
| 724 | 24 | PK | D08112J | 3 | | 21-58-15 | TB0248X | A012 | BJ | L2 | 2 | | VF251-VF260 |
| 725 | 24 | PK | D03742 | 2 | | 21-25-11 | TB0248D | A019 | 2 | L2 | 3 | | VA301-VA700, VB051-VB100, VB102-VB200, VB251-VB280, VB321-VB370, VB401-VB410, VB441-VB450, VE101-VE170, VF001-VF010, VF021-VF060, VF171-VF180 |
| 725 | 24 | PK | D03742 | 2 | | 21-25-11 | TB0248D | A019 | 2 | L2 | 3 | | VF251-VF260 |
| 726 | 24 | PK | TB0248Y | C010 | BJ | 21-25-11 | TB0248D | C019 | 2 | L2 | 2 | | VA301-VA700, VB051-VB100, VB102-VB200, VB251-VB280, VB321-VB370, VB401-VB410, VB441-VB450, VE101-VE170, VF001-VF010, VF021-VF060, VF171-VF180 |
| 726 | 24 | PK | TB0248Y | C010 | BJ | 21-25-11 | TB0248D | C019 | 2 | L2 | 2 | | VF251-VF260 |
| 727 | 24 | PK | TB0248Y | C010 | BJ | 21-25-11 | D04978J | 7 | | L2 | 3 | | VA301-VA700, VB051-VB100, VB102-VB200, VB251-VB280, VB321-VB370, VB401-VB410, VB441-VB450, VE101-VE170, VF001-VF010, VF021-VF060, VF171-VF180 |
| 727 | 24 | PK | TB0248Y | C010 | BJ | 21-25-11 | D04978J | 7 | | L2 | 2 | | VF251-VF260 |
| 728 | 24 | PK | TB0248X | C011 | BJ | 21-26-11 | D08112J | 12 | | L2 | 3 | | VA301-VA700, VB051-VB100, VB102-VB200, VB251-VB280, VB321-VB370, VB401-VB410, VB441-VB450, VE101-VE170, VF001-VF010, VF021-VF060, VF171-VF180 |
| 728 | 24 | PK | TB0248X | C011 | BJ | 21-58-19 | D08112J | 12 | | L2 | 3 | ZSZ-B6 | VB101-VB101 |
| 728 | 24 | PK | TB0248X | C011 | BJ | 21-26-11 | D08112J | 12 | | L2 | 2 | | VF251-VF260 |

286T1078-102
Wire Bundle Assembly
Figure 102 (Sheet 38)

25-71-01

TESTING & FAULT ISOLATION
01 Page 112W
Nov 01/02

| WIRE | | | FROM EQUIPMENT | | | TO EQUIPMENT | | | WIRE INFO | | | |
|--------|----|-----|----------------|------|----|--------------|---------|------|-----------|----|--------|--|
| NUMBER | GA | TYP | NUMBER | TERM | TT | NUMBER | TERM | TT | EMC/SEP | FT | NOTES | EFFECTIVITY |
| 730 | 24 | PK | D02160 | 51 | | 73-21-15 | D014 | BJ | L2 | 4 | | VA301-VA700, VB051-VB200, VB251-VB280, VB321-VB370, VB401-VB410, VB441-VB450, VE101-VE170, VF001-VF010, VF021-VF060, VF171-VF180 |
| 730 | 24 | PK | D02160 | 51 | | 73-21-15 | D014 | BJ | L2 | 3 | | VF251-VF260 |
| 731 | 24 | PK | D02160 | 39 | | 73-21-15 | D08030J | 1 | L2 | 3 | | VA301-VA700, VB051-VB200, VB251-VB280, VB321-VB370, VB401-VB410, VB441-VB450, VE101-VE170, VF001-VF010, VF021-VF060, VF171-VF180 |
| 731 | 24 | PK | D02160 | 39 | | 73-21-15 | D08030J | 1 | L2 | 2 | | VF251-VF260 |
| 732 | 22 | PA | D02160 | 63 | | 73-21-19 | C014 | BJ | L2 | 5 | | VA301-VA315 |
| 732 | 22 | PA | D02160 | 63 | | 73-21-19 | VB0248Y | C014 | BJ | 5 | | VA316-VA510, VB051-VB054, VB101-VB110, VB323-VB370, VB441-VB450, VE101-VE170, VF001-VF010, VF021-VF060, VF171-VF180 |
| 732 | 22 | PA | D02160 | 63 | | 73-21-19 | VB0248Y | C014 | BJ | 4 | | VA511-VA700, VB055-VB100, VB111-VB200, VB254-VB280, VB401-VB410 |
| 732 | 22 | PA | D02160 | 63 | | 73-21-19 | VB0248Y | C014 | BJ | 5 | ZSZ-B6 | VB251-VB253 |
| 732 | 24 | PK | D02160 | 63 | | 73-21-19 | VB0248Y | C014 | BJ | 5 | | VB321-VB322 |
| 732 | 22 | PA | D02160 | 63 | | 73-21-19 | VB0248Y | C014 | BJ | 3 | | VF251-VF260 |
| 733 | 22 | PA | D02160 | 64 | | 73-21-19 | VB0182X | B016 | BJ | 4 | | VA301-VA315 |
| 733 | 22 | PA | D02160 | 64 | | 73-21-19 | VB0182X | B016 | BJ | 4 | | VA316-VA700, VB051-VB200, VB254-VB280, VB323-VB370, VB401-VB410, VB441-VB450, VE101-VE170, VF001-VF010, VF021-VF060, VF171-VF180 |
| 733 | 22 | PA | D02160 | 64 | | 73-21-19 | VB0182X | B016 | BJ | 4 | ZSZ-B6 | VB251-VB253 |
| 733 | 24 | PK | D02160 | 64 | | 73-21-19 | VB0182X | B016 | BJ | 4 | | VB321-VB322 |
| 733 | 22 | PA | D02160 | 64 | | 73-21-19 | VB0182X | B016 | BJ | 3 | | VF251-VF260 |
| 737 | 24 | PK | D01886 | 19 | | 36-11-51 | SM00002 | | W | 2 | | VA301-VA700, VB051-VB200, VB251-VB280, VB321-VB330, VB401-VB410, VE101-VE120 |
| 737 | 24 | PK | D01886 | 54 | | 36-11-51 | SM00002 | | W | 2 | | VB331-VB370, VB441-VB450, VE121-VE170, VF001-VF010, VF021-VF060, VF171-VF180 |
| 737 | 24 | PK | D01886 | 54 | | 36-11-51 | SM00002 | | W | 2 | | VF251-VF260 |
| 738 | 22 | PA | D01886 | 36 | | 36-11-51 | SM00003 | | W | 2 | | VA301-VA700, VB051-VB200, VB251-VB280, VB321-VB330, VB401-VB410, VE101-VE120 |
| 738 | 22 | PA | D01886 | 11 | | 36-11-51 | D08068J | 28 | L2 | 3 | | VB331-VB370, VB441-VB450, VE121-VE170, VF001-VF010, VF021-VF060, VF171-VF180 |
| 738 | 22 | PA | D01886 | 11 | | 36-11-51 | D08068J | 28 | L2 | 2 | | VF251-VF260 |

286T1078-102
Wire Bundle Assembly
Figure 102 (Sheet 39)

25-71-01

TESTING & FAULT ISOLATION
01 Page 112X
Nov 01/02



BOEING
COMPONENT
MAINTENANCE MANUAL

| WIRE | | FROM EQUIPMENT | | | TO EQUIPMENT | | | WIRE INFO | | | | | |
|--------|----|----------------|---------|------|--------------|----------|---------|-----------|----|---------|----|-------|---|
| NUMBER | GA | TYP | NUMBER | TERM | TT | WDM REF | NUMBER | TERM | TT | EMC/SEP | FT | NOTES | EFFECTIVITY |
| 739 | 22 | PA | D01886 | 1 | | 36-11-51 | SM00001 | | W | L2 | 2 | | VA301-VA700,VB051-VB200,VB251-VB280,VB321-VB330,VB401-VB410,VE101-VE120 |
| 739 | 22 | PA | D01886 | 59 | | 36-11-51 | SM00001 | | W | L2 | 2 | | VB331-VB370,VB441-VB450,VE121-VE170,VF001-VF010,VF021-VF060,VF171-VF180 |
| 739 | 22 | PA | D01886 | 59 | | 36-11-51 | SM00001 | | W | L2 | 2 | | VF251-VF260 |
| 740 | 22 | PA | D08068J | 24 | | 36-11-51 | SM00001 | | W | L2 | 3 | | VA301-VA700,VB051-VB200,VB251-VB280,VB321-VB370,VB401-VB410,VB441-VB450,VE101-VE170,VF001-VF010,VF021-VF060,VF171-VF180 |
| 740 | 22 | PA | D08068J | 24 | | 36-11-51 | SM00001 | | W | L2 | 1 | | VF251-VF260 |
| 741 | 24 | PK | D08068J | 40 | | 36-11-51 | SM00002 | | W | L2 | 3 | | VA301-VA700,VB051-VB200,VB251-VB280,VB321-VB370,VB401-VB410,VB441-VB450,VE101-VE170,VF001-VF010,VF021-VF060,VF171-VF180 |
| 741 | 24 | PK | D08068J | 40 | | 36-11-51 | SM00002 | | W | L2 | 1 | | VF251-VF260 |
| 742 | 22 | PA | D08068J | 28 | | 36-11-51 | SM00003 | | W | L2 | 3 | | VA301-VA700,VB051-VB200,VB251-VB280,VB321-VB330,VB401-VB410,VE101-VE120 |
| 743 | 22 | PA | D08068J | 27 | | 36-11-51 | SM00004 | | W | L2 | 3 | | VA301-VA700,VB051-VB200,VB251-VB280,VB321-VB330,VB401-VB410,VE101-VE120 |
| 744 | 22 | PA | D01886 | 31 | | 36-11-51 | SM00004 | | W | L2 | 2 | | VA301-VA700,VB051-VB200,VB251-VB280,VB321-VB330,VB401-VB410,VE101-VE120 |
| 744 | 22 | PA | D01886 | 46 | | 36-11-51 | D08068J | 27 | W | L2 | 3 | | VB331-VB370,VB441-VB450,VE121-VE170,VF001-VF010,VF021-VF060,VF171-VF180 |
| 744 | 22 | PA | D01886 | 46 | | 36-11-51 | D08068J | 27 | W | L2 | 2 | | VF251-VF260 |
| 745 | 22 | PA | D01886 | 29 | | 36-11-61 | SM00005 | | W | L2 | 2 | | VA301-VA700,VB051-VB200,VB251-VB280,VB321-VB330,VB401-VB410,VE101-VE120 |
| 746 | 22 | PA | D01886 | 9 | | 36-11-61 | SM00005 | | W | L2 | 2 | | VA301-VA700,VB051-VB200,VB251-VB280,VB321-VB330,VB401-VB410,VE101-VE120 |
| 747 | 22 | PA | D01886 | 27 | | 36-11-61 | SM00006 | | W | L2 | 2 | | VA301-VA700,VB051-VB200,VB251-VB280,VB321-VB330,VB401-VB410,VE101-VE120 |
| 748 | 22 | PA | D01886 | 6 | | 36-11-61 | SM00006 | | W | L2 | 2 | | VA301-VA700,VB051-VB200,VB251-VB280,VB321-VB330,VB401-VB410,VE101-VE120 |
| 749 | 24 | PK | D04978J | 26 | | 21-58-11 | TB0248X | A001 | BJ | L2 | 4 | | VA301-VA700,VB051-VB200,VB251-VB280,VB321-VB370,VB401-VB410,VB441-VB450,VE101-VE170,VF001-VF010,VF021-VF060,VF171-VF180 |
| 749 | 24 | PK | D04978J | 26 | | 21-58-11 | TB0248X | A001 | BJ | L2 | 2 | | VF251-VF260 |

286T1078-102
Wire Bundle Assembly
Figure 102 (Sheet 40)

25-71-01



COMPONENT
MAINTENANCE MANUAL

| WIRE | | FROM EQUIPMENT | | | TO EQUIPMENT | | | WIRE INFO | | | | | |
|--------|----|----------------|---------|------|--------------|----------|---------|-----------|----|---------|----|-------|--|
| NUMBER | GA | TYP | NUMBER | TERM | TT | WDM REF | NUMBER | TERM | TT | EMC/SEP | FT | NOTES | EFFECTIVITY |
| 751 | 24 | PK | D08068J | 21 | | 36-11-61 | D01886 | 25 | | L2 | 3 | | VA301-VA700, VB051-VB300, VB251-VB280, VB321-VB330, VB401-VB410, VE101-VE120 |
| 751 | 24 | PK | D08068J | 21 | | 36-11-61 | D01886 | 19 | | L2 | 3 | | VB331-VB370, VB441-VB450, VE121-VE170, VF001-VF010, VF021-VF060, VF171-VF180 |
| 751 | 24 | PK | D08068J | 21 | | 36-11-61 | D01886 | 19 | | L2 | 2 | | VF251-VF260 |
| 752 | 22 | PA | TB0248Y | A010 | BJ | 36-22-11 | D01886 | 35 | | L2 | 3 | | VA301-VA700, VB051-VB200, VB251-VB280, VB321-VB330, VB401-VB410, VE101-VE120 |
| 752 | 22 | PA | TB0248Y | A010 | BJ | 36-22-11 | D01886 | 3 | | L2 | 3 | | VB331-VB370, VB441-VB450, VE121-VE170, VF001-VF010, VF021-VF060, VF171-VF180 |
| 752 | 22 | PA | TB0248Y | A010 | BJ | 36-22-11 | D01886 | 3 | | L2 | 3 | | VF251-VF260 |
| 753 | 24 | PK | D02160 | 18 | | 22-32-13 | TB0182X | A017 | BJ | L2 | 3 | | VA301-VA700, VB051-VB200, VB251-VB280, VB321-VB370, VB401-VB410, VB441-VB450, VE101-VE170, VF001-VF010, VF021-VF060, VF171-VF180 |
| 754 | 24 | PK | D02160 | 20 | | 22-32-13 | TB0182X | B017 | BJ | L2 | 4 | | VF251-VF260 |
| 754 | 24 | PK | D02160 | 20 | | 22-32-13 | TB0182X | B017 | BJ | L2 | 3 | | VA301-VA700, VB051-VB200, VB251-VB280, VB321-VB370, VB401-VB410, VB441-VB450, VE101-VE170, VF001-VF010, VF021-VF060, VF171-VF180 |
| 755 | 24 | PK | D02160 | 58 | | 22-32-13 | TB0182X | C017 | BJ | L2 | 4 | | VF251-VF260 |
| 755 | 24 | PK | D02160 | 58 | | 22-32-13 | TB0182X | C017 | BJ | L2 | 4 | | VA301-VA700, VB051-VB200, VB251-VB280, VB321-VB370, VB401-VB410, VB441-VB450, VE101-VE170, VF001-VF010, VF021-VF060, VF171-VF180 |
| 755 | 24 | PK | D02160 | 58 | | 22-32-13 | TB0182X | C017 | BJ | L2 | 3 | | VF251-VF260 |
| 756 | 24 | PK | D02160 | 50 | | 22-32-13 | TB0182X | D017 | BJ | L2 | 4 | | VA301-VA700, VB051-VB200, VB251-VB280, VB321-VB370, VB401-VB410, VB441-VB450, VE101-VE170, VF001-VF010, VF021-VF060, VF171-VF180 |
| 756 | 24 | PK | D02160 | 50 | | 22-32-13 | TB0182X | D017 | BJ | L2 | 3 | | VF251-VF260 |
| 757 | 24 | PK | D02160 | 28 | | 22-32-13 | TB0182X | D016 | BJ | L2 | 4 | | VA301-VA700, VB051-VB200, VB251-VB280, VB321-VB370, VB401-VB410, VB441-VB450, VE101-VE170, VF001-VF010, VF021-VF060, VF171-VF180 |
| 757 | 24 | PK | D02160 | 28 | | 22-32-13 | TB0182X | D016 | BJ | L2 | 3 | | VF251-VF260 |
| 764 | 24 | PK | D08030J | 46 | | 73-21-11 | TB0182Y | A003 | BJ | L2 | 3 | | VE121-VE170, VF001-VF010, VF021-VF060 |
| 765 | 24 | PK | D05209J | 15 | | 27-32-31 | TB0182D | A024 | 2 | L2 | 3 | | VB051-VB055, VB321-VB322, VB401-VB401, VE116-VE116 |

286T1078-102
Wire Bundle Assembly
Figure 102 (Sheet 41)

25-71-01



BOEING
COMPONENT
MAINTENANCE MANUAL

| WIRE | | FROM EQUIPMENT | | | TO EQUIPMENT | | | WIRE INFO | | | | | |
|--------|----|----------------|---------|------|--------------|----------|---------|-----------|----|---------|----|--------|---|
| NUMBER | GA | TYP | NUMBER | TERM | TT | WDM REF | NUMBER | TERM | TT | EMC/SEP | FT | NOTES | EFFECTIVITY |
| 778 | 24 | PK | D02160 | 5 | | 73-21-15 | TB0248X | C012 | BJ | L2 | 4 | | VA316-VA500, VA509-VA700, VB055-VB100, VB111-VB200, VB254-VB280, VB323-VB370, VB401-VB410, VB441-VB450, VE101-VE170, VF001-VF010, VF021-VF060, VF171-VF180 |
| 778 | 24 | PK | D02160 | 5 | | 73-21-15 | TB0248X | C012 | BJ | L2 | 5 | | VA501-VA508, VB051-VB054, VB101-VB110 |
| 778 | 24 | PK | D02160 | 5 | | 73-21-15 | TB0248X | C012 | BJ | L2 | 3 | | VF251-VF260 |
| 779 | 22 | PA | D08030J | 43 | | 73-21-19 | TB0248Y | A004 | BJ | L2 | 3 | | VA301-VA315 |
| 779 | 22 | PA | D08030J | 43 | | 73-21-19 | TB0248Y | A004 | BJ | L2 | 3 | | VA316-VA700, VB055-VB200, VB254-VB280, VB323-VB370, VB401-VB410, VB441-VB450, VE101-VE170, VF001-VF010, VF021-VF060, VF171-VF180 |
| 779 | 22 | PA | D08030J | 43 | | 73-21-19 | TB0248Y | A004 | BJ | L2 | 3 | | VB051-VB054 |
| 779 | 22 | PA | D08030J | 43 | BJ | 73-21-19 | D08030J | 43 | | L2 | 3 | ZSZ-B6 | VB251-VB253 |
| 779 | 22 | PA | D08030J | 43 | | 73-21-19 | TB0248Y | A004 | BJ | L2 | 2 | | VF251-VF260 |
| 780 | 22 | PA | D08030J | 17 | | 73-21-19 | TB0248D | A022 | 2 | L2 | 3 | | VA301-VA700, VB051-VB200, VB254-VB280, VB323-VB370, VB401-VB410, VB441-VB450, VE101-VE170, VF001-VF010, VF021-VF060, VF171-VF180 |
| 780 | 22 | PA | D08030J | 17 | | 73-21-19 | TB0248D | A022 | 2 | L2 | 3 | ZSZ-B6 | VB251-VB253 |
| 780 | 22 | PA | D08030J | 17 | | 73-21-19 | TB0248D | A022 | 2 | L2 | 2 | | VF251-VF260 |
| 781 | 22 | PA | D08068J | 49 | | 36-11-51 | SM00001 | | W | L2 | 3 | | VB331-VB370, VB441-VB450 |
| 781 | 22 | PA | D08068J | 49 | | 36-11-51 | SM00001 | | W | L2 | 2 | | VE127-VE140, VE150-VE170, VF003-VF010, VF043-VF050, VF052-VF060, VF171-VF180 |
| 781 | 22 | PA | D08068J | 49 | | 36-11-51 | SM00001 | | W | L2 | 1 | | VF251-VF260 |
| 901 | 24 | PK | D08112J | 18 | | 21-58-11 | TB0182X | B011 | BJ | L2 | 3 | | VA316-VA500, VA531-VA700, VB056-VB100, VB126-VB200, VB254-VB280, VB328-VB370, VB402-VB410, VB441-VB450, VE105-VE115, VE118-VE120, VE127-VE140, VE147-VE170, VF003-VF010, VF021-VF060, VF171-VF180 |
| 901 | 24 | PK | D08112J | 18 | | 21-58-11 | TB0182X | B011 | BJ | L2 | 3 | | VA520-VA530, VB325-VB327, VE104-VE104, VE121-VB126 |
| 901 | 22 | PA | D08112J | 18 | | 21-58-11 | TB0182X | B011 | BJ | L2 | 0 | ZSZ-B6 | VB101-VB101 |
| 901 | 24 | PK | D08112J | 18 | | 21-58-11 | TB0182X | B011 | BJ | L2 | 2 | | VF251-VF260 |

286T1078-102
Wire Bundle Assembly
Figure 102 (Sheet 42)

25-71-01



COMPONENT
MAINTENANCE MANUAL

| WIRE | | FROM EQUIPMENT | | | TO EQUIPMENT | | | WIRE INFO | | | | | |
|--------|----|----------------|---------|------|--------------|----------|---------|-----------|----|---------|----|--------|---|
| NUMBER | GA | TYP | NUMBER | TERM | TT | WDM REF | NUMBER | TERM | TT | EMC/SEP | FT | NOTES | EFFECTIVITY |
| 778 | 24 | PK | D02160 | 5 | | 73-21-15 | TB0248X | C012 | BJ | L2 | 4 | | VA316-VA500, VA509-VA700, VB055-VB100, VB111-VB200, VB254-VB280, VB323-VB370, VB401-VB410, VB441-VB450, VE101-VE170, VF001-VF010, VF021-VF060, VF171-VF180 |
| 778 | 24 | PK | D02160 | 5 | | 73-21-15 | TB0248X | C012 | BJ | L2 | 5 | | VA501-VA508, VB051-VB054, VB101-VB110 |
| 778 | 24 | PK | D02160 | 5 | | 73-21-15 | TB0248X | C012 | BJ | L2 | 3 | | VF251-VF260 |
| 779 | 22 | PA | D08030J | 43 | | 73-21-19 | TB0248Y | A004 | BJ | L2 | 3 | | VA301-VA315 |
| 779 | 22 | PA | D08030J | 43 | | 73-21-19 | TB0248Y | A004 | BJ | L2 | 3 | | VA316-VA700, VB055-VB200, VB254-VB280, VB323-VB370, VB401-VB410, VB441-VB450, VE101-VE170, VF001-VF010, VF021-VF060, VF171-VF180 |
| 779 | 22 | PA | TB0248Y | A004 | BJ | 73-21-19 | D08030J | 43 | | L2 | 3 | | VB051-VB054 |
| 779 | 22 | PA | D08030J | 43 | | 73-21-19 | TB0248Y | A004 | BJ | L2 | 3 | ZSZ-B6 | VB251-VB253 |
| 779 | 22 | PA | D08030J | 43 | | 73-21-19 | TB0248Y | A004 | BJ | L2 | 2 | | VF251-VF260 |
| 780 | 22 | PA | D08030J | 17 | | 73-21-19 | TB0248D | A022 | 2 | L2 | 3 | | VA301-VA700, VB051-VB200, VB254-VB280, VB323-VB370, VB401-VB410, VB441-VB450, VE101-VE170, VF001-VF010, VF021-VF060, VF171-VF180 |
| 780 | 22 | PA | D08030J | 17 | | 73-21-19 | TB0248D | A022 | 2 | L2 | 3 | ZSZ-B6 | VB251-VB253 |
| 780 | 22 | PA | D08030J | 17 | | 73-21-19 | TB0248D | A022 | 2 | L2 | 2 | | VF251-VF260 |
| 781 | 22 | PA | D08068J | 49 | | 36-11-51 | SM00001 | | W | L2 | 3 | | VB331-VB370, VB441-VB450 |
| 781 | 22 | PA | D08068J | 49 | | 36-11-51 | SM00001 | | W | L2 | 2 | | VE127-VE140, VE150-VE170, VF003-VF010, VF043-VF050, VF052-VF060, VF171-VF180 |
| 781 | 22 | PA | D08068J | 49 | | 36-11-51 | SM00001 | | W | L2 | 1 | | VF251-VF260 |
| 901 | 24 | PK | D08112J | 18 | | 21-58-11 | TB0182X | B011 | BJ | L2 | 3 | | VA316-VA500, VA531-VA700, VB056-VB100, VB136-VB200, VB254-VB280, VB328-VB370, VB402-VB410, VB441-VB450, VE105-VE115, VE118-VE120, VE127-VE140, VE147-VE170, VF003-VF010, VF021-VF060, VF171-VF180 |
| 901 | 24 | PK | D08112J | 18 | | 21-58-11 | TB0182X | B011 | BJ | L2 | 3 | | VA520-VA530, VB325-VB327, VE104-VE104, VE121-VE126 |
| 901 | 22 | PA | D08112J | 18 | | 21-58-11 | TB0182X | B011 | BJ | L2 | 0 | ZSZ-B6 | VB101-VB101 |
| 901 | 24 | PK | D08112J | 18 | | 21-58-11 | TB0182X | B011 | BJ | L2 | 2 | | VF251-VF260 |

286T1078-102
Wire Bundle Assembly
Figure 102 (Sheet 43)

25-71-01



BOEING
COMPONENT
MAINTENANCE MANUAL

| WIRE | | | FROM EQUIPMENT | | | | TO EQUIPMENT | | | | WIRE INFO | | | |
|--------|----|-----|----------------|------|----|----------|--------------|------|----|---------|-----------|----------------|---|--|
| NUMBER | GA | TYP | NUMBER | TERM | TT | WDM REF | NUMBER | TERM | TT | EMC/SEP | FT | NOTES | EFFECTIVITY | |
| FRD | | | D08030J | 48 | | 73-21-11 | D08030J | | | L2 | | | VE087-VE100, VE171-VE180, VF062-VF090, VF101-VF110, VF161-VF170, VN163-VN170 | |
| FRD | | | D08030J | 13 | | 73-21-17 | D08030J | | | L2 | | | VF091-VF100 | |
| FRH | | | TE0182Y | A017 | BJ | 77-12-12 | TE0182Y | REF | | L2 | | | VN163-VN170 | |
| FRH | | | TE0182Y | A017 | BJ | 77-12-12 | TE0182Y | REF | | L2 | | | | |
| PA1 | | | D03742 | 26 | | 99-99-99 | D03742 | 34 | | L2 | | DAW-B2 | | |
| PB1 | | | D01884 | 25 | | 99-99-99 | D01884 | 35 | | L2 | | DAW-B2 | VE085-VE100, VE171-VE180, VF061-VF070, VF091-VF110, VF161-VF170 | |
| PC1 | | | D03738 | 22 | | 99-99-99 | D03738 | 38 | | L2 | | DAW-B2 | | |
| PD1 | | | D01886 | 41 | | 36-11-51 | D01886 | 63 | | L2 | | DAW-B2 | VE085-VE086, VE171-VE172, VF071-VF072, VF091-VF093, VF101-VF102, VN151-VN157, VN163-VN167 | |
| PD1 | | | D01886 | 9 | | 36-11-51 | D01886 | 51 | | L2 | | DAW-B2 | VE087-VE100, VE173-VE180, VF063-VF070, VF073-VF090, VF094-VF100, VF103-VF110, VF161-VF170, VN158-VN162, VN168-VN170 | |
| PD1 | | | D01886 | 9 | | 36-11-51 | D01886 | 51 | | L2 | | DAW-B2, ZSZ-B6 | VF061-VF062 | |
| PE1 | | | D02672 | 47 | | 27-58-21 | D02672 | 66 | | L2 | | DAW-B2 | VE085-VE100, VE171-VE180, VF061-VF110, VF161-VF170, VN151-VN155 | |
| PE1 | | | D02672 | 47 | | 27-58-21 | D02672 | 64 | | L2 | | DAW-B2 | VN156-VN170 | |
| PF1 | | | D02160 | 11 | | 73-21-15 | D02160 | 20 | | L2 | | DAW-B2 | | |
| S01 | | SL | D02160 | | | | | | | R2 | 2 | ISL-F2 | | |
| S02 | | SL | D02160 | | | | | | | R2 | 2 | ISL-F2 | | |
| S03 | | SL | D01884 | | | | | | | R2 | 2 | ISL-F2 | VE085-VE100, VE171-VE180, VF061-VF070, VF091-VF110, VF161-VF170 | |
| S29 | | SL | D08112J | | | | | | | R2 | 1 | ISL-F2 | | |
| S34 | | SL | D02160 | | | | | | | R2 | 2 | ISL-F2 | | |
| S65 | | SL | D08030J | | | | | | | R2 | 2 | ISL-F2 | | |
| 1 | 24 | PK | D01884 | 19 | | 21-51-11 | D04978J | 6 | | L2 | 3 | | VE085-VE100, VE171-VE180, VF061-VF070, VF091-VF110, VF161-VF170 | |
| 2 | 22 | PA | D01884 | 21 | | 21-51-11 | GDX0001 | D.. | 2 | L2 | 3 | | VE085-VE100, VE171-VE180, VF061-VF070, VF091-VF110, VF161-VF170 | |
| 3 | 24 | PK | D01884 | 13 | | 21-51-11 | TE0248Y | C004 | BJ | L2 | 4 | | VE085-VE086, VE171-VE171, VF061-VF061, VF091-VF091 | |
| 4 | 24 | PK | D01884 | 14 | | 21-51-11 | D04978J | 19 | | L2 | 3 | | VE085-VE100, VE171-VE180, VF061-VF070, VF091-VF110, VF161-VF170 | |

286T1078-140
Wire Bundle Assembly
Figure 103 (Sheet 1)

25-71-01

| WIRE | | FROM EQUIPMENT | | | TO EQUIPMENT | | | WIRE INFO | | | | | |
|--------|----|----------------|---------|------|--------------|----------|---------|-----------|----|---------|----|-------|---|
| NUMBER | GA | TYP | NUMBER | TERM | TT | WDM REF | NUMBER | TERM | TT | EMC/SEP | FT | NOTES | EFFECTIVITY |
| 5 | 24 | PK | D01884 | 8 | | 21-51-11 | D04978J | 18 | | L2 | 3 | | VE085-VE100, VE171-VE180, VF061-VF070, VF091-VF110, VF161-VF170 |
| 6 | 24 | PK | D01884 | 7 | | 21-51-11 | D04978J | 17 | | L2 | 3 | | VE085-VE100, VE171-VE180, VF061-VF070, VF091-VF110, VF161-VF170 |
| 6 | 24 | PK | D04978J | 35 | | 21-28-11 | D05209J | 21 | | L2 | 3 | | VN151-VN155 |
| 7 | 24 | PK | D01884 | 36 | | 21-51-11 | TB0158G | 3 | 2 | L2 | 4 | | VE085-VE086, VE171-VE171, VF061-VF061, VF091-VF091 |
| 7 | 24 | PK | D01884 | 36 | | 21-51-11 | TB0158Y | A004 | BJ | L2 | 4 | | VE087-VE100, VE172-VE180, VF062-VF070, VF092-VF110, VF161-VF170 |
| 7 | 24 | PK | D04978J | 9 | | 21-51-11 | TB0158Y | A004 | BJ | L2 | 4 | | VF071-VF090 |
| 7 | 24 | PK | D04978J | 9 | | 21-51-11 | TB0158G | 3 | 2 | L2 | 4 | | VN151-VN170 |
| 8 | 24 | PK | D01884 | 15 | | 21-51-21 | TB0158G | 4 | 2 | L2 | 4 | | VE085-VE086, VE171-VE171, VF061-VF061, VF091-VF091 |
| 8 | 24 | PK | D01884 | 15 | | 21-51-21 | TB0158Y | C004 | BJ | L2 | 4 | | VE087-VE100, VE172-VE180, VF062-VF070, VF092-VF110, VF161-VF170 |
| 8 | 24 | PK | D04978J | 5 | | 21-51-21 | TB0158Y | C004 | BJ | L2 | 4 | | VF071-VF090 |
| 8 | 24 | PK | D04978J | 5 | | 21-51-21 | TB0158G | 4 | 2 | L2 | 4 | | VN151-VN170 |
| 9 | 24 | PK | D01884 | 17 | | 21-51-11 | D04978J | 15 | | L2 | 3 | | VE085-VE100, VE171-VE180, VF061-VF070, VF091-VF110, VF161-VF170 |
| 01A | 22 | PA | D08068J | 53 | | SPARE | TB0158Y | C008 | BJ | L2 | 3 | | VE085-VE086 |
| 10 | 24 | PK | D05209J | 12 | | 31-51-42 | TB0182D | A019 | 2 | L2 | 3 | | |
| 11 | 24 | PK | D01886 | 55 | | 36-11-51 | SM0002 | | W | L2 | 3 | | |
| 12 | 24 | PK | D01884 | 3 | | 21-51-11 | TB0158G | 9 | 2 | L2 | 4 | | VE085-VE100, VE171-VE180, VF061-VF070, VF091-VF110, VF161-VF170 |
| 13 | 24 | PK | TB0182Y | C010 | BJ | 73-21-17 | D02160 | 42 | | L2 | 4 | | |
| 14 | 24 | PK | D01884 | 4 | | 21-51-11 | TB0158Y | C006 | BJ | L2 | 4 | | VE085-VE100, VE171-VE180, VF061-VF070, VF091-VF110, VF161-VF170 |
| 14 | 24 | PK | D04978J | 22 | | 21-51-11 | TB0158Y | C006 | BJ | L2 | 4 | | VF071-VF090, VN151-VN170 |
| 15 | 24 | PK | D01884 | 5 | | 21-51-11 | TB0158Y | A005 | BJ | L2 | 4 | | VE085-VE100, VE171-VE180, VF061-VF070, VF091-VF110, VF161-VF170 |
| 15 | 24 | PK | D04978J | 20 | | 21-51-11 | TB0158Y | A005 | BJ | L2 | 4 | | VF071-VF090, VN151-VN170 |
| 16 | 24 | PK | D01884 | 22 | | 21-51-11 | D04978J | 20 | | L2 | 3 | | VE085-VE100, VE171-VE180, VF061-VF070, VF091-VF110, VF161-VF170 |
| 17 | 24 | PK | D01884 | 1 | | 21-51-11 | D04978J | 21 | | L2 | 3 | | VE085-VE100, VE171-VE180, VF061-VF070, VF091-VF110, VF161-VF170 |
| 18 | 24 | PK | D01884 | 27 | | 21-51-11 | TB0182D | A023 | 2 | L2 | 4 | | VE085-VE100 |

286T1078-140
Wire Bundle Assembly
Figure 103 (Sheet 2)

25-71-01



BOEING
COMPONENT
MAINTENANCE MANUAL

| WIRE | | | FROM EQUIPMENT | | | | TO EQUIPMENT | | | | WIRE INFO | | | |
|--------|----|-----|----------------|------|----|----------|--------------|------|----|---------|-----------|-------|---|--|
| NUMBER | GA | TYP | NUMBER | TERM | TT | WDM REF | NUMBER | TERM | TT | EMC/SEP | FT | NOTES | EFFECTIVITY | |
| 18 | 24 | PK | D01884 | 27 | | 21-51-11 | TB0182F | A023 | 2 | L2 | 4 | | VE171-VE180, VF061-VF070, VF091-VF110, VF161-VF170 | |
| 18 | 24 | PK | D04978J | 17 | | 21-51-11 | TB0182D | A023 | 2 | L2 | 4 | | VF071-VF090 | |
| 18 | 24 | PK | D04978J | 17 | | 21-51-11 | TB0182D | A023 | 2 | L2 | 3 | | VN151-VN170 | |
| 19 | 24 | PK | D01884 | 6 | | 21-51-11 | TB0158F | C024 | 2 | L2 | 4 | | VE085-VE100, VE171-VE180, VF061-VF070, VF091-VF110, VF161-VF170 | |
| 19 | 24 | PK | D04978J | 18 | | 21-51-11 | TB0158F | C024 | 2 | L2 | 4 | | VF071-VF090 | |
| 19 | 24 | PK | D04978J | 18 | | 21-51-11 | TB0158F | C024 | 2 | L2 | 3 | | VN151-VN170 | |
| 20 | 22 | PA | D01884 | 28 | | 21-51-11 | SM00009 | | W | L2 | 3 | | VE085-VE100, VE171-VE180, VF061-VF070, VF091-VF110, VF161-VF170 | |
| 21 | 24 | PK | D01884 | 31 | | 21-25-11 | D04978J | 5 | | L2 | 3 | | VE085-VE100, VE171-VE180, VF061-VF070, VF091-VF110, VF161-VF170 | |
| 22 | 24 | PK | D01884 | 9 | | 21-53-11 | D04978J | 24 | | L2 | 3 | | VE085-VE100, VE171-VE180, VF061-VF070, VF091-VF110, VF161-VF170 | |
| 23 | 24 | PK | D01884 | 26 | | 21-53-12 | TB0158F | A012 | 2 | R2 | 4 | | VE085-VE100, VE171-VE180, VF061-VF070, VF091-VF110, VF161-VF170 | |
| 23 | 24 | PK | D04978J | 36 | | 21-51-11 | TB0158F | A012 | 2 | R2 | 4 | | VF071-VF090, VN151-VN170 | |
| 25 | 24 | PK | D01884 | 2 | | 21-51-11 | D08068J | 20 | | L2 | 3 | | VE085-VE100, VE171-VE180, VF061-VF070, VF091-VF110, VF161-VF170 | |
| 26 | 24 | PK | D01884 | 32 | | 73-21-15 | TB0248X | D012 | BJ | L2 | 4 | | VE085-VE100, VE171-VE180, VF061-VF070, VF091-VF110, VF161-VF170 | |
| 27 | 24 | PK | D02160 | 25 | | 73-21-15 | D01884 | 18 | | L2 | 3 | | VE085-VE100, VE171-VE180, VF061-VF070, VF091-VF110, VF161-VF170 | |
| 27 | 24 | PK | D02160 | 25 | | 73-21-15 | D04978J | 49 | | L2 | 4 | | VF071-VF090, VN151-VN170 | |
| 28 | 22 | PA | D01884 | 10 | | 21-51-11 | SM00010 | | W | L2 | 3 | | VE085-VE100, VE171-VE180, VF061-VF070, VF091-VF110, VF161-VF170 | |
| 29 | 24 | PK | D02160 | 24 | | 73-21-15 | TB0158G | 10 | 2 | L2 | 4 | | VE085-VE086, VE171-VE171, VF061-VF061, VF091-VF091, VN151-VN170 | |
| 30 | 24 | PK | D01884 | 12 | | 21-51-11 | TB0158G | 14 | 2 | L2 | 4 | | VE087-VE100, VE172-VE180, VF062-VF070, VF092-VF110, VF161-VF170 | |
| 30 | 24 | PK | D01884 | 12 | | 21-51-11 | TB0158Y | C001 | BJ | L2 | 4 | | VE087-VE100, VE172-VE180, VF062-VF070, VF092-VF110, VF161-VF170 | |
| 31 | 24 | PK | TB0158G | 3 | 2 | 21-51-11 | D04978J | 16 | | L2 | 3 | | VE085-VE086, VE171-VE171, VF061-VF061, VF091-VF091, VN151-VN170 | |
| 31 | 24 | PK | TB0158Y | A004 | BJ | 21-51-11 | D04978J | 16 | | L2 | 4 | | VE087-VE100, VE172-VE180, VF062-VF090, VF092-VF110, VF161-VF170 | |
| 32 | 24 | PK | TB0158G | 14 | 2 | 21-51-11 | D08112J | 15 | | L2 | 3 | | VE085-VE086, VE171-VE171, VF061-VF061, VF091-VF091 | |

286T1078-140
Wire Bundle Assembly
Figure 103 (Sheet 3)

25-71-01

| WIRE | | FROM EQUIPMENT | | | TO EQUIPMENT | | | WIRE INFO | | | | | |
|--------|----|----------------|--------------|------|--------------|--------------|--------|-----------|----|---------|----|-------|---|
| NUMBER | GA | TYP | NUMBER | TERM | FT | WDM REF | NUMBER | TERM | FT | EMC/SEP | FT | NOTES | EFFECTIVITY |
| 32 | 24 | PK | TB0158Y C001 | BJ | 21-51-11 | D08112J | 15 | | | L2 | 3 | | VE087-VE100, VE172-VE180, VF062-VF070, VF092-VF110, VF161-VF170 |
| 32 | 24 | PK | TB0182X D011 | BJ | 21-51-21 | D04978J | 34 | | | L2 | 4 | | VF071-VF090 |
| 32 | 24 | PK | D04978J 34 | | 21-51-21 | TB0182X D011 | BJ | | | L2 | 3 | | VN151-VN170 |
| 34 | 24 | PK | TB0158G 9 | 2 | 21-51-11 | D04978J | 10 | | | L2 | 3 | | VE085-VE100, VE171-VE180, VF061-VF070, VF091-VF110, VF161-VF170 |
| 34 | 24 | PK | TB0158G 9 | 2 | 21-51-21 | D04978J | 10 | | | L2 | 3 | | VF071-VF090, VN151-VN170 |
| 35 | 24 | PK | D08068J 48 | | SPARE | TB0158Y C006 | BJ | | | L2 | 3 | | VE085-VE100, VE171-VE180, VF091-VF110 |
| 35 | 24 | PK | D08068J 48 | | 21-51-11 | TB0158Y C006 | BJ | | | L2 | 3 | | VN151-VN170 |
| 36 | 22 | PA | SM00009 | W | 21-51-11 | D04978J | 23 | | | L2 | 2 | | VE085-VE100, VE171-VE180, VF061-VF070, VF091-VF110, VF161-VF170 |
| 36 | 24 | PK | TB0158G 9 | 2 | 21-51-21 | D04978J | 23 | | | L2 | 3 | | VF071-VF090 |
| 36 | 22 | PA | D04978J 23 | | 21-51-21 | TB0158G 9 | 2 | | | L2 | 3 | | VN151-VN166 |
| 36 | 24 | PK | D04978J 23 | | 21-51-21 | TB0158G 9 | 2 | | | L2 | 3 | | VN167-VN170 |
| 38 | 24 | PK | D03738 24 | | 21-51-23 | D08068J | 45 | | | L2 | 3 | | |
| 39 | 22 | PA | SM00010 | W | 21-51-11 | D04978J | 22 | | | L2 | 2 | | VE085-VE100, VE171-VE180, VF061-VF070, VF091-VF110, VF161-VF170 |
| 40 | 24 | PK | D03742 1 | | 21-25-11 | D04978J | 2 | | | L2 | 3 | | |
| 41 | 22 | PA | D03742 3 | | 21-25-11 | GDX0001 | D.. | 2 | | L2 | 3 | | |
| 42 | 24 | PK | D03742 24 | | 21-25-11 | D04978J | 1 | | | L2 | 3 | | |
| 43 | 22 | PA | D03742 4 | | 21-25-11 | GDX0001 | D.. | 2 | | L2 | 3 | | |
| 44 | 24 | PK | D03742 22 | | 21-25-11 | D04978J | 3 | | | L2 | 3 | | |
| 45 | 24 | PK | D03742 23 | | 21-25-11 | D04978J | 4 | | | L2 | 3 | | |
| 46 | 24 | PK | D03742 7 | | 21-26-11 | D08068J | 50 | | | L2 | 3 | | |
| 47 | 22 | PA | D03742 9 | | 21-26-11 | GDX0001 | D.. | 2 | | L2 | 3 | | |
| 48 | 24 | PK | D03742 28 | | 21-26-11 | D08068J | 15 | | | L2 | 3 | | |
| 49 | 24 | PK | D03742 8 | | 21-26-11 | D08068J | 18 | | | L2 | 3 | | |
| 50 | 24 | PK | D03742 6 | | 21-26-11 | D08068J | 16 | | | L2 | 3 | | |
| 51 | 24 | PK | D03742 27 | | 21-26-11 | D08068J | 19 | | | L2 | 3 | | |
| 52 | 24 | PK | D03742 36 | | 21-26-11 | TB0158F A017 | 2 | | | L2 | 4 | | |
| 53 | 24 | PK | D03742 13 | | 21-58-14 | D08112J | 33 | | | L2 | 4 | | |
| 54 | 22 | PA | D03742 15 | | 21-58-14 | GDX0001 | D.. | 2 | | L2 | 3 | | |
| 55 | 24 | PK | TB0158G 27 | 2 | 21-58-14 | D08068J | 46 | | | L2 | 2 | | VE085-VE100, VE171-VE180, VF061-VF110, VF161-VF170 |
| 55 | 24 | PK | TB0158Y C014 | BJ | 21-58-14 | D08068J | 46 | | | L2 | 3 | | VN151-VN153 |

286T1078-140
Wire Bundle Assembly
Figure 103 (Sheet 4)

25-71-01



BOEING
COMPONENT
MAINTENANCE MANUAL

| WIRE | | FROM EQUIPMENT | | | | TO EQUIPMENT | | | | WIRE INFO | | | | |
|--------|----|----------------|---------|------|----|--------------|---------|--------|------|-----------|---------|----|--------|--------------------------|
| NUMBER | GA | TYP | NUMBER | TERM | TT | WDM | REF | NUMBER | TERM | TT | EMC/SEP | FT | NOTES | EFFECTIVITY |
| 55 | 24 | PK | TB0158Y | C008 | BJ | 21-58-14 | D08068J | 46 | | | L2 | 3 | | VN154-VN170 |
| 56 | 24 | PK | D03742 | 33 | | 21-58-14 | D08112J | 10 | | | L2 | 3 | | |
| 57 | 24 | PK | D03742 | 11 | | 21-58-14 | D08112J | 8 | | | L2 | 3 | | |
| 58 | 24 | PK | D03742 | 32 | | 21-58-14 | D08112J | 11 | | | L2 | 3 | | |
| 59 | 24 | PK | D03742 | 14 | | 21-58-14 | TB0158F | C017 | 2 | | L2 | 4 | | |
| 61 | 24 | PK | D01886 | 5 | | 36-11-51 | D08112J | 28 | | | L2 | 3 | | |
| 62 | 24 | PK | D03742 | 35 | | 21-26-11 | D08112J | 13 | | | L2 | 3 | | |
| 63 | 24 | PK | TB0158F | C020 | 2 | 21-58-14 | D03742 | 38 | | | L2 | 4 | | |
| 64 | 24 | PK | D03738 | 19 | | 21-53-22 | D04978J | 30 | | | L2 | 3 | | |
| 65 | 22 | PA | D03738 | 21 | | 21-53-22 | GDX0001 | D.. | 2 | | L2 | 3 | | |
| 66 | 24 | PK | D03738 | 6 | | 21-53-22 | D04978J | 25 | | | L2 | 3 | | |
| 67 | 24 | PK | D03738 | 3 | | 21-53-22 | TB0182X | C011 | BJ | | L2 | 4 | | |
| 68 | 24 | PK | D03738 | 37 | | 21-53-22 | D04978J | 27 | | | L2 | 3 | | |
| 69 | 24 | PK | D03738 | 36 | | 21-53-22 | D04978J | 28 | | | L2 | 3 | | |
| 70 | 24 | PK | D03738 | 35 | | 21-53-22 | D04978J | 29 | | | L2 | 3 | | |
| 71 | 24 | PK | D03738 | 8 | | 21-53-22 | TB0158F | C012 | 2 | | L2 | 4 | | |
| 72 | 24 | PK | D03738 | 4 | | 21-53-22 | D08068J | 12 | | | L2 | 3 | | |
| 73 | 24 | PK | D03738 | 10 | | 21-53-22 | D08068J | 13 | | | L2 | 3 | | |
| 74 | 24 | PK | D03738 | 7 | | 21-53-22 | D08068J | 10 | | | L2 | 3 | | |
| 75 | 24 | PK | D03738 | 11 | | 21-53-22 | D08068J | 11 | | | L2 | 3 | | |
| 76 | 24 | PK | D03738 | 12 | | 21-53-22 | D08068J | 8 | | | L2 | 3 | | |
| 77 | 24 | PK | D03738 | 9 | | 21-53-22 | D08068J | 9 | | | L2 | 3 | | |
| 78 | 24 | PK | D03738 | 16 | | 21-53-22 | D08068J | 6 | | | L2 | 3 | | |
| 79 | 24 | PK | D03738 | 14 | | 21-53-22 | D08068J | 5 | | | L2 | 3 | | |
| 80 | 24 | PK | D03738 | 15 | | 21-53-22 | D08068J | 4 | | | L2 | 3 | | |
| 81 | 24 | PK | D03738 | 13 | | 21-53-22 | D08068J | 3 | | | L2 | 3 | | |
| 82 | 24 | PK | D03738 | 18 | | 21-53-22 | D08068J | 2 | | | L2 | 3 | | |
| 83 | 24 | PK | D03738 | 17 | | 21-53-22 | D08068J | 1 | | | L2 | 3 | | |
| 84 | 24 | PK | D03738 | 5 | | 21-53-22 | D08068J | 7 | | | L2 | 3 | | |
| 85 | 22 | PA | D01886 | 60 | | 36-11-51 | SM0001 | | W | | L2 | 3 | | |
| 86 | 22 | PA | D01886 | 40 | | 36-11-51 | D08068J | 42 | | | L2 | 3 | | |
| 87 | 22 | PA | D01886 | 39 | | 36-11-51 | D08068J | 41 | | | L2 | 3 | | |
| 88 | 24 | PK | D08030J | 10 | | 73-21-18 | TB0182X | A011 | BJ | | L2 | 3 | | VF071-VF090, VN151-VN170 |
| 89 | 24 | PK | D08030J | 12 | | 73-21-18 | D08028J | 3 | | | L2 | 3 | MLA-B2 | VE085-VE086 |

286T1078-140
Wire Bundle Assembly
Figure 103 (Sheet 5)

25-71-01

| WIRE | | FROM EQUIPMENT | | | TO EQUIPMENT | | | WIRE INFO | | | | | |
|--------|----|----------------|---------|------|--------------|----------|---------|-----------|----|---------|----|--------|--|
| NUMBER | GA | TYP | NUMBER | TERM | TT | WDM REF | NUMBER | TERM | TT | EMC/SEP | FT | NOTES | EFFECTIVITY |
| 89 | 24 | PK | D08030J | 12 | | 73-21-18 | TB0182Y | C014 | BJ | L2 | 3 | | VF071-VF090, VN163-VN170 |
| 89 | 24 | PK | D08030J | 12 | | 73-21-18 | TB0182Y | A013 | BJ | L2 | 3 | | VN151-VN162 |
| 90 | 24 | PK | D08068J | 55 | | 21-51-11 | TB0158Y | A005 | BJ | L2 | 3 | | VE085-VE100, VE171-VE180, VF091-VF110, VN151-VN170 |
| 92 | 24 | PK | D01886 | 20 | | 36-11-51 | D08068J | 25 | | L2 | 3 | | |
| 93 | 22 | PA | D01886 | 35 | | 36-11-51 | D08068J | 22 | | L2 | 3 | | |
| 94 | 24 | PK | D01886 | 53 | | 36-11-51 | TB0158Y | C005 | BJ | L2 | 4 | | |
| 95 | 24 | PK | D01886 | 28 | | 36-11-61 | D08068J | 34 | | L2 | 3 | | |
| 97 | 24 | PK | D01886 | 52 | | 36-11-51 | D08068J | 23 | | L2 | 3 | | |
| 98 | 24 | PK | D08112J | 44 | | 21-58-17 | TB0248Y | A009 | BJ | L2 | 3 | | VF091-VF100 |
| 99 | 22 | PA | D01886 | 2 | | 36-22-11 | D08030J | 44 | | L2 | 3 | | |
| 100 | 22 | PA | D01886 | 31 | | 36-11-61 | D08068J | 31 | | L2 | 3 | | |
| 101 | 24 | PK | D01886 | 1 | | 36-11-61 | D08068J | 35 | | L2 | 3 | | |
| 102 | 22 | PA | D01886 | 56 | | 36-11-61 | D08068J | 33 | | L2 | 3 | | |
| 103 | 24 | PK | D01886 | 58 | | 36-11-61 | D08068J | 32 | | L2 | 3 | | |
| 104 | 22 | PA | SM00007 | | W | 36-11-61 | D08068J | 36 | | L2 | 2 | | |
| 105 | 24 | PK | D01886 | 64 | | 36-11-41 | TB0248Y | A003 | BJ | L2 | 4 | | |
| 106 | 24 | PK | TB0158Y | C005 | BJ | 36-11-51 | D08068J | 26 | | L2 | 3 | | |
| 107 | 24 | PK | TB0158Y | C005 | BJ | 36-11-51 | D08068J | 29 | | L2 | 3 | | |
| 108 | 22 | PA | TB0182Y | A002 | BJ | 21-58-11 | D08112J | 34 | | R2 | 2 | | |
| 109 | 24 | PV | TB0248Y | A013 | BJ | 73-21-17 | D04978J | 32 | | L2 | 3 | | |
| 109F | 20 | UA | GDX0001 | S.. | 2 | 73-21-17 | D04978J | | | L2 | 2 | | |
| 109Z | | | TB0248Y | C014 | BJ | 73-21-17 | D04978J | | | L2 | | | |
| 110 | 24 | PK | D08068J | 47 | | 28-22-12 | TB0248X | D001 | BJ | L2 | 3 | | |
| 111 | 22 | PA | D02672 | 26 | | 22-24-11 | D05277J | 1 | | L2 | 3 | | |
| 112 | 24 | PK | D02672 | 22 | | 22-12-11 | D05277J | 22 | | L2 | 3 | | |
| 113 | 24 | PK | D02672 | 23 | | 22-12-11 | D05277J | 23 | | L2 | 3 | | |
| 114 | 24 | PK | D08112J | 14 | | 21-51-11 | TB0248Y | C004 | BJ | L2 | 3 | ZSZ-B6 | VE085-VE085 |
| 114 | 24 | PK | D08112J | 14 | | 21-51-11 | TB0248Y | C004 | BJ | L2 | 3 | | VE086-VE086, VF091-VF091 |
| 114 | 24 | PK | D08112J | 14 | | 21-51-11 | TB0248Y | CAP | Y | L2 | 3 | | VE171-VE171 |
| 114 | 24 | PK | D08112J | 14 | | 21-51-11 | TB0248 | CAP | Y | L2 | 3 | ZSZ-B6 | VF061-VF061 |
| 114 | 24 | PK | D04978J | 6 | | 21-51-21 | TB0182X | D016 | BJ | L2 | 3 | | VF071-VF071, VN151-VN155 |
| 115 | 22 | PA | D02672 | 8 | | 27-58-21 | GDX0001 | A.. | 2 | L2 | 4 | | |
| 116 | 24 | PK | D03742 | 29 | | 21-26-11 | TB0158F | A020 | 2 | L2 | 3 | | |
| 117 | 24 | PK | D02672 | 7 | | 27-58-21 | D08030J | 29 | | L2 | 3 | | |

286T1078-140
Wire Bundle Assembly
Figure 103 (Sheet 6)

25-71-01



BOEING
COMPONENT
MAINTENANCE MANUAL

| WIRE | | FROM EQUIPMENT | | | TO EQUIPMENT | | | WIRE INFO | | | | | |
|--------|----|----------------|---------|------|--------------|----------|---------|-----------|----|---------|----|-------|---|
| NUMBER | GA | TYP | NUMBER | TERM | TT | WDM REF | NUMBER | TERM | TT | EMC/SEP | FT | NOTES | EFFECTIVITY |
| 120 | 24 | PK | D02672 | 38 | | 22-12-11 | D05277J | 24 | | L2 | 3 | | |
| 121 | 24 | PK | D02672 | 39 | | 22-12-11 | D05277J | 25 | | L2 | 3 | | |
| 122 | 22 | PA | D02672 | 28 | | 73-21-19 | D08030J | 32 | | L2 | 3 | | |
| 123 | 24 | PK | D02160 | 19 | | 73-21-19 | TB0248D | C022 | 2 | L2 | 3 | | |
| 124 | 24 | PV | TB0248Y | A013 | BJ | 73-21-19 | D08030J | 15 | | L2 | 3 | | |
| 124Z | | | D08030J | 27 | | 73-21-19 | TB0248Y | C014 | BJ | L2 | | | |
| 125 | 22 | PA | D02160 | 2 | | 73-21-19 | D08030J | 14 | | R2 | 3 | | |
| 126 | 22 | PA | D02160 | 35 | | 73-21-19 | D08030J | 31 | | L2 | 3 | | |
| 127 | 22 | PA | D02160 | 64 | | 73-21-17 | GDX0001 | D.. | 2 | L2 | 4 | | |
| 130 | 24 | PK | D02160 | 62 | | 22-32-13 | D05277J | 11 | | L2 | 3 | | |
| 132 | 20 | UA | D02160 | | | 73-21-17 | GDX0001 | S.. | 2 | L2 | 4 | | |
| 133 | 24 | PV | D02160 | 8 | | 73-21-12 | D08030J | 6 | | L2 | 3 | | VE085-VE100, VE171-VE180, VF061-VF110, VN151-VN170 VF161-VF170 |
| 133Z | | | D02160 | | | 73-21-12 | D08030J | | | L2 | | | |
| 133Z | | | D02160 | | | 73-21-12 | D08030J | | | L2 | | | |
| 134 | 24 | PK | D02160 | 7 | | 73-21-12 | D08030J | 33 | | L2 | 3 | | |
| 135 | 24 | PK | D05209J | 20 | | 31-51-42 | TB0182D | A026 | 2 | L2 | 3 | | |
| 136 | 24 | PK | D08068J | 30 | | 36-11-41 | TB0248Y | A003 | BJ | L2 | 3 | | |
| 138 | 24 | PV | D02160 | 40 | | 73-21-12 | D04978J | 55 | | L2 | 3 | | |
| 138F | 20 | UA | D02160 | | | 73-21-12 | GDX0001 | S.. | 2 | L2 | 3 | | VE085-VE100, VE171-VE180, VF061-VF110, VN151-VN170 VF161-VF170 |
| 138F | 20 | UA | D02160 | | | 73-21-12 | GDX0001 | S.. | 2 | L2 | 4 | | |
| 138Z | | | D02160 | | | 73-21-12 | D04978J | 54 | | L2 | | | |
| 138Z | | | D02160 | | | 73-21-12 | D04978J | 54 | | L2 | | | |
| 139 | 24 | PV | D02160 | 41 | | 73-21-12 | TB0248Z | 7 | BJ | L2 | 3 | | VE085-VE100, VE171-VE180, VF061-VF110, VN151-VN170 VF161-VF170 |
| 139Z | | | D02160 | | | 73-21-12 | TB0248Z | 8 | BJ | L2 | | | |
| 139Z | | | D02160 | | | 73-21-12 | TB0248Z | 8 | BJ | L2 | | | |
| 140 | 24 | PK | D02160 | 61 | | 73-21-17 | D08030J | 36 | | L2 | 3 | | |
| 141 | 24 | PK | D02160 | 54 | | 73-21-16 | D08030J | 34 | | L2 | 3 | | VE085-VE100, VE171-VE180, VF061-VF070, VF091-VF110 VF071-VF090, VF161-VF170, VN151-VN170 |
| 141 | 24 | PK | D02160 | 54 | | 73-21-16 | D08030J | 1 | | L2 | 3 | | |
| 143 | 24 | PK | D02160 | 53 | | 22-32-13 | D05277J | 8 | | L2 | 3 | | |
| 144 | 24 | PK | D02160 | 32 | | 73-21-17 | TB0182X | D012 | BJ | R2 | 4 | | |
| 145 | 24 | PK | D02160 | 30 | | 22-32-13 | D05277J | 10 | | L2 | 3 | | |
| 146 | 24 | PK | TB0182X | C012 | BJ | 73-21-17 | D08030J | 37 | | R2 | 3 | | |
| 149 | 24 | PV | TB0248Z | 7 | | 73-21-17 | D08030J | 4 | | L2 | 3 | | |
| 149Z | | | TB0248Z | 8 | | 73-21-17 | D08030J | | | L2 | | | |

286T1078-140
Wire Bundle Assembly
Figure 103 (Sheet 7)

25-71-01

TESTING & FAULT ISOLATION
01
Page 114G
Nov 01/02

| WIRE | | FROM EQUIPMENT | | | TO EQUIPMENT | | | WIRE INFO | | | | | |
|--------|----|----------------|---------|------|--------------|----------|---------|-----------|-----|---------|----|-------|---|
| NUMBER | GA | TYP | NUMBER | TERM | TT | WDM REF | NUMBER | TERM | TT | EMC/SEP | FT | NOTES | EFFECTIVITY |
| 156 | 24 | PK | D08068J | 51 | | 30-31-11 | TB0248Y | C013 | BJ | L2 | 3 | | |
| 157 | 22 | PA | D08068J | 17 | | 36-11-51 | TB0248X | B002 | BJ | L2 | 3 | | |
| 158 | 24 | PK | D08068J | 52 | | 30-34-11 | TB0248X | C002 | BJ | L2 | 3 | | |
| 160 | 24 | PK | D08030J | 16 | | 73-21-17 | TB0182Y | C010 | BJ | L2 | 3 | | |
| 161 | 24 | PK | D08112J | 22 | | 73-21-18 | TB0182Y | A008 | BJ | L2 | 3 | | VE085-VE100, VE171-VE180, VF061-VF070, VF101-VF110, VF161-VF170 |
| 161 | 24 | PK | D08112J | 22 | | 73-21-18 | TB0248X | A016 | BJ | L2 | 3 | | VF071-VF100, VN151-VN170 |
| 163 | 24 | PV | D02160 | 6 | | 73-21-17 | TB0248Z | 7 | BJ | L2 | 4 | | |
| 163Z | | | D02160 | | | 73-21-17 | TB0248Z | 8 | BJ | L2 | 4 | | |
| 165 | 24 | PK | D02160 | 23 | | 22-32-13 | D05277J | 9 | L2 | L2 | 3 | | |
| 167 | 24 | PK | D02160 | 59 | | 73-21-15 | TB0182Y | C005 | BJ | R2 | 4 | | |
| 168 | 24 | PK | D02160 | 26 | | 22-32-13 | D05277J | 12 | L2 | L2 | 3 | | |
| 169 | 24 | PK | D02160 | 65 | | 73-21-15 | TB0182Y | A006 | BJ | L2 | 4 | | |
| 170 | 24 | PK | D02160 | 66 | | 73-21-15 | TB0182Y | A003 | BJ | L2 | 4 | | |
| 176 | 24 | PK | D08112J | 25 | | 36-11-52 | TB0248X | A011 | BJ | L2 | 3 | | |
| 177 | 24 | PK | D08112J | 4 | | 36-11-61 | D01886 | 37 | L2 | L2 | 4 | | |
| 178 | 24 | PK | D02160 | 57 | | 34-61-13 | TB0182Y | A005 | BJ | L2 | 4 | | |
| 179 | 24 | PK | D02160 | 55 | | 34-61-13 | TB0182Y | A004 | BJ | L2 | 4 | | |
| 180 | 24 | PK | D02160 | 29 | | 34-61-13 | TB0182Y | A009 | BJ | L2 | 4 | | |
| 181 | 24 | PK | D02160 | 1 | | 34-61-13 | TB0182Y | C009 | BJ | L2 | 4 | | |
| 182 | 24 | PK | D02160 | 21 | | 34-61-13 | TB0182Y | A010 | BJ | L2 | 4 | | |
| 184 | 24 | PV | TB0158G | 1 | 2 | 34-61-13 | D05209J | 1 | R2 | L2 | 3 | | VE085-VE086, VE171-VE171, VF061-VF061, VF091-VF091, VN151-VN170 |
| 184 | 24 | PV | TB0158Y | A003 | BJ | 34-61-13 | D05209J | 1 | R2 | L2 | 4 | | VE087-VE100, VE172-VE180, VF062-VF090, VF092-VF110 |
| 184 | 24 | PV | TB0158Y | A003 | BJ | 34-61-13 | D05209J | 1 | R2 | L2 | 4 | | VF161-VF170 |
| 184Z | | | TB0158G | DED | DED | 34-61-13 | D05209J | DED | DED | L2 | | | VE085-VE100, VE171-VE180, VF061-VF100, VN151-VN170 |
| 184Z | | | TB0158Y | DED | DED | 34-61-13 | D05209J | DED | DED | L2 | | | VF101-VF110 |
| 184Z | | | TB0158Y | DED | DED | 34-61-13 | D05209J | DED | DED | L2 | | | VF161-VF170 |
| 185 | 24 | PV | TB0158G | 18 | 2 | 34-61-13 | D05209J | 2 | R2 | L2 | 3 | | |
| 185Z | | | TB0158G | DED | DED | 34-61-13 | D05209J | DED | DED | L2 | | | |
| 186 | 24 | PV | TB0158G | 21 | 2 | 34-61-13 | D05209J | 3 | R2 | L2 | 3 | | |
| 186Z | | | TB0158G | DED | DED | 34-61-13 | D05209J | DED | DED | L2 | | | |
| 187 | 24 | PV | TB0158G | 22 | 2 | 34-61-13 | D05209J | 4 | R2 | L2 | 3 | | |
| 187Z | | | TB0158G | DED | DED | 34-61-13 | D05209J | DED | DED | L2 | | | |

286T1078-140
Wire Bundle Assembly
Figure 103 (Sheet 8)

25-71-01

TESTING & FAULT ISOLATION
01 Page 114H
Nov 01/02

BOEING
 COMPONENT
 MAINTENANCE MANUAL

| WIRE | | FROM EQUIPMENT | | | | TO EQUIPMENT | | | | WIRE INFO | | | |
|--------|----|----------------|---------|------|----|--------------|---------|------|----|-----------|----|-------|---|
| NUMBER | GA | TYP | NUMBER | TERM | TT | WDM REF | NUMBER | TERM | TT | EMC/SEP | FT | NOTES | EFFECTIVITY |
| 188 | 24 | FV | TB0158G | 23 | 2 | 34-61-13 | D05209J | 5 | | R2 | 3 | | |
| 188Z | | | TB0158G | DED | | 34-61-13 | D05209J | DED | | L2 | | | |
| 189 | 24 | PK | TB0182Y | A005 | BJ | 34-61-13 | D05209J | 6 | | L2 | 3 | | |
| 190 | 24 | PK | TB0182Y | A004 | BJ | 34-61-13 | D05209J | 7 | | L2 | 3 | | |
| 191 | 24 | PK | TB0182Y | A009 | BJ | 34-61-13 | D05209J | 8 | | L2 | 3 | | |
| 192 | 24 | PK | TB0182Y | C009 | BJ | 34-61-13 | D05209J | 9 | | L2 | 3 | | |
| 193 | 24 | PK | TB0182Y | A010 | BJ | 34-61-13 | D05209J | 10 | | L2 | 3 | | |
| 194 | 24 | PK | D02672 | 29 | | 27-58-21 | TB0248D | C017 | 2 | L2 | 4 | | |
| 195 | 24 | PK | D08112J | 5 | | 36-11-62 | TB0248X | B011 | BJ | L2 | 3 | | |
| 197 | 22 | PA | D02672 | 43 | | 27-58-21 | GDX0001 | D.. | 2 | L2 | 3 | | |
| 198 | 22 | PA | TB0248D | A018 | 2 | 27-61-11 | D05277J | 16 | | L2 | 3 | | |
| 201B | 24 | FL | D02672 | 18 | | 27-58-31 | D08030J | 20 | | L2 | 3 | | |
| 201R | 24 | FL | D02672 | 17 | | 27-58-31 | D08030J | 21 | | L2 | 3 | | |
| 202B | 24 | FL | D02672 | 21 | | 22-32-13 | D05277J | 21 | | L2 | 3 | | |
| 202R | 24 | FL | D02672 | 19 | | 22-32-13 | D05277J | 20 | | L2 | 3 | | |
| 203B | 24 | PL | D02672 | 9 | | 27-58-21 | D08030J | 22 | | L2 | 3 | | |
| 203R | 24 | PL | D02672 | 10 | | 27-58-21 | D08030J | 23 | | L2 | 3 | | |
| 204B | 22 | PB | D02672 | 41 | | 27-41-11 | D05277J | 5 | | L2 | 3 | | |
| 204R | 22 | PB | D02672 | 40 | | 27-41-11 | D05277J | 4 | | L2 | 3 | | |
| 207B | 24 | PL | TB0158F | A019 | 2 | 27-51-31 | D08030J | 18 | | L2 | 3 | | |
| 207R | 24 | PL | TB0158F | C019 | 2 | 27-51-31 | D08030J | 19 | | L2 | 3 | | |
| 208B | 24 | FL | D02672 | 35 | | 27-58-21 | D05277J | 32 | | L2 | 3 | | |
| 208R | 24 | FL | D02672 | 31 | | 27-58-21 | D05277J | 33 | | L2 | 3 | | |
| 211B | 24 | PW | D08030J | 40 | | 77-12-12 | TB0182Y | C018 | BJ | L2 | 3 | | VE085-VE100, VE171-VE180, VF061-VF110, VF161-VF170, VN163-VN170 |
| 211B | 24 | PW | D08030J | 40 | | 77-12-12 | TB0158Y | C026 | BJ | L2 | 3 | | VN151-VN162 |
| 211R | 24 | PW | D08030J | 38 | | 77-12-12 | TB0182Y | A018 | BJ | L2 | | | VE085-VE100, VE171-VE180, VF061-VF110, VF161-VF170, VN163-VN170 |
| 211R | 24 | PW | D08030J | 38 | | 77-12-12 | TB0158Y | A026 | BJ | L2 | | | VN151-VN162 |
| 211Z | | | D08030J | 39 | | 77-12-12 | TB0182Y | A017 | BJ | L2 | | | VE085-VE086, VF061-VF061 |
| 211Z | | | D08030J | 39 | | 77-12-12 | TB0182Y | REF | | L2 | | | VE087-VE100, VE171-VE180, VF062-VF110, VF161-VF170, VN163-VN170 |
| 211Z | | | D08030J | 39 | | 77-12-12 | TB0158Z | 28 | BJ | L2 | | | VN151-VN162 |
| 240 | 22 | PA | D08112J | 36 | | 36-11-61 | D01886 | 27 | | L2 | 3 | | |

286T1078-140
 Wire Bundle Assembly
 Figure 103 (Sheet 9)

25-71-01

| WIRE | | FROM EQUIPMENT | | | TO EQUIPMENT | | | WIRE INFO | | | | | |
|--------|----|----------------|---------|------|--------------|----------|---------|-----------|----|---------|----|-------|---|
| NUMBER | CA | TYP | NUMBER | TERM | TT | WDM REF | NUMBER | TERM | TT | EMC/SEP | FT | NOTES | EFFECTIVITY |
| 241 | 22 | PA | D08112J | 37 | | 36-11-61 | D01886 | 61 | | L2 | 3 | | |
| 242 | 24 | PK | D08112J | 38 | | 36-11-61 | D01886 | 47 | | L2 | 3 | | |
| 243 | 24 | PK | D08112J | 39 | | 36-11-61 | D01886 | 18 | | L2 | 3 | | |
| 246 | 24 | PK | D08112J | 23 | | 36-11-61 | D01886 | 65 | | L2 | 3 | | |
| 247 | 24 | PK | D08112J | 24 | | 36-11-62 | TB0248X | D011 | BJ | L2 | 3 | | |
| 248 | 22 | PA | D01886 | 66 | | 36-11-61 | SM00007 | | W | L2 | 3 | | |
| 249 | 22 | PA | D01886 | 34 | | 36-11-61 | SM00007 | | W | L2 | 3 | | |
| 250B | 24 | PW | D08112J | 42 | | 77-12-12 | TB0182Y | C018 | BJ | L2 | 3 | | VE085-VE100, VE171-VE180, VF061-VF110, VF161-VF170, VN163-VN170 |
| 250B | 24 | PW | D08112J | 42 | | 77-12-12 | TB0158Y | C026 | BJ | L2 | 3 | | VN151-VN162 |
| 250R | 24 | PW | D08112J | 41 | | 77-12-12 | TB0182Y | A018 | BJ | L2 | | | VE085-VE100, VE171-VE180, VF061-VF110, VF161-VF170, VN163-VN170 |
| 250R | 24 | PW | D08112J | 41 | | 77-12-12 | TB0182Y | A017 | BJ | L2 | | | VN151-VN162 |
| 250Z | 24 | PW | D08112J | 43 | | 77-12-12 | TB0182Y | REF | | L2 | | | VE085-VE086, VF061-VF061 |
| 250Z | 24 | PW | D08112J | 43 | | 77-12-12 | TB0182Y | REF | | L2 | | | VE087-VE100, VE171-VE180, VF062-VF110, VF161-VF170, VN163-VN170 |
| 250Z | 24 | PK | D08112J | 43 | | 77-12-12 | TB0158Z | 28 | BJ | L2 | | | VN151-VN162 |
| 251 | 24 | PK | D08112J | 40 | | 36-11-61 | D01886 | 17 | | L2 | 3 | | |
| 252 | 22 | PA | D08068J | 44 | | 36-11-51 | SM00001 | | W | L2 | 1 | | |
| 301B | 24 | PM | D02672 | 12 | | 27-58-21 | D08030J | 24 | | L2 | 3 | | |
| 301R | 24 | PM | D02672 | 13 | | 27-58-21 | D08030J | 25 | | L2 | | | |
| 301Y | 24 | PM | D02672 | 11 | | 27-58-21 | D08030J | 26 | | L2 | | | |
| 302B | 24 | PM | D02672 | 32 | | 27-58-21 | D05277J | 29 | | L2 | 3 | | |
| 302R | 24 | PM | D02672 | 33 | | 27-58-21 | D05277J | 30 | | L2 | | | |
| 302Y | 24 | PM | D02672 | 34 | | 27-58-21 | D05277J | 31 | | L2 | | | |
| 400 | 24 | PK | D02160 | 5 | | SPARE | D08030J | 53 | | L2 | 3 | | VE085-VE085 |
| 401 | 24 | PK | D02160 | 9 | | SPARE | D08030J | 5 | | L2 | 3 | | VE085-VE085 |
| 404 | 24 | PK | D02160 | 10 | | SPARE | D08030J | 45 | | L2 | 3 | | VE085-VE085 |
| 405 | 24 | PK | D02160 | 12 | | SPARE | D08030J | CAP | Y | L2 | 3 | | VE085-VE085 |
| 406 | 24 | PK | D02160 | 15 | | SPARE | D08030J | 52 | | L2 | 3 | | VE085-VE085 |
| 408 | 22 | PA | D02160 | 16 | | SPARE | GDX0001 | D.. | E | L2 | 3 | | VE085-VE085 |
| 409 | 24 | PK | D02160 | 18 | | SPARE | D08030J | 47 | | L2 | 3 | | VE085-VE085 |
| 410 | 24 | PK | D02160 | 38 | | SPARE | D08030J | 54 | | L2 | 3 | | VE085-VE085 |
| 411 | 24 | PK | D02160 | 49 | | SPARE | D08112J | 31 | | L2 | 3 | | VE085-VE085 |

286T1078-140
Wire Bundle Assembly
Figure 103 (Sheet 10)

25-71-01



BOEING
COMPONENT
MAINTENANCE MANUAL

| WIRE | | FROM EQUIPMENT | | | TO EQUIPMENT | | | WIRE INFO | | | | | |
|--------|----|----------------|---------|------|--------------|----------|---------|-----------|----|---------|----|-------|---|
| NUMBER | GA | TYP | NUMBER | TERM | TT | WDM REF | NUMBER | TERM | TT | EMC/SEP | FT | NOTES | EFFECTIVITY |
| 412 | 24 | PK | D02160 | 52 | | SPARE | D08030J | 51 | | L2 | 3 | | VE085-VE085 |
| 413 | 24 | PK | TB0182X | B015 | BJ | SPARE | D08030J | 35 | | L2 | 2 | | VE085-VE085 |
| 414 | 24 | PK | TB0182X | C015 | BJ | SPARE | D08030J | 10 | | L2 | 2 | | VE085-VE085 |
| 415 | 24 | PK | TB0182X | A015 | BJ | SPARE | D08030J | 49 | | L2 | 2 | | VE085-VE085 |
| 416 | 24 | PK | TB0182X | D015 | BJ | SPARE | D08112J | 30 | | L2 | 2 | | VE085-VE085 |
| 500 | 24 | PK | D01884 | 37 | | 21-51-11 | D01886 | 38 | | L2 | 2 | | VE085-VE100, VE171-VE180, VF061-VF070, VF091-VF110, VF161-VF170 |
| 500 | 24 | PK | D04978J | 21 | | 21-51-11 | D01886 | 38 | | L2 | 4 | | VF071-VF090, VN151-VN170 |
| 501 | 24 | PK | D01884 | 38 | | 21-51-11 | D04978J | 9 | | L2 | 3 | | VE085-VE100, VE171-VE180, VF061-VF070, VF091-VF110, VF161-VF170 |
| 502 | 24 | PK | D01884 | 16 | | 21-51-11 | TB0158F | A025 | 2 | L2 | 4 | | VE085-VE100, VE171-VE180, VF061-VF070, VF091-VF110, VF161-VF170 |
| 502 | 24 | PK | D04978J | 15 | | 21-51-11 | TB0182X | A016 | BJ | L2 | 4 | | VF071-VF090 |
| 502 | 24 | PK | D04978J | 15 | | 21-51-11 | TB0182X | A016 | BJ | L2 | 3 | | VN151-VN170 |
| 503 | 24 | PK | TB0158F | C025 | 2 | 21-51-21 | D01886 | 4 | | L2 | 4 | | VE085-VE100, VE171-VE180, VF061-VF070, VF091-VF110, VF161-VF170 |
| 503 | 24 | PK | TB0182X | B016 | BJ | 21-51-21 | D01886 | 4 | | L2 | 4 | | VF071-VF090, VN151-VN170 |
| 505 | 24 | PK | D02160 | 33 | | 73-21-15 | TB0158G | 26 | 2 | L2 | 4 | | VE085-VE100, VE171-VE180, VF061-VF070, VF091-VF110, VF161-VF170 |
| 505 | 24 | PK | D02160 | 33 | | 73-21-15 | TB0158Y | A006 | BJ | L2 | 4 | | VF071-VF090, VN151-VN170 |
| 505 | 24 | PK | D02160 | 33 | | 73-21-15 | TB0158Y | A014 | BJ | L2 | 4 | | VN151-VN153 |
| 506 | 24 | PK | TB0158G | 26 | 2 | 34-61-13 | D05209J | 11 | | L2 | 3 | | VE085-VE100, VE171-VE180, VF061-VF070, VF091-VF110, VF161-VF170 |
| 506 | 24 | PK | TB0158Y | A006 | BJ | 34-61-13 | D05209J | 11 | | L2 | 3 | | VF071-VF090, VN151-VN170 |
| 506 | 24 | PK | TB0158Y | A014 | BJ | 34-61-13 | D05209J | 11 | | L2 | 3 | | VN151-VN153 |
| 507R | 22 | PH | D04978J | 42 | | 26-18-12 | D01886 | 36 | | L2 | 3 | | |
| 508R | 22 | PH | D04978J | 43 | | 26-18-12 | D01886 | 57 | | L2 | 3 | | |
| 509 | 24 | PK | D08068J | 39 | | 21-24-11 | TB0182X | A015 | BJ | L2 | 3 | | VF071-VF100, VN151-VN170 |
| 510 | 24 | PK | D08068J | 43 | | 21-24-11 | TB0182X | D015 | BJ | L2 | 3 | | VF071-VF100, VN151-VN170 |
| 512 | 24 | PK | D08068J | 53 | | 21-24-11 | TB0182X | C015 | BJ | L2 | 3 | | VF071-VF100, VN151-VN170 |
| 513 | 22 | PA | D08068J | 54 | | 21-24-11 | TB0182X | B015 | BJ | L2 | 3 | | VF071-VF100, VN151-VN170 |
| 514 | 24 | PK | D08068J | 37 | | 21-24-11 | TB0248Y | A010 | BJ | L2 | 3 | | VF071-VF090, VN151-VN170 |
| 514 | 24 | PK | D08068J | 37 | | 21-24-11 | TB0158G | 15 | 2 | L2 | 3 | | VF091-VF100 |
| 515 | 24 | PK | D08068J | 38 | | 21-24-11 | TB0248Y | A010 | BJ | L2 | 3 | | VF071-VF090, VN151-VN170 |

286T1078-140
Wire Bundle Assembly
Figure 103 (Sheet 11)

25-71-01

TESTING & FAULT ISOLATION
01 Page 114K
Nov 01/02

| WIRE | | FROM EQUIPMENT | | | | TO EQUIPMENT | | | | WIRE INFO | | | |
|--------|----|----------------|---------|------|----|--------------|---------|------|----|-----------|----|-------------------|---|
| NUMBER | GA | TYP | NUMBER | TERM | TT | WDM REF | NUMBER | TERM | TT | EMC/SEP | FT | NOTES | EFFECTIVITY |
| 515 | 24 | PK | D08068J | 38 | | 21-24-11 | TB0158G | 15 | 2 | L2 | 3 | | VF091-VF100 |
| 517 | 24 | PK | TB0248X | A002 | BJ | 21-58-11 | D04978J | 13 | | L2 | 3 | | VE085-VE100, VE171-VE180, VF061-VF090, VF101-VF110, VF161-VF170, VN151-VN170 |
| 517 | 24 | PK | TB0248Y | A010 | BJ | 21-58-11 | D04978J | 13 | | L2 | 3 | | VF091-VF100 |
| 518 | 24 | PK | D01884 | 30 | | 21-53-12 | TB0182X | B012 | BJ | L2 | 4 | | VE085-VE100, VE171-VE180, VF061-VF070, VF091-VF110, VF161-VF170 |
| 518 | 24 | PK | D04978J | 33 | | 21-51-11 | TB0182X | B012 | BJ | L2 | 4 | | VF071-VF090 |
| 518 | 24 | PK | D04978J | 33 | | 21-51-11 | TB0182X | B012 | BJ | L2 | 3 | | VN151-VN170 |
| 520 | 24 | PK | TB0248D | C017 | 2 | 27-58-21 | TB0248D | C018 | 2 | L2 | 2 | | |
| 521 | 24 | PK | TB0248D | A017 | 2 | 34-46-12 | D05277J | 28 | | L2 | 3 | | |
| 522 | 22 | PA | D05209J | 22 | | 34-45-13 | TB0158D | A014 | 2 | L2 | 3 | | |
| 523 | 24 | PV | D08030J | 2 | | 73-21-11 | TB0182X | C027 | BJ | L2 | 2 | | |
| 523Z | | | D08030J | | | 73-21-11 | TB0182X | D027 | BJ | L2 | | | |
| 524 | 24 | PK | D04978J | 8 | | 21-58-12 | TB0182X | A028 | BJ | L2 | 2 | | |
| 525 | 24 | PK | D04978J | 14 | | 21-58-12 | TB0182X | B028 | BJ | L2 | 2 | | |
| 526 | 24 | PK | D04978J | 37 | | 21-58-12 | TB0182X | C028 | BJ | L2 | 2 | | |
| 527 | 24 | PK | D03742 | 12 | | 21-58-14 | TB0158G | 27 | 2 | L2 | 3 | | VE085-VE100, VE171-VE180, VF061-VF110, VF161-VF170 |
| 527 | 24 | PK | D03742 | 12 | | 21-58-14 | TB0158Y | C014 | BJ | L2 | 3 | | VN151-VN153 |
| 527 | 24 | PK | D03742 | 12 | | 21-58-14 | TB0158Y | C008 | BJ | L2 | 3 | | VN154-VN170 |
| 528R | 22 | PH | D04978J | 44 | | 26-18-12 | D01886 | 6 | | L2 | 3 | | |
| 529R | 22 | PU | D08112J | 21 | | 26-18-22 | SP03260 | | S | L2 | 4 | | |
| 529Z | 22 | PH | D08112J | 21 | | 26-18-22 | TB0248X | C001 | BJ | L2 | 3 | | VE171-VE180, VF061-VF110, VF161-VF170 |
| 532 | 24 | PK | D04978J | 48 | | 21-58-12 | TB0182X | D028 | BJ | L2 | 2 | | |
| 535 | 24 | PV | D08030J | 7 | | 73-21-17 | TB0248Z | 7 | BJ | L2 | 3 | | |
| 535Z | | | D08030J | 8 | | 73-21-17 | TB0248Z | 8 | BJ | L2 | | | |
| 544JA | 24 | PV | TB0248Y | A013 | BJ | 73-21-17 | TB0248Z | 7 | BJ | L2 | 2 | | |
| 544Z | 22 | PA | TB0248Y | C014 | BJ | 73-21-17 | TB0248Z | 8 | BJ | L2 | | | VF172-VE172, VF062-VF062, VF071-VF072, VF092-VF093, VF101-VF102, VN156-VN157, VN163-VN167 |
| 558 | 22 | PA | D05209J | 24 | | 34-45-13 | TB0158D | A014 | 2 | L2 | 3 | | VF061-VF061 |
| 558 | 22 | PA | D05209J | 24 | | 34-45-13 | TB0158D | A015 | 2 | L2 | 3 | MLA-F2, MNU-T2 | |
| 558 | 22 | PA | D05209J | 24 | | 34-45-13 | TB0182D | A024 | 2 | L2 | 3 | MLA-F2, MNU-T2 | |

286T1078-140
Wire Bundle Assembly
Figure 103 (Sheet 12)

25-71-01



BOEING
COMPONENT
MAINTENANCE MANUAL

| WIRE | | FROM EQUIPMENT | | | TO EQUIPMENT | | | WIRE INFO | | | | | |
|--------|----|----------------|---------|------|--------------|----------|---------|-----------|----|---------|----|-------------------|---|
| NUMBER | GA | TYP | NUMBER | TERM | TT | WDM REF | NUMBER | TERM | TT | EMC/SEP | FT | NOTES | EFFECTIVITY |
| 600 | 22 | PA | D02672 | 44 | | 27-41-11 | D05277J | 15 | | L2 | 3 | | |
| 609 | 24 | PV | D08030J | 9 | | 73-21-17 | TB0248Z | 7 | BJ | L2 | 3 | | |
| 609Z | | | D08030J | | | 73-21-17 | TB0248Z | 8 | BJ | L2 | | | |
| 618 | 24 | PK | D08030J | 50 | | 73-21-18 | TB0248X | D016 | BJ | L2 | 3 | MLA-F2, MNU-T2 | VE085-VE086, VNI151-VN155 |
| 618 | 24 | PK | D08030J | 50 | | 73-21-18 | TB0248X | D016 | BJ | L2 | 3 | | VF071-VF072, VNI156-VN158, VNI163-VN168 |
| 618 | 24 | PK | D08030J | 50 | | 73-21-11 | TB0248X | D016 | BJ | L2 | 3 | | VF073-VF090, VNI159-VN162, VNI169-VN170 |
| 621 | 22 | PA | TB0248Y | C010 | BJ | 21-66-11 | D04978J | 53 | | L2 | 3 | | VF071-VF090, VNI163-VN170 |
| 700 | 24 | PK | D05209J | 18 | | 31-31-21 | D02672 | 14 | | L2 | 4 | | VF071-VF110, VNI151-VN170 |
| 701 | 24 | PK | D08112J | 6 | | 36-22-11 | TB0248Y | C009 | BJ | L2 | 3 | | |
| 702 | 22 | PA | D08030J | 41 | | 36-22-11 | SM00008 | | W | L2 | 2 | | |
| 703 | 24 | PK | D08112J | 9 | | 36-22-11 | SM00008 | | W | L2 | 2 | | |
| 707 | 22 | PA | SM00009 | | W | 21-51-11 | D04978J | 34 | | L2 | 2 | | VE085-VE100, VE171-VE180, VF061-VF070, VF091-VF110, VF161-VF170 |
| 708 | 24 | PK | D08112J | 19 | | 21-51-21 | TB0158G | 16 | 2 | L2 | 3 | | |
| 709 | 24 | PK | D08112J | 20 | | 21-51-21 | TB0182Y | C001 | BJ | L2 | 3 | | |
| 712 | 24 | PK | D08112J | 16 | | 21-51-11 | SM00009 | | W | L2 | 2 | | VE085-VE100, VE171-VE180, VF061-VF070, VF091-VF110, VF161-VF170 |
| 713 | 24 | PK | D08112J | 17 | | 21-51-11 | SM00010 | | W | L2 | 2 | | VE085-VE100, VE171-VE180, VF061-VF070, VF091-VF110, VF161-VF170 |
| 718 | 24 | PK | D03742 | 25 | | 21-25-11 | D04978J | 12 | | L2 | 3 | | |
| 720 | 24 | PK | D08112J | 32 | | 21-58-11 | TB0182Y | A001 | BJ | L2 | 3 | | |
| 721 | 24 | PK | D05209J | 19 | | 31-31-21 | D02672 | 16 | | L2 | 4 | | |
| 722 | 24 | PK | D08112J | 1 | | 21-58-14 | D03742 | 37 | | L2 | 3 | | VF071-VF110, VNI151-VN170 |
| 724 | 24 | PK | D08112J | 3 | | 21-58-15 | TB0248X | A012 | BJ | L2 | 3 | | VE085-VE100, VE171-VE180, VF061-VF090, VF101-VF110, VF161-VF170, VNI151-VN170 |
| 724 | 24 | PK | D08112J | 3 | | 21-58-15 | TB0248Y | A009 | BJ | L2 | 3 | | |
| 725 | 24 | PK | D03742 | 2 | | 21-25-11 | TB0248D | A019 | 2 | L2 | 3 | | |
| 726 | 24 | PK | TB0248Y | C010 | BJ | 21-25-11 | TB0248D | C019 | 2 | L2 | 2 | | |
| 727 | 24 | PK | TB0248Y | C010 | BJ | 21-25-11 | D04978J | 7 | | L2 | 3 | | |
| 728 | 24 | PK | TB0248X | C011 | BJ | 21-26-11 | D08112J | 12 | | L2 | 3 | | |
| 737 | 24 | PK | D01886 | 54 | | 36-11-51 | SM00002 | | W | L2 | 3 | | |
| 738 | 22 | PA | D01886 | 11 | | 36-11-51 | D08068J | 28 | | L2 | 3 | | |
| 739 | 22 | PA | D01886 | 59 | | 36-11-51 | SM00001 | | W | L2 | 3 | | |

286T1078-140
Wire Bundle Assembly
Figure 103 (Sheet 13)

25-71-01

| WIRE | | | FROM EQUIPMENT | | | | TO EQUIPMENT | | | | WIRE INFO | | | |
|--------|----|-----|----------------|------|----|----------|--------------|------|----|---------|-----------|--------|---|--|
| NUMBER | GA | TYP | NUMBER | TERM | TT | WDM REF | NUMBER | TERM | TT | EMC/SEP | FT | NOTES | EFFECTIVITY | |
| 740 | 22 | PA | D08068J | 24 | | 36-11-51 | SM00001 | | W | L2 | 3 | | | |
| 741 | 24 | PK | D08068J | 40 | | 36-11-51 | SM00002 | | W | L2 | 3 | | | |
| 744 | 22 | PA | D01886 | 46 | | 36-11-51 | D08068J | 27 | | L2 | 3 | | | |
| 749 | 24 | PK | D04978J | 26 | | 21-58-11 | TB0248X | A001 | BJ | L2 | 4 | | | |
| 752 | 22 | PA | SM00008 | | W | 36-22-11 | D01886 | 3 | | L2 | 3 | | | |
| 763 | 24 | PV | TB0182Y | A007 | BJ | 73-21-11 | D04978J | 41 | | L2 | 3 | | | |
| 763Z | | | TB0182Y | C007 | BJ | 73-21-11 | D04978J | 40 | | L2 | 3 | | | |
| 764 | 24 | PV | D08030J | 46 | | 73-21-11 | TB0248Z | 7 | BJ | L2 | 3 | | | |
| 764Z | | | D08030J | | | 73-21-11 | TB0248Z | 8 | BJ | L2 | 3 | | | |
| 766 | 24 | PK | D08030J | 11 | | 27-51-31 | TB0158F | A024 | 2 | L2 | 3 | | | |
| 767 | 24 | PK | D08030J | 42 | | 27-58-31 | D02672 | 52 | | L2 | 4 | | | |
| 778 | 24 | PK | D02160 | 27 | | 73-21-15 | TB0248X | C012 | BJ | L2 | 4 | | | |
| 779 | 22 | PA | D08030J | 43 | | 73-21-19 | TB0248D | C022 | 2 | L2 | 2 | | | |
| 780 | 22 | PA | D08030J | 17 | | 73-21-19 | TB0248D | A022 | 2 | L2 | 2 | | | |
| 781 | 22 | PA | D08068J | 49 | | 36-11-51 | SM00001 | | W | L2 | 2 | | VN157-VN157, VN167-VN167 | |
| 901 | 24 | PK | D08112J | 18 | | 21-58-11 | TB0182X | B011 | BJ | L2 | 3 | 2SZ-B6 | VE085-VE086 | |
| 901 | 24 | PK | D08112J | 18 | | 21-58-11 | TB0182X | B011 | BJ | L2 | 3 | | VE087-VE100, VE171-VE180, VF061-VF110, VF161-VF170, VN151-VN170 | |

286T1078-140
Wire Bundle Assembly
Figure 103 (Sheet 14)

BOEING
 COMPONENT
 MAINTENANCE MANUAL

| WIRE | | FROM EQUIPMENT | | | TO EQUIPMENT | | | WIRE INFO | | | | | |
|--------|----|----------------|---------|------|--------------|----------|---------|-----------|----|---------|----|--------|-------------|
| NUMBER | GA | TYP | NUMBER | TERM | TT | WDM REF | NUMBER | TERM | TT | EMC/SEP | FT | NOTES | EFFECTIVITY |
| FRA | | | D08030J | 48 | | 73-21-11 | D08030J | | | L2 | | | |
| FRI | | | D04978J | 54 | | 73-21-17 | D04978J | | | L2 | | | |
| PA1 | | | D03742 | 26 | | 99-99-99 | D03742 | 34 | | L2 | | DAW-B2 | |
| PB1 | | | D01884 | 25 | | 99-99-99 | D01884 | 35 | | L2 | | DAW-B2 | |
| PC1 | | | D03738 | 22 | | 99-99-99 | D03738 | 38 | | L2 | | DAW-B2 | |
| PE1 | | | D02672 | 47 | | 27-58-21 | D02672 | 64 | | L2 | | DAW-B2 | |
| PF1 | | | D02160 | 11 | | 73-21-15 | D02160 | 20 | | L2 | | DAW-B2 | |
| S03 | | SL | D01884 | | | | | | | R2 | 2 | ISL-F2 | |
| S29 | | SL | D08112J | | | | | | | R2 | 1 | ISL-F2 | |
| S34 | | SY | D02160 | | | | | | | R2 | 2 | ISY-F2 | |
| S65 | | SL | D08030J | | | | | | | R2 | 1 | ISL-F2 | |
| 1 | 24 | PK | D01884 | 19 | | 21-51-11 | D04978J | 6 | | L2 | 3 | | |
| 2 | 22 | PA | D01884 | 21 | | 21-51-11 | GDX0001 | D.. | 2 | L2 | 3 | | |
| 3 | 24 | PK | D01884 | 13 | | 21-51-11 | TB0248Y | C004 | BJ | L2 | 4 | | |
| 4 | 24 | PK | D01884 | 14 | | 21-51-11 | D04978J | 19 | | L2 | 3 | | |
| 5 | 24 | PK | D01884 | 8 | | 21-51-11 | D04978J | 18 | | L2 | 3 | | |
| 6 | 24 | PK | D01884 | 7 | | 21-51-11 | D04978J | 17 | | L2 | 3 | | |
| 7 | 24 | PK | D01884 | 36 | | 21-51-11 | TB0158Y | A002 | BJ | L2 | 4 | | |
| 8 | 24 | PK | D01884 | 15 | | 21-51-21 | TB0158Y | C002 | BJ | L2 | 4 | | |
| 9 | 24 | PK | D01884 | 17 | | 21-51-11 | D04978J | 15 | | L2 | 3 | | |
| 10 | 24 | PK | D05209J | 12 | | 31-51-42 | TB0182D | A019 | 2 | L2 | 3 | | |
| 12 | 24 | PK | D01884 | 3 | | 21-51-11 | TB0158Y | A006 | BJ | L2 | 4 | | |
| 13 | 24 | PK | TB0182X | A011 | BJ | 73-21-17 | D02160 | 42 | | L2 | 4 | | |
| 14 | 24 | PK | D01884 | 4 | | 21-51-11 | TB0158Y | C006 | BJ | L2 | 4 | | |
| 15 | 24 | PK | D01884 | 5 | | 21-51-11 | TB0158Y | A005 | BJ | L2 | 4 | | |
| 16 | 24 | PK | D01884 | 22 | | 21-51-11 | D04978J | 20 | | L2 | 3 | | |
| 17 | 24 | PK | D01884 | 1 | | 21-51-11 | D04978J | 21 | | L2 | 3 | | |
| 18 | 24 | PK | D01884 | 27 | | 21-51-11 | TB0182D | A023 | 2 | L2 | 4 | | |
| 19 | 24 | PK | D01884 | 6 | | 21-51-11 | TB0158X | B023 | BJ | L2 | 4 | | |
| 20 | 22 | PA | D01884 | 28 | | 21-51-11 | SMO0009 | | W | L2 | 3 | | |
| 21 | 24 | PK | D01884 | 31 | | 21-25-11 | D04978J | 5 | | L2 | 3 | | |
| 22 | 24 | PK | D01884 | 9 | | 21-53-11 | D04978J | 24 | | L2 | 3 | | |
| 23 | 24 | PK | D01884 | 26 | | 21-53-12 | TB0158F | A012 | 2 | R2 | 4 | | |

286T1078-211
 Wire Bundle Assembly
 Figure 104 (Sheet 1)

25-71-01

| WIRE | | | FROM EQUIPMENT | | | | TO EQUIPMENT | | | | WIRE INFO | | | |
|--------|----|-----|----------------|------|----|----------|--------------|------|----|---------|-----------|-------|-------------|--|
| NUMBER | GA | TYP | NUMBER | TERM | TT | WDM REF | NUMBER | TERM | TT | EMC/SEP | FT | NOTES | EFFECTIVITY | |
| 25 | 24 | PK | D01884 | 2 | | 21-51-11 | D08068J | 20 | | L2 | 3 | | | |
| 26 | 24 | PK | D01884 | 32 | | 73-21-15 | TB0248X | D012 | BJ | L2 | 4 | | | |
| 27 | 24 | PK | D02160 | 25 | | 73-21-15 | D01884 | 18 | | L2 | 3 | | | |
| 28 | 22 | PA | D01884 | 10 | | 21-51-11 | TB0158Y | C005 | BJ | L2 | 4 | | | |
| 29 | 24 | PK | D02160 | 24 | | 73-21-15 | TB0158Y | C008 | BJ | L2 | 4 | | | |
| 30 | 24 | PK | D01884 | 12 | | 21-51-11 | TB0158Y | A009 | BJ | L2 | 4 | | | |
| 31 | 24 | PK | TB0158Y | A002 | BJ | 21-51-11 | D04978J | 16 | | L2 | 4 | | | |
| 32 | 24 | PK | TB0158Y | A009 | BJ | 21-51-11 | D08112J | 15 | | L2 | 3 | | | |
| 34 | 24 | PK | TB0158Y | A006 | BJ | 21-51-11 | D04978J | 10 | | L2 | 4 | | | |
| 35 | 24 | PK | D08068J | 48 | | 21-51-11 | TB0158Y | C006 | BJ | L2 | 3 | | | |
| 36 | 22 | PA | SM00009 | | W | 21-51-11 | D04978J | 23 | | L2 | 2 | | | |
| 38 | 24 | PK | D03738 | 24 | | 21-51-23 | D08068J | 45 | | L2 | 3 | | | |
| 39 | 22 | PA | TB0158Y | C005 | BJ | 21-51-11 | D04978J | 22 | | L2 | 3 | | | |
| 40 | 24 | PK | D03742 | 1 | | 21-25-11 | D04978J | 2 | | L2 | 3 | | | |
| 41 | 22 | PA | D03742 | 3 | | 21-25-11 | GDX0001 | D.. | 2 | L2 | 3 | | | |
| 42 | 24 | PK | D03742 | 24 | | 21-25-11 | D04978J | 1 | | L2 | 3 | | | |
| 43 | 22 | PA | D03742 | 4 | | 21-25-11 | GDX0001 | D.. | 2 | L2 | 3 | | | |
| 44 | 24 | PK | D03742 | 22 | | 21-25-11 | D04978J | 3 | | L2 | 3 | | | |
| 45 | 24 | PK | D03742 | 23 | | 21-25-11 | D04978J | 4 | | L2 | 3 | | | |
| 46 | 24 | PK | D03742 | 7 | | 21-26-11 | D08068J | 50 | | L2 | 3 | | | |
| 47 | 22 | PA | D03742 | 9 | | 21-26-11 | GDX0001 | D.. | 2 | L2 | 3 | | | |
| 48 | 24 | PK | D03742 | 28 | | 21-26-11 | D08068J | 15 | | L2 | 3 | | | |
| 49 | 24 | PK | D03742 | 8 | | 21-26-11 | D08068J | 18 | | L2 | 3 | | | |
| 50 | 24 | PK | D03742 | 6 | | 21-26-11 | D08068J | 16 | | L2 | 3 | | | |
| 51 | 24 | PK | D03742 | 27 | | 21-26-11 | D08068J | 19 | | L2 | 3 | | | |
| 52 | 24 | PK | D03742 | 36 | | 21-26-11 | TB0158F | A017 | 2 | L2 | 4 | | | |
| 53 | 24 | PK | D03742 | 13 | | 21-58-14 | D08112J | 33 | | L2 | 4 | | | |
| 54 | 22 | PA | D03742 | 15 | | 21-58-14 | GDX0001 | D.. | 2 | L2 | 3 | | | |
| 55 | 24 | PK | TB0158G | 27 | 2 | 21-58-14 | D08068J | 46 | | L2 | 2 | | | |
| 56 | 24 | PK | D03742 | 33 | | 21-58-14 | D08112J | 10 | | L2 | 3 | | | |
| 57 | 24 | PK | D03742 | 11 | | 21-58-14 | D08112J | 8 | | L2 | 3 | | | |
| 58 | 24 | PK | D03742 | 32 | | 21-58-14 | D08112J | 11 | | L2 | 3 | | | |
| 59 | 24 | PK | D03742 | 14 | | 21-58-14 | TB0158F | C017 | 2 | L2 | 4 | | | |

286T1078-211
Wire Bundle Assembly
Figure 104 (Sheet 2)

25-71-01



BOEING
COMPONENT
MAINTENANCE MANUAL

| WIRE | | FROM EQUIPMENT | | | TO EQUIPMENT | | | WIRE INFO | | | | | |
|--------|----|----------------|---------|------|--------------|----------|---------|-----------|----|---------|----|-------|-------------|
| NUMBER | GA | TYP | NUMBER | TERM | TT | WDM REF | NUMBER | TERM | TT | EMC/SEP | FT | NOTES | EFFECTIVITY |
| 62 | 24 | PK | D03742 | 35 | | 21-26-11 | D08112J | 13 | | L2 | 3 | | |
| 63 | 24 | PK | TB0158F | C020 | 2 | 21-58-14 | D03742 | 38 | | L2 | 4 | | |
| 64 | 24 | PK | D03738 | 19 | | 21-53-22 | D04978J | 30 | | L2 | 3 | | |
| 65 | 22 | PA | D03738 | 21 | | 21-53-22 | GDX0001 | D.. | 2 | L2 | 3 | | |
| 66 | 24 | PK | D03738 | 6 | | 21-53-22 | D04978J | 25 | | L2 | 3 | | |
| 67 | 24 | PK | D03738 | 3 | | 21-53-22 | TB0182X | C011 | BJ | L2 | 4 | | |
| 68 | 24 | PK | D03738 | 37 | | 21-53-22 | D04978J | 27 | | L2 | 3 | | |
| 69 | 24 | PK | D03738 | 36 | | 21-53-22 | D04978J | 28 | | L2 | 3 | | |
| 70 | 24 | PK | D03738 | 35 | | 21-53-22 | D04978J | 29 | | L2 | 3 | | |
| 71 | 24 | PK | D03738 | 8 | | 21-53-22 | TB0158F | C012 | 2 | L2 | 4 | | |
| 72 | 24 | PK | D03738 | 4 | | 21-53-22 | D08068J | 12 | | L2 | 3 | | |
| 73 | 24 | PK | D03738 | 10 | | 21-53-22 | D08068J | 13 | | L2 | 3 | | |
| 74 | 24 | PK | D03738 | 7 | | 21-53-22 | D08068J | 10 | | L2 | 3 | | |
| 75 | 24 | PK | D03738 | 11 | | 21-53-22 | D08068J | 11 | | L2 | 3 | | |
| 76 | 24 | PK | D03738 | 12 | | 21-53-22 | D08068J | 8 | | L2 | 3 | | |
| 77 | 24 | PK | D03738 | 9 | | 21-53-22 | D08068J | 9 | | L2 | 3 | | |
| 78 | 24 | PK | D03738 | 16 | | 21-53-22 | D08068J | 6 | | L2 | 3 | | |
| 79 | 24 | PK | D03738 | 14 | | 21-53-22 | D08068J | 5 | | L2 | 3 | | |
| 80 | 24 | PK | D03738 | 15 | | 21-53-22 | D08068J | 4 | | L2 | 3 | | |
| 81 | 24 | PK | D03738 | 13 | | 21-53-22 | D08068J | 3 | | L2 | 3 | | |
| 82 | 24 | PK | D03738 | 18 | | 21-53-22 | D08068J | 2 | | L2 | 3 | | |
| 83 | 24 | PK | D03738 | 17 | | 21-53-22 | D08068J | 1 | | L2 | 3 | | |
| 84 | 24 | PK | D03738 | 5 | | 21-53-22 | D08068J | 7 | | L2 | 3 | | |
| 88 | 24 | PK | D08030J | 3 | | 73-21-18 | TB0182X | B016 | BJ | L2 | 3 | | |
| 89 | 24 | PK | D08030J | 47 | | 73-21-18 | TB0182Y | A008 | BJ | L2 | 3 | | |
| 90 | 24 | PK | D08068J | 55 | | 21-51-11 | TB0158Y | A005 | BJ | L2 | 3 | | |
| 108 | 22 | PA | TB0182Y | A002 | BJ | 21-58-11 | D08112J | 34 | | R2 | 2 | | |
| 109 | 24 | PV | TB0248Y | A013 | BJ | 73-21-17 | D04978J | 32 | | L2 | 3 | | |
| 109F | 20 | UA | GDX0001 | S.. | 2 | 73-21-17 | D04978J | | | L2 | 2 | | |
| 109Z | | | TB0248Y | C014 | BJ | 73-21-17 | D04978J | | | L2 | | | |
| 110 | 24 | PK | D08068J | 47 | | 28-22-12 | TB0248X | D001 | BJ | L2 | 3 | | |
| 111 | 22 | PA | D02672 | 26 | | 22-24-11 | D05277J | 1 | | L2 | 3 | | |
| 112 | 24 | PK | D02672 | 22 | | 22-12-11 | D05277J | 22 | | L2 | 3 | | |

286T1078-211
Wire Bundle Assembly
Figure 104 (Sheet 3)

25-71-01

| WIRE | | | FROM EQUIPMENT | | | | TO EQUIPMENT | | | | WIRE INFO | | | |
|--------|----|-----|----------------|------|----|----------|--------------|------|----|---------|-----------|-------|-------------|--|
| NUMBER | GA | TYP | NUMBER | TERM | TT | WDM REF | NUMBER | TERM | TT | EMC/SEP | FT | NOTES | EFFECTIVITY | |
| 113 | 24 | PK | D02672 | 23 | | 22-12-11 | D05277J | 23 | | L2 | 3 | | | |
| 114 | 24 | PK | D08112J | 14 | | 21-51-11 | TB0248Y | C004 | % | L2 | 3 | | | |
| 115 | 22 | PA | D02672 | 8 | | 27-58-21 | GDX001 | A.. | 2 | L2 | 4 | | | |
| 116 | 24 | PK | D03742 | 29 | | 21-26-11 | TB0158F | A020 | 2 | L2 | 3 | | | |
| 117 | 24 | PK | D02672 | 7 | | 27-58-21 | D08030J | 29 | | L2 | 3 | | | |
| 120 | 24 | PK | D02672 | 38 | | 22-12-11 | D05277J | 24 | | L2 | 3 | | | |
| 121 | 24 | PK | D02672 | 39 | | 22-12-11 | D05277J | 25 | | L2 | 3 | | | |
| 122 | 22 | PA | D02672 | 28 | | 73-21-19 | D08030J | 32 | | L2 | 3 | | | |
| 123 | 24 | PK | D02160 | 19 | | 73-21-19 | TB0248D | C022 | 2 | L2 | 3 | | | |
| 124 | 24 | PV | TB0248Y | A013 | BJ | 73-21-19 | D08030J | 15 | | L2 | 3 | | | |
| 124Z | | | D08030J | 27 | | 73-21-19 | TB0248Y | C014 | BJ | L2 | | | | |
| 125 | 22 | PA | D02160 | 2 | | 73-21-19 | D08030J | 14 | | R2 | 3 | | | |
| 126 | 22 | PA | D02160 | 35 | | 73-21-19 | D08030J | 31 | | L2 | 3 | | | |
| 127 | 22 | PA | D02160 | 64 | | 73-21-17 | GDX001 | D.. | 2 | L2 | 4 | | | |
| 130 | 24 | PK | D02160 | 62 | | 22-32-13 | D05277J | 11 | | L2 | 3 | | | |
| 132 | 20 | UA | D02160 | | | 73-21-17 | GDX001 | S.. | 2 | L2 | 4 | | | |
| 133 | 24 | PV | D02160 | 8 | | 73-21-12 | D08030J | 6 | | L2 | 3 | | | |
| 133Z | | | D02160 | | | 73-21-12 | D08030J | 39 | | L2 | | | | |
| 134 | 24 | PK | D02160 | 7 | | 73-21-12 | D08030J | 33 | | L2 | 3 | | | |
| 135 | 24 | PK | D05209J | 20 | | 31-51-42 | TB0182D | A026 | 2 | L2 | 3 | | | |
| 140 | 24 | PK | D02160 | 61 | | 73-21-17 | D08030J | 36 | | L2 | 3 | | | |
| 141 | 24 | PK | D02160 | 54 | | 73-21-16 | D08030J | 34 | | L2 | 3 | | | |
| 143 | 24 | PK | D02160 | 53 | | 22-32-13 | D05277J | 8 | | L2 | 3 | | | |
| 144 | 24 | PK | D02160 | 32 | | 73-21-17 | TB0182X | D012 | BJ | R2 | 4 | | | |
| 145 | 24 | PK | D02160 | 30 | | 22-32-13 | D05277J | 10 | | L2 | 3 | | | |
| 146 | 24 | PK | TB0182X | C012 | BJ | 73-21-17 | D08030J | 37 | | R2 | 3 | | | |
| 156 | 24 | PK | D08068J | 51 | | 30-31-11 | TB0248Y | C013 | BJ | L2 | 3 | | | |
| 157 | 24 | PK | D08068J | 17 | | 36-11-51 | TB0248X | B002 | BJ | L2 | 3 | | | |
| 158 | 24 | PK | D08068J | 52 | | 30-34-11 | TB0248X | C002 | BJ | L2 | 3 | | | |
| 160 | 24 | PK | D08030J | 16 | | 73-21-17 | TB0182X | A011 | BJ | L2 | 3 | | | |
| 161 | 24 | PK | D08112J | 22 | | 73-21-18 | TB0182X | D011 | BJ | L2 | 3 | | | |
| 163 | 24 | PV | D02160 | 6 | | 73-21-17 | TB0248Z | 7 | BJ | L2 | 4 | | | |
| 163Z | | | D02160 | | | 73-21-17 | TB0248Z | 8 | BJ | L2 | | | | |

286T1078-211
Wire Bundle Assembly
Figure 104 (Sheet 4)

25-71-01



BOEING
COMPONENT
MAINTENANCE MANUAL

| WIRES | | FROM EQUIPMENT | | | TO EQUIPMENT | | | WIRE INFO | | | | | |
|--------|----|----------------|--------------|------|--------------|----------|--------------|-----------|----|-----------|----|-------|-------------|
| NUMBER | GA | TYP | NUMBER | TERM | TT | WDM REF | NUMBER | TERM | TT | EMC / SEP | FT | NOTES | EFFECTIVITY |
| 165 | 24 | PK | D02160 | 23 | | 22-32-13 | D05277J | 9 | | L2 | 3 | | |
| 167 | 24 | PK | D02160 | 59 | | 73-21-15 | TB0182Y C005 | BJ | | R2 | 4 | | |
| 168 | 24 | PK | D02160 | 26 | | 22-32-13 | D05277J | 12 | | L2 | 3 | | |
| 169 | 24 | PK | D02160 | 65 | | 73-21-15 | TB0182Y A006 | BJ | | L2 | 4 | | |
| 170 | 24 | PK | D02160 | 66 | | 73-21-15 | TB0182Y A003 | BJ | | L2 | 4 | | |
| 178 | 24 | PK | D02160 | 57 | | 34-61-13 | TB0182Y A005 | BJ | | L2 | 4 | | |
| 179 | 24 | PK | D02160 | 55 | | 34-61-13 | TB0182Y A004 | BJ | | L2 | 4 | | |
| 180 | 24 | PK | D02160 | 29 | | 34-61-13 | TB0182Y A009 | BJ | | L2 | 4 | | |
| 181 | 24 | PK | D02160 | 1 | | 34-61-13 | TB0182Y C009 | BJ | | L2 | 4 | | |
| 182 | 24 | PK | D02160 | 21 | BJ | 34-61-13 | TB0182Y A010 | BJ | | L2 | 4 | | |
| 184 | 24 | PV | TB0158Y A001 | BJ | | 34-61-13 | D05209J | 1 | | R2 | 4 | | |
| 184Z | | | TB0158Y DED | DED | | 34-61-13 | D05209J | DED | | L2 | | | |
| 185 | 24 | PV | TB0158Y C022 | BJ | | 34-61-13 | D05209J | 2 | | R2 | 3 | | |
| 185Z | | | TB0158Y DED | DED | | 34-61-13 | D05209J | DED | | L2 | | | |
| 186 | 24 | PV | TB0158Y A021 | BJ | | 34-61-13 | D05209J | 3 | | R2 | 3 | | |
| 186Z | | | TB0158Y DED | DED | | 34-61-13 | D05209J | DED | | R2 | | | |
| 187 | 24 | PV | TB0158Y C021 | BJ | | 34-61-13 | D05209J | 4 | | R2 | 3 | | |
| 187Z | | | TB0158Y DED | DED | | 34-61-13 | D05209J | DED | | L2 | | | |
| 188 | 24 | PV | TB0158Y A022 | BJ | | 34-61-13 | D05209J | 5 | | R2 | 3 | | |
| 188Z | | | TB0158Y DED | DED | | 34-61-13 | D05209J | DED | | L2 | | | |
| 189 | 24 | PK | TB0182Y A005 | BJ | | 34-61-13 | D05209J | 6 | | L2 | 3 | | |
| 190 | 24 | PK | TB0182Y A004 | BJ | | 34-61-13 | D05209J | 7 | | L2 | 3 | | |
| 191 | 24 | PK | TB0182Y A009 | BJ | | 34-61-13 | D05209J | 8 | | L2 | 3 | | |
| 192 | 24 | PK | TB0182Y C009 | BJ | | 34-61-13 | D05209J | 9 | | L2 | 3 | | |
| 193 | 24 | PK | TB0182Y A010 | BJ | | 34-61-13 | D05209J | 10 | | L2 | 3 | | |
| 194 | 24 | PK | D02672 | 29 | | 27-58-21 | TB0248D C017 | 2 | | L2 | 4 | | |
| 197 | 22 | PA | D02672 | 43 | | 27-58-21 | GDX0001 | D.. | 2 | L2 | 3 | | |
| 198 | 22 | PA | TB0248D A018 | 2 | | 27-61-11 | D05277J | 16 | | L2 | 3 | | |
| 201B | 24 | PL | D02672 | 18 | | 27-58-31 | D08030J | 20 | | L2 | 3 | | |
| 201R | 24 | PL | D02672 | 17 | | 27-58-31 | D08030J | 21 | | L2 | | | |
| 202B | 24 | PL | D02672 | 21 | | 22-32-13 | D05277J | 21 | | L2 | 3 | | |
| 202R | 24 | PL | D02672 | 19 | | 22-32-13 | D05277J | 20 | | L2 | | | |
| 203B | 24 | PL | D02672 | 9 | | 27-58-21 | D08030J | 22 | | L2 | 3 | | |

286T1078-211
Wire Bundle Assembly
Figure 104 (Sheet 5)

25-71-01

TESTING & FAULT ISOLATION
01

Page 114S
Nov 01/02

| WIRE | | | FROM EQUIPMENT | | | | TO EQUIPMENT | | | | WIRE INFO | | | |
|--------|----|-----|----------------|------|----|----------|--------------|------|----|---------|-----------|-------|-------------|--|
| NUMBER | GA | TYP | NUMBER | TERM | TT | WDM REF | NUMBER | TERM | TT | EMC/SEP | FT | NOTES | EFFECTIVITY | |
| 203R | 24 | PL | D02672 | 10 | | 27-58-21 | D08030J | 23 | | L2 | | | | |
| 204B | 22 | PB | D02672 | 41 | | 27-41-11 | D05277J | 5 | | L2 | 3 | | | |
| 204R | 22 | PB | D02672 | 40 | | 27-41-11 | D05277J | 4 | | L2 | | | | |
| 207B | 24 | PL | TB0158F | A019 | 2 | 27-51-31 | D08030J | 18 | | L2 | 3 | | | |
| 207R | 24 | PL | TB0158F | C019 | 2 | 27-51-31 | D08030J | 19 | | L2 | | | | |
| 208B | 24 | PL | D02672 | 35 | | 27-58-21 | D05277J | 32 | | L2 | 3 | | | |
| 208R | 24 | PL | D02672 | 31 | | 27-58-21 | D05277J | 33 | | L2 | | | | |
| 211B | 24 | PW | D08068J | 25 | | 77-12-13 | TB0182X | C018 | BJ | L2 | 3 | | | |
| 211R | 24 | PW | D08068J | 24 | | 77-12-13 | TB0182X | B018 | BJ | L2 | | | | |
| 211Z | 24 | PW | D08068J | 26 | | 77-12-13 | TB0182X | A018 | BJ | L2 | | | | |
| 240B | 24 | PW | D05277J | 3 | | 36-11-61 | D08068J | 33 | | L2 | 3 | | | |
| 240R | 24 | PW | D05277J | 2 | | 36-11-61 | D08068J | 32 | | L2 | | | | |
| 240Z | 24 | PW | D05277J | 6 | | 36-11-61 | D08068J | 31 | | L2 | | | | |
| 250B | 24 | PW | D04978J | 47 | | 77-12-13 | TB0182X | C017 | BJ | L2 | 3 | | | |
| 250R | 24 | PW | D04978J | 46 | | 77-12-13 | TB0182X | B017 | BJ | L2 | | | | |
| 250Z | 24 | PW | D04978J | 45 | | 77-12-13 | TB0182X | A017 | BJ | L2 | | | | |
| 301B | 24 | PM | D02672 | 12 | | 27-58-21 | D08030J | 24 | | L2 | 3 | | | |
| 301R | 24 | PM | D02672 | 13 | | 27-58-21 | D08030J | 25 | | L2 | | | | |
| 301Y | 24 | PM | D02672 | 11 | | 27-58-21 | D08030J | 26 | | L2 | | | | |
| 302B | 24 | PM | D02672 | 32 | | 27-58-21 | D05277J | 29 | | L2 | 3 | | | |
| 302R | 24 | PM | D02672 | 33 | | 27-58-21 | D05277J | 30 | | L2 | | | | |
| 302Y | 24 | PM | D02672 | 34 | | 27-58-21 | D05277J | 31 | | L2 | | | | |
| 500 | 24 | PK | D01884 | 37 | | 21-51-11 | TB0158Y | C010 | BJ | L2 | 4 | | | |
| 501 | 24 | PK | D01884 | 38 | | 21-51-11 | D04978J | 9 | | L2 | 3 | | | |
| 502 | 24 | PK | D01884 | 16 | | 21-51-11 | TB0158Y | A010 | BJ | L2 | 4 | | | |
| 503 | 24 | PK | D08068J | 38 | | 21-51-11 | TB0158Y | C010 | BJ | L2 | 3 | | | |
| 505 | 24 | PK | D02160 | 33 | | 73-21-15 | TB0158G | 26 | 2 | L2 | 4 | | | |
| 506 | 24 | PK | TB0158G | 26 | 2 | 34-61-13 | D05209J | 11 | | L2 | 3 | | | |
| 517 | 24 | PK | TB0248X | A002 | BJ | 21-58-11 | D04978J | 13 | | L2 | 3 | | | |
| 518 | 24 | PK | D01884 | 30 | | 21-53-12 | TB0182X | B012 | BJ | L2 | 4 | | | |
| 520 | 24 | PK | TB0248D | C017 | 2 | 27-58-21 | TB0248D | C018 | 2 | L2 | 2 | | | |
| 521 | 24 | PK | TB0248D | A017 | 2 | 34-46-12 | D05277J | 28 | | L2 | 3 | | | |
| 523 | 24 | PV | D08030J | 2 | | 73-21-11 | TB0182X | C027 | BJ | L2 | 2 | | | |

286T1078-211
Wire Bundle Assembly
Figure 104 (Sheet 6)

25-71-01



BOEING
COMPONENT
MAINTENANCE MANUAL

| WIRE | | | FROM EQUIPMENT | | | TO EQUIPMENT | | | WIRE INFO | | | | |
|--------|----|-----|----------------|------|----|--------------|---------|------|-----------|---------|----|-------|-------------|
| NUMBER | GA | TYP | NUMBER | TERM | TT | WDM REF | NUMBER | TERM | TT | EMC/SEP | FT | NOTES | EFFECTIVITY |
| 523Z | | | D08030J | | | 73-21-11 | TB0182X | D027 | BJ | L2 | | | |
| 524 | 24 | PK | D04978J | 8 | | 21-58-12 | TB0182X | A028 | BJ | L2 | 2 | | |
| 525 | 24 | PK | D04978J | 14 | | 21-58-12 | TB0182X | B028 | BJ | L2 | 2 | | |
| 526 | 24 | PK | D04978J | 37 | | 21-58-12 | TB0182X | C028 | BJ | L2 | 2 | | |
| 527 | 24 | PK | D03742 | 12 | | 21-58-14 | TB0158G | 27 | 2 | L2 | 3 | | |
| 532 | 24 | PK | D04978J | 48 | | 21-58-12 | TB0182X | D028 | BJ | L2 | 2 | | |
| 535 | 24 | PV | D08030J | 7 | | 73-21-17 | TB0248Z | 7 | BJ | L2 | 3 | | |
| 535Z | | | D08030J | 8 | | 73-21-17 | TB0248Z | 8 | BJ | L2 | | | |
| 544JA | 24 | PV | TB0248Y | A013 | BJ | 73-21-17 | TB0248Z | 7 | BJ | L2 | 2 | | |
| 544Z | | | TB0248Y | C014 | BJ | 73-21-17 | TB0248Z | 8 | BJ | L2 | | | |
| 556 | 24 | PK | D08068J | 22 | | 36-23-11 | D05209J | 22 | | L2 | 3 | | |
| 557 | 24 | PK | D08068J | 23 | | 36-23-11 | D05209J | 23 | | L2 | 3 | | |
| 600 | 22 | PA | D02672 | 44 | | 27-41-11 | D05277J | 15 | | L2 | 3 | | |
| 601 | 24 | PK | D08112J | 30 | | SPARE | TB0182X | A015 | BJ | L2 | 3 | | |
| 603 | 24 | PK | D08030J | 30 | | 73-21-11 | TB0182X | B015 | BJ | L2 | 3 | | |
| 604 | 24 | PK | D08030J | 35 | | 73-21-11 | TB0182X | C015 | BJ | L2 | 3 | | |
| 605 | 24 | PK | D08030J | 45 | | 73-21-11 | TB0182X | D015 | BJ | L2 | 3 | | |
| 606 | 24 | PK | D02160 | 12 | | 73-21-11 | D08030J | 28 | | L2 | 4 | | |
| 607 | 22 | PQ | D02160 | 9 | | 73-21-11 | D04978J | 36 | | L2 | 4 | | |
| 607F | 20 | UA | D02160 | | | 73-21-11 | GDX0004 | S.. | 2 | L2 | 4 | | |
| 607Z | | | D02160 | | | 73-21-11 | D04978J | 35 | | L2 | | | |
| 608 | 22 | PA | D02160 | 16 | | 73-21-11 | GDX0004 | D.. | 2 | L2 | 4 | | |
| 609 | 24 | PV | D08030J | 9 | | 73-21-17 | TB0248Z | 7 | BJ | L2 | 3 | | |
| 609Z | | | D08030J | 13 | | 73-21-17 | TB0248Z | 8 | BJ | L2 | | | |
| 610 | 22 | PA | D02160 | 38 | | 73-21-11 | D08030J | 1 | | L2 | 4 | | |
| 611 | 22 | PA | D02160 | 5 | | 73-21-11 | D08030J | 44 | | L2 | 4 | | |
| 612 | 24 | PK | D02160 | 49 | | SPARE | D08112J | 31 | | L2 | 4 | | |
| 613 | 24 | PK | D02160 | 18 | | 73-21-11 | D08030J | 5 | | L2 | 4 | | |
| 614 | 24 | PK | D02160 | 10 | | 73-21-11 | D08030J | 10 | | L2 | 4 | | |
| 615 | 24 | PK | D02160 | 15 | | 73-21-11 | D08030J | 12 | | L2 | 4 | | |
| 616 | 24 | PV | D02160 | 52 | | 73-21-11 | D08030J | 50 | | L2 | 4 | | |
| 616F | 20 | UA | D02160 | | | 73-21-11 | GDX0004 | S.. | 2 | L2 | 4 | | |
| 616Z | | | D02160 | | | 73-21-11 | D08030J | 51 | | L2 | | | |

286T1078-211
Wire Bundle Assembly
Figure 104 (Sheet 7)

25-71-01

| WIRE | | | FROM EQUIPMENT | | | TO EQUIPMENT | | | WIRE INFO | | | | |
|--------|----|-----|----------------|------|----|--------------|---------|------|-----------|---------|----|-------|-------------|
| NUMBER | GA | TYP | NUMBER | TERM | TT | WDM REF | NUMBER | TERM | TT | EMC/SEP | FT | NOTES | EFFECTIVITY |
| 617 | 24 | PK | D08068J | 42 | | 36-11-51 | TB0158Y | A006 | BJ | L2 | 3 | | |
| 700 | 24 | PK | D05209J | 18 | | 31-31-21 | D02672 | 14 | | L2 | 4 | | |
| 707 | 22 | PA | SM00009 | | W | 21-51-11 | D04978J | 34 | | L2 | 2 | | |
| 708 | 24 | PK | D08112J | 19 | | 21-51-21 | TB0158Y | C009 | BJ | L2 | 3 | | |
| 709 | 24 | PK | D08112J | 20 | | 21-51-21 | TB0182Y | C001 | BJ | L2 | 3 | | |
| 712 | 24 | PK | D08112J | 16 | | 21-51-11 | SM00009 | | W | L2 | 2 | | |
| 713 | 24 | PK | D08112J | 17 | | 21-51-11 | TB0158Y | C005 | BJ | L2 | 3 | | |
| 718 | 24 | PK | D03742 | 25 | | 21-25-11 | D04978J | 12 | | L2 | 3 | | |
| 720 | 24 | PK | D08112J | 32 | | 21-58-11 | TB0182Y | A001 | BJ | L2 | 3 | | |
| 721 | 24 | PK | D05209J | 19 | | 31-31-21 | D02672 | 16 | | L2 | 4 | | |
| 722 | 24 | PK | D08112J | 1 | | 21-58-14 | D03742 | 37 | | L2 | 3 | | |
| 724 | 24 | PK | D08112J | 3 | | 21-58-15 | TB0248X | A012 | BJ | L2 | 3 | | |
| 725 | 24 | PK | D03742 | 2 | | 21-25-11 | TB0248D | A019 | 2 | L2 | 3 | | |
| 726 | 24 | PK | TB0248Y | C010 | BJ | 21-25-11 | TB0248D | C019 | 2 | L2 | 2 | | |
| 727 | 24 | PK | TB0248Y | C010 | BJ | 21-25-11 | D04978J | 7 | | L2 | 3 | | |
| 728 | 24 | PK | TB0248X | C011 | BJ | 21-26-11 | D08112J | 12 | | L2 | 3 | | |
| 749 | 24 | PK | D04978J | 26 | | 21-58-11 | TB0248X | A001 | BJ | L2 | 4 | | |
| 763 | 24 | FV | TB0182Y | A007 | BJ | 73-21-11 | D04978J | 41 | | L2 | 3 | | |
| 763Z | | | TB0182Y | C007 | BJ | 73-21-11 | D04978J | 40 | | L2 | 3 | | |
| 764 | 24 | FV | D08030J | 46 | | 73-21-11 | TB0248Z | 7 | BJ | L2 | 3 | | |
| 764Z | | | D08030J | | | 73-21-11 | TB0248Z | 8 | BJ | L2 | 3 | | |
| 766 | 24 | PK | D08030J | 11 | | 27-51-31 | TB0158X | A023 | BJ | L2 | 3 | | |
| 767 | 24 | PK | D08030J | 42 | | 27-58-31 | D02672 | 52 | | L2 | 4 | | |
| 778 | 24 | PK | D02160 | 27 | | 73-21-15 | TB0248X | C012 | BJ | L2 | 4 | | |
| 779 | 22 | PA | D08030J | 43 | | 73-21-19 | TB0248D | C022 | 2 | L2 | 2 | | |
| 780 | 22 | PA | D08030J | 17 | | 73-21-19 | TB0248D | A022 | 2 | L2 | 2 | | |
| 901 | 24 | PK | D08112J | 18 | | 21-58-11 | TB0182X | B011 | BJ | L2 | 3 | | |

286T1078-211
Wire Bundle Assembly
Figure 104 (Sheet 8)

25-71-01

TESTING & FAULT ISOLATION
01 Page 114V
Nov 01/02



BOEING
COMPONENT
MAINTENANCE MANUAL

| WIRE | | | FROM EQUIPMENT | | | | TO EQUIPMENT | | | | WIRE INFO | | | |
|--------|----|-----|----------------|------|----|----------|--------------|------|----|---------|-----------|--------|--|--|
| NUMBER | GA | TYP | NUMBER | TERM | TT | WDM REF | NUMBER | TERM | TT | EMC/SEP | FT | NOTES | EFFECTIVITY | |
| FRA | | | D08030J | 48 | | 73-21-11 | D08030J | | | L2 | | | | |
| FRI | | | D04978J | 54 | | 73-21-17 | D04978J | | | L2 | | | | |
| PA1 | | | D03742 | 26 | | 21-25-11 | D03742 | 34 | | L2 | | DAW-B2 | | |
| PB1 | | | D01884 | 25 | | 21-51-11 | D01884 | 35 | | L2 | | DAW-B2 | | |
| PC1 | | | D03738 | 22 | | 21-53-22 | D03738 | 38 | | L2 | | DAW-B2 | | |
| PE1 | | | D02672 | 47 | | 27-58-21 | D02672 | 64 | | L2 | | DAW-B2 | | |
| PF1 | | | D02160 | 11 | | 73-21-15 | D02160 | 20 | | L2 | | DAW-B2 | | |
| S03 | | SL | D01884 | | | | | | | R2 | 2 | ISL-F2 | | |
| S29 | | SL | D08112J | | | | | | | R2 | 1 | ISL-F2 | | |
| S34 | | SY | D02160 | | | | | | | R2 | 2 | ISY-F2 | | |
| S65 | | SL | D08030J | | | | | | | R2 | 1 | ISL-F2 | | |
| 1 | 24 | PK | D01884 | 19 | | 21-51-11 | D04978J | 6 | | L2 | 3 | | | |
| 2 | 22 | PA | D01884 | 21 | | 21-51-11 | GDX001 | D.. | 2 | L2 | 3 | | | |
| 4 | 24 | PK | D01884 | 14 | | 21-51-11 | D04978J | 19 | | L2 | 3 | | | |
| 5 | 24 | PK | D01884 | 8 | | 21-51-11 | D04978J | 18 | | L2 | 3 | | | |
| 6 | 24 | PK | D01884 | 7 | | 21-51-11 | D04978J | 17 | | L2 | 3 | | | |
| 7 | 24 | PK | D01884 | 36 | | 21-51-11 | TB0158Y | A002 | BJ | L2 | 4 | | | |
| 8 | 24 | PK | D01884 | 15 | | 21-51-21 | TB0158Y | C002 | BJ | L2 | 4 | | | |
| 9 | 24 | PK | D01884 | 17 | | 21-51-11 | D04978J | 15 | | L2 | 3 | | | |
| 10 | 24 | PK | D05209J | 12 | | 31-51-42 | TB0182D | A019 | 2 | L2 | 3 | | | |
| 12 | 24 | PK | D01884 | 3 | | 21-51-11 | TB0158Y | A006 | BJ | L2 | 4 | | | |
| 13 | 24 | PK | TB0182X | A011 | BJ | 73-21-17 | D02160 | 42 | | L2 | 4 | | | |
| 14 | 24 | PK | D01884 | 4 | | 21-51-11 | TB0158Y | C006 | BJ | L2 | 4 | | | |
| 15 | 24 | PK | D01884 | 5 | | 21-51-11 | TB0158Y | A005 | BJ | L2 | 4 | | | |
| 16 | 24 | PK | D01884 | 22 | | 21-51-11 | D04978J | 20 | | L2 | 3 | | | |
| 17 | 24 | PK | D01884 | 1 | | 21-51-11 | D04978J | 21 | | L2 | 3 | | | |
| 18 | 24 | PK | D01884 | 27 | | 21-51-11 | TB0182D | A023 | 2 | L2 | 4 | | VN118-VN124, VN130-VN132 | |
| 18 | 24 | PK | D01884 | 27 | | 21-51-11 | TB0182F | A023 | 2 | L2 | 4 | | VN125-VN129, VN133-VN150, VN821-VN920, VS246-VS248 | |
| 19 | 24 | PK | D01884 | 6 | | 21-51-11 | TB0158X | B023 | BJ | L2 | 4 | | | |
| 20 | 22 | PA | D01884 | 28 | | 21-51-11 | SM00009 | | W | L2 | 3 | | | |
| 21 | 24 | PK | D01884 | 31 | | 21-25-11 | D04978J | 5 | | L2 | 3 | | | |
| 22 | 24 | PK | D01884 | 9 | | 21-53-11 | D04978J | 24 | | L2 | 3 | | | |

286T1078-212
Wire Bundle Assembly
Figure 105 (Sheet 1)

25-71-01

| WIRE | | FROM EQUIPMENT | | | TO EQUIPMENT | | | WIRE INFO | | | | | |
|--------|----|----------------|---------|------|--------------|----------|---------|-----------|----|---------|----|-------|-------------|
| NUMBER | GA | TYP | NUMBER | TERM | TT | WDM REF | NUMBER | TERM | TT | EMC/SEP | FT | NOTES | EFFECTIVITY |
| 23 | 24 | PK | D01884 | 26 | | 21-53-12 | TB0158F | A012 | 2 | R2 | 4 | | |
| 25 | 24 | PK | D01884 | 2 | | 21-51-11 | D08068J | 20 | | L2 | 3 | | |
| 26 | 24 | PK | D01884 | 32 | | 73-21-15 | TB0248X | D012 | BJ | L2 | 4 | | |
| 27 | 24 | PK | D02160 | 25 | | 73-21-15 | D01884 | 18 | | L2 | 3 | | |
| 28 | 22 | PA | D01884 | 10 | | 21-51-11 | TB0158Y | C005 | BJ | L2 | 4 | | |
| 29 | 24 | PK | D02160 | 24 | | 73-21-15 | TB0158Y | C008 | BJ | L2 | 4 | | |
| 30 | 24 | PK | D01884 | 12 | | 21-51-11 | TB0158Y | A009 | BJ | L2 | 4 | | |
| 31 | 24 | PK | TB0158Y | A002 | BJ | 21-51-11 | D04978J | 16 | | L2 | 4 | | |
| 32 | 24 | PK | TB0158Y | A009 | BJ | 21-51-11 | D08112J | 15 | | L2 | 3 | | |
| 34 | 24 | PK | TB0158Y | A006 | BJ | 21-51-11 | D04978J | 10 | | L2 | 4 | | |
| 35 | 24 | PK | D08068J | 48 | | 21-51-11 | TB0158Y | C006 | BJ | L2 | 3 | | |
| 36 | 22 | PA | SM00009 | | W | 21-51-11 | D04978J | 23 | | L2 | 2 | | |
| 38 | 24 | PK | D03738 | 24 | | 21-51-23 | D08068J | 45 | | L2 | 3 | | |
| 39 | 22 | PA | TB0158Y | C005 | BJ | 21-51-11 | D04978J | 22 | | L2 | 3 | | |
| 40 | 24 | PK | D03742 | 1 | | 21-25-11 | D04978J | 2 | | L2 | 3 | | |
| 41 | 22 | PA | D03742 | 3 | | 21-25-11 | GDX0001 | D.. | 2 | L2 | 3 | | |
| 42 | 24 | PK | D03742 | 24 | | 21-25-11 | D04978J | 1 | | L2 | 3 | | |
| 43 | 22 | PA | D03742 | 4 | | 21-25-11 | GDX0001 | D.. | 2 | L2 | 3 | | |
| 44 | 24 | PK | D03742 | 22 | | 21-25-11 | D04978J | 3 | | L2 | 3 | | |
| 45 | 24 | PK | D03742 | 23 | | 21-25-11 | D04978J | 4 | | L2 | 3 | | |
| 46 | 24 | PK | D03742 | 7 | | 21-26-11 | D08068J | 50 | | L2 | 3 | | |
| 47 | 22 | PA | D03742 | 9 | | 21-26-11 | GDX0001 | D.. | 2 | L2 | 3 | | |
| 48 | 24 | PK | D03742 | 28 | | 21-26-11 | D08068J | 15 | | L2 | 3 | | |
| 49 | 24 | PK | D03742 | 8 | | 21-26-11 | D08068J | 18 | | L2 | 3 | | |
| 50 | 24 | PK | D03742 | 6 | | 21-26-11 | D08068J | 16 | | L2 | 3 | | |
| 51 | 24 | PK | D03742 | 27 | | 21-26-11 | D08068J | 19 | | L2 | 3 | | |
| 52 | 24 | PK | D03742 | 36 | | 21-26-11 | TB0158F | A017 | 2 | L2 | 4 | | |
| 53 | 24 | PK | D03742 | 13 | | 21-58-14 | D08112J | 33 | | L2 | 4 | | |
| 54 | 22 | PA | D03742 | 15 | | 21-58-14 | GDX0001 | D.. | 2 | L2 | 3 | | |
| 55 | 24 | PK | TB0158G | 27 | 2 | 21-58-14 | D08068J | 46 | | L2 | 2 | | |
| 56 | 24 | PK | D03742 | 33 | | 21-58-14 | D08112J | 10 | | L2 | 3 | | |
| 57 | 24 | PK | D03742 | 11 | | 21-58-14 | D08112J | 8 | | L2 | 3 | | |
| 58 | 24 | PK | D03742 | 32 | | 21-58-14 | D08112J | 11 | | L2 | 3 | | |

286T1078-212
Wire Bundle Assembly
Figure 105 (Sheet 2)

25-71-01



BOEING
COMPONENT
MAINTENANCE MANUAL

| WIRE | | | FROM EQUIPMENT | | | | TO EQUIPMENT | | | | WIRE INFO | | | |
|--------|----|-----|----------------|------|----|----------|--------------|------|----|---------|-----------|-------|-------------|--|
| NUMBER | GA | TYP | NUMBER | TERM | TT | WDM REF | NUMBER | TERM | TT | EMC/SEP | FT | NOTES | EFFECTIVITY | |
| 59 | 24 | PK | D03742 | 14 | | 21-58-14 | TB0158F | C017 | 2 | L2 | 4 | | | |
| 62 | 24 | PK | D03742 | 35 | | 21-26-11 | D08112J | 13 | | L2 | 3 | | | |
| 63 | 24 | PK | TB0158F | C020 | 2 | 21-58-14 | D03742 | 38 | | L2 | 4 | | | |
| 64 | 24 | PK | D03738 | 19 | | 21-53-22 | D04978J | 30 | | L2 | 3 | | | |
| 65 | 22 | PA | D03738 | 21 | | 21-53-22 | GDX0001 | D.. | 2 | L2 | 3 | | | |
| 66 | 24 | PK | D03738 | 6 | | 21-53-22 | D04978J | 25 | | L2 | 3 | | | |
| 67 | 24 | PK | D03738 | 3 | | 21-53-22 | TB0182X | C011 | BJ | L2 | 4 | | | |
| 68 | 24 | PK | D03738 | 37 | | 21-53-22 | D04978J | 27 | | L2 | 3 | | | |
| 69 | 24 | PK | D03738 | 36 | | 21-53-22 | D04978J | 28 | | L2 | 3 | | | |
| 70 | 24 | PK | D03738 | 35 | | 21-53-22 | D04978J | 29 | | L2 | 3 | | | |
| 71 | 24 | PK | D03738 | 8 | | 21-53-22 | TB0158F | C012 | 2 | L2 | 4 | | | |
| 72 | 24 | PK | D03738 | 4 | | 21-53-22 | D08068J | 12 | | L2 | 3 | | | |
| 73 | 24 | PK | D03738 | 10 | | 21-53-22 | D08068J | 13 | | L2 | 3 | | | |
| 74 | 24 | PK | D03738 | 7 | | 21-53-22 | D08068J | 10 | | L2 | 3 | | | |
| 75 | 24 | PK | D03738 | 11 | | 21-53-22 | D08068J | 11 | | L2 | 3 | | | |
| 76 | 24 | PK | D03738 | 12 | | 21-53-22 | D08068J | 8 | | L2 | 3 | | | |
| 77 | 24 | PK | D03738 | 9 | | 21-53-22 | D08068J | 9 | | L2 | 3 | | | |
| 78 | 24 | PK | D03738 | 16 | | 21-53-22 | D08068J | 6 | | L2 | 3 | | | |
| 79 | 24 | PK | D03738 | 14 | | 21-53-22 | D08068J | 5 | | L2 | 3 | | | |
| 80 | 24 | PK | D03738 | 15 | | 21-53-22 | D08068J | 4 | | L2 | 3 | | | |
| 81 | 24 | PK | D03738 | 13 | | 21-53-22 | D08068J | 3 | | L2 | 3 | | | |
| 82 | 24 | PK | D03738 | 18 | | 21-53-22 | D08068J | 2 | | L2 | 3 | | | |
| 83 | 24 | PK | D03738 | 17 | | 21-53-22 | D08068J | 1 | | L2 | 3 | | | |
| 84 | 24 | PK | D03738 | 5 | | 21-53-22 | D08068J | 7 | | L2 | 3 | | | |
| 88 | 24 | PK | D08030J | 3 | | 73-21-18 | TB0182X | B016 | BJ | L2 | 3 | | | |
| 89 | 24 | PK | D08030J | 47 | | 73-21-18 | TB0182Y | A008 | BJ | L2 | 3 | | | |
| 90 | 24 | PK | D08068J | 55 | | 21-51-11 | TB0158Y | A005 | BJ | L2 | 3 | | | |
| 108 | 22 | PA | TB0182Y | A002 | BJ | 21-58-11 | D08112J | 34 | | R2 | 2 | | | |
| 109 | 24 | PV | TB0248Y | A013 | BJ | 73-21-17 | D04978J | 32 | | L2 | 3 | | | |
| 109F | 20 | UA | GDX0001 | S.. | 2 | 73-21-17 | D04978J | | | L2 | 2 | | | |
| 109Z | | | TB0248Y | C014 | BJ | 73-21-17 | D04978J | | | L2 | | | | |
| 110 | 24 | PK | D08068J | 47 | | 28-22-12 | TB0248X | D001 | BJ | L2 | 3 | | | |
| 111 | 22 | PA | D02672 | 26 | | 22-24-11 | D05277J | 1 | | L2 | 3 | | | |

286T1078-212
Wire Bundle Assembly
Figure 105 (Sheet 3)

25-71-01

| WIRE | | FROM EQUIPMENT | | | TO EQUIPMENT | | | WIRE INFO | | | | | |
|--------|----|----------------|---------|------|--------------|----------|---------|-----------|----|---------|----|-------|-------------|
| NUMBER | GA | TYP | NUMBER | TERM | TT | WDM REF | NUMBER | TERM | TT | EMC/SEP | FT | NOTES | EFFECTIVITY |
| 112 | 24 | PK | D02672 | 22 | | 22-12-11 | D05277J | 22 | | L2 | 3 | | |
| 113 | 24 | PK | D02672 | 23 | | 22-12-11 | D05277J | 23 | | L2 | 3 | | |
| 115 | 22 | PA | D02672 | 8 | | 27-58-21 | GDX0001 | A.. | 2 | L2 | 4 | | |
| 116 | 24 | PK | D03742 | 29 | | 21-26-11 | TB0158F | A020 | 2 | L2 | 3 | | |
| 117 | 24 | PK | D02672 | 7 | | 27-58-21 | D08030J | 29 | | L2 | 3 | | |
| 120 | 24 | PK | D02672 | 38 | | 22-12-11 | D05277J | 24 | | L2 | 3 | | |
| 121 | 24 | PK | D02672 | 39 | | 22-12-11 | D05277J | 25 | | L2 | 3 | | |
| 122 | 22 | PA | D02672 | 28 | | 73-21-19 | D08030J | 32 | | L2 | 3 | | |
| 123 | 24 | PK | D02160 | 19 | | 73-21-19 | TB0248D | C022 | 2 | L2 | 3 | | |
| 124 | 24 | PV | TB0248Y | A013 | BJ | 73-21-19 | D08030J | 15 | | L2 | 3 | | |
| 124Z | | | D08030J | 27 | | 73-21-19 | TB0248Y | C014 | BJ | L2 | | | |
| 125 | 22 | PA | D02160 | 2 | | 73-21-19 | D08030J | 14 | | R2 | 3 | | |
| 126 | 22 | PA | D02160 | 35 | | 73-21-19 | D08030J | 31 | | L2 | 3 | | |
| 127 | 22 | PA | D02160 | 64 | | 73-21-17 | GDX0001 | D.. | 2 | L2 | 4 | | |
| 130 | 24 | PK | D02160 | 62 | | 22-32-13 | D05277J | 11 | | L2 | 3 | | |
| 132 | 20 | UA | D02160 | | | 73-21-17 | GDX0001 | S.. | 2 | L2 | 4 | | |
| 133 | 24 | PV | D02160 | 8 | | 73-21-12 | D08030J | 6 | | L2 | 3 | | |
| 133Z | | | D02160 | | | 73-21-12 | D08030J | 39 | | L2 | | | |
| 134 | 24 | PK | D02160 | 7 | | 73-21-12 | D08030J | 33 | | L2 | 3 | | |
| 135 | 24 | PK | D05209J | 20 | | 31-51-42 | TB0182D | A026 | 2 | L2 | 3 | | |
| 140 | 24 | PK | D02160 | 61 | | 73-21-17 | D08030J | 36 | | L2 | 3 | | |
| 141 | 24 | PK | D02160 | 54 | | 73-21-16 | D08030J | 34 | | L2 | 3 | | |
| 143 | 24 | PK | D02160 | 53 | | 22-32-13 | D05277J | 8 | | L2 | 3 | | |
| 144 | 24 | PK | D02160 | 32 | | 73-21-17 | TB0182X | D012 | BJ | R2 | 4 | | |
| 145 | 24 | PK | D02160 | 30 | | 22-32-13 | D05277J | 10 | | L2 | 3 | | |
| 146 | 24 | PK | TB0182X | C012 | BJ | 73-21-17 | D08030J | 37 | | R2 | 3 | | |
| 156 | 24 | PK | D08068J | 51 | | 30-31-11 | TB0248Y | C013 | BJ | L2 | 3 | | |
| 157 | 24 | PK | D08068J | 17 | | 36-11-51 | TB0248X | B002 | BJ | L2 | 3 | | |
| 158 | 24 | PK | D08068J | 52 | | 30-34-11 | TB0248X | C002 | BJ | L2 | 3 | | |
| 160 | 24 | PK | D08030J | 16 | | 73-21-17 | TB0182X | A011 | BJ | L2 | 3 | | |
| 161 | 24 | PK | D08112J | 22 | | 73-21-18 | TB0182X | D011 | BJ | L2 | 3 | | |
| 163 | 24 | PV | D02160 | 6 | | 73-21-17 | TB0248Z | 7 | BJ | L2 | 4 | | |
| 163Z | | | D02160 | | | 73-21-17 | TB0248Z | 8 | BJ | L2 | | | |

286T1078-212
Wire Bundle Assembly
Figure 105 (Sheet 4)

25-71-01



BOEING
COMPONENT
MAINTENANCE MANUAL

| WIRE | | FROM EQUIPMENT | | | TO EQUIPMENT | | | WIRE J | | | | | |
|--------|----|----------------|---------|------|--------------|----------|---------|--------|----|---------|----|-------|----------|
| NUMBER | GA | TYP | NUMBER | TERM | TT | WDM REF | NUMBER | TERM | TT | EMC/SEP | FT | NOTES | ACTIVITY |
| 165 | 24 | PK | D02160 | 23 | | 22-32-13 | D05277J | 9 | | L2 | 3 | | |
| 167 | 24 | PK | D02160 | 59 | | 73-21-15 | TB0182Y | C005 | BJ | R2 | 4 | | |
| 168 | 24 | PK | D02160 | 26 | | 22-32-13 | D05277J | 12 | | L2 | 3 | | |
| 169 | 24 | PK | D02160 | 65 | | 73-21-15 | TB0182Y | A006 | BJ | L2 | 4 | | |
| 170 | 24 | PK | D02160 | 66 | | 73-21-15 | TB0182Y | A003 | BJ | L2 | 4 | | |
| 178 | 24 | PK | D02160 | 57 | | 34-61-13 | TB0182Y | A005 | BJ | L2 | 4 | | |
| 179 | 24 | PK | D02160 | 55 | | 34-61-13 | TB0182Y | A004 | BJ | L2 | 4 | | |
| 180 | 24 | PK | D02160 | 29 | | 34-61-13 | TB0182Y | A009 | BJ | L2 | 4 | | |
| 181 | 24 | PK | D02160 | 1 | | 34-61-13 | TB0182Y | C009 | BJ | L2 | 4 | | |
| 182 | 24 | PK | D02160 | 21 | | 34-61-13 | TB0182Y | A010 | BJ | L2 | 4 | | |
| 184 | 24 | PV | TB0158Y | A001 | BJ | 34-61-13 | D05209J | 1 | | R2 | 4 | | |
| 184Z | | | TB0158Y | DED | | 34-61-13 | D05209J | DED | | L2 | | | |
| 185 | 24 | PV | TB0158Y | C022 | BJ | 34-61-13 | D05209J | 2 | | R2 | 3 | | |
| 185Z | | | TB0158Y | DED | | 34-61-13 | D05209J | DED | | L2 | | | |
| 186 | 24 | PV | TB0158Y | A021 | BJ | 34-61-13 | D05209J | 3 | | R2 | 3 | | |
| 186Z | | | TB0158Y | DED | | 34-61-13 | D05209J | DED | | R2 | | | |
| 187 | 24 | PV | TB0158Y | C021 | BJ | 34-61-13 | D05209J | 4 | | R2 | 3 | | |
| 187Z | | | TB0158Y | DED | | 34-61-13 | D05209J | DED | | L2 | | | |
| 188 | 24 | PV | TB0158Y | A022 | BJ | 34-61-13 | D05209J | 5 | | R2 | 3 | | |
| 188Z | | | TB0158Y | DED | | 34-61-13 | D05209J | DED | | L2 | | | |
| 189 | 24 | PK | TB0182Y | A005 | BJ | 34-61-13 | D05209J | 6 | | L2 | 3 | | |
| 190 | 24 | PK | TB0182Y | A004 | BJ | 34-61-13 | D05209J | 7 | | L2 | 3 | | |
| 191 | 24 | PK | TB0182Y | A009 | BJ | 34-61-13 | D05209J | 8 | | L2 | 3 | | |
| 192 | 24 | PK | TB0182Y | C009 | BJ | 34-61-13 | D05209J | 9 | | L2 | 3 | | |
| 193 | 24 | PK | TB0182Y | A010 | BJ | 34-61-13 | D05209J | 10 | | L2 | 3 | | |
| 194 | 24 | PK | D02672 | 29 | | 27-58-21 | TB0248D | C017 | 2 | L2 | 4 | | |
| 197 | 22 | PA | D02672 | 43 | | 27-58-21 | GDX0001 | D.. | 2 | L2 | 3 | | |
| 198 | 22 | PA | TB0248D | A018 | 2 | 27-61-11 | D05277J | 16 | | L2 | 3 | | |
| 201B | 24 | PL | D02672 | 18 | | 27-58-31 | D08030J | 20 | | L2 | 3 | | |
| 201R | 24 | PL | D02672 | 17 | | 27-58-31 | D08030J | 21 | | L2 | | | |
| 202B | 24 | PL | D02672 | 21 | | 22-32-13 | D05277J | 21 | | L2 | 3 | | |
| 202R | 24 | PL | D02672 | 19 | | 22-32-13 | D05277J | 20 | | L2 | | | |
| 203B | 24 | PL | D02672 | 9 | | 27-58-21 | D08030J | 22 | | L2 | 3 | | |

286T1078-212
Wire Bundle Assembly
Figure 105 (Sheet 5)

25-71-01

TESTING & FAULT ISOLATION
01 Page 115

Nov 01/02

| WIRE | | FROM EQUIPMENT | | | | TO EQUIPMENT | | | | WIRE INFO | | | | |
|--------|----|----------------|---------|------|----|--------------|-----|---------|------|-----------|-------------|----|-------|--|
| NUMBER | GA | TYP | NUMBER | TERM | TT | WDM | REF | NUMBER | TERM | TT | EMC/ SEP | FT | NOTES | EFFECTIVITY |
| 203R | 24 | PL | D02672 | 10 | | 27-58-21 | | D08030J | 23 | | L2 | 3 | | |
| 204B | 22 | PB | D02672 | 41 | | 27-41-11 | | D05277J | 5 | | L2 | 3 | | |
| 204R | 22 | PB | D02672 | 40 | | 27-41-11 | | D05277J | 4 | | L2 | 3 | | |
| 207B | 24 | PL | TB0158F | A019 | 2 | 27-51-31 | | D08030J | 18 | | L2 | 3 | | |
| 207R | 24 | PL | TB0158F | C019 | 2 | 27-51-31 | | D08030J | 19 | | L2 | 3 | | |
| 208B | 24 | PL | D02672 | 35 | | 27-58-21 | | D05277J | 32 | | L2 | 3 | | |
| 208R | 24 | PL | D02672 | 31 | | 27-58-21 | | D05277J | 33 | | L2 | 3 | | |
| 211B | 24 | PW | D08068J | 25 | | 77-12-13 | | TB0182X | C018 | BJ | L2 | 3 | | |
| 211R | 24 | PW | D08068J | 24 | | 77-12-13 | | TB0182X | B018 | BJ | L2 | 3 | | |
| 211Z | | | D08068J | 26 | | 77-12-13 | | TB0182X | A018 | BJ | L2 | 3 | | |
| 240B | 24 | PW | D05277J | 3 | | 36-11-61 | | D08068J | 33 | | L2 | 3 | | |
| 240R | 24 | PW | D05277J | 2 | | 36-11-61 | | D08068J | 32 | | L2 | 3 | | |
| 240Z | | | D05277J | 6 | | 36-11-61 | | D08068J | 31 | | L2 | 3 | | |
| 250B | 24 | PW | D04978J | 47 | | 77-12-13 | | TB0182X | C017 | BJ | L2 | 3 | | |
| 250R | 24 | PW | D04978J | 46 | | 77-12-13 | | TB0182X | B017 | BJ | L2 | 3 | | |
| 250Z | | | D04978J | 45 | | 77-12-13 | | TB0182X | A017 | BJ | L2 | 3 | | |
| 254 | 22 | PA | TB0182Y | A002 | BJ | 21-23-11 | | D04978J | 50 | | L2 | 4 | | VN125-VN129, VN133-VN150, VN821-VN920, VS246-VS248 |
| 255 | 22 | PA | TB0158Y | C005 | BJ | 21-23-11 | | D04978J | 51 | | L2 | 4 | | VN125-VN129, VN133-VN150, VN821-VN920, VS246-VS248 |
| 301B | 24 | PM | D02672 | 12 | | 27-58-21 | | D08030J | 24 | | L2 | 3 | | |
| 301R | 24 | PM | D02672 | 13 | | 27-58-21 | | D08030J | 25 | | L2 | 3 | | |
| 301Y | 24 | PM | D02672 | 11 | | 27-58-21 | | D08030J | 26 | | L2 | 3 | | |
| 302B | 24 | PM | D02672 | 32 | | 27-58-21 | | D05277J | 29 | | L2 | 3 | | |
| 302R | 24 | PM | D02672 | 33 | | 27-58-21 | | D05277J | 30 | | L2 | 3 | | |
| 302Y | 24 | PM | D02672 | 34 | | 27-58-21 | | D05277J | 31 | | L2 | 3 | | |
| 500 | 24 | PK | D01884 | 37 | | 21-51-11 | | TB0158Y | C010 | BJ | L2 | 4 | | |
| 501 | 24 | PK | D01884 | 38 | | 21-51-11 | | D04978J | 9 | | L2 | 3 | | |
| 502 | 24 | PK | D01884 | 16 | | 21-51-11 | | TB0158Y | A010 | BJ | L2 | 4 | | |
| 503 | 24 | PK | D08068J | 38 | | 21-51-11 | | TB0158Y | C010 | BJ | L2 | 3 | | |
| 505 | 24 | PK | D02160 | 33 | | 73-21-15 | | TB0158G | 26 | 2 | L2 | 4 | | |
| 506 | 24 | PK | TB0158G | 26 | 2 | 34-61-13 | | D05209J | 11 | | L2 | 3 | | |
| 517 | 24 | PK | TB0248X | A002 | BJ | 21-58-11 | | D04978J | 13 | | L2 | 3 | | |

 286T1078-212
 Wire Bundle Assembly
 Figure 105 (Sheet 6)

25-71-01

 TESTING & FAULT ISOLATION
 01

 Page 116
 Nov 01/02



BOEING
COMPONENT
MAINTENANCE MANUAL

| WIRE | | | FROM EQUIPMENT | | | | TO EQUIPMENT | | | | WIRE INFO | | | |
|--------|----|-----|----------------|------|----|----------|--------------|------|----|---------|-----------|-------|-------------|--|
| NUMBER | GA | TYP | NUMBER | TERM | TT | WDM REF | NUMBER | TERM | TT | EMC/SEP | FT | NOTES | EFFECTIVITY | |
| 518 | 24 | PK | D01884 | 30 | | 21-53-12 | TB0182X | B012 | BJ | L2 | 4 | | | |
| 520 | 24 | PK | TB0248D | C017 | 2 | 27-58-21 | TB0248D | C018 | 2 | L2 | 2 | | | |
| 521 | 24 | PK | TB0248D | A017 | 2 | 34-46-12 | D05277J | 28 | | L2 | 3 | | | |
| 523 | 24 | FV | D08030J | 2 | | 73-21-11 | TB0182X | C027 | BJ | L2 | 2 | | | |
| 523Z | | | D08030J | 2 | | 73-21-11 | TB0182X | D027 | BJ | L2 | 2 | | | |
| 524 | 24 | PK | D04978J | 8 | | 21-58-12 | TB0182X | A028 | BJ | L2 | 2 | | | |
| 525 | 24 | PK | D04978J | 14 | | 21-58-12 | TB0182X | B028 | BJ | L2 | 2 | | | |
| 526 | 24 | PK | D04978J | 37 | | 21-58-12 | TB0182X | C028 | BJ | L2 | 2 | | | |
| 527 | 24 | PK | D03742 | 12 | | 21-58-14 | TB0158G | 27 | 2 | L2 | 3 | | | |
| 532 | 24 | PK | D04978J | 48 | | 21-58-12 | TB0182X | D028 | BJ | L2 | 2 | | | |
| 535 | 24 | FV | D08030J | 7 | | 73-21-17 | TB0248Z | 7 | BJ | L2 | 3 | | | |
| 535Z | | | D08030J | 8 | | 73-21-17 | TB0248Z | 8 | BJ | L2 | 2 | | | |
| 544JA | 24 | FV | TB0248Y | A013 | BJ | 73-21-17 | TB0248Z | 7 | BJ | L2 | 2 | | | |
| 544Z | | | TB0248Y | C014 | BJ | 73-21-17 | TB0248Z | 8 | BJ | L2 | 2 | | | |
| 556 | 24 | PK | D08068J | 22 | | 36-23-11 | D05209J | 22 | | L2 | 3 | | | |
| 557 | 24 | PK | D08068J | 23 | | 36-23-11 | D05209J | 23 | | L2 | 3 | | | |
| 558 | 22 | PA | D05209J | 24 | | 34-45-13 | TB0158D | A014 | 2 | L2 | 3 | | | |
| 600 | 22 | PA | D02672 | 44 | | 27-41-11 | D05277J | 15 | | L2 | 3 | | | |
| 601 | 24 | PK | D08112J | 30 | | SPARE | TB0182X | A015 | BJ | L2 | 3 | | | |
| 603 | 24 | PK | D08030J | 30 | | 73-21-11 | TB0182X | B015 | BJ | L2 | 3 | | | |
| 604 | 24 | PK | D08030J | 35 | | 73-21-11 | TB0182X | C015 | BJ | L2 | 3 | | | |
| 605 | 24 | PK | D08030J | 45 | | 73-21-11 | TB0182X | D015 | BJ | L2 | 3 | | | |
| 606 | 24 | PK | D02160 | 12 | | 73-21-11 | D08030J | 28 | | L2 | 4 | | | |
| 607 | 22 | PQ | D02160 | 9 | | 73-21-11 | D04978J | 36 | | L2 | 4 | | | |
| 607F | 20 | UA | D02160 | | | 73-21-11 | GDX0004 | S.. | 2 | L2 | 4 | | | |
| 607Z | | | D02160 | | | 73-21-11 | D04978J | 35 | | L2 | 4 | | | |
| 608 | 22 | PA | D02160 | 16 | | 73-21-11 | GDX0004 | D.. | 2 | L2 | 4 | | | |
| 609 | 24 | PV | D08030J | 9 | | 73-21-17 | TB0248Z | 7 | BJ | L2 | 3 | | | |
| 609Z | | | D08030J | 13 | | 73-21-17 | TB0248Z | 8 | BJ | L2 | 3 | | | |
| 610 | 22 | PA | D02160 | 38 | | 73-21-11 | D08030J | 1 | | L2 | 4 | | | |
| 611 | 22 | PA | D02160 | 5 | | 73-21-11 | D08030J | 44 | | L2 | 4 | | | |
| 612 | 24 | PK | D02160 | 49 | | SPARE | D08112J | 31 | | L2 | 4 | | | |
| 613 | 24 | PK | D02160 | 18 | | 73-21-11 | D08030J | 5 | | L2 | 4 | | | |

VN118-VN119

286T1078-212
Wire Bundle Assembly
Figure 105 (Sheet 7)

25-71-01

| WIRE | | | FROM EQUIPMENT | | | TO EQUIPMENT | | | WIRE INFO | | | | |
|--------|----|-----|----------------|------|----|--------------|---------|------|-----------|---------|----|-------|-------------|
| NUMBER | GA | TYP | NUMBER | TERM | TT | WDM REF | NUMBER | TERM | TT | BMC/SEP | FT | NOTES | EFFECTIVITY |
| 614 | 24 | PK | D02160 | 10 | | 73-21-11 | D08030J | 10 | | L2 | 4 | | |
| 615 | 24 | PK | D02160 | 15 | | 73-21-11 | D08030J | 12 | | L2 | 4 | | |
| 616 | 24 | PV | D02160 | 52 | | 73-21-11 | D08030J | 50 | | L2 | 4 | | |
| 616F | 20 | UA | D02160 | | | 73-21-11 | GDX0004 | S.. | 2 | L2 | 4 | | |
| 616Z | | | D02160 | | | 73-21-11 | D08030J | 51 | | L2 | 4 | | |
| 617 | 24 | PK | D08068J | 42 | | 36-11-51 | TB0158Y | A006 | BJ | L2 | 3 | | |
| 700 | 24 | PK | D05209J | 18 | | 31-31-21 | D02672 | 14 | | L2 | 4 | | |
| 707 | 22 | PA | SM00009 | | W | 21-51-11 | D04978J | 34 | | L2 | 2 | | |
| 708 | 24 | PK | D08112J | 19 | | 21-51-21 | TB0158Y | C009 | BJ | L2 | 3 | | |
| 709 | 24 | PK | D08112J | 20 | | 21-51-21 | TB0182Y | C001 | BJ | L2 | 3 | | |
| 712 | 24 | PK | D08112J | 16 | | 21-51-11 | SM00009 | | W | L2 | 2 | | |
| 713 | 24 | PK | D08112J | 17 | | 21-51-11 | TB0158Y | C005 | BJ | L2 | 3 | | |
| 718 | 24 | PK | D03742 | 25 | | 21-25-11 | D04978J | 12 | | L2 | 3 | | |
| 720 | 24 | PK | D08112J | 32 | | 21-58-11 | TB0182Y | A001 | BJ | L2 | 3 | | |
| 721 | 24 | PK | D05209J | 19 | | 31-31-21 | D02672 | 16 | | L2 | 4 | | |
| 722 | 24 | PK | D08112J | 1 | | 21-58-14 | D03742 | 37 | | L2 | 3 | | |
| 724 | 24 | PK | D08112J | 3 | | 21-58-15 | TB0248X | A012 | BJ | L2 | 3 | | |
| 725 | 24 | PK | D03742 | 2 | | 21-25-11 | TB0248D | A019 | 2 | L2 | 3 | | |
| 726 | 24 | PK | TB0248Y | C010 | BJ | 21-25-11 | TB0248D | C019 | 2 | L2 | 2 | | |
| 727 | 24 | PK | TB0248Y | C010 | BJ | 21-25-11 | D04978J | 7 | | L2 | 3 | | |
| 728 | 24 | PK | TB0248X | C011 | BJ | 21-26-11 | D08112J | 12 | | L2 | 3 | | |
| 749 | 24 | PK | D04978J | 26 | | 21-58-11 | TB0248X | A001 | BJ | L2 | 4 | | |
| 763 | 24 | PV | TB0182Y | A007 | BJ | 73-21-11 | D04978J | 41 | | L2 | 3 | | |
| 763Z | | | TB0182Y | C007 | BJ | 73-21-11 | D04978J | 40 | | L2 | 3 | | |
| 764 | 24 | PV | D08030J | 46 | | 73-21-11 | TB0248Z | 7 | BJ | L2 | 3 | | |
| 764Z | | | D08030J | | | 73-21-11 | TB0248Z | 8 | BJ | L2 | 3 | | |
| 766 | 24 | PK | D08030J | 11 | | 27-51-31 | TB0158X | A023 | BJ | L2 | 3 | | |
| 767 | 24 | PK | D08030J | 42 | | 27-58-31 | D02672 | 52 | | L2 | 4 | | |
| 778 | 24 | PK | D02160 | 27 | | 73-21-15 | TB0248X | C012 | BJ | L2 | 4 | | |
| 779 | 22 | PA | D08030J | 43 | | 73-21-19 | TB0248D | C022 | 2 | L2 | 2 | | |
| 780 | 22 | PA | D08030J | 17 | | 73-21-19 | TB0248D | A022 | 2 | L2 | 2 | | |
| 901 | 24 | PK | D08112J | 18 | | 21-58-11 | TB0182X | B011 | BJ | L2 | 3 | | |

286T1078-212
Wire Bundle Assembly
Figure 105 (Sheet 8)

25-71-01



BOEING
COMPONENT
MAINTENANCE MANUAL

| WIRE | | FROM EQUIPMENT | | | TO EQUIPMENT | | | WIRE INFO | | | |
|--------|--------|----------------|---------|----------|--------------|---------|---------|-----------|-------|---|--|
| NUMBER | GA TYP | NUMBER | TERM TT | WDM REF | NUMBER | TERM TT | EMC/SEP | FT | NOTES | EFFECTIVITY | |
| FRA | | D08030J | 48 | 73-21-11 | D08030J | | L2 | | | VK161-VK170, VL011-VL040, VL796-VL810, VL871-VL880, VN171-VN190, VN211-VN220, VN241-VN290, VN371-VN420, VN531-VN545, VN551-VN633, VS061-VS061, VS066-VS070, | |
| FRB | | D08030J | | 73-21-11 | D08030J | 27 | L2 | | | VK010-VK011, | |
| FRB | | D08030J | 13 | 73-21-17 | D08030J | | L2 | | | VK055-VK080, VK171-VK180, VL931-VL940, VN223-VN230, VN491-VN530, VN681-VN730, VN931-VN950, VN966-VN967, VN971-VN990, VR421-VR421, VR471-VR471, VS091-VS094, VS206-VS207, | |
| FRB | | D08030J | 13 | 73-21-17 | D08030J | | L2 | | | VN221-VN222, | |
| FRD | | D08030J | 13 | 73-21-17 | D08030J | | L2 | | | VK161-VK170, VL011-VL040, VL796-VL810, VN171-VN190, VN211-VN220, VN241-VN290, VN371-VN420, VN531-VN545, VN551-VN633, VS061-VS061, VS066-VS070, | |
| FRF | | D08030J | 13 | 73-21-17 | D08030J | | L2 | | | VN671-VN675, | |
| FRH | | TB0182Y | A017 | 77-12-12 | TB0182Y | REF | L2 | | | VK055-VK080, VK161-VK180, VL796-VL810, VL931-VL940, VN174-VN190, VN213-VN220, VN223-VN230, VN242-VN290, VN371-VN420, VN491-VN545, VN551-VN633, VN671-VN675, VN681-VN730, VN931-VN950, VN966-VN967, VN971-VN990, VR421-VR421, VR471-VR471, VS061-VS061, VS066-VS070, VS091-VS094, VS206-VS207, | |
| FRM | | D08030J | 48 | 73-21-11 | D08030J | | L2 | | | VK055-VK080, VK171-VK180, VL931-VL940, VN221-VN230, VN491-VN530, VN671-VN675, VN681-VN730, VN931-VN950, VN966-VN967, VN971-VN990, VR421-VR421, VR471-VR471, VS091-VS091, VS094, VS206-VS207, | |
| FRY | | TB0248Y | | 73-21-17 | TB0248Y | C014 | L2 | | | VN221-VN222, VN491-VN530, VS091-VS094, | |
| PA1 | | D03742 | 26 | 99-99-99 | D03742 | 34 | L2 | | | DAW-B2 | |

286T1078-300
Wire Bundle Assembly
Figure 106 (Sheet 1)

25-71-01

| WIRE | | FROM EQUIPMENT | | | TO EQUIPMENT | | | WIRE INFO | | |
|--------|--------|----------------|---------|----------|--------------|---------|---------|-----------|--------|---|
| NUMBER | CA TYP | NUMBER | TERM TT | WDM REF | NUMBER | TERM TT | EMC/SEP | FT | NOTES | EFFECTIVITY |
| PB1 | | D01884 | 25 | 99-99-99 | D01884 | 35 | L2 | | DAW-B2 | VK001-VK080, VK1131-VK140, VK161-VK190, VL001-VL040, VL751-VL790, VL796-VL805, VL871-VL880, VL911-VL940, VM001-VM050, VM171-VM190, VM211-VM220, VM231-VM290, VM301-VM340, VM371-VM633, VM681-VM730, VM791-VM810, VM921-VM960, VM967-VM990, VR421-VR461, VR461-VR471, VR471-VR471, VS051-VS052, VS061-VS061, VS066-VS070, VS073-VS073, VS091-VS094, VS131-VS132, VS176-VS177, VS196-VS199, VS206-VS207, VS261-VS262, VS266-VS268, |
| PC1 | | D03738 | 22 | 99-99-99 | D03738 | 38 | L2 | | DAW-B2 | VK001-VK011, VK021-VK054, |
| PD1 | | D01886 | 23 | 36-11-51 | D01886 | 37 | L2 | | DAW-B2 | VK012-VK020, VK055-VK080, VK134-VK140, VK161-VK190, VL007-VL010, VL751-VL790, VL796-VL810, VL891-VL940, VN016-VN050, VN174-VN190, VN213-VN220, VN223-VN230, VN235-VN240, VN242-VN250, VN260-VN290, VN304-VN340, VN371-VN470, VN473-VN490, VN495-VN530, VN533-VN535, VN537-VN540, VN542-VN630, VN633-VN650, VN671-VN675, VN684-VN730, VN791-VN810, VN931-VN960, VN966-VN990, VR421-VR421, VR461-VR461, VR471-VR471, VS051-VS052, VS061-VS061, VS066-VS070, VS073-VS073, VS091-VS094, VS131-VS132, VS176-VS177, VS196-VS199, VS206-VS207, VS261-VS262, VS266-VS268, |
| PD1 | | D01886 | 9 | 36-11-51 | D01886 | 51 | L2 | | DAW-B2 | VK001-VK011, VK021-VK054, |
| PD1 | | D01886 | 41 | 36-11-51 | D01886 | 63 | L2 | | DAW-B2 | VK131-VK133, VL001-VL006, VL011-VL040, VM001-VM015, VM171-VM173, VM211-VM212, VM221-VM222, VM231-VM234, VM241-VM241, VM251-VM259, VM301-VM303, VM471-VM472, VM491-VM494, VM531-VM532, VM536-VM536, VM541-VM541, VM631-VM632, VM681-VM683, VM921-VM930, |
| PE1 | | D02672 | 47 | 27-58-21 | D02672 | 66 | L2 | | DAW-B2 | VK001-VK006, VK021-VK022, VK031-VK054, VL001-VL006, VL011-VL040, VM001-VM015, VM171-VM173, VM211-VM211, |

286T1078-300
Wire Bundle Assembly
Figure 106 (Sheet 2)

25-71-01



BOEING
COMPONENT
MAINTENANCE MANUAL

| WIRE | | FROM EQUIPMENT | | | TO EQUIPMENT | | | WIRE INFO | | |
|--------|--------|----------------|---------|----------|--------------|---------|----------|-----------|--------|--|
| NUMBER | GA TYP | NUMBER | TERM TT | WDM REF | NUMBER | TERM TT | EMC/ SEP | FT | NOTES | EFFECTIVITY |
| PE1 | | D02672 | 47 | 27-58-21 | D02672 | 64 | L2 | | DAW-B2 | VK007-VK020, VK023-VK030, VK055-VK080, VK131-VK140, VK161-VK190, VL007-VL010, VL751-VL790, VL871-VL880, VL891-VL940, VN016-VN050, VN174-VN190, VN212-VN290, VN301-VN340, VN371-VN650, VN671-VN675, VN681-VN730, VN791-VN810, VN921-VN960, VN966-VN990, VR421-VR421, VR461-VR461, VR471-VR471, VS051-VS052, VS061-VS061, VS066-VS070, VS073-VS073, VS091-VS094, VS131-VS132, VS176-VS177, VS196-VS199, VS206-VS207, VS261-VS262, VS266-VS268, |
| PF1 | | D02160 | 7 | 73-21-15 | D02160 | 40 | L2 | | DAW-B2 | VK001-VK011, VK021-VK030, |
| PF1 | | D02160 | 6 | 73-21-15 | D02160 | 65 | L2 | | DAW-B2 | VK012-VK020, VK031-VK054, VK131-VK140, VK181-VK190, VL001-VL010, VL751-VL790, VL891-VL930, VN001-VN050, VN231-VN240, VN301-VN340, VN421-VN490, VN546-VN550, VN634-VN650, VN791-VN810, VN921-VN930, VN951-VN960, VN968-VN970, VR461-VR461, VS051-VS052, VS073-VS073, VS131-VS132, VS176-VS177, VS196-VS199, VS261-VS262, VS266-VS268, |
| PF1 | | D02160 | 11 | 73-21-15 | D02160 | 20 | L2 | | DAW-B2 | VK055-VK080, VK161-VK180, VL011-VL040, VL796-VL810, VL871-VL880, VL931-VL940, VN171-VN190, VN211-VN230, VN241-VN290, VN371-VN420, VN491-VN545, VN551-VN633, VN671-VN675, VN681-VN730, VN931-VN950, VN966-VN967, VN971-VN990, VR421-VR421, VR471-VR471, VS061-VS061, VS066-VS070, VS091-VS094, VS206-VS207, |
| S01 | SL | D02160 | | | | | R2 | 2 | ISL-F2 | VK001-VK080, VK131-VK140, VK161-VK190, VL001-VL040, VL751-VL790, VL796-VL805, VL871-VL871, VL873-VL880, VL911-VL940, VN001-VN050, VN171-VN190, VN211-VN220, VN231-VN290, VN301-VN340, VN371-VN633, VN681-VN730, VN791-VN810, VN921-VN960, VN966-VN990, VR421-VR421, VR461-VR461, VR471-VR471, VS051-VS052, VS061-VS061, VS066-VS070, VS073-VS073, VS091-VS094, VS131-VS132, VS176-VS177, VS196-VS199, VS206-VS207, VS261-VS262, VS266-VS268, |
| S02 | SL | D02160 | | | | | R2 | 2 | ISL-F2 | |
| S03 | SL | D01884 | | | | | R2 | 2 | ISL-F2 | |

286T1078-300
Wire Bundle Assembly
Figure 106 (Sheet 3)

25-71-01

TESTING & FAULT ISOLATION
01 Page 116E

Nov 01/02

| WIRE | | FROM EQUIPMENT | | | TO EQUIPMENT | | | WIRE INFO | | |
|--------|--------|----------------|---------|---------|--------------|---------|---------|-----------|--------|---|
| NUMBER | GA TYP | NUMBER | TERM TT | WDM REF | NUMBER | TERM TT | EMC/SEP | FT | NOTES | EFFECTIVITY |
| S04 | SL | D02160 | | | | | R2 | 2 | ISL-F2 | VK001-VK011, VK021-VK030, VL931-VL940, VN221-VN230, VN491-VN530, VN671-VN675, VN681-VN730, VN931-VN950, VN966-VN990, VS091-VS094, VS131-VS132, VS206-VS207, |
| S05 | SL | D02160 | | | | | R2 | 2 | ISL-F2 | VK001-VK011, VK021-VK030, VK055-VK080, VK171-VK180, VL931-VL940, VN221-VN230, VN491-VN530, VN671-VN675, VN681-VN730, VN931-VN950, VN966-VN967, VN971-VN990, VR421-VR421, VR471-VR471, VS091-VS094, VS206-VS207, |
| S29 | SL | D04978J | | | | | R2 | 1 | ISL-F2 | VK001-VK003, |
| S29 | SL | D08112J | | | | | R2 | 1 | ISL-F2 | VK004-VK080, VK131-VK140, VK161-VK190, VL001-VL040, VL751-VL790, VL796-VL810, VL871-VL880, VL891-VL940, VN001-VN050, VN171-VN190, VN211-VN290, VN301-VN340, VN371-VN650, VN671-VN675, VN681-VN730, VN791-VN810, VN921-VN960, VN966-VN990, VR421-VR421, VR461-VR461, VR471-VR471, VS051-VS052, VS061-VS061, VS066-VS070, VS073-VS073, VS091-VS094, VS131-VS132, VS176-VS177, VS196-VS199, VS206-VS207, VS261-VS262, VS266-VS268, |
| S34 | SL | D02160 | | | | | R2 | 2 | ISL-F2 | VK001-VK080, VK131-VK140, VK161-VK190, VL001-VL040, VL751-VL790, VL796-VL810, VL871-VL880, VL891-VL940, VN001-VN050, VN171-VN190, VN211-VN290, VN301-VN340, VN371-VN633, VN671-VN675, VN681-VN730, VN791-VN810, VN921-VN960, VN966-VN990, VR421-VR421, VR461-VR461, VR471-VR471, VS051-VS052, VS061-VS061, VS066-VS070, VS073-VS073, VS091-VS094, VS131-VS132, VS176-VS177, VS196-VS199, VS206-VS207, VS261-VS262, VS266-VS268, |
| S34 | SL | D02160 | | | | | R2 | 2 | ISL-F2 | VN634-VN650, |

 286T1078-300
 Wire Bundle Assembly
 Figure 106 (Sheet 4)

25-71-01

 TESTING & FAULT ISOLATION
 01 Page 116F
 Nov 01/02



BOEING
COMPONENT
MAINTENANCE MANUAL

| WIRE | | FROM EQUIPMENT | | | TO EQUIPMENT | | | WIRE INFO | | |
|--------|--------|----------------|---------|----------|--------------|---------|---------|-----------|--------|--|
| NUMBER | CA TYP | NUMBER | TERM TT | WDM REF | NUMBER | TERM TT | EMC/SEP | FT | NOTES | EFFECTIVITY |
| 665 | SL | D08030J | | | | | R2 | 1 | ISL-F2 | VK001-VK011, VK021-VK030, VK055-VK080, VK161-VK180, VL011-VL040, VL796-VL810, VL871-VL880, VL931-VL940, VNI171-VNI190, VN211-VN230, VN241-VN290, VN371-VN420, VN491-VN545, VN551-VN633, VN671-VN675, VN681-VN730, VN931-VN950, VN966-VN967, VN971-VN990, VR421-VR421, VR471-VR471, VS061-VS061, VS066-VS070, VS073-VS073, VS091-VS094, VS206-VS207, VS266-VS268, |
| 1 | 24 PK | TB0158Y | A006 BJ | 21-51-11 | D04978J | 6 | L2 | 3 | | VK001-VK054, VK131-VK140, VK181-VK190, VL001-VL010, VL751-VL790, VL911-VL930, VN001-VN015, VN231-VN240, VN301-VN340, VN471-VN530, VN791-VN810, VN921-VN930, VN951-VN960, VR461-VR461, VS051-VS052, VS091-VS094, VS261-VS262, |
| 1 | 24 PK | D01884 | 19 | 21-51-11 | D04978J | 6 | L2 | 3 | | VK055-VK080, VK161-VK180, VL011-VL040, VL796-VL805, VL931-VL940, VN016-VN050, VNI171-VNI190, VN211-VN220, VN241-VN290, VN371-VN470, VN531-VN633, VN681-VN730, VN931-VN950, VN966-VN967, VN971-VN990, VR421-VR421, VR471-VR471, VS061-VS061, VS066-VS070, VS073-VS073, VS176-VS177, VS196-VS199, VS206-VS207, VS266-VS268, |
| 1 | 24 PK | D01884 | 19 | 21-51-11 | D04978J | 6 | L2 | 2 | | VL871-VL880, VN968-VN970, VS131-VS132, |
| 2 | 22 PA | D01884 | 21 | 21-51-11 | GD0001 | D.. | L2 | 3 | | VK001-VK080, VK131-VK140, VK161-VK190, VL001-VL040, VL751-VL790, VL796-VL805, VL911-VL940, VN001-VN050, VNI171-VNI190, VN211-VN220, VN231-VN290, VN301-VN340, VN371-VN633, VN681-VN730, VN791-VN810, VN921-VN960, VN966-VN967, VN971-VN990, VR421-VR421, VR461-VR461, VR471-VR471, VS051-VS052, VS061-VS061, VS066-VS070, VS073-VS073, VS091-VS094, VS176-VS177, VS196-VS199, VS206-VS207, VS261-VS262, VS266-VS268, |
| 2 | 22 PA | D01884 | 21 | 21-51-11 | GD0001 | D.. | L2 | 2 | | VL871-VL880, VN968-VN970, VS131-VS132, |
| 3 | 24 PK | D01884 | 13 | 21-51-11 | TB0248Y | C004 BJ | L2 | 4 | | VK001-VK009, VK021-VK022, VK031-VK045, VL001-VL006, VL011-VL040, VN001-VN015, VNI171-VNI173, VN211-VN212, VN231-VN232, VN241-VN241, |
| 3 | 24 PK | D01884 | 13 | 21-51-11 | TB0248Y | C004 BJ | L2 | 5 | | VK010-VK011, |

286T1078-300
Wire Bundle Assembly
Figure 106 (Sheet 5)

25-71-01

TESTING & FAULT ISOLATION
01 Page 116G
Nov 01/02



COMPONENT
MAINTENANCE MANUAL

| WIRE | | FROM EQUIPMENT | | | TO EQUIPMENT | | | WIRE INFO | | | | | |
|--------|----|----------------|--------|------|--------------|----------|---------|-----------|----|---------|----|-------|--|
| NUMBER | GA | TYP | NUMBER | TERM | TT | WDM REF | NUMBER | TERM | TT | EMC/SEP | FT | NOTES | EFFECTIVITY |
| 4 | 24 | PK | D01884 | 14 | | 21-51-11 | D04978J | 19 | | L2 | 3 | | VK001-VK080, VK131-VK140, VK161-VK190, VL001-VL040, VL751-VL790, VL796-VL805, VL911-VL940, VN001-VN050, VN171-VN190, VN211-VN220, VN231-VN290, VN301-VN340, VN371-VN633, VN681-VN730, VN791-VN810, VN921-VN960, VN966-VN967, VN971-VN990, VR421-VR421, VR461-VR461, VR471-VR471, VS051-VS052, VS061-VS061, VS066-VS070, VS073-VS073, VS091-VS094, VS176-VS177, VS196-VS199, VS206-VS207, VS261-VS262, VS266-VS268, |
| 4 | 24 | PK | D01884 | 14 | | 21-51-11 | D04978J | 19 | | L2 | 2 | | VL871-VL880, VN968-VN970, VS131-VS132, |
| 5 | 24 | PK | D01884 | 8 | | 21-51-11 | D04978J | 18 | | L2 | 3 | | VK001-VK080, VK131-VK140, VK161-VK190, VL001-VL040, VL751-VL790, VL796-VL805, VL911-VL940, VN001-VN050, VN171-VN190, VN211-VN220, VN231-VN290, VN301-VN340, VN371-VN633, VN681-VN730, VN791-VN810, VN921-VN960, VN966-VN967, VN971-VN990, VR421-VR421, VR461-VR461, VR471-VR471, VS051-VS052, VS061-VS061, VS066-VS070, VS073-VS073, VS091-VS094, VS176-VS177, VS196-VS199, VS206-VS207, VS261-VS262, VS266-VS268, |
| 5 | 24 | PK | D01884 | 8 | | 21-51-11 | D04978J | 18 | | L2 | 2 | | VL871-VL880, VN968-VN970, VS131-VS132, |
| 6 | 24 | PK | D01884 | 7 | | 21-51-11 | D04978J | 17 | | L2 | 3 | | VK001-VK080, VK131-VK140, VK161-VK190, VL001-VL040, VL751-VL790, VL796-VL805, VL911-VL940, VN001-VN050, VN171-VN190, VN211-VN220, VN231-VN290, VN301-VN340, VN371-VN633, VN681-VN730, VN791-VN810, VN921-VN960, VN966-VN967, VN971-VN990, VR421-VR421, VR461-VR461, VR471-VR471, VS051-VS052, VS061-VS061, VS066-VS070, VS073-VS073, VS091-VS094, VS176-VS177, VS196-VS199, VS206-VS207, VS261-VS262, VS266-VS268, |
| 6 | 24 | PK | D01884 | 7 | | 21-51-11 | D04978J | 17 | | L2 | 2 | | VL871-VL880, VN968-VN970, VS131-VS132, |
| 7 | 24 | PK | D01884 | 36 | | 21-51-11 | TB0158G | 3 | 2 | L2 | 4 | | VK001-VK009, VK021-VK022, VK031-VK045, VL001-VL006, VL011-VL011, VN001-VN015, VN171-VN173, VN211-VN212, VN231-VN232, VN241-VN241, |

286T1078-300
Wire Bundle Assembly
Figure 106 (Sheet 6)

25-71-01



BOEING
COMPONENT
MAINTENANCE MANUAL

| WIRE | | FROM EQUIPMENT | | | TO EQUIPMENT | | | WIRE INFO | | | |
|--------|--------|----------------|---------|----------|-----------------|---------|---------|-----------|--|-------------|--|
| NUMBER | GA TYP | NUMBER | TERM TT | WDM REF | NUMBER | TERM TT | EMC/SEP | FT | NOTES | EFFECTIVITY | |
| 7 | 24 PK | D01884 | 36 | 21-51-11 | TB0158Y A004 BJ | L2 | 4 | | VK010-VK020, VK023-VK030, VK046-VK080, VK131-VK140, VK161-VK190, VL007-VL010, VL012-VL040, VL751-VL790, VL796-VL805, VL911-VL940, VN016-VN050, VN174-VN190, VN213-VN220, VN233-VN240, VN242-VN290, VN301-VN340, VN371-VN633, VN681-VN730, VN791-VN810, VN921-VN960, VN966-VN967, VN971-VN990, VR421-VR461, VR461-VR461, VR471-VR471, VS051-VS052, VS061-VS061, VS066-VS070, VS073-VS073, VS091-VS094, VS176-VS177, VS196-VS199, VS206-VS207, VS261-VS262, VS266-VS268, | | |
| 7 | 24 PK | D04978J | 9 | 21-51-11 | TB0158Y A004 BJ | L2 | 2 | | VL806-VL810, | | |
| 7 | 24 PK | D01884 | 36 | 21-51-11 | TB0158Y A004 BJ | L2 | 3 | | VL871-VL880, VN968-VN970, VS131-VS132, | | |
| 7 | 24 PK | D04978J | 9 | 21-51-11 | TB0158Y A004 BJ | L2 | 3 | | VL891-VL910, | | |
| 7 | 24 PK | D04978J | 9 | 21-51-11 | TB0158G 3 2 | L2 | 4 | | VN221-VN222, | | |
| 7 | 24 PK | D04978J | 9 | 21-51-11 | TB0158Y A004 BJ | L2 | 4 | | VN223-VN230, VN634-VN650, VN671-VN675, | | |
| 8 | 24 PK | D01884 | 15 | 21-51-21 | TB0158G 4 2 | L2 | 4 | | VK001-VK009, VK021-VK022, VK031-VK045, VL001-VL006, VL011-VL011, VN001-VN015, VN171-VN173, VN211-VN212, VN231-VN232, VN241-VN241, | | |
| 8 | 24 PK | D01884 | 15 | 21-51-21 | TB0158Y C004 BJ | L2 | 4 | | VK010-VK020, VK023-VK030, VK046-VK080, VK131-VK140, VK161-VK190, VL007-VL010, VL012-VL040, VL751-VL790, VL796-VL805, VL911-VL940, VN016-VN050, VN174-VN190, VN213-VN220, VN233-VN240, VN242-VN290, VN301-VN340, VN371-VN633, VN681-VN730, VN791-VN810, VN921-VN960, VN966-VN967, VN971-VN990, VR421-VR421, VR461-VR461, VR471-VR471, VS051-VS052, VS061-VS061, VS066-VS070, VS073-VS073, VS091-VS094, VS176-VS177, VS196-VS199, VS206-VS207, VS261-VS262, VS266-VS268, | | |
| 8 | 24 PK | D04978J | 5 | 21-51-21 | TB0158Y C004 BJ | L2 | 2 | | VL806-VL810, | | |
| 8 | 24 PK | D01884 | 15 | 21-51-21 | TB0158Y C004 BJ | L2 | 3 | | VL871-VL880, VN968-VN970, VS131-VS132, | | |
| 8 | 24 PK | D04978J | 5 | 21-51-21 | TB0158Y C004 BJ | L2 | 3 | | VL891-VL910, | | |
| 8 | 24 PK | D04978J | 5 | 21-51-21 | TB0158G 4 2 | L2 | 4 | | VN221-VN222, | | |
| 8 | 24 PK | D04978J | 5 | 21-51-21 | TB0158Y C004 BJ | L2 | 4 | | VN223-VN230, VN634-VN650, VN671-VN675, | | |

286T1078-300
Wire Bundle Assembly
Figure 106 (Sheet 7)

25-71-01

TESTING & FAULT ISOLATION
01

Page 1161
Nov 01/02

| WIRE | | FROM EQUIPMENT | | | TO EQUIPMENT | | | WIRE INFO | | | |
|--------|--------|----------------|---------|----------|--------------|---------|----------|-----------|-------|---|--|
| NUMBER | GA TYP | NUMBER | TERM TT | WDM REF | NUMBER | TERM TT | EMC/ SEP | FT | NOTES | EFFECTIVITY | |
| 9 | 24 FK | D01884 | 17 | 21-51-11 | D04978J | 15 | L2 | 3 | | VK001-VK080, VK131-VK140, VK161-VK190, VL001-VL040, VL751-VL790, VL796-VL805, VL911-VL940, VM001-VM050, VN171-VN190, VN211-VN220, VN231-VN290, VN301-VN340, VN371-VN633, VN681-VN730, VN791-VN810, VN921-VN960, VN966-VN967, VN971-VN990, VR421-VR421, VR461-VR461, VR471-VR471, VS051-VS052, VS061-VS061, VS066-VS070, VS073-VS073, VS091-VS094, VS176-VS177, VS196-VS199, VS206-VS207, VS261-VS262, VS266-VS268, | |
| 9 | 24 FK | D01884 | 17 | 21-51-11 | D04978J | 15 | L2 | 2 | | VL871-VL880, VN968-VN970, VS131-VS132, | |
| 10 | 24 FK | D05209J | 12 | 31-51-42 | TB0182D | A019 | L2 | 3 | | VK001-VK080, VK131-VK140, VK161-VK190, VL001-VL040, VL751-VL790, VL796-VL805, VL891-VL940, VM001-VM050, VN171-VN190, VN211-VN290, VN301-VN340, VN371-VN650, VN671-VN675, VN681-VN730, VN791-VN810, VN921-VN960, VN966-VN967, VN971-VN990, VR421-VR421, VR461-VR461, VR471-VR471, VS051-VS052, VS061-VS061, VS066-VS070, VS073-VS073, VS091-VS094, VS176-VS177, VS196-VS199, VS206-VS207, VS261-VS262, VS266-VS268, | |
| 10 | 24 FK | D05209J | 12 | 31-51-42 | TB0182D | A019 | L2 | 2 | | VL806-VL810, VL871-VL880, VN968-VN970, VS131-VS132, | |
| 11 | 24 FK | D01886 | 39 | 36-11-51 | SM00002 | | L2 | 3 | | VK001-VK011, VK021-VK054, | |
| 11 | 24 FK | D01886 | 55 | 36-11-51 | SM00002 | | L2 | 3 | | VK012-VK020, VK055-VK080, VK131-VK140, VK161-VK190, VL001-VL040, VL751-VL790, VL796-VL805, VL891-VL940, VM001-VN050, VN171-VN190, VN211-VN290, VN301-VN340, VN371-VN650, VN671-VN675, VN681-VN730, VN791-VN810, VN921-VN960, VN966-VN967, VN971-VN990, VR421-VR421, VR461-VR461, VR471-VR471, VS051-VS052, VS061-VS061, VS066-VS070, VS073-VS073, VS091-VS094, VS176-VS177, VS196-VS199, VS206-VS207, VS261-VS262, VS266-VS268, | |
| 11 | 24 FK | D01886 | 55 | 36-11-51 | SM00002 | | L2 | 2 | | VL806-VL810, VN968-VN970, VS131-VS132, | |

286T1078-300
Wire Bundle Assembly
Figure 106 (Sheet 8)

25-71-01



BOEING
COMPONENT
MAINTENANCE MANUAL

| WIRE | | FROM EQUIPMENT | | | TO EQUIPMENT | | | WIRE INFO | | | | | |
|--------|----|----------------|---------|------|--------------|----------|--------------|-----------|----|---------|----|-------|--|
| NUMBER | GA | TYP | NUMBER | TERM | TT | WDM REF | NUMBER | TERM | TT | EMC/SEP | FT | NOTES | EFFECTIVITY |
| 12 | 24 | PK | D01884 | 3 | | 21-51-11 | TB0158G | 9 | 2 | L2 | 4 | | VK001-VK080, VK131-VK140, VK161-VK190, VL001-VL040, VL751-VL790, VL796-VL805, VL911-VL940, VN001-VN050, VN171-VN190, VN211-VN220, VN231-VN290, VN301-VN340, VN371-VN633, VN681-VN730, VN791-VN810, VN921-VN960, VN966-VN967, VN971-VN990, VR421-VR421, VR461-VR461, VR471-VR471, VS051-VS052, VS061-VS061, VS066-VS070, VS073-VS073, VS091-VS094, VS176-VS177, VS196-VS199, VS206-VS207, VS261-VS262, VS266-VS268, |
| 12 | 24 | PK | D01884 | 3 | | 21-51-11 | TB0158Y A006 | BJ | | L2 | 3 | | VL871-VL880, |
| 12 | 24 | PK | D01884 | 3 | | 21-51-11 | TB0158G | 9 | 2 | L2 | 3 | | VN968-VN970, VS131-VS132, |
| 13 | 24 | PK | D02160 | 34 | | 73-21-11 | TB0182Y | C010 | BJ | L2 | 5 | | VK001-VK011, VK021-VK030, |
| 13 | 24 | PK | D02160 | 42 | | 73-21-17 | TB0182Y | C010 | BJ | L2 | 4 | | VK055-VK080, VK161-VK180, VL011-VL040, VL796-VL805, VL931-VL940, VN171-VN190, VN211-VN230, VN241-VN290, VN371-VN420, VN491-VN545, VN551-VN633, VN671-VN675, VN681-VN730, VN931-VN950, VN966-VN967, VN971-VN990, VR421-VR421, VR471-VR471, VS061-VS061, VS066-VS070, VS091-VS094, VS206-VS207, |
| 13 | 24 | PK | D02160 | 42 | | 73-21-17 | TB0182Y | C010 | BJ | L2 | 3 | | VL806-VL810, |
| 13 | 24 | PK | D02160 | 42 | | 73-21-17 | TB0182X | A011 | BJ | L2 | 3 | | VL871-VL880, |
| 14 | 24 | PK | D01884 | 4 | | 21-51-11 | TB0158Y | C006 | BJ | L2 | 4 | | VK001-VK080, VK131-VK140, VK161-VK190, VL001-VL040, VL751-VL790, VL796-VL805, VL911-VL940, VN001-VN050, VN171-VN190, VN211-VN220, VN231-VN290, VN301-VN340, VN371-VN633, VN681-VN730, VN791-VN810, VN921-VN960, VN966-VN967, VN971-VN990, VR421-VR421, VR461-VR461, VR471-VR471, VS051-VS052, VS061-VS061, VS066-VS070, VS073-VS073, VS091-VS094, VS176-VS177, VS196-VS199, VS206-VS207, VS261-VS262, VS266-VS268, |
| 14 | 24 | PK | D04978J | 22 | | 21-51-11 | TB0158Y | C006 | BJ | L2 | 2 | | VL806-VL810, |
| 14 | 24 | PK | D01884 | 4 | | 21-51-11 | TB0158Y | C006 | BJ | L2 | 3 | | VL871-VL880, VN968-VN970, VS131-VS132, |
| 14 | 24 | PK | D04978J | 22 | | 21-51-11 | TB0158Y | C006 | BJ | L2 | 3 | | VL891-VL910, |
| 14 | 24 | PK | D04978J | 22 | | 21-51-11 | TB0158Y | C006 | BJ | L2 | 4 | | VN221-VN230, VN634-VN650, VN671-VN675, |

286T1078-300
Wire Bundle Assembly
Figure 106 (Sheet 9)

25-71-01

| WIRE | | FROM EQUIPMENT | | | TO EQUIPMENT | | | WIRE INFO | | | | | |
|--------|----|----------------|---------|------|--------------|----------|---------|-----------|----|---------|----|-------|--|
| NUMBER | GA | TYP | NUMBER | TERM | TT | WDM REF | NUMBER | TERM | TT | EMC/SEP | FT | NOTES | EFFECTIVITY |
| 15 | 24 | PK | D01884 | 5 | | 21-51-11 | TB0158Y | A005 | BJ | L2 | 4 | | VK001-VK080, VK131-VK140, VK161-VK190, VL001-VL040, VL751-VL790, VL796-VL805, VL911-VL940, VN001-VN050, VN171-VN190, VN211-VN220, VN231-VN290, VN301-VN340, VN371-VN633, VN681-VN730, VN791-VN810, VN921-VN960, VN966-VN967, VN971-VN990, VR421-VR461, VR461-VR471, VR471-VR471, VS051-VS052, VS061-VS061, VS066-VS070, VS073-VS073, VS091-VS094, VS176-VS177, VS196-VS199, VS206-VS207, VS261-VS262, VS266-VS268, VL806-VL810, VL871-VL880, VN968-VN970, VS131-VS132, VL891-VL910, VN221-VN230, VN634-VN650, VN671-VN675, VK001-VK080, VK131-VK140, VK161-VK190, VL001-VL040, VL751-VL790, VL796-VL805, VL911-VL940, VN001-VN050, VN171-VN190, VN211-VN220, VN231-VN290, VN301-VN340, VN371-VN633, VN681-VN730, VN791-VN810, VN921-VN960, VN966-VN967, VN971-VN990, VR421-VR461, VR461-VR471, VR471-VR471, VS051-VS052, VS061-VS061, VS066-VS070, VS073-VS073, VS091-VS094, VS176-VS177, VS196-VS199, VS206-VS207, VS261-VS262, VS266-VS268, VL871-VL880, VN968-VN970, VS131-VS132, VK001-VK080, VK131-VK140, VK161-VK190, VL001-VL040, VL751-VL790, VL796-VL805, VL911-VL940, VN001-VN050, VN171-VN190, VN211-VN220, VN231-VN290, VN301-VN340, VN371-VN633, VN681-VN730, VN791-VN810, VN921-VN960, VN966-VN967, VN971-VN990, VR421-VR461, VR461-VR471, VR471-VR471, VS051-VS052, VS061-VS061, VS066-VS070, VS073-VS073, VS091-VS094, VS176-VS177, VS196-VS199, VS206-VS207, VS261-VS262, VS266-VS268, VL871-VL880, VN968-VN970, VS131-VS132, VK001-VK080, VK131-VK140, VK161-VK190, VL001-VL040, VL751-VL790, VL796-VL805, VL911-VL940, VN001-VN050, VN171-VN190, VN211-VN220, VN231-VN290, VN301-VN340, VN371-VN633, VN681-VN730, VN791-VN810, VN921-VN960, VN966-VN967, VN971-VN990, VR421-VR461, VR461-VR471, VR471-VR471, VS051-VS052, VS061-VS061, VS066-VS070, VS073-VS073, VS091-VS094, VS176-VS177, VS196-VS199, VS206-VS207, VS261-VS262, VS266-VS268, |
| 15 | 24 | PK | D04978J | 20 | | 21-51-11 | TB0158Y | A005 | BJ | L2 | 2 | | |
| 15 | 24 | PK | D01884 | 5 | | 21-51-11 | TB0158Y | A005 | BJ | L2 | 3 | | |
| 15 | 24 | PK | D04978J | 20 | | 21-51-11 | TB0158Y | A005 | BJ | L2 | 3 | | |
| 15 | 24 | PK | D04978J | 20 | | 21-51-11 | TB0158Y | A005 | BJ | L2 | 4 | | |
| 16 | 24 | PK | D01884 | 22 | | 21-51-11 | D04978J | 20 | | L2 | 3 | | |
| 16 | 24 | PK | D01884 | 22 | | 21-51-11 | D04978J | 20 | | L2 | 2 | | |
| 17 | 24 | PK | D01884 | 1 | | 21-51-11 | D04978J | 21 | | L2 | 3 | | |
| 17 | 24 | PK | D01884 | 1 | | 21-51-11 | D04978J | 21 | | L2 | 3 | | |
| 17 | 24 | PK | D01884 | 1 | | 21-51-11 | D04978J | 21 | | L2 | 2 | | |
| 18 | 24 | PK | D01884 | 27 | | 21-51-11 | TB0182D | A023 | 2 | L2 | 4 | | |

286T1078-300
Wire Bundle Assembly
Figure 106 (Sheet 10)

25-71-01



BOEING
COMPONENT
MAINTENANCE MANUAL

| WIRE | | FROM EQUIPMENT | | | TO EQUIPMENT | | | WIRE INFO | | | | | |
|--------|----|----------------|---------|------|--------------|----------|---------|-----------|----|---------|----|-------|--|
| NUMBER | GA | TYP | NUMBER | TERM | TT | WDM REF | NUMBER | TERM | TT | EMC/SEP | FT | NOTES | EFFECTIVITY |
| 18 | 24 | PK | D01884 | 27 | | 21-51-11 | TB0182F | A023 | 2 | L2 | 4 | | VK012-VK020, VK055-VK080, VK131-VK140, VK161-VK190, VL751-VL790, VL796-VL805, VL911-VL940, VNO16-VN050, VR231-VN290, VN301-VN340, VN371-VN490, VN531-VN633, VN681-VN730, VN791-VN810, VN921-VN960, VN966-VN967, VN971-VN990, VR421-VR461, VR461-VR461, VR471-VR471, VS051-VS052, VS066-VS070, VS073-VS073, VS176-VS177, VS196-VS199, VS206-VS207, VS261-VS262, VS266-VS268, |
| 18 | 24 | PK | D04978J | 17 | | 21-51-11 | TB0182F | A023 | 2 | L2 | 2 | | VL806-VL810, |
| 18 | 24 | PK | D01884 | 27 | | 21-51-11 | TB0182F | A023 | 2 | L2 | 3 | | VL871-VL880, VN968-VN970, VS131-VS132, |
| 18 | 24 | PK | D04978J | 17 | | 21-51-11 | TB0182F | A023 | 2 | L2 | 3 | | VL891-VL910, |
| 18 | 24 | PK | D04978J | 17 | | 21-51-11 | TB0182D | A023 | 2 | L2 | 3 | | VN221-VN222, |
| 18 | 24 | PK | D04978J | 17 | | 21-51-11 | TB0182F | A023 | 2 | L2 | 3 | | VN223-VN230, VN634-VN650, VN671-VN675, |
| 18 | 24 | PK | D01884 | 27 | | 21-51-11 | TB0182F | A023 | 2 | L2 | 3 | | VN491-VN530, VS091-VS094, |
| 19 | 24 | PK | D01884 | 6 | | 21-51-11 | TB0158F | C024 | 2 | L2 | 4 | | VK001-VK080, VK131-VK140, VK161-VK190, VL001-VL040, VL751-VL790, VL796-VL805, VL911-VL940, VN001-VN050, VN171-VN190, VN211-VN220, VN231-VN290, VN301-VN340, VN371-VN633, VN681-VN730, VN791-VN810, VN921-VN960, VN966-VN967, VN971-VN990, VR421-VR461, VR461-VR461, VR471-VR471, VS051-VS052, VS061-VS061, VS066-VS070, VS073-VS073, VS091-VS094, VS176-VS177, VS196-VS199, VS206-VS207, VS261-VS262, VS266-VS268, |
| 19 | 24 | PK | D04978J | 18 | | 21-51-11 | TB0158F | C024 | 2 | L2 | 2 | | VL806-VL810, |
| 19 | 24 | PK | D01884 | 6 | | 21-51-11 | TB0158F | C024 | 2 | L2 | 3 | | VL871-VL880, VN968-VN970, VS131-VS132, |
| 19 | 24 | PK | D04978J | 18 | | 21-51-11 | TB0158F | C024 | 2 | L2 | 3 | | VL891-VL910, |
| 19 | 24 | PK | D04978J | 18 | | 21-51-11 | TB0158F | C024 | 2 | L2 | 3 | | VN221-VN230, VN634-VN650, VN671-VN675, |
| 20 | 22 | PA | D01884 | 28 | | 21-51-11 | TB0182Y | C004 | BJ | L2 | 4 | | VK001-VK054, VK131-VK140, VK161-VK190, VL001-VL010, VL751-VL790, VL911-VL930, VN001-VN015, VN231-VN240, VN301-VN340, VN471-VN490, VN791-VN810, VN921-VN930, VN951-VN960, VR461-VR461, VS051-VS052, VS261-VS262, |

286T1078-300
Wire Bundle Assembly
Figure 106 (Sheet 11)

25-71-01

| WIRE | | FROM EQUIPMENT | | | TO EQUIPMENT | | | WIRE INFO | | |
|--------|--------|----------------|---------|----------|--------------|---------|---------|-----------|-------|--|
| NUMBER | GA TYP | NUMBER | TERM TT | WDM REF | NUMBER | TERM TT | EMC/SEP | FT | NOTES | EFFECTIVITY |
| 20 | 22 PA | D01884 | 28 | 21-51-11 | TB0158Y | A006 BJ | L2 | 4 | | VK055-VK080, VK171-VK180, VL931-VL940, VN016-VN050, VN171-VN190, VN251-VN290, VN681-VN730, VN931-VN950, VR421-VR421, VR471-VR471, VS061-VS061, VS066-VS070, VS073-VS073, VS196-VS199, VS206-VS207, VS266-VS268, |
| 20 | 22 PA | D01884 | 28 | 21-51-11 | SM00009 | W | L2 | 3 | | VK161-VK170, VL011-VL040, VL796-VL805, VN211-VN220, VN241-VN250, VN371-VN470, VN531-VN633, VN966-VN967, VN971-VN990, VS176-VS177, |
| 20 | 22 PA | D01884 | 28 | 21-51-11 | SM00009 | W | L2 | 1 | | VL871-VL880, VN968-VN970, VS131-VS132, |
| 20 | 22 PA | D01884 | 28 | 21-51-11 | TB0182Y | C014 BJ | L2 | 4 | | VN491-VN530, VS091-VS094, |
| 21 | 24 PK | D01884 | 31 | 21-25-11 | D04978J | 5 | L2 | 3 | | VK001-VK080, VK131-VK140, VK161-VK190, VL001-VL040, VL751-VL790, VL796-VL805, VL911-VL940, VN001-VN050, VN171-VN190, VN211-VN220, VN231-VN290, VN301-VN340, VN371-VN633, VN681-VN730, VN791-VN810, VN921-VN960, VN966-VN967, VN971-VN990, VR421-VR421, VR461-VR461, VR471-VR471, VS051-VS052, VS061-VS061, VS066-VS070, VS073-VS073, VS091-VS094, VS176-VS177, VS196-VS199, VS206-VS207, VS261-VS262, VS266-VS268, |
| 21 | 24 PK | D01884 | 31 | 21-25-11 | D04978J | 5 | L2 | 2 | | VL871-VL880, VN968-VN970, VS131-VS132, |
| 22 | 24 PK | D01884 | 9 | 21-53-11 | D04978J | 24 | L2 | 3 | | VK001-VK080, VK131-VK140, VK161-VK190, VL001-VL040, VL751-VL790, VL796-VL805, VL911-VL940, VN001-VN050, VN171-VN190, VN211-VN220, VN231-VN290, VN301-VN340, VN371-VN633, VN681-VN730, VN791-VN810, VN921-VN960, VN966-VN967, VN971-VN990, VR421-VR421, VR461-VR461, VR471-VR471, VS051-VS052, VS061-VS061, VS066-VS070, VS073-VS073, VS091-VS094, VS176-VS177, VS196-VS199, VS206-VS207, VS261-VS262, VS266-VS268, |
| 22 | 24 PK | D01884 | 9 | 21-53-11 | D04978J | 24 | L2 | 2 | | VL871-VL880, VN968-VN970, VS131-VS132, |

286T1078-300
Wire Bundle Assembly
Figure 106 (Sheet 12)

25-71-01



BOEING
COMPONENT
MAINTENANCE MANUAL

| WIRE | | FROM EQUIPMENT | | | TO EQUIPMENT | | | WIRE INFO | | | | | |
|--------|----|----------------|---------|------|--------------|----------|---------|-----------|----|-------------|----|-------|--|
| NUMBER | GA | TYP | NUMBER | TERM | TT | WDM REF | NUMBER | TERM | TT | EMC/ SEP | FT | NOTES | EFFECTIVITY |
| 23 | 24 | PK | D01884 | 26 | | 21-53-12 | TB0158F | A012 | 2 | R2 | 4 | | VK001-VK080, VK131-VK140, VK161-VK190, VL001-VL040, VL751-VL790, VL796-VL805, VL911-VL940, VN001-VN050, VN171-VN190, VN211-VN220, VN231-VN290, VN301-VN340, VN371-VN633, VN681-VN730, VN791-VN810, VN921-VN960, VN966-VN967, VN971-VN990, VR421-VR461, VR461-VR471, VR471-VR471, VS051-VS052, VS061-VS061, VS066-VS070, VS073-VS073, VS091-VS094, VS176-VS177, VS196-VS199, VS206-VS207, VS261-VS262, VS266-VS268, |
| 23 | 24 | PK | D04978J | 36 | | 21-51-11 | TB0158F | A012 | 2 | R2 | 3 | | VL806-VL810, VN221-VN230, VN634-VN650, VN671-VN675, VL871-VL880, VN968-VN970, VS131-VS132, VL891-VL910, |
| 23 | 24 | PK | D01884 | 26 | | 21-53-12 | TB0158F | A012 | 2 | R2 | 3 | | VK001-VK054, VK131-VK140, VK181-VK190, VL001-VL010, VL751-VL790, VL911-VL930, VN001-VN015, VN231-VN240, VN301-VN340, VN471-VN530, VN791-VN810, VN921-VN930, VN951-VN960, VR461-VR461, VS051-VS052, VS091-VS094, VS261-VS262, |
| 24 | 24 | PK | D01884 | 19 | | 21-51-11 | TB0158Y | A006 | BJ | L2 | 4 | | |
| 25 | 24 | PK | D01884 | 2 | | 21-51-11 | D08068J | 20 | | L2 | 3 | | VK001-VK080, VK131-VK140, VK161-VK190, VL001-VL040, VL751-VL790, VL796-VL805, VL911-VL940, VN001-VN050, VN171-VN190, VN211-VN220, VN231-VN290, VN301-VN340, VN371-VN633, VN681-VN730, VN791-VN810, VN921-VN960, VN966-VN967, VN971-VN990, VR421-VR421, VR461-VR461, VR471-VR471, VS051-VS052, VS061-VS061, VS066-VS070, VS073-VS073, VS091-VS094, VS176-VS177, VS196-VS199, VS206-VS207, VS261-VS262, VS266-VS268, |
| 25 | 24 | PK | D01884 | 2 | | 21-51-11 | D08068J | 20 | | L2 | 2 | | VL871-VL880, VN968-VN970, VS131-VS132, |
| 26 | 24 | PK | D01884 | 32 | | 73-21-15 | TB0248X | D012 | BJ | L2 | 4 | | VK001-VK080, VK131-VK140, VK161-VK190, VL001-VL040, VL751-VL790, VL796-VL805, VL911-VL940, VN001-VN050, VN171-VN190, VN211-VN220, VN231-VN290, VN301-VN340, VN371-VN633, VN681-VN730, VN791-VN810, VN921-VN960, VN966-VN967, VN971-VN990, VR421-VR421, VR461-VR461, VR471-VR471, VS051-VS052, VS061-VS061, VS066-VS070, VS073-VS073, VS091-VS094, VS176-VS177, VS196-VS199, VS206-VS207, VS261-VS262, VS266-VS268, |
| 26 | 24 | PK | D01884 | 32 | | 73-21-15 | TB0248X | D012 | BJ | L2 | 3 | | VL871-VL880, VN968-VN970, VS131-VS132, |

286T1078-300
Wire Bundle Assembly
Figure 106 (Sheet 13)

25-71-01

| WIRE | | FROM EQUIPMENT | | | | TO EQUIPMENT | | | | WIRE INFO | | | |
|--------|--------|----------------|---------|----------|---------|--------------|---------|----|-------|--|--|--|--|
| NUMBER | GA TYP | NUMBER | TERM TT | WDM REF | NUMBER | TERM TT | EMC/SEP | FT | NOTES | EFFECTIVITY | | | |
| 27 | 24 PK | D01884 | 18 | 73-21-15 | D02160 | 28 | L2 | 3 | | VK001-VK011, VK021-VK030, | | | |
| 27 | 24 PK | D02160 | 47 | 73-21-15 | D01884 | 18 | L2 | 3 | | VK012-VK020, VK031-VK054, VK131-VK140, VK181-VK190, VL001-VL010, VL751-VL790, VL911-VL930, VN001-VN050, VN231-VN240, VN301-VN340, VN421-VN490, VN546-VN550, VN791-VN810, VN921-VN930, VN951-VN960, VR461-VR461, VS051-VS052, VS073-VS073, VS176-VS177, VS196-VS199, VS261-VS262, VS266-VS268, | | | |
| 27 | 24 PK | D02160 | 25 | 73-21-15 | D01884 | 18 | L2 | 3 | | VK055-VK080, VK161-VK180, VL011-VL040, VL796-VL805, VL931-VL940, VN171-VN190, VN211-VN220, VN241-VN290, VN371-VN420, VN531-VN545, VN551-VN633, VN681-VN730, VN931-VN950, VN966-VN967, VN971-VN990, VR421-VR421, VR471-VR471, VS061-VS061, VS066-VS070, VS206-VS207, | | | |
| 27 | 24 PK | D02160 | 25 | 73-21-15 | D04978J | 49 | L2 | 1 | | VL806-VL810, | | | |
| 27 | 24 PK | D02160 | 25 | 73-21-15 | D01884 | 18 | L2 | 1 | | VL871-VL880, | | | |
| 27 | 24 PK | D04978J | 49 | 73-21-15 | D02160 | 47 | L2 | 4 | | VL891-VL910, VNG34-VNG50, | | | |
| 27 | 24 PK | D04978J | 49 | 73-21-15 | D02160 | 25 | L2 | 4 | | VN221-VN230, VN671-VN675, | | | |
| 27 | 24 PK | D02160 | 25 | 73-21-15 | D01884 | 18 | L2 | 4 | | VN491-VN530, VS091-VS094, | | | |
| 27 | 24 PK | D02160 | 47 | 73-21-15 | D01884 | 18 | L2 | 1 | | VN968-VN970, VS131-VS132, | | | |
| 28 | 22 PA | D01884 | 10 | 21-51-11 | TB0158G | 13 | L2 | 4 | | VK001-VK009, VK021-VK022, VK031-VK045, VL001-VL006, VN001-VN015, VN171-VN173, VN231-VN232, | | | |
| 28 | 22 PA | D01884 | 10 | 21-51-11 | TB0158Y | A001 | BJ | L2 | 4 | VK010-VK020, VK023-VK030, VK046-VK080, VK131-VK140, VK171-VK190, VL007-VL010, VL751-VL790, VL911-VL940, VN016-VN050, VN174-VN190, VN233-VN240, VN251-VN290, VN301-VN340, VN471-VN530, VN681-VN730, VN791-VN810, VN921-VN960, VR421-VR421, VR461-VR461, VR471-VR471, VS051-VS052, VS061-VS061, VS066-VS070, VS073-VS073, VS091-VS094, VS196-VS199, VS206-VS207, VS261-VS262, VS266-VS268, | | | |
| 28 | 22 PA | D01884 | 10 | 21-51-11 | SM00010 | | W | L2 | 3 | VK161-VK161, VN371-VN372, VN382-VN383, | | | |
| 28 | 22 PA | D01884 | 10 | 21-51-11 | SM00010 | | W | L2 | 3 | VK162-VK170, VL011-VL040, VL796-VL805, VN241-VN250, VN373-VN381, VN384-VN470, VN531-VN630, VN966-VN967, VN971-VN990, VS176-VS177, | | | |

 286T1078-300
 Wire Bundle Assembly
 Figure 106 (Sheet 14)

25-71-01



BOEING
COMPONENT
MAINTENANCE MANUAL

| WIRE | | FROM EQUIPMENT | | | TO EQUIPMENT | | | WIRE INFO | | | | |
|--------|--------|----------------|------|----|--------------|---------|------|-----------|---------|----|-------|--|
| NUMBER | GA TYP | NUMBER | TERM | TT | WDM REF | NUMBER | TERM | TT | EMC/SEP | FT | NOTES | EFFECTIVITY |
| 28 | 22 PA | D01884 | 10 | | 21-51-11 | SM00010 | | W | L2 | 1 | | VL871-VL880, VN968-VN970, VS131-VS132, VN211-VN212, VN213-VN220, VN631-VN633, VK001-VK011, VK031-VK030, VK012-VK020, VK031-VK054, VK131-VK140, VK181-VK190, VL001-VL010, VL751-VL790, VL891-VL930, VN001-VN050, VN231-VN240, VN301-VN340, VN421-VN490, VN546-VN550, VN634-VN650, VN791-VN810, VN921-VN930, VN951-VN960, VR461-VR461, VS051-VS052, VS073-VS073, VS176-VS177, VS196-VS199, VS261-VS262, VS266-VS268, |
| 29 | 24 PK | D02160 | 24 | | 73-21-15 | TB0158G | 10 | 2 | L2 | 4 | | VK055-VK080, VK161-VK180, VL011-VL040, VL796-VL805, VL931-VL940, VN171-VN190, VN211-VN230, VN241-VN290, VN371-VN420, VN491-VN545, VN551-VN633, VN671-VN675, VN681-VN730, VN931-VN950, VN966-VN967, VN971-VN990, VR421-VR421, VR471-VR471, VS061-VS061, VS066-VS070, VS091-VS094, VS206-VS207, |
| 29 | 24 PK | D02160 | 24 | | 73-21-15 | TB0158G | 10 | 2 | L2 | 3 | | VL806-VL810, |
| 29 | 24 PK | D02160 | 24 | | 73-21-15 | TB0158Y | C008 | BJ | L2 | 3 | | VL871-VL880, |
| 29 | 24 PK | D02160 | 66 | | 73-21-15 | TB0158G | 10 | 2 | L2 | 3 | | VN968-VN970, VS131-VS132, |
| 30 | 24 PK | D01884 | 12 | | 21-51-11 | TB0158G | 14 | 2 | L2 | 4 | | VK001-VK009, VK021-VK022, VK031-VK045, VL001-VL006, VL011-VL011, VN001-VN015, VN171-VN173, VN211-VN212, VN231-VN232, VN241-VN241, |
| 30 | 24 PK | D01884 | 12 | | 21-51-11 | TB0158Y | C001 | BJ | L2 | 4 | | VK010-VK020, VK023-VK030, VK046-VK080, VK131-VK140, VK161-VK190, VL007-VL010, VL012-VL040, VL751-VL790, VL796-VL805, VL911-VL940, VN016-VN050, VN174-VN190, VN213-VN220, VN233-VN240, VN242-VN290, VN301-VN340, VN371-VN633, VN681-VN730, VN791-VN810, VN921-VN960, VN966-VN967, VN971-VN990, VR421-VR421, VR461-VR461, VR471-VR471, VS051-VS052, VS061-VS061, VS066-VS070, VS073-VS073, VS091-VS094, VS176-VS177, VS196-VS199, VS206-VS207, VS261-VS262, VS266-VS268, |
| 30 | 24 PK | D01884 | 12 | | 21-51-11 | TB0158Y | C001 | BJ | L2 | 3 | | VL871-VL880, VN968-VN970, VS131-VS132, |

286T1078-300
Wire Bundle Assembly
Figure 106 (Sheet 15)

25-71-01



COMPONENT
MAINTENANCE MANUAL

| WIRE | | FROM EQUIPMENT | | | | TO EQUIPMENT | | | | WIRE INFO | | | |
|--------|--------|----------------|---------|----------|---------|--------------|----|---------|----|-----------|--|--|--|
| NUMBER | CA TYP | NUMBER | TERM FT | WDM REF | NUMBER | TERM | TT | EMC/SEP | FT | NOTES | EFFECTIVITY | | |
| 31 | 24 PK | TB0158G | 3 | 21-51-11 | D04978J | 16 | | L2 | 3 | | VK001-VK009, VK021-VK022, VK031-VK045, VL001-VL006, VL011-VL014, VN001-VN015, VN171-VN173, VN211-VN212, VN221-VN222, VN231-VN232, VN241-VN241, | | |
| 31 | 24 PK | TB0158Y | A004 | 21-51-11 | D04978J | 16 | | L2 | 4 | | VK010-VK020, VK023-VK030, VK046-VK080, VK131-VK140, VK161-VK190, VL007-VL010, VL012-VL040, VL751-VL790, VL796-VL805, VL911-VL940, VN016-VN050, VN174-VN190, VN213-VN220, VN223-VN230, VN233-VN240, VN242-VN290, VN301-VN340, VN371-VN650, VN671-VN675, VN681-VN730, VN791-VN810, VN921-VN960, VN966-VN967, VN971-VN990, VR421-VR431, VR461-VR461, VR471-VR471, VS051-VS052, VS061-VS061, VS066-VS070, VS073-VS073, VS091-VS094, VS176-VS177, VS196-VS199, VS206-VS207, VS261-VS262, VS266-VS268, | | |
| 31 | 24 PK | TB0158Y | A004 | 21-51-11 | D04978J | 16 | | L2 | 2 | | VL806-VL810, VL871-VL880, VN968-VN970, VS131-VS132, VL891-VL910, | | |
| 31 | 24 PK | TB0158Y | A004 | 21-51-11 | D04978J | 16 | | L2 | 3 | | VK001-VK009, VK021-VK022, VK031-VK045, VL001-VL006, VL011-VL011, VN001-VN015, VN171-VN173, VN211-VN212, VN231-VN232, VN241-VN241, | | |
| 32 | 24 PK | TB0158Y | C001 | 21-51-11 | D08112J | 15 | | L2 | 3 | | VK010-VK020, VK023-VK030, VK046-VK080, VK131-VK140, VK161-VK190, VL007-VL010, VL012-VL040, VL751-VL790, VL796-VL805, VL911-VL940, VN016-VN050, VN174-VN190, VN213-VN220, VN233-VN240, VN242-VN290, VN301-VN340, VN371-VN633, VN681-VN730, VN791-VN810, VN921-VN960, VN966-VN967, VN971-VN990, VR421-VR421, VR461-VR461, VR471-VR471, VS051-VS052, VS061-VS061, VS066-VS070, VS073-VS073, VS091-VS094, VS176-VS177, VS196-VS199, VS206-VS207, VS261-VS262, VS266-VS268, | | |
| 32 | 24 PK | TB0182X | D011 | 21-51-21 | D04978J | 34 | | L2 | 2 | | VL806-VL810, | | |
| 32 | 24 PK | TB0158Y | C001 | 21-51-11 | D08112J | 15 | | L2 | 2 | | VL871-VL880, VN968-VN970, VS131-VS132, | | |
| 32 | 24 PK | TB0182X | D011 | 21-51-21 | D04978J | 34 | | L2 | 3 | | VL891-VL910, VN221-VN230, VN634-VN650, VN671-VN675, | | |

286T1078-300
Wire Bundle Assembly
Figure 106 (Sheet 16)

25-71-01



BOEING
COMPONENT
MAINTENANCE MANUAL

| WIRE | | FROM EQUIPMENT | | | TO EQUIPMENT | | | WIRE INFO | | | | | |
|--------|----|----------------|---------|------|--------------|----------|---------|-----------|----|---------|----|-------|--|
| NUMBER | GA | TYP | NUMBER | TERM | TT | WDM REF | NUMBER | TERM | TT | EMC/SEP | FT | NOTES | EFFECTIVITY |
| 34 | 24 | PK | TE0158G | 9 | 2 | 21-51-11 | D04978J | 10 | | L2 | 3 | | VK001-VK080, VK131-VK140, VK161-VK190, VL001-VL040, VL751-VL790, VL796-VL805, VL911-VL940, VN001-VN050, VN171-VN190, VN211-VN224, VN231-VN290, VN301-VN340, VN371-VN650, VN671-VN675, VN681-VN730, VN791-VN810, VN921-VN960, VN966-VN967, VN971-VN990, VR421-VR461, VR461, VR471, VR471, VS051-VS052, VS061-VS061, VS066-VS070, VS073-VS073, VS091-VS094, VS176-VS177, VS196-VS199, VS206-VS207, VS261-VS262, VS266-VS268, |
| 34 | 24 | PK | TE0158G | 9 | 2 | 21-51-21 | D04978J | 10 | | L2 | 2 | | VL806-VL810, |
| 34 | 24 | PK | TE0158Y | A006 | BJ | 21-51-11 | D04978J | 10 | | L2 | 2 | | VL871-VL880, |
| 34 | 24 | PK | TE0158G | 9 | 2 | 21-51-21 | D04978J | 10 | | L2 | 3 | | VL891-VL910, |
| 34 | 24 | PK | TE0158G | 9 | 2 | 21-51-21 | D04978J | 10 | | L2 | 3 | | VN225-VN230, |
| 34 | 24 | PK | TE0158G | 9 | 2 | 21-51-11 | D04978J | 10 | | L2 | 2 | | VN968-VN970, VS131-VS132, |
| 35 | 24 | PK | D08068J | 48 | | 21-51-11 | TE0158Y | C006 | BJ | L2 | 3 | | VK001-VK080, VK131-VK140, VK161-VK190, VL001-VL040, VL751-VL790, VL796-VL805, VL891-VL940, VN001-VN050, VN171-VN190, VN211-VN290, VN301-VN340, VN371-VN650, VN671-VN675, VN681-VN730, VN791-VN810, VN921-VN960, VN966-VN967, VN971-VN990, VR421-VR461, VR461, VR471, VR471, VS051-VS052, VS061-VS061, VS066-VS070, VS073-VS073, VS091-VS094, VS176-VS177, VS196-VS199, VS206-VS207, VS261-VS262, VS266-VS268, |
| 35 | 24 | PK | D08068J | 48 | | 21-51-11 | TE0158Y | C006 | BJ | L2 | 2 | | VL806-VL810, VL871-VL880, VN968-VN970, VS131-VS132, |
| 36 | 22 | PA | TE0182Y | C004 | BJ | 21-51-11 | D04978J | 23 | | L2 | 3 | | VK001-VK054, VK131-VK140, VK181-VK190, VL001-VL010, VL751-VL790, VL911-VL930, VN001-VN015, VN231-VN240, VN301-VN340, VN471-VN490, VN791-VN810, VN921-VN930, VN951-VN960, VR461-VR461, VS051-VS052, VS261-VS262, |
| 36 | 22 | PA | TE0158Y | A006 | BJ | 21-51-11 | D04978J | 23 | | L2 | 3 | | VK055-VK080, VK171-VK180, VL931-VL940, VN016-VN050, VN681-VN730, VN931-VN950, VR421-VR421, VR471-VR471, VS196-VS199, VS206-VS207, |
| 36 | 22 | PA | SM00009 | | W | 21-51-11 | D04978J | 23 | | L2 | 2 | | VK161-VK170, VL011-VL040, VL796-VL805, VN211-VN220, VN241-VN250, VN371-VN470, VN531-VN633, VN966-VN967, VN971-VN990, VS176-VS177, |

286T1078-300
Wire Bundle Assembly
Figure 106 (Sheet 17)

25-71-01

TESTING & FAULT ISOLATION
01 Page 116S

Nov 01/02



COMPONENT
MAINTENANCE MANUAL

| WIRE | | FROM EQUIPMENT | | | | TO EQUIPMENT | | | | WIRE INFO | | | |
|--------|--------|----------------|---------|----------|---------|--------------|---------|----|------------------|---|--|--|--|
| NUMBER | GA TYP | NUMBER | TERM TT | WDM REF | NUMBER | TERM TT | EMC/SEP | FT | NOTES | EFFECTIVITY | | | |
| 36 | 24 PK | TB0158G | 9 | 21-51-21 | D04978J | 23 | L2 | 2 | | VL806-VL810, | | | |
| 36 | 22 PA | SM00009 | W | 21-51-11 | D04978J | 23 | L2 | 1 | | VL871-VL880, VN968-VN970, VS131-VS132, | | | |
| 36 | 24 PK | TB0158G | 9 | 21-51-21 | D04978J | 23 | L2 | 3 | | VL891-VL910, VN221-VN230, VN634-VN650, VN671-VN675, | | | |
| 36 | 22 PA | TB0158Y | A006 BJ | 21-51-11 | D04978J | 23 | L2 | 4 | | VN171-VN190, VN251-VN290, VS061-VS061, VS066-VS070, VS073-VS073, VS266-VS268, | | | |
| 36 | 22 PA | TB0182Y | C014 BJ | 21-51-11 | D04978J | 23 | L2 | 3 | | VN491-VN530, VS091-VS094, | | | |
| 38 | 24 PK | D03738 | 24 | 21-51-23 | D08068J | 45 | L2 | 3 | | VK001-VK080, VK131-VK140, VK161-VK190, VL001-VL040, VL1751-VL790, VL796-VL805, VL891-VL940, VN001-VN050, VN171-VN190, VN211-VN290, VN301-VN340, VN371-VN650, VN671-VN675, VN681-VN730, VN791-VN810, VN921-VN960, VN966-VN967, VN971-VN990, VR421-VR421, VR461-VR461, VR471-VR471, VS051-VS052, VS061-VS061, VS066-VS070, VS073-VS073, VS091-VS094, VS176-VS177, VS196-VS199, VS206-VS207, VS261-VS262, VS266-VS268, | | | |
| 38 | 24 PK | D03738 | 24 | 21-51-23 | D08068J | 45 | L2 | 2 | | VL806-VL810, VL871-VL880, VN968-VN970, VS131-VS132, | | | |
| 39 | 22 PA | TB0158G | 13 | 21-51-11 | D04978J | 22 | L2 | 3 | | VK001-VK009, VK021-VK022, VK031-VK045, VL001-VL006, VN001-VN015, VN171-VN173, VN231-VN232, | | | |
| 39 | 22 PA | TB0158Y | A001 BJ | 21-51-11 | D04978J | 22 | L2 | 4 | | VK010-VK020, VK023-VK030, VK046-VK080, VK131-VK140, VK171-VK190, VL007-VL010, VL751-VL790, VL911-VL940, VN016-VN050, VN174-VN190, VN233-VN240, VN251-VN290, VN301-VN340, VN471-VN530, VN681-VN730, VN791-VN810, VN921-VN960, VR421-VR421, VR461-VR461, VR471-VR471, VS051-VS052, VS061-VS061, VS066-VS070, VS073-VS073, VS091-VS094, VS196-VS199, VS206-VS207, VS261-VS262, VS266-VS268, | | | |
| 39 | 22 PA | SM00010 | W | 21-51-11 | D04978J | 22 | L2 | 2 | MZF-F2 ZSZ-B6 | VK161-VK161, VN371-VN372, VN382-VN383, | | | |
| 39 | 22 PA | SM00010 | W | 21-51-11 | D04978J | 22 | L2 | 2 | | VK162-VK170, VL011-VL040, VL796-VL805, VN213-VN220, VN241-VN250, VN373-VN381, VN384-VN470, VN531-VN630, VN966-VN967, VN971-VN990, VS176-VS177, | | | |
| 39 | 22 PA | SM00010 | W | 21-51-11 | D04978J | 22 | L2 | 1 | | VL871-VL880, VN968-VN970, VS131-VS132, | | | |
| 39 | 22 PA | SM00010 | 9 | 21-51-11 | D04978J | 22 | L2 | 2 | | VN211-VN212, | | | |
| 39 | 22 PA | SM00010 | W | 21-51-11 | D04978J | 22 | L2 | 2 | MZK-F2 | VN631-VN633, | | | |

286T1078-300
Wire Bundle Assembly
Figure 106 (Sheet 18)

25-71-01



BOEING
COMPONENT
MAINTENANCE MANUAL

| WIRE | | | FROM EQUIPMENT | | | TO EQUIPMENT | | | WIRE INFO | | | | |
|--------|----|-----|----------------|------|----|--------------|---------|------|-----------|---------|----|-------|--|
| NUMBER | GA | TYP | NUMBER | TERM | TT | WDM REF | NUMBER | TERM | TT | EMC/SEP | FT | NOTES | EFFECTIVITY |
| 40 | 24 | PK | D03742 | 1 | | 21-25-11 | D04978J | 2 | | L2 | 3 | | VK001-VK080, VK131-VK140, VK161-VK190, VL001-VL040, VL751-VL790, VL796-VL805, VL891-VL940, VN001-VN050, VN171-VN190, VN211-VN290, VN301-VN340, VN371-VN650, VN671-VN675, VN681-VN730, VN791-VN810, VN921-VN960, VN966-VN967, VN971-VN990, VR421-VR421, VR461-VR461, VR471-VR471, VS051-VS052, VS061-VS061, VS066-VS070, VS073-VS073, VS091-VS094, VS176-VS177, VS196-VS199, VS206-VS207, VS261-VS262, VS266-VS268, |
| 40 | 24 | PK | D03742 | 1 | | 21-25-11 | D04978J | 2 | | L2 | 2 | | VL806-VL810, VL871-VL880, VN968-VN970, VS131-VS132, |
| 41 | 22 | PA | D03742 | 3 | | 21-25-11 | GDX0001 | D.. | 2 | L2 | 3 | | VK001-VK080, VK131-VK140, VK161-VK190, VL001-VL040, VL751-VL790, VL796-VL805, VL891-VL940, VN001-VN050, VN171-VN190, VN211-VN290, VN301-VN340, VN371-VN650, VN671-VN675, VN681-VN730, VN791-VN810, VN921-VN960, VN966-VN967, VN971-VN990, VR421-VR421, VR461-VR461, VR471-VR471, VS051-VS052, VS061-VS061, VS066-VS070, VS073-VS073, VS091-VS094, VS176-VS177, VS196-VS199, VS206-VS207, VS261-VS262, VS266-VS268, |
| 41 | 22 | PA | D03742 | 3 | | 21-25-11 | GDX0001 | D.. | 2 | L2 | 2 | | VL806-VL810, VL871-VL880, VN968-VN970, VS131-VS132, |
| 42 | 24 | PK | D03742 | 24 | | 21-25-11 | D04978J | 1 | | L2 | 3 | | VK001-VK080, VK131-VK140, VK161-VK190, VL001-VL040, VL751-VL790, VL796-VL805, VL891-VL940, VN001-VN050, VN171-VN190, VN211-VN290, VN301-VN340, VN371-VN650, VN671-VN675, VN681-VN730, VN791-VN810, VN921-VN960, VN966-VN967, VN971-VN990, VR421-VR421, VR461-VR461, VR471-VR471, VS051-VS052, VS061-VS061, VS066-VS070, VS073-VS073, VS091-VS094, VS176-VS177, VS196-VS199, VS206-VS207, VS261-VS262, VS266-VS268, |
| 42 | 24 | PK | D03742 | 24 | | 21-25-11 | D04978J | 1 | | L2 | 2 | | VL806-VL810, VL871-VL880, VN968-VN970, VS131-VS132, |

286T1078-300
Wire Bundle Assembly
Figure 106 (Sheet 19)

25-71-01

| WIRE | | | FROM EQUIPMENT | | | TO EQUIPMENT | | | WIRE INFO | | | | |
|--------|----|-----|----------------|------|----|--------------|---------|------|-----------|---------|----|-------|--|
| NUMBER | CA | TYP | NUMBER | TERM | TT | WDM REF | NUMBER | TERM | TT | EMC/SEP | FT | NOTES | EFFECTIVITY |
| 43 | 22 | PA | D03742 | 4 | | 21-25-11 | GDX0001 | D.. | 2 | L2 | 3 | | VK001-VK080, VK131-VK140, VK161-VK190, VL001-VL040, VL751-VL790, VL796-VL805, VL891-VL940, VN001-VN050, VNI171-VN190, VN211-VN290, VN301-VN340, VN371-VN650, VNI171-VN675, VN681-VN730, VN791-VN810, VN921-VN960, VN966-VN967, VN971-VN990, VR421-VR421, VR461-VR461, VR471-VR471, VS051-VS052, VS061-VS061, VS066-VS070, VS073-VS073, VS091-VS094, VS176-VS177, VS196-VS199, VS206-VS207, VS261-VS262, VS266-VS268, |
| 43 | 22 | PA | D03742 | 4 | | 21-25-11 | GDX0001 | D.. | 2 | L2 | 2 | | VL806-VL810, VL871-VL880, VN968-VN970, VS131-VS132, |
| 44 | 24 | PK | D03742 | 22 | | 21-25-11 | D04978J | 3 | | L2 | 3 | | VK001-VK080, VK131-VK140, VK161-VK190, VL001-VL040, VL751-VL790, VL796-VL805, VL891-VL940, VN001-VN050, VNI171-VN190, VN211-VN290, VN301-VN340, VN371-VN650, VNI171-VN675, VN681-VN730, VN791-VN810, VN921-VN960, VN966-VN967, VN971-VN990, VR421-VR421, VR461-VR461, VR471-VR471, VS051-VS052, VS061-VS061, VS066-VS070, VS073-VS073, VS091-VS094, VS176-VS177, VS196-VS199, VS206-VS207, VS261-VS262, VS266-VS268, |
| 44 | 24 | PK | D03742 | 22 | | 21-25-11 | D04978J | 3 | | L2 | 2 | | VL806-VL810, VL871-VL880, VN968-VN970, VS131-VS132, |
| 45 | 24 | PK | D03742 | 23 | | 21-25-11 | D04978J | 4 | | L2 | 3 | | VK001-VK080, VK131-VK140, VK161-VK190, VL001-VL040, VL751-VL790, VL796-VL805, VL891-VL940, VN001-VN050, VNI171-VN190, VN211-VN290, VN301-VN340, VN371-VN650, VNI171-VN675, VN681-VN730, VN791-VN810, VN921-VN960, VN966-VN967, VN971-VN990, VR421-VR421, VR461-VR461, VR471-VR471, VS051-VS052, VS061-VS061, VS066-VS070, VS073-VS073, VS091-VS094, VS176-VS177, VS196-VS199, VS206-VS207, VS261-VS262, VS266-VS268, |
| 45 | 24 | PK | D03742 | 23 | | 21-25-11 | D04978J | 4 | | L2 | 2 | | VL806-VL810, VL871-VL880, VN968-VN970, VS131-VS132, |

 286T1078-300
 Wire Bundle Assembly
 Figure 106 (Sheet 20)

25-71-01

 TESTING & FAULT ISOLATION
 01
 Page 116V
 Nov 01/02



BOEING
COMPONENT
MAINTENANCE MANUAL

| WIRE | | | FROM EQUIPMENT | | | TO EQUIPMENT | | | WIRE INFO | | | | |
|--------|----|-----|----------------|------|----|--------------|---------|------|-----------|---------|----|-------|--|
| NUMBER | GA | TYP | NUMBER | TERM | TT | WDM REF | NUMBER | TERM | TT | EMC/SEP | FT | NOTES | EFFECTIVITY |
| 46 | 24 | PK | D03742 | 7 | | 21-26-11 | D08068J | 50 | | L2 | 3 | | VK001-VK080, VK131-VK140, VK161-VK190, VL001-VL040, VL751-VL790, VL796-VL805, VL891-VL940, VN001-VN050, VN171-VN190, VN211-VN290, VN301-VN340, VN371-VN650, VN671-VN675, VN681-VN730, VN791-VN810, VN921-VN960, VN966-VN967, VN971-VN990, VR421-VR421, VR461-VR461, VR471-VR471, VS051-VS052, VS061-VS061, VS066-VS070, VS073-VS073, VS091-VS094, VS176-VS177, VS196-VS199, VS206-VS207, VS261-VS262, VS266-VS268, |
| 46 | 24 | PK | D03742 | 7 | | 21-26-11 | D08068J | 50 | | L2 | 2 | | VL806-VL810, VL871-VL880, VN968-VN970, VS131-VS132, |
| 47 | 22 | PA | D03742 | 9 | | 21-26-11 | GDX0001 | D.. | 2 | L2 | 3 | | VK001-VK080, VK131-VK140, VK161-VK190, VL001-VL040, VL751-VL790, VL796-VL805, VL891-VL940, VN001-VN050, VN171-VN190, VN211-VN290, VN301-VN340, VN371-VN650, VN671-VN675, VN681-VN730, VN791-VN810, VN921-VN960, VN966-VN967, VN971-VN990, VR421-VR421, VR461-VR461, VR471-VR471, VS051-VS052, VS061-VS061, VS066-VS070, VS073-VS073, VS091-VS094, VS176-VS177, VS196-VS199, VS206-VS207, VS261-VS262, VS266-VS268, |
| 47 | 22 | PA | D03742 | 9 | | 21-26-11 | GDX0001 | D.. | 2 | L2 | 2 | | VL806-VL810, VL871-VL880, VN968-VN970, VS131-VS132, |
| 48 | 24 | PK | D03742 | 28 | | 21-26-11 | D08068J | 15 | | L2 | 3 | | VK001-VK080, VK131-VK140, VK161-VK190, VL001-VL040, VL751-VL790, VL796-VL805, VL891-VL940, VN001-VN050, VN171-VN190, VN211-VN290, VN301-VN340, VN371-VN650, VN671-VN675, VN681-VN730, VN791-VN810, VN921-VN960, VN966-VN967, VN971-VN990, VR421-VR421, VR461-VR461, VR471-VR471, VS051-VS052, VS061-VS061, VS066-VS070, VS073-VS073, VS091-VS094, VS176-VS177, VS196-VS199, VS206-VS207, VS261-VS262, VS266-VS268, |
| 48 | 24 | PK | D03742 | 28 | | 21-26-11 | D08068J | 15 | | L2 | 2 | | VL806-VL810, VL871-VL880, VN968-VN970, VS131-VS132, |

286T1078-300
Wire Bundle Assembly
Figure 106 (Sheet 21)

25-71-01

| WIRE | | | FROM EQUIPMENT | | | TO EQUIPMENT | | | WIRE INFO | | | | |
|--------|----|-----|----------------|------|----|--------------|---------|------|-----------|-------------|----|-------|--|
| NUMBER | GA | TYP | NUMBER | TERM | TT | WDM REF | NUMBER | TERM | TT | EMC/ SEP | FT | NOTES | EFFECTIVITY |
| 49 | 24 | PK | D03742 | 8 | | 21-26-11 | D08068J | 18 | | L2 | 3 | | VK001-VK080, VK131-VK140, VK161-VK190, VL001-VL040, VL751-VL790, VL796-VL805, VL891-VL940, VN001-VN050, VN171-VN190, VN211-VN290, VN301-VN340, VN371-VN650, VN671-VN675, VN681-VN730, VN791-VN810, VN921-VN960, VN966-VN967, VN971-VN990, VR421-VR421, VR461-VR461, VR471-VR471, VS051-VS052, VS061-VS061, VS066-VS070, VS073-VS073, VS091-VS094, VS176-VS177, VS196-VS199, VS206-VS207, VS261-VS262, VS266-VS268, |
| 49 | 24 | PK | D03742 | 8 | | 21-26-11 | D08068J | 18 | | L2 | 2 | | VL806-VL810, VL871-VL880, VN968-VN970, VS131-VS132, |
| 50 | 24 | PK | D03742 | 6 | | 21-26-11 | D08068J | 16 | | L2 | 3 | | VK001-VK080, VK131-VK140, VK161-VK190, VL001-VL040, VL751-VL790, VL796-VL805, VL891-VL940, VN001-VN050, VN171-VN190, VN211-VN290, VN301-VN340, VN371-VN650, VN671-VN675, VN681-VN730, VN791-VN810, VN921-VN960, VN966-VN967, VN971-VN990, VR421-VR421, VR461-VR461, VR471-VR471, VS051-VS052, VS061-VS061, VS066-VS070, VS073-VS073, VS091-VS094, VS176-VS177, VS196-VS199, VS206-VS207, VS261-VS262, VS266-VS268, |
| 50 | 24 | PK | D03742 | 6 | | 21-26-11 | D08068J | 16 | | L2 | 2 | | VL806-VL810, VL871-VL880, VN968-VN970, VS131-VS132, |
| 51 | 24 | PK | D03742 | 27 | | 21-26-11 | D08068J | 19 | | L2 | 3 | | VK001-VK080, VK131-VK140, VK161-VK190, VL001-VL040, VL751-VL790, VL796-VL805, VL891-VL940, VN001-VN050, VN171-VN190, VN211-VN290, VN301-VN340, VN371-VN650, VN671-VN675, VN681-VN730, VN791-VN810, VN921-VN960, VN966-VN967, VN971-VN990, VR421-VR421, VR461-VR461, VR471-VR471, VS051-VS052, VS061-VS061, VS066-VS070, VS073-VS073, VS091-VS094, VS176-VS177, VS196-VS199, VS206-VS207, VS261-VS262, VS266-VS268, |
| 51 | 24 | PK | D03742 | 27 | | 21-26-11 | D08068J | 19 | | L2 | 2 | | VL806-VL810, VL871-VL880, VN968-VN970, VS131-VS132, |

 286T1078-300
 Wire Bundle Assembly
 Figure 106 (Sheet 22)

25-71-01

 TESTING & FAULT ISOLATION
 01
 Page 116X
 Nov 01/02



BOEING
COMPONENT
MAINTENANCE MANUAL

| WIRE | | | FROM EQUIPMENT | | | TO EQUIPMENT | | | WIRE INFO | | | | |
|--------|----|-----|----------------|------|----|--------------|---------|------|-----------|---------|----|-------|---|
| NUMBER | GA | TYP | NUMBER | TERM | TT | WDM REF | NUMBER | TERM | TT | EMC/SEP | FT | NOTES | EFFECTIVITY |
| 52 | 24 | PK | D03742 | 36 | | 21-26-11 | TB0158F | A017 | 2 | L2 | 4 | | VK001-VK080, VK131-VK140, VK161-VK190, VL001-VL040, VL751-VL790, VL796-VL805, VL891-VL940, VN001-VN050, VNI171-VN190, VN211-VN290, VN301-VN340, VN371-VN650, VN671-VN675, VN681-VN730, VN791-VN810, VN921-VN960, VN966-VN967, VN971-VN990, VR421-VR421, VR461-VR461, VR471-VR471, VS051-VS052, VS061-VS061, VS066-VS070, VS073-VS073, VS091-VS094, VS176-VS177, VS196-VS199, VS206-VS207, VS261-VS262, VS266-VS268, |
| 52 | 24 | PK | D03742 | 36 | | 21-26-11 | TB0158F | A017 | 2 | L2 | 3 | | VL806-VL810, VL871-VL880, VN968-VN970, VS131-VS132, VK001-VK080, VK131-VK140, VK161-VK190, VL001-VL040, VL751-VL790, VL796-VL805, VL891-VL940, VN001-VN050, VNI171-VN190, VN211-VN290, VN301-VN340, VN371-VN650, VN671-VN675, VN681-VN730, VN791-VN810, VN921-VN960, VN966-VN967, VN971-VN990, VR421-VR421, VR461-VR461, VR471-VR471, VS051-VS052, VS061-VS061, VS066-VS070, VS073-VS073, VS091-VS094, VS176-VS177, VS196-VS199, VS206-VS207, VS261-VS262, VS266-VS268, |
| 53 | 24 | PK | D03742 | 13 | | 21-58-14 | D08112J | 33 | | L2 | 4 | | VL806-VL810, VL871-VL880, VN968-VN970, VS131-VS132, VK001-VK080, VK131-VK140, VK161-VK190, VL001-VL040, VL751-VL790, VL796-VL805, VL891-VL940, VN001-VN050, VNI171-VN190, VN211-VN290, VN301-VN340, VN371-VN650, VN671-VN675, VN681-VN730, VN791-VN810, VN921-VN960, VN966-VN967, VN971-VN990, VR421-VR421, VR461-VR461, VR471-VR471, VS051-VS052, VS061-VS061, VS066-VS070, VS073-VS073, VS091-VS094, VS176-VS177, VS196-VS199, VS206-VS207, VS261-VS262, VS266-VS268, |
| 54 | 22 | PA | D03742 | 15 | | 21-58-14 | GDX0001 | D.. | 2 | L2 | 3 | | VL806-VL810, VL871-VL880, VN968-VN970, VS131-VS132, VK001-VK080, VK131-VK140, VK161-VK190, VL001-VL040, VL751-VL790, VL796-VL805, VL891-VL940, VN001-VN050, VNI171-VN190, VN211-VN290, VN301-VN340, VN371-VN650, VN671-VN675, VN681-VN730, VN791-VN810, VN921-VN960, VN966-VN967, VN971-VN990, VR421-VR421, VR461-VR461, VR471-VR471, VS051-VS052, VS061-VS061, VS066-VS070, VS073-VS073, VS091-VS094, VS176-VS177, VS196-VS199, VS206-VS207, VS261-VS262, VS266-VS268, |
| 54 | 22 | PA | D03742 | 15 | | 21-58-14 | GDX0001 | D.. | 2 | L2 | 2 | | VL806-VL810, VL871-VL880, VN968-VN970, VS131-VS132, VK001-VK080, VK131-VK140, VK161-VK190, VL001-VL040, VL751-VL790, VL796-VL805, VL891-VL940, VN001-VN050, VNI171-VN190, VN211-VN290, VN301-VN340, VN371-VN650, VN671-VN675, VN681-VN730, VN791-VN810, VN921-VN960, VN966-VN967, VN971-VN990, VR421-VR421, VR461-VR461, VR471-VR471, VS051-VS052, VS061-VS061, VS066-VS070, VS073-VS073, VS091-VS094, VS176-VS177, VS196-VS199, VS206-VS207, VS261-VS262, VS266-VS268, |
| 55 | 24 | PK | D03742 | 12 | | 21-58-14 | D08068J | 46 | | L2 | 3 | | VL806-VL810, VL871-VL880, VN968-VN970, VS131-VS132, VK001-VK080, VK131-VK140, VK161-VK190, VL001-VL040, VL751-VL790, VL796-VL805, VL891-VL940, VN001-VN050, VNI171-VN190, VN211-VN290, VN301-VN340, VN371-VN650, VN671-VN675, VN681-VN730, VN791-VN810, VN921-VN960, VN966-VN967, VN971-VN990, VR421-VR421, VR461-VR461, VR471-VR471, VS051-VS052, VS061-VS061, VS066-VS070, VS073-VS073, VS091-VS094, VS176-VS177, VS196-VS199, VS206-VS207, VS261-VS262, VS266-VS268, |

286T1078-300
Wire Bundle Assembly
Figure 106 (Sheet 23)

25-71-01

TESTING & FAULT ISOLATION
01 Page 116Y
Nov 01/02

| WIRE | | FROM EQUIPMENT | | | TO EQUIPMENT | | | WIRE INFO | | | | | |
|--------|----|----------------|---------|------|--------------|----------|---------|-----------|----|---------|----|-------|---|
| NUMBER | GA | TYP | NUMBER | TERM | TT | WDM REF | NUMBER | TERM | TT | EMC/SEP | FT | NOTES | EFFECTIVITY |
| 55 | 24 | PK | TB0158G | 27 | 2 | 21-58-14 | D08068J | 46 | | L2 | 2 | | VK004-VK080, VK131-VK140, VK161-VK190, VL001-VL040, VL751-VL790, VL796-VL805, VL891-VL930, VN001-VN050, VNI171-VN190, VN211-VN220, VN231-VN290, VN301-VN340, VN371-VN490, VN531-VN650, VN791-VN810, VN921-VN930, VN951-VN960, VR421-VR461, VR461-VR471, VR471-VR471, VS051-VS052, VS061-VS061, VS066-VS070, VS073-VS073, VS176-VS177, VS196-VS199, VS261-VS262, VS266-VS268, |
| 55 | 24 | PK | TB0158G | 27 | 2 | 21-58-14 | D08068J | 46 | | L2 | 2 | | VL806-VL810, VL871-VL880, VS091-VS094, |
| 55 | 24 | PK | TB0158Y | A002 | BJ | 21-58-14 | D08068J | 46 | | L2 | 3 | | VL931-VL940, VN223-VN230, VN491-VN530, VN671-VN675, VN681-VN730, VN931-VN950, VN966-VN967, VN971-VN990, VS206-VS207, |
| 55 | 24 | PK | TB0158Y | C014 | BJ | 21-58-14 | D08068J | 46 | | L2 | 3 | | VN221-VN222, |
| 55 | 24 | PK | TB0158Y | A002 | BJ | 21-58-14 | D08068J | 46 | | L2 | 2 | | VN968-VN970, VS131-VS132, |
| 56 | 24 | PK | D03742 | 33 | | 21-58-14 | D08112J | 10 | | L2 | 3 | | VK001-VK080, VK131-VK140, VK161-VK190, VL001-VL040, VL751-VL790, VL796-VL805, VL891-VL940, VN001-VN050, VNI171-VN190, VN211-VN290, VN301-VN340, VN371-VN650, VN671-VN675, VN681-VN730, VN791-VN810, VN921-VN960, VN966-VN967, VN971-VN990, VR421-VR421, VR461-VR461, VR471-VR471, VS051-VS052, VS061-VS061, VS066-VS070, VS073-VS073, VS091-VS094, VS176-VS177, VS196-VS199, VS206-VS207, VS261-VS262, VS266-VS268, |
| 56 | 24 | PK | D03742 | 33 | | 21-58-14 | D08112J | 10 | | L2 | 2 | | VL806-VL810, VL871-VL880, VN968-VN970, VS131-VS132, |
| 57 | 24 | PK | D03742 | 11 | | 21-58-14 | D08112J | 8 | | L2 | 3 | | VK001-VK080, VK131-VK140, VK161-VK190, VL001-VL040, VL751-VL790, VL796-VL805, VL891-VL940, VN001-VN050, VNI171-VN190, VN211-VN290, VN301-VN340, VN371-VN650, VN671-VN675, VN681-VN730, VN791-VN810, VN921-VN960, VN966-VN967, VN971-VN990, VR421-VR421, VR461-VR461, VR471-VR471, VS051-VS052, VS061-VS061, VS066-VS070, VS073-VS073, VS091-VS094, VS176-VS177, VS196-VS199, VS206-VS207, VS261-VS262, VS266-VS268, |
| 57 | 24 | PK | D03742 | 11 | | 21-58-14 | D08112J | 8 | | L2 | 2 | | VL806-VL810, VL871-VL880, VN968-VN970, VS131-VS132, |

 286T1078-300
 Wire Bundle Assembly
 Figure 106 (Sheet 24)

25-71-01



BOEING
COMPONENT
MAINTENANCE MANUAL

| WIRE | | | FROM EQUIPMENT | | | TO EQUIPMENT | | | WIRE INFO | | | | |
|--------|----|-----|----------------|------|----|--------------|---------|------|-----------|---------|----|-------|--|
| NUMBER | GA | TYP | NUMBER | TERM | TT | WDM REF | NUMBER | TERM | TT | EMC/SEP | FT | NOTES | EFFECTIVITY |
| 58 | 24 | PK | D03742 | 32 | | 21-58-14 | D08112J | 11 | | L2 | 3 | | VK001-VK080, VK131-VK140, VK161-VK190, VL001-VL040, VL751-VL790, VL796-VL805, VL891-VL940, VN001-VN050, VN171-VN190, VN211-VN290, VN301-VN340, VN371-VN650, VN671-VN675, VN681-VN730, VN791-VN810, VN921-VN960, VN966-VN967, VN971-VN990, VR421-VR421, VR461-VR461, VR471-VR471, VS051-VS052, VS061-VS061, VS066-VS070, VS073-VS073, VS091-VS094, VS176-VS177, VS196-VS199, VS206-VS207, VS261-VS262, VS266-VS268, |
| 58 | 24 | PK | D03742 | 32 | | 21-58-14 | D08112J | 11 | | L2 | 2 | | VL806-VL810, VL871-VL880, VN968-VN970, VS131-VS132, |
| 59 | 24 | PK | D03742 | 14 | | 21-58-14 | TB0158F | C017 | 2 | L2 | 4 | | VK001-VK080, VK131-VK140, VK161-VK190, VL001-VL040, VL751-VL790, VL796-VL805, VL891-VL940, VN001-VN050, VN171-VN190, VN211-VN290, VN301-VN340, VN371-VN650, VN671-VN675, VN681-VN730, VN791-VN810, VN921-VN960, VN966-VN967, VN971-VN990, VR421-VR421, VR461-VR461, VR471-VR471, VS051-VS052, VS061-VS061, VS066-VS070, VS073-VS073, VS091-VS094, VS176-VS177, VS196-VS199, VS206-VS207, VS261-VS262, VS266-VS268, |
| 59 | 24 | PK | D03742 | 14 | | 21-58-14 | TB0158F | C017 | 2 | L2 | 3 | | VL806-VL810, VL871-VL880, VN968-VN970, VS131-VS132, |
| 60 | 24 | PK | D03742 | 31 | | 21-58-14 | D08112J | 7 | | L2 | 3 | | VK001-VK003, |
| 61 | 24 | PK | D01886 | 5 | | 36-11-51 | D08112J | 28 | | L2 | 3 | | VK001-VK080, VK131-VK140, VK161-VK190, VL001-VL040, VL751-VL790, VL796-VL805, VL891-VL940, VN001-VN050, VN171-VN190, VN211-VN290, VN301-VN340, VN371-VN650, VN671-VN675, VN681-VN730, VN791-VN810, VN921-VN960, VN966-VN967, VN971-VN990, VR421-VR421, VR461-VR461, VR471-VR471, VS051-VS052, VS061-VS061, VS066-VS070, VS073-VS073, VS091-VS094, VS176-VS177, VS196-VS199, VS206-VS207, VS261-VS262, VS266-VS268, |
| 61 | 24 | PK | D01886 | 5 | | 36-11-51 | D08112J | 28 | | L2 | 2 | | VL806-VL810, VN968-VN970, VS131-VS132, |

286T1078-300
Wire Bundle Assembly
Figure 106 (Sheet 25)

25-71-01

TESTING & FAULT ISOLATION

01

Page 117

Nov 01/02



COMPONENT
MAINTENANCE MANUAL

| WIRES | | FROM EQUIPMENT | | | TO EQUIPMENT | | | WIRE INFO | | |
|--------|--------|----------------|---------|----------|--------------|---------|---------|-----------|-------|--|
| NUMBER | GA TYP | NUMBER | TERM TT | WDM REF | NUMBER | TERM TT | EMC/SEP | FT | NOTES | EFFECTIVITY |
| 62 | 24 PK | D03742 | 35 | 21-26-11 | D08112J | 13 | L2 | 3 | | VK001-VK080, VK131-VK140, VK161-VK190, VL001-VL040, VL751-VL790, VL796-VL805, VL891-VL940, VN001-VN050, VN171-VN190, VN211-VN290, VN301-VN340, VN371-VN650, VN671-VN675, VN681-VN730, VN791-VN810, VN921-VN960, VN966-VN967, VN971-VN990, VR421-VR421, VR461-VR461, VR471-VR471, VS051-VS052, VS061-VS061, VS066-VS070, VS073-VS073, VS091-VS094, VS176-VS177, VS196-VS199, VS206-VS207, VS261-VS262, VS266-VS268, |
| 62 | 24 PK | D03742 | 35 | 21-26-11 | D08112J | 13 | L2 | 2 | | VL806-VL810, VL871-VL880, VN968-VN970, VS131-VS132, |
| 63 | 24 PK | TB0158F | C020 | 21-58-14 | D03742 | 38 | L2 | 4 | | VK001-VK080, VK131-VK140, VK161-VK190, VL001-VL040, VL751-VL790, VL796-VL805, VL891-VL940, VN001-VN050, VN171-VN190, VN211-VN290, VN301-VN340, VN371-VN650, VN671-VN675, VN681-VN730, VN791-VN810, VN921-VN960, VN966-VN967, VN971-VN990, VR421-VR421, VR461-VR461, VR471-VR471, VS051-VS052, VS061-VS061, VS066-VS070, VS073-VS073, VS091-VS094, VS176-VS177, VS196-VS199, VS206-VS207, VS261-VS262, VS266-VS268, |
| 63 | 24 PK | TB0158F | C020 | 21-58-14 | D03742 | 38 | L2 | 3 | | VL806-VL810, VL871-VL880, VN968-VN970, VS131-VS132, |
| 64 | 24 PK | D03738 | 19 | 21-53-22 | D04978J | 30 | L2 | 3 | | VK001-VK080, VK131-VK140, VK161-VK190, VL001-VL040, VL751-VL790, VL796-VL805, VL891-VL940, VN001-VN050, VN171-VN190, VN211-VN290, VN301-VN340, VN371-VN650, VN671-VN675, VN681-VN730, VN791-VN810, VN921-VN960, VN966-VN967, VN971-VN990, VR421-VR421, VR461-VR461, VR471-VR471, VS051-VS052, VS061-VS061, VS066-VS070, VS073-VS073, VS091-VS094, VS176-VS177, VS196-VS199, VS206-VS207, VS261-VS262, VS266-VS268, |
| 64 | 24 PK | D03738 | 19 | 21-53-22 | D04978J | 30 | L2 | 2 | | VL806-VL810, VL871-VL880, VN968-VN970, VS131-VS132, |

286T1078-300
Wire Bundle Assembly
Figure 106 (Sheet 26)

25-71-01



COMPONENT
MAINTENANCE MANUAL

| WIRE | | FROM EQUIPMENT | | | TO EQUIPMENT | | | WIRE INFO | | |
|--------|--------|----------------|---------|----------|--------------|---------|----------|-----------|-------|---|
| NUMBER | GA TYP | NUMBER | TERM TT | WDM REF | NUMBER | TERM TT | EMC/ SEP | FT | NOTES | EFFECTIVITY |
| 65 | 22 PA | D03738 | 21 | 21-53-22 | GDX0001 | D.. | L2 | 3 | | VK001-VK080, VK131-VK140, VK161-VK190, VL001-VL040, VL751-VL790, VL796-VL805, VL891-VL940, VN001-VN050, VNI71-VN190, VN211-VN290, VN301-VN340, VN371-VN650, VN671-VN675, VN681-VN730, VN791-VN810, VN921-VN960, VN966-VN967, VN971-VN990, VR421-VR461, VR461-VR471-VR471, VS051-VS052, VS061-VS061, VS066-VS070, VS073-VS073, VS091-VS094, VS176-VS177, VS196-VS199, VS206-VS207, VS261-VS262, VS266-VS268, |
| 65 | 22 PA | D03738 | 21 | 21-53-22 | GDX0001 | D.. | L2 | 2 | | VL806-VL810, VL871-VL880, VN968-VN970, VS131-VS132, |
| 66 | 24 PK | D03738 | 6 | 21-53-22 | D04978J | 25 | L2 | 3 | | VK001-VK080, VK131-VK140, VK161-VK190, VL001-VL040, VL751-VL790, VL796-VL805, VL891-VL940, VN001-VN050, VNI71-VN190, VN211-VN290, VN301-VN340, VN371-VN650, VN671-VN675, VN681-VN730, VN791-VN810, VN921-VN960, VN966-VN967, VN971-VN990, VR421-VR461, VR461-VR471-VR471, VS051-VS052, VS061-VS061, VS066-VS070, VS073-VS073, VS091-VS094, VS176-VS177, VS196-VS199, VS206-VS207, VS261-VS262, VS266-VS268, |
| 66 | 24 PK | D03738 | 6 | 21-53-22 | D04978J | 25 | L2 | 2 | | VL806-VL810, VL871-VL880, VN968-VN970, VS131-VS132, |
| 67 | 24 PK | D03738 | 3 | 21-53-22 | TB0182X | C011 BJ | L2 | 4 | | VK001-VK080, VK131-VK140, VK161-VK190, VL001-VL040, VL751-VL790, VL796-VL805, VL891-VL940, VN001-VN050, VNI71-VN190, VN211-VN290, VN301-VN340, VN371-VN650, VN671-VN675, VN681-VN730, VN791-VN810, VN921-VN960, VN966-VN967, VN971-VN990, VR421-VR461, VR461-VR471-VR471, VS051-VS052, VS061-VS061, VS066-VS070, VS073-VS073, VS091-VS094, VS176-VS177, VS196-VS199, VS206-VS207, VS261-VS262, VS266-VS268, |
| 67 | 24 PK | D03738 | 3 | 21-53-22 | TB0182X | C011 BJ | L2 | 3 | | VL806-VL810, VL871-VL880, VN968-VN970, VS131-VS132, |

286T1078-300
Wire Bundle Assembly
Figure 106 (Sheet 27)

25-71-01

TESTING & FAULT ISOLATION
01 Page 118A
Nov 01/02

| WIRE | | FROM EQUIPMENT | | | TO EQUIPMENT | | | WIRE INFO | | | | | |
|--------|----|----------------|--------|------|--------------|----------|---------|-----------|----|-------------|----|-------|--|
| NUMBER | GA | TYP | NUMBER | TERM | TT | WDM REF | NUMBER | TERM | TT | EMC/ SEP | FT | NOTES | EFFECTIVITY |
| 68 | 24 | PK | D03738 | 37 | | 21-53-22 | D04978J | 27 | | L2 | 3 | | VK001-VK080, VK131-VK140, VK161-VK190, VL001-VL040, VL751-VL790, VL796-VL805, VL891-VL940, VN001-VN050, VN171-VN190, VN211-VN290, VN301-VN340, VN371-VN650, VN671-VN675, VN681-VN730, VN791-VN810, VN921-VN960, VN966-VN967, VN971-VN990, VR421-VR421, VR461-VR461, VR471-VR471, VS051-VS052, VS061-VS061, VS066-VS070, VS073-VS073, VS091-VS094, VS176-VS177, VS196-VS199, VS206-VS207, VS261-VS262, VS266-VS268, |
| 68 | 24 | PK | D03738 | 37 | | 21-53-22 | D04978J | 27 | | L2 | 2 | | VL806-VL810, VL871-VL880, VN968-VN970, VS131-VS132, |
| 69 | 24 | PK | D03738 | 36 | | 21-53-22 | D04978J | 28 | | L2 | 3 | | VK001-VK080, VK131-VK140, VK161-VK190, VL001-VL040, VL751-VL790, VL796-VL805, VL891-VL940, VN001-VN050, VN171-VN190, VN211-VN290, VN301-VN340, VN371-VN650, VN671-VN675, VN681-VN730, VN791-VN810, VN921-VN960, VN966-VN967, VN971-VN990, VR421-VR421, VR461-VR461, VR471-VR471, VS051-VS052, VS061-VS061, VS066-VS070, VS073-VS073, VS091-VS094, VS176-VS177, VS196-VS199, VS206-VS207, VS261-VS262, VS266-VS268, |
| 69 | 24 | PK | D03738 | 36 | | 21-53-22 | D04978J | 28 | | L2 | 2 | | VL806-VL810, VL871-VL880, VN968-VN970, VS131-VS132, |
| 70 | 24 | PK | D03738 | 35 | | 21-53-22 | D04978J | 29 | | L2 | 3 | | VK001-VK080, VK131-VK140, VK161-VK190, VL001-VL040, VL751-VL790, VL796-VL805, VL891-VL940, VN001-VN050, VN171-VN190, VN211-VN290, VN301-VN340, VN371-VN650, VN671-VN675, VN681-VN730, VN791-VN810, VN921-VN960, VN966-VN967, VN971-VN990, VR421-VR421, VR461-VR461, VR471-VR471, VS051-VS052, VS061-VS061, VS066-VS070, VS073-VS073, VS091-VS094, VS176-VS177, VS196-VS199, VS206-VS207, VS261-VS262, VS266-VS268, |
| 70 | 24 | PK | D03738 | 35 | | 21-53-22 | D04978J | 29 | | L2 | 2 | | VI806-VL810, VI871-VL880, VN968-VN970, VS131-VS132, |

286T1078-300
Wire Bundle Assembly
Figure 106 (Sheet 28)

25-71-01

TESTING & FAULT ISOLATION
01
Page 118B
Nov 01/02



BOEING
COMPONENT
MAINTENANCE MANUAL

| WIRE | | FROM EQUIPMENT | | | TO EQUIPMENT | | | WIRE INFO | | |
|--------|--------|----------------|---------|----------|--------------|---------|----------|-----------|-------|--|
| NUMBER | GA TYP | NUMBER | TERM TT | WDM REF | NUMBER | TERM TT | EMC/ SEP | FT | NOTES | EFFECTIVITY |
| 71 | 24 PK | D03738 | 8 | 21-53-22 | TE0158F | C012 | L2 | 4 | | VK001-VK080, VK131-VK140, VK161-VK190, VL001-VL040, VL751-VL790, VL796-VL805, VL891-VL940, VN001-VN050, VN171-VN190, VN211-VN290, VN301-VN340, VN371-VN650, VN671-VN675, VN681-VN730, VN791-VN810, VN921-VN960, VN966-VN967, VN971-VN990, VR421-VR421, VR461-VR461, VR471-VR471, VS051-VS052, VS061-VS061, VS066-VS070, VS073-VS073, VS091-VS094, VS176-VS177, VS196-VS199, VS206-VS207, VS261-VS262, VS266-VS268, |
| | 24 PK | D03738 | 8 | 21-53-22 | TE0158F | C012 | L2 | 3 | | VL806-VL810, VL871-VL880, VN968-VN970, VS131-VS132, |
| 72 | 24 PK | D03738 | 4 | 21-53-22 | D08068J | 12 | L2 | 3 | | VK001-VK080, VK131-VK140, VK161-VK190, VL001-VL040, VL751-VL790, VL796-VL805, VL891-VL940, VN001-VN050, VN171-VN190, VN211-VN290, VN301-VN340, VN371-VN650, VN671-VN675, VN681-VN730, VN791-VN810, VN921-VN960, VN966-VN967, VN971-VN990, VR421-VR421, VR461-VR461, VR471-VR471, VS051-VS052, VS061-VS061, VS066-VS070, VS073-VS073, VS091-VS094, VS176-VS177, VS196-VS199, VS206-VS207, VS261-VS262, VS266-VS268, |
| | 24 PK | D03738 | 10 | 21-53-22 | D08068J | 13 | L2 | 3 | | VL806-VL810, VL871-VL880, VN968-VN970, VS131-VS132, |
| 73 | 24 PK | D03738 | 4 | 21-53-22 | D08068J | 12 | L2 | 2 | | VK001-VK080, VK131-VK140, VK161-VK190, VL001-VL040, VL751-VL790, VL796-VL805, VL891-VL940, VN001-VN050, VN171-VN190, VN211-VN290, VN301-VN340, VN371-VN650, VN671-VN675, VN681-VN730, VN791-VN810, VN921-VN960, VN966-VN967, VN971-VN990, VR421-VR421, VR461-VR461, VR471-VR471, VS051-VS052, VS061-VS061, VS066-VS070, VS073-VS073, VS091-VS094, VS176-VS177, VS196-VS199, VS206-VS207, VS261-VS262, VS266-VS268, |
| | 24 PK | D03738 | 10 | 21-53-22 | D08068J | 13 | L2 | 2 | | VL806-VL810, VL871-VL880, VN968-VN970, VS131-VS132, |

286T1078-300
Wire Bundle Assembly
Figure 106 (Sheet 29)

25-71-01

| WIRE | | FROM EQUIPMENT | | | TO EQUIPMENT | | | WIRE INFO | | |
|--------|--------|----------------|---------|----------|--------------|---------|----------|-----------|-------|---|
| NUMBER | GA TYP | NUMBER | TERM TT | WDM REF | NUMBER | TERM TT | EMC/ SEP | FT | NOTES | EFFECTIVITY |
| 74 | 24 PK | D03738 | 7 | 21-53-22 | D08068J | 10 | L2 | 3 | | VK001-VK080, VK131-VK140, VK161-VK190, VL001-VL040, VL751-VL790, VL796-VL805, VL891-VL940, VN001-VN050, VN171-VN190, VN211-VN290, VN301-VN340, VN371-VN650, VN671-VN675, VN681-VN730, VN791-VN810, VN921-VN960, VN966-VN967, VN971-VN990, VR421-VR461, VR471-VR471, VS051-VS052, VS061-VS061, VS066-VS070, VS073-VS073, VS091-VS094, VS176-VS177, VS196-VS199, VS206-VS207, VS261-VS262, VS266-VS268, |
| 74 | 24 PK | D03738 | 7 | 21-53-22 | D08068J | 10 | L2 | 2 | | VL806-VL810, VL871-VL880, VN968-VN970, VS131-VS132, |
| 75 | 24 PK | D03738 | 11 | 21-53-22 | D08068J | 11 | L2 | 3 | | VK001-VK080, VK131-VK140, VK161-VK190, VL001-VL040, VL751-VL790, VL796-VL805, VL891-VL940, VN001-VN050, VN171-VN190, VN211-VN290, VN301-VN340, VN371-VN650, VN671-VN675, VN681-VN730, VN791-VN810, VN921-VN960, VN966-VN967, VN971-VN990, VR421-VR461, VR471-VR471, VS051-VS052, VS061-VS061, VS066-VS070, VS073-VS073, VS091-VS094, VS176-VS177, VS196-VS199, VS206-VS207, VS261-VS262, VS266-VS268, |
| 75 | 24 PK | D03738 | 11 | 21-53-22 | D08068J | 11 | L2 | 2 | | VL806-VL810, VL871-VL880, VN968-VN970, VS131-VS132, |
| 76 | 24 PK | D03738 | 12 | 21-53-22 | D08068J | 8 | L2 | 3 | | VK001-VK080, VK131-VK140, VK161-VK190, VL001-VL040, VL751-VL790, VL796-VL805, VL891-VL940, VN001-VN050, VN171-VN190, VN211-VN290, VN301-VN340, VN371-VN650, VN671-VN675, VN681-VN730, VN791-VN810, VN921-VN960, VN966-VN967, VN971-VN990, VR421-VR461, VR471-VR471, VS051-VS052, VS061-VS061, VS066-VS070, VS073-VS073, VS091-VS094, VS176-VS177, VS196-VS199, VS206-VS207, VS261-VS262, VS266-VS268, |
| 76 | 24 PK | D03738 | 12 | 21-53-22 | D08068J | 8 | L2 | 2 | | VL806-VL810, VL871-VL880, VN968-VN970, VS131-VS132, |

286T1078-300
Wire Bundle Assembly
Figure 106 (Sheet 30)



BOEING
COMPONENT
MAINTENANCE MANUAL

| WIRE | | FROM EQUIPMENT | | | TO EQUIPMENT | | | WIRE INFO | | | | | |
|--------|----|----------------|--------|------|--------------|----------|---------|-----------|----|---------|----|-------|---|
| NUMBER | GA | TYP | NUMBER | TERM | TT | WDM REF | NUMBER | TERM | TT | EMC/SEP | FT | NOTES | EFFECTIVITY |
| 77 | 24 | PK | D03738 | 9 | | 21-53-22 | D08068J | 9 | | L2 | 3 | | VK001-VK080, VK131-VK140, VK161-VK190, VL001-VL040, VL751-VL790, VL796-VL805, VL891-VL940, VN001-VN050, VN171-VN190, VN211-VN290, VN301-VN340, VN371-VN650, VN671-VN675, VN681-VN730, VN791-VN810, VN921-VN960, VN966-VN967, VN971-VN990, VR421-VR461, VR461-VR471, VR471-VS051-VS052, VS061-VS061, VS066-VS070, VS073-VS073, VS091-VS094, VS176-VS177, VS196-VS199, VS206-VS207, VS261-VS262, VS266-VS268, |
| 77 | 24 | PK | D03738 | 9 | | 21-53-22 | D08068J | 9 | | L2 | 2 | | VL806-VL810, VL871-VL880, VN968-VN970, VS131-VS132, |
| 78 | 24 | PK | D03738 | 16 | | 21-53-22 | D08068J | 6 | | L2 | 3 | | VK001-VK080, VK131-VK140, VK161-VK190, VL001-VL040, VL751-VL790, VL796-VL805, VL891-VL940, VN001-VN050, VN171-VN190, VN211-VN290, VN301-VN340, VN371-VN650, VN671-VN675, VN681-VN730, VN791-VN810, VN921-VN960, VN966-VN967, VN971-VN990, VR421-VR461, VR461-VR471, VR471-VS051-VS052, VS061-VS061, VS066-VS070, VS073-VS073, VS091-VS094, VS176-VS177, VS196-VS199, VS206-VS207, VS261-VS262, VS266-VS268, |
| 78 | 24 | PK | D03738 | 16 | | 21-53-22 | D08068J | 6 | | L2 | 2 | | VL806-VL810, VL871-VL880, VN968-VN970, VS131-VS132, |
| 79 | 24 | PK | D03738 | 14 | | 21-53-22 | D08068J | 5 | | L2 | 3 | | VK001-VK080, VK131-VK140, VK161-VK190, VL001-VL040, VL751-VL790, VL796-VL805, VL891-VL940, VN001-VN050, VN171-VN190, VN211-VN290, VN301-VN340, VN371-VN650, VN671-VN675, VN681-VN730, VN791-VN810, VN921-VN960, VN966-VN967, VN971-VN990, VR421-VR461, VR461-VR471, VR471-VS051-VS052, VS061-VS061, VS066-VS070, VS073-VS073, VS091-VS094, VS176-VS177, VS196-VS199, VS206-VS207, VS261-VS262, VS266-VS268, |
| 79 | 24 | PK | D03738 | 14 | | 21-53-22 | D08068J | 5 | | L2 | 2 | | VL806-VL810, VL871-VL880, VN968-VN970, VS131-VS132, |

286T1078-300
Wire Bundle Assembly
Figure 106 (Sheet 31)

25-71-01

TESTING & FAULT ISOLATION
01 Page 118E
Nov 01/02



COMPONENT
MAINTENANCE MANUAL

| WIRE | | FROM EQUIPMENT | | | TO EQUIPMENT | | | WIRE INFO | | | |
|--------|---------|----------------|---------|----------|--------------|---------|----------|-----------|-------|--|--|
| NUMBER | GA. TYP | NUMBER | TERM TT | WDM REF | NUMBER | TERM TT | EMC/ SEP | FT | NOTES | EFFECTIVITY | |
| 80 | 24 PK | D03738 | 15 | 21-53-22 | D08068J | 4 | L2 | 3 | | VK001-VK080, VK131-VK140, VK161-VK190, VL001-VL040, VL751-VL790, VL796-VL805, VL891-VL940, VN001-VN050, VN171-VN190, VN211-VN290, VN301-VN340, VN371-VN650, VN671-VN675, VN681-VN730, VN791-VN810, VN921-VN960, VN966-VN967, VN971-VN990, VR421-VR461, VR461-VR471, VR471-VR471, VS051-VS052, VS061-VS061, VS066-VS070, VS073-VS073, VS091-VS094, VS176-VS177, VS196-VS199, VS206-VS207, VS261-VS262, VS266-VS268, | |
| 80 | 24 PK | D03738 | 15 | 21-53-22 | D08068J | 4 | L2 | 2 | | VL806-VL810, VL871-VL880, VN968-VN970, VS131-VS132, | |
| 81 | 24 PK | D03738 | 13 | 21-53-22 | D08068J | 3 | L2 | 3 | | VK001-VK080, VK131-VK140, VK161-VK190, VL001-VL040, VL751-VL790, VL796-VL805, VL891-VL940, VN001-VN050, VN171-VN190, VN211-VN290, VN301-VN340, VN371-VN650, VN671-VN675, VN681-VN730, VN791-VN810, VN921-VN960, VN966-VN967, VN971-VN990, VR421-VR461, VR461-VR471, VR471-VR471, VS051-VS052, VS061-VS061, VS066-VS070, VS073-VS073, VS091-VS094, VS176-VS177, VS196-VS199, VS206-VS207, VS261-VS262, VS266-VS268, | |
| 81 | 24 PK | D03738 | 13 | 21-53-22 | D08068J | 3 | L2 | 2 | | VL806-VL810, VL871-VL880, VN968-VN970, VS131-VS132, | |
| 82 | 24 PK | D03738 | 18 | 21-53-22 | D08068J | 2 | L2 | 3 | | VK001-VK080, VK131-VK140, VK161-VK190, VL001-VL040, VL751-VL790, VL796-VL805, VL891-VL940, VN001-VN050, VN171-VN190, VN211-VN290, VN301-VN340, VN371-VN650, VN671-VN675, VN681-VN730, VN791-VN810, VN921-VN960, VN966-VN967, VN971-VN990, VR421-VR461, VR461-VR471, VR471-VR471, VS051-VS052, VS061-VS061, VS066-VS070, VS073-VS073, VS091-VS094, VS176-VS177, VS196-VS199, VS206-VS207, VS261-VS262, VS266-VS268, | |
| 82 | 24 PK | D03738 | 18 | 21-53-22 | D08068J | 2 | L2 | 2 | | VL806-VL810, VL871-VL880, VN968-VN970, VS131-VS132, | |

286T1078-300
Wire Bundle Assembly
Figure 106 (Sheet 32)

25-71-01



BOEING
COMPONENT
MAINTENANCE MANUAL

| WIRE | | FROM EQUIPMENT | | | TO EQUIPMENT | | | WIRE INFO | | |
|--------|--------|----------------|---------|----------|--------------|---------|----------|-----------|-------|---|
| NUMBER | GA TYP | NUMBER | TERM TT | WDM REF | NUMBER | TERM TT | EMC/ SEP | FT | NOTES | EFFECTIVITY |
| 83 | 24 PK | D03738 | 17 | 21-53-22 | D08068J | 1 | L2 | 3 | | VK001-VK080, VK131-VK140, VK161-VK190, VL001-VL040, VL751-VL790, VL796-VL805, VL891-VL940, VN001-VN050, VNI171-VNI190, VN211-VN290, VN301-VN340, VN371-VN650, VN671-VN675, VN681-VN730, VN791-VN810, VN921-VN960, VN966-VN967, VN971-VN990, VR421-VR461, VR461-VR471, VR471-VR471, VS051-VS052, VS061-VS061, VS066-VS070, VS073-VS073, VS091-VS094, VS176-VS177, VS196-VS199, VS206-VS207, VS261-VS262, VS266-VS268, |
| 83 | 24 PK | D03738 | 17 | 21-53-22 | D08068J | 1 | L2 | 2 | | VL806-VL810, VL871-VL880, VN968-VN970, VS131-VS132, |
| 84 | 24 PK | D03738 | 5 | 21-53-22 | D08068J | 7 | L2 | 3 | | VK001-VK080, VK131-VK140, VK161-VK190, VL001-VL040, VL751-VL790, VL796-VL805, VL891-VL940, VN001-VN050, VNI171-VNI190, VN211-VN290, VN301-VN340, VN371-VN650, VN671-VN675, VN681-VN730, VN791-VN810, VN921-VN960, VN966-VN967, VN971-VN990, VR421-VR461, VR461-VR471, VR471-VR471, VS051-VS052, VS061-VS061, VS066-VS070, VS073-VS073, VS091-VS094, VS176-VS177, VS196-VS199, VS206-VS207, VS261-VS262, VS266-VS268, |
| 84 | 24 PK | D03738 | 5 | 21-53-22 | D08068J | 7 | L2 | 2 | | VL806-VL810, VL871-VL880, VN968-VN970, VS131-VS132, |
| 85 | 22 PA | D01886 | 22 | 36-11-51 | SM00001 | | L2 | 3 | W | VK001-VK011, VK021-VK054, |
| 85 | 22 PA | D01886 | 60 | 36-11-51 | SM00001 | | L2 | 3 | W | VK012-VK020, VK055-VK080, VK131-VK140, VK161-VK190, VL001-VL040, VL751-VL790, VL796-VL805, VL891-VL940, VN001-VN050, VNI171-VNI190, VN211-VN290, VN301-VN340, VN371-VN650, VN671-VN675, VN681-VN730, VN791-VN810, VN921-VN960, VN966-VN967, VN971-VN990, VR421-VR461, VR461-VR471, VR471-VR471, VS051-VS052, VS061-VS061, VS066-VS070, VS073-VS073, VS091-VS094, VS176-VS177, VS196-VS199, VS206-VS207, VS261-VS262, VS266-VS268, |
| 85 | 22 PA | D01886 | 60 | 36-11-51 | SM00001 | | L2 | 3 | W | VL806-VL810, VL871-VL880, VN968-VN970, VS131-VS132, |
| 85 | 22 PA | D01886 | 60 | 36-11-51 | SM00001 | | L2 | 3 | W | VK001-VK011, VK021-VK054, |
| 85 | 22 PA | D01886 | 60 | 36-11-51 | SM00001 | | L2 | 2 | W | VL806-VL810, VN968-VN970, VS131-VS132, |
| 86 | 22 PA | D01886 | 41 | 36-11-51 | D08068J | 42 | L2 | 3 | | VK001-VK011, VK021-VK054, |

286T1078-300
Wire Bundle Assembly
Figure 106 (Sheet 33)

25-71-01

TESTING & FAULT ISOLATION
01 Page 118G
Nov 01/02

| WIRE | | FROM EQUIPMENT | | | TO EQUIPMENT | | | WIRE INFO | | | | | |
|--------|----|----------------|---------|------|--------------|----------|---------|-----------|----|---------|----|-------|--|
| NUMBER | GA | TYP | NUMBER | TERM | TT | WDM REF | NUMBER | TERM | TT | EMC/SEP | FT | NOTES | EFFECTIVITY |
| 86 | 22 | PA | D01886 | 40 | | 36-11-51 | D08068J | 42 | | L2 | 3 | | VK012-VK020, VK055-VK080, VK131-VK140, VK161-VK190, VL001-VL040, VL751-VL790, VL96-VL805, VL891-VL930, VN001-VN050, VN171-VN190, VN211-VN220, VN231-VN290, VN301-VN340, VN371-VN490, VN531-VN650, VN791-VN810, VN921-VN930, VN951-VN960, VR421-VR421, VR461-VR461, VR471-VR471, VS051-VS052, VS061-VS061, VS066-VS070, VS073-VS073, VS176-VS177, VS196-VS199, VS261-VS262, VS266-VS268, VS266-VS268, |
| 86 | 22 | PA | D01886 | 40 | | 36-11-51 | D08068J | 42 | | L2 | 2 | | VL806-VL810, VN968-VN970, VS131-VS132, |
| 86 | 22 | PA | D01886 | 40 | | 36-11-51 | D08068J | 42 | | L2 | 4 | | VL931-VL940, VN221-VN230, VN491-VN530, VN671-VN675, VN681-VN730, VN931-VN950, VN966-VN967, VN971-VN990, VS091-VS094, VS206-VS207, |
| 87 | 22 | PA | D01886 | 21 | | 36-11-51 | D08068J | 41 | | L2 | 3 | | VK001-VK011, VK021-VK054, |
| 87 | 22 | PA | D01886 | 39 | | 36-11-51 | D08068J | 41 | | L2 | 3 | | VK012-VK020, VK055-VK080, VK131-VK140, VK161-VK190, VL001-VL040, VL751-VL790, VL96-VL805, VL891-VL930, VN001-VN050, VN171-VN190, VN211-VN220, VN231-VN290, VN301-VN340, VN371-VN490, VN531-VN650, VN791-VN810, VN921-VN930, VN951-VN960, VR421-VR421, VR461-VR461, VR471-VR471, VS051-VS052, VS061-VS061, VS066-VS070, VS073-VS073, VS176-VS177, VS196-VS199, VS261-VS262, VS266-VS268, |
| 87 | 22 | PA | D01886 | 39 | | 36-11-51 | D08068J | 41 | | L2 | 2 | | VL806-VL810, VN968-VN970, VS131-VS132, |
| 87 | 22 | PA | D01886 | 39 | | 36-11-51 | D08068J | 41 | | L2 | 4 | | VL931-VL940, VN221-VN230, VN491-VN530, VN671-VN675, VN681-VN730, VN931-VN950, VN966-VN967, VN971-VN990, VS091-VS094, VS206-VS207, |
| 88 | 22 | PA | TB0248Y | A004 | BJ | 73-21-19 | D08030J | 15 | | L2 | 3 | | VK012-VK020, VK031-VK054, VK131-VK140, VK181-VK190, VL001-VL010, VL751-VL790, VL891-VL930, VN001-VN050, VN231-VN240, VN301-VN340, VN421-VN490, VN546-VN550, VN634-VN650, VN791-VN810, VN921-VN930, VN951-VN960, VR461-VR461, VS051-VS052, VS073-VS073, VS176-VS177, VS196-VS199, VS261-VS262, VS266-VS268, |
| 88 | 24 | PK | D08030J | 3 | | 73-21-18 | TB0182X | B016 | BJ | L2 | 2 | | VL871-VL880, |
| 88 | 24 | PK | D08030J | 10 | | 73-21-18 | TB0182X | A011 | BJ | L2 | 3 | | VN221-VN230, VN671-VN675, |
| 88 | 22 | PA | TB0248Y | A004 | BJ | 73-21-19 | D08030J | 15 | | L2 | 2 | | VN968-VN970, VS131-VS132, |

286T1078-300
Wire Bundle Assembly
Figure 106 (Sheet 34)

25-71-01



COMPONENT
MAINTENANCE MANUAL

| WIRE | | FROM EQUIPMENT | | | TO EQUIPMENT | | | WIRE INFO | | | | | |
|--------|----|----------------|---------|------|--------------|----------|---------|-----------|----|---------|----|-------|--|
| NUMBER | GA | TYP | NUMBER | TERM | TT | WDM REF | NUMBER | TERM | TT | EMC/SEP | FT | NOTES | EFFECTIVITY |
| 89 | 22 | PA | TB0248D | C022 | 2 | 73-21-19 | TB0248Y | A004 | BJ | L2 | 2 | | VK012-VK020, VK031-VK054, VK131-VK140, VK181-VK190, VL001-VL010, VL751-VL790, VL891-VL930, VN001-VN050, VN231-VN240, VN301-VN340, VN421-VN490, VN546-VN550, VN634-VN650, VN791-VN810, VN921-VN930, VN951-VN960, VN968-VN970, VR461-VR461, VS051-VS052, VS073-VS073, VS131-VS132, VS176-VS177, VS196-VS199, VS261-VS262, VS266-VS268, VS266-VS268, |
| 89 | 24 | PK | D08030J | L2 | | 73-21-18 | TB0182Y | C014 | BJ | L2 | 3 | | VK161-VK161, VN223-VN230, VN251-VN260, VN671-VN675, VN681-VN683, |
| 89 | 24 | PK | D08030J | 47 | | 73-21-18 | TB0182Y | A008 | BJ | L2 | 2 | | VL871-VL880, |
| 89 | 24 | PK | D08030J | 12 | | 73-21-18 | TB0182Y | A013 | BJ | L2 | 3 | | VN221-VN222, |
| 90 | 24 | PK | D08068J | 55 | | 21-51-11 | TB0158Y | A005 | BJ | L2 | 3 | | VK001-VK080, VK131-VK140, VK161-VK190, VL001-VL040, VL751-VL790, VL796-VL805, VL891-VL940, VN001-VN050, VN171-VN190, VN211-VN290, VN301-VN340, VN371-VN650, VN671-VN675, VN681-VN730, VN791-VN810, VN921-VN960, VN966-VN967, VN971-VN990, VR421-VR421, VR461-VR461, VR471-VR471, VS051-VS052, VS061-VS061, VS066-VS070, VS073-VS073, VS091-VS094, VS176-VS177, VS196-VS199, VS206-VS207, VS261-VS262, VS266-VS268, |
| 90 | 24 | PK | D08068J | 55 | | 21-51-11 | TB0158Y | A005 | BJ | L2 | 2 | | VL806-VL810, VL871-VL880, VN968-VN970, VS131-VS132, |
| 92 | 24 | PK | D01886 | 24 | | 36-11-51 | D08068J | 25 | | L2 | 3 | | VK001-VK011, VK021-VK054, |
| 92 | 24 | PK | D01886 | 20 | | 36-11-51 | D08068J | 25 | | L2 | 3 | | VK012-VK020, VK055-VK080, VK131-VK140, VK161-VK190, VL001-VL040, VL751-VL790, VL796-VL805, VL891-VL930, VN001-VN050, VN171-VN190, VN211-VN220, VN231-VN290, VN301-VN340, VN371-VN490, VN531-VN650, VN791-VN810, VN921-VN930, VN951-VN960, VR421-VR421, VR461-VR461, VR471-VR471, VS051-VS052, VS061-VS061, VS066-VS070, VS073-VS073, VS176-VS177, VS196-VS199, VS261-VS262, VS266-VS268, |
| 92 | 24 | PK | D01886 | 20 | | 36-11-51 | D08068J | 25 | | L2 | 4 | | VL806-VL810, VN968-VN970, VS131-VS132, |
| 92 | 24 | PK | D01886 | 20 | | 36-11-51 | D08068J | 25 | | L2 | 4 | | VL931-VL940, VN221-VN230, VN491-VN530, VN671-VN675, VN681-VN730, VN931-VN950, VN966-VN967, VN971-VN990, VS091-VS094, VS206-VS207, |
| 93 | 22 | PA | D01886 | 7 | | 36-11-51 | D08068J | 22 | | L2 | 3 | | VK001-VK011, VK021-VK054, |

286T1078-300
Wire Bundle Assembly
Figure 106 (Sheet 35)

25-71-01

| WIRE | | FROM EQUIPMENT | | | TO EQUIPMENT | | | WIRE INFO | | |
|--------|--------|----------------|---------|----------|--------------|---------|---------|-----------|-------|---|
| NUMBER | GA TYP | NUMBER | TERM TT | WDM REF | NUMBER | TERM TT | EMC/SEP | FT | NOTES | EFFECTIVITY |
| 93 | 22 PA | D01886 | 35 | 36-11-51 | D08068J | 22 | L2 | 3 | | VK012-VK020, VK055-VK080, VK131-VK140, VK161-VK190, VL001-VL040, VL751-VL790, VL796-VL805, VL891-VL930, VM001-VM050, VM171-VM190, VM211-VM220, VM231-VM290, VM301-VM340, VM371-VM490, VM531-VM650, VM791-VM810, VM921-VM930, VM951-VM960, VR421-VR421, VR461-VR461, VR471-VR471, VS051-VS052, VS061-VS061, VS066-VS070, VS073-VS073, VS176-VS177, VS196-VS199, VS261-VS262, VS266-VS268, |
| 93 | 22 PA | D01886 | 35 | 36-11-51 | D08068J | 22 | L2 | 2 | | VL806-VL810, VN968-VN970, VS131-VS132, |
| 93 | 22 PA | D01886 | 35 | 36-11-51 | D08068J | 22 | L2 | 4 | | VL931-VL940, VN221-VN230, VM491-VN530, VM671-VN675, VM681-VN730, VN931-VN950, VN966-VN967, VN971-VN990, VS091-VS094, VS206-VS207, |
| 94 | 24 PK | D01886 | 38 | 36-11-51 | TB0158Y | C005 BJ | L2 | 4 | | VK001-VK011, VK021-VK054, |
| 94 | 24 PK | D01886 | 53 | 36-11-51 | TB0158Y | C005 BJ | L2 | 4 | | VK012-VK020, VK055-VK080, VK131-VK140, VK161-VK190, VL001-VL040, VL751-VL790, VL796-VL805, VL891-VL940, VM001-VM050, VM171-VM190, VM211-VM220, VM231-VM290, VM301-VM371-VN650, VN671-VN675, VN681-VN730, VN791-VN810, VN921-VN960, VN966-VN967, VN971-VN990, VR421-VR421, VR461-VR461, VR471-VR471, VS051-VS052, VS061-VS061, VS066-VS066, VS073-VS073, VS091-VS094, VS176-VS177, VS196-VS199, VS206-VS207, VS261-VS262, VS266-VS268, |
| 94 | 24 PK | D01886 | 53 | 36-11-51 | TB0158Y | C005 BJ | L2 | 3 | | VL806-VL810, VN968-VN970, VS131-VS132, |
| 95 | 24 PK | D01886 | 34 | 36-11-61 | D08068J | 34 | L2 | 3 | | VK001-VK011, VK021-VK054, |
| 95 | 24 PK | D01886 | 28 | 36-11-61 | D08068J | 34 | L2 | 3 | | VK012-VK020, VK055-VK080, VK131-VK140, VK161-VK190, VL001-VL040, VL751-VL790, VL796-VL805, VL891-VL930, VM001-VM050, VM171-VM190, VM211-VM220, VM231-VN290, VM301-VM340, VM371-VM490, VM531-VM650, VM791-VN810, VN921-VN930, VN951-VN960, VR421-VR421, VR461-VR461, VR471-VR471, VS051-VS052, VS061-VS061, VS066-VS070, VS073-VS073, VS176-VS177, VS196-VS199, VS261-VS262, VS266-VS268, |
| 95 | 24 PK | D01886 | 28 | 36-11-61 | D08068J | 34 | L2 | 2 | | VL806-VL810, VN968-VN970, VS131-VS132, |

 286T1078-300
 Wire Bundle Assembly
 Figure 106 (Sheet 36)

25-71-01



BOEING
COMPONENT
MAINTENANCE MANUAL

| WIRE | | FROM EQUIPMENT | | | TO EQUIPMENT | | | WIRE INFO | | | |
|--------|--------|----------------|---------|----------|--------------|---------|---------|-----------|-------|--|--|
| NUMBER | GA TYP | NUMBER | TERM TT | WDM REF | NUMBER | TERM TT | EMC/SEP | FT | NOTES | EFFECTIVITY | |
| 95 | 24 FK | D01886 | 28 | 36-11-61 | D08068J | 34 | L2 | 4 | | VL931-VL940, VN221-VN230, VN491-VN530, VN671-VN675, VN681-VN730, VN931-VN950, VN966-VN967, VN971-VN990, VS091-VS094, VS206-VS207, VK001-VK011, VK021-VK054, VK001-VK011, VK021-VK054, VK012-VK020, VK055-VK080, VK131-VK140, VK161-VK190, VL001-VL040, VL751-VL790, VL796-VL805, VL891-VL930, VN001-VN050, VN171-VN190, VN211-VN220, VN231-VN290, VN301-VN340, VN371-VN490, VN531-VN650, VN791-VN810, VN921-VN930, VN951-VN960, VR421-VR421, VR461-VR461, VR471-VR471, VS051-VS052, VS061-VS061, VS066-VS070, VS073-VS073, VS176-VS177, VS196-VS199, VS261-VS262, VS266-VS268, VL806-VL810, VN968-VN970, VS131-VS132, VL931-VL940, VN221-VN230, VN491-VN530, VN671-VN675, VN681-VN730, VN931-VN950, VN966-VN967, VN971-VN990, VS091-VS094, VS206-VS207, VK001-VK011, VK021-VK054, VK131-VK140, VL002-VL010, VN211-VN220, VN531-VN545, VN551-VN630, VN491-VN530, VK001-VK080, VK131-VK140, VK161-VK190, VL001-VL040, VL751-VL790, VL796-VL805, VL891-VL940, VN001-VN050, VN171-VN190, VN211-VN290, VN301-VN340, VN371-VN650, VN671-VN675, VN681-VN730, VN791-VN810, VN921-VN960, VN966-VN967, VN971-VN990, VR421-VR421, VR461-VR461, VR471-VR471, VS051-VS052, VS061-VS061, VS066-VS070, VS073-VS073, VS091-VS094, VS176-VS177, VS196-VS199, VS261-VS262, VS266-VS268, VL806-VL810, VN968-VN970, VS131-VS132, VK001-VK011, VK021-VK054, | |
| 96 | 22 FA | D01886 | 11 | 36-11-51 | SM00004 | | W | 3 | | | |
| 97 | 24 FK | D01886 | 4 | 36-11-51 | D08068J | 23 | L2 | 3 | | | |
| 97 | 24 FK | D01886 | 52 | 36-11-51 | D08068J | 23 | L2 | 3 | | | |
| 97 | 24 FK | D01886 | 52 | 36-11-51 | D08068J | 23 | L2 | 2 | | | |
| 97 | 24 FK | D01886 | 52 | 36-11-51 | D08068J | 23 | L2 | 4 | | | |
| 98 | 22 FA | D01886 | 16 | 36-11-51 | SM00003 | | W | 3 | | | |
| 98 | 24 FK | D08112J | 44 | 21-58-17 | TB0248Y | A009 | BJ | L2 | 3 | | |
| 98 | 24 FK | D08112J | 44 | 21-58-17 | TB0248Y | C004 | BJ | L2 | 3 | | |
| 99 | 22 FA | D01886 | 2 | 36-22-11 | D08030J | 44 | L2 | 3 | | | |
| 99 | 22 FA | D01886 | 2 | 36-22-11 | D08030J | 44 | L2 | 2 | | | |
| 100 | 22 FA | SM00006 | W | 36-11-61 | D08068J | 31 | L2 | 3 | | | |

286T1078-300
Wire Bundle Assembly
Figure 106 (Sheet 37)

25-71-01

| WIRE | | FROM EQUIPMENT | | | TO EQUIPMENT | | | WIRE INFO | | |
|--------|--------|----------------|---------|----------|--------------|---------|---------|-----------|-------|--|
| NUMBER | GA TYP | NUMBER | TERM TT | WDM REF | NUMBER | TERM TT | EMC/SEP | FT | NOTES | EFFECTIVITY |
| 100 | 22 FA | D01886 | 31 | 36-11-61 | D08068J | 31 | L2 | 3 | | VK012-VK020, VK055-VK080, VK131-VK140, VK161-VK190, VL001-VL040, VL751-VL790, VL796-VL805, VL891-VL930, VN001-VN050, VN171-VN190, VN211-VN220, VN231-VN290, VN301-VN340, VN371-VN490, VN531-VN650, VN791-VN810, VN921-VN930, VN951-VN960, VR421-VR421, VR461-VR461, VR471-VR471, VS051-VS052, VS061-VS061, VS066-VS070, VS073-VS073, VS176-VS177, VS196-VS199, VS261-VS262, VS266-VS268, |
| 100 | 22 FA | D01886 | 31 | 36-11-61 | D08068J | 31 | L2 | 2 | | VL806-VL810, VN968-VN970, VS131-VS132, |
| 100 | 22 FA | D01886 | 31 | 36-11-61 | D08068J | 31 | L2 | 4 | | VL931-VL940, VN221-VN230, VN491-VN530, VN671-VN675, VN681-VN730, VN931-VN950, VN966-VN967, VN971-VN990, VS091-VS094, VS206-VS207, |
| 101 | 24 PK | D01886 | 3 | 36-11-61 | D08068J | 35 | L2 | 3 | | VK001-VK011, VK021-VK054, |
| 101 | 24 PK | D01886 | 1 | 36-11-61 | D08068J | 35 | L2 | 3 | | VK012-VK020, VK055-VK080, VK131-VK140, VK161-VK190, VL001-VL040, VL751-VL790, VL796-VL805, VL891-VL930, VN001-VN050, VN171-VN190, VN211-VN220, VN231-VN290, VN301-VN340, VN371-VN490, VN531-VN650, VN791-VN810, VN921-VN930, VN951-VN960, VR421-VR421, VR461-VR461, VR471-VR471, VS051-VS052, VS061-VS061, VS066-VS070, VS073-VS073, VS176-VS177, VS196-VS199, VS261-VS262, VS266-VS268, |
| 101 | 24 PK | D01886 | 1 | 36-11-61 | D08068J | 35 | L2 | 2 | | VI806-VI810, VN968-VN970, VS131-VS132, |
| 101 | 24 PK | D01886 | 1 | 36-11-61 | D08068J | 35 | L2 | 4 | | VL931-VL940, VN221-VN230, VN491-VN530, VN671-VN675, VN681-VN730, VN931-VN950, VN966-VN967, VN971-VN990, VS091-VS094, VS206-VS207, |
| 102 | 22 FA | SM00005 | W | 36-11-61 | D08068J | 33 | L2 | 3 | | VK001-VK011, VK021-VK054, |
| 102 | 22 FA | D01886 | 56 | 36-11-61 | D08068J | 33 | L2 | 3 | | VK012-VK020, VK055-VK080, VK131-VK140, VK161-VK190, VL001-VL040, VL751-VL790, VL796-VL805, VL891-VL930, VN001-VN050, VN171-VN190, VN211-VN220, VN231-VN290, VN301-VN340, VN371-VN490, VN531-VN650, VN791-VN810, VN921-VN930, VN951-VN960, VR421-VR421, VR461-VR461, VR471-VR471, VS051-VS052, VS061-VS061, VS066-VS070, VS073-VS073, VS176-VS177, VS196-VS199, VS261-VS262, VS266-VS268, |

 286T1078-300
 Wire Bundle Assembly
 Figure 106 (Sheet 38)

25-71-01

 TESTING & FAULT ISOLATION
 01 Page 118L
 Nov 01/02



COMPONENT
MAINTENANCE MANUAL

| WIRE | | FROM EQUIPMENT | | | | TO EQUIPMENT | | | | WIRE INFO | | | |
|--------|----|----------------|---------|------|----|--------------|---------|------|----|-----------|----|-------|---|
| NUMBER | GA | TYP | NUMBER | TERM | TT | WDM REF | NUMBER | TERM | TT | EMC/SEP | FT | NOTES | EFFECTIVITY |
| 102 | 22 | PA | D01886 | 56 | | 36-11-61 | D08068J | 33 | | L2 | 2 | | VL806-VL810, VN968-VN970, VS131-VS132, |
| 102 | 22 | PA | D01886 | 56 | | 36-11-61 | D08068J | 33 | | L2 | 4 | | VL931-VL940, VN221-VN230, VN491-VN530, VN671-VN675, VN681-VN730, VN931-VN950, VN966-VN967, VN971-VN990, VS091-VS094, VS206-VS207, |
| 103 | 24 | PK | D01886 | 13 | | 36-11-61 | D08068J | 32 | | L2 | 3 | | VK001-VK011, VK021-VK054, |
| 103 | 24 | PK | D01886 | 58 | | 36-11-61 | D08068J | 32 | | L2 | 3 | | VK012-VK020, VK055-VK080, VK131-VK140, VK161-VK190, VL001-VL040, VL751-VL790, VL796-VL805, VL891-VL930, VN001-VN050, VN171-VN190, VN211-VN220, VN231-VN290, VN301-VN340, VN371-VN490, VN531-VN650, VN791-VN810, VN921-VN930, VN951-VN960, VR421-VR421, VR461-VR461, VR471-VR471, VS051-VS052, VS061-VS066, VS073-VS073, VS176-VS177, VS196-VS199, VS261-VS262, VS266-VS268, |
| 103 | 24 | PK | D01886 | 58 | | 36-11-61 | D08068J | 32 | | L2 | 2 | | VL806-VL810, VN968-VN970, VS131-VS132, |
| 103 | 24 | PK | D01886 | 58 | | 36-11-61 | D08068J | 32 | | L2 | 4 | | VL931-VL940, VN221-VN230, VN491-VN530, VN671-VN675, VN681-VN730, VN931-VN950, VN966-VN967, VN971-VN990, VS091-VS094, VS206-VS207, |
| 104 | 22 | PA | D01886 | 33 | | 36-11-61 | D08068J | 36 | | L2 | 3 | | VK001-VK011, VK021-VK054, |
| 104 | 22 | PA | SM00007 | | W | 36-11-61 | D08068J | 36 | | L2 | 2 | | VK012-VK020, VK131-VK140, VK161-VK170, VK181-VK190, VL001-VL040, VL751-VL790, VL796-VL810, VL891-VL940, VN001-VN050, VN171-VN190, VN211-VN220, VN231-VN290, VN301-VN340, VN371-VN650, VN671-VN675, VN681-VN730, VN791-VN810, VN921-VN960, VN966-VN967, VN971-VN990, VR461-VR461, VS051-VS052, VS061-VS066, VS073-VS073, VS091-VS094, VS176-VS177, VS196-VS199, VS206-VS207, VS261-VS262, VS266-VS268, |
| 104 | 22 | PA | SM00007 | | W | 36-11-61 | D08068J | 36 | | L2 | 3 | | VK055-VK080, VK171-VK180, VR421-VR421, VR471-VR471, |
| 104 | 22 | PA | SM00007 | | W | 36-11-61 | D08068J | 36 | | L2 | 1 | | VN968-VN970, VS131-VS132, |
| 105 | 24 | PK | D01886 | 28 | | 36-11-41 | TS0248Y | A003 | BJ | L2 | 4 | | VK001-VK011, VK021-VK054, |

286T1078-300
Wire Bundle Assembly
Figure 106 (Sheet 39)

25-71-01

| WIRE | | FROM EQUIPMENT | | | TO EQUIPMENT | | | WIRE INFO | | |
|--------|--------|----------------|---------|----------|--------------|---------|---------|-----------|-------|---|
| NUMBER | GA TYP | NUMBER | TERM TT | WDM REF | NUMBER | TERM TT | EMC/SEP | FT | NOTES | EFFECTIVITY |
| 105 | 24 PK | D01886 | 64 | 36-11-41 | TB0248Y | A003 BJ | L2 | 4 | | VK012-VK020, VK055-VK080, VK131-VK140, VK161-VK190, VL001-VL040, VL751-VL790, VL796-VL805, VL891-VL930, VN001-VN050, VN171-VN190, VN211-VN220, VN231-VN290, VN301-VN340, VN371-VN490, VN531-VN650, VN791-VN810, VN921-VN930, VN951-VN960, VR421-VR421, VR461-VR461, VR471-VR471, VS051-VS052, VS061-VS061, VS066-VS070, VS073-VS073, VS176-VS177, VS196-VS199, VS261-VS262, VS266-VS268, VS207, VS261-VS262, VS266-VS268, |
| 105 | 24 PK | D01886 | 64 | 36-11-41 | TB0248Y | A003 BJ | L2 | 3 | | VL806-VL810, VN968-VN970, VS131-VS132, |
| 105 | 24 PK | D01886 | 64 | 36-11-41 | TB0248Y | A003 BJ | L2 | 5 | | VL931-VL940, VN221-VN230, VN491-VN530, VN671-VN675, VN681-VN730, VN931-VN950, VN966-VN967, VN971-VN990, VS091-VS094, VS206-VS207, |
| 106 | 24 PK | TB0158Y | C005 BJ | 36-11-51 | D08068J | 26 | L2 | 3 | | VK001-VK080, VK131-VK140, VK161-VK190, VL001-VL040, VL751-VL790, VL796-VL805, VL891-VL940, VN001-VN050, VN171-VN190, VN211-VN290, VN301-VN340, VN371-VN650, VN671-VN675, VN681-VN730, VN791-VN810, VN921-VN960, VN966-VN967, VN971-VN990, VR421-VR421, VR461-VR461, VR471-VR471, VS051-VS052, VS061-VS061, VS066-VS070, VS073-VS073, VS091-VS094, VS176-VS177, VS196-VS199, VS206-VS207, VS261-VS262, VS266-VS268, |
| 106 | 24 PK | TB0158Y | C005 BJ | 36-11-51 | D08068J | 26 | L2 | 2 | | VL806-VL810, VN968-VN970, VS131-VS132, |
| 107 | 24 PK | TB0158Y | C005 BJ | 36-11-51 | D08068J | 29 | L2 | 3 | | VK001-VK080, VK131-VK140, VK161-VK190, VL001-VL040, VL751-VL790, VL796-VL805, VL891-VL940, VN001-VN050, VN171-VN190, VN211-VN290, VN301-VN340, VN371-VN650, VN671-VN675, VN681-VN730, VN791-VN810, VN921-VN960, VN966-VN967, VN971-VN990, VR421-VR421, VR461-VR461, VR471-VR471, VS051-VS052, VS061-VS061, VS066-VS070, VS073-VS073, VS091-VS094, VS176-VS177, VS196-VS199, VS206-VS207, VS261-VS262, VS266-VS268, |
| 107 | 24 PK | TB0158Y | C005 BJ | 36-11-51 | D08068J | 29 | L2 | 2 | | VL806-VL810, VN968-VN970, VS131-VS132, |
| 108 | 22 FA | TB0182Y | A002 BJ | 21-58-11 | D04978J | 49 | R2 | 3 | | VK001-VK003, VK031-VK031, |

286T1078-300
Wire Bundle Assembly
Figure 106 (Sheet 40)

25-71-01



BOEING
COMPONENT
MAINTENANCE MANUAL

| WIRE | | FROM EQUIPMENT | | | TO EQUIPMENT | | | WIRE INFO | | | | | |
|--------|----|----------------|---------|------|--------------|----------|---------|-----------|----|---------|----|-------|---|
| NUMBER | GA | TYP | NUMBER | TERM | TT | WDM REF | NUMBER | TERM | TT | EMC/SEP | FT | NOTES | EFFECTIVITY |
| 108 | 22 | PA | TB0182Y | A002 | BJ | 21-58-11 | D08112J | 34 | | R2 | 2 | | VK004-VK030, VK032-VK080, VK131-VK140, VK161-VK190, VL001-VL040, VL751-VL790, VL796-VL805, VL891-VL940, VN001-VN050, VN171-VN190, VN211-VN290, VN301-VN340, VN371-VN650, VN671-VN675, VN681-VN730, VN791-VN810, VN921-VN960, VN966-VN967, VN971-VN990, VR421-VR421, VR461-VR461, VR471-VR471, VS051-VS052, VS061-VS061, VS066-VS070, VS073-VS073, VS091-VS094, VS176-VS177, VS196-VS199, VS206-VS207, VS261-VS262, VS266-VS268, |
| 108 | 22 | PA | TB0182Y | A002 | BJ | 21-58-11 | D08112J | 34 | | R2 | 2 | | VL806-VL810, VL871-VL880, VN968-VN970, VS131-VS132, |
| 109 | 22 | PA | D02160 | 19 | | 73-21-11 | GDX0001 | D.. | 2 | L2 | 4 | | VK001-VK011, VK021-VK030, |
| 109 | 22 | PA | D02160 | 56 | | 73-21-16 | TB0182X | B015 | BJ | L2 | 4 | | VK031-VK054, VL001-VL010, VN001-VN050, VN301-VN340, VS196-VS199, |
| 109 | 24 | PV | D04978J | 32 | | 73-21-17 | TB0248Y | A013 | BJ | L2 | 4 | | VK055-VK080, VK171-VK180, VR421-VR421, VR471-VR471, |
| 109 | 24 | PV | TB0248Y | A013 | BJ | 73-21-17 | D04978J | 32 | | L2 | 3 | | VK161-VK170, VL011-VL040, VL796-VL805, VL931-VL940, VN171-VN190, VN211-VN230, VN241-VN290, VN371-VN420, VN491-VN545, VN551-VN633, VN671-VN675, VN681-VN730, VN931-VN950, VN966-VN967, VN971-VN990, VS061-VS061, VS066-VS070, VS091-VS094, VS206-VS207, |
| 109 | 24 | PV | TB0248Y | A013 | BJ | 73-21-17 | D04978J | 32 | | L2 | 2 | | VL806-VL810, VL871-VL880, |
| 109F | 20 | UA | D04978J | | | 73-21-17 | GDX0001 | S.. | 2 | L2 | 2 | | VK055-VK080, VK171-VK180, VL931-VL940, VN221-VN230, VN671-VN675, VN681-VN730, VN931-VN950, VN966-VN967, VN971-VN990, VR421-VR421, VR471-VR471, VS206-VS207, |
| 109F | 20 | UA | GDX0001 | S.. | 2 | 73-21-17 | D04978J | | | L2 | 2 | | VK161-VK170, VL011-VL040, VL796-VL805, VN171-VN190, VN211-VN220, VN241-VN290, VN371-VN420, VN491-VN545, VN551-VN633, VS061-VS061, VS066-VS070, VS091-VS094, |
| 109F | 20 | UA | GDX0001 | S.. | 2 | 73-21-17 | D04978J | | | L2 | 1 | | VL806-VL810, VL871-VL880, |
| 109Z | 20 | UA | TB0248Y | C014 | BJ | 73-21-17 | D04978J | | | L2 | | | VK055-VK080, VK171-VK180, VL931-VL940, VN223-VN230, VN671-VN675, VN681-VN730, VN931-VN950, VN966-VN967, VN971-VN990, VR421-VR421, VR471-VR471, VS206-VS207, |

286T1078-300
Wire Bundle Assembly
Figure 106 (Sheet 41)

25-71-01

| WIRE | | FROM EQUIPMENT | | | | TO EQUIPMENT | | | | WIRE INFO | | | |
|--------|--------|----------------|---------|---------|----------|--------------|---------|----|-------|---|--|--|--|
| NUMBER | GA TYP | NUMBER | TERM TT | WDM REF | NUMBER | TERM TT | EMC/SEP | FT | NOTES | EFFECTIVITY | | | |
| 109Z | | TB0248Y | C014 | BJ | 73-21-17 | D04978J | L2 | | | VK161-VK170, VL011-VL040, VL796-VL810, VL871-VL880, VNI171-VN190, VN211-VN220, VN241-VN290, VN371-VN420, VN531-VN545, VN551-VN633, VS061-VS061, VS066-VS070, VN221-VN222, VN491-VN530, VS091-VS094, VK001-VK080, VK131-VK140, VK161-VK190, VL001-VL040, VL751-VL790, VL796-VL805, VL891-VL940, VN001-VN050, VNI171-VN190, VN211-VN290, VN301-VN340, VN371-VN650, VN671-VN675, VN681-VN730, VN791-VN810, VN921-VN960, VN966-VN967, VN971-VN990, VR421-VR421, VR461-VR461, VR471-VR471, VS051-VS052, VS061-VS061, VS066-VS070, VS073-VS073, VS091-VS094, VS176-VS177, VS196-VS199, VS206-VS207, VS261-VS262, VS266-VS268, VL806-VL810, VL871-VL880, VN968-VN970, VS131-VS132, VK001-VK080, VK131-VK140, VK161-VK190, VL001-VL040, VL751-VL790, VL796-VL805, VL891-VL940, VN001-VN050, VNI171-VN190, VN211-VN290, VN301-VN340, VN371-VN650, VN671-VN675, VN681-VN730, VN791-VN810, VN921-VN960, VN966-VN967, VN971-VN990, VR421-VR421, VR461-VR461, VR471-VR471, VS051-VS052, VS061-VS061, VS066-VS070, VS073-VS073, VS091-VS094, VS176-VS177, VS196-VS199, VS206-VS207, VS261-VS262, VS266-VS268, VL806-VL810, VL871-VL880, VN968-VN970, VS131-VS132, VK001-VK080, VK131-VK140, VK161-VK190, VL001-VL040, VL751-VL790, VL796-VL805, VL891-VL940, VN001-VN050, VNI171-VN190, VN211-VN290, VN301-VN340, VN371-VN650, VN671-VN675, VN681-VN730, VN791-VN810, VN921-VN960, VN966-VN967, VN971-VN990, VR421-VR421, VR461-VR461, VR471-VR471, VS051-VS052, VS061-VS061, VS066-VS070, VS073-VS073, VS091-VS094, VS176-VS177, VS196-VS199, VS206-VS207, VS261-VS262, VS266-VS268, | | | |
| 109Z | | TB0248Y | | | 73-21-17 | D04978J | L2 | | | VN221-VN222, VN491-VN530, VS091-VS094, VK001-VK080, VK131-VK140, VK161-VK190, VL001-VL040, VL751-VL790, VL796-VL805, VL891-VL940, VN001-VN050, VNI171-VN190, VN211-VN290, VN301-VN340, VN371-VN650, VN671-VN675, VN681-VN730, VN791-VN810, VN921-VN960, VN966-VN967, VN971-VN990, VR421-VR421, VR461-VR461, VR471-VR471, VS051-VS052, VS061-VS061, VS066-VS070, VS073-VS073, VS091-VS094, VS176-VS177, VS196-VS199, VS206-VS207, VS261-VS262, VS266-VS268, | | | |
| 110 | 24 PK | D08068J | 47 | | 28-22-12 | TB0248X | D001 | BJ | 2 | VL806-VL810, VL871-VL880, VN968-VN970, VS131-VS132, VK001-VK080, VK131-VK140, VK161-VK190, VL001-VL040, VL751-VL790, VL796-VL805, VL891-VL940, VN001-VN050, VNI171-VN190, VN211-VN290, VN301-VN340, VN371-VN650, VN671-VN675, VN681-VN730, VN791-VN810, VN921-VN960, VN966-VN967, VN971-VN990, VR421-VR421, VR461-VR461, VR471-VR471, VS051-VS052, VS061-VS061, VS066-VS070, VS073-VS073, VS091-VS094, VS176-VS177, VS196-VS199, VS206-VS207, VS261-VS262, VS266-VS268, | | | |
| 111 | 22 FA | D02672 | 26 | | 22-24-11 | D05277J | 1 | L2 | 3 | VL806-VL810, VL871-VL880, VN968-VN970, VS131-VS132, VK001-VK080, VK131-VK140, VK161-VK190, VL001-VL040, VL751-VL790, VL796-VL805, VL891-VL940, VN001-VN050, VNI171-VN190, VN211-VN290, VN301-VN340, VN371-VN650, VN671-VN675, VN681-VN730, VN791-VN810, VN921-VN960, VN966-VN967, VN971-VN990, VR421-VR421, VR461-VR461, VR471-VR471, VS051-VS052, VS061-VS061, VS066-VS070, VS073-VS073, VS091-VS094, VS176-VS177, VS196-VS199, VS206-VS207, VS261-VS262, VS266-VS268, | | | |
| 111 | 22 FA | D02672 | 26 | | 22-24-11 | D05277J | 1 | L2 | 2 | VL806-VL810, VL871-VL880, VN968-VN970, VS131-VS132, VK001-VK080, VK131-VK140, VK161-VK190, VL001-VL040, VL751-VL790, VL796-VL805, VL891-VL940, VN001-VN050, VNI171-VN190, VN211-VN290, VN301-VN340, VN371-VN650, VN671-VN675, VN681-VN730, VN791-VN810, VN921-VN960, VN966-VN967, VN971-VN990, VR421-VR421, VR461-VR461, VR471-VR471, VS051-VS052, VS061-VS061, VS066-VS070, VS073-VS073, VS091-VS094, VS176-VS177, VS196-VS199, VS206-VS207, VS261-VS262, VS266-VS268, | | | |
| 112 | 24 PK | D02672 | 23 | | 22-12-11 | D05277J | 23 | L2 | 3 | VL806-VL810, VL871-VL880, VN968-VN970, VS131-VS132, VK001-VK080, VK131-VK140, VK161-VK190, VL001-VL040, VL751-VL790, VL796-VL805, VL891-VL940, VN001-VN050, VNI171-VN190, VN211-VN290, VN301-VN340, VN371-VN650, VN671-VN675, VN681-VN730, VN791-VN810, VN921-VN960, VN966-VN967, VN971-VN990, VR421-VR421, VR461-VR461, VR471-VR471, VS051-VS052, VS061-VS061, VS066-VS070, VS073-VS073, VS091-VS094, VS176-VS177, VS196-VS199, VS206-VS207, VS261-VS262, VS266-VS268, | | | |
| 112 | 24 PK | D02672 | 23 | | 22-12-11 | D05277J | 23 | L2 | 2 | VL806-VL810, VL871-VL880, VN968-VN970, VS131-VS132, VK001-VK080, VK131-VK140, VK161-VK190, VL001-VL040, VL751-VL790, VL796-VL805, VL891-VL940, VN001-VN050, VNI171-VN190, VN211-VN290, VN301-VN340, VN371-VN650, VN671-VN675, VN681-VN730, VN791-VN810, VN921-VN960, VN966-VN967, VN971-VN990, VR421-VR421, VR461-VR461, VR471-VR471, VS051-VS052, VS061-VS061, VS066-VS070, VS073-VS073, VS091-VS094, VS176-VS177, VS196-VS199, VS206-VS207, VS261-VS262, VS266-VS268, | | | |

286T1078-300
Wire Bundle Assembly
Figure 106 (Sheet 42)

25-71-01



COMPONENT
MAINTENANCE MANUAL

| WIRE | | FROM EQUIPMENT | | | TO EQUIPMENT | | | WIRE INFO | | |
|--------|--------|----------------|---------|----------|--------------|---------|---------|-----------|--------|--|
| NUMBER | GA TYP | NUMBER | TERM FT | WDM REF | NUMBER | TERM FT | EMC/SEP | FT | NOTES | EFFECTIVITY |
| 113 | 24 PK | D02672 | 23 | 22-12-11 | D05277J | 23 | L2 | 3 | | VK001-VK080, VK131-VK140, VK161-VK190, VL001-VL040, VL751-VL790, VL796-VL805, VL891-VL940, VN001-VN050, VNI171-VNI190, VN211-VN290, VN301-VN340, VN371-VN650, VN671-VN675, VN681-VN730, VN791-VN810, VN921-VN960, VN966-VN967, VN971-VN990, VR421-VR421, VR461-VR461, VR471-VR471, VS051-VS052, VS061-VS061, VS066-VS070, VS073-VS073, VS091-VS094, VS176-VS177, VS196-VS199, VS206-VS207, VS261-VS262, VS266-VS268, |
| 113 | 24 PK | D02672 | 23 | 22-12-11 | D05277J | 23 | L2 | 2 | | VL806-VL810, VL871-VL880, VN968-VN970, VS131-VS132, |
| 114 | 24 PK | D08112J | 14 | 21-51-11 | TB0248Y | C004 BJ | L2 | 3 | | VK001-VK009, VK021-VK022, VL012-VL040, VN211-VN212, VN241-VN241, |
| 114 | 24 PK | D08112J | 14 | 21-51-11 | TB0248Y | C004 BJ | L2 | 5 | | VK010-VK011, |
| 114 | 24 PK | D08112J | 14 | 21-51-11 | TB0248Y | CAP Y | L2 | 3 | | VK031-VK045, VL001-VL006, VN001-VN015, VNI171-VNI173, |
| 114 | 24 PK | D08112J | 14 | 21-51-11 | TB0248Y | C004 % | L2 | 3 | ECC-T2 | VL011-VL011, |
| 114 | 24 PK | D04978J | 6 | 21-51-21 | TB0182X | D016 BJ | L2 | 3 | | VN221-VN222, |
| 114 | 24 PK | D08112J | 14 | 21-51-11 | TB0248Y | CAP Y | L2 | 3 | ZS2-B6 | VN231-VN232, |
| 115 | 22 PA | D02672 | 8 | 27-58-21 | GDX0001 | A.. 2 | L2 | 4 | | VK001-VK080, VK131-VK140, VK161-VK190, VL001-VL040, VL751-VL790, VL796-VL805, VL891-VL940, VN001-VN050, VNI171-VNI190, VN211-VN290, VN301-VN340, VN371-VN650, VN671-VN675, VN681-VN730, VN791-VN810, VN921-VN960, VN966-VN967, VN971-VN990, VR421-VR421, VR461-VR461, VR471-VR471, VS051-VS052, VS061-VS061, VS066-VS070, VS073-VS073, VS091-VS094, VS176-VS177, VS196-VS199, VS206-VS207, VS261-VS262, VS266-VS268, |
| 115 | 22 PA | D02672 | 8 | 27-58-21 | GDX0001 | A.. 2 | L2 | 2 | | VL806-VL810, VL871-VL880, VN968-VN970, VS131-VS132, |
| 116 | 24 PK | D03742 | 29 | 21-26-11 | TB0158F | A020 2 | L2 | 3 | | VK001-VK080, VK131-VK140, VK161-VK190, VL001-VL040, VL751-VL790, VL796-VL805, VL891-VL940, VN001-VN050, VNI171-VNI190, VN211-VN290, VN301-VN340, VN371-VN650, VN671-VN675, VN681-VN730, VN791-VN810, VN921-VN960, VN966-VN967, VN971-VN990, VR421-VR421, VR461-VR461, VR471-VR471, VS051-VS052, VS061-VS061, VS066-VS070, VS073-VS073, VS091-VS094, VS176-VS177, VS196-VS199, VS206-VS207, VS261-VS262, VS266-VS268, |
| 116 | 24 PK | D03742 | 29 | 21-26-11 | TB0158F | A020 2 | L2 | 3 | | VL806-VL810, VL871-VL880, VN968-VN970, VS131-VS132, |

286T1078-300
Wire Bundle Assembly
Figure 106 (Sheet 43)

25-71-01

| WIRE | | FROM EQUIPMENT | | | TO EQUIPMENT | | | WIRE INFO | | |
|--------|--------|----------------|---------|----------|--------------|---------|---------|-----------|-------|--|
| NUMBER | GA TYP | NUMBER | TERM TT | WDM REF | NUMBER | TERM TT | EMC/SEP | FT | NOTES | EFFECTIVITY |
| 117 | 24 FK | D02672 | 7 | 27-58-21 | D08030J | 29 | L2 | 3 | | VK001-VK080, VK131-VK140, VK161-VK190, VL001-VL040, VL751-VL790, VL796-VL805, VL891-VL940, VN001-VN050, VN171-VN190, VN211-VN290, VN301-VN340, VN371-VN650, VN671-VN675, VN681-VN730, VN791-VN810, VN921-VN960, VN966-VN967, VN971-VN990, VR421-VR421, VR461-VR461, VR471-VR471, VS051-VS052, VS061-VS061, VS066-VS070, VS073-VS073, VS091-VS094, VS176-VS177, VS196-VS199, VS206-VS207, VS261-VS262, VS266-VS268, |
| 117 | 24 FK | D02672 | 7 | 27-58-21 | D08030J | 29 | L2 | 2 | | VL806-VL810, VL871-VL880, VN968-VN970, VS131-VS132, VK031-VK054, |
| 118 | 24 FK | D02160 | 40 | 73-21-15 | D08030J | 10 | L2 | 3 | | VK031-VK054, |
| 119 | 24 FK | D02160 | 21 | 73-21-15 | TR0182X | A014 | L2 | 4 | | VK031-VK054, |
| 120 | 24 FK | D02672 | 38 | 22-12-11 | D05277J | 24 | L2 | 3 | | VK001-VK080, VK131-VK140, VK161-VK190, VL001-VL040, VL751-VL790, VL796-VL805, VL891-VL940, VN001-VN050, VN171-VN190, VN211-VN290, VN301-VN340, VN371-VN650, VN671-VN675, VN681-VN730, VN791-VN810, VN921-VN960, VN966-VN967, VN971-VN990, VR421-VR421, VR461-VR461, VR471-VR471, VS051-VS052, VS061-VS061, VS066-VS070, VS073-VS073, VS091-VS094, VS176-VS177, VS196-VS199, VS206-VS207, VS261-VS262, VS266-VS268, |
| 120 | 24 FK | D02672 | 38 | 22-12-11 | D05277J | 24 | L2 | 2 | | VL806-VL810, VL871-VL880, VN968-VN970, VS131-VS132, |
| 121 | 24 FK | D02672 | 39 | 22-12-11 | D05277J | 25 | L2 | 3 | | VK001-VK080, VK131-VK140, VK161-VK190, VL001-VL040, VL751-VL790, VL796-VL805, VL891-VL940, VN001-VN050, VN171-VN190, VN211-VN290, VN301-VN340, VN371-VN650, VN671-VN675, VN681-VN730, VN791-VN810, VN921-VN960, VN966-VN967, VN971-VN990, VR421-VR421, VR461-VR461, VR471-VR471, VS051-VS052, VS061-VS061, VS066-VS070, VS073-VS073, VS091-VS094, VS176-VS177, VS196-VS199, VS206-VS207, VS261-VS262, VS266-VS268, |
| 121 | 24 FK | D02672 | 39 | 22-12-11 | D05277J | 25 | L2 | 2 | | VL806-VL810, VL871-VL880, VN968-VN970, VS131-VS132, |

 286T1078-300
 Wire Bundle Assembly
 Figure 106 (Sheet 44)

25-71-01

 TESTING & FAULT ISOLATION
 01 Page 118R
 Nov 01/02



BOEING
COMPONENT
MAINTENANCE MANUAL

| WIRE | | FROM EQUIPMENT | | | | TO EQUIPMENT | | | | WIRE INFO | | | |
|--------|----|----------------|---------|------|----|--------------|---------|------|----|-----------|----|-------|--|
| NUMBER | GA | TYP | NUMBER | TERM | TT | WDM REF | NUMBER | TERM | TT | EMC/SEP | FT | NOTES | EFFECTIVITY |
| 122 | 22 | PA | D02672 | 28 | | 73-21-19 | D08030J | 32 | | L2 | 3 | | VK001-VK080, VK131-VK140, VK161-VK190, VL001-VL040, VL751-VL790, VL796-VL805, VL891-VL940, VN001-VN050, VN171-VN190, VN211-VN290, VN301-VN340, VN371-VN650, VN671-VN675, VN681-VN730, VN791-VN810, VN921-VN960, VN966-VN967, VN971-VN990, VR421-VR421, VR461-VR461, VR471-VR471, VS051-VS052, VS061-VS061, VS066-VS070, VS073-VS073, VS091-VS094, VS176-VS177, VS196-VS199, VS206-VS207, VS261-VS262, VS266-VS268, |
| 122 | 22 | PA | D02672 | 28 | | 73-21-19 | D08030J | 32 | | L2 | 2 | | VL806-VL810, VL871-VL880, VN968-VN970, VS131-VS132, VK001-VK011, VR021-VK030, |
| 123 | 22 | PA | D02160 | 17 | | 73-21-19 | D08030J | 17 | | L2 | 3 | | VK031-VK054, |
| 123 | 22 | PA | D02160 | 60 | | 73-21-16 | TE0182X | C015 | BJ | L2 | 4 | | VK055-VK080, VK171-VK180, VL931-VL940, VN221-VN230, VN491-VN530, VN671-VN675, VN681-VN730, VN931-VN950, VN966-VN967, VN971-VN990, VR431-VR421, VR471-VR471, VS091-VS094, VS206-VS207, |
| 123 | 24 | PK | D02160 | 19 | | 73-21-19 | TE0248D | C022 | 2 | L2 | 4 | | VK161-VK170, VL011-VL040, VL796-VL805, VN171-VN190, VN211-VN220, VN241-VN290, VN371-VN420, VN531-VN545, VN551-VN633, VS061-VS061, VS066-VS070, |
| 123 | 24 | PK | D02160 | 19 | | 73-21-19 | TE0248D | C022 | 2 | L2 | 3 | | VL806-VL810, VL871-VL880, |
| 124 | 22 | PA | D02160 | 18 | | 73-21-19 | D08030J | 15 | | L2 | 3 | | VK001-VK011, VR021-VK030, |
| 124 | 22 | PA | D02160 | 62 | | 73-21-19 | TE0248Y | A004 | BJ | L2 | 4 | | VK012-VK020, VK031-VK054, VK131-VK140, VK181-VK190, VL001-VL010, VL751-VL790, VL891-VL930, VN001-VN050, VN231-VN240, VN301-VN340, VN421-VN490, VN546-VN550, VN634-VN650, VN791-VN810, VN921-VN930, VN951-VN960, VR461-VR461, VS051-VS052, VS176-VS177, VS196-VS199, VS261-VS262, |
| 124 | 24 | PV | D08030J | 15 | | 73-21-19 | TE0248Y | A013 | BJ | L2 | 4 | | VK055-VK080, VK171-VK180, VR421-VR421, VR471-VR471, |
| 124 | 24 | PV | TE0248Y | A013 | BJ | 73-21-19 | D08030J | 15 | | L2 | 3 | | VK161-VK170, VL011-VL040, VL796-VL805, VL931-VL940, VN171-VN190, VN211-VN230, VN241-VN290, VN371-VN420, VN491-VN545, VN551-VN633, VN671-VN675, VN681-VN730, VN931-VN950, VN966-VN967, VN971-VN990, VS061-VS061, VS066-VS070, VS073, VS091-VS094, VS206-VS207, |
| 124 | 24 | PV | TE0248Y | A013 | BJ | 73-21-19 | D08030J | 15 | | L2 | 2 | | VL806-VL810, VL871-VL880, |
| 124 | 22 | PA | D02160 | 62 | | 73-21-19 | TE0248Y | A004 | BJ | L2 | 3 | | VN968-VN970, VS131-VS132, |

286T1078-300
Wire Bundle Assembly
Figure 106 (Sheet 45)

25-71-01

| WIRE | | FROM EQUIPMENT | | | | TO EQUIPMENT | | | | WIRE INFO | | | |
|--------|--------|-----------------|----------|-----------------|--------|--------------|---------|----|--|-------------|--|--|--|
| NUMBER | CA TYP | NUMBER | TERM TT | WDM REF | NUMBER | TERM TT | EMC/SEP | FT | NOTES | EFFECTIVITY | | | |
| 124 | 22 PA | TE0248Y A004 BJ | 73-21-19 | D02160 | 62 | L2 | 3 | | VS073-VS073, VS266-VS268, | | | | |
| 124Z | | TE0248Y C014 BJ | 73-21-19 | D08030J | 27 | L2 | | | VK055-VK080, VK171-VK180, VL931-VL940, VN221-VN230, VN491-VN530, VN671-VN675, VN681-VN730, VN931-VN950, VN966-VN967, VN971-VN990, VR421-VR421, VR471-VR471, VS091-VS094, VS206-VS207, | | | | |
| 124Z | | D08030J | 73-21-19 | TE0248Y C014 BJ | | L2 | | | VK161-VK170, VL011-VL040, VL796-VL810, VL871-VL880, VN171-VN190, VN211-VN220, VN241-VN290, VN371-VN420, VN531-VN545, VN551-VN633, VS061-VS061, VS066-VS070, | | | | |
| 125 | 22 PA | D02160 | 73-21-19 | D08030J | 14 | R2 | 4 | | VK001-VK011, VK021-VK030, | | | | |
| 125 | 22 PA | D02160 | 73-21-19 | D08030J | 14 | R2 | 4 | | VK012-VK020, VK031-VK054, VK131-VK140, VK181-VK190, VL001-VL010, VL751-VL790, VL891-VL930, VN001-VN050, VN231-VN240, VN301-VN340, VN421-VN490, VN546-VN550, VN634-VN650, VN791-VN810, VN921-VN930, VN951-VN960, VR461-VR461, VS051-VS052, VS176-VS177, VS196-VS199, VS261-VS262, | | | | |
| 125 | 22 PA | D02160 | 73-21-19 | D08030J | 14 | R2 | 4 | | VK055-VK080, VK171-VK180, VL931-VL940, VN221-VN230, VN491-VN530, VN671-VN675, VN681-VN730, VN931-VN950, VN966-VN967, VN971-VN990, VR421-VR421, VR471-VR471, VS091-VS094, VS206-VS207, | | | | |
| 125 | 22 PA | D02160 | 73-21-19 | D08030J | 14 | R2 | 3 | | VK161-VK170, VL011-VL040, VL796-VL805, VN171-VN190, VN211-VN220, VN241-VN290, VN371-VN420, VN531-VN545, VN551-VN633, VS061-VS061, VS066-VS070, | | | | |
| 125 | 22 PA | D02160 | 73-21-19 | D08030J | 14 | R2 | 2 | | VL806-VL810, VL871-VL880, | | | | |
| 125 | 22 PA | D02160 | 73-21-19 | D08030J | 14 | R2 | 2 | | VN968-VN970, VS131-VS132, | | | | |
| 125 | 22 PA | D02160 | 73-21-19 | D08030J | 14 | R2 | 3 | | VS073-VS073, VS266-VS268, | | | | |
| 126 | 22 PA | D02160 | 73-21-19 | D08030J | 30 | L2 | 3 | | VK001-VK011, VK021-VK030, | | | | |
| 126 | 22 PA | D02160 | 73-21-19 | D08030J | 30 | L2 | 3 | | VK012-VK020, VK031-VK054, VK131-VK140, VK181-VK190, VL001-VL010, VL751-VL790, VL891-VL930, VN001-VN050, VN231-VN240, VN301-VN340, VN421-VN490, VN546-VN550, VN634-VN650, VN791-VN810, VN921-VN930, VN951-VN960, VR461-VR461, VS051-VS052, VS073-VS073, VS176-VS177, VS196-VS199, VS261-VS262, VS266-VS268, | | | | |

286T1078-300
Wire Bundle Assembly
Figure 106 (Sheet 46)

25-71-01



BOEING
COMPONENT
MAINTENANCE MANUAL

| WIRE | | FROM EQUIPMENT | | | TO EQUIPMENT | | | WIRE INFO | | | |
|--------|---------|----------------|---------|----------|--------------|---------|---------|-----------|-------|--|--|
| NUMBER | GA. TYP | NUMBER | TERM TT | WDM REF | NUMBER | TERM TT | EMC/SEP | FT | NOTES | EFFECTIVITY | |
| 126 | 22 PA | D02160 | 35 | 73-21-19 | D08030J | 31 | L2 | 3 | | VK055-VK080, VK161-VK180, VL011-VL040, VL796-VL805, VNI171-VNI190, VN211-VN220, VN241-VN290, VN371-VN420, VNS331-VNS45, VNS511-VN633, VR421-VR421, VR471-VR471, VS061-VS061, VS066-VS070, | |
| 126 | 22 PA | D02160 | 35 | 73-21-19 | D08030J | 31 | L2 | 2 | | VL806-VL810, VL871-VL880, | |
| 126 | 22 PA | D02160 | 35 | 73-21-19 | D08030J | 31 | L2 | 4 | | VL931-VL940, VN221-VN230, VN491-VN530, VN671-VN675, VN681-VN730, VN931-VN950, VN966-VN967, VN971-VN990, VS091-VS094, VS206-VS207, | |
| 126 | 22 PA | D02160 | 32 | 73-21-19 | D08030J | 30 | L2 | 2 | | VN968-VN970, VS131-VS132, | |
| 127 | 22 PA | D02160 | 44 | 73-21-17 | GDX0001 | D.. | L2 | 4 | | VK001-VK011, VK021-VK030, | |
| 127 | 22 PA | D02160 | 43 | 73-21-17 | GDX0001 | D.. | L2 | 4 | | VK012-VK020, VK031-VK054, VK131-VK140, VK181-VK190, VL001-VL010, VL751-VL790, VL891-VL930, VN001-VN050, VN231-VN240, VN301-VN340, VN421-VN490, VNS46-VNS50, VN634-VN650, VN791-VN810, VN921-VN930, VN951-VN960, VR461-VR461, VS051-VS052, VS073-VS073, VS176-VS177, VS196-VS199, VS261-VS262, VS266-VS268, | |
| 127 | 22 PA | D02160 | 64 | 73-21-17 | GDX0001 | D.. | L2 | 4 | | VK055-VK080, VK161-VK180, VL011-VL040, VL796-VL805, VL931-VL940, VNI171-VNI190, VN211-VN230, VN241-VN290, VN371-VN420, VN491-VN545, VNS511-VN633, VN671-VN675, VN681-VN730, VN931-VN950, VN966-VN967, VN971-VN990, VR421-VR421, VR471-VR471, VS061-VS061, VS066-VS070, VS091-VS094, VS206-VS207, | |
| 127 | 22 PA | D02160 | 64 | 73-21-17 | GDX0001 | D.. | L2 | 2 | | VL806-VL810, VL871-VL880, | |
| 127 | 22 PA | D02160 | 43 | 73-21-17 | GDX0001 | D.. | L2 | 2 | | VN968-VN970, VS131-VS132, | |
| 128 | 24 PV | D02160 | 12 | 73-21-17 | D08030J | 9 | L2 | 3 | | VK001-VK011, VK021-VK030, | |
| 128 | 24 PK | D02160 | 46 | 73-21-17 | D08030J | 9 | L2 | 3 | | VK031-VK054, | |
| 128Z | | D02160 | | 73-21-17 | D08030J | | L2 | | | VK001-VK011, VK021-VK030, | |
| 129 | 24 PV | D02160 | 45 | 73-21-17 | TB0182X | B015 | L2 | 4 | | VK001-VK011, VK021-VK030, | |
| 129 | 24 PK | D02160 | 10 | 73-21-17 | TB0182X | A013 | L2 | 4 | | VK031-VK054, | |
| 129Z | | D02160 | | 73-21-17 | TB0182X | A015 | L2 | | | VK001-VK011, VK021-VK030, | |
| 13A | 20 UA | D02160 | | 73-21-12 | GDX0001 | S.. | L2 | 4 | | VK161-VK170, VL011-VL040, VNI171-VNI190, VN211-VN220, VN241-VN250, VN371-VN420, VN491-VN545, VNS511-VN633, VS061-VS061, VS091-VS094, | |
| 130 | 24 PK | D02160 | 9 | 22-32-13 | D05277J | 11 | L2 | 3 | | VK001-VK011, VK021-VK030, | |

286T1078-300
Wire Bundle Assembly
Figure 106 (Sheet 47)

25-71-01

| WIRE | | FROM EQUIPMENT | | | TO EQUIPMENT | | | WIRE INFO | | | | | |
|--------|----|----------------|--------|------|--------------|----------|---------|-----------|----|---------|----|-------|--|
| NUMBER | GA | TYP | NUMBER | TERM | TT | WDM REF | NUMBER | TERM | TT | EMC/SEP | FT | NOTES | EFFECTIVITY |
| 130 | 24 | PK | D02160 | 41 | | 22-32-13 | D05277J | 11 | | L2 | 3 | | VK012-VK020, VK031-VK054, VK131-VK140, VK181-VK190, VL001-VL010, VL751-VL790, VL891-VL930, VN001-VN050, VM231-VN240, VN301-VN340, VM421-VN490, VN546-VN550, VN634-VN650, VN791-VN810, VN921-VN930, VN951-VN960, VR461-VR461, VS051-VS052, VS073-VS073, VS176-VS177, VS196-VS199, VS261-VS262, VS266-VS268, |
| 130 | 24 | PK | D02160 | 62 | | 22-32-13 | D05277J | 11 | | L2 | 3 | | VK055-VK080, VK161-VK180, VL011-VL040, VL796-VL805, VN171-VN190, VN211-VN220, VN241-VN290, VN371-VN420, VN531-VN545, VN551-VN633, VR421-VR421, VR471-VR471, VS061-VS061, VS066-VS070, |
| 130 | 24 | PK | D02160 | 62 | | 22-32-13 | D05277J | 11 | | L2 | 2 | | VL806-VL810, VL871-VL880, |
| 130 | 24 | PK | D02160 | 62 | | 22-32-13 | D05277J | 11 | | L2 | 4 | | VL931-VL940, VN221-VN230, VN491-VN530, VN671-VN675, VN681-VN730, VN931-VN950, VN966-VN967, VN971-VN990, VS091-VS094, VS206-VS207, |
| 130 | 24 | PK | D02160 | 41 | | 22-32-13 | D05277J | 11 | | L2 | 2 | | VN968-VN970, VS131-VS132, |
| 131 | 24 | PV | D02160 | 8 | | 73-21-11 | TB0248Z | 5 | BJ | L2 | 4 | | VK001-VK011, VK021-VK030, |
| 131Z | 24 | PV | D02160 | 8 | | 73-21-11 | TB0248Z | 6 | BJ | L2 | 4 | | VK001-VK011, VK021-VK030, |
| 132 | 20 | UA | D02160 | 4 | | 73-21-11 | GDX0001 | S.. | 2 | L2 | 4 | | VK001-VK011, VK021-VK030, |
| 132 | 20 | UA | D02160 | 8 | | 73-21-17 | GDX0001 | S.. | 2 | L2 | 4 | | VK055-VK080, VK171-VK180, VL931-VL940, VN223-VN230, VN671-VN675, VN681-VN730, VN931-VN950, VN966-VN967, VN971-VN990, VR421-VR421, VR471-VR471, VS206-VS207, |
| 132 | 20 | UA | D02160 | 4 | | 73-21-17 | GDX0001 | S.. | 2 | L2 | 4 | | VK161-VK170, VL011-VL040, VL796-VL805, VN171-VN190, VN211-VN220, VN241-VN290, VN371-VN420, VN491-VN545, VN551-VN633, VS061-VS061, VS066-VS070, VS091-VS094, |
| 132 | 20 | UA | D02160 | 4 | | 73-21-17 | GDX0001 | S.. | 2 | L2 | 2 | | VL806-VL810, VL871-VL880, |
| 132 | 20 | UA | D02160 | 4 | | 73-21-17 | GDX0001 | S.. | 2 | L2 | 4 | | VN221-VN222, |
| 133 | 24 | PV | D02160 | 4 | | 73-21-12 | D08030J | 6 | | L2 | 3 | | VK001-VK011, VK021-VK030, |
| 133 | 24 | PV | D02160 | 8 | | 73-21-12 | D08030J | 6 | | L2 | 4 | | VK055-VK080, VK171-VK180, VL931-VL940, VN221-VN230, VN491-VN530, VN671-VN675, VN681-VN730, VN931-VN950, VN966-VN967, VN971-VN990, VR421-VR421, VR471-VR471, VS091-VS094, VS206-VS207, |

 286T1078-300
 Wire Bundle Assembly
 Figure 106 (Sheet 48)

25-71-01

 TESTING & FAULT ISOLATION
 01 Page 118V
 Nov 01/02



BOEING
COMPONENT
MAINTENANCE MANUAL

| WIRES | | FROM EQUIPMENT | | | | TO EQUIPMENT | | | | WIRES INFO | | | |
|--------|--------|----------------|---------|----------|---------|--------------|---------|----|-------|---|--|--|--|
| NUMBER | GA TYP | NUMBER | TERM TT | WDM REF | NUMBER | TERM TT | EMC/SEP | FT | NOTES | EFFECTIVITY | | | |
| 133 | 24 FV | D02160 | 8 | 73-21-12 | D08030J | 6 | L2 | 3 | | VK161-VK170, VL011-VL040, VL796-VL805, VN171-VN190, VN211-VN220, VN241-VN290, VN371-VN420, VN531-VN545, VN551-VN633, VS061-VS061, VS066-VS070, VL806-VL810, VL871-VL880, VK001-VK011, VK021-VK030, VN221-VN222, VK055-VK080, VK171-VK180, VL931-VL940, VN223-VN230, VN671-VN675, VN681-VN730, VN931-VN950, VN966-VN967, VN971-VN990, VR421-VR421, VR471-VR471, VS206-VS207, | | | |
| 133 | 24 PV | D02160 | 8 | 73-21-12 | D08030J | 6 | L2 | 2 | | | | | |
| 133Z | | D02160 | | 73-21-12 | D08030J | | L2 | | | | | | |
| 133Z | | D02160 | | 73-21-12 | D08030J | | L2 | | | | | | |
| 133Z | | D02160 | | 73-21-12 | D08030J | | L2 | | | | | | |
| 133Z | | D02160 | | 73-21-12 | D08030J | | L2 | | | | | | |
| 133Z | | D02160 | | 73-21-12 | D08030J | | L2 | | | | | | |
| 134 | 24 FV | D02160 | 3 | 73-21-12 | D08030J | 33 | L2 | 3 | | VK001-VK011, VK021-VK030, VK055-VK080, VK171-VK180, VL931-VL940, VN223-VN230, VN491-VN530, VN671-VN675, VN681-VN730, VN931-VN950, VN966-VN967, VN971-VN990, VR421-VR421, VR471-VR471, VS091-VS094, VS206-VS207, | | | |
| 134 | 24 FK | D02160 | 7 | 73-21-12 | D08030J | 33 | L2 | 4 | | | | | |
| 134 | 24 FK | D02160 | 7 | 73-21-12 | D08030J | 33 | L2 | 3 | | | | | |
| 134 | 24 FK | D02160 | 7 | 73-21-12 | D08030J | 33 | L2 | 2 | | | | | |
| 134Z | | D02160 | | 73-21-12 | D08030J | | L2 | 4 | | | | | |
| 135 | 24 FK | D05209J | 20 | 31-51-42 | TS0182D | A026 | L2 | 3 | | VK001-VK011, VK021-VK030, VN221-VN222, VK001-VK080, VK131-VK140, VK161-VK190, VL001-VL040, VL751-VL790, VL796-VL805, VL891-VL940, VN001-VN050, VN171-VN190, VN211-VN290, VN301-VN340, VN371-VN650, VN671-VN675, VN681-VN730, VN791-VN810, VN921-VN960, VN966-VN967, VN971-VN990, VR421-VR421, VR461-VR461, VR471-VR471, VS051-VS052, VS061-VS061, VS066-VS070, VS073-VS073, VS091-VS094, VS176-VS177, VS196-VS199, VS206-VS207, VS261-VS262, VS266-VS268, | | | |
| 135 | 24 FK | D05209J | 20 | 31-51-42 | TS0182D | A026 | L2 | 2 | | VL806-VL810, VL871-VL880, VN966-VN970, VS131-VS132, | | | |

286T1078-300
Wire Bundle Assembly
Figure 106 (Sheet 49)

25-71-01

| WIRE | | FROM EQUIPMENT | | | TO EQUIPMENT | | | WIRE INFO | | | | | |
|--------|----|----------------|---------|------|--------------|----------|---------|-----------|----|---------|----|-------|--|
| NUMBER | GA | TYP | NUMBER | TERM | TT | WDM REF | NUMBER | TERM | TT | EMC/SEP | FT | NOTES | EFFECTIVITY |
| 136 | 24 | PK | D08068J | 30 | | 36-11-41 | TB0248Y | A003 | BJ | L2 | 3 | | VK001-VK080, VK131-VK140, VK161-VK190, VL001-VL040, VL751-VL790, VL796-VL805, VL891-VL940, VN001-VN050, VN171-VN190, VN211-VN290, VN301-VN340, VN371-VN650, VN671-VN675, VN681-VN730, VN791-VN810, VN921-VN960, VN966-VN967, VN971-VN990, VR421-VR421, VR461-VR461, VR471-VR471, VS051-VS052, VS061-VS061, VS066-VS070, VS073-VS073, VS091-VS094, VS176-VS177, VS196-VS199, VS206-VS207, VS261-VS262, VS266-VS268, |
| 136 | 24 | PK | D08068J | 30 | | 36-11-41 | TB0248Y | A003 | BJ | L2 | 2 | | VL806-VL810, VN968-VN970, VS131-VS132, |
| 137 | 24 | PK | TB0182X | D015 | BJ | 73-21-16 | D02160 | 61 | | L2 | 4 | | VK012-VK020, VK031-VK054, VK131-VK140, VK181-VK190, VL001-VL010, VL751-VL790, VL891-VL930, VN001-VN050, VN231-VN240, VN301-VN340, VN421-VN490, VN546-VN550, VN634-VN650, VN791-VN810, VN921-VN930, VN951-VN960, VR461-VR461, VS051-VS052, VS073-VS073, VS176-VS177, VS196-VS199, VS261-VS262, VS266-VS268, |
| 137 | 24 | PK | TB0182X | D015 | BJ | 73-21-16 | D02160 | 61 | | L2 | 3 | | VN968-VN970, VS131-VS132, |
| 138 | 24 | FV | D02160 | 40 | | 73-21-12 | D04978J | 55 | | L2 | 4 | | VK055-VK080, VK161-VK180, VL796-VL805, VL931-VL940, VN221-VN230, VN241-VN250, VN371-VN420, VN491-VN545, VN551-VN633, VN671-VN675, VN681-VN730, VN931-VN950, VN966-VN967, VN971-VN990, VR421-VR421, VR471-VR471, VS091-VS094, VS206-VS207, |
| 138 | 24 | PK | D02160 | 40 | | 73-21-12 | D04978J | 55 | | L2 | 3 | | VL011-VL040, VN171-VN190, VN211-VN220, VS061-VS061, VL806-VL810, |
| 138 | 24 | FV | D02160 | 40 | | 73-21-12 | D04978J | 55 | | L2 | 3 | | VN251-VN290, VS066-VS070, |
| 138F | 20 | UA | D02160 | 40 | | 73-21-12 | GDX0001 | S.. | 2 | L2 | 4 | | VK055-VK080, VK171-VK180, VL796-VL805, VL931-VL940, VN671-VN675, VN681-VN730, VN931-VN950, VR421-VR421, VR471-VR471, VS206-VS207, |
| 138F | 20 | UA | D02160 | 40 | | 73-21-12 | GDX0001 | S.. | 2 | L2 | 2 | | VL806-VL810, |
| 138F | 20 | UA | D02160 | 40 | | 73-21-12 | GDX0001 | S.. | 2 | L2 | 3 | | VN223-VN230, VN251-VN290, VN966-VN967, VN971-VN990, VS066-VS070, |

 286T1078-300
 Wire Bundle Assembly
 Figure 106 (Sheet 50)

25-71-01

 TESTING & FAULT ISOLATION
 01 Page 118X
 Nov 01/02



BOEING
COMPONENT
MAINTENANCE MANUAL

| WIRE | | FROM EQUIPMENT | | | TO EQUIPMENT | | | WIRE INFO | | |
|--------|--------|----------------|---------|----------|--------------|---------|---------|-----------|-------|---|
| NUMBER | GA TYP | NUMBER | TERM TT | WDM REF | NUMBER | TERM TT | EMC/SEP | FT | NOTES | EFFECTIVITY |
| 138Z | | D02160 | | 73-21-12 | D04978J | 54 | L2 | | | VK055-VK080, VK161-VK180, VL796-VL810, VL931-VL940, VN223-VN230, VN241-VN290, VN371-VN420, VN491-VN545, VN551-VN633, VN671-VN675, VN681-VN730, VN931-VN950, VN966-VN967, VN971-VN990, VR421-VR421, VR471-VR471, VS066-VS070, VS091-VS094, VS206-VS207, VN221-VN222, VK031-VK054, VK055-VK080, VK171-VK180, VL931-VL940, VN221-VN230, VN491-VN530, VN671-VN675, VN681-VN730, VN931-VN950, VN966-VN967, VN971-VN990, VR421-VR421, VR471-VR471, VS091-VS094, VS206-VS207, VK161-VK170, VL011-VL040, VL796-VL805, VN171-VN190, VN211-VN220, VN241-VN290, VN371-VN420, VN531-VN545, VN551-VN633, VS061-VS061, VS066-VS070, VL806-VL810, VN241-VN250, VN371-VN420, VN491-VN545, VN551-VN633, VS094, VK055-VK080, VK161-VK180, VL011-VL040, VL796-VL810, VL931-VL940, VN171-VN190, VN211-VN220, VN223-VN230, VN251-VN290, VN671-VN675, VN681-VN730, VN931-VN950, VN966-VN967, VN971-VN990, VR421-VR421, VR471-VR471, VS061-VS061, VS066-VS070, VS206-VS207, VN221-VN222, VN241-VN250, VN371-VN420, VN491-VN545, VN551-VN633, VS091-VS094, VK001-VK011, VK021-VK030, VK012-VK020, VK031-VK054, VK131-VK140, VK181-VK190, VL001-VL010, VL751-VL790, VL891-VL930, VN001-VN050, VN231-VN240, VN301-VN340, VN421-VN490, VN546-VN550, VN634-VN650, VN791-VN810, VN921-VN930, VN951-VN960, VR461-VR461, VS051-VS052, VS073-VS073, VS176-VS177, VS196-VS199, VS261-VS262, VS266-VS268, |
| 138Z | | D02160 | | 73-21-12 | D04978J | 54 | L2 | | | |
| 139 | 24PK | D02160 | 48 | 73-21-17 | TB0182X | B013 | BJ | 4 | | |
| 139 | 24PV | D02160 | 41 | 73-21-12 | TB0248Z | 7 | BJ | 5 | | |
| 139 | 24PV | D02160 | 41 | 73-21-12 | TB0248Z | 7 | BJ | 3 | | |
| 139F | 20UA | D02160 | | 73-21-12 | GDX0001 | S.. | 2 | 4 | | |
| 139Z | | D02160 | | 73-21-12 | TB0248Z | 8 | BJ | L2 | | |
| 140 | 24PK | D02160 | 35 | 73-21-17 | D08030J | 36 | L2 | 3 | | |
| 140 | 24PK | D02160 | 9 | 73-21-17 | D08030J | 36 | L2 | 3 | | |

286T1078-300
Wire Bundle Assembly
Figure 106 (Sheet 51)

25-71-01

TESTING & FAULT ISOLATION
01 Page 118Y
Nov 01/02

| WIRE | | FROM EQUIPMENT | | | TO EQUIPMENT | | | WIRE INFO | | |
|--------|--------|----------------|---------|----------|--------------|---------|---------|-----------|-------|--|
| NUMBER | GA TYP | NUMBER | TERM TT | WDM REF | NUMBER | TERM TT | EMC/SEP | FT | NOTES | EFFECTIVITY |
| 140 | 24 PK | D02160 | 61 | 73-21-17 | D08030J | 36 | L2 | 3 | | VK055-VK080, VK161-VK180, VL011-VL040, VL796-VL805, VNI171-VN190, VN211-VN220, VN241-VN290, VN371-VN420, VN531-VN545, VN551-VN633, VR421-VR421, VR471-VR471, VS061-VS061, VS066-VS070, VL806-VL810, VL871-VL880, VN931-VL940, VN921-VN230, VN491-VN530, VN671-VN675, VN681-VN730, VN931-VN950, VN966-VN967, VN971-VN990, VS091-VS094, VS206-VS207, VN968-VN970, VS131-VS132, VK001-VK011, VK021-VK030, VK012-VK020, VK031-VK054, VK131-VK140, VK181-VK190, VL001-VL010, VL751-VL790, VL891-VL930, VN001-VN050, VN231-VN240, VN301-VN340, VN421-VN490, VN546-VN550, VN634-VN650, VN791-VN810, VN921-VN930, VN951-VN960, VR461-VR461, VS051-VS052, VS176-VS177, VS196-VS199, VS261-VS262, VK055-VK080, VK161-VK180, VL011-VL040, VNI171-VN190, VN211-VN220, VN241-VN250, VN371-VN420, VN531-VN545, VN551-VN633, VR421-VR421, VR471-VR471, VS061-VS061, VL796-VL805, VN251-VN290, VS066-VS070, VL806-VL810, VL871-VL880, VL931-VL940, VN221-VN230, VN491-VN530, VN671-VN675, VN681-VN730, VN931-VN950, VN966-VN967, VN971-VN990, VS091-VS094, VS206-VS207, VN968-VN970, VS131-VS132, VS073-VS073, VS266-VS268, VK001-VK011, VK021-VK030, VK031-VK054, VL001-VL010, VN001-VN050, VN301-VN340, VS196-VS199, VK001-VK011, VK021-VK030, VK001-VK011, VK021-VK030, |
| 140 | 24 PK | D02160 | 61 | 73-21-17 | D08030J | 36 | L2 | 2 | | |
| 140 | 24 PK | D02160 | 61 | 73-21-17 | D08030J | 36 | L2 | 4 | | |
| 140 | 24 PK | D02160 | 9 | 73-21-17 | D08030J | 36 | L2 | 2 | | |
| 141 | 24 PK | D02160 | 49 | 73-21-16 | D08030J | 34 | L2 | 3 | | |
| 141 | 24 PK | D02160 | 36 | 73-21-16 | D08030J | 34 | L2 | 3 | | |
| 141 | 24 PK | D02160 | 54 | 73-21-16 | D08030J | 34 | L2 | 3 | | |
| 141 | 24 PK | D02160 | 54 | 73-21-16 | D08030J | 1 | L2 | 4 | | |
| 141 | 24 PK | D02160 | 54 | 73-21-16 | D08030J | 34 | L2 | 2 | | |
| 141 | 24 PK | D02160 | 54 | 73-21-16 | D08030J | 1 | L2 | 2 | | |
| 141 | 24 PK | D02160 | 54 | 73-21-16 | D08030J | 34 | L2 | 4 | | |
| 141 | 24 PK | D02160 | 36 | 73-21-16 | D08030J | 34 | L2 | 2 | | |
| 141 | 24 PK | D02160 | 36 | 73-21-16 | D08030J | 34 | L2 | 4 | | |
| 142 | 24 PV | D02160 | 53 | 73-21-16 | D08030J | 8 | L2 | 3 | | |
| 142 | 24 PK | D02160 | 1 | 73-21-16 | D08030J | 8 | L2 | 3 | | |
| 142Z | 24 PK | D02160 | 48 | 73-21-16 | D08030J | 8 | L2 | 3 | | |
| 143 | 24 PK | D02160 | 48 | 22-32-13 | D05277J | 8 | L2 | 3 | | |

286T1078-300
Wire Bundle Assembly
Figure 106 (Sheet 52)

25-71-01



BOEING
COMPONENT
MAINTENANCE MANUAL

| WIRE | | FROM EQUIPMENT | | | TO EQUIPMENT | | | WIRE INFO | | |
|--------|--------|----------------|---------|----------|--------------|---------|---------|-----------|-------|--|
| NUMBER | GA TYP | NUMBER | TERM TT | WDM REF | NUMBER | TERM TT | EMC/SEP | FT | NOTES | EFFECTIVITY |
| 143 | 24 FK | D02160 | 2 | 22-32-13 | D05277J | 8 | L2 | 3 | | VK012-VK020, VK031-VK054, VK131-VK140, VK181-VK190, VL001-VL010, VL751-VL790, VL891-VL930, VN001-VN050, VN231-VN240, VN301-VN340, VN421-VN490, VN546-VN550, VN634-VN650, VN791-VN810, VN921-VN930, VN951-VN960, VR461-VR461, VS051-VS052, VS073-VS073, VS176-VS177, VS196-VS199, VS261-VS262, VS266-VS268, |
| 143 | 24 FK | D02160 | 53 | 22-32-13 | D05277J | 8 | L2 | 3 | | VK055-VK080, VK161-VK180, VL011-VL040, VL796-VL805, VN171-VN190, VN211-VN220, VN241-VN290, VN371-VN420, VN531-VN545, VN551-VN633, VR421-VR421, VR471-VR471, VS061-VS061, VS066-VS070, |
| 143 | 24 FK | D02160 | 53 | 22-32-13 | D05277J | 8 | L2 | 2 | | VL806-VL810, VL871-VL880, |
| 143 | 24 FK | D02160 | 53 | 22-32-13 | D05277J | 8 | L2 | 4 | | VL931-VL940, VN221-VN230, VN491-VN530, VN671-VN675, VN681-VN730, VN931-VN950, VN966-VN967, VN971-VN990, VS091-VS094, VS206-VS207, |
| 143 | 24 FK | D02160 | 2 | 22-32-13 | D05277J | 8 | L2 | 2 | | VN968-VN970, VS131-VS132, |
| 144 | 24 FK | D02160 | 56 | 73-21-17 | TB0182X | D012 BJ | R2 | 4 | | VK001-VK011, VK021-VK030, |
| 144 | 24 FK | D02160 | 26 | 73-21-17 | TB0182X | D012 BJ | R2 | 4 | | VK012-VK020, VK031-VK054, VK131-VK140, VK181-VK190, VL001-VL010, VL751-VL790, VL891-VL930, VN001-VN050, VN231-VN240, VN301-VN340, VN421-VN490, VN546-VN550, VN634-VN650, VN791-VN810, VN921-VN930, VN951-VN960, VR461-VR461, VS051-VS052, VS073-VS073, VS176-VS177, VS196-VS199, VS261-VS262, VS266-VS268, |
| 144 | 24 FK | D02160 | 32 | 73-21-17 | TB0182X | D012 BJ | R2 | 4 | | VK055-VK080, VK161-VK180, VL011-VL040, VL796-VL805, VL931-VL940, VN171-VN190, VN211-VN230, VN241-VN290, VN371-VN420, VN491-VN545, VN551-VN633, VN671-VN675, VN681-VN730, VN931-VN950, VN966-VN967, VN971-VN990, VR421-VR421, VR471-VR471, VS061-VS061, VS066-VS070, VS091-VS094, VS206-VS207, |
| 144 | 24 FK | D02160 | 32 | 73-21-17 | TB0182X | D012 BJ | R2 | 3 | | VL806-VL810, VL871-VL880, |
| 144 | 24 FK | D02160 | 26 | 73-21-17 | TB0182X | D012 BJ | R2 | 3 | | VN968-VN970, VS131-VS132, |
| 145 | 24 FK | D02160 | 55 | 22-32-13 | D05277J | 10 | L2 | 3 | | VK001-VK011, VK021-VK030, |

286T1078-300
Wire Bundle Assembly
Figure 106 (Sheet 53)

25-71-01

TESTING & FAULT ISOLATION
01

Page 119
Nov 01/02

| WIRE | | FROM EQUIPMENT | | | TO EQUIPMENT | | | WIRE INFO | | | |
|--------|--------|----------------|---------|----------|--------------|---------|---------|-----------|-------|---|--|
| NUMBER | GA TYP | NUMBER | TERM TT | WDM REF | NUMBER | TERM TT | EMC/SEP | FT | NOTES | EFFECTIVITY | |
| 145 | 24 PK | D02160 | 15 | 22-32-13 | D05277J | 10 | L2 | 3 | | VK012-VK020, VK031-VK054, VK131-VK140, VK181-VK190, VL001-VL010, VL751-VL790, VL891-VL930, VN001-VN050, VN231-VN240, VN301-VN340, VN421-VN490, VN546-VN550, VN634-VN650, VN791-VN810, VN921-VN930, VN951-VN960, VR461-VR461, VS051-VS052, VS073-VS073, VS176-VS177, VS196-VS199, VS261-VS262, VS266-VS266, | |
| 145 | 24 PK | D02160 | 30 | 22-32-13 | D05277J | 10 | L2 | 3 | | VK055-VK080, VK161-VK180, VL011-VL040, VL796-VL805, VN171-VN190, VN211-VN220, VN241-VN290, VN371-VN420, VN531-VN545, VN551-VN633, VR421-VR421, VR471-VR471, VS061-VS061, VS066-VS070, | |
| 145 | 24 PK | D02160 | 30 | 22-32-13 | D05277J | 10 | L2 | 2 | | VL806-VL810, VL871-VL880, | |
| 145 | 24 PK | D02160 | 30 | 22-32-13 | D05277J | 10 | L2 | 4 | | VL931-VL940, VN221-VN230, VN491-VN530, VN671-VN675, VN681-VN730, VN931-VN950, VN966-VN967, VN971-VN990, VS091-VS094, VS206-VS207, | |
| 145 | 24 PK | D02160 | 15 | 22-32-13 | D05277J | 10 | L2 | 2 | | VN968-VN970, VS131-VS132, | |
| 146 | 24 PK | TB0182X | C012 BJ | 73-21-17 | D08030J | 37 | R2 | 3 | | VK001-VK011, VK021-VK030, VK055-VK080, VK161-VK180, VL011-VL040, VL796-VL805, VL931-VL940, VN171-VN190, VN211-VN230, VN241-VN290, VN371-VN420, VN491-VN545, VN551-VN633, VN671-VN675, VN681-VN730, VN931-VN950, VN966-VN967, VN971-VN990, VR421-VR421, VR471-VR471, VS061-VS061, VS066-VS070, VS091-VS094, VS206-VS207, | |
| 146 | 24 PK | D02160 | 49 | 73-21-17 | D08030J | 37 | R2 | 3 | | VK012-VK020, VK031-VK054, VK131-VK140, VK181-VK190, VL001-VL010, VL751-VL790, VL891-VL930, VN001-VN050, VN231-VN240, VN301-VN340, VN421-VN490, VN546-VN550, VN634-VN650, VN791-VN810, VN921-VN930, VN951-VN960, VR461-VR461, VS051-VS052, VS176-VS177, VS196-VS199, VS261-VS262, | |
| 146 | 24 PK | TB0182X | C012 BJ | 73-21-17 | D08030J | 37 | R2 | 2 | | VL806-VL810, VL871-VL880, | |
| 146 | 24 PK | D02160 | 49 | 73-21-17 | D08030J | 37 | R2 | 2 | | VN968-VN970, VS131-VS132, | |
| 146 | 24 PK | D02160 | 49 | 73-21-17 | D08030J | 37 | R2 | 3 | | VK073-VK073, VS266-VS266, | |
| 147 | 24 PK | D02160 | 19 | 73-21-15 | TB0182X | B014 BJ | L2 | 4 | | VK031-VK054, | |
| 147 | 24 PK | D02160 | 19 | 73-21-15 | TB0182G | 24 | L2 | 4 | | VL001-VL010, VN001-VN050, VN301-VN340, VS196-VS199, | |
| 148 | 24 PK | D02160 | 55 | 73-21-15 | TB0182X | C014 BJ | L2 | 4 | | VK031-VK054, VL001-VL010, VN001-VN050, VS196-VS199, | |

286T1078-300
Wire Bundle Assembly
Figure 106 (Sheet 54)

25-71-01



BOEING
COMPONENT
MAINTENANCE MANUAL

| WIRE | | FROM EQUIPMENT | | | | TO EQUIPMENT | | | | WIRE INFO | | | |
|--------|--------|----------------|---------|----------|---------|--------------|---------|----|-------|---|--|--|--|
| NUMBER | GA TYP | NUMBER | TERM FT | WDM REF | NUMBER | TERM FT | EMC/SEP | FT | NOTES | EFFECTIVITY | | | |
| 148 | 24 PK | D02160 | 55 | 73-21-15 | TB0182Y | A014 | BJ | L2 | 4 | VN301-VN340, | | | |
| 149 | 24 PV | TB0248Z | 7 | 73-21-17 | D08030J | 4 | | L2 | 3 | VK001-VK011, VK021-VK030, VK055-VK080, VK161-VK180, VL011-VL040, VL796-VL805, VL931-VL940, VN171-VN190, VN211-VN230, VN241-VN290, VN371-VN420, VN491-VN545, VN551-VN633, VN671-VN675, VN681-VN730, VN931-VN950, VN966-VN967, VN971-VN990, VR421-VR421, VR471-VR471, VS061-VS061, VS066-VS070, VS091-VS094, VS206-VS207, | | | |
| 149 | 24 PV | TB0248Z | 7 | 73-21-17 | D08030J | 4 | | L2 | 2 | VL806-VL810, | | | |
| 149Z | | TB0248Z | 8 | 73-21-17 | D08030J | | | L2 | | VK001-VK011, VK021-VK030, VN221-VN222, | | | |
| 149Z | | TB0248Z | 8 | 73-21-17 | D08030J | | | L2 | | VK055-VK080, VK161-VK180, VL011-VL040, VL796-VL810, VL931-VL940, VN171-VN190, VN211-VN220, VN223-VN230, VN241-VN290, VN371-VN420, VN491-VN545, VN551-VN633, VN671-VN675, VN681-VN730, VN931-VN950, VN966-VN967, VN971-VN990, VR421-VR421, VR471-VR471, VS061-VS061, VS066-VS070, VS091-VS094, VS206-VS207, | | | |
| 150 | 24 PV | D02160 | 46 | 73-21-17 | D08030J | 39 | | L2 | 3 | VK001-VK011, VK021-VK030, | | | |
| 150 | 24 PK | D02160 | 24 | 73-21-17 | D08030J | 39 | | L2 | 3 | VK031-VK054, | | | |
| 150Z | | D02160 | | 73-21-17 | D08030J | | | L2 | | VK001-VK011, VK021-VK030, | | | |
| 151 | 24 PV | TB0182X | A012 | 73-21-16 | D08030J | 7 | | L2 | 3 | VK001-VK011, VK021-VK030, | | | |
| 151 | 24 PK | D02160 | 59 | 73-21-16 | D08030J | 7 | | L2 | 3 | VK031-VK054, | | | |
| 151Z | | TB0182X | D011 | 73-21-16 | D08030J | | | L2 | | VK001-VK011, VK021-VK030, | | | |
| 155 | 24 PK | D02160 | 44 | 73-21-15 | TB0158F | C026 | 2 | L2 | 4 | VK012-VK020, VK031-VK054, VK131-VK140, VK181-VK190, VL001-VL010, VL751-VL790, VL891-VL930, VN001-VN050, VN231-VN240, VN301-VN340, VN421-VN490, VN546-VN550, VN634-VN650, VN791-VN810, VN921-VN930, VN951-VN960, VR461-VR461, VS051-VS052, VS073-VS073, VS176-VS177, VS196-VS199, VS261-VS262, VS266-VS268, | | | |
| 155 | 24 PK | D02160 | 44 | 73-21-15 | TB0158F | C026 | 2 | L2 | 3 | VN968-VN970, VS131-VS132, | | | |

286T1078-300
Wire Bundle Assembly
Figure 106 (Sheet 55)

25-71-01

| WIRE | | FROM EQUIPMENT | | | TO EQUIPMENT | | | WIRE INFO | | | | | |
|--------|----|----------------|---------|------|--------------|----------|---------|-----------|----|---------|----|-------|--|
| NUMBER | GA | TYP | NUMBER | TERM | TT | WDM REF | NUMBER | TERM | TT | EMC/SEP | FT | NOTES | EFFECTIVITY |
| 156 | 24 | PK | D08068J | 51 | | 30-31-11 | TB0248Y | C013 | BJ | L2 | 3 | | VK001-VK080, VK131-VK140, VK161-VK190, VL001-VL040, VL751-VL790, VL796-VL805, VL891-VL940, VN001-VN050, VN171-VN190, VN211-VN230, VN301-VN340, VN371-VN650, VN671-VN675, VN681-VN730, VN791-VN810, VN921-VN960, VN966-VN967, VN971-VN990, VR421-VR421, VR461-VR461, VR471-VR471, VS051-VS052, VS061-VS061, VS066-VS070, VS073-VS073, VS091-VS094, VS176-VS177, VS196-VS199, VS206-VS207, VS261-VS262, VS266-VS268, |
| 156 | 24 | PK | D08068J | 51 | | 30-31-11 | TB0248Y | C013 | BJ | L2 | 2 | | VL806-VL810, VL871-VL880, VN968-VN970, VS131-VS132, |
| 157 | 22 | PA | D08068J | 17 | | 36-11-51 | TB0248X | B002 | BJ | L2 | 3 | | VK001-VK080, VK131-VK140, VK161-VK190, VL001-VL040, VL751-VL790, VL796-VL805, VL891-VL940, VN001-VN050, VN171-VN190, VN211-VN230, VN301-VN340, VN371-VN650, VN671-VN675, VN681-VN730, VN791-VN810, VN921-VN960, VN966-VN967, VN971-VN990, VR421-VR421, VR461-VR461, VR471-VR471, VS051-VS052, VS061-VS061, VS066-VS070, VS073-VS073, VS091-VS094, VS176-VS177, VS196-VS199, VS206-VS207, VS261-VS262, VS266-VS268, |
| 157 | 22 | PA | D08068J | 17 | | 36-11-51 | TB0248X | B002 | BJ | L2 | 2 | | VL806-VL810, VN968-VN970, VS131-VS132, |
| 158 | 24 | PK | D08068J | 52 | | 30-34-11 | TB0248X | C002 | BJ | L2 | 3 | | VL871-VL880, |
| 158 | 24 | PK | D08068J | 52 | | 30-34-11 | TB0248X | C002 | BJ | L2 | 2 | | VK001-VK011, VK021-VK030, VK055-VK080, VK161-VK180, VL011-VL040, VL796-VL805, VL931-VL940, VN171-VN190, VN211-VN230, VN241-VN290, VN371-VN420, VN491-VN545, VN551-VN633, VN671-VN675, VN681-VN730, VN931-VN950, VN966-VN967, VN971-VN990, VR421-VR421, VR471-VR471, VS061-VS061, VS066-VS070, VS091-VS094, VS206-VS207, |
| 158 | 24 | PK | D08068J | 52 | | 30-34-11 | TB0248X | C002 | BJ | L2 | 2 | | VL806-VL810, VL871-VL880, |
| 160 | 24 | PK | TB0182Y | C010 | BJ | 73-21-11 | D08030J | 16 | | L2 | 3 | | VK001-VK011, VK021-VK030, |
| 160 | 24 | PK | TB0182Y | C010 | BJ | 73-21-17 | D08030J | 16 | | L2 | 3 | | VK055-VK080, VK171-VK180, VL931-VL940, VN221-VN230, VN491-VN530, VN671-VN675, VN681-VN730, VN931-VN950, VN966-VN967, VN971-VN990, VR421-VR421, VR471-VR471, VS091-VS094, VS206-VS207, |

 286T1078-300
 Wire Bundle Assembly
 Figure 106 (Sheet 56)

25-71-01

 TESTING & FAULT ISOLATION
 01 Page 120B
 Nov 01/02



BOEING
COMPONENT
MAINTENANCE MANUAL

| WIRE | | FROM EQUIPMENT | | | TO EQUIPMENT | | | WIRE INFO | | | |
|--------|--------|----------------|---------|----------|--------------|---------|---------|-----------|-------|---|--|
| NUMBER | GA TYP | NUMBER | TERM TT | WDM REF | NUMBER | TERM TT | EMC/SEP | FT | NOTES | EFFECTIVITY | |
| 160 | 24 FK | D08030J | 16 | 73-21-17 | TB0182Y | C010 BJ | L2 | 3 | | VK161-VK170, VL011-VL040, VL796-VL805, VNI71-VNI90, VN211-VN220, VN241-VN290, VN371-VN420, VN531-VN545, VN551-VN633, VS061-VS061, VS066-VS070, VL806-VL810, VL871-VL880, | |
| 160 | 24 FK | D08030J | 16 | 73-21-17 | TB0182Y | C010 BJ | L2 | 2 | | VK001-VK054, VK131-VK140, VK181-VK190, VL001-VL010, VL751-VL790, VL891-VL930, VN001-VN050, VN231-VN240, VN301-VN340, VN421-VN490, VN546-VN550, VN634-VN650, VN791-VN810, VN921-VN930, VN951-VN960, VR461-VR461, VS051-VS052, VS073-VS073, VS176-VS177, VS196-VS199, VS261-VS262, VS266-VS268, | |
| 161 | 24 FK | D08112J | 22 | 73-21-18 | TB0182X | A011 BJ | L2 | 2 | | VK055-VK080, VK161-VK170, VL931-VL940, VN221-VN230, VN251-VN290, VN671-VN675, VN681-VN730, VN932-VN950, VR471-VR471, VS066-VS070, VS206-VS207, | |
| 161 | 24 FK | D08112J | 22 | 73-21-18 | TB0182Y | A008 BJ | L2 | 3 | | VK171-VK180, VL011-VL040, VL796-VL805, VNI71-VNI90, VN211-VN220, VN241-VN250, VN371-VN420, VN491-VN545, VN551-VN633, VN931-VN931, VN966-VN967, VN971-VN990, VR421-VR421, VS061-VS061, VS091-VS094, | |
| 161 | 24 FK | D08112J | 22 | 73-21-18 | TB0248X | A016 BJ | L2 | 3 | | VL806-VL810, VL871-VL880, | |
| 161 | 24 FK | D08112J | 22 | 73-21-18 | TB0182X | D011 BJ | L2 | 2 | | VN968-VN970, VS131-VS132, | |
| 161 | 24 FK | D08112J | 22 | 73-21-18 | TB0182X | A008 BJ | L2 | 2 | | VK001-VK011, VK021-VK030, | |
| 162 | 22 PA | D02160 | 32 | 73-21-11 | GDX001 | D.. 2 | L2 | 4 | | VK012-VK020, VK131-VK140, VK181-VK190, VL751-VL790, VL891-VL930, VN231-VN240, VN421-VN490, VN546-VN550, VN634-VN650, VN791-VN810, VN921-VN930, VN951-VN960, VR461-VR461, VS051-VS052, VS073-VS073, VS176-VS177, VS261-VS262, VS266-VS268, | |
| 162 | 22 PA | D02160 | 31 | 73-21-19 | TB0182X | A011 BJ | L2 | 4 | | VK031-VK054, VL001-VL010, VN001-VN050, VN301-VN340, VS196-VS199, | |
| 162 | 22 PA | D02160 | 31 | 73-21-19 | TB0182X | A011 BJ | L2 | 3 | | VN968-VN970, VS131-VS132, | |
| 163 | 24 PV | D02160 | 31 | 73-21-11 | TB0248Z | 7 BJ | L2 | 4 | | VK001-VK011, VK021-VK030, | |

286T1078-300
Wire Bundle Assembly
Figure 106 (Sheet 57)

25-71-01

| WIRE | | FROM EQUIPMENT | | | TO EQUIPMENT | | | WIRE INFO | | |
|--------|--------|----------------|---------|----------|--------------|---------|---------|-----------|-------|--|
| NUMBER | CA TYP | NUMBER | TERM TT | WDM REF | NUMBER | TERM TT | EMC/SEP | FT | NOTES | EFFECTIVITY |
| 163 | 24 PV | D02160 | 6 | 73-21-17 | TB0248Z | 7 | L2 | 5 | | VK055-VK080, VK171-VK180, VL931-VL940, VN221-VN230, VN491-VN530, VN671-VN675, VN681-VN730, VN931-VN950, VN966-VN967, VN971-VN990, VR421-VR421, VR471-VR471, VS091-VS094, VS206-VS207, |
| 163 | 24 PV | D02160 | 6 | 73-21-17 | TB0248Z | 7 | L2 | 4 | | VK161-VK170, VL011-VL040, VL796-VL805, VN171-VN190, VN211-VN220, VN241-VN290, VN371-VN420, VN531-VN545, VN551-VN633, VS061-VS061, VS066-VS070, |
| 163 | 24 PV | D02160 | 6 | 73-21-17 | TB0248Z | 7 | L2 | 3 | | VL806-VL810, VL871-VL880, |
| 163Z | | D02160 | | 73-21-11 | TB0248Z | 8 | L2 | | | VK001-VK011, VK021-VK030, |
| 163Z | | D02160 | | 73-21-17 | TB0248Z | 8 | L2 | | | VK055-VK080, VK171-VK180, VL931-VL940, VN223-VN230, VN671-VN675, VN681-VN730, VN931-VN950, VN966-VN967, VN971-VN990, VR421-VR421, VR471-VR471, VS206-VS207, |
| 163Z | | D02160 | | 73-21-17 | TB0248Z | 8 | L2 | | | VK161-VK170, VL011-VL040, VL796-VL810, VL871-VL880, VN171-VN190, VN211-VN220, VN241-VN290, VN371-VN420, VN491-VN545, VN551-VN633, VS061-VS061, VS066-VS070, VS091-VS094, |
| 163Z | | D02160 | | 73-21-17 | TB0248Z | 8 | L2 | | | VN221-VN222, |
| 164 | 24 PV | D02160 | 57 | 73-21-15 | D08030J | 13 | L2 | 3 | | VK001-VK011, VK021-VK030, |
| 164 | 24 PK | D02160 | 57 | 73-21-15 | D08030J | 13 | L2 | 3 | | VK031-VK054, |
| 164 | 24 PK | D02160 | 57 | 73-21-15 | TB0182Y | A003 | L2 | 4 | | VL001-VL010, VN001-VN050, VN301-VN340, VS196-VS199, |
| 164Z | | D02160 | | 73-21-15 | D08030J | | L2 | | | VK001-VK011, VK021-VK030, |
| 165 | 24 PK | D02160 | 27 | 22-32-13 | D05277J | 9 | L2 | 3 | | VK001-VK011, VK021-VK030, |
| 165 | 24 PK | D02160 | 13 | 22-32-13 | D05277J | 9 | L2 | 3 | | VK012-VK020, VK031-VK054, VK131-VK140, VK181-VK190, VL001-VL010, VL751-VL790, VL891-VL930, VN001-VN050, VN231-VN240, VN301-VN340, VN421-VN490, VN546-VN550, VN634-VN650, VN791-VN810, VN921-VN930, VN951-VN960, VR461-VR461, VS051-VS052, VS073-VS073, VS176-VS177, VS196-VS199, VS261-VS262, VS266-VS268, |
| 165 | 24 PK | D02160 | 23 | 22-32-13 | D05277J | 9 | L2 | 3 | | VK055-VK080, VK161-VK180, VL011-VL040, VL796-VL805, VN171-VN190, VN211-VN220, VN241-VN290, VN371-VN420, VN531-VN545, VN551-VN633, VR421-VR421, VR471-VR471, VS061-VS061, VS066-VS070, |
| 165 | 24 PK | D02160 | 23 | 22-32-13 | D05277J | 9 | L2 | 2 | | VL806-VL810, VL871-VL880, |

 286T1078-300
 Wire Bundle Assembly
 Figure 106 (Sheet 58)

25-71-01



COMPONENT
MAINTENANCE MANUAL

| WIRE | | FROM EQUIPMENT | | | TO EQUIPMENT | | | WIRE INFO | | | |
|--------|--------|----------------|---------|----------|--------------|---------|---------|-----------|-------|--|--|
| NUMBER | GA TYP | NUMBER | TERM TT | WDM REF | NUMBER | TERM TT | EMC/SEP | FT | NOTES | EFFECTIVITY | |
| 165 | 24 PK | D02160 | 23 | 22-32-13 | D05277J | 9 | L2 | 4 | | VL931-VL940, VN221-VN230, VN491-VN530, VN671-VN675, VN681-VN730, VN931-VN950, VN966-VN967, VN971-VN990, VS091-VS094, VS206-VS207, | |
| 165 | 24 PK | D02160 | 13 | 22-32-13 | D05277J | 9 | L2 | 2 | | VN968-VN970, VS131-VS132, | |
| 166 | 24 PV | D02160 | 61 | 73-21-15 | D08030J | 12 | L2 | 3 | | VK001-VK011, VK021-VK030, | |
| 166 | 24 PK | D02160 | 3 | 73-21-15 | D08030J | 12 | L2 | 3 | | VK031-VK054, VL001-VL010, VN001-VN050, VN301-VN340, VS196-VS199, | |
| 166Z | | D02160 | | 73-21-15 | D08030J | | L2 | | | VK001-VK011, VK021-VK030, | |
| 167 | 24 PK | D02160 | 66 | 73-21-15 | TB0182Y | C005 BJ | R2 | 4 | | VK001-VK011, VK021-VK030, | |
| 167 | 24 PK | D02160 | 38 | 73-21-15 | TB0182Y | C005 BJ | R2 | 4 | | VK012-VK020, VK031-VK054, VK131-VK140, VK181-VK190, VL001-VL010, VL751-VL790, VL891-VL930, VN001-VN050, VN231-VN240, VN301-VN340, VN421-VN490, VN546-VN550, VN634-VN650, VN791-VN810, VN921-VN930, VN951-VN960, VR461-VR461, VS051-VS052, VS073-VS073, VS176-VS177, VS196-VS199, VS261-VS262, VS266-VS268, | |
| 167 | 24 PK | D02160 | 59 | 73-21-15 | TB0182Y | C005 BJ | R2 | 4 | | VK055-VK080, VK161-VK180, VL011-VL040, VL796-VL805, VL931-VL940, VN171-VN190, VN211-VN230, VN241-VN290, VN371-VN420, VN491-VN545, VN551-VN633, VN671-VN675, VN681-VN730, VN931-VN950, VN966-VN967, VN971-VN990, VR421-VR421, VR471-VR471, VS061-VS061, VS066-VS070, VS091-VS094, VS206-VS207, | |
| 167 | 24 PK | D02160 | 59 | 73-21-15 | TB0182Y | C005 BJ | R2 | 3 | | VL806-VL810, VL871-VL880, | |
| 167 | 24 PK | D02160 | 38 | 73-21-15 | TB0182Y | C005 BJ | R2 | 3 | | VN968-VN970, VS131-VS132, | |
| 168 | 24 PK | D02160 | 64 | 22-32-13 | D05277J | 12 | L2 | 3 | | VK001-VK011, VK021-VK030, | |
| 168 | 24 PK | D02160 | 4 | 22-32-13 | D05277J | 12 | L2 | 3 | | VK012-VK020, VK031-VK054, VK131-VK140, VK181-VK190, VL001-VL010, VL751-VL790, VL891-VL930, VN001-VN050, VN231-VN240, VN301-VN340, VN421-VN490, VN546-VN550, VN634-VN650, VN791-VN810, VN921-VN930, VN951-VN960, VR461-VR461, VS051-VS052, VS073-VS073, VS176-VS177, VS196-VS199, VS261-VS262, VS266-VS268, | |
| 168 | 24 PK | D02160 | 26 | 22-32-13 | D05277J | 12 | L2 | 3 | | VK055-VK080, VK161-VK180, VL011-VL040, VL796-VL805, VN171-VN190, VN211-VN230, VN241-VN290, VN371-VN420, VN491-VN545, VN551-VN633, VN671-VN675, VN681-VN730, VN931-VN950, VN966-VN967, VN971-VN990, VS091-VS094, VS206-VS207, | |

286T1078-300
Wire Bundle Assembly
Figure 106 (Sheet 59)

25-71-01

| WIRE | | FROM EQUIPMENT | | | TO EQUIPMENT | | | WIRE INFO | | |
|--------|--------|----------------|---------|----------|--------------|---------|---------|-----------|-------|---|
| NUMBER | GA TYP | NUMBER | TERM FT | WDM REF | NUMBER | TERM FT | EMC/SEP | FT | NOTES | EFFECTIVITY |
| 168 | 24 FK | D02160 | 26 | 22-32-13 | D05277J | 12 | L2 | 2 | | VL806-VL810, VL871-VL880, |
| 168 | 24 FK | D02160 | 26 | 22-32-13 | D05277J | 12 | L2 | 4 | | VL931-VL940, VN221-VN230, VN491-VN530, VN671-VN675, VN681-VN730, VN931-VN950, VN966-VN967, VN971-VN990, VS091-VS094, VS206-VS207, |
| 168 | 24 FK | D02160 | 4 | 22-32-13 | D05277J | 12 | L2 | 2 | | VN968-VN970, VS131-VS132, |
| 169 | 24 FK | D02160 | 25 | 73-21-15 | TB0182Y A006 | BJ | R2 | 4 | | VK001-VK011, VK021-VK030, |
| 169 | 24 FK | D02160 | 22 | 73-21-15 | TB0182Y C005 | BJ | R2 | 4 | | VK012-VK020, VK181-VK190, VR461-VR464, |
| 169 | 24 FK | D02160 | 22 | 73-21-15 | TB0182Y C005 | BJ | L2 | 4 | | VK031-VK054, VK131-VK140, VL001-VL010, VL751-VL790, VL891-VL930, VN001-VN050, VN231-VN240, VN301-VN340, VN421-VN490, VN546-VN550, VN634-VN650, VN791-VN810, VN921-VN930, VN951-VN960, VS051-VS052, VS073-VS073, VS176-VS177, VS196-VS199, VS261-VS262, VS266-VS268, |
| 169 | 24 FK | D02160 | 65 | 73-21-15 | TB0182Y A006 | BJ | L2 | 4 | | VK055-VK080, VK161-VK180, VL011-VL040, VL796-VL805, VN171-VN190, VN211-VN220, VN241-VN290, VN371-VN420, VN531-VN545, VN551-VN633, VR421-VR421, VR471-VR471, VS061-VS061, VS066-VS070, |
| 169 | 24 FK | D02160 | 65 | 73-21-15 | TB0182Y A006 | BJ | L2 | 3 | | VL806-VL810, VL871-VL880, |
| 169 | 24 FK | D02160 | 65 | 73-21-15 | TB0182Y A006 | BJ | R2 | 4 | | VL931-VL940, VN221-VN230, VN491-VN530, VN671-VN675, VN681-VN730, VN931-VN950, VN966-VN967, VN971-VN990, VS091-VS094, VS206-VS207, |
| 169 | 24 FK | D02160 | 22 | 73-21-15 | TB0182Y C005 | BJ | R2 | 3 | | VN968-VN970, VS131-VS132, |
| 170 | 24 FK | D02160 | 23 | 73-21-15 | TB0182Y A003 | BJ | R2 | 4 | | VK001-VK011, VK021-VK030, |
| 170 | 24 FK | D02160 | 66 | 73-21-15 | TB0182Y A003 | BJ | R2 | 4 | | VK055-VK080, VK171-VK180, VL931-VL940, VN221-VN230, VN491-VN530, VN671-VN675, VN681-VN730, VN931-VN950, VN966-VN967, VN971-VN990, VR421-VR421, VR471-VR471, VS091-VS094, VS206-VS207, |
| 170 | 24 FK | D02160 | 66 | 73-21-15 | TB0182Y A003 | BJ | L2 | 4 | | VK161-VK170, VL011-VL040, VL796-VL805, VN171-VN190, VN211-VN220, VN241-VN290, VN371-VN420, VN531-VN545, VN551-VN633, VS061-VS061, VS066-VS070, |
| 170 | 24 FK | D02160 | 66 | 73-21-15 | TB0182Y A003 | BJ | L2 | 3 | | VL806-VL810, VL871-VL880, |

286T1078-300
Wire Bundle Assembly
Figure 106 (Sheet 60)

25-71-01



BOEING
COMPONENT
MAINTENANCE MANUAL

| WIRE | | FROM EQUIPMENT | | | TO EQUIPMENT | | | WIRE INFO | | | |
|--------|--------|----------------|---------|----------|--------------|---------|---------|-----------|-------|--|--|
| NUMBER | GA TYP | NUMBER | TERM TT | WDM REF | NUMBER | TERM TT | EMC/SEP | FT | NOTES | EFFECTIVITY | |
| 171 | 24 PK | D02160 | 33 | 73-21-15 | TB0158G | 10 | L2 | 4 | | VK012-VK020, VK031-VK054, VK131-VK140, VK181-VK190, VL001-VL010, VL751-VL790, VL891-VL930, VN001-VN050, VN231-VN240, VN301-VN340, VN421-VN490, VN546-VN550, VN634-VN650, VN791-VN810, VN921-VN930, VN951-VN960, VR461-VR461, VS051-VS052, VS073-VS073, VS176-VS177, VS196-VS199, VS261-VS262, VS266-VS268, | |
| 171 | 24 PK | D02160 | 33 | 73-21-15 | TB0158G | 10 | L2 | 3 | | VN968-VN970, VS131-VS132, | |
| 172 | 24 PV | D02160 | 52 | 73-21-11 | D08030J | 5 | L2 | 3 | | VK001-VK011, VK021-VK030, | |
| 172Z | | D02160 | | 73-21-11 | D08030J | | L2 | | | VK001-VK011, VK021-VK030, | |
| 173 | 24 PV | D02160 | 10 | 73-21-17 | D08030J | 10 | L2 | 3 | | VK001-VK011, VK021-VK030, | |
| 173Z | | D02160 | | 73-21-17 | D08030J | | L2 | | | VK001-VK011, VK021-VK030, | |
| 174 | 24 PK | D02160 | 53 | 73-21-15 | TB0158F | A015 | L2 | 4 | | VK012-VK020, VK031-VK054, VK131-VK140, VK181-VK190, VL001-VL010, VL751-VL790, VL891-VL930, VN001-VN050, VN231-VN240, VN301-VN340, VN421-VN490, VN546-VN550, VN634-VN650, VN791-VN810, VN921-VN930, VN951-VN960, VR461-VR461, VS051-VS052, VS073-VS073, VS176-VS177, VS196-VS199, VS261-VS262, VS266-VS268, | |
| 174 | 24 PK | D02160 | 53 | 73-21-15 | TB0158F | A015 | L2 | 3 | | VN968-VN970, VS131-VS132, | |
| 175 | 24 PK | D02160 | 54 | 73-21-15 | TB0158F | C015 | L2 | 4 | | VK012-VK020, VK031-VK054, VK131-VK140, VK181-VK190, VL001-VL010, VL751-VL790, VL891-VL930, VN001-VN050, VN231-VN240, VN301-VN340, VN421-VN490, VN546-VN550, VN634-VN650, VN791-VN810, VN921-VN930, VN951-VN960, VR461-VR461, VS051-VS052, VS073-VS073, VS176-VS177, VS196-VS199, VS261-VS262, VS266-VS268, | |
| 175 | 24 PK | D02160 | 54 | 73-21-15 | TB0158F | C015 | L2 | 3 | | VN968-VN970, VS131-VS132, | |
| 176 | 24 PK | D08112J | 25 | 36-11-52 | TB0248X | A011 | L2 | 3 | | VK001-VK080, VK131-VK140, VK161-VK190, VL001-VL040, VL751-VL790, VL796-VL805, VL891-VL940, VN001-VN050, VN171-VN190, VN211-VN290, VN301-VN340, VN371-VN650, VN671-VN675, VN681-VN730, VN791-VN810, VN921-VN960, VN966-VN967, VN971-VN990, VR421-VR421, VR461-VR461, VR471-VR471, VS051-VS052, VS061-VS061, VS066-VS070, VS073-VS073, VS091-VS094, VS176-VS177, VS196-VS199, VS206-VS207, VS261-VS262, VS266-VS268, | |
| 176 | 24 PK | D08112J | 25 | 36-11-52 | TB0248X | A011 | L2 | 2 | | VL806-VL810, VN968-VN970, VS131-VS132, | |

286T1078-300
Wire Bundle Assembly
Figure 106 (Sheet 61)

25-71-01

| WIRE | | FROM EQUIPMENT | | | TO EQUIPMENT | | | WIRE INFO | | | |
|--------|--------|----------------|---------|----------|--------------|---------|---------|-----------|-------|--|--|
| NUMBER | GA TYP | NUMBER | TERM TT | WDM REF | NUMBER | TERM TT | EMC/SEP | FT | NOTES | EFFECTIVITY | |
| 177 | 24 PK | D08112J | 4 | 36-11-61 | D01886 | 17 | L2 | 4 | | VK001-VK011, VK021-VK054, VK012-VK020, VK055-VK080, VK161-VK190, VL011-VL040, VL796- VL805, VL931-VL940, VNL71-VN190, VN211-VN230, VN241- VN290, VN371-VN470, VN491-VN650, VN671-VN675, VN681- VN730, VN931-VN950, VN966-VN967, VN971-VN990, VR421- VR421, VR461-VR461, VR471-VR471, VS061-VS061, VS066- VS070, VS073-VS073, VS091-VS094, VS176-VS177, VS206- VS207, VS266-VS268, | |
| 177 | 24 PK | D08112J | 4 | 36-11-61 | D01886 | 37 | L2 | 3 | | VK131-VK140, VL001-VL010, VL751-VL790, VL891-VL930, VN001- VN050, VN231-VN240, VN301-VN340, VN471-VN490, VN791- VN810, VN921-VN930, VN951-VN960, VS051-VS052, VS196- VS199, VS261-VS262, | |
| 177 | 24 PK | D08112J | 4 | 36-11-61 | D01886 | 37 | L2 | 2 | | VL806-VL810, VN968-VN970, VS131-VS132, | |
| 178 | 24 PK | D02160 | 65 | 34-61-13 | TB0182Y | A005 BJ | L2 | 4 | | VK001-VK011, VK021-VK030, | |
| 178 | 24 PK | D02160 | 37 | 34-61-13 | TB0182Y | A005 BJ | L2 | 4 | | VK012-VK020, VK031-VK054, VK131-VK140, VK181-VK190, VL001- VL010, VL751-VL790, VL891-VL930, VN001-VN050, VN231- VN240, VN301-VN340, VN421-VN490, VN546-VN550, VN634- VN650, VN791-VN810, VN921-VN930, VN951-VN960, VR461- VR461, VS051-VS052, VS073-VS073, VS176-VS177, VS196- VS199, VS261-VS262, VS266-VS268, | |
| 178 | 24 PK | D02160 | 57 | 34-61-13 | TB0182Y | A005 BJ | L2 | 4 | | VK055-VK080, VK161-VK180, VL011-VL040, VL796-VL805, VL931- VL940, VNL71-VNL90, VN211-VN230, VN241-VN290, VN371- VN420, VN491-VN545, VN551-VN633, VN671-VN675, VN681- VN730, VN931-VN950, VN966-VN967, VN971-VN990, VR421- VR421, VR471-VR471, VS061-VS061, VS066-VS070, VS091- VS094, VS206-VS207, | |
| 178 | 24 PK | D02160 | 57 | 34-61-13 | TB0182Y | A005 BJ | L2 | 3 | | VL806-VL810, VL871-VL880, | |
| 178 | 24 PK | D02160 | 37 | 34-61-13 | TB0182Y | A005 BJ | L2 | 3 | | VN968-VN970, VS131-VS132, | |
| 179 | 24 PK | D02160 | 59 | 34-61-13 | TB0182Y | A004 BJ | L2 | 4 | | VK001-VK011, VK021-VK030, | |

286T1078-300
Wire Bundle Assembly
Figure 106 (Sheet 62)

25-71-01



BOEING
COMPONENT
MAINTENANCE MANUAL

| WIRE | | FROM EQUIPMENT | | | TO EQUIPMENT | | | WIRE INFO | | |
|--------|--------|----------------|---------|----------|-----------------|---------|----------|-----------|-------|--|
| NUMBER | GA TYP | NUMBER | TERM TT | WDM REF | NUMBER | TERM TT | EMC/ SEP | FT | NOTES | EFFECTIVITY |
| 179 | 24PK | D02160 | 7 | 34-61-13 | TB0182Y A004 BJ | | L2 | 4 | | VK012-VK020, VK031-VK054, VK131-VK140, VK181-VK190, VL001-VL010, VL751-VL790, VL891-VL930, VN001-VN050, VN231-VN240, VN301-VN340, VN421-VN490, VN546-VN550, VN634-VN650, VN791-VN810, VN921-VN930, VN951-VN960, VR461-VR461, VS051-VS052, VS073-VS073, VS176-VS177, VS196-VS199, VS261-VS262, VS266-VS268, |
| 179 | 24PK | D02160 | 55 | 34-61-13 | TB0182Y A004 BJ | | L2 | 4 | | VK055-VK080, VK161-VK180, VL011-VL040, VL796-VL805, VL931-VL940, VN171-VN190, VN211-VN230, VN241-VN290, VN371-VN420, VN491-VN545, VN551-VN633, VN671-VN675, VN681-VN730, VN931-VN950, VN966-VN967, VN971-VN990, VR421-VR421, VR471-VR471, VS061-VS061, VS066-VS070, VS091-VS094, VS206-VS207, |
| 179 | 24PK | D02160 | 55 | 34-61-13 | TB0182Y A004 BJ | | L2 | 3 | | VL806-VL810, VL871-VL880, |
| 179 | 24PK | D02160 | 7 | 34-61-13 | TB0182Y A004 BJ | | L2 | 3 | | VN968-VN970, VS131-VS132, |
| 180 | 24PK | D02160 | 43 | 34-61-13 | TB0182Y A009 BJ | | L2 | 4 | | VK001-VK011, VK021-VK030, |
| 180 | 24PK | D02160 | 45 | 34-61-13 | TB0182Y A009 BJ | | L2 | 4 | | VK012-VK020, VK031-VK054, VK131-VK140, VK181-VK190, VL001-VL010, VL751-VL790, VL891-VL930, VN001-VN050, VN231-VN240, VN301-VN340, VN421-VN490, VN546-VN550, VN634-VN650, VN791-VN810, VN921-VN930, VN951-VN960, VR461-VR461, VS051-VS052, VS073-VS073, VS176-VS177, VS196-VS199, VS261-VS262, VS266-VS268, |
| 180 | 24PK | D02160 | 29 | 34-61-13 | TB0182Y A009 BJ | | L2 | 4 | | VK055-VK080, VK161-VK180, VL011-VL040, VL796-VL805, VL931-VL940, VN171-VN190, VN211-VN230, VN241-VN290, VN371-VN420, VN491-VN545, VN551-VN633, VN671-VN675, VN681-VN730, VN931-VN950, VN966-VN967, VN971-VN990, VR421-VR421, VR471-VR471, VS061-VS061, VS066-VS070, VS091-VS094, VS206-VS207, |
| 180 | 24PK | D02160 | 29 | 34-61-13 | TB0182Y A009 BJ | | L2 | 3 | | VL806-VL810, VL871-VL880, |
| 180 | 24PK | D02160 | 45 | 34-61-13 | TB0182Y A009 BJ | | L2 | 3 | | VN968-VN970, VS131-VS132, |
| 181 | 24PK | D02160 | 22 | 34-61-13 | TB0182Y C009 BJ | | L2 | 4 | | VK001-VK011, VK021-VK030, |

286T1078-300
Wire Bundle Assembly
Figure 106 (Sheet 63)

25-71-01

| WIRE | | FROM EQUIPMENT | | | | TO EQUIPMENT | | | | WIRE INFO | | | |
|--------|--------|----------------|---------|----------|---------|--------------|---------|----|-------|--|--|--|--|
| NUMBER | GA TYP | NUMBER | TERM TT | WDM REF | NUMBER | TERM TT | EMC/SEP | FT | NOTES | EFFECTIVITY | | | |
| 181 | 24 PK | D02160 | 25 | 34-61-13 | TB0182Y | C009 BJ | L2 | 4 | | VK012-VK020, VK031-VK054, VK131-VK140, VK181-VK190, VL001-VL010, VL751-VL790, VL891-VL930, VN001-VN050, VN231-VN240, VN301-VN340, VN421-VN490, VN546-VN550, VN634-VN650, VN791-VN810, VN921-VN930, VN951-VN960, VR461-VR461, VS051-VS052, VS073-VS073, VS176-VS177, VS196-VS199, VS261-VS262, VS266-VS268, | | | |
| 181 | 24 PK | D02160 | 1 | 34-61-13 | TB0182Y | C009 BJ | L2 | 4 | | VK055-VK080, VK161-VK180, VL011-VL040, VL796-VL805, VL931-VL940, VN171-VN190, VN211-VN230, VN241-VN290, VN371-VN420, VN491-VN545, VN551-VN633, VN671-VN675, VN681-VN730, VN931-VN950, VN966-VN967, VN971-VN990, VR421-VR421, VR471-VR471, VS061-VS061, VS066-VS070, VS091-VS094, VS206-VS207, | | | |
| 181 | 24 PK | D02160 | 1 | 34-61-13 | TB0182Y | C009 BJ | L2 | 3 | | VL806-VL810, VL871-VL880, | | | |
| 181 | 24 PK | D02160 | 25 | 34-61-13 | TB0182Y | C009 BJ | L2 | 3 | | VN968-VN970, VS131-VS132, | | | |
| 182 | 24 PK | D02160 | 14 | 34-61-13 | TB0182Y | A010 BJ | L2 | 4 | | VK001-VK011, VK021-VK030, | | | |
| 182 | 24 PK | D02160 | 35 | 34-61-13 | TB0182Y | A010 BJ | L2 | 4 | | VK012-VK020, VK031-VK054, VK131-VK140, VK181-VK190, VL001-VL010, VL751-VL790, VL891-VL930, VN001-VN050, VN231-VN240, VN301-VN340, VN421-VN490, VN546-VN550, VN634-VN650, VN791-VN810, VN921-VN930, VN951-VN960, VR461-VR461, VS051-VS052, VS073-VS073, VS176-VS177, VS196-VS199, VS261-VS262, VS266-VS268, | | | |
| 182 | 24 PK | D02160 | 21 | 34-61-13 | TB0182Y | A010 BJ | L2 | 4 | | VK055-VK080, VK161-VK180, VL011-VL040, VL796-VL805, VL931-VL940, VN171-VN190, VN211-VN230, VN241-VN290, VN371-VN420, VN491-VN545, VN551-VN633, VN671-VN675, VN681-VN730, VN931-VN950, VN966-VN967, VN971-VN990, VR421-VR421, VR471-VR471, VS061-VS061, VS066-VS070, VS091-VS094, VS206-VS207, | | | |
| 182 | 24 PK | D02160 | 21 | 34-61-13 | TB0182Y | A010 BJ | L2 | 3 | | VL806-VL810, VL871-VL880, | | | |
| 182 | 24 PK | D02160 | 35 | 34-61-13 | TB0182Y | A010 BJ | L2 | 3 | | VN968-VN970, VS131-VS132, | | | |
| 183 | 22 PA | D02160 | 24 | 34-61-13 | GDX0001 | D.. | L2 | 4 | | VK001-VK011, VK021-VK030, | | | |
| 184 | 24 PV | TB0158G | 1 | 34-61-13 | D05209J | 1 | R2 | 3 | | VK001-VK009, VK021-VK022, VK031-VK045, VL001-VL006, VL011-VL011, VN001-VN015, VN171-VN173, VN211-VN212, VN221-VN222, VN231-VN232, VN241-VN241, | | | |

286T1078-300
Wire Bundle Assembly
Figure 106 (Sheet 64)

25-71-01



BOEING
COMPONENT
MAINTENANCE MANUAL

| WIRE | | FROM EQUIPMENT | | | TO EQUIPMENT | | | WIRE INFO | | |
|--------|--------|----------------|---------|----------|--------------|---------|---------|-----------|-------|---|
| NUMBER | GA TYP | NUMBER | TERM TT | WDM REF | NUMBER | TERM TT | EMC/SEP | FT | NOTES | EFFECTIVITY |
| 184 | 24 PV | TB0158Y | A003 BJ | 34-61-13 | D05209J | 1 | R2 | 4 | | VK10-VK020, VK023-VK030, VK046-VK080, VK131-VK140, VK161-VK190, VL007-VL010, VL012-VL040, VL751-VL790, VL796-VL805, VL911-VL930, VN016-VN050, VN174-VN190, VN213-VN220, VN223-VN230, VN233-VN240, VN242-VN290, VN301-VN340, VN371-VN650, VN671-VN675, VN791-VN810, VN921-VN930, VN951-VN960, VN966-VN967, VN971-VN990, VR421-VR421, VR461-VR461, VR471-VR471, VS051-VS052, VS061-VS061, VS066-VS070, VS073-VS073, VS091-VS094, VS176-VS177, VS196-VS199, VS261-VS262, VS266-VS268, |
| 184 | 24 PV | TB0158Y | A003 BJ | 34-61-13 | D05209J | 1 | R2 | 2 | | VL806-VL810, VL871-VL880, VN968-VN970, VS131-VS132, VL891-VL910, VL931-VL940, VN681-VN730, VN931-VN950, VS206-VS207, |
| 184Z | 24 PV | TB0158G | DED | 34-61-13 | D05209J | DED | L2 | | | VK001-VK009, VK021-VK022, VK031-VK045, VL001-VL006, VL011-VL011, VN001-VN015, VN171-VN173, VN211-VN212, VN221-VN222, VN231-VN232, VN241-VN241, |
| 184Z | 24 PV | TB0158Y | DED | 34-61-13 | D05209J | DED | L2 | | | VK010-VK020, VK023-VK030, VK046-VK080, VK131-VK140, VK161-VK190, VL007-VL010, VL012-VL040, VL751-VL790, VL796-VL810, VL871-VL880, VL891-VL940, VN016-VN050, VN174-VN190, VN213-VN220, VN223-VN230, VN233-VN240, VN242-VN290, VN301-VN340, VN371-VN650, VN671-VN675, VN681-VN730, VN791-VN810, VN921-VN960, VN966-VN967, VR421-VR421, VR461-VR461, VR471-VR471, VS051-VS052, VS061-VS061, VS066-VS070, VS073-VS073, VS091-VS094, VS131-VS132, VS176-VS177, VS196-VS199, VS206-VS207, VS261-VS262, VS266-VS268, |
| 185 | 24 PV | TB0158G | 18 2 | 34-61-13 | D05209J | 2 | R2 | 3 | | VK001-VK080, VK131-VK140, VK161-VK190, VL001-VL040, VL751-VL790, VL796-VL805, VL891-VL940, VN001-VN050, VN171-VN190, VN211-VN290, VN301-VN340, VN371-VN650, VN671-VN675, VN681-VN730, VN791-VN810, VN921-VN960, VN966-VN967, VN971-VN990, VR421-VR421, VR461-VR461, VR471-VR471, VS051-VS052, VS061-VS061, VS066-VS070, VS073-VS073, VS091-VS094, VS131-VS132, VS176-VS177, VS196-VS199, VS206-VS207, VS261-VS262, VS266-VS268, |

286T1078-300
Wire Bundle Assembly
Figure 106 (Sheet 65)

25-71-01

| WIRE | | FROM EQUIPMENT | | | TO EQUIPMENT | | | WIRE INFO | | | | | | |
|--------|----|----------------|---------|------|--------------|----------|---------|-----------|------|----|-------------|----|--|-------------|
| NUMBER | GA | TYP | NUMBER | TERM | TT | WDM | REF | NUMBER | TERM | TT | EMC/ SEP | FT | NOTES | EFFECTIVITY |
| 185 | 24 | FV | TB0158G | 18 | 2 | 34-61-13 | D05209J | 2 | R2 | 2 | | | VL806-VL810, VL871-VL880, VN968-VN970, VS131-VS132, | |
| 185Z | | | TB0158G | DED | | 34-61-13 | D05209J | DED | L2 | | | | VK001-VK080, VK131-VK140, VK161-VK190, VL001-VL040, VL751-VL790, VL796-VL805, VL891-VL940, VN001-VN050, VN171-VN190, VN211-VN290, VN301-VN340, VN371-VN650, VN671-VN675, VN681-VN730, VN791-VN810, VN921-VN960, VN966-VN967, VN971-VN990, VR421-VR421, VR461-VR461, VR471-VR471, VS051-VS052, VS061-VS061, VS066-VS070, VS073-VS073, VS091-VS094, VS176-VS177, VS196-VS199, VS206-VS207, VS261-VS262, VS266-VS268, | |
| 186 | 24 | FV | TB0158G | 21 | 2 | 34-61-13 | D05209J | 3 | R2 | 2 | | | VL806-VL810, VL871-VL880, VN968-VN970, VS131-VS132, | |
| 186Z | | | TB0158G | DED | | 34-61-13 | D05209J | DED | L2 | | | | VK001-VK080, VK131-VK140, VK161-VK190, VL001-VL040, VL751-VL790, VL796-VL805, VL891-VL940, VN001-VN050, VN171-VN190, VN211-VN290, VN301-VN340, VN371-VN650, VN671-VN675, VN681-VN730, VN791-VN810, VN921-VN960, VN966-VN967, VN971-VN990, VR421-VR421, VR461-VR461, VR471-VR471, VS051-VS052, VS061-VS061, VS066-VS070, VS073-VS073, VS091-VS094, VS176-VS177, VS196-VS199, VS206-VS207, VS261-VS262, VS266-VS268, | |
| 187 | 24 | FV | TB0158G | 22 | 2 | 34-61-13 | D05209J | 4 | R2 | 3 | | | VL806-VL810, VL871-VL880, VN968-VN970, VS131-VS132, | |
| 187Z | | | TB0158G | DED | | 34-61-13 | D05209J | DED | L2 | | | | VK001-VK080, VK131-VK140, VK161-VK190, VL001-VL040, VL751-VL790, VL796-VL805, VL891-VL940, VN001-VN050, VN171-VN190, VN211-VN290, VN301-VN340, VN371-VN650, VN671-VN675, VN681-VN730, VN791-VN810, VN921-VN960, VN966-VN967, VN971-VN990, VR421-VR421, VR461-VR461, VR471-VR471, VS051-VS052, VS061-VS061, VS066-VS070, VS073-VS073, VS091-VS094, VS176-VS177, VS196-VS199, VS206-VS207, VS261-VS262, VS266-VS268, | |
| 188 | 24 | FV | TB0158G | 23 | 2 | 34-61-13 | D05209J | 5 | R2 | 2 | | | VL806-VL810, VL871-VL880, VN968-VN970, VS131-VS132, | |
| 188Z | | | TB0158G | DED | | 34-61-13 | D05209J | DED | L2 | | | | VK001-VK080, VK131-VK140, VK161-VK190, VL001-VL040, VL751-VL790, VL796-VL805, VL891-VL940, VN001-VN050, VN171-VN190, VN211-VN290, VN301-VN340, VN371-VN650, VN671-VN675, VN681-VN730, VN791-VN810, VN921-VN960, VN966-VN967, VN971-VN990, VR421-VR421, VR461-VR461, VR471-VR471, VS051-VS052, VS061-VS061, VS066-VS070, VS073-VS073, VS091-VS094, VS176-VS177, VS196-VS199, VS206-VS207, VS261-VS262, VS266-VS268, | |

286T1078-300
Wire Bundle Assembly
Figure 106 (Sheet 66)

25-71-01



BOEING
COMPONENT
MAINTENANCE MANUAL

| WIRE | | FROM EQUIPMENT | | | TO EQUIPMENT | | | WIRE INFO | | |
|--------|--------|----------------|---------|----------|--------------|---------|---------|-----------|-------|--|
| NUMBER | GA TYP | NUMBER | TERM TT | WDM REF | NUMBER | TERM TT | EMC/SEP | FT | NOTES | EFFECTIVITY |
| 189 | 24 PK | TB0182Y | A005 BJ | 34-61-13 | D05209J | 6 | L2 | 3 | | VK001-VK080, VK131-VK140, VK161-VK190, VL001-VL040, VL751-VL790, VL796-VL805, VL891-VL940, VN001-VN050, VN171-VN190, VN211-VN290, VN301-VN340, VN371-VN650, VN671-VN675, VN681-VN730, VN791-VN810, VN921-VN960, VN966-VN967, VN971-VN990, VR421-VR421, VR461-VR461, VR471-VR471, VS051-VS052, VS061-VS061, VS066-VS070, VS073-VS073, VS091-VS094, VS176-VS177, VS196-VS199, VS206-VS207, VS261-VS262, VS266-VS268, |
| 189 | 24 PK | TB0182Y | A005 BJ | 34-61-13 | D05209J | 6 | L2 | 2 | | VL806-VL810, VL871-VL880, VN968-VN970, VS131-VS132, |
| 190 | 24 PK | TB0182Y | A004 BJ | 34-61-13 | D05209J | 7 | L2 | 3 | | VK001-VK080, VK131-VK140, VK161-VK190, VL001-VL040, VL751-VL790, VL796-VL805, VL891-VL940, VN001-VN050, VN171-VN190, VN211-VN290, VN301-VN340, VN371-VN650, VN671-VN675, VN681-VN730, VN791-VN810, VN921-VN960, VN966-VN967, VN971-VN990, VR421-VR421, VR461-VR461, VR471-VR471, VS051-VS052, VS061-VS061, VS066-VS070, VS073-VS073, VS091-VS094, VS176-VS177, VS196-VS199, VS206-VS207, VS261-VS262, VS266-VS268, |
| 190 | 24 PK | TB0182Y | A004 BJ | 34-61-13 | D05209J | 7 | L2 | 2 | | VL806-VL810, VL871-VL880, VN968-VN970, VS131-VS132, |
| 191 | 24 PK | TB0182Y | A009 BJ | 34-61-13 | D05209J | 8 | L2 | 3 | | VK001-VK080, VK131-VK140, VK161-VK190, VL001-VL040, VL751-VL790, VL796-VL805, VL891-VL940, VN001-VN050, VN171-VN190, VN211-VN290, VN301-VN340, VN371-VN650, VN671-VN675, VN681-VN730, VN791-VN810, VN921-VN960, VN966-VN967, VN971-VN990, VR421-VR421, VR461-VR461, VR471-VR471, VS051-VS052, VS061-VS061, VS066-VS070, VS073-VS073, VS091-VS094, VS176-VS177, VS196-VS199, VS206-VS207, VS261-VS262, VS266-VS268, |
| 191 | 24 PK | TB0182Y | A009 BJ | 34-61-13 | D05209J | 8 | L2 | 2 | | VL806-VL810, VL871-VL880, VN968-VN970, VS131-VS132, |

286T1078-300
Wire Bundle Assembly
Figure 106 (Sheet 67)

25-71-01

| WIRE | | FROM EQUIPMENT | | | TO EQUIPMENT | | | WIRE INFO | | |
|--------|--------|----------------|---------|---------|--------------|---------|---------|-----------|-------|--|
| NUMBER | GA TYP | NUMBER | TERM TT | WDM REF | NUMBER | TERM TT | EMC/SEP | FT | NOTES | EFFECTIVITY |
| 192 | 24 PK | TB0182Y | C009 | BJ | 34-61-13 | D05209J | 9 | L2 | 3 | VK001-VK080, VK131-VK140, VK161-VK190, VL001-VL040, VL751-VL790, VL796-VL805, VL891-VL940, VN001-VN050, VN171-VN190, VN211-VN290, VN301-VN340, VN371-VN650, VN671-VN675, VN681-VN730, VN791-VN810, VN921-VN960, VN966-VN967, VN971-VN990, VR421-VR421, VR461-VR461, VR471-VR471, VS051-VS052, VS061-VS061, VS066-VS070, VS073-VS073, VS091-VS094, VS176-VS177, VS196-VS199, VS206-VS207, VS261-VS262, VS266-VS268, |
| 192 | 24 PK | TB0182Y | C009 | BJ | 34-61-13 | D05209J | 9 | L2 | 2 | VL806-VL810, VL871-VL880, VN968-VN970, VS131-VS132, |
| 193 | 24 PK | TB0182Y | A010 | BJ | 34-61-13 | D05209J | 10 | L2 | 3 | VK001-VK080, VK131-VK140, VK161-VK190, VL001-VL040, VL751-VL790, VL796-VL805, VL891-VL940, VN001-VN050, VN171-VN190, VN211-VN290, VN301-VN340, VN371-VN650, VN671-VN675, VN681-VN730, VN791-VN810, VN921-VN960, VN966-VN967, VN971-VN990, VR421-VR421, VR461-VR461, VR471-VR471, VS051-VS052, VS061-VS061, VS066-VS070, VS073-VS073, VS091-VS094, VS176-VS177, VS196-VS199, VS206-VS207, VS261-VS262, VS266-VS268, |
| 193 | 24 PK | TB0182Y | A010 | BJ | 34-61-13 | D05209J | 10 | L2 | 2 | VL806-VL810, VL871-VL880, VN968-VN970, VS131-VS132, |
| 194 | 24 PK | D02672 | 29 | | 27-58-21 | TB0248D | C017 | L2 | 4 | VK001-VK080, VK131-VK140, VK161-VK190, VL001-VL040, VL751-VL790, VL796-VL805, VL891-VL940, VN001-VN050, VN171-VN190, VN211-VN290, VN301-VN340, VN371-VN650, VN671-VN675, VN681-VN730, VN791-VN810, VN921-VN960, VN966-VN967, VN971-VN990, VR421-VR421, VR461-VR461, VR471-VR471, VS051-VS052, VS061-VS061, VS066-VS070, VS073-VS073, VS091-VS094, VS176-VS177, VS196-VS199, VS206-VS207, VS261-VS262, VS266-VS268, |
| 194 | 24 PK | D02672 | 29 | | 27-58-21 | TB0248D | C017 | L2 | 3 | VL806-VL810, VL871-VL880, VN968-VN970, VS131-VS132, |

286T1078-300
Wire Bundle Assembly
Figure 106 (Sheet 68)

25-71-01

TESTING & FAULT ISOLATION
01
Page 120N
Nov 01/02



BOEING
COMPONENT
MAINTENANCE MANUAL

| WIRE | | FROM EQUIPMENT | | | TO EQUIPMENT | | | WIRE INFO | | | | | |
|--------|----|----------------|---------|------|--------------|----------|---------|-----------|----|---------|----|-------|--|
| NUMBER | GA | TYP | NUMBER | TERM | TT | WDM REF | NUMBER | TERM | TT | EMC/SEP | FT | NOTES | EFFECTIVITY |
| 195 | 24 | PK | D08112J | 5 | | 36-11-62 | TB0248X | B011 | BJ | L2 | 3 | | VK001-VK080, VK131-VK140, VK161-VK190, VL001-VL040, VL751-VL790, VL796-VL805, VL891-VL940, VN001-VN050, VN171-VN190, VN211-VN290, VN301-VN340, VN371-VN650, VN671-VN675, VN681-VN730, VN791-VN810, VN921-VN960, VN966-VN967, VN971-VN990, VR421-VR421, VR461-VR461, VR471-VR471, VS051-VS052, VS061-VS061, VS066-VS070, VS073-VS073, VS091-VS094, VS176-VS177, VS196-VS199, VS206-VS207, VS261-VS262, VS266-VS268, |
| 195 | 24 | PK | D08112J | 5 | | 36-11-62 | TB0248X | B011 | BJ | L2 | 2 | | VL806-VL810, VN968-VN970, VS131-VS132, |
| 196 | 20 | UA | GDX0001 | S.. | 2 | 73-21-11 | D08030J | | | L2 | 3 | | VK001-VK011, VK021-VK030, |
| 197 | 23 | PA | D02672 | 43 | | 27-58-21 | GDX0001 | D.. | 2 | L2 | 3 | | VK001-VK080, VK131-VK140, VK161-VK190, VL001-VL040, VL751-VL790, VL796-VL805, VL891-VL940, VN001-VN050, VN171-VN190, VN211-VN290, VN301-VN340, VN371-VN650, VN671-VN675, VN681-VN730, VN791-VN810, VN921-VN960, VN966-VN967, VN971-VN990, VR421-VR421, VR461-VR461, VR471-VR471, VS051-VS052, VS061-VS061, VS066-VS070, VS073-VS073, VS091-VS094, VS176-VS177, VS196-VS199, VS206-VS207, VS261-VS262, VS266-VS268, |
| 197 | 22 | PA | D02672 | 43 | | 27-58-21 | GDX0001 | D.. | 2 | L2 | 2 | | VL806-VL810, VL871-VL880, VN968-VN970, VS131-VS132, |
| 198 | 22 | PA | TB0248D | A018 | 2 | 27-61-11 | D05277J | 16 | | L2 | 3 | | VK001-VK080, VK131-VK140, VK161-VK190, VL001-VL040, VL751-VL790, VL796-VL805, VL891-VL940, VN001-VN050, VN171-VN190, VN211-VN290, VN301-VN340, VN371-VN650, VN671-VN675, VN681-VN730, VN791-VN810, VN921-VN960, VN966-VN967, VN971-VN990, VR421-VR421, VR461-VR461, VR471-VR471, VS051-VS052, VS061-VS061, VS066-VS070, VS073-VS073, VS091-VS094, VS176-VS177, VS196-VS199, VS206-VS207, VS261-VS262, VS266-VS268, |
| 198 | 22 | PA | TB0248D | A018 | 2 | 27-61-11 | D05277J | 16 | | L2 | 2 | | VL806-VL810, VL871-VL880, VN968-VN970, VS131-VS132, |

286T1078-300
Wire Bundle Assembly
Figure 106 (Sheet 69)

25-71-01

| WIRE | | FROM EQUIPMENT | | | TO EQUIPMENT | | | WIRE INFO | | | | | |
|--------|----|----------------|--------|------|--------------|----------|---------|-----------|----|---------|----|-------|---|
| NUMBER | GA | TYP | NUMBER | TERM | TT | WDM REF | NUMBER | TERM | TT | EMC/SEP | FT | NOTES | EFFECTIVITY |
| 201B | 24 | PL | D02672 | 18 | | 27-58-31 | D08030J | 20 | | L2 | 3 | | VK001-VK080, VK131-VK140, VK161-VK190, VL001-VL040, VL751-VL790, VL796-VL805, VL891-VL940, VN001-VN050, VN171-VN190, VN211-VN290, VN301-VN340, VN371-VN650, VN671-VN675, VN681-VN730, VN791-VN810, VN921-VN960, VN966-VN967, VN971-VN990, VR421-VR421, VR461-VR461, VR471-VR471, VS051-VS052, VS061-VS061, VS066-VS070, VS073-VS073, VS091-VS094, VS176-VS177, VS196-VS199, VS206-VS207, VS261-VS262, VS266-VS268, VL806-VL810, VL871-VL880, VN968-VN970, VS131-VS132, VK001-VK080, VK131-VK140, VK161-VK190, VL001-VL040, VL751-VL790, VL796-VL805, VL891-VL940, VN001-VN050, VN171-VN190, VN211-VN290, VN301-VN340, VN371-VN650, VN671-VN675, VN681-VN730, VN791-VN810, VN921-VN960, VN966-VN967, VN971-VN990, VR421-VR421, VR461-VR461, VR471-VR471, VS051-VS052, VS061-VS061, VS066-VS070, VS073-VS073, VS091-VS094, VS176-VS177, VS196-VS199, VS206-VS207, VS261-VS262, VS266-VS268, VL806-VL810, VL871-VL880, VN968-VN970, VS131-VS132, VK001-VK080, VK131-VK140, VK161-VK190, VL001-VL040, VL751-VL790, VL796-VL805, VL891-VL940, VN001-VN050, VN171-VN190, VN211-VN290, VN301-VN340, VN371-VN650, VN671-VN675, VN681-VN730, VN791-VN810, VN921-VN960, VN966-VN967, VN971-VN990, VR421-VR421, VR461-VR461, VR471-VR471, VS051-VS052, VS061-VS061, VS066-VS070, VS073-VS073, VS091-VS094, VS176-VS177, VS196-VS199, VS206-VS207, VS261-VS262, VS266-VS268, VL806-VL810, VL871-VL880, VN968-VN970, VS131-VS132, |
| 201B | 24 | PL | D02672 | 18 | | 27-58-31 | D08030J | 20 | | L2 | 2 | | |
| 201R | 24 | PL | D02672 | 17 | | 27-58-31 | D08030J | 21 | | L2 | | | |
| 202B | 24 | PL | D02672 | 21 | | 22-32-13 | D05277J | 21 | | L2 | 3 | | |
| 202B | 24 | PL | D02672 | 21 | | 22-32-13 | D05277J | 21 | | L2 | 3 | | |
| 202B | 24 | PL | D02672 | 21 | | 22-32-13 | D05277J | 21 | | L2 | 3 | | |
| 202B | 24 | PL | D02672 | 21 | | 22-32-13 | D05277J | 21 | | L2 | 2 | | |
| 202R | 24 | PL | D02672 | 19 | | 22-32-13 | D05277J | 20 | | L2 | | | |
| 203B | 24 | PL | D02672 | 9 | | 27-58-21 | D08030J | 22 | | L2 | 3 | | |
| 203B | 24 | PL | D02672 | 9 | | 27-58-21 | D08030J | 22 | | L2 | 3 | | |
| 203B | 24 | PL | D02672 | 9 | | 27-58-21 | D08030J | 22 | | L2 | 3 | | |
| 203B | 24 | PL | D02672 | 9 | | 27-58-21 | D08030J | 22 | | L2 | 2 | | |
| 203R | 24 | PL | D02672 | 10 | | 27-58-21 | D08030J | 23 | | L2 | | | |

286T1078-300
Wire Bundle Assembly
Figure 106 (Sheet 70)



BOEING
COMPONENT
MAINTENANCE MANUAL

| WIRE | | FROM EQUIPMENT | | | TO EQUIPMENT | | | WIRE INFO | | |
|--------|--------|----------------|---------|----------|--------------|---------|---------|-----------|-------|--|
| NUMBER | GA TYP | NUMBER | TERM TT | WDM REF | NUMBER | TERM TT | EMC/SEP | FT | NOTES | EFFECTIVITY |
| 204B | 22 PB | D02672 | 41 | 27-41-11 | D05277J | 5 | L2 | 3 | | VK001-VK080, VK131-VK140, VK161-VK190, VL001-VL040, VL751-VL790, VL796-VL805, VL891-VL940, VN001-VN050, VN171-VN190, VN211-VN290, VN301-VN340, VN371-VN650, VN671-VN675, VN681-VN730, VN791-VN810, VN921-VN960, VN966-VN967, VN971-VN990, VR421-VR421, VR461-VR461, VR471-VR471, VS051-VS052, VS061-VS061, VS066-VS070, VS073-VS073, VS091-VS094, VS176-VS177, VS196-VS199, VS206-VS207, VS261-VS262, VS266-VS268, |
| 204B | 22 PB | D02672 | 41 | 27-41-11 | D05277J | 5 | L2 | 2 | | VL806-VL810, VL871-VL880, VN968-VN970, VS131-VS132, |
| 204R | 22 PB | D02672 | 40 | 27-41-11 | D05277J | 4 | L2 | | | |
| 207B | 24 PL | TB0158F | A019 | 27-51-31 | D08030J | 18 | L2 | 3 | | VK001-VK080, VK131-VK140, VK161-VK190, VL001-VL040, VL751-VL790, VL796-VL805, VL891-VL940, VN001-VN050, VN171-VN190, VN211-VN290, VN301-VN340, VN371-VN650, VN671-VN675, VN681-VN730, VN791-VN810, VN921-VN960, VN966-VN967, VN971-VN990, VR421-VR421, VR461-VR461, VR471-VR471, VS051-VS052, VS061-VS061, VS066-VS070, VS073-VS073, VS091-VS094, VS176-VS177, VS196-VS199, VS206-VS207, VS261-VS262, VS266-VS268, |
| 207B | 24 PL | TB0158F | A019 | 27-51-31 | D08030J | 18 | L2 | 2 | | VL806-VL810, VL871-VL880, VN968-VN970, VS131-VS132, |
| 207R | 24 PL | TB0158F | C019 | 27-51-31 | D08030J | 19 | L2 | | | |
| 208B | 24 PL | D02672 | 35 | 27-58-21 | D05277J | 32 | L2 | 3 | | VK001-VK080, VK131-VK140, VK161-VK190, VL001-VL040, VL751-VL790, VL796-VL805, VL891-VL940, VN001-VN050, VN171-VN190, VN211-VN290, VN301-VN340, VN371-VN650, VN671-VN675, VN681-VN730, VN791-VN810, VN921-VN960, VN966-VN967, VN971-VN990, VR421-VR421, VR461-VR461, VR471-VR471, VS051-VS052, VS061-VS061, VS066-VS070, VS073-VS073, VS091-VS094, VS176-VS177, VS196-VS199, VS206-VS207, VS261-VS262, VS266-VS268, |
| 208B | 24 PL | D02672 | 35 | 27-58-21 | D05277J | 32 | L2 | 2 | | VL806-VL810, VL871-VL880, VN968-VN970, VS131-VS132, |
| 208R | 24 PL | D02672 | 31 | 27-58-21 | D05277J | 33 | L2 | | | |
| 211B | 24 PL | D08030J | 38 | 77-12-12 | TB0182X | A007 | L2 | 3 | | VK001-VK011, VK021-VK030, |

286T1078-300
Wire Bundle Assembly
Figure 106 (Sheet 71)

25-71-01

| WIRE | | FROM EQUIPMENT | | | TO EQUIPMENT | | | WIRE INFO | | |
|--------|--------|----------------|---------|----------|--------------|---------|---------|-----------|-------|---|
| NUMBER | GA TYP | NUMBER | TERM TT | WDM REF | NUMBER | TERM TT | EMC/SEP | FT | NOTES | EFFECTIVITY |
| 211B | 24 FW | D08030J | 40 | 77-12-12 | TB0182X | B007 BJ | L2 | 3 | | VK012-VK020, VK131-VK140, VK181-VK190, VL001-VL010, VL751-VL790, VL891-VL930, VN001-VN050, VN231-VN240, VN301-VN340, VN421-VN490, VN546-VN550, VN634-VN650, VN791-VN810, VN921-VN930, VN951-VN960, VR461-VR461, VS051-VS052, VS073-VS073, VS176-VS177, VS196-VS199, VS261-VS262, VS266-VS268, |
| 211B | 24 FW | D08030J | 38 | 77-12-12 | TB0182X | A007 BJ | L2 | 3 | | VK031-VK054, |
| 211B | 24 FW | D08030J | 40 | 77-12-12 | TB0182X | C018 BJ | L2 | 3 | | VK055-VK080, VK161-VK180, VL011-VL040, VL796-VL805, VL931-VL940, VN171-VN190, VN211-VN220, VN223-VN230, VN241-VN290, VN371-VN420, VN491-VN545, VN551-VN633, VN671-VN675, VN681-VN730, VN931-VN950, VN966-VN967, VN971-VN990, VR421-VR421, VR471-VR471, VS061-VS061, VS066-VS070, VS091-VS094, VS206-VS207, |
| 211B | 24 FW | D08030J | 40 | 77-12-12 | TB0182X | C018 BJ | L2 | 2 | | VL806-VL810, |
| 211B | 24 FW | D08068J | 25 | 77-12-13 | TB0182X | C018 BJ | L2 | 2 | | VL871-VL880, |
| 211B | 24 FW | D08030J | 40 | 77-12-12 | TB0158Y | C026 BJ | L2 | 3 | | VN221-VN222, |
| 211B | 24 FW | D08030J | 40 | 77-12-12 | TB0182X | B007 BJ | L2 | 2 | | VN968-VN970, VS131-VS132, |
| 211R | 24 PL | D08030J | 40 | 77-12-12 | TB0182X | B007 BJ | L2 | 2 | | VK001-VK011, VK021-VK030, |
| 211R | 24 FW | D08030J | 38 | 77-12-12 | TB0182X | A007 BJ | L2 | 2 | | VK012-VK020, VK131-VK140, VK181-VK190, VL001-VL010, VL751-VL790, VL891-VL930, VN001-VN050, VN231-VN240, VN301-VN340, VN421-VN490, VN546-VN550, VN634-VN650, VN791-VN810, VN921-VN930, VN951-VN960, VN968-VN970, VR461-VR461, VS051-VS052, VS073-VS073, VS131-VS132, VS176-VS177, VS196-VS199, VS261-VS262, VS266-VS268, |
| 211R | 24 FW | D08030J | 40 | 77-12-12 | TB0182X | B007 BJ | L2 | 2 | | VK031-VK054, |
| 211R | 24 FW | D08030J | 38 | 77-12-12 | TB0182X | A018 BJ | L2 | 2 | | VK055-VK080, VK161-VK180, VL011-VL040, VL796-VL810, VL931-VL940, VN171-VN190, VN211-VN220, VN223-VN230, VN241-VN290, VN371-VN420, VN491-VN545, VN551-VN633, VN671-VN675, VN681-VN730, VN931-VN950, VN966-VN967, VN971-VN990, VR421-VR421, VR471-VR471, VS061-VS061, VS066-VS070, VS091-VS094, VS206-VS207, |
| 211R | 24 FW | D08068J | 24 | 77-12-13 | TB0182X | B018 BJ | L2 | 2 | | VL871-VL880, |
| 211R | 24 FW | D08030J | 38 | 77-12-12 | TB0158Y | A026 BJ | L2 | 2 | | VN221-VN222, |

286T1078-300
Wire Bundle Assembly
Figure 106 (Sheet 72)

25-71-01



BOEING
COMPONENT
MAINTENANCE MANUAL

| WIRE | | FROM EQUIPMENT | | | TO EQUIPMENT | | | WIRE INFO | | | |
|--------|--------|----------------|---------|----------|--------------|---------|----------|-----------|-------|--|--|
| NUMBER | GA TYP | NUMBER | TERM TT | WDM REF | NUMBER | TERM TT | EMC/ SEP | FT | NOTES | EFFECTIVITY | |
| 211Z | | D08030J | 49 | 77-12-12 | TB0182X | D008 BJ | L2 | | | VK012-VK020, VK031-VK054, VK131-VK140, VK181-VK190, VL001-VL010, VL751-VL790, VL891-VL930, VN001-VN050, VN231-VN240, VN301-VN340, VN421-VN490, VN546-VN550, VN634-VN650, VN791-VN810, VN921-VN930, VN951-VN960, VN968-VN970, VR461-VR461, VS051-VS052, VS073-VS073, VS131-VS132, VS176-VS177, VS196-VS199, VS261-VS262, VS266-VS268, | |
| 211Z | | D08030J | 39 | 77-12-12 | TB0182Y | REF | L2 | | | VK055-VK080, VK161-VK180, VL796-VL810, VL931-VL940, VN174-VN190, VN213-VN220, VN223-VN230, VN242-VN290, VN371-VN420, VN491-VN545, VN551-VN633, VN671-VN675, VN681-VN730, VN931-VN950, VN966-VN967, VN971-VN990, VR421-VR421, VR471-VR471, VS061-VS061, VS066-VS070, VS091-VS094, VS206-VS207, | |
| 211Z | | D08030J | 39 | 77-12-12 | TB0182Y | A017 BJ | L2 | | | VL011-VL040, VN171-VN173, VN211-VN212, VN241-VN241, VL871-VL880, | |
| 211Z | | D08068J | 26 | 77-12-13 | TB0182X | A018 BJ | L2 | | | VL871-VL880, | |
| 211Z | | D08030J | 39 | 77-12-12 | TB0158Z | 28 BJ | L2 | | | VN221-VN222, | |
| 212B | 24 PL | D04978J | 38 | 77-12-12 | TB0248X | A016 BJ | L2 | 3 | | VK001-VK011, VK021-VK030, | |
| 212B | 24 PW | D04978J | 39 | 77-12-12 | TB0248X | B016 BJ | L2 | 3 | | VK012-VK020, VK131-VK140, VK181-VK190, VL001-VL010, VL751-VL790, VL911-VL930, VN001-VN050, VN231-VN240, VN301-VN340, VN421-VN490, VN546-VN550, VN634-VN650, VN791-VN810, VN921-VN930, VN951-VN960, VR461-VR461, VS051-VS052, VS073-VS073, VS176-VS177, VS196-VS199, VS261-VS262, VS266-VS268, | |
| 212B | 24 PW | D04978J | 38 | 77-12-12 | TB0248X | A016 BJ | L2 | 3 | | VK031-VK054, | |
| 212B | 24 PW | D04978J | 39 | 77-12-12 | TB0248X | B016 BJ | L2 | 3 | | VL891-VL910, | |
| 212B | 24 PW | D04978J | 39 | 77-12-12 | TB0248X | B016 BJ | L2 | 2 | | VN968-VN970, VS131-VS132, | |
| 212R | 24 PL | D04978J | 39 | 77-12-12 | TB0248X | B016 BJ | L2 | | | VK001-VK011, VK021-VK030, | |
| 212R | 24 PW | D04978J | 38 | 77-12-12 | TB0248X | A016 BJ | L2 | | | VK012-VK020, VK131-VK140, VK181-VK190, VL001-VL010, VL751-VL790, VL911-VL930, VN001-VN050, VN231-VN240, VN301-VN340, VN421-VN490, VN546-VN550, VN634-VN650, VN791-VN810, VN921-VN930, VN951-VN960, VN968-VN970, VR461-VR461, VS051-VS052, VS073-VS073, VS131-VS132, VS176-VS177, VS196-VS199, VS261-VS262, VS266-VS268, | |

286T1078-300
Wire Bundle Assembly
Figure 106 (Sheet 73)

25-71-01

| WIRE | | FROM EQUIPMENT | | | TO EQUIPMENT | | | WIRE INFO | | |
|--------|--------|----------------|---------|----------|--------------|---------|---------|-----------|-------|---|
| NUMBER | GA TYP | NUMBER | TERM TT | WDM REF | NUMBER | TERM TT | EMC/SEP | FT | NOTES | EFFECTIVITY |
| 212R | 24 PW | D04978J | 39 | 77-12-12 | TB0248X | B016 BJ | L2 | | | VK031-VK054, VL891-VL910, VK012-VK020, VK031-VK054, VK131-VK140, VK181-VK190, VL001-VL010, VL751-VL790, VL911-VL930, VN001-VN050, VN231-VN240, VN301-VN340, VN421-VK490, VN546-VN550, VN634-VN650, VN791-VN810, VN921-VN930, VN951-VN960, VN968-VN970, VR461-VR461, VS051-VS052, VS073-VS073, VS131-VS132, VS176-VS177, VS196-VS199, VS261-VS262, VS266-VS268, |
| 212Z | | | | | | | | | | |
| 240 | 22 PA | D04978J | 40 | 77-12-12 | TB0248X | C016 BJ | L2 | 3 | | VL891-VL910, VK012-VK020, VK131-VK140, VK161-VK170, VK181-VK190, VL001-VL040, VL751-VL790, VL911-VL930, VL966-VL985, VL891-VL930, VN001-VN050, VN171-VN190, VN211-VN220, VN231-VN290, VN301-VN340, VN371-VN490, VN531-VN650, VN791-VN810, VN921-VN930, VN951-VN960, VR461-VR461, VS051-VS052, VS061-VS061, VS066-VS070, VS073-VS073, VS176-VS177, VS196-VS199, VS261-VS262, VS266-VS268, |
| 240 | 22 PA | D08112J | 36 | 36-11-61 | D01886 | 27 | L2 | 4 | | VK055-VK080, VK171-VK180, VL931-VL940, VN221-VN230, VN491-VN530, VN671-VN675, VN681-VN730, VN931-VN950, VN966-VN967, VN971-VN990, VR421-VR421, VR471-VR471, VS091-VS094, VS206-VS207, VL806-VL810, VN968-VN970, VS131-VS132, VL871-VL880, VL871-VL880, VL871-VL880, |
| 240B | 24 PW | D05277J | 3 | 36-11-61 | D08068J | 33 | L2 | 1 | | |
| 240R | 24 PW | D05277J | 2 | 36-11-61 | D08068J | 32 | L2 | | | |
| 240Z | | D05277J | 6 | 36-11-61 | D08068J | 31 | L2 | | | |
| 241 | 22 PA | D08112J | 37 | 36-11-61 | D01886 | 61 | L2 | 3 | | VK012-VK020, VK131-VK140, VK161-VK170, VK181-VK190, VL001-VL040, VL751-VL790, VL911-VL930, VL966-VL985, VL891-VL930, VN001-VN050, VN171-VN190, VN211-VN220, VN231-VN290, VN301-VN340, VN371-VN490, VN531-VN650, VN791-VN810, VN921-VN930, VN951-VN960, VR461-VR461, VS051-VS052, VS061-VS061, VS066-VS070, VS073-VS073, VS176-VS177, VS196-VS199, VS261-VS262, VS266-VS268, |

 286T1078-300
 Wire Bundle Assembly
 Figure 106 (Sheet 74)

25-71-01

 TESTING & FAULT ISOLATION
 01 Page 120T
 Nov 01/02



COMPONENT
MAINTENANCE MANUAL

| WIRE | | FROM EQUIPMENT | | | TO EQUIPMENT | | | WIRE INFO | | | |
|--------|--------|----------------|---------|----------|--------------|---------|---------|-----------|-------|--|--|
| NUMBER | GA TYP | NUMBER | TERM TT | WDM REF | NUMBER | TERM TT | EMC/SEP | FT | NOTES | EFFECTIVITY | |
| 241 | 22 PA | D08112J | 37 | 36-11-61 | D01886 | 61 | L2 | 4 | | VK055-VK080, VK171-VK180, VL931-VL940, VN221-VN230, VN491-VN530, VN671-VN675, VN681-VN730, VN931-VN950, VN966-VN967, VN971-VN990, VR421-VR421, VR471-VR471, VS091-VS094, VS206-VS207, | |
| 241 | 22 PA | D08112J | 37 | 36-11-61 | D01886 | 61 | L2 | 2 | | VL806-VL810, VN968-VN970, VS131-VS132, | |
| 242 | 24 PK | D08112J | 38 | 36-11-61 | D01886 | 47 | L2 | 3 | | VK012-VK020, VK131-VK140, VK161-VK170, VK181-VK190, VL001-VL040, VL751-VL790, VL796-VL805, VL891-VL930, VN001-VN050, VN171-VN190, VN211-VN220, VN231-VN290, VN301-VN340, VN371-VN490, VN531-VN650, VN791-VN810, VN921-VN930, VN951-VN960, VR461-VR461, VS051-VS052, VS061-VS061, VS066-VS070, VS073-VS073, VS176-VS177, VS196-VS199, VS261-VS262, VS266-VS268, | |
| 242 | 24 PK | D08112J | 38 | 36-11-61 | D01886 | 47 | L2 | 4 | | VK055-VK080, VK171-VK180, VL931-VL940, VN221-VN230, VN491-VN530, VN671-VN675, VN681-VN730, VN931-VN950, VN966-VN967, VN971-VN990, VR421-VR421, VR471-VR471, VS091-VS094, VS206-VS207, | |
| 242 | 24 PK | D08112J | 38 | 36-11-61 | D01886 | 47 | L2 | 2 | | VL806-VL810, VN968-VN970, VS131-VS132, | |
| 243 | 24 PK | D08112J | 39 | 36-11-61 | D01886 | 18 | L2 | 3 | | VK012-VK020, VK131-VK140, VK161-VK170, VK181-VK190, VL001-VL040, VL751-VL790, VL796-VL805, VL891-VL930, VN001-VN050, VN171-VN190, VN211-VN220, VN231-VN290, VN301-VN340, VN371-VN490, VN531-VN650, VN791-VN810, VN921-VN930, VN951-VN960, VR461-VR461, VS051-VS052, VS061-VS061, VS066-VS070, VS073-VS073, VS176-VS177, VS196-VS199, VS261-VS262, VS266-VS268, | |
| 243 | 24 PK | D08112J | 39 | 36-11-61 | D01886 | 18 | L2 | 4 | | VK055-VK080, VK171-VK180, VL931-VL940, VN221-VN230, VN491-VN530, VN671-VN675, VN681-VN730, VN931-VN950, VN966-VN967, VN971-VN990, VR421-VR421, VR471-VR471, VS091-VS094, VS206-VS207, | |
| 243 | 24 PK | D08112J | 39 | 36-11-61 | D01886 | 18 | L2 | 2 | | VL806-VL810, VN968-VN970, VS131-VS132, | |

286T1078-300
Wire Bundle Assembly
Figure 106 (Sheet 75)

25-71-01

TESTING & FAULT ISOLATION
01 Page 120U
Nov 01/02

| WIRE | | FROM EQUIPMENT | | | TO EQUIPMENT | | | WIRE INFO | | |
|--------|--------|----------------|---------|----------|--------------|---------|----------|-----------|-------|--|
| NUMBER | GA TYP | NUMBER | TERM TT | WDM REF | NUMBER | TERM TT | BMC/ SEP | FT | NOTES | EFFECTIVITY |
| 246 | 24 PK | D08112J | 23 | 36-11-61 | D01886 | 65 | L2 | 3 | | VK012-VK020, VK131-VK140, VK161-VK170, VK181-VK190, VL001-VL040, VL751-VL790, VL796-VL805, VL891-VL930, VN001-VN050, VN171-VN190, VN211-VN220, VN231-VN290, VN301-VN340, VN371-VN490, VN531-VN650, VN791-VN810, VN921-VN930, VN951-VN960, VR461-VR461, VS051-VS052, VS061-VS061, VS066-VS070, VS073-VS073, VS176-VS177, VS196-VS199, VS261-VS262, VS266-VS268, |
| 246 | 24 PK | D08112J | 23 | 36-11-61 | D01886 | 65 | L2 | 4 | | VK055-VK080, VK171-VK180, VL931-VL940, VN221-VN230, VN491-VN530, VN671-VN675, VN681-VN730, VN931-VN950, VN966-VN967, VN971-VN990, VR421-VR421, VR471-VR471, VS091-VS094, VS206-VS207, |
| 246 | 24 PK | D08112J | 23 | 36-11-61 | D01886 | 65 | L2 | 2 | | VL806-VL810, VN968-VN970, VS131-VS132, |
| 247 | 24 PK | D08112J | 24 | 36-11-62 | TB0248X | A006 BJ | L2 | 3 | | VK012-VK020, VK131-VK140, VK181-VK190, VL001-VL010, VL751-VL790, VL891-VL930, VN001-VN050, VN231-VN240, VN301-VN340, VN421-VN490, VN546-VN550, VN637-VN650, VN791-VN810, VN921-VN930, VN951-VN960, VR461-VR461, VS051-VS052, VS073-VS073, VS176-VS177, VS196-VS199, VS261-VS262, VS266-VS268, |
| 247 | 24 PK | D08112J | 24 | 36-11-62 | TB0248X | D011 BJ | L2 | 3 | | VK055-VK080, VK161-VK180, VL011-VL040, VL796-VL805, VL931-VL940, VN171-VN190, VN211-VN230, VN241-VN290, VN371-VN420, VN491-VN545, VN551-VN636, VN671-VN675, VN681-VN730, VN931-VN950, VN966-VN967, VN971-VN990, VR421-VR421, VR471-VR471, VS061-VS061, VS066-VS070, VS091-VS094, VS206-VS207, |
| 247 | 24 PK | D08112J | 24 | 36-11-62 | TB0248X | D011 BJ | L2 | 2 | | VL806-VL810, |
| 247 | 24 PK | D08112J | 24 | 36-11-62 | TB0248X | A006 BJ | L2 | 2 | | VN968-VN970, VS131-VS132, |
| 248 | 22 PA | D01886 | 66 | 36-11-61 | SM00007 | W | L2 | 3 | | VK012-VK020, VK131-VK140, VK161-VK170, VK181-VK190, VL001-VL040, VL751-VL790, VL796-VL810, VL891-VL930, VN001-VN050, VN171-VN190, VN211-VN220, VN231-VN290, VN301-VN340, VN371-VN490, VN531-VN650, VN791-VN810, VN921-VN930, VN951-VN960, VR461-VR461, VS051-VS052, VS061-VS061, VS066-VS070, VS073-VS073, VS176-VS177, VS196-VS199, VS261-VS262, VS266-VS268, |

 286T1078-300
 Wire Bundle Assembly
 Figure 106 (Sheet 76)

25-71-01

 TESTING & FAULT ISOLATION
 01 Page 120V
 Nov 01/02



BOEING
COMPONENT
MAINTENANCE MANUAL

| WIRE | | FROM EQUIPMENT | | | TO EQUIPMENT | | | WIRE INFO | | |
|--------|--------|----------------|---------|----------|--------------|---------|----------|-----------|-------|--|
| NUMBER | GA TYP | NUMBER | TERM TT | WDM REF | NUMBER | TERM TT | EMC/ SEP | FT | NOTES | EFFECTIVITY |
| 248 | 22 PA | SM00007 | | 36-11-61 | D01886 | 66 | L2 | 3 | | VK055-VK080, VK171-VK180, VL940, VN221-VN230, VN491-VN530, VN671-VN675, VN681-VN730, VN931-VN950, VN966-VN967, VN971-VN990, VR421-VR421, VR471-VR471, VS091-VS094, VS206-VS207, |
| 248 | 22 PA | SM00007 | W | 36-11-61 | D01886 | 66 | L2 | 2 | | VN968-VN970, VS131-VS132, |
| 249 | 22 PA | D01886 | 34 | 36-11-61 | SM00007 | | L2 | 3 | | VK012-VK020, VK131-VK140, VK161-VK170, VK181-VK190, VL001-VL040, VL751-VL790, VL796-VL810, VL891-VL930, VN001-VN050, VN171-VN190, VN211-VN220, VN231-VN290, VN301-VN340, VN371-VN490, VN531-VN650, VN791-VN810, VN921-VN930, VN951-VN960, VR461-VR461, VS051-VS052, VS061-VS061, VS066-VS070, VS073-VS073, VS176-VS177, VS196-VS199, VS261-VS262, VS266-VS268, |
| 249 | 22 PA | SM00007 | W | 36-11-61 | D01886 | 34 | L2 | 3 | | VK055-VK080, VK171-VK180, VL940, VN221-VN230, VN491-VN530, VN671-VN675, VN681-VN730, VN931-VN950, VN966-VN967, VN971-VN990, VR421-VR421, VR471-VR471, VS091-VS094, VS206-VS207, |
| 249 | 22 PA | SM00007 | W | 36-11-61 | D01886 | 34 | L2 | 2 | | VN968-VN970, VS131-VS132, |
| 250B | 24 PW | D08112J | 42 | 77-12-12 | TB0182Y | C018 | L2 | 3 | | VK055-VK080, VK161-VK180, VL011-VL040, VL796-VL805, VL931-VL940, VN171-VN190, VN211-VN220, VN223-VN230, VN241-VN290, VN371-VN420, VN491-VN545, VN551-VN633, VN671-VN675, VN681-VN730, VN931-VN950, VN966-VN967, VN971-VN990, VR421-VR421, VR471-VR471, VS061-VS061, VS066-VS070, VS091-VS094, VS206-VS207, |
| 250B | 24 PW | D08112J | 42 | 77-12-12 | TB0182Y | C018 | L2 | 2 | | VL806-VL810, |
| 250B | 24 PW | D08112J | 42 | 77-12-12 | TB0182X | C017 | L2 | 2 | | VL871-VL880, |
| 250R | 24 PW | D08112J | 41 | 77-12-12 | TB0182Y | A018 | L2 | 3 | | VN221-VN222, |
| 250R | 24 PW | D04978J | 46 | 77-12-13 | TB0182X | B017 | L2 | | | VK055-VK080, VK161-VK180, VL011-VL040, VL796-VL810, VL931-VL940, VN171-VN190, VN211-VN220, VN223-VN230, VN241-VN290, VN371-VN420, VN491-VN545, VN551-VN633, VN671-VN675, VN681-VN730, VN931-VN950, VN966-VN967, VN971-VN990, VR421-VR421, VR471-VR471, VS061-VS061, VS066-VS070, VS091-VS094, VS206-VS207, |
| 250R | 24 PW | D08112J | 41 | 77-12-12 | TB0158Y | A026 | L2 | | | VL871-VL880, |
| | | | | | | | | | | VN221-VN222, |

286T1078-300
Wire Bundle Assembly
Figure 106 (Sheet 77)

25-71-01



COMPONENT
MAINTENANCE MANUAL

| WIRE | | FROM EQUIPMENT | | | TO EQUIPMENT | | | WIRE INFO | | | | | |
|--------|----|----------------|---------|------|--------------|----------|---------|-----------|----|-------------|----|-------|--|
| NUMBER | GA | TYP | NUMBER | TERM | TT | WDM REF | NUMBER | TERM | TT | EMC/ SEP | FT | NOTES | EFFECTIVITY |
| 250Z | | | D08112J | 43 | | 77-12-12 | TB0182Y | REF | | L2 | | | VK055-VK080, VK161-VK180, VL796-VL810, VL931-VL940, VN174-VN190, VN213-VN220, VN223-VN230, VN242-VN290, VN371-VN420, VN491-VN545, VN551-VN633, VN671-VN675, VN681-VN730, VN931-VN950, VN966-VN967, VN971-VN990, VR421-VR421, VR471-VR471, VS061-VS061, VS066-VS070, VS091-VS094, VS206-VS207, |
| 250Z | | | D08112J | 43 | | 77-12-12 | TB0182X | A017 | BJ | L2 | | | VL011-VL040, VN171-VN173, VN211-VN212, VN241-VN241, VL871-VL880, |
| 250Z | | | D08112J | 43 | | 77-12-12 | TB0158Z | 28 | BJ | L2 | | | VN221-VN222, |
| 251 | 24 | PK | D08112J | 40 | | 36-11-61 | D01886 | 17 | | L2 | 3 | | VK012-VK020, VK131-VK140, VK161-VK170, VK181-VK190, VL001-VL040, VL751-VL790, VL796-VL805, VL891-VL930, VN001-VN050, VN171-VN190, VN211-VN220, VN231-VN290, VN301-VN340, VN371-VN490, VN531-VN650, VN791-VN810, VN921-VN930, VN951-VN960, VR461-VR461, VS051-VS052, VS061-VS061, VS066-VS070, VS073-VS073, VS176-VS177, VS196-VS199, VS261-VS262, VS266-VS266, |
| 251 | 24 | PK | D08112J | 40 | | 36-11-61 | D01886 | 17 | | L2 | 4 | | VK055-VK080, VK171-VK180, VL931-VL940, VN221-VN230, VN491-VN530, VN671-VN675, VN681-VN730, VN931-VN950, VN966-VN967, VN971-VN990, VR421-VR421, VR471-VR471, VS091-VS094, VS206-VS207, |
| 251 | 24 | PK | D08112J | 40 | | 36-11-61 | D01886 | 17 | | L2 | 2 | | VL806-VL810, VN968-VN970, VS131-VS132, |
| 252 | 22 | PA | D08068J | 44 | | 36-11-51 | SM00001 | | W | L2 | 1 | | VK012-VK020, VK131-VK140, VK161-VK170, VK181-VK190, VL001-VL040, VL751-VL790, VL796-VL810, VL891-VL930, VN171-VN190, VN211-VN220, VN231-VN290, VN301-VN340, VN371-VN490, VN531-VN650, VN791-VN810, VN921-VN930, VN951-VN960, VR461-VR461, VS051-VS052, VS061-VS061, VS066-VS070, VS073-VS073, VS176-VS177, VS261-VS262, VS266-VS266, |
| 252 | 22 | PA | SM00001 | | W | 36-11-51 | D08068J | 44 | | L2 | 2 | | VK055-VK080, VK171-VK180, VL931-VL940, VN221-VN230, VN491-VN530, VN671-VN675, VN681-VN730, VN931-VN950, VN966-VN967, VN971-VN990, VR421-VR421, VR471-VR471, VS091-VS094, VS206-VS207, |
| 252 | 22 | PA | D08068J | 44 | | 36-11-51 | SM00001 | | W | L2 | 3 | | VN001-VN050, VS196-VS199, |
| 252 | 22 | PA | SM00001 | | W | 36-11-51 | D08068J | 44 | | L2 | 1 | | VN968-VN970, VS131-VS132, |

286T1078-300
Wire Bundle Assembly
Figure 106 (Sheet 78)

25-71-01



BOEING
COMPONENT
MAINTENANCE MANUAL

| WIRE | | FROM EQUIPMENT | | | TO EQUIPMENT | | | WIRE INFO | | | |
|--------|--------|----------------|---------|----------|--------------|---------|---------|-----------|----------------------------|--|--|
| NUMBER | GA TYP | NUMBER | TERM TT | WDM REF | NUMBER | TERM TT | EMC/SEP | FT | NOTES | EFFECTIVITY | |
| 254 | 22 PA | TB0182Y | A002 BJ | 21-23-11 | D04978J | 50 | L2 | 4 | | VK012-VK020, VK023-VK030, VK055-VK080, VK134-VK140, VK162-VK190, VL751-VL790, VL796-VL805, VL911-VL940, VN029-VN050, VN174-VN190, VN213-VN220, VN235-VN240, VN244-VN250, VN263-VN290, VN309-VN340, VN373-VN375, VN377-VN380, VN384-VN470, VN473-VN490, VN506-VN530, VN533-VN535, VN538-VN540, VN543-VN550, VN552-VN555, VN558-VN630, VN686-VN730, VN793-VN810, VN921-VN960, VN966-VN967, VN971-VN990, VR421-VR421, VR461-VR461, VR471-VR471, VS051-VS052, VS061-VS061, VS066-VS070, VS073-VS073, VS091-VS094, VS176-VS177, VS196-VS199, VS206-VS207, VS261-VS262, VS266-VS268, | |
| 254 | 22 PA | TB0182Y | A002 BJ | 21-23-11 | D04978J | 50 | L2 | 4 | MNT-F2 MLA-T2 ZSZ-B6 | VK021-VK022, VK161-VK161, VN001-VN028, VN371-VN372, VN382-VN383, VN471-VN472, VN491-VN505, VN791-VN792, | |
| 254 | 22 PA | TB0182Y | A002 BJ | 21-23-11 | D04978J | 50 | L2 | 2 | | VL871-VL880, VN968-VN970, VS131-VS132, | |
| 255 | 22 PA | TB0158Y | A001 BJ | 21-23-11 | D04978J | 51 | L2 | 4 | | VK012-VK020, VK023-VK030, VK055-VK080, VK134-VK140, VK171-VK190, VL751-VL790, VL911-VL940, VN029-VN050, VN174-VN190, VN235-VN240, VN263-VN290, VN309-VN340, VN473-VN490, VN506-VN530, VN686-VN730, VN793-VN810, VN921-VN960, VR421-VR421, VR461-VR461, VR471-VR471, VS051-VS052, VS061-VS061, VS066-VS070, VS073-VS073, VS091-VS094, VS196-VS199, VS206-VS207, VS261-VS262, VS266-VS268, | |
| 255 | 22 PA | TB0158G | 13 | 21-23-11 | D04978J | 51 | L2 | 4 | MNT-F2 MLA-T2 ZSZ-B6 | VK021-VK022, VN001-VN015, | |
| 255 | 22 PA | SM00010 | W | 21-23-11 | D04978J | 51 | L2 | 2 | MEE-F2 MLA-T2 ZSZ-B6 | VK161-VK161, VN371-VN372, VN382-VN383, | |
| 255 | 22 PA | SM00010 | W | 21-23-11 | D04978J | 51 | L2 | 2 | | VK162-VK170, VL796-VL805, VN213-VN220, VN244-VN250, VN373-VN375, VN377-VN380, VN384-VN470, VN533-VN535, VN538-VN540, VN543-VN550, VN552-VN555, VN558-VN630, VN966-VN967, VN971-VN990, VS176-VS177, | |
| 255 | 22 PA | SM00010 | W | 21-23-11 | D04978J | 51 | L2 | 1 | | VL871-VL880, VN968-VN970, VS131-VS132, | |

286T1078-300
Wire Bundle Assembly
Figure 106 (Sheet 79)

25-71-01



COMPONENT
MAINTENANCE MANUAL

| WIRE | | FROM EQUIPMENT | | | TO EQUIPMENT | | | WIRE INFO | | | | | |
|--------|----|----------------|---------|------|--------------|----------|---------|-----------|----|---------|----|----------------------------|--|
| NUMBER | GA | TYP | NUMBER | TERM | TT | WDM REF | NUMBER | TERM | TT | EMC/SEP | FT | NOTES | EFFECTIVITY |
| 255 | 22 | PA | TB0158Y | A001 | BJ | 21-23-11 | D04978J | 51 | | L2 | 4 | MVT-F2 MLA-T2 ZSZ-B6 | VN016-VN028, VN471-VN472, VN451-VN505, VN791-VN792, |
| 255 | 22 | PA | SM00010 | | W | 21-23-51 | D04978J | 51 | | L2 | 2 | MHE-F2 MVH-F2 | VN631-VN633, |
| 301B | 24 | PM | D02672 | 12 | | 27-58-21 | D08030J | 24 | | L2 | 3 | MLA-T2 | VK001-VK080, VK131-VK140, VK161-VK190, VL001-VL040, VL751-VL790, VL796-VL805, VL891-VL940, VN001-VN050, VN171-VN190, VN211-VN290, VN301-VN340, VN371-VN650, VN671-VN675, VN681-VN730, VN791-VN810, VN921-VN960, VN966-VN967, VN971-VN990, VR421-VR421, VR461-VR461, VR471-VR471, VS051-VS052, VS061-VS061, VS066-VS070, VS073-VS073, VS091-VS094, VS176-VS177, VS196-VS199, VS206-VS207, VS261-VS262, VS266-VS268, |
| 301B | 24 | PM | D02672 | 12 | | 27-58-21 | D08030J | 24 | | L2 | 2 | | VL806-VL810, VL871-VL880, VN968-VN970, VS131-VS132, |
| 301R | 24 | PM | D02672 | 13 | | 27-58-21 | D08030J | 25 | | L2 | | | |
| 301Y | 24 | PM | D02672 | 11 | | 27-58-21 | D08030J | 26 | | L2 | | | |
| 302B | 24 | PM | D02672 | 32 | | 27-58-21 | D05277J | 29 | | L2 | 3 | | VK001-VK080, VK131-VK140, VK161-VK190, VL001-VL040, VL751-VL790, VL796-VL805, VL891-VL940, VN001-VN050, VN171-VN190, VN211-VN290, VN301-VN340, VN371-VN650, VN671-VN675, VN681-VN730, VN791-VN810, VN921-VN960, VN966-VN967, VN971-VN990, VR421-VR421, VR461-VR461, VR471-VR471, VS051-VS052, VS061-VS061, VS066-VS070, VS073-VS073, VS091-VS094, VS176-VS177, VS196-VS199, VS206-VS207, VS261-VS262, VS266-VS268, |
| 302B | 24 | PM | D02672 | 32 | | 27-58-21 | D05277J | 29 | | L2 | 2 | | VL806-VL810, VL871-VL880, VN968-VN970, VS131-VS132, |
| 302R | 24 | PM | D02672 | 33 | | 27-58-21 | D05277J | 30 | | L2 | | | |
| 302Y | 24 | PM | D02672 | 34 | | 27-58-21 | D05277J | 31 | | L2 | | | |
| 400 | 24 | PK | D02160 | 5 | | SPARE | D08030J | 53 | | L2 | 3 | | VL011-VL011, VN251-VN290, VS066-VS070, |
| 400 | 24 | PK | D02160 | 5 | | 73-21-14 | D08030J | 53 | | L2 | 3 | | VN171-VN190, VS061-VS061, |
| 401 | 24 | PK | D02160 | 9 | | SPARE | D08030J | 5 | | L2 | 3 | | VL011-VL011, VN251-VN290, VS066-VS070, |
| 401 | 24 | PK | D02160 | 9 | | 73-21-14 | D08030J | 5 | | L2 | 3 | | VN171-VN190, VS061-VS061, |
| 404 | 24 | PK | D02160 | 10 | | SPARE | D08030J | 45 | | L2 | 3 | | VL011-VL011, VN251-VN290, VS066-VS070, VS073-VS073, VS266-VS268, |

286T1078-300
Wire Bundle Assembly
Figure 106 (Sheet 80)

25-71-01



BOEING
COMPONENT
MAINTENANCE MANUAL

| WIRE | | FROM EQUIPMENT | | | TO EQUIPMENT | | | WIRE INFO | | | |
|--------|--------|----------------|---------|----------|--------------|---------|---------|-----------|-------|---|--|
| NUMBER | GA TYP | NUMBER | TERM TT | WDM REF | NUMBER | TERM TT | EMC/SEP | FT | NOTES | EFFECTIVITY | |
| 404 | 24 PK | D02160 | 10 | 73-21-14 | D08030J | 45 | L2 | 3 | | VN171-VN190, VS061-VS061, | |
| 405 | 24 PK | D02160 | 12 | SPARE | D08030J | 50 | L2 | 3 | | VL011-VL011, VN171-VN190, VS061-VS061, | |
| 406 | 24 PK | D02160 | 15 | SPARE | D08030J | 52 | L2 | 3 | | VL011-VL011, VN251-VN290, VS066-VS070, | |
| 408 | 22 PA | D02160 | 16 | SPARE | GDX0001 | D.. | L2 | 3 | | VN171-VN190, VS061-VS061, | |
| 408 | 22 PA | D02160 | 16 | 73-21-14 | GDX0001 | D.. | L2 | 3 | | VL011-VL011, VN251-VN290, VS066-VS070, | |
| 409 | 24 PK | D02160 | 18 | SPARE | D08030J | 47 | L2 | 3 | | VN171-VN190, VS061-VS061, | |
| 409 | 24 PK | D02160 | 18 | 73-21-14 | D08030J | 47 | L2 | 3 | | VL011-VL011, VN251-VN290, VS066-VS070, | |
| 410 | 24 PK | D02160 | 38 | SPARE | D08030J | 54 | L2 | 3 | | VN171-VN190, VS061-VS061, | |
| 410 | 24 PK | D02160 | 38 | 73-21-14 | D08030J | 54 | L2 | 3 | | VL011-VL011, VN251-VN290, VS066-VS070, | |
| 411 | 24 PK | D02160 | 49 | SPARE | D08112J | 31 | L2 | 3 | | VN171-VN190, VS061-VS061, | |
| 411 | 24 PK | D02160 | 49 | 73-21-14 | D08112J | 31 | L2 | 3 | | VL011-VL011, VN251-VN290, VS066-VS070, | |
| 412 | 24 PK | D02160 | 52 | SPARE | D08030J | 51 | L2 | 3 | | VN171-VN190, VS061-VS061, | |
| 412 | 24 PK | D02160 | 52 | 73-21-14 | D08030J | 51 | L2 | 3 | | VL011-VL011, VN251-VN290, VS066-VS070, | |
| 413 | 24 PK | TB0182X | B015 | SPARE | D08030J | 35 | L2 | 2 | | VN171-VN190, VS061-VS061, | |
| 413 | 24 PK | TB0182X | B015 | 73-21-14 | D08030J | 35 | L2 | 2 | | VL011-VL011, VN171-VN190, VS061-VS061, | |
| 414 | 24 PK | TB0182X | C015 | SPARE | D08030J | 10 | L2 | 2 | | VN171-VN190, VS061-VS061, | |
| 415 | 24 PK | TB0182X | A015 | SPARE | D08030J | 49 | L2 | 2 | | VL011-VL011, VN171-VN190, VS061-VS061, | |
| 416 | 24 PK | TB0182X | D015 | SPARE | D08112J | 30 | L2 | 2 | | VL011-VL011, VN171-VN190, VS061-VS061, | |
| 500 | 24 PK | D01884 | 37 | 21-51-11 | D01886 | 8 | L2 | 2 | | VK001-VK011, VK021-VK054, | |
| 500 | 24 PK | D01884 | 37 | 21-51-11 | D01886 | 38 | L2 | 2 | | VK012-VK020, VK055-VK080, VK131-VK140, VK161-VK190, VL001-VL040, VL751-VL790, VL796-VL805, VL911-VL940, VM001-VM050, VN171-VN190, VN211-VN220, VN231-VN290, VN301-VN340, VN371-VN490, VN531-VN633, VN681-VN730, VN791-VN810, VN921-VN960, VN966-VN967, VN971-VN990, VR421-VR421, VR461-VR461, VR471-VR471, VS051-VS052, VS061-VS061, VS066-VS070, VS073-VS073, VS176-VS177, VS196-VS199, VS206-VS207, VS261-VS262, VS266-VS268, | |
| 500 | 24 PK | D04978J | 21 | 21-51-11 | D01886 | 38 | L2 | 2 | | VL806-VL810, | |
| 500 | 24 PK | D01884 | 37 | 21-51-11 | TB0158Y | C010 | L2 | 3 | | VL871-VL880, | |
| 500 | 24 PK | D04978J | 21 | 21-51-11 | D01886 | 38 | L2 | 3 | | VL891-VL910, | |
| 500 | 24 PK | D04978J | 21 | 21-51-11 | D01886 | 38 | L2 | 4 | | VN221-VN230, VN634-VN650, VN671-VN675, | |
| 500 | 24 PK | D01884 | 37 | 21-51-11 | D01886 | 38 | L2 | 4 | | VN491-VN530, VS091-VS094, | |

286T1078-300
Wire Bundle Assembly
Figure 106 (Sheet 81)

25-71-01

TESTING & FAULT ISOLATION

01

Page 121

Nov 01/02

| WIRE | | FROM EQUIPMENT | | | TO EQUIPMENT | | | WIRE INFO | | | | | |
|--------|----|----------------|---------|------|--------------|----------|---------|-----------|----|---------|----|-------|--|
| NUMBER | GA | TYP | NUMBER | TERM | TT | WDM REF | NUMBER | TERM | TT | EMC/SEP | FT | NOTES | EFFECTIVITY |
| 500 | 24 | PK | D01884 | 37 | | 21-51-11 | D01886 | 38 | | L2 | 1 | | VN968-VN970, VS131-VS132, |
| 501 | 24 | PK | D01884 | 38 | | 21-51-11 | D04978J | 9 | | L2 | 3 | | VK001-VK080, VK131-VK140, VK161-VK190, VL001-VL040, VL751-VL790, VL796-VL805, VL911-VL940, VN001-VN050, VN171-VN190, VN211-VN220, VN231-VN290, VN301-VN340, VN371-VN633, VN681-VN730, VN791-VN810, VN921-VN960, VN966-VN967, VN971-VN990, VR421-VR461, VR461-VR471, VR471, VS051-VS052, VS061-VS061, VS066-VS070, VS073-VS073, VS091-VS094, VS176-VS177, VS196-VS199, VS206-VS207, VS261-VS262, VS266-VS268, |
| 501 | 24 | PK | D01884 | 38 | | 21-51-11 | D04978J | 9 | | L2 | 2 | | VL871-VL880, VN968-VN970, VS131-VS132, |
| 502 | 24 | PK | D01884 | 16 | | 21-51-11 | TB0158F | A025 | 2 | L2 | 4 | | VK001-VK080, VK131-VK140, VK161-VK190, VL001-VL040, VL751-VL790, VL796-VL805, VL911-VL940, VN001-VN050, VN171-VN190, VN211-VN220, VN231-VN290, VN301-VN340, VN371-VN633, VN681-VN730, VN791-VN810, VN921-VN960, VR421-VR421, VR461-VR461, VR471-VR471, VS051-VS052, VS061-VS061, VS066-VS070, VS073-VS073, VS091-VS094, VS176-VS177, VS196-VS199, VS206-VS207, VS261-VS262, VS266-VS268, |
| 502 | 24 | PK | D04978J | 15 | | 21-51-11 | TB0182X | A016 | BJ | L2 | 3 | | VL806-VL810, VN221-VN230, VN634-VN650, VN671-VN675, |
| 502 | 24 | PK | D01884 | 16 | | 21-51-11 | TB0158Y | A010 | BJ | L2 | 3 | | VL871-VL880, |
| 502 | 24 | PK | D04978J | 15 | | 21-51-11 | TB0182X | A016 | BJ | L2 | 3 | | VL891-VL910, |
| 502 | 24 | PK | D01884 | 16 | | 21-51-11 | TB0182X | A016 | BJ | L2 | 3 | | VN966-VN967, VN971-VN990, |
| 502 | 24 | PK | D01884 | 16 | | 21-51-11 | TB0182X | A016 | BJ | L2 | 3 | | VN968-VN970, VS131-VS132, |
| 503 | 24 | PK | TB0158F | C025 | 2 | 21-51-21 | D01886 | 10 | | L2 | 4 | | VK001-VK011, VK021-VK054, |
| 503 | 24 | PK | TB0158F | C025 | 2 | 21-51-21 | D01886 | 4 | | L2 | 4 | | VK012-VK020, VK055-VK080, VK131-VK140, VK161-VK190, VL001-VL040, VL751-VL790, VL796-VL805, VL891-VL940, VN001-VN050, VN171-VN190, VN211-VN220, VN231-VN290, VN301-VN340, VN371-VN650, VN681-VN730, VN791-VN810, VN921-VN960, VR421-VR421, VR461-VR461, VR471-VR471, VS051-VS052, VS061-VS061, VS066-VS070, VS073-VS073, VS091-VS094, VS176-VS177, VS196-VS199, VS206-VS207, VS261-VS262, VS266-VS268, |
| 503 | 24 | PK | TB0158F | C025 | 2 | 21-51-21 | D01886 | 4 | | L2 | 3 | | VL806-VL810, |
| 503 | 24 | PK | TB0158Y | C010 | BJ | 21-51-11 | D08068J | 38 | | L2 | 2 | | VL871-VL880, |

 286T1078-300
 Wire Bundle Assembly
 Figure 106 (Sheet 82)

25-71-01



BOEING
COMPONENT
MAINTENANCE MANUAL

| WIRE | | | FROM EQUIPMENT | | | TO EQUIPMENT | | | WIRE INFO | | | | |
|--------|----|-----|----------------|------|----|--------------|---------|------|-----------|---------|----|-------|---|
| NUMBER | GA | TYP | NUMBER | TERM | TT | WDM REF | NUMBER | TERM | TT | EMC/SEP | FT | NOTES | EFFECTIVITY |
| 503 | 24 | PK | TB0182X | B016 | BJ | 21-51-21 | D01886 | 4 | | L2 | 4 | | VN221-VN230, VN671-VN675, VN966-VN967, VN971-VN990, VN968-VN970, VS131-VS132, VK001-VK011, VK021-VK030, VK012-VK020, VK181-VK190, VL751-VL790, VL911-VL930, VN421-VN470, VN951-VN960, VR461-VR461, VS051-VS052, VS073-VS073, VS176-VS177, VS261-VS262, VS266-VS268, |
| 504 | 24 | PK | TB0182X | C015 | BJ | 21-51-21 | D01886 | 4 | | L2 | 3 | | VN221-VN230, VN671-VN675, VN966-VN967, VN971-VN990, VN968-VN970, VS131-VS132, VK001-VK011, VK021-VK030, VK012-VK020, VK181-VK190, VL751-VL790, VL911-VL930, VN421-VN470, VN951-VN960, VR461-VR461, VS051-VS052, VS073-VS073, VS176-VS177, VS261-VS262, VS266-VS268, |
| 504 | 24 | PV | D02160 | 42 | | 73-21-11 | TB0248Z | 7 | BJ | L2 | 4 | | VN221-VN230, VN671-VN675, VN966-VN967, VN971-VN990, VN968-VN970, VS131-VS132, VK001-VK011, VK021-VK030, VK012-VK020, VK181-VK190, VL751-VL790, VL911-VL930, VN421-VN470, VN951-VN960, VR461-VR461, VS051-VS052, VS073-VS073, VS176-VS177, VS261-VS262, VS266-VS268, |
| 504 | 18 | PA | D08030J | 16 | DL | 73-21-11 | D08030J | 47 | DL | L2 | 3 | | VN221-VN230, VN671-VN675, VN966-VN967, VN971-VN990, VN968-VN970, VS131-VS132, VK001-VK011, VK021-VK030, VK012-VK020, VK181-VK190, VL751-VL790, VL911-VL930, VN421-VN470, VN951-VN960, VR461-VR461, VS051-VS052, VS073-VS073, VS176-VS177, VS261-VS262, VS266-VS268, |
| 504 | 22 | PA | D08030J | 16 | | 73-21-11 | D08030J | 47 | | L2 | 3 | | VN221-VN230, VN671-VN675, VN966-VN967, VN971-VN990, VN968-VN970, VS131-VS132, VK001-VK011, VK021-VK030, VK012-VK020, VK181-VK190, VL751-VL790, VL911-VL930, VN421-VN470, VN951-VN960, VR461-VR461, VS051-VS052, VS073-VS073, VS176-VS177, VS261-VS262, VS266-VS268, |
| 504 | 18 | PA | D08030J | 16 | DL | 73-21-11 | D08030J | 47 | DL | L2 | 2 | | VN221-VN230, VN671-VN675, VN966-VN967, VN971-VN990, VN968-VN970, VS131-VS132, VK001-VK011, VK021-VK030, VK012-VK020, VK181-VK190, VL751-VL790, VL911-VL930, VN421-VN470, VN951-VN960, VR461-VR461, VS051-VS052, VS073-VS073, VS176-VS177, VS261-VS262, VS266-VS268, |
| 504 | 22 | PA | D08030J | 16 | | 73-21-11 | D08030J | 47 | | L2 | 2 | | VN221-VN230, VN671-VN675, VN966-VN967, VN971-VN990, VN968-VN970, VS131-VS132, VK001-VK011, VK021-VK030, VK012-VK020, VK181-VK190, VL751-VL790, VL911-VL930, VN421-VN470, VN951-VN960, VR461-VR461, VS051-VS052, VS073-VS073, VS176-VS177, VS261-VS262, VS266-VS268, |
| 504Z | 24 | PK | D02160 | 11 | | 73-21-11 | TB0248Z | 8 | BJ | L2 | 4 | | VN221-VN230, VN671-VN675, VN966-VN967, VN971-VN990, VN968-VN970, VS131-VS132, VK001-VK011, VK021-VK030, VK012-VK020, VK181-VK190, VL751-VL790, VL911-VL930, VN421-VN470, VN951-VN960, VR461-VR461, VS051-VS052, VS073-VS073, VS176-VS177, VS261-VS262, VS266-VS268, |
| 505 | 24 | PK | D02160 | 11 | | 73-21-15 | TB0158G | 26 | 2 | L2 | 4 | | VN221-VN230, VN671-VN675, VN966-VN967, VN971-VN990, VN968-VN970, VS131-VS132, VK001-VK011, VK021-VK030, VK012-VK020, VK181-VK190, VL751-VL790, VL911-VL930, VN421-VN470, VN951-VN960, VR461-VR461, VS051-VS052, VS073-VS073, VS176-VS177, VS261-VS262, VS266-VS268, |
| 505 | 24 | PK | D02160 | 11 | | 73-21-15 | TB0158F | A026 | 2 | L2 | 4 | | VN221-VN230, VN671-VN675, VN966-VN967, VN971-VN990, VN968-VN970, VS131-VS132, VK001-VK011, VK021-VK030, VK012-VK020, VK181-VK190, VL751-VL790, VL911-VL930, VN421-VN470, VN951-VN960, VR461-VR461, VS051-VS052, VS073-VS073, VS176-VS177, VS261-VS262, VS266-VS268, |
| 505 | 24 | PK | D02160 | 33 | | 73-21-15 | TB0158G | 26 | 2 | L2 | 4 | | VN221-VN230, VN671-VN675, VN966-VN967, VN971-VN990, VN968-VN970, VS131-VS132, VK001-VK011, VK021-VK030, VK012-VK020, VK181-VK190, VL751-VL790, VL911-VL930, VN421-VN470, VN951-VN960, VR461-VR461, VS051-VS052, VS073-VS073, VS176-VS177, VS261-VS262, VS266-VS268, |
| 505 | 24 | PK | D02160 | 33 | | 73-21-15 | TB0158G | 26 | 2 | L2 | 4 | | VN221-VN230, VN671-VN675, VN966-VN967, VN971-VN990, VN968-VN970, VS131-VS132, VK001-VK011, VK021-VK030, VK012-VK020, VK181-VK190, VL751-VL790, VL911-VL930, VN421-VN470, VN951-VN960, VR461-VR461, VS051-VS052, VS073-VS073, VS176-VS177, VS261-VS262, VS266-VS268, |
| 505 | 24 | PK | D02160 | 33 | | 73-21-15 | TB0158Y | A006 | BJ | L2 | 5 | | VN221-VN230, VN671-VN675, VN966-VN967, VN971-VN990, VN968-VN970, VS131-VS132, VK001-VK011, VK021-VK030, VK012-VK020, VK181-VK190, VL751-VL790, VL911-VL930, VN421-VN470, VN951-VN960, VR461-VR461, VS051-VS052, VS073-VS073, VS176-VS177, VS261-VS262, VS266-VS268, |
| 505 | 24 | PK | D02160 | 33 | | 73-21-15 | TB0158G | 26 | 2 | L2 | 5 | | VN221-VN230, VN671-VN675, VN966-VN967, VN971-VN990, VN968-VN970, VS131-VS132, VK001-VK011, VK021-VK030, VK012-VK020, VK181-VK190, VL751-VL790, VL911-VL930, VN421-VN470, VN951-VN960, VR461-VR461, VS051-VS052, VS073-VS073, VS176-VS177, VS261-VS262, VS266-VS268, |
| 505 | 24 | PK | D02160 | 11 | | 73-21-15 | TB0158F | A026 | 2 | L2 | 3 | | VN221-VN230, VN671-VN675, VN966-VN967, VN971-VN990, VN968-VN970, VS131-VS132, VK001-VK011, VK021-VK030, VK012-VK020, VK181-VK190, VL751-VL790, VL911-VL930, VN421-VN470, VN951-VN960, VR461-VR461, VS051-VS052, VS073-VS073, VS176-VS177, VS261-VS262, VS266-VS268, |

286T1078-300
Wire Bundle Assembly
Figure 106 (Sheet 83)

25-71-01

| WIRE | | FROM EQUIPMENT | | | TO EQUIPMENT | | | WIRE INFO | | |
|--------|--------|----------------|---------|----------|--------------|---------|---------|-----------|-------|--|
| NUMBER | GA TYP | NUMBER | TERM TT | WDM REF | NUMBER | TERM TT | EMC/SEP | FT | NOTES | EFFECTIVITY |
| 506 | 24 PK | TB0158G | 26 | 34-61-13 | D05209J | 11 | L2 | 3 | | VK001-VK011, VK021-VK030, VK055-VK080, VK161-VK180, VL011-VL040, VL796-VL805, VL931-VL940, VNL71-VN190, VN211-VN220, VN241-VN290, VN371-VN420, VNS31-VNS45, VNS51-VNS63, VN681-VN730, VN931-VN950, VN966-VN967, VN971-VN990, VR421-VR421, VR471-VR471, VS061-VS061, VS066-VS070, VS206-VS207, |
| 506 | 24 PK | D02160 | 12 | 34-61-13 | D05209J | 11 | L2 | 3 | | VK012-VK020, VK031-VK054, VK131-VK140, VK181-VK190, VL001-VL010, VL751-VL790, VL891-VL930, VN001-VN050, VN231-VN240, VN301-VN340, VN421-VN490, VNS46-VNS50, VN634-VN650, VN791-VN810, VN921-VN930, VN951-VN960, VR461-VR461, VS051-VS052, VS176-VS177, VS196-VS199, VS261-VS262, |
| 506 | 24 PK | TB0158G | 26 | 34-61-13 | D05209J | 11 | L2 | 2 | | VL806-VL810, VL871-VL880, |
| 506 | 24 PK | TB0158Y A014 | BJ | 34-61-13 | D05209J | 11 | L2 | 3 | | VN221-VN222, |
| 506 | 24 PK | TB0158Y A006 | BJ | 34-61-13 | D05209J | 11 | L2 | 4 | | VN223-VN230, |
| 506 | 24 PK | TB0158G | 26 | 34-61-13 | D05209J | 11 | L2 | 4 | | VN491-VNS30, VS091-VS094, |
| 506 | 24 PK | TB0158Y A006 | BJ | 34-61-13 | D05209J | 11 | L2 | 3 | | VN671-VN675, |
| 506 | 24 PK | D02160 | 12 | 34-61-13 | D05209J | 11 | L2 | 2 | | VN968-VN970, VS131-VS132, |
| 506 | 24 PK | D02160 | 12 | 34-61-13 | D05209J | 11 | L2 | 3 | | VS073-VS073, VS266-VS268, |
| 507R | 22 PH | D04978J | 42 | 26-18-12 | D01886 | 36 | L2 | 3 | | VK012-VK020, VK131-VK140, VK161-VK170, VK181-VK190, VL001-VL040, VL751-VL790, VL796-VL805, VL891-VL930, VN001-VN050, VNL71-VN190, VN211-VN220, VN231-VN290, VN301-VN340, VN371-VN490, VNS31-VNS45, VN791-VN810, VN921-VN930, VN951-VN960, VR461-VR461, VS051-VS052, VS061-VS061, VS066-VS070, VS073-VS073, VS176-VS177, VS196-VS199, VS261-VS262, VS266-VS268, |
| 507R | 22 PH | D04978J | 42 | 26-18-12 | D01886 | 36 | L2 | 4 | | VK055-VK080, VK171-VK180, VL931-VL940, VN221-VN230, VN491-VN530, VN671-VN675, VN681-VN730, VN931-VN950, VN966-VN967, VN971-VN990, VR421-VR421, VR471-VR471, VS091-VS094, VS206-VS207, |
| 507R | 22 PH | D04978J | 42 | 26-18-12 | D01886 | 36 | L2 | 2 | | VL806-VL810, VN968-VN970, VS131-VS132, |

286T1078-300
Wire Bundle Assembly
Figure 106 (Sheet 84)

25-71-01



BOEING
COMPONENT
MAINTENANCE MANUAL

| WIRE | | | FROM EQUIPMENT | | | TO EQUIPMENT | | | WIRE INFO | | |
|--------|--------|----------|----------------|---------|----------|--------------|---------|---------|-----------|-------|--|
| NUMBER | GA TYP | WDM REF | NUMBER | TERM TT | WDM REF | NUMBER | TERM TT | EMC/SEP | FT | NOTES | EFFECTIVITY |
| 508R | 22 PH | 26-18-12 | D04978J | 43 | 26-18-12 | D01886 | 57 | L2 | 3 | | VK012-VK020, VK131-VK140, VK161-VK170, VK181-VK190, VL001-VL040, VL751-VL790, VL796-VL805, VL891-VL930, VN001-VN050, VNL171-VNL190, VN211-VN220, VN231-VN290, VN301-VN340, VN371-VN490, VN531-VN650, VN791-VN810, VN921-VN930, VN951-VN960, VR461-VR461, VS051-VS052, VS061-VS061, VS066-VS070, VS073-VS073, VS176-VS177, VS196-VS199, VS261-VS262, VS266-VS268, |
| 508R | 22 PH | 26-18-12 | D04978J | 43 | 26-18-12 | D01886 | 57 | L2 | 4 | | VK055-VK080, VK171-VK180, VL931-VL940, VN221-VN230, VN491-VN530, VN671-VN675, VN681-VN730, VN931-VN950, VN966-VN967, VN971-VN990, VR421-VR421, VR471-VR471, VS091-VS094, VS206-VS207, |
| 508R | 22 PH | 26-18-12 | D04978J | 43 | 26-18-12 | D01886 | 57 | L2 | 2 | | VL806-VL810, VN968-VN970, VS131-VS132, |
| 509 | 24 PK | 21-24-11 | D08068J | 39 | 21-24-11 | TB0182X | A018 | L2 | 3 | | VK031-VK054, VN546-VN550, |
| 509 | 24 PK | 21-24-11 | D08068J | 39 | 21-24-11 | TB0182X | A015 | L2 | 3 | | VK055-VK080, VN251-VN290, VN491-VN545, VN551-VN630, VR471-VR471, VS066-VS070, VS091-VS094, |
| 509 | 24 PK | 21-24-11 | D08068J | 39 | 21-24-11 | TB0182X | A016 | L2 | 3 | | VS073-VS073, VS266-VS268, |
| 510 | 24 PK | 21-24-11 | D08068J | 43 | 21-24-11 | TB0182X | D018 | L2 | 3 | | VK031-VK054, VN546-VN550, |
| 510 | 24 PK | 21-24-11 | D08068J | 43 | 21-24-11 | TB0182X | D015 | L2 | 3 | | VK055-VK080, VN251-VN290, VN491-VN545, VN551-VN630, VR471-VR471, VS066-VS070, VS091-VS094, |
| 510 | 22 PQ | 73-21-11 | D08030J | 7 | 73-21-11 | TB0248Y | C007 | L2 | 3 | | VN421-VN470, VS176-VS177, |
| 510 | 22 PQ | 73-21-11 | D08030J | 7 | 73-21-11 | TB0248Y | C007 | L2 | 2 | | VN968-VN970, VS131-VS132, |
| 510 | 24 PK | 21-24-11 | D08068J | 43 | 21-24-11 | TB0182X | C014 | L2 | 3 | | VS073-VS073, VS266-VS268, |
| 510Z | 24 PK | 73-21-11 | D08030J | 39 | 73-21-11 | TB0248Y | C008 | L2 | 3 | | VN421-VN470, VN968-VN970, VS131-VS132, VS176-VS177, |
| 511 | 22 PQ | 73-21-11 | D04978J | 45 | 73-21-11 | TB0248Y | C007 | L2 | 3 | | VK012-VK020, VK181-VK190, VN546-VN550, VR461-VR461, VS073-VS073, VS266-VS268, |
| 511 | 22 PQ | 73-21-11 | D04978J | 45 | 73-21-11 | TB0248Y | C007 | L2 | 4 | | VK131-VK140, VL751-VL790, VL911-VL930, VN231-VN240, VN421-VN490, VN634-VN650, VN791-VN810, VN921-VN930, VN951-VN960, VS051-VS052, VS176-VS177, VS261-VS262, |
| 511 | 22 PQ | 73-21-11 | D04978J | 45 | 73-21-11 | TB0248Y | C007 | L2 | 3 | | VL891-VL910, |
| 511 | 22 PQ | 73-21-11 | D04978J | 45 | 73-21-11 | TB0248Y | C007 | L2 | 2 | | VN968-VN970, VS131-VS132, |

286T1078-300
Wire Bundle Assembly
Figure 106 (Sheet 85)

25-71-01



COMPONENT
MAINTENANCE MANUAL

| WIRE | | | FROM EQUIPMENT | | | | TO EQUIPMENT | | | | WIRE INFO | | | |
|--------|----|-----|----------------|------|----|----------|--------------|------|----|---------|-----------|-------|---|--|
| NUMBER | GA | TYP | NUMBER | TERM | TT | WDM REF | NUMBER | TERM | TT | EMC/SEP | FT | NOTES | EFFECTIVITY | |
| 511Z | | | D04978J | 46 | | 73-21-11 | TB0248Y | C008 | BJ | L2 | | | VK012-VK020, VK131-VK140, VK181-VK190, VL751-VL790, VL911-VL930, VN231-VN240, VN421-VN490, VN546-VN550, VN634-VN650, VN791-VN810, VN921-VN930, VN951-VN960, VN968-VN970, VR461-VR461, VS051-VS052, VS073-VS073, VS131-VS132, VS176-VS177, VS261-VS262, VS266-VS268, | |
| 511Z | | | D04978J | 46 | | 73-21-11 | TB0248Y | C008 | BJ | L2 | | | VL891-VL910, | |
| 512 | 24 | PK | D08068J | 53 | | 21-24-11 | TB0182X | C018 | BJ | L2 | 3 | | VK031-VK054, VN546-VN550, | |
| 512 | 24 | PK | D08068J | 53 | | 21-24-11 | TB0182X | C015 | BJ | L2 | 3 | | VK055-VK080, VN251-VN290, VN491-VN545, VN551-VN630, VR471-VR471, VS066-VS070, VS073-VS073, VS091-VS094, VS266-VS268, | |
| 512 | 22 | PQ | D08030J | 53 | | 73-21-11 | TB0248Y | C007 | BJ | L2 | 3 | | VN421-VN470, VS176-VS177, | |
| 512 | 22 | PQ | D08030J | 53 | | 73-21-11 | TB0248Y | C007 | BJ | L2 | 2 | | VN968-VN970, VS131-VS132, | |
| 512Z | | | D08030J | 52 | | 73-21-11 | TB0248Y | C008 | BJ | L2 | | | VN421-VN470, VN968-VN970, VS131-VS132, VS176-VS177, | |
| 513 | 22 | PA | D08068J | 54 | | 21-24-11 | TB0182X | B018 | BJ | L2 | 3 | | VK031-VK054, VN546-VN550, | |
| 513 | 22 | PA | D08068J | 54 | | 21-24-11 | TB0182X | B015 | BJ | L2 | 3 | | VK055-VK080, VN251-VN290, VN491-VN545, VN551-VN630, VR471-VR471, VS066-VS070, VS073-VS073, VS091-VS094, VS266-VS268, | |
| 514 | 24 | PK | D08068J | 37 | | 21-24-11 | TB0248Y | A013 | BJ | L2 | 3 | | VK031-VK054, VN546-VN550, | |
| 514 | 24 | PK | D08068J | 37 | | 21-24-11 | TB0248Y | C004 | BJ | L2 | 3 | | VK055-VK080, VN331-VN545, VN551-VN630, VR471-VR471, | |
| 514 | 24 | PK | D08068J | 37 | | 21-24-11 | TB0248Y | A010 | BJ | L2 | 3 | | VN251-VN290, VS066-VS070, VS073-VS073, VS266-VS268, | |
| 514 | 24 | PK | D08068J | 37 | | 21-24-11 | TB0248Y | A015 | BJ | L2 | 3 | | VN491-VN530, VS091-VS094, | |
| 515 | 24 | PK | D08068J | 38 | | 21-24-11 | TB0248Y | A013 | BJ | L2 | 3 | | VK031-VK054, VN546-VN550, | |
| 515 | 24 | PK | D08068J | 38 | | 21-24-11 | TB0248Y | C004 | BJ | L2 | 3 | | VN251-VN290, VN531-VN545, VN551-VN630, VR471-VR471, | |
| 515 | 24 | PK | D08068J | 38 | | 21-24-11 | TB0248Y | A010 | BJ | L2 | 3 | | VN251-VN290, VS066-VS070, VS073-VS073, VS266-VS268, | |
| 515 | 24 | PK | D08068J | 38 | | 21-24-11 | TB0248Y | A015 | BJ | L2 | 3 | | VN491-VN530, VS091-VS094, | |
| 516 | 22 | PQ | D08030J | 7 | | 73-21-11 | TB0248Y | C007 | BJ | L2 | 3 | | VK012-VK020, VK131-VK140, VK181-VK190, VL751-VL790, VL891-VL930, VN231-VN240, VN471-VN490, VN546-VN550, VN634-VN650, VN791-VN810, VN921-VN930, VN951-VN960, VR461-VR461, VS051-VS052, VS073-VS073, VS261-VS262, VS266-VS268, | |

286T1078-300
Wire Bundle Assembly
Figure 106 (Sheet 86)

25-71-01



COMPONENT
MAINTENANCE MANUAL

| WIRE | | FROM EQUIPMENT | | | TO EQUIPMENT | | | WIRE INFO | | |
|--------|--------|----------------|---------|----------|--------------|---------|----------|-----------|-------|--|
| NUMBER | GA TYP | NUMBER | TERM TT | WDM REF | NUMBER | TERM TT | EMC/ SEP | FT | NOTES | EFFECTIVITY |
| 516Z | | D08030J | 39 | 73-21-11 | TB0248Y | C008 BJ | L2 | | | VK012-VK020, VK131-VK140, VK181-VK190, VL751-VL790, VL891-VL930, VN231-VN240, VN471-VN490, VN546-VN550, VN634-VN650, VN791-VN810, VN921-VN930, VN951-VN960, VR461-VR461, VS051-VS052, VS073-VS073, VS261-VS262, VS266-VS268, |
| 517 | 24 PK | TB0248X | A002 BJ | 21-58-11 | D04978J | 13 | L2 | 3 | | VK001-VK080, VK171-VK190, VL001-VL001, VL011-VL040, VL796-VL805, VL891-VL910, VL931-VL940, VN001-VN050, VN171-VN190, VN221-VN230, VN241-VN290, VN371-VN470, VN546-VN550, VN631-VN650, VN671-VN675, VN681-VN730, VN931-VN950, VN966-VN967, VN971-VN990, VR421-VR421, VR461-VR461, VR471-VR471, VS061-VS061, VS066-VS070, VS073-VS073, VS176-VS177, VS196-VS199, VS206-VS207, VS266-VS268, |
| 517 | 24 PK | TB0248Y | A013 BJ | 21-58-11 | D04978J | 13 | L2 | 3 | | VK131-VK140, VL002-VL010, |
| 517 | 24 PK | TB0248X | A002 BJ | 21-58-11 | D04978J | 13 | L2 | 4 | | VK161-VK170, VL751-VL790, VL911-VL930, VN231-VN240, VN301-VN340, VN471-VN490, VN791-VN810, VN921-VN930, VN951-VN960, VS051-VS052, VS261-VS262, |
| 517 | 24 PK | TB0248X | A002 BJ | 21-58-11 | D04978J | 13 | L2 | 2 | | VL806-VL810, VL871-VL880, VN968-VN970, VS131-VS132, |
| 517 | 24 PK | TB0248Y | A010 BJ | 21-58-11 | D04978J | 13 | L2 | 4 | | VN211-VN220, |
| 517 | 24 PK | TB0248Y | C015 BJ | 21-58-11 | D04978J | 13 | L2 | 4 | | VN491-VN530, |
| 517 | 24 PK | TB0248Y | A010 BJ | 21-58-11 | D04978J | 13 | L2 | 3 | | VN531-VN545, VN551-VN630, |
| 517 | 24 PK | TB0248X | A2 BJ | 21-58-11 | D04978J | 13 | L2 | 4 | | VS091-VS094, |
| 518 | 24 PK | D01884 | 30 | 21-53-12 | TB0182X | B012 BJ | L2 | 4 | | VK001-VK080, VK131-VK140, VK161-VK190, VL001-VL040, VL751-VL790, VL796-VL805, VL911-VL940, VN001-VN050, VN171-VN190, VN211-VN220, VN231-VN290, VN301-VN340, VN371-VN490, VN531-VN633, VN681-VN730, VN791-VN810, VN921-VN960, VN966-VN967, VN971-VN990, VR421-VR421, VR461-VR461, VR471-VR471, VS051-VS052, VS061-VS061, VS066-VS070, VS073-VS073, VS176-VS177, VS196-VS199, VS206-VS207, VS261-VS262, VS266-VS268, |
| 518 | 24 PK | D04978J | 33 | 21-51-11 | TB0182X | B012 BJ | L2 | 3 | | VL806-VL810, VN221-VN230, VN671-VN675, |
| 518 | 24 PK | D01884 | 30 | 21-53-12 | TB0182X | B012 BJ | L2 | 3 | | VL871-VL880, VN968-VN970, VS131-VS132, |
| 518 | 24 PK | D04978J | 33 | 21-51-11 | TB0182X | B012 BJ | L2 | 3 | | VL891-VL910, |
| 518 | 24 PK | D01884 | 30 | 21-53-12 | TB0182X | B012 BJ | L2 | 3 | | VN491-VN530, VS091-VS094, |

286T1078-300
Wire Bundle Assembly
Figure 106 (Sheet 87)

25-71-01

| WIRE | | FROM EQUIPMENT | | | TO EQUIPMENT | | | WIRE INFO | | |
|--------|--------|----------------|---------|----------|--------------|---------|---------|-----------|-------|--|
| NUMBER | GA TYP | NUMBER | TERM TT | WDM REF | NUMBER | TERM TT | EMC/SEP | FT | NOTES | EFFECTIVITY |
| 518 | 24 PK | D04978J | 33 | 21-51-11 | TB0182X | B012 BJ | L2 | 4 | | VN634-VN650, |
| 519 | 22 PQ | D08030J | 53 | 73-21-11 | TB0248Y | C007 BJ | L2 | 3 | | VK012-VK020, VK131-VK140, VK181-VK190, VL751-VL790, VL891-VL930, VN231-VN240, VN471-VN490, VN546-VN550, VN634-VN650, VN791-VN810, VN921-VN930, VN951-VN960, VR461-VR461, VS051-VS052, VS073-VS073, VS261-VS262, VS266-VS268, |
| 519Z | | D08030J | 52 | 73-21-11 | TB0248Y | C008 BJ | L2 | | | VK012-VK020, VK131-VK140, VK181-VK190, VL751-VL790, VL891-VL930, VN231-VN240, VN471-VN490, VN546-VN550, VN634-VN650, VN791-VN810, VN921-VN930, VN951-VN960, VR461-VR461, VS051-VS052, VS073-VS073, VS261-VS262, VS266-VS268, |
| 520 | 24 PK | TB0248D | C017 | 27-58-21 | TB0248D | C018 | L2 | 2 | | VK001-VK080, VK131-VK140, VK161-VK190, VL001-VL040, VL751-VL790, VL796-VL805, VL891-VL940, VN001-VN050, VN171-VN190, VN211-VN290, VN301-VN340, VN371-VN650, VN671-VN675, VN681-VN730, VN791-VN810, VN921-VN960, VN966-VN967, VN971-VN990, VR421-VR421, VR461-VR461, VR471-VR471, VS051-VS052, VS061-VS061, VS066-VS070, VS073-VS073, VS091-VS094, VS176-VS177, VS196-VS199, VS206-VS207, VS261-VS262, VS266-VS268, |
| 520 | 24 PK | TB0248D | C017 | 27-58-21 | TB0248D | C018 | L2 | 2 | | VL806-VL810, VN968-VN970, VS131-VS132, |
| 521 | 24 PK | TB0248D | A017 | 27-58-21 | TB0248D | C018 | L2 | 2 | | VL871-VL880, |
| 521 | 24 PK | TB0248D | A017 | 34-46-12 | D05277J | 28 | L2 | 3 | | VK001-VK080, VK131-VK140, VK161-VK190, VL001-VL040, VL751-VL790, VL796-VL805, VL891-VL940, VN001-VN050, VN171-VN190, VN211-VN290, VN301-VN340, VN371-VN650, VN671-VN675, VN681-VN730, VN791-VN810, VN921-VN960, VN966-VN967, VN971-VN990, VR421-VR421, VR461-VR461, VR471-VR471, VS051-VS052, VS061-VS061, VS066-VS070, VS073-VS073, VS091-VS094, VS176-VS177, VS196-VS199, VS206-VS207, VS261-VS262, VS266-VS268, |
| 521 | 24 PK | TB0248D | A017 | 34-46-12 | D05277J | 28 | L2 | 2 | | VL806-VL810, VL871-VL880, VN968-VN970, VS131-VS132, |
| 522 | 24 PK | D08030J | 3 | 73-21-11 | TB0182Y | C010 BJ | L2 | 3 | | VK001-VK011, VK021-VK030, |

 286T1078-300
 Wire Bundle Assembly
 Figure 106 (Sheet 88)

25-71-01

 TESTING & FAULT ISOLATION
 01 Page 122F
 Nov 01/02



BOEING
COMPONENT
MAINTENANCE MANUAL

| WIRE | | FROM EQUIPMENT | | | TO EQUIPMENT | | WIRE INFO | | | | | | | |
|--------|----|----------------|---------|------|--------------|----------|-----------|---------|------|----|-------------|----|--------|---|
| NUMBER | GA | TYP | NUMBER | TERM | TT | WDM | REF | NUMBER | TERM | TT | EMC/ SEP | FT | NOTES | EFFECTIVITY |
| 522 | 24 | PV | D08030J | 50 | | 73-21-11 | | TB0182Y | A006 | BJ | L2 | 3 | | VK012-VK020, VK131-VK140, VK181-VK190, VL751-VL790, VL891-VL930, VN231-VN240, VN421-VN490, VN546-VN550, VN634-VN650, VN791-VN810, VN921-VN930, VN951-VN960, VR461-VR461, VS051-VS052, VS073-VS073, VS176-VS177, VS261-VS262, VS266-VS268, |
| 522 | 24 | PK | D08030J | 50 | | 73-21-11 | | TB0182X | B027 | BJ | L2 | 3 | | VK031-VK054, |
| 522 | 24 | PK | D08030J | 50 | | 73-21-11 | | D08030J | 27 | | L2 | 3 | MLA-T2 | VL001-VL006, |
| 522 | 24 | PK | D08030J | 50 | | 73-21-11 | | D08030J | 27 | W | L2 | 2 | | VL007-VL010, VN016-VN050, VN301-VN340, VS196-VS199, |
| 522 | 24 | PK | D08030J | 50 | | 73-21-11 | | SPO3270 | | | L2 | 3 | | VN001-VN015, |
| 522 | 24 | PV | D08030J | 50 | | 73-21-11 | | TB0182Y | A006 | BJ | L2 | 2 | | VN968-VN970, VS131-VS132, |
| 522Z | | | D08030J | 48 | | 73-21-11 | | TB0182Y | C006 | BJ | L2 | 2 | | VK012-VK020, VK131-VK140, VK181-VK190, VL751-VL790, VL891-VL930, VN231-VN240, VN421-VN490, VN546-VN550, VN634-VN650, VN791-VN810, VN921-VN930, VN951-VN960, VN968-VN970, VR461-VR461, VS051-VS052, VS073-VS073, VS131-VS132, VS176-VS177, VS261-VS262, VS266-VS268, |
| 523 | 24 | PK | D08030J | 2 | | 73-21-11 | | TB0182X | B027 | BJ | L2 | 3 | | VK001-VK011, VK021-VK030, |
| 523 | 24 | PV | D08030J | 51 | | 73-21-11 | | TB0248X | B006 | BJ | L2 | 3 | | VK012-VK020, VK131-VK140, VK181-VK190, VL751-VL790, VL891-VL930, VN231-VN240, VN421-VN490, VN546-VN550, VN634-VN650, VN791-VN810, VN921-VN930, VN951-VN960, VR461-VR461, VS051-VS052, VS176-VS177, VS261-VS262, |
| 523 | 24 | PK | D08030J | 51 | | 73-21-11 | | TB0248Y | C003 | BJ | L2 | 3 | | VK031-VK054, VL001-VL010, VN001-VN050, VN301-VN340, VS196-VS199, |
| 523 | 24 | PV | D08030J | 2 | | 73-21-11 | | TB0182X | C027 | BJ | L2 | 3 | | VK055-VK080, VK171-VK180, VL931-VL940, VN221-VN230, VN491-VN530, VN671-VN675, VN681-VN730, VN931-VN950, VN966-VN967, VN971-VN990, VR421-VR421, VR471-VR471, VS091-VS094, VS206-VS207, |
| 523 | 24 | PV | D08030J | 2 | | 73-21-11 | | TB0182X | C027 | BJ | L2 | 2 | | VK161-VK170, VL011-VL040, VL796-VL805, VNI71-VNI90, VN211-VN220, VN241-VN290, VN371-VN420, VN531-VN545, VN551-VN633, VS061-VS061, VS066-VS070, |
| 523 | 24 | PV | D08030J | 2 | | 73-21-11 | | TB0182X | C027 | BJ | L2 | 2 | | VL806-VL810, VL871-VL880, |
| 523 | 24 | PV | D08030J | 51 | | 73-21-11 | | TB0248X | B006 | BJ | L2 | 2 | | VN968-VN970, VS131-VS132, |
| 523 | 24 | PV | D08030J | 51 | | 73-21-11 | | TB0248X | B006 | BJ | L2 | 2 | | VS073-VS073, VS266-VS268, |

286T1078-300
Wire Bundle Assembly
Figure 106 (Sheet 89)

25-71-01

| WIRE | | FROM EQUIPMENT | | | TO EQUIPMENT | | | WIRE INFO | | |
|--------|--------|----------------|---------|----------|--------------|---------|---------|-----------|-------|--|
| NUMBER | GA TYP | NUMBER | TERM TT | WDM REF | NUMBER | TERM TT | EMC/SEP | FT | NOTES | EFFECTIVITY |
| 523Z | | D08030J | 31 | 73-21-11 | TB0248X | C006 BJ | L2 | | | VK012-VK020, VK131-VK140, VK181-VK190, VL751-VL790, VL891-VL930, VN231-VN240, VN421-VN490, VN546-VN550, VN634-VN650, VN791-VN810, VN921-VN930, VN951-VN960, VN968-VN970, VR461-VR461, VS051-VS052, VS073-VS073, VS131-VS132, VS176-VS177, VS261-VS262, VS266-VS268, |
| 523Z | | D08030J | | 73-21-11 | TB0182X | D027 BJ | L2 | | | VK055-VK080, VK161-VK180, VL011-VL040, VL796-VL810, VL871-VL880, VL931-VL940, VN171-VN190, VN211-VN230, VN241-VN290, VN371-VN420, VN491-VN545, VN551-VN633, VN671-VN675, VN681-VN730, VN931-VN950, VN966-VN967, VN971-VN990, VR421-VR421, VR471-VR471, VS061-VS061, VS066-VS066-VS070, VS091-VS094, VS206-VS207, |
| 524 | 24 PK | D04978J | 8 | 21-58-12 | TB0182X | A028 BJ | L2 | 2 | | VK004-VK080, VK131-VK140, VK161-VK190, VL001-VL040, VL751-VL790, VL796-VL805, VL911-VL940, VN001-VN050, VN171-VN190, VN211-VN290, VN301-VN340, VN371-VN650, VN671-VN675, VN681-VN730, VN791-VN810, VN921-VN960, VN966-VN967, VN971-VN990, VR421-VR421, VR461-VR461, VR471-VR471, VS051-VS052, VS061-VS061, VS066-VS070, VS073-VS073, VS091-VS094, VS176-VS177, VS196-VS199, VS206-VS207, VS261-VS262, VS266-VS268, |
| 524 | 24 PK | D04978J | 8 | 21-58-12 | TB0182X | A028 BJ | L2 | 2 | | VL806-VL810, VL871-VL880, VN968-VN970, VS131-VS132, VL891-VL910, |
| 524 | 24 PK | D04978J | 8 | 21-58-12 | TB0182X | A028 BJ | L2 | 2 | | VK004-VK080, VK131-VK140, VK161-VK190, VL001-VL040, VL751-VL790, VL796-VL805, VL911-VL940, VN001-VN050, VN171-VN190, VN211-VN290, VN301-VN340, VN371-VN650, VN671-VN675, VN681-VN730, VN791-VN810, VN921-VN960, VN966-VN967, VN971-VN990, VR421-VR421, VR461-VR461, VR471-VR471, VS051-VS052, VS061-VS061, VS066-VS070, VS073-VS073, VS091-VS094, VS176-VS177, VS196-VS199, VS206-VS207, VS261-VS262, VS266-VS268, |
| 525 | 24 PK | D04978J | 14 | 21-58-12 | TB0182X | B028 BJ | L2 | 2 | | |
| 525 | 24 PK | D04978J | 14 | 21-58-12 | TB0182X | B028 BJ | L2 | 2 | | VL806-VL810, VL871-VL880, VN968-VN970, VS131-VS132, VL891-VL910, |

 286T1078-300
 Wire Bundle Assembly
 Figure 106 (Sheet 90)

25-71-01

 TESTING & FAULT ISOLATION
 01
 Page 122H
 Nov 01/02



BOEING
COMPONENT
MAINTENANCE MANUAL

| WIRE | | | FROM EQUIPMENT | | | TO EQUIPMENT | | | WIRE INFO | | | | |
|--------|----|-----|----------------|------|----|--------------|---------|------|-----------|---------|----|-------|--|
| NUMBER | GA | TYP | NUMBER | TERM | TT | WDM REF | NUMBER | TERM | TT | EMC/SEP | FT | NOTES | EFFECTIVITY |
| 526 | 24 | PK | D04978J | 37 | | 21-58-12 | TB0182X | C028 | BJ | L2 | 2 | | VK004-VK080, VK131-VK140, VK161-VK190, VL001-VL040, VL751-VL790, VL796-VL805, VL911-VL940, VN001-VN050, VN171-VN190, VN211-VN290, VN301-VN340, VN371-VN650, VN671-VN675, VN681-VN730, VN791-VN810, VN921-VN960, VN966-VN967, VN971-VN990, VR421-VR421, VR461-VR461, VR471-VR471, VS051-VS052, VS061-VS061, VS066-VS066, VS073-VS073, VS091-VS094, VS176-VS177, VS196-VS199, VS206-VS207, VS261-VS262, VS266-VS268, |
| 526 | 24 | PK | D04978J | 37 | | 21-58-12 | TB0182X | C028 | BJ | L2 | 2 | | VL806-VL810, VL871-VL880, VN968-VN970, VS131-VS132, VL891-VL910, |
| 526 | 24 | PK | D04978J | 37 | | 21-58-12 | TB0182X | C028 | BJ | L2 | 2 | | VK004-VK080, VK131-VK140, VK161-VK190, VL001-VL040, VL751-VL790, VL796-VL805, VL891-VL930, VN001-VN050, VN171-VN190, VN211-VN220, VN231-VN290, VN301-VN340, VN371-VN490, VN531-VN650, VN791-VN810, VN921-VN930, VN951-VN960, VR421-VR421, VR461-VR461, VR471-VR471, VS051-VS052, VS061-VS061, VS066-VS070, VS073-VS073, VS176-VS177, VS196-VS199, VS261-VS262, VS266-VS268, |
| 527 | 24 | PK | D03742 | 12 | | 21-58-14 | TB0158G | 27 | 2 | L2 | 3 | | VL806-VL810, VL871-VL880, VS091-VS094, |
| 527 | 24 | PK | D03742 | 12 | | 21-58-14 | TB0158Y | A002 | BJ | L2 | 4 | | VL931-VL940, VN223-VN230, VN491-VN530, VN671-VN675, VN681-VN730, VN931-VN950, VN966-VN967, VN971-VN990, VS206-VS207, |
| 527 | 24 | PK | D03742 | 12 | | 21-58-14 | TB0158Y | C014 | BJ | L2 | 4 | | VN221-VN222, |
| 527 | 24 | PK | D03742 | 12 | | 21-58-14 | TB0158Y | A002 | BJ | L2 | 3 | | VN968-VN970, VS131-VS132, |
| 528R | 22 | PH | D04978J | 44 | | 26-18-12 | D01886 | 6 | | L2 | 3 | | VK012-VK020, VK131-VK140, VK161-VK170, VK181-VK190, VL001-VL040, VL751-VL790, VL796-VL805, VL891-VL930, VN001-VN050, VN171-VN190, VN211-VN220, VN231-VN290, VN301-VN340, VN371-VN490, VN531-VN650, VN791-VN810, VN921-VN930, VN951-VN960, VR461-VR461, VS051-VS052, VS061-VS061, VS066-VS070, VS073-VS073, VS176-VS177, VS196-VS199, VS261-VS262, VS266-VS268, |

286T1078-300
Wire Bundle Assembly
Figure 106 (Sheet 91)

25-71-01

TESTING & FAULT ISOLATION
01

Page 1221
Nov 01/02

| WIRE | | FROM EQUIPMENT | | | TO EQUIPMENT | | | WIRE INFO | | |
|--------|--------|----------------|---------|----------|--------------|---------|---------|-----------|-------|--|
| NUMBER | GA TYP | NUMBER | TERM TT | WDM REF | NUMBER | TERM TT | EMC/SEP | FT | NOTES | EFFECTIVITY |
| 528R | 22 PH | D04978J | 44 | 26-18-12 | D01886 | 6 | L2 | 4 | | VK055-VK080, VK171-VK180, VL931-VL940, VN221-VN230, VN491-VN530, VN671-VN675, VN681-VN730, VN931-VN950, VN966-VN967, VN971-VN990, VR421-VR421, VR471-VR471, VS091-VS094, VS206-VS207, VL806-VL810, VN968-VN970, VS131-VS132, VK055-VK080, VK171-VK180, VL931-VL940, VN221-VN230, VN491-VN530, VN671-VN675, VN681-VN730, VN931-VN950, VN966-VN967, VN971-VN990, VR421-VR421, VR471-VR471, VS091-VS094, VS206-VS207, VK131-VK140, VK161-VK170, VL001-VL040, VL751-VL790, VL796-VL810, VL891-VL930, VN001-VN050, VN171-VN190, VN211-VN220, VN231-VN250, VN301-VN340, VN371-VN490, VN531-VN650, VN791-VN810, VN921-VN930, VN951-VN960, VS051-VS052, VS061-VS061, VS176-VS177, VS196-VS199, VS261-VS262, VN968-VN970, VS131-VS132, VK055-VK080, VK131-VK140, VK161-VK180, VL001-VL040, VL751-VL790, VL796-VL810, VL891-VL930, VN001-VN050, VN171-VN190, VN211-VN220, VN231-VN250, VN301-VN340, VN371-VN490, VN531-VN650, VN791-VN810, VN921-VN930, VN951-VN960, VS051-VS052, VS061-VS061, VS176-VS177, VS196-VS199, VS261-VS262, VS199, VS206-VS207, VS261-VS262, VL001-VL040, VN001-VN050, VN301-VN340, VS196-VS199, VK004-VK080, VK131-VK140, VK161-VK190, VL001-VL040, VL751-VL790, VL796-VL805, VL911-VL940, VN001-VN050, VN171-VN190, VN211-VN290, VN301-VN340, VN371-VN650, VN671-VN675, VN681-VN730, VN791-VN810, VN921-VN960, VN966-VN967, VN971-VN990, VR421-VR421, VR461-VR461, VR471-VR471, VS051-VS052, VS061-VS061, VS066-VS070, VS073-VS073, VS091-VS094, VS176-VS177, VS196-VS199, VS206-VS207, VS261-VS262, VS266-VS268, VL806-VL810, VL871-VL880, VN968-VN970, VS131-VS132, VL891-VL910, |
| 528R | 22 PH | D04978J | 44 | 26-18-12 | D01886 | 6 | L2 | 2 | | |
| 529R | 22 PU | D08112J | 21 | 26-18-22 | SP03260 | S | L2 | 4 | | |
| 529R | 22 PU | D08112J | 21 | 26-18-22 | SP03260 | S | L2 | 3 | | |
| 529R | 22 PU | D08112J | 21 | 26-18-22 | SP03260 | S | L2 | 2 | | |
| 529Z | | D08112J | DED | 26-18-22 | SP03260 | DED | L2 | | | |
| 530 | 24 PK | TB0182Y | A003 BJ | 73-21-15 | D08030J | 13 | L2 | 3 | | |
| 532 | 24 PK | D04978J | 48 | 21-58-12 | TB0182X | D028 BJ | L2 | 2 | | |
| 532 | 24 PK | D04978J | 48 | 21-58-12 | TB0182X | D028 BJ | L2 | 2 | | |

 286T1078-300
 Wire Bundle Assembly
 Figure 106 (Sheet 92)

25-71-01



BOEING
COMPONENT
MAINTENANCE MANUAL

| WIRE | | FROM EQUIPMENT | | | TO EQUIPMENT | | | WIRE INFO | | | | | |
|--------|----|----------------|---------|------|--------------|-------------|---------|-----------|----|---------|----|-------|---|
| NUMBER | GA | TYP | NUMBER | TERM | TT | WDM REF | NUMBER | TERM | TT | EMC/SEP | FT | NOTES | EFFECTIVITY |
| 534 | 24 | PV | D08030J | | 2 | 73-21-11 | TB0182Y | A006 | BJ | L2 | 3 | | VK012-VK020, VK131-VK140, VK181-VK190, VL751-VL790, VL891-VL930, VN231-VN240, VN421-VN430, VN546-VN550, VN634-VN650, VN791-VN810, VN921-VN930, VN951-VN960, VR461-VR461, VS051-VS052, VS073-VS073, VS176-VS177, VS261-VS262, VS266-VS268, VN968-VN970, VS131-VS132, VK012-VK020, VK131-VK140, VK181-VK190, VL751-VL790, VL891-VL930, VN231-VN240, VN421-VN430, VN546-VN550, VN634-VN650, VN791-VN810, VN921-VN930, VN951-VN960, VR461-VR461, VS051-VS052, VS073-VS073, VS131-VS132, VS176-VS177, VS261-VS262, VS266-VS268, |
| 534 | 24 | PV | D08030J | | 2 | 73-21-11 | TB0182Y | A006 | BJ | L2 | 2 | | VN968-VN970, VS131-VS132, VK012-VK020, VK131-VK140, VK181-VK190, VL751-VL790, VL891-VL930, VN231-VN240, VN421-VN430, VN546-VN550, VN634-VN650, VN791-VN810, VN921-VN930, VN951-VN960, VR461-VR461, VS051-VS052, VS073-VS073, VS131-VS132, VS176-VS177, VS261-VS262, VS266-VS268, |
| 534Z | | | D08030J | | 4 | 73-21-11 | TB0182Y | C006 | BJ | L2 | | | VN968-VN970, VS131-VS132, VK012-VK020, VK131-VK140, VK181-VK190, VL751-VL790, VL891-VL930, VN231-VN240, VN421-VN430, VN546-VN550, VN634-VN650, VN791-VN810, VN921-VN930, VN951-VN960, VR461-VR461, VS051-VS052, VS073-VS073, VS131-VS132, VS176-VS177, VS261-VS262, VS266-VS268, |
| 535 | 24 | PV | TB0248Z | | 7 | BJ 73-21-17 | D08030J | 7 | BJ | L2 | 3 | | VK055-VK080, VK171-VK180, VL931-VL940, VN221-VN230, VN491-VN530, VN671-VN675, VN681-VN730, VN931-VN950, VN956-VN967, VN971-VN990, VR421-VR421, VR471-VR471, VS091-VS094, VS206-VS207, VK161-VK170, VL011-VL040, VL796-VL805, VN171-VN190, VN211-VN220, VN241-VN290, VN371-VN420, VN531-VN545, VN551-VN633, VS061-VS061, VS066-VS070, VL806-VL810, VL871-VL880, VK055-VK080, VK171-VK180, VL931-VL940, VN221-VN230, VN491-VN530, VN671-VN675, VN681-VN730, VN931-VN950, VN956-VN967, VN971-VN990, VR421-VR421, VR471-VR471, VS091-VS094, VS206-VS207, VK161-VK170, VL011-VL040, VL796-VL805, VN171-VN190, VN211-VN220, VN241-VN290, VN371-VN420, VN531-VN545, VN551-VN633, VS061-VS061, VS066-VS070, |
| 535 | 24 | PV | D08030J | | 7 | BJ 73-21-17 | TB0248Z | 7 | BJ | L2 | 3 | | VK055-VK080, VK171-VK180, VL931-VL940, VN221-VN230, VN491-VN530, VN671-VN675, VN681-VN730, VN931-VN950, VN956-VN967, VN971-VN990, VR421-VR421, VR471-VR471, VS091-VS094, VS206-VS207, VK161-VK170, VL011-VL040, VL796-VL805, VN171-VN190, VN211-VN220, VN241-VN290, VN371-VN420, VN531-VN545, VN551-VN633, VS061-VS061, VS066-VS070, VL806-VL810, VL871-VL880, VK055-VK080, VK171-VK180, VL931-VL940, VN221-VN230, VN491-VN530, VN671-VN675, VN681-VN730, VN931-VN950, VN956-VN967, VN971-VN990, VR421-VR421, VR471-VR471, VS091-VS094, VS206-VS207, VK161-VK170, VL011-VL040, VL796-VL805, VN171-VN190, VN211-VN220, VN241-VN290, VN371-VN420, VN531-VN545, VN551-VN633, VS061-VS061, VS066-VS070, |
| 535Z | | | TB0248Z | | 8 | BJ 73-21-17 | D08030J | 8 | BJ | L2 | 2 | | VK055-VK080, VK171-VK180, VL931-VL940, VN221-VN230, VN491-VN530, VN671-VN675, VN681-VN730, VN931-VN950, VN956-VN967, VN971-VN990, VR421-VR421, VR471-VR471, VS091-VS094, VS206-VS207, VK161-VK170, VL011-VL040, VL796-VL805, VN171-VN190, VN211-VN220, VN241-VN290, VN371-VN420, VN531-VN545, VN551-VN633, VS061-VS061, VS066-VS070, VL806-VL810, VL871-VL880, VK055-VK080, VK171-VK180, VL931-VL940, VN221-VN230, VN491-VN530, VN671-VN675, VN681-VN730, VN931-VN950, VN956-VN967, VN971-VN990, VR421-VR421, VR471-VR471, VS091-VS094, VS206-VS207, VK161-VK170, VL011-VL040, VL796-VL805, VN171-VN190, VN211-VN220, VN241-VN290, VN371-VN420, VN531-VN545, VN551-VN633, VS061-VS061, VS066-VS070, |
| 535Z | | | D08030J | | 8 | BJ 73-21-17 | TB0248Z | 8 | BJ | L2 | 2 | | VK055-VK080, VK171-VK180, VL931-VL940, VN221-VN230, VN491-VN530, VN671-VN675, VN681-VN730, VN931-VN950, VN956-VN967, VN971-VN990, VR421-VR421, VR471-VR471, VS091-VS094, VS206-VS207, VK161-VK170, VL011-VL040, VL796-VL805, VN171-VN190, VN211-VN220, VN241-VN290, VN371-VN420, VN531-VN545, VN551-VN633, VS061-VS061, VS066-VS070, VL806-VL810, VL871-VL880, VK055-VK080, VK171-VK180, VL931-VL940, VN221-VN230, VN491-VN530, VN671-VN675, VN681-VN730, VN931-VN950, VN956-VN967, VN971-VN990, VR421-VR421, VR471-VR471, VS091-VS094, VS206-VS207, VK161-VK170, VL011-VL040, VL796-VL805, VN171-VN190, VN211-VN220, VN241-VN290, VN371-VN420, VN531-VN545, VN551-VN633, VS061-VS061, VS066-VS070, |
| 544J | 24 | PV | TB0248Y | | A013 | BJ 73-21-17 | TB0248Z | 7 | BJ | L2 | 3 | | VK055-VK080, VK171-VK180, VL931-VL940, VN221-VN230, VN491-VN530, VN671-VN675, VN681-VN730, VN931-VN950, VN956-VN967, VN971-VN990, VR421-VR421, VR471-VR471, VS091-VS094, VS206-VS207, VK161-VK170, VL011-VL040, VL796-VL805, VN171-VN190, VN211-VN220, VN241-VN290, VN371-VN420, VN531-VN545, VN551-VN633, VS061-VS061, VS066-VS070, VL806-VL810, VL871-VL880, VK055-VK080, VK171-VK180, VL931-VL940, VN221-VN230, VN491-VN530, VN671-VN675, VN681-VN730, VN931-VN950, VN956-VN967, VN971-VN990, VR421-VR421, VR471-VR471, VS091-VS094, VS206-VS207, VK161-VK170, VL011-VL040, VL796-VL805, VN171-VN190, VN211-VN220, VN241-VN290, VN371-VN420, VN531-VN545, VN551-VN633, VS061-VS061, VS066-VS070, |
| 544J | 24 | PV | TB0248Y | | A013 | BJ 73-21-17 | TB0248Z | 7 | BJ | L2 | 2 | | VK055-VK080, VK171-VK180, VL931-VL940, VN221-VN230, VN491-VN530, VN671-VN675, VN681-VN730, VN931-VN950, VN956-VN967, VN971-VN990, VR421-VR421, VR471-VR471, VS091-VS094, VS206-VS207, VK161-VK170, VL011-VL040, VL796-VL805, VN171-VN190, VN211-VN220, VN241-VN290, VN371-VN420, VN531-VN545, VN551-VN633, VS061-VS061, VS066-VS070, VL806-VL810, VL871-VL880, VK055-VK080, VK171-VK180, VL931-VL940, VN221-VN230, VN491-VN530, VN671-VN675, VN681-VN730, VN931-VN950, VN956-VN967, VN971-VN990, VR421-VR421, VR471-VR471, VS091-VS094, VS206-VS207, VK161-VK170, VL011-VL040, VL796-VL805, VN171-VN190, VN211-VN220, VN241-VN290, VN371-VN420, VN531-VN545, VN551-VN633, VS061-VS061, VS066-VS070, |

286T1078-300
Wire Bundle Assembly
Figure 106 (Sheet 93)

25-71-01

| WIRE | | FROM EQUIPMENT | | | | TO EQUIPMENT | | | | WIRE INFO | | | |
|--------|----|----------------|---------|------|----|--------------|---------|------|----|-----------|----|------------------|---|
| NUMBER | GA | TYP | NUMBER | TERM | TT | WDM REF | NUMBER | TERM | TT | EMC/SEP | FT | NOTES | EFFECTIVITY |
| 544J | 24 | PV | TB0248Y | A013 | BJ | 73-21-17 | TB0248Z | 7 | BJ | L2 | 2 | | VL806-VL810, VL871-VL880, |
| 544J | 24 | PV | TB0248Y | A013 | BJ | 73-21-17 | TB0248Z | 7 | BJ | L2 | 3 | | VN221-VN222, VN491-VN530, VN671-VN675, VS091-VS094, |
| 544J | 24 | PV | TB0248Y | A013 | BJ | 73-21-17 | TB0248Z | 7 | BJ | L2 | 3 | | VN223-VN230, VN966-VN967, VN971-VN990, |
| 544Z | | | TB0248Y | C014 | BJ | 73-21-17 | TB0248Z | 8 | BJ | L2 | | | VK055-VK080, VK161-VK180, VL011-VL040, VL796-VL810, VL871-VL880, VL931-VL940, VN171-VN190, VN211-VN220, VN223-VN230, VN241-VN290, VN371-VN430, VN531-VN545, VN551-VN633, VN681-VN730, VN931-VN950, VN966-VN967, VN971-VN990, VR421-VR421, VR471-VR471, VS061-VS061, VS066-VS070, VS206-VS207, |
| 544Z | | | TB0248Y | | | 73-21-17 | TB0248Z | 8 | BJ | L2 | | | VN221-VN222, VM491-VN530, VS091-VS094, |
| 544Z | | | TB0248Y | C014 | BJ | 73-21-17 | TB0248Z | 8 | BJ | L2 | | | VN671-VN675, |
| 551 | 24 | PK | D08030J | 27 | | 73-21-11 | SF03270 | | W | L2 | 3 | | VN001-VN015, |
| 552 | 20 | PQ | D08030J | 55 | | 73-21-14 | TB0248Y | A007 | BJ | L2 | 3 | | VK012-VK020, VK131-VK140, VK181-VK190, VL751-VL790, VL891-VL930, VN231-VN240, VN421-VN490, VN546-VN550, VN634-VN650, VN791-VN810, VN921-VN930, VN951-VN960, VR461-VR461, VS051-VS052, VS073-VS073, VS176-VS177, VS261-VS262, VS266-VS268, |
| 552 | 20 | PQ | D08030J | 55 | | 73-21-14 | TB0248Y | A007 | BJ | L2 | 2 | | VN968-VN970, VS131-VS132, |
| 552Z | | | D08030J | 54 | | 73-21-14 | TB0248Y | A008 | BJ | L2 | | | VK012-VK020, VK131-VK140, VK181-VK190, VL751-VL790, VL891-VL930, VN231-VN240, VN421-VN490, VN546-VN550, VN634-VN650, VN791-VN810, VN921-VN930, VN951-VN960, VN968-VN970, VR461-VR461, VS051-VS052, VS073-VS073, VS131-VS132, VS176-VS177, VS261-VS262, VS266-VS268, |
| 556 | 24 | PK | D08068J | 22 | | 36-23-11 | D05209J | 22 | | L2 | 1 | | VL871-VL880, |
| 557 | 24 | PK | D08068J | 23 | | 36-23-11 | D05209J | 23 | | L2 | 1 | | VL871-VL880, |
| 558 | 22 | PA | D05209J | 24 | | 34-45-13 | TB0158D | A014 | 2 | L2 | 3 | | VK046-VK050, VK131-VK133, VL012-VL040, VN233-VN234, VN251-VN259, VN301-VN303, VN541-VN541, |
| 558 | 22 | PA | D05209J | 24 | | 34-45-13 | TB0248D | A008 | 2 | L2 | 3 | MLA-F2 | VL001-VL006, |
| 558 | 22 | PA | D05209J | 24 | | 34-45-13 | TB0158D | A028 | 2 | L2 | 3 | MMU-T2 ZSZ-B6 | VN171-VN173, |

286T1078-300
Wire Bundle Assembly
Figure 106 (Sheet 94)

25-71-01



COMPONENT
MAINTENANCE MANUAL

| WIRE | | FROM EQUIPMENT | | | TO EQUIPMENT | | | WIRE INFO | | | | | | |
|--------|----|----------------|---------|------|--------------|----------|-----|-----------|------|----|-------------|----|----------------------------|--|
| NUMBER | GA | TYP | NUMBER | TERM | TT | WDM | REF | NUMBER | TERM | TT | EMC/ SEP | FT | NOTES | EFFECTIVITY |
| 558 | 22 | PA | D05209J | 24 | | 34-45-13 | | TB0158D | A028 | 2 | L2 | 3 | MLA-F2 MNU-T2 ZSZ-B6 | VN231-VN232, |
| 600 | 22 | PA | D02672 | 44 | | 27-41-11 | | D05277J | 15 | | L2 | 3 | | VK001-VK080, VK131-VK140, VK161-VK190, VL001-VL040, VL751-VL790, VL796-VL805, VL891-VL940, VN001-VN050, VN171-VN190, VN211-VN290, VN301-VN340, VN371-VN650, VN671-VN675, VN681-VN730, VN791-VN810, VN921-VN960, VN966-VN967, VN971-VN990, VR421-VR421, VR461-VR461, VR471-VR471, VS051-VS052, VS061-VS061, VS066-VS070, VS073-VS073, VS091-VS094, VS176-VS177, VS196-VS199, VS206-VS207, VS261-VS262, VS266-VS268, |
| 600 | 22 | PA | D02672 | 44 | | 27-41-11 | | D05277J | 15 | | L2 | 2 | | VL806-VL810, VL871-VL880, VN968-VN970, VS131-VS132, |
| 609 | 24 | PV | D08030J | 9 | | 73-21-17 | | TB0248Z | 7 | BJ | L2 | 3 | | VK055-VK080, VK161-VK180, VL011-VL040, VL796-VL805, VL931-VL940, VN171-VN190, VN211-VN230, VN241-VN290, VN371-VN420, VN491-VN545, VN551-VN633, VN671-VN675, VN681-VN730, VN931-VN950, VN966-VN967, VN971-VN990, VR421-VR421, VR471-VR471, VS061-VS061, VS066-VS070, VS091-VS094, VS206-VS207, |
| 609 | 24 | PV | D08030J | 9 | | 73-21-17 | | TB0248Z | 7 | BJ | L2 | 2 | | VL806-VL810, VL871-VL880, |
| 609Z | | | D08030J | | | 73-21-17 | | TB0248Z | 8 | BJ | L2 | | | VK055-VK080, VK161-VK180, VL011-VL040, VL796-VL810, VL931-VL940, VN171-VN190, VN211-VN220, VN223-VN230, VN241-VN290, VN371-VN420, VN491-VN545, VN551-VN633, VN671-VN675, VN681-VN730, VN931-VN950, VN966-VN967, VN971-VN990, VR421-VR421, VR471-VR471, VS061-VS061, VS066-VS070, VS091-VS094, VS206-VS207, |
| 609Z | | | D08030J | 13 | | 73-21-17 | | TB0248Z | 8 | BJ | L2 | | | VL871-VL880, |
| 617 | 24 | PK | D08068J | 42 | | 36-11-51 | | TB0158Z | A006 | BJ | L2 | 2 | | VN221-VN222, |
| 618 | 24 | PK | D08030J | 50 | | 73-21-11 | | TB0248Z | D016 | BJ | L2 | 3 | | VL871-VL880, |
| 618 | 24 | PK | D08030J | 50 | | 73-21-18 | | TB0248Z | D016 | BJ | L2 | 3 | | VK055-VK080, VK162-VK170, VL931-VL940, VN225-VN230, VN261-VN290, VN673-VN675, VN684-VN730, VN931-VN950, VR471-VR471, VS066-VS070, VS206-VS207, |
| 618 | 24 | PK | D08030J | 50 | | 73-21-11 | | TB0248Z | D016 | BJ | L2 | 2 | | VK161-VK161, VN223-VN224, VN251-VN260, VN671-VN672, VN681-VN683, |
| | | | | | | | | | | | | | | VL806-VL810, |

286T1078-300
Wire Bundle Assembly
Figure 106 (Sheet 95)

25-71-01

| WIRE | | FROM EQUIPMENT | | | TO EQUIPMENT | | | WIRE INFO | | |
|--------|--------|----------------|---------|----------|--------------|---------|----------|-----------|-------|--|
| NUMBER | GA TYP | NUMBER | TERM TT | WDM REF | NUMBER | TERM TT | EMC/ SEP | FT | NOTES | EFFECTIVITY |
| 618 | 24 PK | D08030J | 50 | 73-21-18 | TB0248X | D016 | BJ | L2 | 5 | MLA-F2 MNT-T2 VN221-VN222, |
| 619 | 24 PK | SP04012 | | 77-35-11 | D08030J | 45 | | L2 | 5 | MHE-F2 MLA-T2 VK001-VK009, VK021-VK022, |
| 619 | 24 PK | SP04012 | | 77-35-11 | D08030J | 45 | | L2 | 3 | VK010-VK011, VK023-VK030, |
| 620 | 24 PK | TB0248Y | C003 | 77-35-11 | D08030J | 47 | | L2 | 5 | MNU-F2 MLA-T2 VK001-VK009, VK021-VK022, |
| 620 | 24 PK | TB0248Y | C003 | 77-35-11 | D08030J | 47 | | L2 | 3 | VK010-VK011, |
| 620 | 24 PK | TB0248Y | C003 | 77-35-11 | D08030J | 47 | | L2 | 4 | VK023-VK030, |
| 622 | 24 PK | D08030J | 10 | 73-21-18 | TB0182X | A013 | BJ | L2 | 3 | VL751-VL790, VL891-VL910, VNG634-VN650, |
| 622 | 24 PK | D08030J | 10 | 73-21-18 | TB0182X | A011 | BJ | L2 | 3 | VN301-VN340, |
| 623 | 24 PK | D08030J | 9 | 73-21-18 | TB0182Y | A021 | BJ | L2 | 3 | VL751-VL790, VL891-VL910, VNG634-VN650, |
| 623 | 24 PK | D08030J | 9 | 73-21-18 | TB0182Y | A013 | BJ | L2 | 3 | VN301-VN340, |
| 700 | 24 PK | D02672 | 14 | 31-31-21 | D05209J | 18 | | L2 | 4 | VK012-VK020, VK181-VK190, VN221-VN230, VN251-VN290, VN371-VN375, VN491-VN530, VN631-VN633, VN671-VN675, VN791-VN810, VR461-VR461, VS066-VS070, VS073-VS073, VS091-VS094, VS266-VS268, |
| 701 | 24 PK | D08112J | 6 | 36-22-11 | TB0248Y | C009 | BJ | L2 | 3 | VK001-VK080, VK131-VK140, VK161-VK190, VL001-VL040, VL751-VL790, VL796-VL805, VL891-VL940, VN001-VN050, VN171-VN190, VN211-VN290, VN301-VN340, VN371-VN650, VN671-VN675, VN681-VN730, VN791-VN810, VN921-VN960, VN966-VN967, VN971-VN990, VR421-VR421, VR461-VR461, VR471-VR471, VS051-VS052, VS061-VS061, VS066-VS070, VS073-VS073, VS091-VS094, VS176-VS177, VS196-VS199, VS206-VS207, VS261-VS262, VS266-VS268, |
| 701 | 24 PK | D08112J | 6 | 36-22-11 | TB0248Y | C009 | BJ | L2 | 2 | VL806-VL810, VN968-VN970, VS131-VS132, |
| 702 | 22 PA | D08030J | 41 | 36-22-11 | TB0248Y | A010 | BJ | L2 | 3 | VK001-VK054, VK131-VK140, VK181-VK190, VL001-VL010, VL751-VL790, VL891-VL930, VN001-VN050, VN231-VN240, VN301-VN340, VN421-VN490, VN546-VN550, VNG34-VN650, VN791-VN810, VN921-VN930, VN951-VN960, VR461-VR461, VS051-VS052, VS176-VS177, VS196-VS199, VS261-VS262, |
| 702 | 22 PA | D08030J | 41 | 36-22-11 | SM00008 | | W | L2 | 3 | VK055-VK080, VK171-VK180, VR421-VR421, VR471-VR471, |

286T1078-300
Wire Bundle Assembly
Figure 106 (Sheet 96)

25-71-01



COMPONENT
MAINTENANCE MANUAL

| WIRE | | | | FROM EQUIPMENT | | | | TO EQUIPMENT | | | | WIRE INFO | | | |
|--------|----|-----|---------|----------------|------|----|----------|--------------|------|----|-------------|-----------|-------|--|--|
| NUMBER | GA | TYP | WDM REF | NUMBER | TERM | TT | WDM REF | NUMBER | TERM | TT | EMC/ SEP | FT | NOTES | EFFECTIVITY | |
| 702 | 22 | PA | | D08030J | 41 | | 36-22-11 | SM00008 | | W | L2 | 2 | | VK161-VK170, VL011-VL040, VL796-VL810, VL931-VL940, VN171-VN190, VN211-VN230, VN241-VN290, VN371-VN420, VN491-VN545, VN551-VN633, VN671-VN675, VN681-VN730, VN931-VN950, VN966-VN967, VN971-VN990, VS061-VS061, VS066-VS070, VS073-VS073, VS091-VS094, VS206-VS207, VS266-VS268, | |
| 702 | 22 | PA | | D08030J | 41 | | 36-22-11 | TB0248Y | A010 | BJ | L2 | 2 | | VN968-VN970, VS131-VS132, | |
| 703 | 24 | PK | | D08112J | 9 | | 36-22-11 | TB0248Y | A010 | BJ | L2 | 3 | | VK001-VK054, VK131-VK140, VK181-VK190, VL001-VL010, VL751-VL790, VL891-VL930, VN001-VN050, VN231-VN240, VN301-VN340, VN421-VN490, VN546-VN550, VN634-VN650, VN791-VN810, VN921-VN930, VN951-VN960, VR461-VR461, VS051-VS052, VS176-VS177, VS196-VS199, VS261-VS262, | |
| 703 | 24 | PK | | D08112J | 9 | | 36-22-11 | SM00008 | | W | L2 | 3 | | VK055-VK080, VK171-VK180, VR421-VR421, VR471-VR471, | |
| 703 | 24 | PK | | D08112J | 9 | | 36-22-11 | SM00008 | | W | L2 | 2 | | VK161-VK170, VL011-VL040, VL796-VL810, VL931-VL940, VN171-VN190, VN211-VN230, VN241-VN290, VN371-VN420, VN491-VN545, VN551-VN633, VN671-VN675, VN681-VN730, VN931-VN950, VN966-VN967, VN971-VN990, VS061-VS061, VS066-VS070, VS073-VS073, VS091-VS094, VS206-VS207, VS266-VS268, | |
| 703 | 24 | PK | | D08112J | 9 | | 36-22-11 | TB0248Y | A010 | BJ | L2 | 2 | | VN968-VN970, VS131-VS132, | |
| 704 | 24 | PK | | D08112J | 26 | | 73-21-11 | SF04012 | | W | L2 | 3 | | VK001-VK011, VK021-VK030, | |
| 706 | 24 | PK | | D02160 | 23 | | 73-21-16 | TB0182X | A015 | BJ | L2 | 4 | | VK012-VK020, VK031-VK054, VK131-VK140, VK181-VK190, VL001-VL010, VL751-VL790, VL891-VL930, VN001-VN050, VN231-VN240, VN301-VN340, VN421-VN490, VN546-VN550, VN634-VN650, VN791-VN810, VN921-VN930, VN951-VN960, VR461-VR461, VS051-VS052, VS073-VS073, VS176-VS177, VS196-VS199, VS261-VS262, VS266-VS268, | |
| 706 | 24 | PK | | D02160 | 23 | | 73-21-16 | TB0182X | A015 | BJ | L2 | 3 | | VN968-VN970, VS131-VS132, | |
| 707 | 22 | PA | | TB0182Y | C004 | BJ | 21-51-11 | D04978J | 34 | | L2 | 3 | | VK001-VK054, VK131-VK140, VK181-VK190, VL001-VL010, VL751-VL790, VL911-VL930, VN001-VN015, VN231-VN240, VN301-VN340, VN471-VN490, VN791-VN810, VN921-VN930, VN951-VN960, VR461-VR461, VS051-VS052, VS261-VS262, | |

286T1078-300
Wire Bundle Assembly
Figure 106 (Sheet 97)

25-71-01

TESTING & FAULT ISOLATION
01 Page 1220
Nov 01/02

| WIRE | | FROM EQUIPMENT | | | TO EQUIPMENT | | | WIRE INFO | | |
|--------|--------|----------------|---------|----------|--------------|---------|---------|-----------|-------|--|
| NUMBER | GA TYP | NUMBER | TERM TT | WDM REF | NUMBER | TERM TT | EMC/SEP | FT | NOTES | EFFECTIVITY |
| 707 | 22 PA | TB0158Y | A006 | 21-51-11 | D04978J | 34 | L2 | 3 | | VK055-VK080, VK171-VK180, VR421-VR421, VR471-VR471, VS073-VS073, VS266-VS268, |
| 707 | 22 PA | SM00009 | W | 21-51-11 | D04978J | 34 | L2 | 2 | | VK161-VK170, VL011-VL040, VL796-VL805, VN211-VN220, VN241-VN250, VN371-VN470, VN531-VN633, VN966-VN967, VN971-VN990, VS176-VS177, |
| 707 | 22 PA | SM00009 | W | 21-51-11 | D04978J | 34 | L2 | 1 | | VL871-VL880, VN968-VN970, VS131-VS132, |
| 707 | 22 PA | TB0158Y | A006 | 21-51-11 | D04978J | 34 | L2 | 3 | | VL931-VL940, VN016-VN050, VN681-VN730, VN931-VN950, VS196-VS199, VS206-VS207, |
| 707 | 22 PA | TB0158Y | A006 | 21-51-11 | D04978J | 34 | L2 | 4 | | VN171-VN190, VN251-VN290, VS061-VS061, VS066-VS070, |
| 707 | 22 PA | TB0182Y | C014 | 21-51-11 | D04978J | 34 | L2 | 3 | | VN491-VN530, VS091-VS094, |
| 708 | 24 FK | D08112J | 19 | 21-51-21 | TB0158G | 16 | L2 | 3 | | VK001-VK080, VK131-VK140, VK161-VK190, VL001-VL040, VL751-VL790, VL796-VL805, VL891-VL940, VN001-VN050, VN171-VN190, VN211-VN290, VN301-VN340, VN371-VN650, VN671-VN675, VN681-VN730, VN791-VN810, VN921-VN960, VN966-VN967, VN971-VN990, VR421-VR421, VR461-VR461, VR471-VR471, VS051-VS052, VS061-VS061, VS066-VS070, VS073-VS073, VS091-VS094, VS176-VS177, VS196-VS199, VS206-VS207, VS261-VS262, VS266-VS268, |
| 708 | 24 FK | D08112J | 19 | 21-51-21 | TB0158G | 16 | L2 | 2 | | VL806-VL810, VL871-VL880, VN968-VN970, VS131-VS132, |
| 709 | 24 FK | D08112J | 20 | 21-51-21 | TB0182Y | C001 | BJ | 3 | | VK001-VK080, VK131-VK140, VK161-VK190, VL001-VL040, VL751-VL790, VL796-VL805, VL891-VL940, VN001-VN050, VN171-VN190, VN211-VN290, VN301-VN340, VN371-VN650, VN671-VN675, VN681-VN730, VN791-VN810, VN921-VN960, VN966-VN967, VN971-VN990, VR421-VR421, VR461-VR461, VR471-VR471, VS051-VS052, VS061-VS061, VS066-VS070, VS073-VS073, VS091-VS094, VS176-VS177, VS196-VS199, VS206-VS207, VS261-VS262, VS266-VS268, |
| 709 | 24 FK | D08112J | 20 | 21-51-21 | TB0182Y | C001 | BJ | 2 | | VL806-VL810, VL871-VL880, VN968-VN970, VS131-VS132, |
| 711 | 24 FK | D02160 | 17 | 34-61-13 | TB0158Y | A003 | BJ | L2 | 4 | VK012-VK020, VK181-VK190, VR461-VR461, VS073-VS073, VS266-VS268, |
| 711 | 24 FK | D02160 | 17 | 34-61-13 | TB0158G | 1 | L2 | 4 | | VK031-VK045, VL001-VL006, VN001-VN015, VN231-VN232, |

286T1078-300
Wire Bundle Assembly
Figure 106 (Sheet 98)

25-71-01



BOEING
COMPONENT
MAINTENANCE MANUAL

| WIRE | | FROM EQUIPMENT | | | TO EQUIPMENT | | | WIRE INFO | | |
|--------|--------|----------------|---------|----------|--------------|---------|---------|-----------|------------------|--|
| NUMBER | CA TYP | NUMBER | TERM TT | WDM REF | NUMBER | TERM TT | EMC/SEP | FT | NOTES | EFFECTIVITY |
| 711 | 24 PK | D02160 | 17 | 34-61-13 | TB0158Y A003 | BJ | L2 | 5 | | VK046-VK054, VK131-VK140, VL007-VL010, VL751-VL790, VL891-VL930, VN016-VN050, VN233-VN240, VN301-VN340, VN421-VN490, VN546-VN550, VN634-VN650, VN791-VN810, VN921-VN930, VN951-VN960, VS051-VS052, VS176-VS177, VS196-VS199, VS261-VS262, |
| 711 | 24 PK | D02160 | 17 | 34-61-13 | TB0158Y A003 | BJ | L2 | 3 | | VN968-VN970, VS131-VS132, |
| 712 | 24 PK | D08112J | 16 | 21-51-11 | TB0182Y C004 | BJ | L2 | 3 | | VK001-VK054, VK131-VK140, VK181-VK190, VL001-VL010, VL751-VL790, VL911-VL930, VN001-VN015, VN231-VN240, VN301-VN340, VN471-VN490, VN791-VN810, VN921-VN930, VN951-VN960, VR461-VR461, VS051-VS052, VS261-VS262, |
| 712 | 24 PK | D08112J | 16 | 21-51-11 | TB0158Y A006 | BJ | L2 | 3 | | VK055-VK080, VK171-VK180, VL931-VL940, VN016-VN050, VN171-VN190, VN251-VN290, VN681-VN730, VN931-VN950, VR421-VR421, VR471-VR471, VS061-VS061, VS066-VS070, VS073-VS073, VS196-VS199, VS206-VS207, VS266-VS268, |
| 712 | 24 PK | D08112J | 16 | 21-51-11 | SM00009 | W | L2 | 2 | | VK161-VK170, VL011-VL040, VL796-VL805, VN211-VN220, VN241-VN250, VN371-VN470, VN531-VN633, VN966-VN967, VN971-VN990, VS176-VS177, |
| 712 | 24 PK | D08112J | 16 | 21-51-11 | SM00009 | W | L2 | 1 | | VL871-VL880, VN968-VN970, VS131-VS132, |
| 712 | 24 PK | D08112J | 16 | 21-51-11 | TB0182Y C014 | BJ | L2 | 3 | | VN491-VN530, VS091-VS094, |
| 713 | 24 PK | D08112J | 17 | 21-51-11 | TB0158G 13 | 2 | L2 | 3 | | VK001-VK009, VK021-VK022, VK031-VK045, VL001-VL006, VN001-VN015, VN171-VN173, VN231-VN232, |
| 713 | 24 PK | D08112J | 17 | 21-51-11 | TB0158Y A001 | BJ | L2 | 3 | | VK010-VK020, VK023-VK030, VK046-VK080, VK131-VK140, VK171-VK190, VL007-VL010, VL751-VL790, VL911-VL940, VN016-VN050, VN174-VN190, VN233-VN240, VN251-VN290, VN301-VN340, VN471-VN530, VN681-VN730, VN791-VN810, VN921-VN960, VR421-VR421, VR461-VR461, VR471-VR471, VS051-VS052, VS061-VS061, VS066-VS070, VS073-VS073, VS091-VS094, VS196-VS199, VS206-VS207, VS261-VS262, VS266-VS268, |
| 713 | 24 PK | D08112J | 17 | 21-51-11 | SM00010 | W | L2 | 2 | MZP-T2 ZSZ-B6 | VK161-VK161, VN371-VN372, VN382-VN383, |

286T1078-300
Wire Bundle Assembly
Figure 106 (Sheet 99)

25-71-01

| WIRE | | FROM EQUIPMENT | | | | TO EQUIPMENT | | | | WIRE INFO | | | |
|--------|--------|----------------|---------|----------|---------|--------------|---------|----|-------|--|--|--|--|
| NUMBER | GA TYP | NUMBER | TERM TT | WDM REF | NUMBER | TERM TT | EMC/SEP | FT | NOTES | EFFECTIVITY | | | |
| 713 | 24 PK | D08112J | 17 | 21-51-11 | SM00010 | W | L2 | 2 | | VK162-VK170, VL011-VL040, VL796-VL805, VN213-VN220, VN241-VN250, VN373-VN381, VN384-VN470, VN531-VN630, VN966-VN967, VN971-VN990, VS176-VS177, VL871-VL880, VN968-VN970, VS131-VS132, VN211-VN212, VN631-VN633, | | | |
| 713 | 24 PK | D08112J | 17 | 21-51-11 | SM00010 | W | L2 | 1 | | VK012-VK020, VK031-VK054, VK131-VK140, VK181-VK190, VL001-VL010, VL751-VL790, VL891-VL930, VN001-VN050, VN231-VN240, VN301-VN340, VN421-VN490, VN546-VN550, VN634-VN650, VN791-VN810, VN921-VN930, VN951-VN960, VR461-VR461, VS051-VS052, VS073-VS073, VS176-VS177, VS196-VS199, VS261-VS262, VS266-VS268, | | | |
| 714 | 24 PK | D02160 | 52 | 34-61-13 | TB0158G | 18 | L2 | 4 | | VN968-VN970, VS131-VS132, | | | |
| 715 | 24 PK | D02160 | 14 | 34-61-13 | TB0158G | 21 | L2 | 4 | | VK012-VK020, VK031-VK054, VK131-VK140, VK181-VK190, VL001-VL010, VL751-VL790, VL891-VL930, VN001-VN050, VN231-VN240, VN301-VN340, VN421-VN490, VN546-VN550, VN634-VN650, VN791-VN810, VN921-VN930, VN951-VN960, VR461-VR461, VS051-VS052, VS073-VS073, VS176-VS177, VS196-VS199, VS261-VS262, VS266-VS268, | | | |
| 715 | 24 PK | D02160 | 14 | 34-61-13 | TB0158G | 21 | L2 | 3 | | VN968-VN970, VS131-VS132, | | | |
| 716 | 24 PK | D02160 | 16 | 34-61-13 | TB0158G | 22 | L2 | 4 | | VK012-VK020, VK031-VK054, VK131-VK140, VK181-VK190, VL001-VL010, VL751-VL790, VL891-VL930, VN001-VN050, VN231-VN240, VN301-VN340, VN421-VN490, VN546-VN550, VN634-VN650, VN791-VN810, VN921-VN930, VN951-VN960, VR461-VR461, VS051-VS052, VS073-VS073, VS176-VS177, VS196-VS199, VS261-VS262, VS266-VS268, | | | |
| 716 | 24 PK | D02160 | 16 | 34-61-13 | TB0158G | 22 | L2 | 3 | | VN968-VN970, VS131-VS132, | | | |
| 717 | 24 PK | D02160 | 27 | 34-61-13 | TB0158G | 23 | L2 | 4 | | VK012-VK020, VK031-VK054, VK131-VK140, VK181-VK190, VL001-VL010, VL751-VL790, VL891-VL930, VN001-VN050, VN231-VN240, VN301-VN340, VN421-VN490, VN546-VN550, VN634-VN650, VN791-VN810, VN921-VN930, VN951-VN960, VR461-VR461, VS051-VS052, VS073-VS073, VS176-VS177, VS196-VS199, VS261-VS262, VS266-VS268, | | | |
| 717 | 24 PK | D02160 | 27 | 34-61-13 | TB0158G | 23 | L2 | 3 | | VN968-VN970, VS131-VS132, | | | |

286T1078-300
Wire Bundle Assembly
Figure 106 (Sheet 100)

25-71-01



BOEING
COMPONENT
MAINTENANCE MANUAL

| WIRE | | FROM EQUIPMENT | | | TO EQUIPMENT | | | WIRE INFO | | |
|--------|--------|----------------|---------|----------|--------------|---------|---------|-----------|-------|--|
| NUMBER | GA TYP | NUMBER | TERM TT | WDM REF | NUMBER | TERM TT | EMC/SEP | FT | NOTES | EFFECTIVITY |
| 718 | 24 FK | D03742 | 25 | 21-25-11 | D04978J | 12 | L2 | 3 | | VK001-VK080, VK131-VK140, VK161-VK190, VL001-VL040, VL751-VL790, VL796-VL805, VL891-VL940, VN001-VN050, VNL171-VNL190, VN211-VN290, VN301-VN340, VN371-VN650, VN671-VN675, VN681-VN730, VN791-VN810, VN921-VN960, VN966-VN967, VN971-VN990, VR421-VR421, VR461-VR461, VR471-VR471, VS051-VS052, VS061-VS061, VS066-VS070, VS073-VS073, VS091-VS094, VS176-VS177, VS196-VS199, VS206-VS207, VS261-VS262, VS266-VS268, |
| 718 | 24 FK | D03742 | 25 | 21-25-11 | D04978J | 12 | L2 | 2 | | VL806-VL810, VL871-VL880, VN968-VN970, VS131-VS132, |
| 720 | 24 FK | D08112J | 32 | 21-58-11 | TB0182Y | A001 BJ | L2 | 3 | | VK001-VK080, VK131-VK140, VK161-VK190, VL001-VL040, VL751-VL790, VL796-VL805, VL891-VL940, VN171-VN190, VN211-VN290, VN301-VN340, VN371-VN650, VN671-VN675, VN681-VN730, VN791-VN810, VN921-VN960, VN966-VN967, VN971-VN990, VR421-VR421, VR461-VR461, VR471-VR471, VS051-VS052, VS061-VS061, VS066-VS070, VS073-VS091, VS094, VS176-VS177, VS206-VS207, VS261-VS262, VS266-VS268, |
| 720 | 24 FK | D08112J | 32 | 21-58-11 | TB0182Y | A001 BJ | L2 | 2 | | VL806-VL810, VL871-VL880, VN968-VN970, VS131-VS132, |
| 721 | 24 FK | D02672 | 16 | 31-31-21 | D05209J | 19 | L2 | 4 | | VK012-VK020, VK181-VK190, VN221-VN230, VN251-VN290, VN371-VN375, VN491-VN530, VN631-VN633, VN671-VN675, VN791-VN810, VR461-VR461, VS066-VS070, VS073-VS073, VS091-VS094, VS266-VS268, |
| 722 | 24 FK | D08112J | 1 | 21-58-14 | D03742 | 37 | L2 | 3 | | VK001-VK080, VK131-VK140, VK161-VK190, VL001-VL040, VL751-VL790, VL796-VL805, VL891-VL940, VN001-VN050, VNL171-VNL190, VN211-VN290, VN301-VN340, VN371-VN650, VN671-VN675, VN681-VN730, VN791-VN810, VN921-VN960, VN966-VN967, VN971-VN990, VR421-VR421, VR461-VR461, VR471-VR471, VS051-VS052, VS061-VS061, VS066-VS070, VS073-VS073, VS091-VS094, VS176-VS177, VS196-VS199, VS206-VS207, VS261-VS262, VS266-VS268, |
| 722 | 24 FK | D08112J | 1 | 21-58-14 | D03742 | 37 | L2 | 2 | | VL806-VL810, VL871-VL880, VN968-VN970, VS131-VS132, |
| 723 | 24 FK | D08112J | 2 | 21-58-14 | TB0248X | D011 BJ | L2 | 3 | | VK001-VK003, |

286T1078-300
Wire Bundle Assembly
Figure 106 (Sheet 101)

25-71-01

| WIRE | | FROM EQUIPMENT | | | TO EQUIPMENT | | | WIRE INFO | | | | | |
|--------|----|----------------|---------|------|--------------|----------|---------|-----------|----|---------|----|-------|--|
| NUMBER | GA | TYP | NUMBER | TERM | TT | WDM REF | NUMBER | TERM | TT | EMC/SEP | FT | NOTES | EFFECTIVITY |
| 724 | 24 | FK | D08112J | 3 | | 21-58-15 | TB0248X | A012 | BJ | L2 | 3 | | VK001-VK080, VK161-VK190, VL001-VL001, VL011-VL040, VL751-VL790, VL796-VL805, VL891-VL940, VN001-VN050, VN171-VN190, VN221-VN290, VN301-VN340, VN371-VN490, VN546-VN550, VN631-VN650, VN671-VN675, VN681-VN730, VN791-VN810, VN921-VN960, VN966-VN967, VN971-VN990, VR421-VR421, VR461-VR461, VR471-VR471, VS051-VS052, VS061-VS061, VS066-VS070, VS073-VS073, VS176-VS177, VS196-VS199, VS206-VS207, VS261-VS262, VS266-VS268, |
| 724 | 24 | FK | D08112J | 3 | | 21-58-15 | TB0248Y | A009 | BJ | L2 | 3 | | VK131-VK140, VL002-VL010, VN211-VN220, VN531-VN545, VN551-VN630, |
| 724 | 24 | FK | D08112J | 3 | | 21-58-15 | TB0248X | A012 | BJ | L2 | 2 | | VL806-VL810, VL871-VL880, VN968-VN970, VS131-VS132, |
| 724 | 24 | FK | D08112J | 3 | | 21-58-15 | TB0248Y | C004 | BJ | L2 | 3 | | VN491-VN530, |
| 724 | 24 | FK | D08112J | 3 | | 21-58-15 | TB0248X | A12 | BJ | L2 | 3 | | VS091-VS094, |
| 725 | 24 | FK | D03742 | 2 | | 21-25-11 | TB0248D | A019 | 2 | L2 | 3 | | VK001-VK080, VK131-VK140, VK161-VK190, VL001-VL040, VL751-VL790, VL796-VL805, VL891-VL940, VN001-VN050, VN171-VN190, VN211-VN290, VN301-VN340, VN371-VN650, VN671-VN675, VN681-VN730, VN791-VN810, VN921-VN960, VN966-VN967, VN971-VN990, VR421-VR421, VR461-VR461, VR471-VR471, VS051-VS052, VS061-VS061, VS066-VS070, VS073-VS073, VS091-VS094, VS176-VS177, VS196-VS199, VS206-VS207, VS261-VS262, VS266-VS268, |
| 725 | 24 | FK | D03742 | 2 | | 21-25-11 | TB0248D | A019 | 2 | L2 | 3 | | VL806-VL810, VL871-VL880, VN968-VN970, VS131-VS132, |
| 726 | 24 | FK | TB0248Y | C010 | BJ | 21-25-11 | TB0248D | C019 | 2 | L2 | 2 | | VK001-VK080, VK131-VK140, VK161-VK190, VL001-VL040, VL751-VL790, VL796-VL805, VL891-VL940, VN001-VN050, VN171-VN190, VN211-VN290, VN301-VN340, VN371-VN650, VN671-VN675, VN681-VN730, VN791-VN810, VN921-VN960, VN966-VN967, VN971-VN990, VR421-VR421, VR461-VR461, VR471-VN967, VN971-VN990, VR421-VR421, VR461-VR461, VR471-VR471, VS051-VS052, VS061-VS061, VS066-VS070, VS073-VS073, VS091-VS094, VS176-VS177, VS196-VS199, VS206-VS207, VS261-VS262, VS266-VS268, |
| 726 | 24 | FK | TB0248Y | C010 | BJ | 21-25-11 | TB0248D | C019 | 2 | L2 | 2 | | VL806-VL810, VL871-VL880, |
| 726 | 24 | FK | TB0248Y | C010 | BJ | 21-25-11 | TB0248D | C019 | 2 | L2 | 2 | | VN968-VN970, VS131-VS132, |

286T1078-300
Wire Bundle Assembly
Figure 106 (Sheet 102)

25-71-01



BOEING
COMPONENT
MAINTENANCE MANUAL

| WIRE | | FROM EQUIPMENT | | | TO EQUIPMENT | | | WIRE INFO | | |
|--------|--------|----------------|---------|----------|--------------|---------|---------|-----------|--------|--|
| NUMBER | GA TYP | NUMBER | TERM TT | WDM REF | NUMBER | TERM TT | EMC/SEP | FT | NOTES | EFFECTIVITY |
| 727 | 24 PK | TB0248Y | C010 BJ | 21-25-11 | D04978J | 7 | L2 | 3 | | VK001-VK080, VK131-VK140, VK161-VK190, VL001-VL040, VL751-VL790, VL796-VL805, VL911-VL940, VN001-VN050, VN171-VN190, VN211-VN290, VN301-VN340, VN371-VN650, VN671-VN675, VN681-VN730, VN791-VN810, VN921-VN960, VN966-VN967, VN971-VN990, VR421-VR421, VR461-VR461, VR471-VR471, VS051-VS052, VS061-VS061, VS066-VS070, VS073-VS073, VS091-VS094, VS176-VS177, VS196-VS199, VS206-VS207, VS261-VS262, VS266-VS268, |
| 727 | 24 PK | TB0248Y | C010 BJ | 21-25-11 | D04978J | 7 | L2 | 2 | | VL806-VL810, VL871-VL880, VN968-VN970, VS131-VS132, VL891-VL910, |
| 727 | 24 PK | TB0248Y | C010 BJ | 21-25-11 | D04978J | 7 | L2 | 3 | | VL891-VL910, |
| 728 | 24 PK | TB0248X | C011 BJ | 21-26-11 | D08112J | 12 | L2 | 3 | | VK001-VK080, VK131-VK140, VK161-VK190, VL001-VL040, VL751-VL790, VL796-VL805, VL891-VL940, VN001-VN050, VN171-VN190, VN211-VN290, VN301-VN340, VN371-VN650, VN671-VN675, VN681-VN730, VN791-VN810, VN921-VN960, VN966-VN967, VN971-VN990, VR421-VR421, VR461-VR461, VR471-VR471, VS051-VS052, VS061-VS061, VS066-VS070, VS073-VS073, VS091-VS094, VS176-VS177, VS196-VS199, VS206-VS207, VS261-VS262, VS266-VS268, |
| 728 | 24 PK | TB0248X | C011 BJ | 21-26-11 | D08112J | 12 | L2 | 2 | | VL806-VL810, VL871-VL880, VN968-VN970, VS131-VS132, |
| 729 | 24 PK | SP04014 | W | 73-21-11 | D08112J | 27 | L2 | 3 | MHE-F2 | VK001-VK009, VK021-VK022, |
| 729 | 24 PK | SP04014 | W | 73-21-11 | D08112J | 27 | L2 | 3 | | VK010-VK011, VK023-VK030, |
| 730 | 24 PK | D02160 | 51 | 73-21-15 | TB0182X | D014 BJ | L2 | 4 | | VK012-VK020, VK031-VK054, VK131-VK140, VK181-VK190, VL001-VL010, VL751-VL790, VL891-VL930, VN001-VN050, VN231-VN240, VN421-VN490, VN546-VN550, VN634-VN650, VN791-VN810, VN921-VN930, VN951-VN960, VR461-VR461, VS051-VS052, VS073-VS073, VS176-VS177, VS196-VS199, VS261-VS262, VS266-VS268, |
| 730 | 24 PK | D02160 | 51 | 73-21-15 | TB0182X | C014 BJ | L2 | 4 | | VN301-VN340, |
| 730 | 24 PK | D02160 | 51 | 73-21-15 | TB0182X | D014 BJ | L2 | 3 | | VN968-VN970, VS131-VS132, |
| 731 | 24 PK | D02160 | 39 | 73-21-15 | D08030J | 1 | L2 | 3 | | VK012-VK020, VK181-VK190, VR461-VR461, VS073-VS073, VS266-VS268, |

286T1078-300
Wire Bundle Assembly
Figure 106 (Sheet 103)

25-71-01

| WIRE | | FROM EQUIPMENT | | | TO EQUIPMENT | | | WIRE INFO | | |
|--------|--------|----------------|---------|----------|--------------|---------|---------|-----------|-------|---|
| NUMBER | GA TYP | NUMBER | TERM FT | WDM REF | NUMBER | TERM FT | EMC/SEP | FT | NOTES | EFFECTIVITY |
| 731 | 24 PK | D02160 | 39 | 73-21-15 | D08030J | 1 | L2 | 4 | | VK031-VK054, VK131-VK140, VL001-VL010, VL751-VL790, VL891-VL930, VN001-VN050, VN231-VN240, VN301-VN340, VN421-VN490, VN546-VN550, VN634-VN650, VN791-VN810, VN921-VN930, VN951-VN960, VS051-VS052, VS176-VS177, VS196-VS199, VS261-VS262, |
| 731 | 24 PK | D02160 | 39 | 73-21-15 | D08030J | 1 | L2 | 2 | | VN968-VN970, VS131-VS132, |
| 732 | 22 PA | D02160 | 63 | 73-21-19 | TB0248Y | C014 | BJ | L2 | 4 | VK012-VK020, VK031-VK054, VK131-VK140, VK181-VK190, VL001-VL010, VL751-VL790, VL891-VL930, VN001-VN050, VN231-VN240, VN301-VN340, VN421-VN490, VN546-VN550, VN634-VN650, VN791-VN810, VN921-VN930, VN951-VN960, VR461-VR461, VS051-VS052, VS073-VS073, VS176-VS177, VS196-VS199, VS261-VS262, VS266-VS268, |
| 732 | 22 PA | D02160 | 63 | 73-21-19 | TB0248Y | C014 | BJ | L2 | 3 | VN968-VN970, VS131-VS132, |
| 733 | 22 PA | D02160 | 64 | 73-21-19 | TB0182X | B016 | BJ | L2 | 4 | VK012-VK020, VK031-VK054, VK131-VK140, VK181-VK190, VL001-VL010, VL751-VL790, VL891-VL930, VN001-VN050, VN231-VN240, VN301-VN340, VN421-VN490, VN546-VN550, VN634-VN650, VN791-VN810, VN921-VN930, VN951-VN960, VR461-VR461, VS051-VS052, VS073-VS073, VS176-VS177, VS196-VS199, VS261-VS262, VS266-VS268, |
| 733 | 22 PA | D02160 | 64 | 73-21-19 | TB0182X | B016 | BJ | L2 | 3 | VN968-VN970, VS131-VS132, |
| 737 | 24 PK | D01886 | 19 | 36-11-51 | SM00002 | | W | L2 | 3 | VK001-VK011, VK021-VK054, |
| 737 | 24 PK | D01886 | 54 | 36-11-51 | SM00002 | | W | L2 | 3 | VK012-VK020, VK055-VK080, VK131-VK140, VK161-VK190, VL001-VL040, VL751-VL790, VL796-VL805, VL891-VL940, VN001-VN050, VN171-VN190, VN211-VN290, VN301-VN340, VN371-VN650, VN671-VN675, VN681-VN730, VN791-VN810, VN921-VN960, VN966-VN967, VN971-VN990, VR421-VR421, VR461-VR461, VR471-VR471, VS051-VS052, VS061-VS061, VS066-VS070, VS073-VS073, VS091-VS094, VS176-VS177, VS196-VS199, VS206-VS207, VS261-VS262, VS266-VS268, |
| 737 | 24 PK | D01886 | 54 | 36-11-51 | SM00002 | | W | L2 | 2 | VL806-VL810, VN968-VN970, VS131-VS132, |
| 738 | 22 PA | D01886 | 36 | 36-11-51 | SM00003 | | W | L2 | 3 | VK001-VK011, VK021-VK054, |

286T1078-300
Wire Bundle Assembly
Figure 106 (Sheet 104)

25-71-01



BOEING
COMPONENT
MAINTENANCE MANUAL

| WIRE | | FROM EQUIPMENT | | | TO EQUIPMENT | | | WIRE INFO | | |
|--------|--------|----------------|---------|----------|--------------|---------|---------|-----------|-------|--|
| NUMBER | GA TYP | NUMBER | TERM TT | WDM REF | NUMBER | TERM TT | EMC/SEP | FT | NOTES | EFFECTIVITY |
| 738 | 22 PA | D01886 | 11 | 36-11-51 | D08068J | 28 | L2 | 3 | | VK012-VK020, VK131-VK140, VK161-VK170, VK181-VK190, VL001-VL040, VL751-VL790, VL796-VL805, VL891-VL930, VN001-VN050, VN171-VN190, VN211-VN220, VN231-VN290, VN301-VN340, VN371-VN490, VN531-VN650, VN791-VN810, VN921-VN930, VN951-VN960, VR461-VR461, VS051-VS052, VS061-VS061, VS066-VS070, VS073-VS073, VS176-VS177, VS196-VS199, VS261-VS262, VS266-VS268, |
| 738 | 22 PA | D01886 | 11 | 36-11-51 | D08068J | 28 | L2 | 4 | | VK055-VK080, VK171-VK180, VL931-VL940, VN221-VN230, VN491-VN530, VN671-VN675, VN681-VN730, VN931-VN950, VN966-VN967, VN971-VN990, VR421-VR421, VR471-VR471, VS091-VS094, VS206-VS207, |
| 738 | 22 PA | D01886 | 11 | 36-11-51 | D08068J | 28 | L2 | 2 | | VL806-VL810, VN968-VN970, VS131-VS132, |
| 739 | 22 PA | D01886 | 1 | 36-11-51 | SM00001 | | L2 | 3 | W | VK001-VK011, VK031-VK054, |
| 739 | 22 PA | D01886 | 59 | 36-11-51 | SM00001 | | L2 | 3 | W | VK012-VK020, VK055-VK080, VK131-VK140, VK161-VK190, VL001-VL040, VL751-VL790, VL796-VL805, VL891-VL940, VN001-VN050, VN171-VN190, VN211-VN220, VN231-VN290, VN301-VN371-VN650, VN671-VN730, VN791-VN810, VN921-VN960, VN966-VN967, VN971-VN990, VR421-VR421, VR461-VR461, VR471-VR471, VS051-VS052, VS061-VS061, VS066-VS070, VS073-VS073, VS091-VS094, VS176-VS177, VS196-VS199, VS206-VS207, VS261-VS262, VS266-VS268, |
| 739 | 22 PA | D01886 | 59 | 36-11-51 | SM00001 | | L2 | 2 | W | VL806-VL810, VN968-VN970, VS131-VS132, |
| 740 | 22 PA | D08068J | 24 | 36-11-51 | SM00001 | | L2 | 3 | W | VK001-VK080, VK131-VK140, VK161-VK190, VL001-VL040, VL751-VL790, VL796-VL805, VL891-VL940, VN001-VN050, VN171-VN190, VN211-VN220, VN231-VN290, VN301-VN371-VN650, VN671-VN730, VN791-VN810, VN921-VN960, VN966-VN967, VN971-VN990, VR421-VR421, VR461-VR461, VR471-VR471, VS051-VS052, VS061-VS061, VS066-VS070, VS073-VS073, VS091-VS094, VS176-VS177, VS196-VS199, VS206-VS207, VS261-VS262, VS266-VS268, |
| 740 | 22 PA | D08068J | 24 | 36-11-51 | SM00001 | | L2 | 1 | W | VL806-VL810, VN968-VN970, VS131-VS132, |

286T1078-300
Wire Bundle Assembly
Figure 106 (Sheet 105)

25-71-01

| WIRE | | FROM EQUIPMENT | | | TO EQUIPMENT | | | WIRE INFO | | |
|--------|--------|----------------|---------|----------|--------------|---------|---------|-----------|-------|--|
| NUMBER | GA TYP | NUMBER | TERM TT | WDM REF | NUMBER | TERM TT | EMC/SEP | FT | NOTES | EFFECTIVITY |
| 741 | 24 EK | D08068J | 40 | 36-11-51 | SM00002 | | W L2 | 3 | | VK001-VK080, VK131-VK140, VK161-VK190, VL001-VL040, VL751-VL790, VL796-VL805, VL891-VL940, VK001-VK050, VN171-VN190, VN211-VN290, VN301-VN340, VN371-VN650, VN671-VN675, VN681-VN730, VN791-VN810, VN921-VN960, VN966-VN967, VN971-VN990, VR421-VR421, VR461-VR461, VR471-VR471, VS051-VS052, VS061-VS061, VS066-VS070, VS073-VS073, VS091-VS094, VS176-VS177, VS196-VS199, VS206-VS207, VS261-VS262, VS266-VS268, |
| 741 | 24 EK | D08068J | 40 | 36-11-51 | SM00002 | | W L2 | 1 | | VL806-VL810, VN968-VN970, VS131-VS132, |
| 742 | 22 PA | D08068J | 28 | 36-11-51 | SM00003 | | W L2 | 3 | | VK001-VK011, VK021-VK054, |
| 743 | 22 PA | D08068J | 27 | 36-11-51 | SM00004 | | W L2 | 3 | | VK001-VK011, VK021-VK054, |
| 744 | 22 PA | D01886 | 31 | 36-11-51 | SM00004 | | W L2 | 3 | | VK001-VK011, VK021-VK054, |
| 744 | 22 PA | D01886 | 46 | 36-11-51 | D08068J | 27 | W L2 | 3 | | VL040, VL751-VL790, VL796-VL805, VL891-VL930, VN001-VN050, VN171-VN190, VN211-VN230, VN231-VN290, VN301-VN340, VN371-VN490, VN531-VN650, VN791-VN810, VN921-VN930, VN951-VN960, VR461-VR461, VS051-VS052, VS061-VS061, VS066-VS070, VS073-VS073, VS176-VS177, VS196-VS199, VS261-VS262, VS266-VS268, |
| 744 | 22 PA | D01886 | 46 | 36-11-51 | D08068J | 27 | W L2 | 4 | | VK055-VK080, VK171-VK180, VL931-VL940, VN221-VN230, VN491-VN530, VN671-VN675, VN681-VN730, VN931-VN950, VN966-VN967, VN971-VN990, VR421-VR421, VR471-VR471, VS091-VS094, VS206-VS207, |
| 744 | 22 PA | D01886 | 46 | 36-11-51 | D08068J | 27 | W L2 | 2 | | VL806-VL810, VN968-VN970, VS131-VS132, |
| 745 | 22 PA | D01886 | 29 | 36-11-61 | SM00005 | | W L2 | 3 | | VK001-VK011, VK021-VK054, |
| 746 | 22 PA | D01886 | 9 | 36-11-61 | SM00005 | | W L2 | 3 | | VK001-VK011, VK021-VK054, |
| 747 | 22 PA | D01886 | 27 | 36-11-61 | SM00006 | | W L2 | 3 | | VK001-VK011, VK021-VK054, |
| 748 | 22 PA | D01886 | 6 | 36-11-61 | SM00006 | | W L2 | 3 | | VK001-VK011, VK021-VK054, |

286T1078-300
Wire Bundle Assembly
Figure 106 (Sheet 106)

25-71-01



BOEING
COMPONENT
MAINTENANCE MANUAL

| WIRE | | FROM EQUIPMENT | | | TO EQUIPMENT | | | WIRE INFO | | |
|--------|--------|----------------|---------|----------|--------------|---------|---------|-----------|-------|--|
| NUMBER | GA TYP | NUMBER | TERM TT | WDM REF | NUMBER | TERM TT | EMC/SEP | FT | NOTES | EFFECTIVITY |
| 749 | 24 PK | D04978J | 26 | 21-58-11 | TB0248X | A001 BJ | L2 | 4 | | VK001-VK080, VK131-VK140, VK161-VK190, VL001-VL040, VL751-VL790, VL796-VL805, VL911-VL940, VN001-VN050, VN171-VN190, VN211-VN290, VN301-VN340, VN371-VN650, VN671-VN675, VN681-VN730, VN791-VN810, VN921-VN960, VN966-VN967, VN971-VN990, VR421-VR421, VR461-VR461, VR471-VR471, VS051-VS052, VS061-VS061, VS066-VS070, VS073-VS073, VS091-VS094, VS176-VS177, VS196-VS199, VS206-VS207, VS261-VS262, VS266-VS268, |
| 749 | 24 PK | D04978J | 26 | 21-58-11 | TB0248X | A001 BJ | L2 | 2 | | VL806-VL810, VL871-VL880, VN968-VN970, VS131-VS132, VS199-VL910, |
| 749 | 24 PK | D04978J | 26 | 21-58-11 | TB0248X | A001 BJ | L2 | 3 | | VK001-VK011, VK021-VK054, |
| 751 | 24 PK | D08068J | 21 | 36-11-61 | D01886 | 25 | L2 | 3 | | VK012-VK020, VK131-VK140, VK181-VK190, VL001-VL010, VL751-VL790, VL891-VL930, VN001-VN050, VN231-VN240, VN301-VN340, VN421-VN490, VN546-VN550, VN634-VN650, VN791-VN810, VN921-VN930, VN951-VN960, VR461-VR461, VS051-VS052, VS073-VS073, VS176-VS177, VS196-VS199, VS261-VS262, VS266-VS268, |
| 751 | 24 PK | D08068J | 21 | 36-11-61 | D01886 | 19 | L2 | 3 | | VN968-VN970, VS131-VS132, |
| 752 | 22 PA | TB0248Y | A010 BJ | 36-22-11 | D01886 | 35 | L2 | 4 | | VK001-VK011, VK021-VK054, |
| 752 | 22 PA | TB0248Y | A010 BJ | 36-22-11 | D01886 | 3 | L2 | 4 | | VK012-VK020, VK131-VK140, VK181-VK190, VL001-VL010, VL751-VL790, VL891-VL930, VN001-VN050, VN231-VN240, VN301-VN340, VN421-VN490, VN546-VN550, VN634-VN650, VN791-VN810, VN921-VN930, VN951-VN960, VR461-VR461, VS051-VS052, VS073-VS073, VS176-VS177, VS196-VS199, VS261-VS262, |
| 752 | 22 PA | SM00008 | W | 36-22-11 | D01886 | 3 | L2 | 3 | | VK055-VK080, VK161-VK180, VL011-VL040, VL796-VL810, VL931-VL940, VN171-VN190, VN211-VN230, VN241-VN290, VN371-VN420, VN491-VN545, VN551-VN633, VN671-VN675, VN681-VN730, VN931-VN950, VN966-VN967, VN971-VN990, VR421-VR421, VR471-VR471, VS061-VS061, VS066-VS070, VS073-VS073, VS091-VS094, VS206-VS207, VS266-VS268, |
| 752 | 22 PA | TB0248Y | A010 BJ | 36-22-11 | D01886 | 3 | L2 | 3 | | VN968-VN970, VS131-VS132, |

286T1078-300
Wire Bundle Assembly
Figure 106 (Sheet 107)

25-71-01



COMPONENT
MAINTENANCE MANUAL

| WIRE | | | FROM EQUIPMENT | | | | TO EQUIPMENT | | | | WIRE INFO | | | |
|--------|----|-----|----------------|------|----|----------|--------------|------|----|---------|-----------|-------|--|--|
| NUMBER | GA | TYP | NUMBER | TERM | TT | WDM REF | NUMBER | TERM | TT | EMC/SEP | FT | NOTES | EFFECTIVITY | |
| 753 | 24 | PK | D02160 | 18 | | 22-32-13 | TB0182X | A017 | BJ | L2 | 4 | | VK012-VK020, VK031-VK054, VK131-VK140, VK181-VK190, VL001-VL010, VL751-VL790, VL891-VL930, VN001-VN050, VN231-VN240, VN301-VN340, VN421-VN490, VN546-VN550, VN634-VN650, VN791-VN810, VN921-VN930, VN951-VN960, VR461-VR461, VS051-VS052, VS073-VS073, VS176-VS177, VS196-VS199, VS261-VS262, VS266-VS268, | |
| 753 | 24 | PK | D02160 | 18 | | 22-32-13 | TB0182X | A017 | BJ | L2 | 3 | | VN968-VN970, VS131-VS132, | |
| 754 | 24 | PK | D02160 | 20 | | 22-32-13 | TB0182X | B017 | BJ | L2 | 4 | | VK012-VK020, VK031-VK054, VK131-VK140, VK181-VK190, VL001-VL010, VL751-VL790, VL891-VL930, VN001-VN050, VN231-VN240, VN301-VN340, VN421-VN490, VN546-VN550, VN634-VN650, VN791-VN810, VN921-VN930, VN951-VN960, VR461-VR461, VS051-VS052, VS073-VS073, VS176-VS177, VS196-VS199, VS261-VS262, VS266-VS268, | |
| 754 | 24 | PK | D02160 | 20 | | 22-32-13 | TB0182X | B017 | BJ | L2 | 3 | | VN968-VN970, VS131-VS132, | |
| 755 | 24 | PK | D02160 | 58 | | 22-32-13 | TB0182X | C017 | BJ | L2 | 4 | | VK012-VK020, VK031-VK054, VK131-VK140, VK181-VK190, VL001-VL010, VL751-VL790, VL891-VL930, VN001-VN050, VN231-VN240, VN301-VN340, VN421-VN490, VN546-VN550, VN634-VN650, VN791-VN810, VN921-VN930, VN951-VN960, VR461-VR461, VS051-VS052, VS073-VS073, VS176-VS177, VS196-VS199, VS261-VS262, VS266-VS268, | |
| 755 | 24 | PK | D02160 | 58 | | 22-32-13 | TB0182X | C017 | BJ | L2 | 3 | | VN968-VN970, VS131-VS132, | |
| 756 | 24 | PK | D02160 | 50 | | 22-32-13 | TB0182X | D017 | BJ | L2 | 4 | | VK012-VK020, VK031-VK054, VK131-VK140, VK181-VK190, VL001-VL010, VL751-VL790, VL891-VL930, VN001-VN050, VN231-VN240, VN301-VN340, VN421-VN490, VN546-VN550, VN634-VN650, VN791-VN810, VN921-VN930, VN951-VN960, VR461-VR461, VS051-VS052, VS073-VS073, VS176-VS177, VS196-VS199, VS261-VS262, VS266-VS268, | |
| 756 | 24 | PK | D02160 | 50 | | 22-32-13 | TB0182X | D017 | BJ | L2 | 3 | | VN968-VN970, VS131-VS132, | |
| 757 | 24 | PK | D02160 | 28 | | 22-32-13 | TB0182X | D016 | BJ | L2 | 4 | | VK012-VK020, VK031-VK054, VK131-VK140, VK181-VK190, VL001-VL010, VL751-VL790, VL891-VL930, VN001-VN050, VN231-VN240, VN301-VN340, VN421-VN490, VN546-VN550, VN634-VN650, VN791-VN810, VN921-VN930, VN951-VN960, VR461-VR461, VS051-VS052, VS073-VS073, VS176-VS177, VS196-VS199, VS261-VS262, VS266-VS268, | |

286T1078-300
Wire Bundle Assembly
Figure 106 (Sheet 108)

25-71-01



BOEING
COMPONENT
MAINTENANCE MANUAL

| WIRE | | FROM EQUIPMENT | | | | TO EQUIPMENT | | | | WIRE INFO | | | |
|--------|--------|----------------|---------|----------|---------|--------------|---------|----|-------|---|--|--|--|
| NUMBER | GA TYP | NUMBER | TERM TT | WDM REF | NUMBER | TERM TT | EMC/SEP | FT | NOTES | EFFECTIVITY | | | |
| 757 | 24 EK | D02160 | 28 | 22-32-13 | TB0182X | D016 BJ | L2 | 3 | | VN968-VN970, VS131-VS132, | | | |
| 763 | 22 FA | SF04012 | W | 73-21-11 | D02160 | 20 | L2 | 4 | | VK001-VK011, VK021-VK030, | | | |
| 763 | 24 PV | TB0182Y | A007 | 73-21-11 | D04978J | 41 | L2 | 3 | | VK055-VK080, VK171-VK180, VL931-VL940, VN221-VN230, VN491-VN530, VN671-VN675, VN681-VN730, VN931-VN950, VN966-VN967, VN971-VN990, VR421-VR421, VR471-VR471, VS091-VS094, VS206-VS207, | | | |
| 763 | 24 PV | TB0182Y | A007 | 73-21-11 | D04978J | 41 | L2 | 3 | | VK161-VK170, VL011-VL040, VL796-VL805, VN171-VN190, VN211-VN220, VN241-VN290, VN371-VN420, VN531-VN545, VN551-VN633, VS061-VS061, VS066-VS070, | | | |
| 763 | 24 PV | TB0182Y | A007 | 73-21-11 | D04978J | 41 | L2 | 2 | | VL806-VL810, VL871-VL880, | | | |
| 763Z | 24 PV | TB0182Y | C007 | 73-21-11 | D04978J | 40 | L2 | | | VK055-VK080, VK171-VK180, VL931-VL940, VN221-VN230, VN491-VN530, VN671-VN675, VN681-VN730, VN931-VN950, VN966-VN967, VN971-VN990, VR421-VR421, VR471-VR471, VS091-VS094, VS206-VS207, | | | |
| 763Z | 24 PV | TB0182Y | C007 | 73-21-11 | D04978J | 40 | L2 | | | VK161-VK170, VL011-VL040, VL796-VL810, VL871-VL880, VN171-VN190, VN211-VN220, VN241-VN290, VN371-VN420, VN531-VN545, VN551-VN633, VS061-VS061, VS066-VS070, | | | |
| 764 | 24 PV | D08030J | 46 | 73-21-11 | TB0248Z | 7 BJ | L2 | 3 | | VK001-VK011, VK021-VK030, VK055-VK080, VK171-VK180, VL931-VL940, VN221-VN230, VN491-VN530, VN671-VN675, VN681-VN730, VN931-VN950, VN966-VN967, VN971-VN990, VR421-VR421, VR471-VR471, VS091-VS094, VS206-VS207, | | | |
| 764 | 24 PV | D08030J | 46 | 73-21-11 | TB0248Z | 7 BJ | L2 | 3 | | VK161-VK170, VL011-VL040, VL796-VL805, VN171-VN190, VN211-VN220, VN241-VN290, VN371-VN420, VN531-VN545, VN551-VN633, VS061-VS061, VS066-VS070, | | | |
| 764 | 24 EK | D08030J | 46 | 73-21-11 | TB0182Y | A003 BJ | L2 | 3 | | VL001-VL010, VL001-VL050, VN301-VN340, VS196-VS199, | | | |
| 764 | 24 EK | D08030J | 46 | SPARE | TB0182Y | A003 BJ | L2 | 3 | | VL751-VL790, VL891-VL930, VN231-VN240, VN471-VN490, VN791-VN810, VN921-VN930, VN951-VN960, VS051-VS052, VS261-VS262, | | | |
| 764 | 24 PV | D08030J | 46 | 73-21-11 | TB0248Z | 7 BJ | L2 | 2 | | VL806-VL810, VL871-VL880, | | | |
| 764Z | 24 PV | D08030J | 48 | 73-21-11 | TB0248Z | 8 BJ | L2 | | | VK001-VK011, VK021-VK030, | | | |

286T1078-300
Wire Bundle Assembly
Figure 106 (Sheet 109)

25-71-01

TESTING & FAULT ISOLATION
01

Page 123
Nov 01/02

| WIRE | | FROM EQUIPMENT | | | TO EQUIPMENT | | | WIRE INFO | | |
|--------|--------|----------------|---------|----------|--------------|---------|---------|-----------|-------|--|
| NUMBER | GA TYP | NUMBER | TERM TT | WDM REF | NUMBER | TERM TT | EMC/SEP | FT | NOTES | EFFECTIVITY |
| 764Z | | D08030J | | 73-21-11 | TB0248Z | 8 BJ | L2 | | | VK055-VK080, VK171-VK180, VL931-VL940, VN221-VN230, VN491-VN530, VN671-VN675, VN681-VN730, VN931-VN950, VN966-VN967, VN971-VN990, VR421-VR421, VR471-VR471, VS091-VS094, VS206-VS207, |
| 764Z | | D08030J | | 73-21-11 | TB0248Z | 8 BJ | L2 | | | VK161-VK170, VL011-VL040, VL796-VL810, VL871-VL880, VN171-VN190, VN211-VN220, VN241-VN290, VN371-VN420, VN531-VN545, VN551-VN633, VS061-VS061, VS066-VS070, |
| 766 | 24 FK | D08030J | 11 | 27-51-31 | TB0158F A024 | 2 | L2 | 3 | | VK001-VK080, VK131-VK140, VK161-VK190, VL001-VL040, VL751-VL790, VL796-VL805, VL891-VL940, VN001-VN050, VN171-VN190, VN211-VN290, VN301-VN340, VN371-VN650, VN671-VN675, VN681-VN730, VN791-VN810, VN921-VN960, VN966-VN967, VN971-VN990, VR421-VR421, VR461-VR461, VR471-VR471, VS051-VS052, VS061-VS061, VS066-VS070, VS073-VS073, VS091-VS094, VS176-VS177, VS196-VS199, VS206-VS207, VS261-VS262, VS266-VS268, |
| 766 | 24 FK | D08030J | 11 | 27-51-31 | TB0158F A024 | 2 | L2 | 2 | | VL806-VL810, VL871-VL880, VN968-VN970, VS131-VS132, |
| 767 | 24 FK | D08030J | 42 | 27-58-31 | D0267Z | 52 | L2 | 4 | | VK001-VK080, VK131-VK140, VK161-VK190, VL001-VL040, VL751-VL790, VL796-VL805, VL891-VL940, VN001-VN050, VN171-VN190, VN211-VN290, VN301-VN340, VN371-VN650, VN671-VN675, VN681-VN730, VN791-VN810, VN921-VN960, VN966-VN967, VN971-VN990, VR421-VR421, VR461-VR461, VR471-VR471, VS051-VS052, VS061-VS061, VS066-VS070, VS073-VS073, VS091-VS094, VS176-VS177, VS196-VS199, VS206-VS207, VS261-VS262, VS266-VS268, |
| 767 | 24 FK | D08030J | 42 | 27-58-31 | D0267Z | 52 | L2 | 2 | | VL806-VL810, VL871-VL880, VN968-VN970, VS131-VS132, |
| 778 | 24 FK | D02160 | 33 | 73-21-15 | TB0248X C012 | BJ | L2 | 4 | | VK001-VK011, VK021-VK030, |
| 778 | 24 FK | D02160 | 5 | 73-21-15 | TB0248X C012 | BJ | L2 | 4 | | VK012-VK020, VK031-VK054, VK131-VK140, VK181-VK190, VL001-VL010, VL751-VL790, VL891-VL930, VN001-VN050, VN231-VN240, VN301-VN340, VN421-VN490, VN546-VN550, VN634-VN650, VN791-VN810, VN921-VN930, VN951-VN960, VR461-VR461, VS051-VS052, VS073-VS073, VS176-VS177, VS196-VS199, VS261-VS262, VS266-VS268, |

286T1078-300
Wire Bundle Assembly
Figure 106 (Sheet 110)

25-71-01



BOEING
COMPONENT
MAINTENANCE MANUAL

| WIRE | | FROM EQUIPMENT | | | TO EQUIPMENT | | | WIRE INFO | | | |
|--------|--------|----------------|---------|----------|--------------|---------|---------|-----------|-------|--|--|
| NUMBER | GA TYP | NUMBER | TERM TT | WDM REF | NUMBER | TERM TT | EMC/SEP | FT | NOTES | EFFECTIVITY | |
| 778 | 24 FK | D02160 | 27 | 73-21-15 | TB0248X | C012 BJ | L2 | 4 | | VK055-VK080, VK161-VK180, VL011-VL040, VL796-VL805, VL931-VL940, VN171-VN190, VN211-VN230, VN241-VN290, VN371-VN420, VN491-VN545, VN551-VN633, VN671-VN675, VN681-VN730, VN931-VN950, VN966-VN967, VN971-VN990, VR421-VR471, VS061-VS061, VS066-VS070, VS091-VS094, VS206-VS207, | |
| 778 | 24 FK | D02160 | 27 | 73-21-15 | TB0248X | C012 BJ | L2 | 3 | | VL806-VL810, VL871-VL880, | |
| 778 | 24 FK | D02160 | 5 | 73-21-15 | TB0248X | C012 BJ | L2 | 3 | | VN968-VN970, VS131-VS132, | |
| 779 | 24 FK | D02672 | 14 | 31-31-21 | D05209J | 18 | L2 | 4 | | VK001-VK011, VK021-VK030, | |
| 779 | 22 FA | TB0248Y | A004 BJ | 73-21-19 | D08030J | 43 | L2 | 3 | | VK012-VK020, VK031-VK054, VK131-VK140, VK181-VK190, VL001-VL010, VL751-VL790, VL891-VL930, VN001-VN050, VN231-VN240, VN301-VN340, VN421-VN490, VN546-VN550, VN634-VN650, VN791-VN810, VN921-VN930, VN951-VN960, VR461-VR461, VS051-VS052, VS176-VS177, VS196-VS199, VS261-VS262, | |
| 779 | 22 FA | TB0248D | C022 | 73-21-19 | D08030J | 43 | L2 | 3 | | VK055-VK080, VK171-VK180, VL931-VL940, VN221-VN230, VN491-VN530, VN671-VN675, VN681-VN730, VN931-VN950, VN966-VN967, VN971-VN990, VR421-VR421, VR471-VR471, VS091-VS094, VS206-VS207, | |
| 779 | 22 FA | D08030J | 43 | 73-21-19 | TB0248D | C022 | L2 | 2 | | VK161-VK170, VL011-VL040, VL796-VL805, VN171-VN190, VN211-VN220, VN241-VN290, VN371-VN420, VN531-VN545, VN551-VN633, VS061-VS061, VS066-VS070, | |
| 779 | 22 FA | D08030J | 43 | 73-21-19 | TB0248D | C022 | L2 | 2 | | VL806-VL810, VL871-VL880, | |
| 779 | 22 FA | TB0248Y | A004 BJ | 73-21-19 | D08030J | 43 | L2 | 2 | | VN968-VN970, VS131-VS132, | |
| 779 | 22 FA | D08030J | 43 | 73-21-19 | TB0248Y | A004 BJ | L2 | 2 | | VS073-VS073, VS266-VS268, | |
| 780 | 24 FK | D02672 | 16 | 31-31-21 | D05209J | 19 | L2 | 4 | | VK001-VK011, VK021-VK030, | |
| 780 | 22 FA | TB0248D | A022 | 73-21-19 | D08030J | 17 | L2 | 3 | | VK012-VK020, VK031-VK080, VK131-VK140, VK171-VK190, VL001-VL010, VL751-VL790, VL891-VL940, VN001-VN050, VN221-VN240, VN301-VN340, VN471-VN530, VN546-VN550, VN671-VN675, VN681-VN730, VN791-VN810, VN921-VN930, VN951-VN960, VN966-VN967, VN971-VN990, VR421-VR421, VR461-VR461, VR471-VR471, VS051-VS052, VS091-VS094, VS196-VS199, VS206-VS207, VS261-VS262, | |

286T1078-300
Wire Bundle Assembly
Figure 106 (Sheet 111)

25-71-01

| WIRE | | | FROM EQUIPMENT | | | | TO EQUIPMENT | | | | WIRE INFO | | | |
|--------|----|-----|----------------|------|----|----------|--------------|------|----|-------------|-----------|--------|--|--|
| NUMBER | GA | TYP | NUMBER | TERM | TT | WDM REF | NUMBER | TERM | TT | EMC/ SEP | FT | NOTES | EFFECTIVITY | |
| 780 | 22 | PA | D08030J | 17 | | 73-21-19 | TB0248D | A022 | 2 | L2 | 2 | | VK161-VK170, VL011-VL040, VL796-VL805, VN171-VN190, VN211-VN220, VN241-VN290, VN371-VN470, VN531-VN545, VN551-VN650, VS061-VS061, VS066-VS070, VS073-VS073, VS176-VS177, VS266-VS268, | |
| 780 | 22 | PA | D08030J | 17 | | 73-21-19 | TB0248D | A022 | 2 | L2 | 2 | | VL806-VL810, VL871-VL880, | |
| 780 | 22 | PA | TB0248D | A022 | 2 | 73-21-19 | D08030J | 17 | | L2 | 2 | | VN968-VN970, VS131-VS132, | |
| 781 | 22 | PA | D08068J | 49 | | 36-11-51 | SM00001 | | W | L2 | 2 | | VK012-VK020, VK134-VK140, VK181-VK190, VL007-VL010, VL751-VL790, VL891-VL930, VN016-VN050, VN235-VN240, VN257-VN259, VN304-VN340, VN421-VN472, VN491-VN494, VN546-VN550, VN634-VN650, VN791-VN810, VN921-VN930, VN951-VN960, VR461-VR461, VS051-VS052, VS073-VS073, VS176-VS177, VS196-VS199, VS261-VS262, VS266-VS268, | |
| 781 | 22 | PA | D08068J | 49 | | 36-11-51 | SM00001 | | W | L2 | 1 | | VN256-VN256, VN968-VN970, VS131-VS132, | |
| 781 | 22 | PA | D08068J | 49 | | 36-11-51 | SM00001 | | W | L2 | 2 | | VN531-VN532, VN536-VN536, VN541-VN541, VN631-VN632, VN681-VN683, | |
| 901 | 24 | PK | D08112J | 18 | | 21-58-11 | TB0182X | B011 | BJ | L2 | 3 | | VK004-VK030, VK046-VK080, VK131-VK140, VK161-VK190, VL001-VL010, VL012-VL040, VL751-VL790, VL796-VL805, VL891-VL940, VN001-VN050, VN171-VN190, VN211-VN290, VN301-VN340, VN371-VN650, VN671-VN675, VN681-VN730, VN791-VN810, VN921-VN960, VN966-VN967, VN971-VN990, VR421-VR421, VR461-VR461, VR471-VR471, VS051-VS052, VS061-VS061, VS066-VS070, VS073-VS073, VS091-VS094, VS176-VS177, VS196-VS199, VS206-VS207, VS261-VS262, VS266-VS268, | |
| 901 | 24 | PK | D08112J | 18 | | 21-58-11 | TB0182X | B011 | BJ | L2 | 3 | ZSZ-B6 | VL011-VL011, | |
| 901 | 24 | PK | D08112J | 18 | | 21-58-11 | TB0182X | B011 | BJ | L2 | 2 | | VL806-VL810, VL871-VL880, VN968-VN970, VS131-VS132, | |

286T1078-300
Wire Bundle Assembly
Figure 106 (Sheet 112)

25-71-01

TESTING & FAULT ISOLATION
01
Page 124B
Nov 01/02



BOEING
COMPONENT
MAINTENANCE MANUAL

| WIRE | | | FROM EQUIPMENT | | | | TO EQUIPMENT | | | | WIRE INFO | | | |
|--------|----|-----|----------------|------|----|----------|--------------|------|----|---------|-----------|--------|--|--|
| NUMBER | GA | TYP | NUMBER | TERM | TT | WDM REF | NUMBER | TERM | TT | EMC/SEP | FT | NOTES | EFFECTIVITY | |
| PA1 | | | D03742 | 26 | | 99-99-99 | D03742 | 34 | | L2 | | DAW-B2 | | |
| PB1 | | | D01884 | 25 | | 99-99-99 | D01884 | 35 | | L2 | | DAW-B2 | | |
| PC1 | | | D03738 | 22 | | 99-99-99 | D03738 | 38 | | L2 | | DAW-B2 | VF011-VF011, VK081-VK089, VN051-VN054, VN081-VN088 | |
| PD1 | | | D01886 | 41 | | 36-11-51 | D01886 | 63 | | L2 | | DAW-B2 | VN089-VN110, VS186-VS187 | |
| PD1 | | | D01886 | 9 | | 36-11-51 | D01886 | 51 | | L2 | | DAW-B2 | VF011-VF011, VK081-VK089, VN051-VN054, VN081-VN085 | |
| PE1 | | | D02672 | 47 | | 27-58-21 | D02672 | 66 | | L2 | | DAW-B2 | VN086-VN110, VS186-VS187 | |
| PE1 | | | D02672 | 47 | | 27-58-21 | D02672 | 64 | | L2 | | DAW-B2 | | |
| PF1 | | | D02160 | 6 | | 73-21-15 | D02160 | 65 | | L2 | | DAW-B2 | | |
| S03 | | SL | D01884 | | | | | | | R2 | 2 | ISL-F2 | | |
| S29 | | SL | D08112J | | | | | | | R2 | 1 | ISL-F2 | | |
| S34 | | SY | D02160 | | | | | | | R2 | 1 | ISY-F2 | | |
| S65 | | SL | D02160 | | | | | | | R2 | 1 | ISL-F2 | | |
| 1 | 24 | PK | TB0158Y | A006 | BJ | 21-51-11 | D04978J | 6 | | L2 | 3 | | VF011-VF011, VK081-VK089, VN051-VN054, VN081-VN085 | |
| 2 | 22 | PA | D01884 | 21 | | 21-51-11 | GDX0001 | D.. | 2 | L2 | 3 | | | |
| 3 | 24 | PK | D01884 | 13 | | 21-51-11 | TB0248Y | C004 | BJ | L2 | 4 | | | |
| 4 | 24 | PK | D01884 | 14 | | 21-51-11 | D04978J | 19 | | L2 | 3 | | | |
| 5 | 24 | PK | D01884 | 8 | | 21-51-11 | D04978J | 18 | | L2 | 3 | | | |
| 6 | 24 | PK | D01884 | 7 | | 21-51-11 | D04978J | 17 | | L2 | 3 | | VF011-VF011, VN086-VN110, VS186-VS187 | |
| 7 | 24 | PK | D01884 | 36 | | 21-51-11 | TB0158Y | A004 | BJ | L2 | 4 | | VN081-VK089, VN051-VN054, VN081-VN085 | |
| 7 | 24 | PK | D01884 | 36 | | 21-51-11 | TB0158G | 3 | 2 | L2 | 4 | | VF011-VF011, VN086-VN110, VS186-VS187 | |
| 8 | 24 | PK | D01884 | 15 | | 21-51-21 | TB0158Y | C004 | BJ | L2 | 4 | | VN081-VK089, VN051-VN054, VN081-VN085 | |
| 8 | 24 | PK | D01884 | 15 | | 21-51-21 | TB0158G | 4 | 2 | L2 | 4 | | | |
| 9 | 24 | PK | D01884 | 17 | | 21-51-11 | D04978J | 15 | | L2 | 3 | | VK081-VK084 | |
| 01A | 22 | PA | D08068J | 52 | | 27-51-51 | TB0248Y | C003 | BJ | L2 | 3 | | | |
| 10 | 24 | PK | D05209J | 12 | | 31-51-42 | TB0182D | A019 | 2 | L2 | 3 | | | |
| 11 | 24 | PK | D01886 | 55 | | 36-11-51 | SM00002 | | W | L2 | 3 | | | |
| 12 | 24 | PK | D01884 | 3 | | 21-51-11 | TB0158G | 9 | 2 | L2 | 4 | | | |
| 14 | 24 | PK | D01884 | 4 | | 21-51-11 | TB0158Y | C006 | BJ | L2 | 4 | | | |

286T1078-301
Wire Bundle Assembly
Figure 107 (Sheet 1)

25-71-01



COMPONENT
MAINTENANCE MANUAL

| WIRE | | FROM EQUIPMENT | | | TO EQUIPMENT | | | WIRE INFO | | | | | |
|--------|----|----------------|---------|------|--------------|----------|---------|-----------|----|---------|----|-------|--|
| NUMBER | GA | TYP | NUMBER | TERM | TT | WDM REF | NUMBER | TERM | TT | EMC/SEP | FT | NOTES | EFFECTIVITY |
| 15 | 24 | PK | D01884 | 5 | | 21-51-11 | TB0158Y | A005 | BJ | L2 | 4 | | |
| 16 | 24 | PK | D01884 | 22 | | 21-51-11 | D04978J | 20 | | L2 | 3 | | |
| 17 | 24 | PK | D01884 | 1 | | 21-51-11 | D04978J | 21 | | L2 | 3 | | VF011-VF011, VK081-VK089, VN051-VN054, VN081-VN093 |
| 18 | 24 | PK | D01884 | 27 | | 21-51-11 | TB0182D | A023 | 2 | L2 | 4 | | VN094-VN110, VS186-VS187 |
| 18 | 24 | PK | D01884 | 27 | | 21-51-11 | TB0182F | A023 | 2 | L2 | 4 | | |
| 19 | 24 | PK | D01884 | 6 | | 21-51-11 | TB0158F | C024 | 2 | L2 | 4 | | |
| 20 | 22 | PA | D01884 | 28 | | 21-51-11 | TB0182Y | C004 | BJ | L2 | 4 | | |
| 21 | 24 | PK | D01884 | 31 | | 21-25-11 | D04978J | 5 | | L2 | 3 | | |
| 22 | 24 | PK | D01884 | 9 | | 21-53-11 | D04978J | 24 | | L2 | 3 | | |
| 23 | 24 | PK | D01884 | 26 | | 21-53-12 | TB0158F | A012 | 2 | R2 | 4 | | |
| 24 | 24 | PK | D01884 | 19 | | 21-51-11 | TB0158Y | A006 | BJ | L2 | 4 | | |
| 25 | 24 | PK | D01884 | 2 | | 21-51-11 | D08068J | 20 | | L2 | 3 | | |
| 26 | 24 | PK | D01884 | 32 | | 73-21-15 | TB0248X | D012 | BJ | L2 | 4 | | |
| 27 | 24 | PK | D02160 | 47 | | 73-21-15 | D01884 | 18 | | L2 | 3 | | VF011-VF011, VN086-VN110, VS186-VS187 |
| 28 | 22 | PA | D01884 | 10 | | 21-51-11 | TB0158Y | A001 | BJ | L2 | 4 | | VK081-VK089, VN051-VN054, VN081-VN085 |
| 28 | 22 | PA | D01884 | 10 | | 21-51-11 | TB0158G | 13 | 2 | L2 | 4 | | VF011-VF011, VN086-VN110, VS186-VS187 |
| 29 | 24 | PK | D02160 | 66 | | 73-21-15 | TB0158G | 10 | 2 | L2 | 4 | | VK081-VK089, VN051-VN054, VN081-VN085 |
| 30 | 24 | PK | D01884 | 12 | | 21-51-11 | TB0158Y | C001 | BJ | L2 | 4 | | VF011-VF011, VN086-VN110, VS186-VS187 |
| 30 | 24 | PK | D01884 | 12 | | 21-51-11 | TB0158G | 14 | 2 | L2 | 4 | | VK081-VK089, VN051-VN054, VN081-VN085 |
| 31 | 24 | PK | TB0158Y | A004 | BJ | 21-51-11 | D04978J | 16 | | L2 | 4 | | VF011-VF011, VN086-VN110, VS186-VS187 |
| 31 | 24 | PK | TB0158G | 3 | 2 | 21-51-11 | D04978J | 16 | | L2 | 3 | | VK081-VK089, VN051-VN054, VN081-VN085 |
| 32 | 24 | PK | TB0158Y | C001 | BJ | 21-51-11 | D08112J | 15 | | L2 | 3 | | VF011-VF011, VN086-VN110, VS186-VS187 |
| 32 | 24 | PK | TB0158G | 14 | 2 | 21-51-11 | D08112J | 15 | | L2 | 3 | | VK081-VK089, VN051-VN054, VN081-VN085 |
| 34 | 24 | PK | TB0158G | 9 | 2 | 21-51-11 | D04978J | 10 | | L2 | 3 | | VF011-VF011, VN086-VN110, VS186-VS187 |
| 35 | 24 | PK | D08068J | 48 | | SPARE | TB0158Y | C006 | BJ | L2 | 3 | | VK081-VK089, VN051-VN054, VN081-VN085 |
| 35 | 24 | PK | D08068J | 48 | | 21-51-11 | TB0158Y | C006 | BJ | L2 | 3 | | VF011-VF011, VN086-VN110, VS186-VS187 |
| 36 | 22 | PA | TB0182Y | C004 | BJ | 21-51-11 | D04978J | 23 | | L2 | 3 | | VK081-VK089, VN051-VN054, VN081-VN085 |
| 38 | 24 | PK | D03738 | 24 | | 21-51-23 | D08068J | 45 | | L2 | 3 | | |
| 39 | 22 | PA | TB0158Y | A001 | BJ | 21-51-11 | D04978J | 22 | | L2 | 4 | | |

286T1078-301

Wire Bundle Assembly
Figure 107 (Sheet 2)

25-71-01

TESTING & FAULT ISOLATION
01
Page 124D
Nov 01/02



BOEING
COMPONENT
MAINTENANCE MANUAL

| WIRE | | | FROM EQUIPMENT | | | TO EQUIPMENT | | | WIRE INFO | | | | |
|--------|----|-----|----------------|------|----|--------------|---------|------|-----------|---------|----|-------|-------------|
| NUMBER | GA | TYP | NUMBER | TERM | TT | WDM REF | NUMBER | TERM | TT | EMC/SEP | FT | NOTES | EFFECTIVITY |
| 39 | 22 | PA | TB0158G | 13 | 2 | 21-51-11 | D04978J | 22 | | L2 | 3 | | |
| 40 | 24 | PK | D03742 | 1 | | 21-25-11 | D04978J | 2 | | L2 | 3 | | |
| 41 | 22 | PA | D03742 | 3 | | 21-25-11 | GDX0001 | D.. | 2 | L2 | 3 | | |
| 42 | 24 | PK | D03742 | 24 | | 21-25-11 | D04978J | 1 | | L2 | 3 | | |
| 43 | 22 | PA | D03742 | 4 | | 21-25-11 | GDX0001 | D.. | 2 | L2 | 3 | | |
| 44 | 24 | PK | D03742 | 22 | | 21-25-11 | D04978J | 3 | | L2 | 3 | | |
| 45 | 24 | PK | D03742 | 23 | | 21-25-11 | D04978J | 4 | | L2 | 3 | | |
| 46 | 24 | PK | D03742 | 7 | | 21-26-11 | D08068J | 50 | | L2 | 3 | | |
| 47 | 22 | PA | D03742 | 9 | | 21-26-11 | GDX0001 | D.. | 2 | L2 | 3 | | |
| 48 | 24 | PK | D03742 | 28 | | 21-26-11 | D08068J | 15 | | L2 | 3 | | |
| 49 | 24 | PK | D03742 | 8 | | 21-26-11 | D08068J | 18 | | L2 | 3 | | |
| 50 | 24 | PK | D03742 | 6 | | 21-26-11 | D08068J | 16 | | L2 | 3 | | |
| 51 | 24 | PK | D03742 | 27 | | 21-26-11 | D08068J | 19 | | L2 | 3 | | |
| 52 | 24 | PK | D03742 | 36 | | 21-26-11 | TB0158F | A017 | 2 | L2 | 4 | | |
| 53 | 24 | PK | D03742 | 13 | | 21-58-14 | D08112J | 33 | | L2 | 4 | | |
| 54 | 22 | PA | D03742 | 15 | | 21-58-14 | GDX0001 | D.. | 2 | L2 | 3 | | |
| 55 | 24 | PK | TB0158G | 27 | 2 | 21-58-14 | D08068J | 46 | | L2 | 2 | | |
| 56 | 24 | PK | D03742 | 33 | | 21-58-14 | D08112J | 10 | | L2 | 3 | | |
| 57 | 24 | PK | D03742 | 11 | | 21-58-14 | D08112J | 8 | | L2 | 3 | | |
| 58 | 24 | PK | D03742 | 32 | | 21-58-14 | D08112J | 11 | | L2 | 3 | | |
| 59 | 24 | PK | D03742 | 14 | | 21-58-14 | TB0158F | C017 | 2 | L2 | 4 | | |
| 61 | 24 | PK | D01886 | 5 | | 36-11-51 | D08112J | 28 | | L2 | 3 | | |
| 62 | 24 | PK | D03742 | 35 | | 21-26-11 | D08112J | 13 | | L2 | 3 | | |
| 63 | 24 | PK | TB0158F | C020 | 2 | 21-58-14 | D03742 | 38 | | L2 | 4 | | |
| 64 | 24 | PK | D03738 | 19 | | 21-53-22 | D04978J | 30 | | L2 | 3 | | |
| 65 | 22 | PA | D03738 | 21 | | 21-53-22 | GDX0001 | D.. | 2 | L2 | 3 | | |
| 66 | 24 | PK | D03738 | 6 | | 21-53-22 | D04978J | 25 | | L2 | 3 | | |
| 67 | 24 | PK | D03738 | 3 | | 21-53-22 | TB0182X | C011 | BJ | L2 | 4 | | |
| 68 | 24 | PK | D03738 | 37 | | 21-53-22 | D04978J | 27 | | L2 | 3 | | |
| 69 | 24 | PK | D03738 | 36 | | 21-53-22 | D04978J | 28 | | L2 | 3 | | |
| 70 | 24 | PK | D03738 | 35 | | 21-53-22 | D04978J | 29 | | L2 | 3 | | |

286T1078-301
Wire Bundle Assembly
Figure 107 (Sheet 3)

25-71-01

TESTING & FAULT ISOLATION
01

Page 124E
Nov 01/02

| WIRE | | | FROM EQUIPMENT | | | | TO EQUIPMENT | | | | WIRE INFO | | | |
|--------|----|-----|----------------|------|----|----------|--------------|------|----|-------------|-----------|-------|--|--|
| NUMBER | GA | TYP | NUMBER | TERM | TT | WDM REF | NUMBER | TERM | TT | EMC/ SEP | FT | NOTES | EFFECTIVITY | |
| 71 | 24 | PK | D03738 | 8 | | 21-53-22 | TB0158F | C012 | 2 | L2 | 4 | | | |
| 72 | 24 | PK | D03738 | 4 | | 21-53-22 | D08068J | 12 | | L2 | 3 | | | |
| 73 | 24 | PK | D03738 | 10 | | 21-53-22 | D08068J | 13 | | L2 | 3 | | | |
| 74 | 24 | PK | D03738 | 7 | | 21-53-22 | D08068J | 10 | | L2 | 3 | | | |
| 75 | 24 | PK | D03738 | 11 | | 21-53-22 | D08068J | 11 | | L2 | 3 | | | |
| 76 | 24 | PK | D03738 | 12 | | 21-53-22 | D08068J | 8 | | L2 | 3 | | | |
| 77 | 24 | PK | D03738 | 9 | | 21-53-22 | D08068J | 9 | | L2 | 3 | | | |
| 78 | 24 | PK | D03738 | 16 | | 21-53-22 | D08068J | 6 | | L2 | 3 | | | |
| 79 | 24 | PK | D03738 | 14 | | 21-53-22 | D08068J | 5 | | L2 | 3 | | | |
| 80 | 24 | PK | D03738 | 15 | | 21-53-22 | D08068J | 4 | | L2 | 3 | | | |
| 81 | 24 | PK | D03738 | 13 | | 21-53-22 | D08068J | 3 | | L2 | 3 | | | |
| 82 | 24 | PK | D03738 | 18 | | 21-53-22 | D08068J | 2 | | L2 | 3 | | | |
| 83 | 24 | PK | D03738 | 17 | | 21-53-22 | D08068J | 1 | | L2 | 3 | | | |
| 84 | 24 | PK | D03738 | 5 | | 21-53-22 | D08068J | 7 | | L2 | 3 | | | |
| 85 | 22 | PA | D01886 | 60 | | 36-11-51 | SM00001 | | W | L2 | 3 | | | |
| 86 | 22 | PA | D01886 | 40 | | 36-11-51 | D08068J | 42 | | L2 | 3 | | | |
| 87 | 22 | PA | D01886 | 39 | | 36-11-51 | D08068J | 41 | | L2 | 3 | | | |
| 88 | 22 | PA | TB0248Y | A004 | BJ | 73-21-19 | D08030J | 15 | | L2 | 3 | | | |
| 89 | 22 | PA | TB0248D | C022 | 2 | 73-21-19 | TB0248Y | A004 | BJ | L2 | 2 | | VK081-VK089, VN051-VN054, VN081-VN110, VS186-VS187 | |
| 90 | 24 | PK | D08068J | 55 | | 21-51-11 | TB0158Y | A005 | BJ | L2 | 3 | | | |
| 92 | 24 | PK | D01886 | 20 | | 36-11-51 | D08068J | 25 | | L2 | 3 | | | |
| 93 | 22 | PA | D01886 | 35 | | 36-11-51 | D08068J | 22 | | L2 | 3 | | | |
| 94 | 24 | PK | D01886 | 53 | | 36-11-51 | TB0158Y | C005 | BJ | L2 | 4 | | | |
| 95 | 24 | PK | D01886 | 28 | | 36-11-61 | D08068J | 34 | | L2 | 3 | | | |
| 97 | 24 | PK | D01886 | 52 | | 36-11-51 | D08068J | 23 | | L2 | 3 | | | |
| 99 | 22 | PA | D01886 | 2 | | 36-22-11 | D08030J | 44 | | L2 | 3 | | | |
| 100 | 22 | PA | D01886 | 31 | | 36-11-61 | D08068J | 31 | | L2 | 3 | | | |
| 101 | 24 | PK | D01886 | 1 | | 36-11-61 | D08068J | 35 | | L2 | 3 | | | |
| 102 | 22 | PA | D01886 | 56 | | 36-11-61 | D08068J | 33 | | L2 | 3 | | | |
| 103 | 24 | PK | D01886 | 58 | | 36-11-61 | D08068J | 32 | | L2 | 3 | | | |

286T1078-301
Wire Bundle Assembly
Figure 107 (Sheet 4)

25-71-01



BOEING
COMPONENT
MAINTENANCE MANUAL

| WIRE | | FROM EQUIPMENT | | | TO EQUIPMENT | | | WIRE INFO | | | |
|--------|----|----------------|---------|---------|--------------|---------|---------|-----------|----|--------|--|
| NUMBER | GA | TYP | NUMBER | TERM TT | WDM REF | NUMBER | TERM TT | EMC/ SEP | FT | NOTES | EFFECTIVITY |
| 104 | 22 | PA | SM00007 | W | 36-11-61 | D08068J | 36 | L2 | 2 | | |
| 105 | 24 | PK | D01886 | 64 | 36-11-41 | TB0248Y | A003 | L2 | 4 | | |
| 106 | 24 | PK | TB0158Y | C005 | 36-11-51 | D08068J | 26 | L2 | 3 | | |
| 107 | 24 | PK | TB0158Y | C005 | 36-11-51 | D08068J | 29 | L2 | 3 | | |
| 108 | 22 | PA | TB0182Y | A002 | 21-58-11 | D08112J | 34 | R2 | 2 | | VF011-VF011, VK081-VK089, VN051-VN054, VN081-VN092 |
| 109 | 22 | PQ | D02160 | 56 | 73-21-16 | TB0182X | B015 | L2 | 4 | | VN093-VN110, VS186-VS187 |
| 109 | 22 | PA | D02160 | 56 | 73-21-16 | TB0182X | B015 | L2 | 4 | | VF011-VF011, VK081-VK089, VN051-VN054, VN081-VN092 |
| 109Z | | | D02160 | | 73-21-16 | TB0182X | C015 | L2 | | | |
| 110 | 24 | PK | D08068J | 47 | 28-22-12 | TB0248X | D001 | L2 | 3 | | |
| 111 | 22 | PA | D02672 | 26 | 22-24-11 | D05277J | 1 | L2 | 3 | | |
| 112 | 24 | PK | D02672 | 22 | 22-12-11 | D05277J | 22 | L2 | 3 | | |
| 113 | 24 | PK | D02672 | 23 | 22-12-11 | D05277J | 23 | L2 | 3 | | |
| 114 | 24 | PK | D08112J | 14 | 21-51-11 | TB0248Y | C004 | L2 | 3 | | VF011-VF011, VK081-VK089 |
| 114 | 24 | PK | D08112J | 14 | 21-51-11 | TB0248Y | CAP | L2 | 3 | ZSZ-B6 | VN051-VN054 |
| 114 | 24 | PK | D08112J | 14 | 21-51-11 | TB0248Y | C004 | L2 | 3 | EEC-T2 | VN081-VN085 |
| 115 | 22 | PA | D02672 | 8 | 27-58-21 | GDX0001 | A.. | L2 | 4 | | |
| 116 | 24 | PK | D03742 | 29 | 21-26-11 | TB0158F | A020 | L2 | 3 | | |
| 117 | 24 | PK | D02672 | 7 | 27-58-21 | D08030J | 29 | L2 | 3 | | |
| 120 | 24 | PK | D02672 | 38 | 22-12-11 | D05277J | 24 | L2 | 3 | | |
| 121 | 24 | PK | D02672 | 39 | 22-12-11 | D05277J | 25 | L2 | 3 | | |
| 122 | 22 | PA | D02672 | 28 | 73-21-19 | D08030J | 32 | L2 | 3 | | |
| 124 | 22 | PA | D02160 | 62 | 73-21-19 | TB0248Y | A004 | L2 | 4 | | |
| 125 | 22 | PA | D02160 | 30 | 73-21-19 | D08030J | 14 | R2 | 4 | | |
| 126 | 22 | PA | D02160 | 32 | 73-21-19 | D08030J | 30 | L2 | 3 | | |
| 127 | 22 | PA | D02160 | 43 | 73-21-17 | GDX0001 | D.. | L2 | 4 | | |
| 130 | 24 | PK | D02160 | 41 | 22-32-13 | D05277J | 11 | L2 | 3 | | |
| 135 | 24 | PK | D05209J | 20 | 31-51-42 | TB0182D | A026 | L2 | 3 | | |
| 136 | 24 | PK | D08068J | 30 | 36-11-41 | TB0248Y | A003 | L2 | 3 | | |
| 137 | 24 | PK | TB0182X | D015 | 73-21-16 | D02160 | 61 | L2 | 4 | | |

286T1078-301
Wire Bundle Assembly
Figure 107 (Sheet 5)

25-71-01

TESTING & FAULT ISOLATION
01 Page 124G
Nov 01/02

| WIRE | | | FROM EQUIPMENT | | | TO EQUIPMENT | | | WIRE INFO | | | | |
|--------|----|-----|----------------|------|----|--------------|---------|------|-----------|-------------|----|-------|--|
| NUMBER | GA | TYP | NUMBER | TERM | TT | WDM REF | NUMBER | TERM | TT | EMC/ SEP | FT | NOTES | EFFECTIVITY |
| 140 | 24 | PK | D02160 | 9 | | 73-21-17 | D08030J | 36 | | L2 | 3 | | VF011-VF011, VK081-VK089, VN051-VN054, VN081-VN092 |
| 141 | 24 | PK | D02160 | 36 | | 73-21-16 | D08030J | 34 | | L2 | 3 | | VF011-VF011, VK081-VK089, VN051-VN054, VN081-VN092 |
| 142 | 24 | PV | D02160 | 1 | | 73-21-16 | D08030J | 8 | | L2 | 3 | | VF011-VF011, VK081-VK089, VN051-VN054, VN081-VN092 |
| 142 | 24 | PK | D02160 | 1 | | 73-21-16 | D08030J | 8 | | L2 | 3 | | VF011-VF011, VK081-VK089, VN051-VN054, VN081-VN092 |
| 142Z | | | D02160 | | | 73-21-16 | D08030J | 5 | | L2 | | | VF011-VF011, VK081-VK089, VN051-VN054, VN081-VN092 |
| 143 | 24 | PK | D02160 | 2 | | 22-32-13 | D05277J | 8 | | L2 | 3 | | VF011-VF011, VK081-VK089, VN051-VN054, VN081-VN092 |
| 144 | 24 | PK | D02160 | 26 | | 73-21-17 | TB0182X | D012 | BJ | R2 | 4 | | VF011-VF011, VK081-VK089, VN051-VN054, VN081-VN092 |
| 145 | 24 | PK | D02160 | 15 | | 22-32-13 | D05277J | 10 | | L2 | 3 | | VF011-VF011, VK081-VK089, VN051-VN054, VN081-VN092 |
| 146 | 24 | PK | D02160 | 49 | | 73-21-17 | D08030J | 37 | | R2 | 3 | | VF011-VF011, VK081-VK089, VN051-VN054, VN081-VN092 |
| 147 | 24 | PV | D02160 | 19 | | 73-21-15 | TB0248Y | A007 | BJ | L2 | 4 | | VF011-VF011, VK081-VK089, VN051-VN054, VN081-VN092 |
| 147 | 24 | PK | D02160 | 19 | | 73-21-15 | TB0182G | 24 | 2 | L2 | 4 | | VF011-VF011, VK081-VK089, VN051-VN054, VN081-VN092 |
| 147Z | | | D02160 | | | 73-21-15 | TB0248Y | A008 | BJ | L2 | | | VF011-VF011, VK081-VK089, VN051-VN054, VN081-VN092 |
| 148 | 24 | PV | D02160 | 55 | | 73-21-15 | TB0182X | C014 | BJ | L2 | 4 | | VF011-VF011, VK081-VK089, VN051-VN054, VN081-VN092 |
| 148 | 24 | PK | D02160 | 55 | | 73-21-15 | TB0182Y | A014 | BJ | L2 | 4 | | VF011-VF011, VK081-VK089, VN051-VN054, VN081-VN092 |
| 148Z | | | D02160 | | | 73-21-15 | TB0182X | C013 | BJ | L2 | | | VF011-VF011, VK081-VK089, VN051-VN054, VN081-VN092 |
| 155 | 24 | PK | D02160 | 44 | | 73-21-15 | TB0158F | C026 | 2 | L2 | 4 | | VF011-VF011, VK081-VK089, VN051-VN054, VN081-VN092 |
| 156 | 24 | PK | D08068J | 51 | | 30-31-11 | TB0248Y | C013 | BJ | L2 | 3 | | VF011-VF011, VK081-VK089, VN051-VN054, VN081-VN092 |
| 157 | 22 | PA | D08068J | 17 | | 36-11-51 | TB0248X | B002 | BJ | L2 | 3 | | VF011-VF011, VK081-VK089, VN051-VN054, VN081-VN092 |
| 161 | 24 | PK | D08112J | 22 | | 73-21-18 | TB0182X | A008 | BJ | L2 | 3 | | VF011-VF011, VK081-VK089, VN051-VN054, VN081-VN092 |
| 162 | 22 | PA | D02160 | 31 | | 73-21-19 | TB0182X | A011 | BJ | L2 | 4 | | VF011-VF011, VK081-VK089, VN051-VN054, VN081-VN092 |
| 162 | 22 | PA | D02160 | 31 | | 73-21-19 | TB0182Y | C006 | BJ | L2 | 4 | | VF011-VF011, VK081-VK089, VN051-VN054, VN081-VN092 |
| 164 | 24 | PV | D02160 | 57 | | 73-21-15 | TB0248Y | C007 | BJ | L2 | 4 | | VF011-VF011, VK081-VK089, VN051-VN054, VN081-VN092 |

286T1078-301
Wire Bundle Assembly
Figure 107 (Sheet 6)

25-71-01



BOEING
COMPONENT
MAINTENANCE MANUAL

| WIRE | | | FROM EQUIPMENT | | | TO EQUIPMENT | | | WIRE INFO | | | |
|--------|----|-----|----------------|---------|----------|--------------|---------|---------|-----------|-------|--|--|
| NUMBER | GA | TYP | NUMBER | TERM TT | WDM REF | NUMBER | TERM TT | EMC/SEP | FT | NOTES | EFFECTIVITY | |
| 164 | 24 | PK | D02160 | 57 | 73-21-15 | TB0182Y | A003 BJ | L2 | 4 | | VF011-VF011, VK081-VK089, VN051-VN054, VN081-VN092 | |
| 164Z | | | D02160 | | 73-21-15 | TB0248Y | C008 BJ | L2 | | | | |
| 165 | 24 | PK | D02160 | 13 | 22-32-13 | D05277J | 9 | L2 | 3 | | VF011-VF011, VK081-VK089, VN051-VN054, VN081-VN092 | |
| 166 | 24 | PV | D02160 | 3 | 73-21-15 | D08030J | 12 | L2 | 3 | | VN093-VN110, VS186-VS187 | |
| 166 | 24 | PK | D02160 | 3 | 73-21-15 | D08030J | 12 | L2 | 3 | | VF011-VF011, VK081-VK089, VN051-VN054, VN081-VN092 | |
| 166Z | | | D02160 | | 73-21-15 | D08030J | 9 | L2 | | | | |
| 167 | 24 | PK | D02160 | 38 | 73-21-15 | TB0182Y | C005 BJ | R2 | 4 | | | |
| 168 | 24 | PK | D02160 | 4 | 22-32-13 | D05277J | 12 | L2 | 3 | | | |
| 169 | 24 | PK | D02160 | 22 | 73-21-15 | TB0182Y | C005 BJ | L2 | 4 | | | |
| 171 | 24 | PK | D02160 | 33 | 73-21-15 | TB0158G | 10 2 | L2 | 4 | | | |
| 174 | 24 | PK | D02160 | 53 | 73-21-15 | TB0158F | A015 2 | L2 | 4 | | | |
| 175 | 24 | PK | D02160 | 54 | 73-21-15 | TB0158F | C015 2 | L2 | 4 | | | |
| 176 | 24 | PK | D08112J | 25 | 36-11-52 | TB0248X | A011 BJ | L2 | 3 | | | |
| 177 | 24 | PK | D08112J | 4 | 36-11-61 | D01886 | 37 | L2 | 3 | | | |
| 178 | 24 | PK | D02160 | 37 | 34-61-13 | TB0182Y | A005 BJ | L2 | 4 | | | |
| 179 | 24 | PK | D02160 | 7 | 34-61-13 | TB0182Y | A004 BJ | L2 | 4 | | | |
| 180 | 24 | PK | D02160 | 45 | 34-61-13 | TB0182Y | A009 BJ | L2 | 4 | | | |
| 181 | 24 | PK | D02160 | 25 | 34-61-13 | TB0182Y | C009 BJ | L2 | 4 | | | |
| 182 | 24 | PK | D02160 | 35 | 34-61-13 | TB0182Y | A010 BJ | L2 | 4 | | | |
| 184 | 24 | PV | TB0158Y | A003 BJ | 34-61-13 | D05209J | 1 | R2 | 4 | | VF011-VF011, VN086-VN110, VS186-VS187 | |
| 184 | 24 | PV | TB0158G | 1 | 34-61-13 | D05209J | 1 | R2 | 3 | | VN093 | |
| 184Z | | | TB0158G | DED | 34-61-13 | D05209J | DED | L2 | | | VN094-VN110, VS186-VS187 | |
| 184Z | | | TB0158Y | DED | 34-61-13 | D05209J | DED | L2 | | | | |
| 185 | 24 | PV | TB0158G | 18 2 | 34-61-13 | D05209J | 2 | R2 | 3 | | | |
| 185Z | | | TB0158G | DED | 34-61-13 | D05209J | DED | L2 | | | | |
| 186 | 24 | PV | TB0158G | 21 2 | 34-61-13 | D05209J | 3 | R2 | 3 | | | |
| 186Z | | | TB0158G | DED | 34-61-13 | D05209J | DED | L2 | | | | |

286T1078-301
Wire Bundle Assembly
Figure 107 (Sheet 7)

25-71-01

TESTING & FAULT ISOLATION
01

Page 124I
Nov 01/02

| WIRE | | | FROM EQUIPMENT | | | TO EQUIPMENT | | | WIRE INFO | | | | |
|--------|----|-----|----------------|------|----|--------------|---------|------|-----------|---------|----|-------|--------------------------|
| NUMBER | GA | TYP | NUMBER | TERM | TT | WDM REF | NUMBER | TERM | TT | EMC/SEP | FT | NOTES | EFFECTIVITY |
| 187 | 24 | PV | TB0158G | 22 | 2 | 34-61-13 | D05209J | 4 | | R2 | 3 | | |
| 187Z | | | TB0158G | DED | | 34-61-13 | D05209J | DED | | L2 | | | |
| 188 | 24 | PV | TB0158G | 23 | 2 | 34-61-13 | D05209J | 5 | | R2 | 3 | | |
| 188Z | | | TB0158G | DED | | 34-61-13 | D05209J | DED | | L2 | | | |
| 189 | 24 | PK | TB0182Y | A005 | BJ | 34-61-13 | D05209J | 6 | | L2 | 3 | | |
| 190 | 24 | PK | TB0182Y | A004 | BJ | 34-61-13 | D05209J | 7 | | L2 | 3 | | |
| 191 | 24 | PK | TB0182Y | A009 | BJ | 34-61-13 | D05209J | 8 | | L2 | 3 | | |
| 192 | 24 | PK | TB0182Y | C009 | BJ | 34-61-13 | D05209J | 9 | | L2 | 3 | | |
| 193 | 24 | PK | TB0182Y | A010 | BJ | 34-61-13 | D05209J | 10 | | L2 | 3 | | |
| 194 | 24 | PK | D02672 | 29 | | 27-58-21 | TB0248D | C017 | 2 | L2 | 4 | | |
| 195 | 24 | PK | D08112J | 5 | | 36-11-62 | TB0248X | B011 | BJ | L2 | 3 | | |
| 197 | 22 | PA | D02672 | 43 | | 27-58-21 | GDX0001 | D.. | 2 | L2 | 3 | | |
| 198 | 22 | PA | TB0248D | A018 | 2 | 27-61-11 | D05277J | 16 | | L2 | 3 | | VF011-VF011, VN081-VN092 |
| 199 | 20 | UA | D02160 | | | 73-21-15 | GDX0001 | S... | 2 | L2 | 3 | | VK081-VK089, VN051-VN054 |
| 199 | 20 | UA | D02160 | | | 73-21-15 | GDX0001 | S... | 2 | L2 | 3 | | |
| 201B | 24 | PL | D02672 | 18 | | 27-58-31 | D08030J | 20 | | L2 | 3 | | |
| 201R | 24 | PL | D02672 | 17 | | 27-58-31 | D08030J | 21 | | L2 | 3 | | |
| 202B | 24 | PL | D02672 | 21 | | 22-32-13 | D05277J | 21 | | L2 | 3 | | |
| 202R | 24 | PL | D02672 | 19 | | 22-32-13 | D05277J | 20 | | L2 | 3 | | |
| 203B | 24 | PL | D02672 | 9 | | 27-58-21 | D08030J | 22 | | L2 | 3 | | |
| 203R | 24 | PL | D02672 | 10 | | 27-58-21 | D08030J | 23 | | L2 | 3 | | |
| 204B | 22 | PB | D02672 | 41 | | 27-41-11 | D05277J | 5 | | L2 | 3 | | |
| 204R | 22 | PB | D02672 | 40 | | 27-41-11 | D05277J | 4 | | L2 | 3 | | |
| 207B | 24 | PL | TB0158F | A019 | 2 | 27-51-31 | D08030J | 18 | | L2 | 3 | | |
| 207R | 24 | PL | TB0158F | C019 | 2 | 27-51-31 | D08030J | 19 | | L2 | 3 | | |
| 208B | 24 | PL | D02672 | 35 | | 27-58-21 | D05277J | 32 | | L2 | 3 | | |
| 208R | 24 | PL | D02672 | 31 | | 27-58-21 | D05277J | 33 | | L2 | 3 | | |
| 211B | 24 | PW | D08030J | 40 | | 77-12-12 | TB0182X | B007 | BJ | L2 | 3 | | |
| 211R | 24 | PW | D08030J | 38 | | 77-12-12 | TB0182X | A007 | BJ | L2 | 3 | | |
| 211Z | 24 | PW | D08030J | 49 | | 77-12-12 | TB0182X | D008 | BJ | L2 | 3 | | |
| 212B | 24 | PW | D04978J | 39 | | 77-12-12 | TB0248X | B016 | BJ | L2 | 3 | | |

286T1078-301
Wire Bundle Assembly
Figure 107 (Sheet 8)

25-71-01



BOEING
COMPONENT
MAINTENANCE MANUAL

| WIRE | | | FROM EQUIPMENT | | | TO EQUIPMENT | | | WIRE INFO | | | | |
|--------|----|-----|----------------|--------|----|--------------|---------|------|-----------|---------|----|-------|---------------------------------------|
| NUMBER | GA | TYP | NUMBER | TERMIN | TT | WDM REF | NUMBER | TERM | TT | EMC/SEP | FT | NOTES | EFFECTIVITY |
| 212R | 24 | PW | D04978J | 38 | | 77-12-12 | TB0248X | A016 | BJ | L2 | | | |
| 212Z | | | D04978J | 40 | | 77-12-12 | TB0248X | C016 | BJ | L2 | | | |
| 240 | 22 | PA | D08112J | 36 | | 36-11-61 | D01886 | 27 | | L2 | 3 | | |
| 241 | 22 | PA | D08112J | 37 | | 36-11-61 | D01886 | 61 | | L2 | 3 | | |
| 242 | 24 | PK | D08112J | 38 | | 36-11-61 | D01886 | 47 | | L2 | 3 | | |
| 243 | 24 | PK | D08112J | 39 | | 36-11-61 | D01886 | 18 | | L2 | 3 | | |
| 246 | 24 | PK | D08112J | 23 | | 36-11-61 | D01886 | 65 | | L2 | 3 | | |
| 247 | 24 | PK | D08112J | 24 | | 36-11-62 | TB0248X | A006 | BJ | L2 | 3 | | |
| 248 | 22 | PA | D01886 | 66 | | 36-11-61 | SM00007 | | W | L2 | 3 | | |
| 249 | 22 | PA | D01886 | 34 | | 36-11-61 | SM00007 | | W | L2 | 3 | | |
| 251 | 24 | PK | D08112J | 40 | | 36-11-61 | D01886 | 17 | | L2 | 3 | | |
| 252 | 22 | PA | D08068J | 44 | | 36-11-51 | SM00001 | | W | L2 | 1 | | VN094-VN110, VS186-VS187 |
| 254 | 22 | PA | TB0182Y | A002 | BJ | 21-23-11 | D04978J | 50 | | L2 | 4 | | VN094-VN110, VS186-VS187 |
| 255 | 22 | PA | TB0158Y | A001 | BJ | 21-23-11 | D04978J | 51 | | L2 | 4 | | |
| 301B | 24 | PM | D02672 | 12 | | 27-58-21 | D08030J | 24 | | L2 | 3 | | |
| 301R | 24 | PM | D02672 | 13 | | 27-58-21 | D08030J | 25 | | L2 | | | |
| 301Y | 24 | PM | D02672 | 11 | | 27-58-21 | D08030J | 26 | | L2 | | | |
| 302B | 24 | PM | D02672 | 32 | | 27-58-21 | D05277J | 29 | | L2 | 3 | | |
| 302R | 24 | PM | D02672 | 33 | | 27-58-21 | D05277J | 30 | | L2 | | | |
| 302Y | 24 | PM | D02672 | 34 | | 27-58-21 | D05277J | 31 | | L2 | | | |
| 500 | 24 | PK | D01884 | 37 | | 21-51-11 | D01886 | 38 | | L2 | 2 | | |
| 501 | 24 | PK | D01884 | 38 | | 21-51-11 | D04978J | 9 | | L2 | 3 | | |
| 502 | 24 | PK | D01884 | 16 | | 21-51-11 | TB0158F | A025 | 2 | L2 | 4 | | |
| 503 | 24 | PK | TB0158F | C025 | 2 | 21-51-21 | D01886 | 4 | | L2 | 4 | | |
| 505 | 24 | PK | D02160 | 11 | | 73-21-15 | TB0158F | A026 | 2 | L2 | 4 | | |
| 506 | 24 | PK | D02160 | 12 | | 34-61-13 | D05209J | 11 | | L2 | 3 | | |
| 507R | 22 | PH | D04978J | 42 | | 26-18-12 | D01886 | 36 | | L2 | 3 | | |
| 508R | 22 | PH | D04978J | 43 | | 26-18-12 | D01886 | 57 | | L2 | 3 | | |
| 509 | 24 | PK | D08068J | 39 | | 21-24-11 | TB0182X | A018 | BJ | L2 | 3 | | VN051-VN054, VN081-VN110, VS186-VS187 |
| 510 | 24 | PK | D08068J | 43 | | 21-24-11 | TB0182X | D018 | BJ | L2 | 3 | | VN051-VN054, VN094-VN110, VS186-VS187 |
| 510 | 22 | PA | D08068J | 43 | | 21-24-11 | TB0182X | D018 | BJ | L2 | 3 | | VN081-VN093 |
| | | | | | | | | | | | | | VN051-VN054, VN081-VN110, VS186-VS187 |

286T1078-301
Wire Bundle Assembly
Figure 107 (Sheet 9)

25-71-01



COMPONENT
MAINTENANCE MANUAL

| WIRE | | | FROM EQUIPMENT | | | TO EQUIPMENT | | | WIRE INFO | | | |
|--------|----|-----|----------------|---------|----------|--------------|---------|---------|-----------|------------------|--|--|
| NUMBER | GA | TYP | NUMBER | TERM TT | WDM REF | NUMBER | TERM TT | EMC/SEP | FT | NOTES | EFFECTIVITY | |
| 512 | 24 | PK | D08068J | 53 | 21-24-11 | TB0182X | C018 BJ | L2 | 3 | | VN051-VN054, VN081-VN110, VS186-VS187 | |
| 513 | 22 | PA | D08068J | 54 | 21-24-11 | TB0182X | B018 BJ | L2 | 3 | | VN051-VN054, VN081-VN110, VS186-VS187 | |
| 514 | 24 | PK | D08068J | 37 | 21-24-11 | TB0248Y | A013 BJ | L2 | 3 | | VN051-VN054, VN081-VN110, VS186-VS187 | |
| 515 | 24 | PK | D08068J | 38 | 21-24-11 | TB0248Y | A013 BJ | L2 | 3 | | VN051-VN054, VN081-VN110, VS186-VS187 | |
| 517 | 24 | PK | TB0248X | A002 BJ | 21-58-11 | D04978J | 13 | L2 | 3 | | VN051-VN054, VN081-VN110, VS186-VS187 | |
| 518 | 24 | PK | D01884 | 30 | 21-53-12 | TB0182X | B012 BJ | L2 | 4 | | VN051-VN054, VN081-VN110, VS186-VS187 | |
| 520 | 24 | PK | TB0248D | C017 2 | 27-58-21 | TB0248D | C018 2 | L2 | 2 | | VN051-VN054, VN081-VN110, VS186-VS187 | |
| 521 | 24 | PK | TB0248D | A017 2 | 34-46-12 | D05277J | 28 | L2 | 3 | | VN051-VN054, VN081-VN110, VS186-VS187 | |
| 522 | 24 | PV | D08030J | 50 | 73-21-11 | TB0182Y | A006 BJ | L2 | 3 | MLA-T2 | VN081-VN084 | |
| 522 | 24 | PV | D08030J | 50 | 73-21-11 | D08030J | 2 | L2 | 3 | MLA-T2 | VN085-VN092 | |
| 522 | 24 | PV | D08030J | 50 | 73-21-11 | D08030J | 2 | L2 | 2 | | VN093-VN110, VS186-VS187 | |
| 522 | 24 | PK | D08030J | 50 | 73-21-11 | D08030J | 27 | L2 | 2 | | VF011-VF011, VK081-VK089, VN051-VN054 | |
| 522Z | | | D08030J | 48 | 73-21-11 | TB0182Y | C006 BJ | L2 | | MLA-T2 | VN081-VN084 | |
| 522Z | | | D08030J | 48 | 73-21-11 | D08030J | 4 | L2 | | MFA-T2 MSE-T2 | VN085-VN092 | |
| 522Z | | | D08030J | 48 | 73-21-11 | D08030J | 4 | L2 | | | VF011-VF011, VK081-VK089, VN051-VN054, VN081-VN092 | |
| 523 | 24 | PV | D08030J | 51 | 73-21-11 | TB0248X | B006 BJ | L2 | 3 | | VN093-VN110, VS186-VS187 | |
| 523 | 24 | PK | D08030J | 51 | 73-21-11 | TB0248Y | C003 BJ | L2 | 3 | | VF011-VF011, VK081-VK089, VN051-VN054, VN081-VN092 | |
| 523Z | | | D08030J | 31 | 73-21-11 | TB0248X | C006 BJ | L2 | | | VN093-VN110, VS186-VS187 | |
| 524 | 24 | PK | D04978J | 8 | 21-58-12 | TB0182X | A028 BJ | L2 | 2 | | VN093-VN110, VS186-VS187 | |
| 525 | 24 | PK | D04978J | 14 | 21-58-12 | TB0182X | B028 BJ | L2 | 2 | | VN093-VN110, VS186-VS187 | |
| 526 | 24 | PK | D04978J | 37 | 21-58-12 | TB0182X | C028 BJ | L2 | 2 | | VN093-VN110, VS186-VS187 | |
| 527 | 24 | PK | D03742 | 12 | 21-58-14 | TB0158G | 27 2 | L2 | 3 | | VN093-VN110, VS186-VS187 | |
| 528R | 22 | PH | D04978J | 44 | 26-18-12 | D01886 | 6 | L2 | 3 | | VF011-VF011, VK081-VK089, VN051-VN054 | |
| 529R | 22 | PU | D08112J | 21 | 26-18-22 | SP03260 | DED | L2 | 3 | | VF011-VF011, VK081-VK089, VN051-VN054 | |
| 529Z | | | D08112J | DED | 26-18-22 | SP03260 | DED | L2 | | | VF011-VF011, VK081-VK089, VN051-VN054, VN081-VN092 | |
| 530 | 24 | PV | TB0248Y | C007 BJ | 73-21-15 | D08030J | 13 | L2 | 3 | | VN093-VN110, VS186-VS187 | |

286T1078-301
Wire Bundle Assembly
Figure 107 (Sheet 10)

25-71-01



BOEING
COMPONENT
MAINTENANCE MANUAL

| WIRE | | FROM EQUIPMENT | | | TO EQUIPMENT | | | WIRE INFO | | | | | |
|--------|----|----------------|---------|------|--------------|----------|---------|-----------|----|---------|----|-------|--|
| NUMBER | GA | TYP | NUMBER | TERM | TT | WDM REF | NUMBER | TERM | TT | EMC/SEP | FT | NOTES | EFFECTIVITY |
| 530 | 24 | PK | TB0182Y | A003 | BJ | 73-21-15 | D08030J | 13 | | L2 | 3 | | VF011-VF011, VK081-VK089, VN051-VN054, VN081-VN092 |
| 530Z | | | TB0248Y | C008 | BJ | 73-21-15 | D08030J | 10 | | L2 | 2 | | VF011-VF011, VK081-VK089, VN051-VN054 |
| 532 | 24 | PK | D04978J | 48 | | 21-58-12 | TB0182X | D028 | BJ | L2 | 2 | | VF011-VF011, VK081-VK089, VN051-VN054 |
| 534 | 24 | PV | D08030J | 2 | | 73-21-11 | TB0182Y | A006 | BJ | L2 | 3 | | VF011-VF011, VK081-VK089, VN051-VN054 |
| 534Z | | | D08030J | 4 | | 73-21-11 | TB0182Y | C006 | BJ | L2 | 2 | | VF011-VF011, VN081-VN092 |
| 536 | 20 | UA | D02160 | | | 73-21-15 | GDX0001 | S... | 2 | L2 | 3 | | VK081-VK089, VN051-VN054 |
| 536 | 20 | UA | D02160 | | | 73-21-15 | GDX0001 | S... | 2 | L2 | 3 | | VF011-VF011, VN081-VN092 |
| 539 | 20 | UA | D02160 | | | 73-21-15 | GDX0001 | S... | 2 | L2 | 3 | | VK081-VK089, VN051-VN054 |
| 539 | 20 | UA | D02160 | | | 73-21-15 | GDX0001 | S... | 2 | L2 | 3 | | VF011-VF011, VN081-VN092 |
| 540 | 20 | UA | D02160 | | | 73-21-16 | GDX0001 | S... | 2 | L2 | 3 | | VK081-VK089, VN051-VN054 |
| 540 | 20 | UA | D02160 | | | 73-21-16 | GDX0001 | S... | 2 | L2 | 3 | | VF011-VF011, VN081-VN092 |
| 542 | 20 | UA | D02160 | | | 73-21-16 | GDX0001 | S... | 2 | L2 | 3 | | VK081-VK089, VN051-VN054 |
| 542 | 20 | UA | D02160 | | | 73-21-16 | GDX0001 | S... | 2 | L2 | 3 | | VF011-VF011, VN081-VN092 |
| 543 | 20 | UA | D02160 | | | 73-21-15 | GDX0001 | S... | 2 | L2 | 3 | | VK081-VK089, VN051-VN054 |
| 543 | 20 | UA | D02160 | | | 73-21-15 | GDX0001 | S... | 2 | L2 | 3 | | VF011-VF011, VK081-VK089, VN051-VN054, VN081-VN092 |
| 548 | 20 | PA | D04978J | 46 | | 73-21-11 | GDX0004 | S... | 2 | L2 | 3 | | VF011-VF011, VN081-VN092 |
| 549 | 20 | PA | D08030J | 52 | | 73-21-11 | GDX0004 | S... | 2 | L2 | 3 | | VK081-VK089, VN051-VN054 |
| 549 | 20 | PA | D08030J | 52 | | 73-21-11 | GDX0004 | S... | 2 | L2 | 3 | | VF011-VF011, VN081-VN092 |
| 550 | 20 | PA | D08030J | 33 | | 73-21-11 | GDX0004 | S... | 2 | L2 | 3 | | VK081-VK089, VN051-VN054 |
| 550 | 20 | PA | D08030J | 33 | | 73-21-11 | GDX0004 | S... | 2 | L2 | 3 | | VF011-VF011, VN081-VN092 |
| 552 | 20 | PA | D08030J | 54 | | 73-21-14 | GDX0004 | S... | 2 | L2 | 3 | | VK081-VK089 |
| 552 | 20 | PA | D08030J | 54 | | 73-21-14 | GDX0004 | S... | 2 | L2 | 3 | | VN051-VN054 |
| 552 | 20 | PA | D08030J | 54 | | 73-21-14 | GDX0004 | S... | 2 | L2 | 3 | | VF011-VF011, VN086-VN088 |
| 558 | 22 | PA | D05209J | 24 | | 34-45-13 | TB0158D | A014 | 2 | L2 | 3 | | VN051-VN054 |
| 558 | 22 | PA | D05209J | 24 | | 34-45-13 | TB0182D | A024 | 2 | L2 | 3 | | VN081-VN081, VN084-VN085 |
| 558 | 22 | PA | D05209J | 24 | | 34-45-13 | TB0182D | A024 | 2 | L2 | 3 | | MLA-F2 MNU-T2 |
| 558 | 22 | PA | D05209J | 24 | | 34-45-13 | TB0182D | A028 | 2 | L2 | 3 | | ZSZ-B6 |
| 558 | 22 | PA | D05209J | 24 | | 34-45-13 | TB0158D | A014 | 2 | L2 | 3 | | ZSZ-B6 |

286T1078-301
Wire Bundle Assembly
Figure 107 (Sheet 11)

25-71-01



COMPONENT
MAINTENANCE MANUAL

| WIRE | | | FROM EQUIPMENT | | | | TO EQUIPMENT | | | | WIRE INFO | | | |
|--------|----|-----|----------------|------|----|----------|--------------|------|----|---------|-----------|-------|--|--|
| NUMBER | GA | TYP | NUMBER | TERM | TT | WDM REF | NUMBER | TERM | TT | EMC/SEP | FT | NOTES | EFFECTIVITY | |
| 600 | 22 | PA | D02672 | 44 | | 27-41-11 | D05277J | 15 | | L2 | 3 | | VF011-VF011, VK081-VK089, VN051-VN054, VN081-VN092 | |
| 602 | 20 | PA | D04978J | 32 | | 80-11-11 | GDX0001 | S.. | 2 | L2 | 3 | | | |
| 701 | 24 | PK | D08112J | 6 | | 36-22-11 | TB0248Y | C009 | BJ | L2 | 3 | | | |
| 702 | 22 | PA | D08030J | 41 | | 36-22-11 | TB0248Y | A010 | BJ | L2 | 3 | | | |
| 703 | 24 | PK | D08112J | 9 | | 36-22-11 | TB0248Y | A010 | BJ | L2 | 3 | | | |
| 706 | 24 | PK | D02160 | 23 | | 73-21-16 | TB0182X | A015 | BJ | L2 | 4 | | | |
| 707 | 22 | PA | TB0182Y | C004 | BJ | 21-51-11 | D04978J | 34 | | L2 | 3 | | | |
| 708 | 24 | PK | D08112J | 19 | | 21-51-21 | TB0158G | 16 | 2 | L2 | 3 | | | |
| 709 | 24 | PK | D08112J | 20 | | 21-51-21 | TB0182Y | C001 | BJ | L2 | 3 | | VF011-VF011, VN086-VN110, VS186-VS187 | |
| 711 | 24 | PK | D02160 | 17 | | 34-61-13 | TB0158Y | A003 | BJ | L2 | 5 | | VK081-VK089, VN051-VN054, VN081-VN085 | |
| 711 | 24 | PK | D02160 | 17 | | 34-61-13 | TB0158G | 1 | 2 | L2 | 4 | | | |
| 712 | 24 | PK | D08112J | 16 | | 21-51-11 | TB0182Y | C004 | BJ | L2 | 3 | | VF011-VF011, VN086-VN110, VS186-VS187 | |
| 713 | 24 | PK | D08112J | 17 | | 21-51-11 | TB0158Y | A001 | BJ | L2 | 3 | | VK081-VK089, VN051-VN054, VN081-VN085 | |
| 713 | 24 | PK | D08112J | 17 | | 21-51-11 | TB0158G | 13 | 2 | L2 | 3 | | | |
| 714 | 24 | PK | D02160 | 52 | | 34-61-13 | TB0158G | 18 | 2 | L2 | 4 | | | |
| 715 | 24 | PK | D02160 | 14 | | 34-61-13 | TB0158G | 21 | 2 | L2 | 4 | | | |
| 716 | 24 | PK | D02160 | 16 | | 34-61-13 | TB0158G | 22 | 2 | L2 | 4 | | | |
| 717 | 24 | PK | D02160 | 27 | | 34-61-13 | TB0158G | 23 | 2 | L2 | 4 | | | |
| 718 | 24 | PK | D03742 | 25 | | 21-25-11 | D04978J | 12 | | L2 | 3 | | | |
| 720 | 24 | PK | D08112J | 32 | | 21-58-11 | TB0182Y | A001 | BJ | L2 | 3 | | | |
| 722 | 24 | PK | D08112J | 1 | | 21-58-14 | D03742 | 37 | | L2 | 3 | | | |
| 724 | 24 | PK | D08112J | 3 | | 21-58-15 | TB0248X | A012 | BJ | L2 | 3 | | | |
| 725 | 24 | PK | D03742 | 2 | | 21-25-11 | TB0248D | A019 | 2 | L2 | 3 | | | |
| 726 | 24 | PK | TB0248Y | C010 | BJ | 21-25-11 | TB0248D | C019 | 2 | L2 | 2 | | | |
| 727 | 24 | PK | TB0248Y | C010 | BJ | 21-25-11 | D04978J | 7 | | L2 | 3 | | | |
| 728 | 24 | PK | TB0248X | C011 | BJ | 21-26-11 | D08112J | 12 | | L2 | 3 | | VF011-VF011, VK081-VK089, VN051-VN054, VN081-VN092 | |
| 730 | 24 | PK | D02160 | 51 | | 73-21-15 | TB0182X | D014 | BJ | L2 | 4 | | | |
| 730 | 24 | PK | D02160 | 51 | | 73-21-15 | TB0182Y | C014 | BJ | L2 | 4 | | VN093-VN110, VS186-VS187 | |
| 731 | 24 | PK | D02160 | 39 | | 73-21-15 | D08030J | 1 | | L2 | 4 | | | |

286T1078-301
Wire Bundle Assembly
Figure 107 (Sheet 12)

25-71-01



BOEING
COMPONENT
MAINTENANCE MANUAL

| WIRE | | | FROM EQUIPMENT | | | TO EQUIPMENT | | | WIRE INFO | | | |
|--------|----|-----|----------------|---------|----------|--------------|---------|---------|-----------|-------|--|--|
| NUMBER | GA | TYP | NUMBER | TERM TT | WDM REF | NUMBER | TERM TT | EMC/SEP | FT | NOTES | EFFECTIVITY | |
| 732 | 22 | PA | D02160 | 63 | 73-21-19 | TB0248Y | C014 BJ | L2 | 4 | | | |
| 733 | 22 | PA | D02160 | 64 | 73-21-19 | TB0182X | B016 BJ | L2 | 4 | | | |
| 737 | 24 | PK | D01886 | 54 | 36-11-51 | SM00002 | W | L2 | 3 | | | |
| 738 | 22 | PA | D01886 | 11 | 36-11-51 | D08068J | 28 | L2 | 3 | | | |
| 739 | 22 | PA | D01886 | 59 | 36-11-51 | SM00001 | W | L2 | 3 | | | |
| 740 | 22 | PA | D08068J | 24 | 36-11-51 | SM00001 | W | L2 | 3 | | | |
| 741 | 24 | PK | D08068J | 40 | 36-11-51 | SM00002 | W | L2 | 3 | | | |
| 744 | 22 | PA | D01886 | 46 | 36-11-51 | D08068J | 27 | L2 | 3 | | | |
| 749 | 24 | PK | D04978J | 26 | 21-58-11 | TB0248X | A001 BJ | L2 | 4 | | | |
| 751 | 24 | PK | D08068J | 21 | 36-11-61 | D01886 | 19 | L2 | 3 | | | |
| 752 | 22 | PA | TB0248Y | A010 BJ | 36-22-11 | D01886 | 3 | L2 | 4 | | | |
| 753 | 24 | PK | D02160 | 18 | 22-32-13 | TB0182X | A017 BJ | L2 | 4 | | | |
| 754 | 24 | PK | D02160 | 20 | 22-32-13 | TB0182X | B017 BJ | L2 | 4 | | | |
| 755 | 24 | PK | D02160 | 58 | 22-32-13 | TB0182X | C017 BJ | L2 | 4 | | | |
| 756 | 24 | PK | D02160 | 50 | 22-32-13 | TB0182X | D017 BJ | L2 | 4 | | | |
| 757 | 24 | PK | D02160 | 28 | 22-32-13 | TB0182X | D016 BJ | L2 | 4 | | | |
| 764 | 24 | PV | D08030J | 46 | 73-21-11 | TB0248Y | C008 BJ | L2 | 3 | | VF011-VF011 VK081-VK089, VN051-VN054, VN081-VN092 | |
| 764 | 24 | PV | D08030J | 46 | 73-21-11 | TB0248Y | C007 BJ | L2 | 3 | | VN093-VN110, VS186-VS187 | |
| 764 | 24 | PK | D08030J | 46 | 73-21-11 | TB0182Y | A003 BJ | L2 | 3 | | VF011-VF011 | |
| 764Z | | | D08030J | 45 | 73-21-11 | TB0248Y | C007 BJ | L2 | | | VK081-VK089, VN051-VN054, VN081-VN092 | |
| 764Z | | | D08030J | 45 | 73-21-11 | TB0248Y | C008 BJ | L2 | | | | |
| 766 | 24 | PK | D08030J | 11 | 27-51-31 | TB0158F | A024 2 | L2 | 3 | | | |
| 767 | 24 | PK | D08030J | 42 | 27-58-31 | D02672 | 52 | L2 | 4 | | | |
| 778 | 24 | PK | D02160 | 5 | 73-21-15 | TB0248X | C012 BJ | L2 | 4 | | | |
| 779 | 22 | PA | TB0248Y | A004 BJ | 73-21-19 | D08030J | 43 | L2 | 3 | | | |
| 780 | 22 | PA | TB0248D | A022 2 | 73-21-19 | D08030J | 17 | L2 | 3 | | VN089-VN110, VS186-VS187 | |
| 781 | 22 | PA | D08068J | 49 | 36-11-51 | SM00001 | W | L2 | 2 | | VF011-VF011, VN085-VN110, VS186-VS187 | |
| 901 | 24 | PK | D08112J | 18 | 21-58-11 | TB0182X | B011 BJ | L2 | 3 | | | |

286T1078-301
Wire Bundle Assembly
Figure 107 (Sheet 13)

25-71-01



COMPONENT
MAINTENANCE MANUAL

| WIRE | | | FROM EQUIPMENT | | | | TO EQUIPMENT | | | | WIRE INFO | | | |
|--------|----|-----|----------------|------|----|----------|--------------|------|----|---------|-----------|--------|--|--|
| NUMBER | CA | TYP | NUMBER | TERM | TT | WDM REF | NUMBER | TERM | TT | EMC/SEP | FT | NOTES | EFFECTIVITY | |
| PA1 | | | D03742 | 26 | | 99-99-99 | D03742 | 34 | | L2 | | DAW-B2 | | |
| PB1 | | | D01884 | 25 | | 99-99-99 | D01884 | 35 | | L2 | | DAW-B2 | | |
| PC1 | | | D03738 | 22 | | 99-99-99 | D03738 | 38 | | L2 | | DAW-B2 | | |
| PD1 | | | D01886 | 41 | | 36-11-51 | D01886 | 63 | | L2 | | DAW-B2 | VK090-VK098, VK141-VK142, VN055-VN062, VN191-VN193, VN291-VN291, VN651-VN651, VN731-VN731 | |
| | | | D01886 | 9 | | 36-11-51 | D01886 | 51 | | L2 | | DAW-B2 | VK099-VK130, VK143-VK160, VL701-VL750, VL941-VL945, VM999-VM999, VN063-VN080, VN194-VN210, VN292-VN300, VN652-VN670, VN676-VN680, VN732-VN790, VN811-VN820, VR401-VR401, VR426-VR426, VS111-VS111, | |
| PE1 | | | D02672 | 47 | | 27-58-21 | D02672 | 66 | | L2 | | DAW-B2 | VK090-VK093, VN055-VN058, VN191-VN191 | |
| PE1 | | | D02672 | 47 | | 27-58-21 | D02672 | 64 | | L2 | | DAW-B2 | VK094-VK130, VK141-VK160, VL701-VL750, VL941-VL945, VM999-VM999, VN059-VN080, VN192-VN210, VN291-VN300, VN651-VN670, VN676-VN680, VN731-VN790, VN811-VN820, VR401-VR401, VR426-VR426, VS111-VS111, | |
| PF1 | | | D02160 | 6 | | 73-21-15 | D02160 | 65 | | L2 | | DAW-B2 | | |
| S01 | | SL | D02160 | | | | | | | R2 | 2 | ISL-F2 | | |
| S02 | | SL | D02160 | | | | | | | R2 | 2 | ISL-F2 | | |
| S03 | | SL | D01884 | | | | | | | R2 | 2 | ISL-F2 | | |
| S29 | | SL | D08112J | | | | | | | R2 | 1 | ISL-F2 | | |
| S34 | | SL | D02160 | | | | | | | R2 | 2 | ISL-F2 | | |
| S65 | | SL | D02160 | | | | | | | R2 | 2 | ISL-F2 | | |
| 1 | 24 | PK | TB0158Y | A006 | BJ | 21-51-11 | D04978J | 6 | | L2 | 3 | ISL-F2 | VK090-VK130, VK141-VK160, VL701-VL750, VL941-VL945, VM999-VM999, VN055-VN080, VN191-VN210, VN291-VN300, VN651-VN656, VN676-VN680, VN751-VN790, VN811-VN820, VR401-VR401, VR426-VR426 | |
| 1 | 24 | PK | TB0158Y | A006 | BJ | 21-51-11 | D04978J | 6 | | L2 | 2 | | VN657-VN670, VS111-VS111 | |
| 1 | 24 | PK | D01884 | 19 | | 21-51-11 | D04978J | 6 | | L2 | 3 | | VN731-VN750 | |

286T1078-302
Wire Bundle Assembly
Figure 108 (Sheet 1)

25-71-01



BOEING
COMPONENT
MAINTENANCE MANUAL

| WIRE | | | FROM EQUIPMENT | | | TO EQUIPMENT | | | WIRE INFO | | | | |
|--------|----|-----|----------------|------|----|--------------|---------|------|-----------|---------|----|-------|--|
| NUMBER | GA | TYP | NUMBER | TERM | TT | WDM REF | NUMBER | TERM | TT | EMC/SEP | FT | NOTES | EFFECTIVITY |
| 2 | 22 | PA | D01884 | 21 | | 21-51-11 | GDX0001 | D.. | 2 | L2 | 3 | | VK090-VK130, VK141-VK160, VL701-VL750, VL941-VL945, VM999-VM999, VN055-VN080, VN191-VN210, VN291-VN300, VN651-VN656, VN676-VN680, VN731-VN790, VN811-VN820, VR401-VR401, VR426-VR426 |
| 2 | 22 | PA | D01884 | 21 | | 21-51-11 | GDX0001 | D.. | 2 | L2 | 2 | | VN657-VN670, VS111-VS111 |
| 3 | 24 | PK | D01884 | 13 | | 21-51-11 | TB0248Y | C004 | BJ | L2 | 4 | | VK090-VK096, VN055-VN058, VN191-VN192 |
| 4 | 24 | PK | D01884 | 14 | | 21-51-11 | D04978J | 19 | | L2 | 3 | | VK090-VK130, VK141-VK160, VL701-VL750, VL941-VL945, VM999-VM999, VN055-VN080, VN191-VN210, VN291-VN300, VN651-VN656, VN676-VN680, VN731-VN790, VN811-VN820, VR401-VR401, VR426-VR426 |
| 4 | 24 | PK | D01884 | 14 | | 21-51-11 | D04978J | 19 | | L2 | 2 | | VN657-VN670, VS111-VS111 |
| 5 | 24 | PK | D01884 | 8 | | 21-51-11 | D04978J | 18 | | L2 | 3 | | VK090-VK130, VK141-VK160, VL701-VL750, VL941-VL945, VM999-VM999, VN055-VN080, VN191-VN210, VN291-VN300, VN651-VN656, VN676-VN680, VN731-VN790, VN811-VN820, VR401-VR401, VR426-VR426 |
| 5 | 24 | PK | D01884 | 8 | | 21-51-11 | D04978J | 18 | | L2 | 2 | | VN657-VN670, VS111-VS111 |
| 6 | 24 | PK | D01884 | 7 | | 21-51-11 | D04978J | 17 | | L2 | 3 | | VK090-VK130, VK141-VK160, VL701-VL750, VL941-VL945, VM999-VM999, VN055-VN080, VN191-VN210, VN291-VN300, VN651-VN656, VN676-VN680, VN731-VN790, VN811-VN820, VR401-VR401, VR426-VR426 |
| 6 | 24 | PK | D01884 | 7 | | 21-51-11 | D04978J | 17 | | L2 | 2 | | VN657-VN670, VS111-VS111 |
| 7 | 24 | PK | D01884 | 36 | | 21-51-11 | TB0158G | 3 | 2 | L2 | 4 | | VK090-VK095, VN055-VN058, VN191-VN192 |

286T1078-302
Wire Bundle Assembly
Figure 108 (Sheet 2)

25-71-01

TESTING & FAULT ISOLATION
01
Page 124Q
Nov 01/02

| WIRES | | FROM EQUIPMENT | | | TO EQUIPMENT | | | WIRE INFO | | | | | |
|--------|----|----------------|---------|------|--------------|----------|--------------|-----------|----|---------|----|-------|--|
| NUMBER | GA | TYP | NUMBER | TERM | TT | WDM REF | NUMBER | TERM | TT | EMC/SEP | FT | NOTES | EFFECTIVITY |
| 7 | 24 | PK | D01884 | 36 | | 21-51-11 | TB0158Y A004 | BJ | | L2 | 4 | | VK096-VK130, VK141-VK160, VL701-VL750, VL941-VL945, VM999-VM999, VN059-VN080, VN193-VN210, VN291-VN300, VN651-VN656, VN676-VN680, VN731-VN790, VN811-VN820, VR401-VR401, VR426-VR426 |
| 7 | 24 | PK | D01884 | 36 | | 21-51-11 | TB0158Y A004 | BJ | | L2 | 3 | | VN657-VN670, VS111-VS111 |
| 8 | 24 | PK | D01884 | 15 | | 21-51-21 | TB0158G 4 | 2 | | L2 | 4 | | VK090-VK095, VN055-VN058, VN191-VN192 |
| 8 | 24 | PK | D01884 | 15 | | 21-51-21 | TB0158Y C004 | BJ | | L2 | 4 | | VK096-VK130, VK141-VK160, VL701-VL750, VL941-VL945, VM999-VM999, VN059-VN080, VN193-VN210, VN291-VN300, VN651-VN656, VN676-VN680, VN731-VN790, VN811-VN820, VR401-VR401, VR426-VR426 |
| 8 | 24 | PK | D01884 | 15 | | 21-51-21 | TB0158Y C004 | BJ | | L2 | 4 | | VN657-VN670, VS111-VS111 |
| 9 | 24 | PK | D01884 | 15 | | 21-51-21 | TB0158Y C004 | BJ | | L2 | 3 | | VK090-VK130, VK141-VK160, VL701-VL750, VL941-VL945, VM999-VM999, VN055-VN080, VN191-VN210, VN291-VN300, VN651-VN656, VN676-VN680, VN731-VN790, VN811-VN820, VR401-VR401, VR426-VR426 |
| 9 | 24 | PK | D01884 | 17 | | 21-51-11 | DC4978J 15 | | | L2 | 3 | | VN657-VN670, VS111-VS111 |
| 10 | 24 | PK | D05209J | 12 | | 31-51-42 | TB0182D A019 | 2 | | L2 | 3 | | VK090-VK130, VK141-VK160, VL701-VL750, VL941-VL945, VM999-VM999, VN055-VN080, VN191-VN210, VN291-VN300, VN651-VN656, VN676-VN680, VN731-VN790, VN811-VN820, VR401-VR401, VR426-VR426 |
| 10 | 24 | PK | D05209J | 12 | | 31-51-42 | TB0182D A019 | 2 | | L2 | 2 | | VN657-VN670, VS111-VS111 |
| 11 | 24 | PK | D01886 | 55 | | 36-11-51 | SM00002 | W | | L2 | 3 | | VK090-VK130, VK141-VK160, VL701-VL750, VL941-VL945, VM999-VM999, VN055-VN080, VN191-VN210, VN291-VN300, VN651-VN656, VN676-VN680, VN731-VN790, VN811-VN820, VR401-VR401, VR426-VR426 |

286T1078-302
Wire Bundle Assembly
Figure 108 (Sheet 3)

25-71-01



BOEING
COMPONENT
MAINTENANCE MANUAL

| WIRE | | | FROM EQUIPMENT | | | TO EQUIPMENT | | | WIRE INFO | | | | |
|--------|----|-----|----------------|------|----|--------------|---------|------|-----------|---------|----|-------|--|
| NUMBER | GA | TYP | NUMBER | TERM | TT | WDM REF | NUMBER | TERM | TT | EMC/SEP | FT | NOTES | EFFECTIVITY |
| 11 | 24 | PK | D01886 | 55 | | 36-11-51 | SM00002 | W | | L2 | 2 | | VN657-VN670, VS111-VS111 |
| 12 | 24 | PK | D01884 | 3 | | 21-51-11 | TB0158G | 9 | 2 | L2 | 4 | | VK090-VK130, VK141-VK160, VL701-VL750, VL941-VL945, VM999-VM999, VN055-VN080, VN191-VN210, VN291-VN300, VN651-VN656, VN676-VN680, VN731-VN790, VN811-VN820, VR401-VR401, VR426-VR426 |
| 12 | 24 | PK | D01884 | 3 | | 21-51-11 | TB0158G | 9 | 2 | L2 | 3 | | VN657-VN670, VS111-VS111 |
| 14 | 24 | PK | D01884 | 4 | | 21-51-11 | TB0158Y | C006 | BJ | L2 | 4 | | VK090-VK130, VK141-VK160, VL701-VL750, VL941-VL945, VM999-VM999, VN055-VN080, VN191-VN210, VN291-VN300, VN651-VN656, VN676-VN680, VN731-VN790, VN811-VN820, VR401-VR401, VR426-VR426 |
| 14 | 24 | PK | D01884 | 4 | | 21-51-11 | TB0158Y | C006 | BJ | L2 | 3 | | VN657-VN670, VS111-VS111 |
| 15 | 24 | PK | D01884 | 5 | | 21-51-11 | TB0158Y | A005 | BJ | L2 | 4 | | VK090-VK130, VK141-VK160, VL701-VL750, VL941-VL945, VM999-VM999, VN055-VN080, VN191-VN210, VN291-VN300, VN651-VN656, VN676-VN680, VN731-VN790, VN811-VN820, VR401-VR401, VR426-VR426 |
| 15 | 24 | PK | D01884 | 5 | | 21-51-11 | TB0158Y | A005 | BJ | L2 | 3 | | VN657-VN670, VS111-VS111 |
| 16 | 24 | PK | D01884 | 22 | | 21-51-11 | D04978J | 20 | | L2 | 3 | | VK090-VK130, VK141-VK160, VL701-VL750, VL941-VL945, VM999-VM999, VN055-VN080, VN191-VN210, VN291-VN300, VN651-VN656, VN676-VN680, VN731-VN790, VN811-VN820, VR401-VR401, VR426-VR426 |
| 16 | 24 | PK | D01884 | 22 | | 21-51-11 | D04978J | 20 | | L2 | 3 | | VN657-VN670, VS111-VS111 |
| 17 | 24 | PK | D01884 | 1 | | 21-51-11 | D04978J | 21 | | L2 | 3 | | VK090-VK130, VK141-VK160, VL701-VL750, VL941-VL945, VM999-VM999, VN055-VN080, VN191-VN210, VN291-VN300, VN651-VN656, VN676-VN680, VN731-VN790, VN811-VN820, VR401-VR401, VR426-VR426 |
| 17 | 24 | PK | D01884 | 1 | | 21-51-11 | D04978J | 21 | | L2 | 3 | | VN657-VN670, VS111-VS111 |

286T1078-302
Wire Bundle Assembly
Figure 108 (Sheet 4)

25-71-01

| WIRE | | | FROM EQUIPMENT | | | | TO EQUIPMENT | | | | WIRE INFO | | | |
|--------|----|-----|----------------|---------|----------|---------|--------------|----------|---------|---------|-----------|----|-------|--|
| NUMBER | GA | TYP | NUMBER | TERM TT | WDM REF | NUMBER | TERM TT | WDM REF | NUMBER | TERM TT | EMC/SEP | FT | NOTES | EFFECTIVITY |
| 17 | 24 | PK | D01884 | 1 | 21-51-11 | D04978J | 21 | 21-51-11 | D04978J | 21 | L2 | 2 | | VN657-VN670, VS111-VS111 |
| 18 | 24 | PK | D01884 | 27 | 21-51-11 | TB0182D | A023 | 21-51-11 | TB0182D | A023 | L2 | 4 | | VN090-VK099, VN055-VN062, VN191-VN194 |
| 18 | 24 | PK | D01884 | 27 | 21-51-11 | TB0182F | A023 | 21-51-11 | TB0182F | A023 | L2 | 4 | | VK100-VK130, VK141-VK160, VL701-VL750, VL941-VL945, VM999-VM999, VN063-VN080, VN195-VN210, VN291-VN300, VN651-VN656, VN676-VN680, VN731-VN790, VN811-VN820, VR401-VR401, VR426-VR426 |
| 18 | 24 | PK | D01884 | 27 | 21-51-11 | TB0182F | A023 | 21-51-11 | TB0182F | A023 | L2 | 3 | | VN657-VN670, VS111-VS111 |
| 19 | 24 | PK | D01884 | 6 | 21-51-11 | TB0158F | C024 | 21-51-11 | TB0158F | C024 | L2 | 4 | | VK090-VK130, VK141-VK160, VL701-VL750, VL941-VL945, VM999-VM999, VN055-VN080, VN191-VN210, VN291-VN300, VN651-VN656, VN676-VN680, VN731-VN790, VN811-VN820, VR401-VR401, VR426-VR426 |
| 19 | 24 | PK | D01884 | 6 | 21-51-11 | TB0158F | C024 | 21-51-11 | TB0158F | C024 | L2 | 3 | | VN657-VN670, VS111-VS111 |
| 20 | 22 | PA | D01884 | 28 | 21-51-11 | TB0182Y | C004 | 21-51-11 | TB0182Y | C004 | L2 | 4 | | VK090-VK130, VK141-VK160, VL701-VL750, VL941-VL945, VM999-VM999, VN055-VN080, VN191-VN210, VN291-VN300, VN651-VN656, VN676-VN680, VN751-VN790, VN811-VN820, VR401-VR401, VR426-VR426 |
| 20 | 22 | PA | D01884 | 28 | 21-51-11 | TB0158Y | A006 | 21-51-11 | TB0158Y | A006 | L2 | 4 | | VN657-VN670, VS111-VS111 |
| 21 | 24 | PK | D01884 | 31 | 21-25-11 | D04978J | 5 | 21-25-11 | D04978J | 5 | L2 | 3 | | VN731-VN790 |
| 21 | 24 | PK | D01884 | 31 | 21-25-11 | D04978J | 5 | 21-25-11 | D04978J | 5 | L2 | 2 | | VK090-VK130, VK141-VK160, VL701-VL750, VL941-VL945, VM999-VM999, VN055-VN080, VN191-VN210, VN291-VN300, VN651-VN656, VN676-VN680, VN731-VN790, VN811-VN820, VR401-VR401, VR426-VR426 |
| 21 | 24 | PK | D01884 | 31 | 21-25-11 | D04978J | 5 | 21-25-11 | D04978J | 5 | L2 | 2 | | VN657-VN670, VS111-VS111 |

286T1078-302
Wire Bundle Assembly
Figure 108 (Sheet 5)

25-71-01



BOEING
COMPONENT
MAINTENANCE MANUAL

| WIRE | | | FROM EQUIPMENT | | | TO EQUIPMENT | | | WIRE INFO | | | | |
|--------|----|-----|----------------|------|----|--------------|--------------|------|-----------|---------|----|-------|--|
| NUMBER | GA | TYP | NUMBER | TERM | TT | WDM REF | NUMBER | TERM | TT | EMC/SEP | FT | NOTES | EFFECTIVITY |
| 22 | 24 | PK | D01884 | 9 | | 21-53-11 | D04978J | 24 | | L2 | 3 | | VK090-VK130, VK141-VK160, VL701-VL750, VL941-VL945, VM999-VM999, VN055-VN080, VN191-VN210, VN291-VN300, VN651-VN656, VN676-VN680, VN731-VN790, VN811-VN820, VR401-VR401, VR426-VR426 |
| 22 | 24 | PK | D01884 | 9 | | 21-53-11 | D04978J | 24 | | L2 | 2 | | VN657-VN670, VS111-VS111 |
| 23 | 24 | PK | D01884 | 26 | | 21-53-12 | TB0158F A012 | 2 | | R2 | 4 | | VK090-VK130, VK141-VK160, VL701-VL750, VL941-VL945, VM999-VM999, VN055-VN080, VN191-VN210, VN291-VN300, VN651-VN656, VN676-VN680, VN731-VN790, VN811-VN820, VR401-VR401, VR426-VR426 |
| 23 | 24 | PK | D01884 | 26 | | 21-53-12 | TB0158F A012 | 2 | | R2 | 3 | | VN657-VN670, VS111-VS111 |
| 24 | 24 | PK | D01884 | 19 | | 21-51-11 | TB0158Y A006 | BJ | | L2 | 4 | | VK090-VK130, VK141-VK160, VL701-VL750, VL941-VL945, VM999-VM999, VN055-VN080, VN191-VN210, VN291-VN300, VN651-VN656, VN676-VN680, VN731-VN790, VN811-VN820, VR401-VR401, VR426-VR426 |
| 24 | 24 | PK | D01884 | 19 | | 21-51-11 | TB0158Y A006 | BJ | | L2 | 3 | | VN657-VN670, VS111-VS111 |
| 25 | 24 | PK | D01884 | 2 | | 21-51-11 | D08068J | 20 | | L2 | 3 | | VK090-VK130, VK141-VK160, VL701-VL750, VL941-VL945, VM999-VM999, VN055-VN080, VN191-VN210, VN291-VN300, VN651-VN656, VN676-VN680, VN731-VN790, VN811-VN820, VR401-VR401, VR426-VR426 |
| 25 | 24 | PK | D01884 | 2 | | 21-51-11 | D08068J | 20 | | L2 | 3 | | VN657-VN670, VS111-VS111 |
| 25 | 24 | PK | D01884 | 2 | | 21-51-11 | D08068J | 20 | | L2 | 2 | | VK090-VK130, VK141-VK160, VL701-VL750, VL941-VL945, VM999-VM999, VN055-VN080, VN191-VN210, VN291-VN300, VN651-VN656, VN676-VN680, VN731-VN790, VN811-VN820, VR401-VR401, VR426-VR426 |
| 26 | 24 | PK | D01884 | 32 | | 73-21-15 | TB0248X D012 | BJ | | L2 | 4 | | VN657-VN670, VS111-VS111 |
| 26 | 24 | PK | D01884 | 32 | | 73-21-15 | TB0248X D012 | BJ | | L2 | 3 | | VK090-VK130, VK141-VK160, VL701-VL750, VL941-VL945, VM999-VM999, VN055-VN080, VN191-VN210, VN291-VN300, VN651-VN656, VN676-VN680, VN731-VN790, VN811-VN820, VR401-VR401, VR426-VR426 |
| 26 | 24 | PK | D01884 | 32 | | 73-21-15 | TB0248X D012 | BJ | | L2 | 3 | | VN657-VN670, VS111-VS111 |

286T1078-302
Wire Bundle Assembly
Figure 108 (Sheet 6)

25-71-01

| WIRE | | | FROM EQUIPMENT | | | | TO EQUIPMENT | | | | WIRE INFO | | | |
|--------|----|-----|----------------|---------|----------|---------|--------------|---------|----|-------|--|--|--|--|
| NUMBER | GA | TYP | NUMBER | TERM TT | WDM REF | NUMBER | TERM TT | EMC/SEP | FT | NOTES | EFFECTIVITY | | | |
| 27 | 24 | PK | D02160 | 47 | 73-21-15 | D01884 | 18 | L2 | 3 | | VK090-VK130, VK141-VK160, VL701-VL750, VL941-VL945, VM999-VM999, VN055-VN080, VN191-VN210, VN291-VN300, VN651-VN656, VN676-VN680, VN731-VN790, VN811-VN820, VR401-VR401, VR426-VR426 | | | |
| 27 | 24 | PK | D02160 | 47 | 73-21-15 | D01884 | 18 | L2 | 1 | | VN657-VN670, VS111-VS111 | | | |
| 28 | 22 | PA | D01884 | 10 | 21-51-11 | TB0158G | 13 | L2 | 4 | | VK090-VK095, VN055-VN058, VN191-VN192 | | | |
| 28 | 22 | PA | D01884 | 10 | 21-51-11 | TB0158Y | A001 | L2 | 4 | | VK096-VK130, VK141-VK160, VL701-VL750, VL941-VL945, VM999-VM999, VN059-VN080, VN193-VN210, VN291-VN300, VN651-VN656, VN676-VN680, VN731-VN790, VN811-VN820, VR401-VR401, VR426-VR426 | | | |
| 28 | 22 | PA | D01884 | 10 | 21-51-11 | TB0158Y | A001 | L2 | 3 | | VN657-VN670, VS111-VS111 | | | |
| 29 | 24 | PK | D02160 | 66 | 73-21-15 | TB0158G | 10 | L2 | 4 | | VK090-VK130, VK141-VK160, VL701-VL750, VL941-VL945, VM999-VM999, VN055-VN080, VN191-VN210, VN291-VN300, VN651-VN656, VN676-VN680, VN731-VN790, VN811-VN820, VR401-VR401, VR426-VR426 | | | |
| 29 | 24 | PK | D02160 | 66 | 73-21-15 | TB0158G | 10 | L2 | 3 | | VN657-VN670, VS111-VS111 | | | |
| 30 | 24 | PK | D01884 | 12 | 21-51-11 | TB0158G | 14 | L2 | 4 | | VK090-VK095, VN055-VN058, VN191-VN192 | | | |
| 30 | 24 | PK | D01884 | 12 | 21-51-11 | TB0158Y | C001 | L2 | 4 | | VK096-VK130, VK141-VK160, VL701-VL750, VL941-VL945, VM999-VM999, VN059-VN080, VN193-VN210, VN291-VN300, VN651-VN656, VN676-VN680, VN731-VN790, VN811-VN820, VR401-VR401, VR426-VR426 | | | |
| 30 | 24 | PK | D01884 | 12 | 21-51-11 | TB0158Y | C001 | L2 | 3 | | VN657-VN670, VS111-VS111 | | | |
| 31 | 24 | PK | TB0158G | 3 | 21-51-11 | D04978J | 16 | L2 | 3 | | VK090-VK095, VN055-VN058, VN191-VN192 | | | |

286T1078-302
Wire Bundle Assembly
Figure 108 (Sheet 7)

25-71-01



BOEING
COMPONENT
MAINTENANCE MANUAL

| WIRE | | FROM EQUIPMENT | | | TO EQUIPMENT | | | WIRE INFO | | | | | |
|--------|----|----------------|---------|------|--------------|----------|---------|-----------|----|---------|----|-------|--|
| NUMBER | GA | TYP | NUMBER | TERM | TT | WDM REF | NUMBER | TERM | TT | EMC/SEP | FT | NOTES | EFFECTIVITY |
| 31 | 24 | PK | TB0158Y | A004 | BJ | 21-51-11 | D04978J | 16 | | L2 | 4 | | VK096-VK130, VK141-VK160, VL701-VL750, VL941-VL945, VM999-VM999, VN059-VN080, VN193-VN210, VN291-VN300, VN651-VN656, VN676-VN680, VN731-VN790, VN811-VN820, VR401-VR401, VR426-VR426 |
| 31 | 24 | PK | TB0158Y | A004 | BJ | 21-51-11 | D04978J | 16 | | L2 | 2 | | VN657-VN670, VS111-VS111 |
| 32 | 24 | PK | TB0158G | 14 | 2 | 21-51-11 | D08112J | 15 | | L2 | 3 | | VK090-VK095, VN055-VN058, VN191-VN192 |
| 32 | 24 | PK | TB0158Y | C001 | BJ | 21-51-11 | D08112J | 15 | | L2 | 3 | | VK096-VK130, VK141-VK160, VL701-VL750, VL941-VL945, VM999-VM999, VN059-VN080, VN193-VN210, VN291-VN300, VN651-VN656, VN676-VN680, VN731-VN790, VN811-VN820, VR401-VR401, VR426-VR426 |
| 32 | 24 | PK | TB0158Y | C001 | BJ | 21-51-11 | D08112J | 15 | | L2 | 2 | | VN657-VN670, VS111-VS111 |
| 34 | 24 | PK | TB0158G | 9 | 2 | 21-51-11 | D04978J | 10 | | L2 | 3 | | VK090-VK130, VK141-VK160, VL701-VL750, VL941-VL945, VM999-VM999, VN055-VN080, VN191-VN210, VN291-VN300, VN651-VN656, VN676-VN680, VN731-VN790, VN811-VN820, VR401-VR401, VR426-VR426 |
| 34 | 24 | PK | TB0158G | 9 | 2 | 21-51-11 | D04978J | 10 | | L2 | 2 | | VN657-VN670, VS111-VS111 |
| 35 | 24 | PK | D08068J | 48 | | 21-51-11 | TB0158Y | C006 | BJ | L2 | 3 | | VK090-VK130, VK141-VK160, VL701-VL750, VL941-VL945, VM999-VM999, VN055-VN080, VN191-VN210, VN291-VN300, VN651-VN656, VN676-VN680, VN731-VN790, VN811-VN820, VR401-VR401, VR426-VR426 |
| 35 | 24 | PK | D08068J | 48 | | 21-51-11 | TB0158Y | C006 | BJ | L2 | 2 | | VN657-VN670, VS111-VS111 |
| 36 | 22 | PA | TB0182Y | C004 | BJ | 21-51-11 | D04978J | 23 | | L2 | 3 | | VK090-VK130, VK141-VK160, VL701-VL750, VL941-VL945, VM999-VM999, VN055-VN080, VN191-VN210, VN291-VN300, VN651-VN656, VN676-VN680, VN751-VN790, VN811-VN820, VR401-VR401, VR426-VR426 |

286T1078-302
Wire Bundle Assembly
Figure 108 (Sheet 8)

25-71-01

| WIRE | | | FROM EQUIPMENT | | | | TO EQUIPMENT | | | | WIRE INFO | | | |
|--------|----|-----|----------------|---------|-------------|---------|--------------|---------|----|-------|--|--|--|--|
| NUMBER | GA | TYP | NUMBER | TERM TT | WDM REF | NUMBER | TERM TT | EMC/SEP | FT | NOTES | EFFECTIVITY | | | |
| 36 | 22 | PA | TB0182Y | C004 | BJ 21-51-11 | D04978J | 23 | L2 | 2 | | VN657-VN670, VS111-VS111 | | | |
| 36 | 22 | PA | TB0158Y | A006 | BJ 21-51-11 | D04978J | 23 | L2 | 3 | | VN731-VN750 | | | |
| 38 | 24 | PK | D03738 | 24 | 21-51-23 | D08068J | 45 | L2 | 3 | | VL945, VM999-VM999, VN055-VN080, VN191-VN210, VN291-VN300, VN651-VN656, VN676-VN680, VN731-VN790, VN811-VN820, VR401-VR401, VR426-VR426 | | | |
| 38 | 24 | PK | D03738 | 24 | 21-51-23 | D08068J | 45 | L2 | 2 | | VN657-VN670, VS111-VS111 | | | |
| 39 | 22 | PA | TB0158G | 13 | 21-51-11 | D04978J | 22 | L2 | 3 | | VK090-VK095, VN055-VN058, VN191-VN192 | | | |
| 39 | 22 | PA | TB0158Y | A001 | BJ 21-51-11 | D04978J | 22 | L2 | 4 | | VK096-VK130, VK141-VK160, VL701-VL750, VL941-VL945, VM999-VM999, VN059-VN080, VN193-VN210, VN291-VN300, VN651-VN656, VN676-VN680, VN731-VN790, VN811-VN820, VR401-VR401, VR426-VR426 | | | |
| 39 | 22 | PA | TB0158Y | A001 | BJ 21-51-11 | D04978J | 22 | L2 | 2 | | VN657-VN670, VS111-VS111 | | | |
| 40 | 24 | PK | D03742 | 1 | 21-25-11 | D04978J | 2 | L2 | 3 | | VK090-VK130, VK141-VK160, VL701-VL750, VL941-VL945, VM999-VM999, VN055-VN080, VN191-VN210, VN291-VN300, VN651-VN656, VN676-VN680, VN731-VN790, VN811-VN820, VR401-VR401, VR426-VR426 | | | |
| 40 | 24 | PK | D03742 | 1 | 21-25-11 | D04978J | 2 | L2 | 2 | | VN657-VN670, VS111-VS111 | | | |
| 41 | 22 | PA | D03742 | 3 | 21-25-11 | GDX0001 | D.. | L2 | 3 | | VK090-VK130, VK141-VK160, VL701-VL750, VL941-VL945, VM999-VM999, VN055-VN080, VN191-VN210, VN291-VN300, VN651-VN656, VN676-VN680, VN731-VN790, VN811-VN820, VR401-VR401, VR426-VR426 | | | |
| 41 | 22 | PA | D03742 | 3 | 21-25-11 | GDX0001 | D.. | L2 | 2 | | VN657-VN670, VS111-VS111 | | | |

286T1078-302
Wire Bundle Assembly
Figure 108 (Sheet 9)

25-71-01



BOEING
COMPONENT
MAINTENANCE MANUAL

| WIRE | | | FROM EQUIPMENT | | | TO EQUIPMENT | | | WIRE INFO | | |
|--------|----|-----|----------------|---------|----------|--------------|---------|---------|-----------|-------|--|
| NUMBER | GA | TYP | NUMBER | TERM TT | WDM REF | NUMBER | TERM TT | EMC/SEP | FT | NOTES | EFFECTIVITY |
| 42 | 24 | PK | D03742 | 24 | 21-25-11 | D04978J | 1 | L2 | 3 | | VK090-VK130, VK141-VK160, VL701-VL750, VL941-VL945, VM999-VM999, VN055-VN080, VN191-VN210, VN291-VN300, VN651-VN656, VN676-VN680, VN731-VN790, VN811-VN820, VR401-VR401, VR426-VR426 |
| 42 | 24 | PK | D03742 | 24 | 21-25-11 | D04978J | 1 | L2 | 2 | | VN657-VN670, VS111-VS111 |
| 43 | 22 | PA | D03742 | 4 | 21-25-11 | GDX0001 | D.. | L2 | 3 | | VK090-VK130, VK141-VK160, VL701-VL750, VL941-VL945, VM999-VM999, VN055-VN080, VN191-VN210, VN291-VN300, VN651-VN656, VN676-VN680, VN731-VN790, VN811-VN820, VR401-VR401, VR426-VR426 |
| 43 | 22 | PA | D03742 | 4 | 21-25-11 | GDX0001 | D.. | L2 | 2 | | VN657-VN670, VS111-VS111 |
| 44 | 24 | PK | D03742 | 22 | 21-25-11 | D04978J | 3 | L2 | 3 | | VK090-VK130, VK141-VK160, VL701-VL750, VL941-VL945, VM999-VM999, VN055-VN080, VN191-VN210, VN291-VN300, VN651-VN656, VN676-VN680, VN731-VN790, VN811-VN820, VR401-VR401, VR426-VR426 |
| 44 | 24 | PK | D03742 | 22 | 21-25-11 | D04978J | 3 | L2 | 2 | | VN657-VN670, VS111-VS111 |
| 45 | 24 | PK | D03742 | 23 | 21-25-11 | D04978J | 4 | L2 | 3 | | VK090-VK130, VK141-VK160, VL701-VL750, VL941-VL945, VM999-VM999, VN055-VN080, VN191-VN210, VN291-VN300, VN651-VN656, VN676-VN680, VN731-VN790, VN811-VN820, VR401-VR401, VR426-VR426 |
| 45 | 24 | PK | D03742 | 23 | 21-25-11 | D04978J | 4 | L2 | 2 | | VN657-VN670, VS111-VS111 |
| 46 | 24 | PK | D03742 | 7 | 21-26-11 | D08068J | 50 | L2 | 3 | | VK090-VK130, VK141-VK160, VL701-VL750, VL941-VL945, VM999-VM999, VN055-VN080, VN191-VN210, VN291-VN300, VN651-VN656, VN676-VN680, VN731-VN790, VN811-VN820, VR401-VR401, VR426-VR426 |
| 46 | 24 | PK | D03742 | 7 | 21-26-11 | D08068J | 50 | L2 | 2 | | VN657-VN670, VS111-VS111 |

286T1078-302
Wire Bundle Assembly
Figure 108 (Sheet 10)

25-71-01

| WIRE | | FROM EQUIPMENT | | | TO EQUIPMENT | | | WIRE INFO | | | |
|--------|----|----------------|--------|---------|--------------|---------|---------|-----------|----|-------|--|
| NUMBER | GA | TYP | NUMBER | TERM TT | WDM REF | NUMBER | TERM TT | EMC/SEP | FT | NOTES | EFFECTIVITY |
| 47 | 22 | FA | D03742 | 9 | 21-26-11 | GDX0001 | D.. | L2 | 3 | | VN090-VK130, VK141-VK160, VL701-VL750, VL941-VL945, VM999-VM999, VN055-VN080, VN191-VN210, VN291-VN300, VN651-VN656, VN676-VN680, VN731-VN790, VN811-VN820, VR401-VR401, VR426-VR426 |
| 47 | 22 | PA | D03742 | 9 | 21-26-11 | GDX0001 | D.. | L2 | 2 | | VN657-VN670, VS111-VS111 |
| 48 | 24 | PK | D03742 | 28 | 21-26-11 | D08068J | 15 | L2 | 3 | | VK090-VK130, VK141-VK160, VL701-VL750, VL941-VL945, VM999-VM999, VN055-VN080, VN191-VN210, VN291-VN300, VN651-VN656, VN676-VN680, VN731-VN790, VN811-VN820, VR401-VR401, VR426-VR426 |
| 48 | 24 | PK | D03742 | 28 | 21-26-11 | D08068J | 15 | L2 | 2 | | VN657-VN670, VS111-VS111 |
| 49 | 24 | PK | D03742 | 8 | 21-26-11 | D08068J | 18 | L2 | 3 | | VK090-VK130, VK141-VK160, VL701-VL750, VL941-VL945, VM999-VM999, VN055-VN080, VN191-VN210, VN291-VN300, VN651-VN656, VN676-VN680, VN731-VN790, VN811-VN820, VR401-VR401, VR426-VR426 |
| 49 | 24 | PK | D03742 | 8 | 21-26-11 | D08068J | 18 | L2 | 2 | | VN657-VN670, VS111-VS111 |
| 50 | 24 | PK | D03742 | 6 | 21-26-11 | D08068J | 16 | L2 | 3 | | VK090-VK130, VK141-VK160, VL701-VL750, VL941-VL945, VM999-VM999, VN055-VN080, VN191-VN210, VN291-VN300, VN651-VN656, VN676-VN680, VN731-VN790, VN811-VN820, VR401-VR401, VR426-VR426 |
| 50 | 24 | PK | D03742 | 6 | 21-26-11 | D08068J | 16 | L2 | 2 | | VN657-VN670, VS111-VS111 |
| 51 | 24 | PK | D03742 | 27 | 21-26-11 | D08068J | 19 | L2 | 3 | | VK090-VK130, VK141-VK160, VL701-VL750, VL941-VL945, VM999-VM999, VN055-VN080, VN191-VN210, VN291-VN300, VN651-VN656, VN676-VN680, VN731-VN790, VN811-VN820, VR401-VR401, VR426-VR426 |
| 51 | 24 | PK | D03742 | 27 | 21-26-11 | D08068J | 19 | L2 | 2 | | VN657-VN670, VS111-VS111 |

286T1078-302
Wire Bundle Assembly
Figure 108 (Sheet 11)

25-71-01



BOEING
COMPONENT
MAINTENANCE MANUAL

| WIRE | | FROM EQUIPMENT | | | TO EQUIPMENT | | | WIRE INFO | | | |
|--------|----|----------------|---------|---------|--------------|---------|---------|-----------|----|-------|--|
| NUMBER | GA | TYP | NUMBER | TERM TT | WDM REF | NUMBER | TERM TT | EMC/SEP | FT | NOTES | EFFECTIVITY |
| 52 | 24 | PK | D03742 | 36 | 21-26-11 | TB0158F | A017 2 | L2 | 4 | | VK090-VK130, VK141-VK160, VL701-VL750, VL941-VL945, VM999-VM999, VN055-VN080, VN191-VN210, VN291-VN300, VN651-VN656, VN676-VN680, VN731-VN790, VN811-VN820, VR401-VR401, VR426-VR426 |
| 52 | 24 | PK | D03742 | 36 | 21-26-11 | TB0158F | A017 2 | L2 | 3 | | VN657-VN670, VS111-VS111 |
| 53 | 24 | PK | D03742 | 13 | 21-58-14 | D08112J | 33 | L2 | 4 | | VK090-VK130, VK141-VK160, VL701-VL750, VL941-VL945, VM999-VM999, VN055-VN080, VN191-VN210, VN291-VN300, VN651-VN656, VN676-VN680, VN731-VN790, VN811-VN820, VR401-VR401, VR426-VR426 |
| 53 | 24 | PK | D03742 | 13 | 21-58-14 | D08112J | 33 | L2 | 3 | | VN657-VN670, VS111-VS111 |
| 54 | 22 | PA | D03742 | 15 | 21-58-14 | D08112J | 33 | L2 | 2 | | VK090-VK130, VK141-VK160, VL701-VL750, VL941-VL945, VM999-VM999, VN055-VN080, VN191-VN210, VN291-VN300, VN651-VN656, VN676-VN680, VN731-VN790, VN811-VN820, VR401-VR401, VR426-VR426 |
| 54 | 22 | PA | D03742 | 15 | 21-58-14 | D08112J | 33 | L2 | 2 | | VN657-VN670, VS111-VS111 |
| 55 | 24 | PK | TB0158G | 27 | 21-58-14 | D08068J | 46 | L2 | 2 | | VK090-VK130, VK141-VK160, VL701-VL750, VL941-VL945, VM999-VM999, VN055-VN080, VN191-VN210, VN291-VN300, VN651-VN656, VN676-VN680, VN731-VN790, VN811-VN820, VR401-VR401, VR426-VR426 |
| 54 | 22 | PA | D03742 | 15 | 21-58-14 | GDX0001 | D.. 2 | L2 | 2 | | VN657-VN670, VS111-VS111 |
| 55 | 24 | PK | TB0158G | 27 | 21-58-14 | D08068J | 46 | L2 | 2 | | VK090-VK130, VK141-VK160, VL701-VL750, VL941-VL945, VM999-VM999, VN055-VN080, VN191-VN210, VN291-VN300, VN651-VN656, VN676-VN680, VN731-VN790, VN811-VN820, VR401-VR401, VR426-VR426 |
| 55 | 24 | PK | TB0158G | 27 | 21-58-14 | D08068J | 46 | L2 | 2 | | VN657-VN670, VS111-VS111 |
| 56 | 24 | PK | D03742 | 33 | 21-58-14 | D08112J | 10 | L2 | 3 | | VK090-VK130, VK141-VK160, VL701-VL750, VL941-VL945, VM999-VM999, VN055-VN080, VN191-VN210, VN291-VN300, VN651-VN656, VN676-VN680, VN731-VN790, VN811-VN820, VR401-VR401, VR426-VR426 |
| 56 | 24 | PK | D03742 | 33 | 21-58-14 | D08112J | 10 | L2 | 2 | | VN657-VN670, VS111-VS111 |

286T1078-302
Wire Bundle Assembly
Figure 108 (Sheet 12)

25-71-01

| WIRE | | | FROM EQUIPMENT | | | TO EQUIPMENT | | | WIRE INFO | | | | |
|--------|----|-----|----------------|------|----|--------------|---------|------|-----------|-------------|----|-------|--|
| NUMBER | GA | TYP | NUMBER | TERM | TT | WDM REF | NUMBER | TERM | TT | EMC/ SEP | FT | NOTES | EFFECTIVITY |
| 57 | 24 | PK | D03742 | 11 | | 21-58-14 | D08112J | 8 | | L2 | 3 | | VK090-VK130, VK141-VK160, VL701-VL750, VL941-VL945, VM999-VM999, VN055-VN080, VN191-VN210, VN291-VN300, VN651-VN656, VN676-VN680, VN731-VN790, VN811-VN820, VR401-VR401, VR426-VR426 |
| 57 | 24 | PK | D03742 | 11 | | 21-58-14 | D08112J | 8 | | L2 | 2 | | VN657-VN670, VS111-VS111 |
| 58 | 24 | PK | D03742 | 32 | | 21-58-14 | D08112J | 11 | | L2 | 3 | | VK090-VK130, VK141-VK160, VL701-VL750, VL941-VL945, VM999-VM999, VN055-VN080, VN191-VN210, VN291-VN300, VN651-VN656, VN676-VN680, VN731-VN790, VN811-VN820, VR401-VR401, VR426-VR426 |
| 58 | 24 | PK | D03742 | 32 | | 21-58-14 | D08112J | 11 | | L2 | 2 | | VN657-VN670, VS111-VS111 |
| 59 | 24 | PK | D03742 | 14 | | 21-58-14 | TS0158F | C017 | 2 | L2 | 4 | | VK090-VK130, VK141-VK160, VL701-VL750, VL941-VL945, VM999-VM999, VN055-VN080, VN191-VN210, VN291-VN300, VN651-VN656, VN676-VN680, VN731-VN790, VN811-VN820, VR401-VR401, VR426-VR426 |
| 59 | 24 | PK | D03742 | 14 | | 21-58-14 | TS0158F | C017 | 2 | L2 | 3 | | VN657-VN670, VS111-VS111 |
| 61 | 24 | PK | D01886 | 5 | | 36-11-51 | D08112J | 28 | | L2 | 3 | | VK090-VK130, VK141-VK160, VL701-VL750, VL941-VL945, VM999-VM999, VN055-VN080, VN191-VN210, VN291-VN300, VN651-VN656, VN676-VN680, VN731-VN790, VN811-VN820, VR401-VR401, VR426-VR426 |
| 61 | 24 | PK | D01886 | 5 | | 36-11-51 | D08112J | 28 | | L2 | 2 | | VN657-VN670, VS111-VS111 |
| 62 | 24 | PK | D03742 | 35 | | 21-26-11 | D08112J | 13 | | L2 | 3 | | VK090-VK130, VK141-VK160, VL701-VL750, VL941-VL945, VM999-VM999, VN055-VN080, VN191-VN210, VN291-VN300, VN651-VN656, VN676-VN680, VN731-VN790, VN811-VN820, VR401-VR401, VR426-VR426 |
| 62 | 24 | PK | D03742 | 35 | | 21-26-11 | D08112J | 13 | | L2 | 2 | | VN657-VN670, VS111-VS111 |

286T1078-302
Wire Bundle Assembly
Figure 108 (Sheet 13)

25-71-01



BOEING
COMPONENT
MAINTENANCE MANUAL

| WIRE | | FROM EQUIPMENT | | | TO EQUIPMENT | | | WIRE INFO | | | | | |
|--------|----|----------------|---------|------|--------------|----------|---------|-----------|----|---------|----|-------|--|
| NUMBER | GA | TYP | NUMBER | TERM | TT | WDM REF | NUMBER | TERM | TT | EMC/SEP | FT | NOTES | EFFECTIVITY |
| 63 | 24 | PK | TB0158F | C020 | 2 | 21-58-14 | D03742 | 38 | | L2 | 4 | | VK090-VK130, VK141-VK160, VL701-VL750, VL941-VL945, VM999-VM999, VN055-VN080, VN191-VN210, VN291-VN300, VN651-VN656, VN676-VN680, VN731-VN790, VN811-VN820, VR401-VR401, VR426-VR426 |
| 63 | 24 | PK | TB0158F | C020 | 2 | 21-58-14 | D03742 | 38 | | L2 | 3 | | VN657-VN670, VS111-VS111 |
| 64 | 24 | PK | D03738 | 19 | | 21-53-22 | D04978J | 30 | | L2 | 3 | | VK090-VK130, VK141-VK160, VL701-VL750, VL941-VL945, VM999-VM999, VN055-VN080, VN191-VN210, VN291-VN300, VN651-VN656, VN676-VN680, VN731-VN790, VN811-VN820, VR401-VR401, VR426-VR426 |
| 64 | 24 | PK | D03738 | 19 | | 21-53-22 | D04978J | 30 | | L2 | 2 | | VN657-VN670, VS111-VS111 |
| 65 | 22 | PA | D03738 | 21 | | 21-53-22 | GDX0001 | D.. | 2 | L2 | 3 | | VK090-VK130, VK141-VK160, VL701-VL750, VL941-VL945, VM999-VM999, VN055-VN080, VN191-VN210, VN291-VN300, VN651-VN656, VN676-VN680, VN731-VN790, VN811-VN820, VR401-VR401, VR426-VR426 |
| 65 | 22 | PA | D03738 | 21 | | 21-53-22 | GDX0001 | D.. | 2 | L2 | 2 | | VN657-VN670, VS111-VS111 |
| 66 | 24 | PK | D03738 | 6 | | 21-53-22 | D04978J | 25 | | L2 | 3 | | VK090-VK130, VK141-VK160, VL701-VL750, VL941-VL945, VM999-VM999, VN055-VN080, VN191-VN210, VN291-VN300, VN651-VN656, VN676-VN680, VN731-VN790, VN811-VN820, VR401-VR401, VR426-VR426 |
| 66 | 24 | PK | D03738 | 6 | | 21-53-22 | D04978J | 25 | | L2 | 2 | | VN657-VN670, VS111-VS111 |
| 67 | 24 | PK | D03738 | 3 | | 21-53-22 | TB0182X | C011 | BJ | L2 | 4 | | VK090-VK130, VK141-VK160, VL701-VL750, VL941-VL945, VM999-VM999, VN055-VN080, VN191-VN210, VN291-VN300, VN651-VN656, VN676-VN680, VN731-VN790, VN811-VN820, VR401-VR401, VR426-VR426 |
| 67 | 24 | PK | D03738 | 3 | | 21-53-22 | TB0182X | C011 | BJ | L2 | 3 | | VN657-VN670, VS111-VS111 |

286T1078-302
Wire Bundle Assembly
Figure 108 (Sheet 14)

25-71-01

| WIRE | | | FROM EQUIPMENT | | | TO EQUIPMENT | | | WIRE INFO | | | | |
|--------|----|-----|----------------|------|----|--------------|---------|------|-----------|-------------|----|-------|--|
| NUMBER | GA | TYP | NUMBER | TERM | TT | WDM REF | NUMBER | TERM | TT | EMC/ SEP | FT | NOTES | EFFECTIVITY |
| 68 | 24 | PK | D03738 | 37 | | 21-53-22 | D04978J | 27 | | L2 | 3 | | VK090-VK130, VK141-VK160, VL701-VL750, VL941-VL945, VM999-VM999, VN055-VN080, VN191-VN210, VN291-VN300, VN651-VN656, VN676-VN680, VN731-VN790, VN811-VN820, VR401-VR401, VR426-VR426 |
| 68 | 24 | PK | D03738 | 37 | | 21-53-22 | D04978J | 27 | | L2 | 2 | | VN657-VN670, VS111-VS111 |
| 69 | 24 | PK | D03738 | 36 | | 21-53-22 | D04978J | 28 | | L2 | 3 | | VK090-VK130, VK141-VK160, VL701-VL750, VL941-VL945, VM999-VM999, VN055-VN080, VN191-VN210, VN291-VN300, VN651-VN656, VN676-VN680, VN731-VN790, VN811-VN820, VR401-VR401, VR426-VR426 |
| 69 | 24 | PK | D03738 | 36 | | 21-53-22 | D04978J | 28 | | L2 | 2 | | VN657-VN670, VS111-VS111 |
| 70 | 24 | PK | D03738 | 35 | | 21-53-22 | D04978J | 29 | | L2 | 3 | | VK090-VK130, VK141-VK160, VL701-VL750, VL941-VL945, VM999-VM999, VN055-VN080, VN191-VN210, VN291-VN300, VN651-VN656, VN676-VN680, VN731-VN790, VN811-VN820, VR401-VR401, VR426-VR426 |
| 70 | 24 | PK | D03738 | 35 | | 21-53-22 | D04978J | 29 | | L2 | 2 | | VN657-VN670, VS111-VS111 |
| 71 | 24 | PK | D03738 | 8 | | 21-53-22 | TB0158F | C012 | 2 | L2 | 4 | | VK090-VK130, VK141-VK160, VL701-VL750, VL941-VL945, VM999-VM999, VN055-VN080, VN191-VN210, VN291-VN300, VN651-VN656, VN676-VN680, VN731-VN790, VN811-VN820, VR401-VR401, VR426-VR426 |
| 71 | 24 | PK | D03738 | 8 | | 21-53-22 | TB0158F | C012 | 2 | L2 | 3 | | VN657-VN670, VS111-VS111 |
| 72 | 24 | PK | D03738 | 4 | | 21-53-22 | D08068J | 12 | | L2 | 3 | | VK090-VK130, VK141-VK160, VL701-VL750, VL941-VL945, VM999-VM999, VN055-VN080, VN191-VN210, VN291-VN300, VN651-VN656, VN676-VN680, VN731-VN790, VN811-VN820, VR401-VR401, VR426-VR426 |
| 72 | 24 | PK | D03738 | 4 | | 21-53-22 | D08068J | 12 | | L2 | 2 | | VN657-VN670, VS111-VS111 |

286T1078-302
Wire Bundle Assembly
Figure 108 (Sheet 15)

25-71-01



BOEING
COMPONENT
MAINTENANCE MANUAL

| WIRE | | | FROM EQUIPMENT | | | TO EQUIPMENT | | | WIRE INFO | | | | |
|--------|----|-----|----------------|------|----|--------------|---------|------|-----------|---------|----|-------|--|
| NUMBER | GA | TYP | NUMBER | TERM | TT | WDM REF | NUMBER | TERM | TT | EMC/SEP | FT | NOTES | EFFECTIVITY |
| 73 | 24 | PK | D03738 | 10 | | 21-53-22 | D08068J | 13 | | L2 | 3 | | VK090-VK130, VK141-VK160, VL701-VL750, VL941-VL945, VM999-VM999, VN055-VN080, VN191-VN210, VN291-VN300, VN651-VN656, VN676-VN680, VN731-VN790, VN811-VN820, VR401-VR401, VR426-VR426 |
| 73 | 24 | PK | D03738 | 10 | | 21-53-22 | D08068J | 13 | | L2 | 2 | | VN657-VN670, VS111-VS111 |
| 74 | 24 | PK | D03738 | 7 | | 21-53-22 | D08068J | 10 | | L2 | 3 | | VK090-VK130, VK141-VK160, VL701-VL750, VL941-VL945, VM999-VM999, VN055-VN080, VN191-VN210, VN291-VN300, VN651-VN656, VN676-VN680, VN731-VN790, VN811-VN820, VR401-VR401, VR426-VR426 |
| 74 | 24 | PK | D03738 | 7 | | 21-53-22 | D08068J | 10 | | L2 | 2 | | VN657-VN670, VS111-VS111 |
| 75 | 24 | PK | D03738 | 11 | | 21-53-22 | D08068J | 11 | | L2 | 3 | | VK090-VK130, VK141-VK160, VL701-VL750, VL941-VL945, VM999-VM999, VN055-VN080, VN191-VN210, VN291-VN300, VN651-VN656, VN676-VN680, VN731-VN790, VN811-VN820, VR401-VR401, VR426-VR426 |
| 75 | 24 | PK | D03738 | 11 | | 21-53-22 | D08068J | 11 | | L2 | 2 | | VN657-VN670, VS111-VS111 |
| 76 | 24 | PK | D03738 | 12 | | 21-53-22 | D08068J | 8 | | L2 | 3 | | VK090-VK130, VK141-VK160, VL701-VL750, VL941-VL945, VM999-VM999, VN055-VN080, VN191-VN210, VN291-VN300, VN651-VN656, VN676-VN680, VN731-VN790, VN811-VN820, VR401-VR401, VR426-VR426 |
| 76 | 24 | PK | D03738 | 12 | | 21-53-22 | D08068J | 8 | | L2 | 2 | | VN657-VN670, VS111-VS111 |
| 77 | 24 | PK | D03738 | 9 | | 21-53-22 | D08068J | 9 | | L2 | 3 | | VK090-VK130, VK141-VK160, VL701-VL750, VL941-VL945, VM999-VM999, VN055-VN080, VN191-VN210, VN291-VN300, VN651-VN656, VN676-VN680, VN731-VN790, VN811-VN820, VR401-VR401, VR426-VR426 |
| 77 | 24 | PK | D03738 | 9 | | 21-53-22 | D08068J | 9 | | L2 | 2 | | VN657-VN670, VS111-VS111 |

286T1078-302
Wire Bundle Assembly
Figure 108 (Sheet 16)

25-71-01

TESTING & FAULT ISOLATION
01 Page 126C
Nov 01/02

| WIRE | | FROM EQUIPMENT | | | TO EQUIPMENT | | | WIRE INFO | | | | | |
|--------|----|----------------|--------|------|--------------|----------|---------|-----------|----|---------|----|-------|--|
| NUMBER | GA | TYP | NUMBER | TERM | TT | WDM REF | NUMBER | TERM | TT | EMC/SEP | FT | NOTES | EFFECTIVITY |
| 78 | 24 | PK | D03738 | 16 | | 21-53-22 | D08068J | 6 | | L2 | 3 | | VK090-VK130, VK141-VK160, VL701-VL750, VL941-VL945, VM999-VM999, VN055-VN080, VN191-VN210, VN291-VN300, VN651-VN656, VN676-VN680, VN731-VN790, VN811-VN820, VR401-VR401, VR426-VR426 |
| 78 | 24 | PK | D03738 | 16 | | 21-53-22 | D08068J | 6 | | L2 | 2 | | VN657-VN670, VS111-VS111 |
| 79 | 24 | PK | D03738 | 14 | | 21-53-22 | D08068J | 5 | | L2 | 3 | | VK090-VK130, VK141-VK160, VL701-VL750, VL941-VL945, VM999-VM999, VN055-VN080, VN191-VN210, VN291-VN300, VN651-VN656, VN676-VN680, VN731-VN790, VN811-VN820, VR401-VR401, VR426-VR426 |
| 79 | 24 | PK | D03738 | 14 | | 21-53-22 | D08068J | 5 | | L2 | 2 | | VN657-VN670, VS111-VS111 |
| 80 | 24 | PK | D03738 | 15 | | 21-53-22 | D08068J | 4 | | L2 | 3 | | VK090-VK130, VK141-VK160, VL701-VL750, VL941-VL945, VM999-VM999, VN055-VN080, VN191-VN210, VN291-VN300, VN651-VN656, VN676-VN680, VN731-VN790, VN811-VN820, VR401-VR401, VR426-VR426 |
| 80 | 24 | PK | D03738 | 15 | | 21-53-22 | D08068J | 4 | | L2 | 2 | | VN657-VN670, VS111-VS111 |
| 81 | 24 | PK | D03738 | 13 | | 21-53-22 | D08068J | 3 | | L2 | 3 | | VK090-VK130, VK141-VK160, VL701-VL750, VL941-VL945, VM999-VM999, VN055-VN080, VN191-VN210, VN291-VN300, VN651-VN656, VN676-VN680, VN731-VN790, VN811-VN820, VR401-VR401, VR426-VR426 |
| 81 | 24 | PK | D03738 | 13 | | 21-53-22 | D08068J | 3 | | L2 | 2 | | VN657-VN670, VS111-VS111 |
| 82 | 24 | PK | D03738 | 18 | | 21-53-22 | D08068J | 2 | | L2 | 3 | | VK090-VK130, VK141-VK160, VL701-VL750, VL941-VL945, VM999-VM999, VN055-VN080, VN191-VN210, VN291-VN300, VN651-VN656, VN676-VN680, VN731-VN790, VN811-VN820, VR401-VR401, VR426-VR426 |
| 82 | 24 | PK | D03738 | 18 | | 21-53-22 | D08068J | 2 | | L2 | 2 | | VN657-VN670, VS111-VS111 |

286T1078-302
Wire Bundle Assembly
Figure 108 (Sheet 17)

25-71-01



BOEING
COMPONENT
MAINTENANCE MANUAL

| WIRE | | | FROM EQUIPMENT | | | | TO EQUIPMENT | | | | WIRE INFO | | | |
|--------|----|-----|----------------|------|----|----------|--------------|------|----|---------|-----------|-------|--|--|
| NUMBER | GA | TYP | NUMBER | TERM | TT | WDM REF | NUMBER | TERM | TT | EMC/SEP | FT | NOTES | EFFECTIVITY | |
| 83 | 24 | PK | D03738 | 17 | | 21-53-22 | D08068J | 1 | | L2 | 3 | | VK090-VK130, VK141-VK160, VL701-VL750, VL941-VL945, VM999-VM999, VN055-VN080, VN191-VN210, VN291-VN300, VN651-VN656, VN676-VN680, VN731-VN790, VN811-VN820, VR401-VR401, VR426-VR426 | |
| 83 | 24 | PK | D03738 | 17 | | 21-53-22 | D08068J | 1 | | L2 | 2 | | VN657-VN670, VS111-VS111 | |
| 84 | 24 | PK | D03738 | 5 | | 21-53-22 | D08068J | 7 | | L2 | 3 | | VK090-VK130, VK141-VK160, VL701-VL750, VL941-VL945, VM999-VM999, VN055-VN080, VN191-VN210, VN291-VN300, VN651-VN656, VN676-VN680, VN731-VN790, VN811-VN820, VR401-VR401, VR426-VR426 | |
| 84 | 24 | PK | D03738 | 5 | | 21-53-22 | D08068J | 7 | | L2 | 2 | | VN657-VN670, VS111-VS111 | |
| 85 | 22 | PA | D01886 | 60 | | 36-11-51 | SM00001 | | W | L2 | 3 | | VK090-VK130, VK141-VK160, VL701-VL750, VL941-VL945, VM999-VM999, VN055-VN080, VN191-VN210, VN291-VN300, VN651-VN656, VN676-VN680, VN731-VN790, VN811-VN820, VR401-VR401, VR426-VR426 | |
| 85 | 22 | PA | D01886 | 60 | | 36-11-51 | SM00001 | | W | L2 | 2 | | VN657-VN670, VS111-VS111 | |
| 86 | 22 | PA | D01886 | 40 | | 36-11-51 | D08068J | 42 | | L2 | 3 | | VK090-VK130, VK141-VK160, VL701-VL750, VL941-VL945, VM999-VM999, VN055-VN080, VN191-VN210, VN291-VN300, VN651-VN656, VN676-VN680, VN731-VN790, VN811-VN820, VR401-VR401, VR426-VR426 | |
| 86 | 22 | PA | D01886 | 40 | | 36-11-51 | D08068J | 42 | | L2 | 2 | | VN657-VN670, VS111-VS111 | |
| 87 | 22 | PA | D01886 | 39 | | 36-11-51 | D08068J | 41 | | L2 | 3 | | VK090-VK130, VK141-VK160, VL701-VL750, VL941-VL945, VM999-VM999, VN055-VN080, VN191-VN210, VN291-VN300, VN651-VN656, VN676-VN680, VN731-VN790, VN811-VN820, VR401-VR401, VR426-VR426 | |
| 87 | 22 | PA | D01886 | 39 | | 36-11-51 | D08068J | 41 | | L2 | 2 | | VN657-VN670, VS111-VS111 | |

286T1078-302
Wire Bundle Assembly
Figure 108 (Sheet 18)

25-71-01

| WIRE | | FROM EQUIPMENT | | | TO EQUIPMENT | | | WIRE INFO | | | | | |
|--------|----|----------------|---------|------|--------------|----------|---------|-----------|----|---------|----|-------|--|
| NUMBER | GA | TYP | NUMBER | TERM | TT | WDM REF | NUMBER | TERM | TT | EMC/SEP | FT | NOTES | EFFECTIVITY |
| 88 | 22 | PA | TB0248Y | A004 | BJ | 73-21-19 | D08030J | 15 | | L2 | 3 | | VK090-VK130, VK141-VK160, VL701-VL750, VL941-VL945, VM999-VM999, VN055-VN080, VN191-VN210, VN291-VN300, VN651-VN656, VN676-VN680, VN731-VN790, VN811-VN820, VR401-VR401, VR426-VR426 |
| 88 | 22 | PA | TB0248Y | A004 | BJ | 73-21-19 | D08030J | 15 | | L2 | 2 | | VN657-VN670, VS111-VS111 |
| 89 | 22 | PA | TB0248D | C022 | 2 | 73-21-19 | TB0248Y | A004 | BJ | L2 | 2 | | VK090-VK130, VK141-VK160, VL701-VL750, VL941-VL945, VM999-VM999, VN055-VN080, VN191-VN210, VN291-VN300, VN651-VN656, VN676-VN680, VN731-VN790, VN811-VN820, VR401-VR401, VR426-VR426 |
| 89 | 22 | PA | TB0248D | C022 | 2 | 73-21-19 | TB0248Y | A004 | BJ | L2 | 2 | | VN657-VN670, VS111-VS111 |
| 90 | 24 | PK | D08068J | 55 | | 21-51-11 | TB0158Y | A005 | BJ | L2 | 3 | | VK090-VK130, VK141-VK160, VL701-VL750, VL941-VL945, VM999-VM999, VN055-VN080, VN191-VN210, VN291-VN300, VN651-VN656, VN676-VN680, VN731-VN790, VN811-VN820, VR401-VR401, VR426-VR426 |
| 90 | 24 | PK | D08068J | 55 | | 21-51-11 | TB0158Y | A005 | BJ | L2 | 2 | | VN657-VN670, VS111-VS111 |
| 92 | 24 | PK | D01886 | 20 | | 36-11-51 | D08068J | 25 | | L2 | 3 | | VK090-VK130, VK141-VK160, VL701-VL750, VL941-VL945, VM999-VM999, VN055-VN080, VN191-VN210, VN291-VN300, VN651-VN656, VN676-VN680, VN731-VN790, VN811-VN820, VR401-VR401, VR426-VR426 |
| 92 | 24 | PK | D01886 | 20 | | 36-11-51 | D08068J | 25 | | L2 | 2 | | VN657-VN670, VS111-VS111 |
| 93 | 22 | PA | D01886 | 35 | | 36-11-51 | D08068J | 22 | | L2 | 3 | | VK090-VK130, VK141-VK160, VL701-VL750, VL941-VL945, VM999-VM999, VN055-VN080, VN191-VN210, VN291-VN300, VN651-VN656, VN676-VN680, VN731-VN790, VN811-VN820, VR401-VR401, VR426-VR426 |
| 93 | 22 | PA | D01886 | 35 | | 36-11-51 | D08068J | 22 | | L2 | 2 | | VN657-VN670, VS111-VS111 |

286T1078-302
Wire Bundle Assembly
Figure 108 (Sheet 19)

25-71-01



BOEING
COMPONENT
MAINTENANCE MANUAL

| WIRE | | | FROM EQUIPMENT | | | | TO EQUIPMENT | | | | WIRE INFO | | | |
|--------|----|-----|----------------|------|----|----------|--------------|------|----|---------|-----------|-------|--|--|
| NUMBER | GA | TYP | NUMBER | TERM | TT | WDM REF | NUMBER | TERM | TT | EMC/SEP | FT | NOTES | EFFECTIVITY | |
| 94 | 24 | PK | D01886 | 53 | | 36-11-51 | TB0158Y | C005 | BJ | L2 | 4 | | VK090-VK130, VK141-VK160, VL701-VL750, VL941-VL945, VM999-VM999, VN055-VN080, VN191-VN210, VN291-VN300, VN651-VN656, VN676-VN680, VN731-VN790, VN811-VN820, VR401-VR401, VR426-VR426 | |
| 94 | 24 | PK | D01886 | 53 | | 36-11-51 | TB0158Y | C005 | BJ | L2 | 3 | | VN657-VN670, VS111-VS111 | |
| 95 | 24 | PK | D01886 | 28 | | 36-11-61 | D08068J | 34 | | L2 | 3 | | VK090-VK130, VK141-VK160, VL701-VL750, VL941-VL945, VM999-VM999, VN055-VN080, VN191-VN210, VN291-VN300, VN651-VN656, VN676-VN680, VN731-VN790, VN811-VN820, VR401-VR401, VR426-VR426 | |
| 95 | 24 | PK | D01886 | 28 | | 36-11-61 | D08068J | 34 | | L2 | 2 | | VN657-VN670, VS111-VS111 | |
| 97 | 24 | PK | D01886 | 52 | | 36-11-51 | D08068J | 23 | | L2 | 3 | | VK090-VK130, VK141-VK160, VL701-VL750, VL941-VL945, VM999-VM999, VN055-VN080, VN191-VN210, VN291-VN300, VN651-VN656, VN676-VN680, VN731-VN790, VN811-VN820, VR401-VR401, VR426-VR426 | |
| 97 | 24 | PK | D01886 | 52 | | 36-11-51 | D08068J | 23 | | L2 | 2 | | VN657-VN670, VS111-VS111 | |
| 99 | 22 | PA | D01886 | 2 | | 36-22-11 | D08030J | 44 | | L2 | 3 | | VK090-VK130, VK141-VK160, VL701-VL750, VL941-VL945, VM999-VM999, VN055-VN080, VN191-VN210, VN291-VN300, VN651-VN656, VN676-VN680, VN731-VN790, VN811-VN820, VR401-VR401, VR426-VR426 | |
| 99 | 22 | PA | D01886 | 2 | | 36-22-11 | D08030J | 44 | | L2 | 2 | | VN657-VN670, VS111-VS111 | |
| 100 | 22 | PA | D01886 | 31 | | 36-11-61 | D08068J | 31 | | L2 | 3 | | VK090-VK130, VK141-VK160, VL701-VL750, VL941-VL945, VM999-VM999, VN055-VN080, VN191-VN210, VN291-VN300, VN651-VN656, VN676-VN680, VN731-VN790, VN811-VN820, VR401-VR401, VR426-VR426 | |
| 100 | 22 | PA | D01886 | 31 | | 36-11-61 | D08068J | 31 | | L2 | 2 | | VN657-VN670, VS111-VS111 | |

286T1078-302
Wire Bundle Assembly
Figure 108 (Sheet 20)

25-71-01

| WIRE | | FROM EQUIPMENT | | | TO EQUIPMENT | | | WIRE INFO | | | |
|--------|----|----------------|---------|---------|--------------|---------|---------|-----------|----|-------|--|
| NUMBER | GA | TYP | NUMBER | TERM TT | WDM REF | NUMBER | TERM TT | EMC/SEP | FT | NOTES | EFFECTIVITY |
| 101 | 24 | PK | D01886 | 1 | 36-11-61 | D08068J | 35 | L2 | 3 | | VK090-VK130, VK141-VK160, VL701-VL750, VL941-VL945, VM999-VM999, VN055-VN080, VN191-VN210, VN291-VN300, VN651-VN656, VN676-VN680, VN731-VN790, VN811-VN820, VR401-VR401, VR426-VR426 |
| 101 | 24 | PK | D01886 | 1 | 36-11-61 | D08068J | 35 | L2 | 2 | | VN657-VN670, VS111-VS111 |
| 102 | 22 | PA | D01886 | 56 | 36-11-61 | D08068J | 33 | L2 | 3 | | VK090-VK130, VK141-VK160, VL701-VL750, VL941-VL945, VM999-VM999, VN055-VN080, VN191-VN210, VN291-VN300, VN651-VN656, VN676-VN680, VN731-VN790, VN811-VN820, VR401-VR401, VR426-VR426 |
| 102 | 22 | PA | D01886 | 56 | 36-11-61 | D08068J | 33 | L2 | 2 | | VN657-VN670, VS111-VS111 |
| 103 | 24 | PK | D01886 | 58 | 36-11-61 | D08068J | 32 | L2 | 3 | | VK090-VK130, VK141-VK160, VL701-VL750, VL941-VL945, VM999-VM999, VN055-VN080, VN191-VN210, VN291-VN300, VN651-VN656, VN676-VN680, VN731-VN790, VN811-VN820, VR401-VR401, VR426-VR426 |
| 103 | 24 | PK | D01886 | 58 | 36-11-61 | D08068J | 32 | L2 | 2 | | VN657-VN670, VS111-VS111 |
| 104 | 22 | PA | SM00007 | | 36-11-61 | D08068J | 36 | L2 | 2 | | VK090-VK130, VK141-VK160, VL701-VL750, VL941-VL945, VM999-VM999, VN055-VN080, VN191-VN210, VN291-VN300, VN651-VN656, VN676-VN680, VN731-VN790, VN811-VN820, VR401-VR401, VR426-VR426 |
| 104 | 22 | PA | SM00007 | | 36-11-61 | D08068J | 36 | L2 | 2 | | VN657-VN670, VS111-VS111 |
| 105 | 24 | PK | D01886 | 64 | 36-11-41 | TB0248Y | A003 BU | L2 | 4 | | VK090-VK130, VK141-VK160, VL701-VL750, VL941-VL945, VM999-VM999, VN055-VN080, VN191-VN210, VN291-VN300, VN651-VN656, VN676-VN680, VN731-VN790, VN811-VN820, VR401-VR401, VR426-VR426 |
| 105 | 24 | PK | D01886 | 64 | 36-11-41 | TB0248Y | A003 BU | L2 | 3 | | VN657-VN670, VS111-VS111 |

 286T1078-302
 Wire Bundle Assembly
 Figure 108 (Sheet 21)

25-71-01



BOEING
COMPONENT
MAINTENANCE MANUAL

| WIRE | | | FROM EQUIPMENT | | | TO EQUIPMENT | | | WIRE INFO | | | | |
|--------|----|-----|----------------|------|----|--------------|---------|------|-----------|-------------|----|-------|--|
| NUMBER | GA | TYP | NUMBER | TERM | TT | WDM REF | NUMBER | TERM | TT | EMC/ SEP | FT | NOTES | EFFECTIVITY |
| 106 | 24 | PK | TB0158Y | C005 | BJ | 36-11-51 | D08068J | 26 | | L2 | 3 | | VK090-VK130, VK141-VK160, VL701-VL750, VL941-VL945, VM999-VM999, VN055-VN080, VN191-VN210, VN291-VN300, VN651-VN656, VN676-VN680, VN731-VN790, VN811-VN820, VR401-VR401, VR426-VR426 |
| 106 | 24 | PK | TB0158Y | C005 | BJ | 36-11-51 | D08068J | 26 | | L2 | 2 | | VN657-VN670, VS111-VS111 |
| 107 | 24 | PK | TB0158Y | C005 | BJ | 36-11-51 | D08068J | 29 | | L2 | 2 | | VK090-VK130, VK141-VK160, VL701-VL750, VL941-VL945, VM999-VM999, VN055-VN080, VN191-VN210, VN291-VN300, VN651-VN656, VN676-VN680, VN731-VN790, VN811-VN820, VR401-VR401, VR426-VR426 |
| 107 | 24 | PK | TB0158Y | C005 | BJ | 36-11-51 | D08068J | 29 | | L2 | 2 | | VN657-VN670, VS111-VS111 |
| 108 | 22 | PA | TB0182Y | A002 | BJ | 21-58-11 | D08112J | 34 | | R2 | 2 | | VK090-VK130, VK141-VK160, VL701-VL750, VL941-VL945, VM999-VM999, VN055-VN080, VN191-VN210, VN291-VN300, VN651-VN656, VN676-VN680, VN731-VN790, VN811-VN820, VR401-VR401, VR426-VR426 |
| 108 | 22 | PA | TB0182Y | A002 | BJ | 21-58-11 | D08112J | 34 | | R2 | 2 | | VN657-VN670, VS111-VS111 |
| 109 | 22 | PQ | D02160 | 56 | | 73-21-16 | TB0182X | B015 | BJ | L2 | 4 | | VN191-VN192, VN651-VN656 |
| 109 | 22 | PA | D02160 | 56 | | 73-21-16 | TB0182X | B015 | BJ | L2 | 4 | | VN291-VN300, VN676-VN680 |
| 109Z | | | D02160 | | | 73-21-16 | TB0182X | C015 | BJ | L2 | | | VN191-VN192, VN651-VN656 |
| 110 | 24 | PK | D08068J | 47 | | 28-22-12 | TB0248X | D001 | BJ | L2 | 3 | | VK090-VK130, VK141-VK160, VL701-VL750, VL941-VL945, VM999-VM999, VN055-VN080, VN191-VN210, VN291-VN300, VN651-VN656, VN676-VN680, VN731-VN790, VN811-VN820, VR401-VR401, VR426-VR426 |
| 110 | 24 | PK | D08068J | 47 | | 28-22-12 | TB0248X | D001 | BJ | L2 | 2 | | VN657-VN670, VS111-VS111 |

286T1078-302
Wire Bundle Assembly
Figure 108 (Sheet 22)

25-71-01

| WIRE | | FROM EQUIPMENT | | | TO EQUIPMENT | | | WIRE INFO | | | |
|--------|----|----------------|---------|---------|--------------|---------|---------|-----------|----|--------|--|
| NUMBER | GA | TYP | NUMBER | TERM TT | WDM REF | NUMBER | TERM TT | EMC/SEP | FT | NOTES | EFFECTIVITY |
| 111 | 22 | PA | D02672 | 26 | 22-24-11 | D05277J | 1 | L2 | 3 | | VK090-VK130, VK141-VK160, VL701-VL750, VL941-VL945, VM999-VM999, VN055-VN080, VN191-VN210, VN291-VN300, VN651-VN656, VN676-VN680, VN731-VN790, VN811-VN820, VR401-VR401, VR426-VR426 |
| 111 | 22 | PA | D02672 | 26 | 22-24-11 | D05277J | 1 | L2 | 2 | | VN657-VN670, VS111-VS111 |
| 112 | 24 | PK | D02672 | 22 | 22-12-11 | D05277J | 22 | L2 | 3 | | VK090-VK130, VK141-VK160, VL701-VL750, VL941-VL945, VM999-VM999, VN055-VN080, VN191-VN210, VN291-VN300, VN651-VN656, VN676-VN680, VN731-VN790, VN811-VN820, VR401-VR401, VR426-VR426 |
| 112 | 24 | PK | D02672 | 22 | 22-12-11 | D05277J | 22 | L2 | 2 | | VN657-VN670, VS111-VS111 |
| 113 | 24 | PK | D02672 | 23 | 22-12-11 | D05277J | 23 | L2 | 3 | | VK090-VK130, VK141-VK160, VL701-VL750, VL941-VL945, VM999-VM999, VN055-VN080, VN191-VN210, VN291-VN300, VN651-VN656, VN676-VN680, VN731-VN790, VN811-VN820, VR401-VR401, VR426-VR426 |
| 113 | 24 | PK | D02672 | 23 | 22-12-11 | D05277J | 23 | L2 | 2 | | VN657-VN670, VS111-VS111 |
| 114 | 24 | PK | D08112J | 14 | 21-51-11 | TB0248Y | C004 BJ | L2 | 3 | | VK090-VK096, VN191-VN192 |
| 114 | 24 | PK | D08112J | 14 | 21-51-11 | TB0248Y | CAP Y | L2 | 3 | ZSZ-B6 | VN055-VN058 |
| 115 | 22 | PA | D02672 | 8 | 27-58-21 | GDX0001 | A.. 2 | L2 | 4 | | VK090-VK130, VK141-VK160, VL701-VL750, VL941-VL945, VM999-VM999, VN055-VN080, VN191-VN210, VN291-VN300, VN651-VN656, VN676-VN680, VN731-VN790, VN811-VN820, VR401-VR401, VR426-VR426 |
| 115 | 22 | PA | D02672 | 8 | 27-58-21 | GDX0001 | A.. 2 | L2 | 2 | | VN657-VN670, VS111-VS111 |

286T1078-302
Wire Bundle Assembly
Figure 108 (Sheet 23)

25-71-01



BOEING
COMPONENT
MAINTENANCE MANUAL

| WIRE | | | FROM EQUIPMENT | | | | TO EQUIPMENT | | | | WIRE INFO | | | |
|--------|----|-----|----------------|---------|----------|---------|--------------|---------|--------|---------|-----------|----|--|-------------|
| NUMBER | GA | TYP | NUMBER | TERM TT | WDM REF | NUMBER | TERM TT | WDM REF | NUMBER | TERM TT | EMC/SEP | FT | NOTES | EFFECTIVITY |
| 116 | 24 | PK | D03742 | 29 | 21-26-11 | TB0158F | A020 | 2 | L2 | 3 | | | VR090-VK130, VK141-VK160, VL701-VL750, VL941-VL945, VM999-VM999, VN055-VN080, VN191-VN210, VN291-VN300, VN651-VN656, VN676-VN680, VN731-VN790, VN811-VN820, VR401-VR401, VR426-VR426 | |
| 116 | 24 | PK | D03742 | 29 | 21-26-11 | TB0158F | A020 | 2 | L2 | 3 | | | VN657-VN670, VS111-VS111 | |
| 117 | 24 | PK | D02672 | 7 | 27-58-21 | D08030J | 29 | | L2 | 3 | | | VR090-VK130, VK141-VK160, VL701-VL750, VL941-VL945, VM999-VM999, VN055-VN080, VN191-VN210, VN291-VN300, VN651-VN656, VN676-VN680, VN731-VN790, VN811-VN820, VR401-VR401, VR426-VR426 | |
| 117 | 24 | PK | D02672 | 7 | 27-58-21 | D08030J | 29 | | L2 | 2 | | | VN657-VN670, VS111-VS111 | |
| 120 | 24 | PK | D02672 | 38 | 22-12-11 | D05277J | 24 | | L2 | 3 | | | VR090-VK130, VK141-VK160, VL701-VL750, VL941-VL945, VM999-VM999, VN055-VN080, VN191-VN210, VN291-VN300, VN651-VN656, VN676-VN680, VN731-VN790, VN811-VN820, VR401-VR401, VR426-VR426 | |
| 120 | 24 | PK | D02672 | 38 | 22-12-11 | D05277J | 24 | | L2 | 2 | | | VN657-VN670, VS111-VS111 | |
| 121 | 24 | PK | D02672 | 39 | 22-12-11 | D05277J | 25 | | L2 | 3 | | | VR090-VK130, VK141-VK160, VL701-VL750, VL941-VL945, VM999-VM999, VN055-VN080, VN191-VN210, VN291-VN300, VN651-VN656, VN676-VN680, VN731-VN790, VN811-VN820, VR401-VR401, VR426-VR426 | |
| 121 | 24 | PK | D02672 | 39 | 22-12-11 | D05277J | 25 | | L2 | 2 | | | VN657-VN670, VS111-VS111 | |
| 122 | 22 | PA | D02672 | 28 | 73-21-19 | D08030J | 32 | | L2 | 3 | | | VR090-VK130, VK141-VK160, VL701-VL750, VL941-VL945, VM999-VM999, VN055-VN080, VN191-VN210, VN291-VN300, VN651-VN656, VN676-VN680, VN731-VN790, VN811-VN820, VR401-VR401, VR426-VR426 | |
| 122 | 22 | PA | D02672 | 28 | 73-21-19 | D08030J | 32 | | L2 | 2 | | | VN657-VN670, VS111-VS111 | |

286T1078-302
Wire Bundle Assembly
Figure 108 (Sheet 24)

25-71-01

| WIRE | | | FROM EQUIPMENT | | | TO EQUIPMENT | | | WIRE INFO | | | | |
|--------|----|-----|----------------|------|----|--------------|---------|------|-----------|---------|----|-------|--|
| NUMBER | GA | TYP | NUMBER | TERM | TT | WDM REF | NUMBER | TERM | TT | EMC/SEP | FT | NOTES | EFFECTIVITY |
| 124 | 22 | PA | D02160 | 62 | | 73-21-19 | TB0248Y | A004 | BJ | L2 | 4 | | VK090-VK130, VK141-VK160, VL701-VL750, VL941-VL945, VM999-VM999, VN055-VN080, VN191-VN210, VN291-VN300, VN651-VN656, VN676-VN680, VN731-VN790, VN811-VN820, VR401-VR401, VR426-VR426 |
| 124 | 22 | PA | D02160 | 62 | | 73-21-19 | TB0248Y | A004 | BJ | L2 | 3 | | VN657-VN670, VS111-VS111 |
| 125 | 22 | PA | D02160 | 30 | | 73-21-19 | D08030J | 14 | | R2 | 4 | | VK090-VK130, VK141-VK160, VL701-VL750, VL941-VL945, VM999-VM999, VN055-VN080, VN191-VN210, VN291-VN300, VN651-VN656, VN676-VN680, VN731-VN790, VN811-VN820, VR401-VR401, VR426-VR426 |
| 125 | 22 | PA | D02160 | 30 | | 73-21-19 | D08030J | 14 | | R2 | 2 | | VN657-VN670, VS111-VS111 |
| 126 | 22 | PA | D02160 | 32 | | 73-21-19 | D08030J | 30 | | L2 | 3 | | VK090-VK130, VK141-VK160, VL701-VL750, VL941-VL945, VM999-VM999, VN055-VN080, VN191-VN210, VN291-VN300, VN651-VN656, VN676-VN680, VN731-VN790, VN811-VN820, VR401-VR401, VR426-VR426 |
| 126 | 22 | PA | D02160 | 32 | | 73-21-19 | D08030J | 30 | | L2 | 2 | | VN657-VN670, VS111-VS111 |
| 127 | 22 | PA | D02160 | 43 | | 73-21-17 | GDX0001 | D.. | 2 | L2 | 4 | | VK090-VK130, VK141-VK160, VL701-VL750, VL941-VL945, VM999-VM999, VN055-VN080, VN191-VN210, VN291-VN300, VN651-VN656, VN676-VN680, VN731-VN790, VN811-VN820, VR401-VR401, VR426-VR426 |
| 127 | 22 | PA | D02160 | 43 | | 73-21-17 | GDX0001 | D.. | 2 | L2 | 2 | | VN657-VN670, VS111-VS111 |
| 130 | 24 | PK | D02160 | 41 | | 22-32-13 | D05277J | 11 | | L2 | 3 | | VK090-VK130, VK141-VK160, VL701-VL750, VL941-VL945, VM999-VM999, VN055-VN080, VN191-VN210, VN291-VN300, VN651-VN656, VN676-VN680, VN731-VN790, VN811-VN820, VR401-VR401, VR426-VR426 |
| 130 | 24 | PK | D02160 | 41 | | 22-32-13 | D05277J | 11 | | L2 | 2 | | VN657-VN670, VS111-VS111 |

 286T1078-302
 Wire Bundle Assembly
 Figure 108 (Sheet 25)

25-71-01



BOEING
COMPONENT
MAINTENANCE MANUAL

| WIRE | | | FROM EQUIPMENT | | | TO EQUIPMENT | | | WIRE INFO | | | | |
|--------|----|-----|----------------|------|----|--------------|---------|------|-----------|---------|----|-------|--|
| NUMBER | GA | TYP | NUMBER | TERM | TT | WDM REF | NUMBER | TERM | TT | EMC/SEP | FT | NOTES | EFFECTIVITY |
| 135 | 24 | PK | D05209J | 20 | | 31-51-42 | TB0182D | A026 | 2 | L2 | 3 | | VK090-VK130, VK141-VK160, VL701-VL750, VL941-VL945, VM999-VM999, VN055-VN080, VN191-VN210, VN291-VN300, VN651-VN656, VN676-VN680, VN731-VN790, VN811-VN820, VR401-VR401, VR426-VR426 |
| 135 | 24 | PK | D05209J | 20 | | 31-51-42 | TB0182D | A026 | 2 | L2 | 2 | | VN657-VN670, VS111-VS111 |
| 136 | 24 | PK | D08068J | 30 | | 36-11-41 | TB0248Y | A003 | BJ | L2 | 3 | | VK090-VK130, VK141-VK160, VL701-VL750, VL941-VL945, VM999-VM999, VN055-VN080, VN191-VN210, VN291-VN300, VN651-VN656, VN676-VN680, VN731-VN790, VN811-VN820, VR401-VR401, VR426-VR426 |
| 136 | 24 | PK | D08068J | 30 | | 36-11-41 | TB0248Y | A003 | BJ | L2 | 2 | | VN657-VN670, VS111-VS111 |
| 137 | 24 | PK | D08068J | 30 | | 36-11-41 | TB0248Y | A003 | BJ | L2 | 2 | | VN657-VN670, VS111-VS111 |
| 137 | 24 | PK | TB0182X | D015 | BJ | 73-21-16 | D02160 | 61 | | L2 | 4 | | VK090-VK130, VK141-VK160, VL701-VL750, VL941-VL945, VM999-VM999, VN055-VN080, VN191-VN210, VN291-VN300, VN651-VN656, VN676-VN680, VN731-VN790, VN811-VN820, VR401-VR401, VR426-VR426 |
| 137 | 24 | PK | TB0182X | D015 | BJ | 73-21-16 | D02160 | 61 | | L2 | 3 | | VN657-VN670, VS111-VS111 |
| 140 | 24 | PK | D02160 | 9 | | 73-21-17 | D08030J | 36 | | L2 | 3 | | VK090-VK130, VK141-VK160, VL701-VL750, VL941-VL945, VM999-VM999, VN055-VN080, VN191-VN210, VN291-VN300, VN651-VN656, VN676-VN680, VN731-VN790, VN811-VN820, VR401-VR401, VR426-VR426 |
| 140 | 24 | PK | D02160 | 9 | | 73-21-17 | D08030J | 36 | | L2 | 3 | | VN657-VN670, VS111-VS111 |
| 140 | 24 | PK | D02160 | 36 | | 73-21-16 | D08030J | 34 | | L2 | 3 | | VK090-VK130, VK141-VK160, VL701-VL750, VL941-VL945, VM999-VM999, VN055-VN080, VN191-VN210, VN291-VN300, VN651-VN656, VN676-VN680, VN731-VN790, VN811-VN820, VR401-VR401, VR426-VR426 |
| 140 | 24 | PK | D02160 | 36 | | 73-21-16 | D08030J | 34 | | L2 | 3 | | VN657-VN670, VS111-VS111 |
| 141 | 24 | PK | D02160 | 36 | | 73-21-16 | D08030J | 34 | | L2 | 3 | | VK090-VK130, VK141-VK160, VL701-VL750, VL941-VL945, VM999-VM999, VN055-VN080, VN191-VN210, VN291-VN300, VN651-VN656, VN676-VN680, VN731-VN790, VN811-VN820, VR401-VR401, VR426-VR426 |
| 141 | 24 | PK | D02160 | 36 | | 73-21-16 | D08030J | 34 | | L2 | 3 | | VN657-VN670, VS111-VS111 |
| 141 | 24 | PK | D02160 | 36 | | 73-21-16 | D08030J | 34 | | L2 | 2 | | VN657-VN670, VS111-VS111 |

286T1078-302
Wire Bundle Assembly
Figure 108 (Sheet 26)

25-71-01

TESTING & FAULT ISOLATION
01 Page 126M
Nov 01/02

| WIRE | | | FROM EQUIPMENT | | | TO EQUIPMENT | | | WIRE INFO | | | |
|--------|----|-----|----------------|---------|----------|--------------|---------|---------|-----------|-------|--|--|
| NUMBER | GA | TYP | NUMBER | TERM FT | WDM REF | NUMBER | TERM FT | EMC/SEP | FT | NOTES | EFFECTIVITY | |
| 142 | 24 | PV | D02160 | 1 | 73-21-16 | D08030J | 8 | L2 | 4 | | VN191-VN192, VN651-VN656 | |
| 142 | 24 | PK | D02160 | 1 | 73-21-16 | D08030J | 8 | L2 | 4 | | VN291-VN300, VN676-VN680 | |
| 142Z | | | D02160 | | 73-21-16 | D08030J | 5 | L2 | | | VN191-VN192, VN651-VN656 | |
| 143 | 24 | PK | D02160 | 2 | 22-32-13 | D05277J | 8 | L2 | 3 | | VK090-VK130, VK141-VK160, VL701-VL750, VL941-VL945, VM999-VM999, VN055-VN080, VN191-VN210, VN291-VN300, VN651-VN656, VN676-VN680, VN731-VN790, VN811-VN820, VR401-VR401, VR426-VR426 | |
| 143 | 24 | PK | D02160 | 2 | 22-32-13 | D05277J | 8 | L2 | 2 | | VN657-VN670, VS111-VS111 | |
| 144 | 24 | PK | D02160 | 26 | 73-21-17 | TB0182X | D012 BJ | R2 | 4 | | VK090-VK130, VK141-VK160, VL701-VL750, VL941-VL945, VM999-VM999, VN055-VN080, VN191-VN210, VN291-VN300, VN651-VN656, VN676-VN680, VN731-VN790, VN811-VN820, VR401-VR401, VR426-VR426 | |
| 144 | 24 | PK | D02160 | 26 | 73-21-17 | TB0182X | D012 BJ | R2 | 3 | | VN657-VN670, VS111-VS111 | |
| 145 | 24 | PK | D02160 | 15 | 22-32-13 | D05277J | 10 | L2 | 3 | | VK090-VK130, VK141-VK160, VL701-VL750, VL941-VL945, VM999-VM999, VN055-VN080, VN191-VN210, VN291-VN300, VN651-VN656, VN676-VN680, VN731-VN790, VN811-VN820, VR401-VR401, VR426-VR426 | |
| 145 | 24 | PK | D02160 | 15 | 22-32-13 | D05277J | 10 | L2 | 2 | | VN657-VN670, VS111-VS111 | |
| 146 | 24 | PK | D02160 | 49 | 73-21-17 | D08030J | 37 | R2 | 3 | | VK090-VK130, VK141-VK160, VL701-VL750, VL941-VL945, VM999-VM999, VN055-VN080, VN191-VN210, VN291-VN300, VN651-VN656, VN676-VN680, VN731-VN790, VN811-VN820, VR401-VR401, VR426-VR426 | |
| 146 | 24 | PK | D02160 | 49 | 73-21-17 | D08030J | 37 | R2 | 2 | | VN657-VN670, VS111-VS111 | |
| 147 | 24 | PV | D02160 | 19 | 73-31-15 | TB0248Y | A007 BJ | L2 | 5 | | VN191-VN192, VN651-VN656 | |
| 147 | 24 | PK | D02160 | 19 | 73-21-15 | TB0182G | 24 2 | L2 | 4 | | VN291-VN300, VN676-VN680 | |
| 147Z | | | D02160 | | 73-21-15 | TB0248Y | A008 BJ | L2 | | | VN191-VN192, VN651-VN656 | |

286T1078-302
Wire Bundle Assembly
Figure 108 (Sheet 27)

25-71-01

TESTING & FAULT ISOLATION
01 Page 126N
Nov 01/02



BOEING
COMPONENT
MAINTENANCE MANUAL

| WIRE | | | FROM EQUIPMENT | | | TO EQUIPMENT | | | WIRE INFO | | | | |
|--------|----|-----|----------------|------|----|--------------|---------|------|-----------|---------|----|-------|--|
| NUMBER | GA | TYP | NUMBER | TERM | TT | WDM REF | NUMBER | TERM | TT | EMC/SEP | FT | NOTES | EFFECTIVITY |
| 148 | 24 | PV | D02160 | 55 | | 73-21-15 | TB0182X | C014 | BJ | L2 | 4 | | VN191-VN192, VN651-VN656 |
| 148 | 24 | PK | D02160 | 55 | | 73-21-15 | TB0182X | C014 | BJ | L2 | 4 | | VN291-VN300 |
| 148 | 24 | PK | D02160 | 55 | | 73-21-15 | TB0182Y | A014 | BJ | L2 | 4 | | VN676-VN680 |
| 148Z | | | D02160 | | | 73-21-15 | TB0182X | C013 | BJ | L2 | | | VN191-VN192, VN651-VN656 |
| 155 | 24 | PK | D02160 | 44 | | 73-21-15 | TB0158F | C026 | 2 | L2 | 4 | | VK090-VK130, VK141-VK160, VL701-VL750, VL941-VL945, VM999-VM999, VN055-VN080, VN191-VN210, VN291-VN300, VN651-VN656, VN676-VN680, VN731-VN790, VN811-VN820, VR401-VR401, VR426-VR426 |
| 155 | 24 | PK | D02160 | 44 | | 73-21-15 | TB0158F | C026 | 2 | L2 | 3 | | VN657-VN670, VS111-VS111 |
| 156 | 24 | PK | D08068J | 51 | | 30-31-11 | TB0248Y | C013 | BJ | L2 | 3 | | VK090-VK130, VK141-VK160, VL701-VL750, VL941-VL945, VM999-VM999, VN055-VN080, VN191-VN210, VN291-VN300, VN651-VN656, VN676-VN680, VN731-VN790, VN811-VN820, VR401-VR401, VR426-VR426 |
| 156 | 24 | PK | D08068J | 51 | | 30-31-11 | TB0248Y | C013 | BJ | L2 | 2 | | VN657-VN670, VS111-VS111 |
| 157 | 22 | PA | D08068J | 17 | | 36-11-51 | TB0248X | B002 | BJ | L2 | 3 | | VK090-VK130, VK141-VK160, VL701-VL750, VL941-VL945, VM999-VM999, VN055-VN080, VN191-VN210, VN291-VN300, VN651-VN656, VN676-VN680, VN731-VN790, VN811-VN820, VR401-VR401, VR426-VR426 |
| 157 | 22 | PA | D08068J | 17 | | 36-11-51 | TB0248X | B002 | BJ | L2 | 2 | | VN657-VN670, VS111-VS111 |
| 161 | 24 | PK | D08112J | 22 | | 73-21-18 | TB0182X | A008 | BJ | L2 | 3 | | VK090-VK130, VK141-VK160, VL701-VL750, VL941-VL945, VM999-VM999, VN055-VN080, VN191-VN210, VN291-VN300, VN651-VN656, VN676-VN680, VN731-VN790, VN811-VN820, VR401-VR401, VR426-VR426 |
| 161 | 24 | PK | D08112J | 22 | | 73-21-18 | TB0182X | A008 | BJ | L2 | 2 | | VN657-VN670, VS111-VS111 |

286T1078-302
Wire Bundle Assembly
Figure 108 (Sheet 28)

25-71-01

| WIRE | | FROM EQUIPMENT | | | TO EQUIPMENT | | | WIRE INFO | | | | | |
|--------|----|----------------|--------|------|--------------|----------|---------|-----------|----|---------|----|-------|--|
| NUMBER | GA | TYP | NUMBER | TERM | TT | WDM REF | NUMBER | TERM | TT | EMC/SEP | FT | NOTES | EFFECTIVITY |
| 162 | 22 | PA | D02160 | 31 | | 73-21-19 | TB0182X | A011 | BJ | L2 | 4 | | VK090-VK130, VK141-VK160, VL701-VL750, VL941-VL945, VM999-VM999, VN055-VN080, VN191-VN210, VN651-VN656, VN731-VN790, VN811-VN820, VR401-VR426-VR426 |
| 162 | 22 | PA | D02160 | 31 | | 73-21-19 | TB0182Y | C006 | BJ | L2 | 4 | | VN291-VN300, VN676-VN680 |
| 162 | 22 | PA | D02160 | 31 | | 73-21-19 | TB0182X | A011 | BJ | L2 | 3 | | VN657-VN670, VS111-VS111 |
| 164 | 24 | PV | D02160 | 57 | | 73-21-15 | TB0248Y | C007 | BJ | L2 | 5 | | VN191-VN192, VN651-VN656 |
| 164 | 24 | PK | D02160 | 57 | | 73-21-15 | TB0182Y | A003 | BJ | L2 | 4 | | VN291-VN300, VN676-VN680 |
| 164Z | | | D02160 | | | 73-21-15 | TB0248Y | C008 | BJ | L2 | | | VN191-VN192, VN651-VN656 |
| 165 | 24 | PK | D02160 | 13 | | 22-32-13 | D05277J | 9 | | L2 | 3 | | VK090-VK130, VK141-VK160, VL701-VL750, VL941-VL945, VM999-VM999, VN055-VN080, VN191-VN210, VN291-VN300, VN651-VN656, VN676-VN680, VN731-VN790, VN811-VN820, VR401-VR401, VR426-VR426 |
| 165 | 24 | PK | D02160 | 13 | | 22-32-13 | D05277J | 9 | | L2 | 2 | | VN657-VN670, VS111-VS111 |
| 166 | 24 | PV | D02160 | 3 | | 73-21-15 | D08030J | 12 | | L2 | 4 | | VN191-VN192, VN651-VN656 |
| 166 | 24 | PK | D02160 | 3 | | 73-21-15 | D08030J | 12 | | L2 | 4 | | VN291-VN300, VN676-VN680 |
| 166Z | | | D02160 | | | 73-21-15 | D08030J | 9 | | L2 | | | VN191-VN192, VN651-VN656 |
| 167 | 24 | PK | D02160 | 38 | | 73-21-15 | TB0182Y | C005 | BJ | R2 | 4 | | VK090-VK130, VK141-VK160, VL701-VL750, VL941-VL945, VM999-VM999, VN055-VN080, VN191-VN210, VN291-VN300, VN651-VN656, VN676-VN680, VN731-VN790, VN811-VN820, VR401-VR401, VR426-VR426 |
| 167 | 24 | PK | D02160 | 38 | | 73-21-15 | TB0182Y | C005 | BJ | R2 | 3 | | VN657-VN670, VS111-VS111 |
| 168 | 24 | PK | D02160 | 4 | | 22-32-13 | D05277J | 12 | | L2 | 3 | | VK090-VK130, VK141-VK160, VL701-VL750, VL941-VL945, VM999-VM999, VN055-VN080, VN191-VN210, VN291-VN300, VN651-VN656, VN676-VN680, VN731-VN790, VN811-VN820, VR401-VR401, VR426-VR426 |
| 168 | 24 | PK | D02160 | 4 | | 22-32-13 | D05277J | 12 | | L2 | 2 | | VN657-VN670, VS111-VS111 |

 286T1078-302
 Wire Bundle Assembly
 Figure 108 (Sheet 29)

25-71-01



BOEING
COMPONENT
MAINTENANCE MANUAL

| WIRE | | | FROM EQUIPMENT | | | | TO EQUIPMENT | | | | WIRE INFO | | | |
|--------|----|-----|----------------|------|----|----------|--------------|------|----|---------|-----------|-------|--|--|
| NUMBER | GA | TYP | NUMBER | TERM | TT | WDM REF | NUMBER | TERM | TT | EMC/SEP | FT | NOTES | EFFECTIVITY | |
| 169 | 24 | PK | D02160 | 22 | | 73-21-15 | TB0182Y | C005 | BJ | L2 | 4 | | VK090-VK130, VK141-VK160, VL701-VL750, VL941-VL945, VM999-VM999, VN055-VN080, VN191-VN210, VN291-VN300, VN651-VN656, VN676-VN680, VN731-VN790, VN811-VN820, VR401-VR401, VR426-VR426 | |
| 169 | 24 | PK | D02160 | 22 | | 73-21-15 | TB0182Y | C005 | BJ | L2 | 3 | | VN657-VN670, VS111-VS111 | |
| 171 | 24 | PK | D02160 | 33 | | 73-21-15 | TB0158G | 10 | 2 | L2 | 4 | | VK090-VK130, VK141-VK160, VL701-VL750, VL941-VL945, VM999-VM999, VN055-VN080, VN191-VN210, VN291-VN300, VN651-VN656, VN676-VN680, VN731-VN790, VN811-VN820, VR401-VR401, VR426-VR426 | |
| 171 | 24 | PK | D02160 | 33 | | 73-21-15 | TB0158G | 10 | 2 | L2 | 3 | | VN657-VN670, VS111-VS111 | |
| 174 | 24 | PK | D02160 | 53 | | 73-21-15 | TB0158F | A015 | 2 | L2 | 4 | | VK090-VK130, VK141-VK160, VL701-VL750, VL941-VL945, VM999-VM999, VN055-VN080, VN191-VN210, VN291-VN300, VN651-VN656, VN676-VN680, VN731-VN790, VN811-VN820, VR401-VR401, VR426-VR426 | |
| 174 | 24 | PK | D02160 | 53 | | 73-21-15 | TB0158F | A015 | 2 | L2 | 3 | | VN657-VN670, VS111-VS111 | |
| 175 | 24 | PK | D02160 | 54 | | 73-21-15 | TB0158F | C015 | 2 | L2 | 4 | | VK090-VK130, VK141-VK160, VL701-VL750, VL941-VL945, VM999-VM999, VN055-VN080, VN191-VN210, VN291-VN300, VN651-VN656, VN676-VN680, VN731-VN790, VN811-VN820, VR401-VR401, VR426-VR426 | |
| 175 | 24 | PK | D02160 | 54 | | 73-21-15 | TB0158F | C015 | 2 | L2 | 3 | | VN657-VN670, VS111-VS111 | |
| 176 | 24 | PK | D08112J | 25 | | 36-11-52 | TB0248X | A011 | BJ | L2 | 3 | | VK090-VK130, VK141-VK160, VL701-VL750, VL941-VL945, VM999-VM999, VN055-VN080, VN191-VN210, VN291-VN300, VN651-VN656, VN676-VN680, VN731-VN790, VN811-VN820, VR401-VR401, VR426-VR426 | |
| 176 | 24 | PK | D08112J | 25 | | 36-11-52 | TB0248X | A011 | BJ | L2 | 2 | | VN657-VN670, VS111-VS111 | |

286T1078-302
Wire Bundle Assembly
Figure 108 (Sheet 30)

25-71-01



COMPONENT
MAINTENANCE MANUAL

| WIRE | | | FROM EQUIPMENT | | | | TO EQUIPMENT | | | | WIRE INFO | | | |
|--------|----|-----|----------------|------|----|----------|--------------|------|----|---------|-----------|-------|--|--|
| NUMBER | GA | TYP | NUMBER | TERM | TT | WDM REF | NUMBER | TERM | TT | EMC/SEP | FT | NOTES | EFFECTIVITY | |
| 177 | 24 | PK | D08112J | 4 | | 36-11-61 | D01886 | 37 | | L2 | 3 | | VK090-VK130, VK141-VK160, VL701-VL750, VL941-VL945, VM999-VM999, VN055-VN080, VN191-VN210, VN291-VN300, VN651-VN656, VN676-VN680, VN731-VN790, VN811-VN820, VR401-VR401, VR426-VR426 | |
| 177 | 24 | PK | D08112J | 4 | | 36-11-61 | D01886 | 37 | | L2 | 2 | | VN657-VN670, VS111-VS111 | |
| 178 | 24 | PK | D02160 | 37 | | 34-61-13 | TB0182Y | A005 | BJ | L2 | 4 | | VK090-VK130, VK141-VK160, VL701-VL750, VL941-VL945, VM999-VM999, VN055-VN080, VN191-VN210, VN291-VN300, VN651-VN656, VN676-VN680, VN731-VN790, VN811-VN820, VR401-VR401, VR426-VR426 | |
| 178 | 24 | PK | D02160 | 37 | | 34-61-13 | TB0182Y | A005 | BJ | L2 | 3 | | VN657-VN670, VS111-VS111 | |
| 179 | 24 | PK | D02160 | 7 | | 34-61-13 | TB0182Y | A004 | BJ | L2 | 4 | | VK090-VK130, VK141-VK160, VL701-VL750, VL941-VL945, VM999-VM999, VN055-VN080, VN191-VN210, VN291-VN300, VN651-VN656, VN676-VN680, VN731-VN790, VN811-VN820, VR401-VR401, VR426-VR426 | |
| 179 | 24 | PK | D02160 | 7 | | 34-61-13 | TB0182Y | A004 | BJ | L2 | 3 | | VN657-VN670, VS111-VS111 | |
| 180 | 24 | PK | D02160 | 45 | | 34-61-13 | TB0182Y | A009 | BJ | L2 | 4 | | VK090-VK130, VK141-VK160, VL701-VL750, VL941-VL945, VM999-VM999, VN055-VN080, VN191-VN210, VN291-VN300, VN651-VN656, VN676-VN680, VN731-VN790, VN811-VN820, VR401-VR401, VR426-VR426 | |
| 180 | 24 | PK | D02160 | 45 | | 34-61-13 | TB0182Y | A009 | BJ | L2 | 3 | | VN657-VN670, VS111-VS111 | |
| 181 | 24 | PK | D02160 | 25 | | 34-61-13 | TB0182Y | C009 | BJ | L2 | 4 | | VK090-VK130, VK141-VK160, VL701-VL750, VL941-VL945, VM999-VM999, VN055-VN080, VN191-VN210, VN291-VN300, VN651-VN656, VN676-VN680, VN731-VN790, VN811-VN820, VR401-VR401, VR426-VR426 | |
| 181 | 24 | PK | D02160 | 25 | | 34-61-13 | TB0182Y | C009 | BJ | L2 | 3 | | VN657-VN670, VS111-VS111 | |

286T1078-302
Wire Bundle Assembly
Figure 108 (Sheet 31)

25-71-01



BOEING
COMPONENT
MAINTENANCE MANUAL

| WIRE | | FROM EQUIPMENT | | | TO EQUIPMENT | | | WIRE INFO | | | | | |
|--------|----|----------------|---------|------|--------------|----------|---------|-----------|----|----------|----|-------|--|
| NUMBER | GA | TYP | NUMBER | TERM | TT | WDM REF | NUMBER | TERM | TT | EMC/ SEP | FT | NOTES | EFFECTIVITY |
| 182 | 24 | PK | D02160 | 35 | | 34-61-13 | TB0182Y | A010 | BJ | L2 | 4 | | VK090-VK130, VK141-VK160, VL701-VL750, VL941-VL945, VM999-VM999, VN055-VN080, VN191-VN210, VN291-VN300, VN651-VN656, VN676-VN680, VN731-VN790, VN811-VN820, VR401-VR401, VR426-VR426 |
| 182 | 24 | PK | D02160 | 35 | | 34-61-13 | TB0182Y | A010 | BJ | L2 | 3 | | VN657-VN670, VS111-VS111 |
| 184 | 24 | PV | TB0158G | 1 | 2 | 34-61-13 | D05209J | 1 | | R2 | 3 | | VK090-VK095, VN055-VN058, VN191-VN192 |
| 184 | 24 | PV | TB0158Y | A003 | BJ | 34-61-13 | D05209J | 1 | | R2 | 4 | | VK096-VK130, VK141-VK160, VL701-VL750, VL941-VL945, VM999-VM999, VN059-VN080, VN193-VN210, VN291-VN300, VN651-VN656, VN676-VN680, VN751-VN790, VN811-VN820, VR401-VR401, VR426-VR426 |
| 184 | 24 | PV | TB0158Y | A003 | BJ | 34-61-13 | D05209J | 1 | | R2 | 2 | | VN657-VN670, VS111-VS111 |
| 184Z | 24 | PV | TB0158G | DED | | 34-61-13 | D05209J | DED | | R2 | 4 | | VN731-VN750 |
| 184Z | 24 | PV | TB0158Y | DED | | 34-61-13 | D05209J | DED | | L2 | | | VK090-VK099, VN055-VN062, VN191-VN192 |
| 184Z | 24 | PV | TB0158Y | DED | | 34-61-13 | D05209J | DED | | L2 | | | VK100-VK130, VK141-VK160, VL701-VL750, VL941-VL945, VM999-VM999, VN063-VN080, VN193-VN210, VN291-VN300, VN651-VN670, VN676-VN680, VN751-VN790, VN811-VN820, VR401-VR401, VR426-VR426, VS111-VS111, |
| 184Z | 24 | PV | TB0158Y | DED | | 34-61-13 | D05209J | DED | | L2 | | | VN731-VN750 |
| 185 | 24 | PV | TB0158G | 18 | 2 | 34-61-13 | D05209J | 2 | | R2 | 3 | | VK090-VK130, VK141-VK160, VL701-VL750, VL941-VL945, VM999-VM999, VN055-VN080, VN191-VN210, VN291-VN300, VN651-VN656, VN676-VN680, VN731-VN790, VN811-VN820, VR401-VR401, VR426-VR426 |
| 185Z | 24 | PV | TB0158G | DED | | 34-61-13 | D05209J | DED | | R2 | 2 | | VN657-VN670, VS111-VS111 |

286T1078-302
Wire Bundle Assembly
Figure 108 (Sheet 32)

25-71-01

TESTING & FAULT ISOLATION
01 Page 126S
Nov 01/02

| WIRES | | FROM EQUIPMENT | | | TO EQUIPMENT | | | WIRES INFO | | | | | |
|--------|----|----------------|---------|------|--------------|----------|---------|------------|----|---------|----|-------|--|
| NUMBER | GA | TYP | NUMBER | TERM | TT | WDM REF | NUMBER | TERM | TT | EMC/SEP | FT | NOTES | EFFECTIVITY |
| 186 | 24 | PV | TB0158G | 21 | 2 | 34-61-13 | D05209J | 3 | | R2 | 3 | | VK090-VK130, VK141-VK160, VL701-VL750, VL941-VL945, VM999-VM999, VN055-VN080, VN191-VN210, VN291-VN300, VN651-VN656, VN676-VN680, VN731-VN790, VN811-VN820, VR401-VR401, VR426-VR426 |
| 186 | 24 | PV | TB0158G | 21 | 2 | 34-61-13 | D05209J | 3 | | R2 | 2 | | VN657-VN670, VS111-VS111 |
| 186Z | | | TB0158G | DED | | 34-61-13 | D05209J | DED | | L2 | | | |
| 187 | 24 | PV | TB0158G | 22 | 2 | 34-61-13 | D05209J | 4 | | R2 | 3 | | VK090-VK130, VK141-VK160, VL701-VL750, VL941-VL945, VM999-VM999, VN055-VN080, VN191-VN210, VN291-VN300, VN651-VN656, VN676-VN680, VN731-VN790, VN811-VN820, VR401-VR401, VR426-VR426 |
| 187 | 24 | PV | TB0158G | 22 | 2 | 34-61-13 | D05209J | 4 | | R2 | 2 | | VN657-VN670, VS111-VS111 |
| 187Z | | | TB0158G | DED | | 34-61-13 | D05209J | DED | | L2 | | | |
| 188 | 24 | PV | TB0158G | 23 | 2 | 34-61-13 | D05209J | 5 | | R2 | 3 | | VK090-VK130, VK141-VK160, VL701-VL750, VL941-VL945, VM999-VM999, VN055-VN080, VN191-VN210, VN291-VN300, VN651-VN656, VN676-VN680, VN731-VN790, VN811-VN820, VR401-VR401, VR426-VR426 |
| 188 | 24 | PV | TB0158G | 23 | 2 | 34-61-13 | D05209J | 5 | | R2 | 2 | | VN657-VN670, VS111-VS111 |
| 188Z | | | TB0158G | DED | | 34-61-13 | D05209J | DED | | L2 | | | |
| 189 | 24 | PK | TB0182Y | A005 | BJ | 34-61-13 | D05209J | 6 | | L2 | 3 | | VK090-VK130, VK141-VK160, VL701-VL750, VL941-VL945, VM999-VM999, VN055-VN080, VN191-VN210, VN291-VN300, VN651-VN656, VN676-VN680, VN731-VN790, VN811-VN820, VR401-VR401, VR426-VR426 |
| 189 | 24 | PK | TB0182Y | A005 | BJ | 34-61-13 | D05209J | 6 | | L2 | 2 | | VN657-VN670, VS111-VS111 |

286T1078-302
Wire Bundle Assembly
Figure 108 (Sheet 33)

25-71-01



BOEING
COMPONENT
MAINTENANCE MANUAL

| WIRE | | FROM EQUIPMENT | | | TO EQUIPMENT | | | WIRE INFO | | | | | |
|--------|----|----------------|---------|------|--------------|----------|---------|-----------|----|---------|----|-------|--|
| NUMBER | GA | TYP | NUMBER | TERM | TT | WDM REF | NUMBER | TERM | TT | EMC/SEP | FT | NOTES | EFFECTIVITY |
| 190 | 24 | PK | TB0182Y | A004 | BJ | 34-61-13 | D05209J | 7 | | L2 | 3 | | VK090-VK130, VK141-VK160, VL701-VL750, VL941-VL945, VM999-VM999, VN055-VN080, VN191-VN210, VN291-VN300, VN651-VN656, VN676-VN680, VN731-VN790, VN811-VN820, VR401-VR401, VR426-VR426 |
| 190 | 24 | PK | TB0182Y | A004 | BJ | 34-61-13 | D05209J | 7 | | L2 | 2 | | VN657-VN670, VS111-VS111 |
| 191 | 24 | PK | TB0182Y | A009 | BJ | 34-61-13 | D05209J | 8 | | L2 | 3 | | VK090-VK130, VK141-VK160, VL701-VL750, VL941-VL945, VM999-VM999, VN055-VN080, VN191-VN210, VN291-VN300, VN651-VN656, VN676-VN680, VN731-VN790, VN811-VN820, VR401-VR401, VR426-VR426 |
| 191 | 24 | PK | TB0182Y | A009 | BJ | 34-61-13 | D05209J | 8 | | L2 | 2 | | VN657-VN670, VS111-VS111 |
| 192 | 24 | PK | TB0182Y | C009 | BJ | 34-61-13 | D05209J | 9 | | L2 | 3 | | VK090-VK130, VK141-VK160, VL701-VL750, VL941-VL945, VM999-VM999, VN055-VN080, VN191-VN210, VN291-VN300, VN651-VN656, VN676-VN680, VN731-VN790, VN811-VN820, VR401-VR401, VR426-VR426 |
| 192 | 24 | PK | TB0182Y | C009 | BJ | 34-61-13 | D05209J | 9 | | L2 | 2 | | VN657-VN670, VS111-VS111 |
| 193 | 24 | PK | TB0182Y | A010 | BJ | 34-61-13 | D05209J | 10 | | L2 | 3 | | VK090-VK130, VK141-VK160, VL701-VL750, VL941-VL945, VM999-VM999, VN055-VN080, VN191-VN210, VN291-VN300, VN651-VN656, VN676-VN680, VN731-VN790, VN811-VN820, VR401-VR401, VR426-VR426 |
| 193 | 24 | PK | TB0182Y | A010 | BJ | 34-61-13 | D05209J | 10 | | L2 | 2 | | VN657-VN670, VS111-VS111 |
| 194 | 24 | PK | D02672 | 29 | | 27-58-21 | TB0248D | C017 | 2 | L2 | 4 | | VK090-VK130, VK141-VK160, VL701-VL750, VL941-VL945, VM999-VM999, VN055-VN080, VN191-VN210, VN291-VN300, VN651-VN656, VN676-VN680, VN731-VN790, VN811-VN820, VR401-VR401, VR426-VR426 |
| 194 | 24 | PK | D02672 | 29 | | 27-58-21 | TB0248D | C017 | 2 | L2 | 3 | | VN657-VN670, VS111-VS111 |

286T1078-302
Wire Bundle Assembly
Figure 108 (Sheet 34)

25-71-01

| WIRE | | FROM EQUIPMENT | | | TO EQUIPMENT | | | WIRE INFO | | | |
|--------|----|----------------|---------|---------|--------------|---------|---------|-----------|----|-------|--|
| NUMBER | GA | TYP | NUMBER | TERM TT | WDM REF | NUMBER | TERM TT | EMC/SEP | FT | NOTES | EFFECTIVITY |
| 195 | 24 | PK | D08112J | 5 | 36-11-62 | TB0248X | B011 BJ | L2 | 3 | | VK090-VK130, VK141-VK160, VL701-VL750, VL941-VL945, VM999-VM999, VN055-VN080, VN191-VN210, VN291-VN300, VN651-VN656, VN676-VN680, VN731-VN790, VN811-VN820, VR401-VR401, VR426-VR426 |
| 195 | 24 | PK | D08112J | 5 | 36-11-62 | TB0248X | B011 BJ | L2 | 2 | | VN657-VN670, VS111-VS111 |
| 197 | 22 | PA | D02672 | 43 | 27-58-21 | GDX0001 | D.. 2 | L2 | 3 | | VK090-VK130, VK141-VK160, VL701-VL750, VL941-VL945, VM999-VM999, VN055-VN080, VN191-VN210, VN291-VN300, VN651-VN656, VN676-VN680, VN731-VN790, VN811-VN820, VR401-VR401, VR426-VR426 |
| 197 | 22 | PA | D02672 | 43 | 27-58-21 | GDX0001 | D.. 2 | L2 | 2 | | VN657-VN670, VS111-VS111 |
| 198 | 22 | PA | TB0248D | A018 | 27-61-11 | D05277J | 16 | L2 | 3 | | VK090-VK130, VK141-VK160, VL701-VL750, VL941-VL945, VM999-VM999, VN055-VN080, VN191-VN210, VN291-VN300, VN651-VN656, VN676-VN680, VN731-VN790, VN811-VN820, VR401-VR401, VR426-VR426 |
| 198 | 22 | PA | TB0248D | A018 | 27-61-11 | D05277J | 16 | L2 | 2 | | VN657-VN670, VS111-VS111 |
| 199 | 20 | UA | D02160 | 18 | 73-21-15 | GDX0001 | S.. 2 | L2 | 4 | | VN191-VN192, VN651-VN656 |
| 201B | 24 | PL | D02672 | 18 | 27-58-31 | D08030J | 20 | L2 | 3 | | VK090-VK130, VK141-VK160, VL701-VL750, VL941-VL945, VM999-VM999, VN055-VN080, VN191-VN210, VN291-VN300, VN651-VN656, VN676-VN680, VN731-VN790, VN811-VN820, VR401-VR401, VR426-VR426 |
| 201B | 24 | PL | D02672 | 18 | 27-58-31 | D08030J | 20 | L2 | 2 | | VN657-VN670, VS111-VS111 |
| 201R | 24 | PL | D02672 | 17 | 27-58-31 | D08030J | 21 | L2 | 2 | | VN657-VN670, VS111-VS111 |

 286T1078-302
 Wire Bundle Assembly
 Figure 108 (Sheet 35)

25-71-01

 TESTING & FAULT ISOLATION
 01 Page 126V
 Nov 01/02



BOEING
COMPONENT
MAINTENANCE MANUAL

| WIRE | | | FROM EQUIPMENT | | | TO EQUIPMENT | | | WIRE INFO | | | | |
|--------|----|-----|----------------|------|----|--------------|---------|------|-----------|---------|----|-------|--|
| NUMBER | GA | TYP | NUMBER | TERM | TT | WDM REF | NUMBER | TERM | TT | EMC/SEP | FT | NOTES | EFFECTIVITY |
| 202B | 24 | PL | D02672 | 21 | | 22-32-13 | D05277J | 21 | | L2 | 3 | | VK090-VK130, VK141-VK160, VL701-VL750, VL941-VL945, VM999-VM999, VN055-VN080, VN191-VN210, VN291-VN300, VN651-VN656, VN676-VN680, VN731-VN790, VN811-VN820, VR401-VR401, VR426-VR426 |
| 202B | 24 | PL | D02672 | 21 | | 22-32-13 | D05277J | 21 | | L2 | 2 | | VN657-VN670, VS111-VS111 |
| 202R | 24 | PL | D02672 | 19 | | 22-32-13 | D05277J | 20 | | L2 | 3 | | VK090-VK130, VK141-VK160, VL701-VL750, VL941-VL945, VM999-VM999, VN055-VN080, VN191-VN210, VN291-VN300, VN651-VN656, VN676-VN680, VN731-VN790, VN811-VN820, VR401-VR401, VR426-VR426 |
| 203B | 24 | PL | D02672 | 9 | | 27-58-21 | D08030J | 22 | | L2 | 2 | | VN657-VN670, VS111-VS111 |
| 203B | 24 | PL | D02672 | 9 | | 27-58-21 | D08030J | 22 | | L2 | 2 | | VN657-VN670, VS111-VS111 |
| 203R | 24 | PL | D02672 | 10 | | 27-58-21 | D08030J | 23 | | L2 | 3 | | VK090-VK130, VK141-VK160, VL701-VL750, VL941-VL945, VM999-VM999, VN055-VN080, VN191-VN210, VN291-VN300, VN651-VN656, VN676-VN680, VN731-VN790, VN811-VN820, VR401-VR401, VR426-VR426 |
| 204B | 22 | PB | D02672 | 41 | | 27-41-11 | D05277J | 5 | | L2 | 3 | | VN657-VN670, VS111-VS111 |
| 204B | 22 | PB | D02672 | 41 | | 27-41-11 | D05277J | 5 | | L2 | 2 | | VN657-VN670, VS111-VS111 |
| 204R | 22 | PB | D02672 | 40 | | 27-41-11 | D05277J | 4 | | L2 | 3 | | VK090-VK130, VK141-VK160, VL701-VL750, VL941-VL945, VM999-VM999, VN055-VN080, VN191-VN210, VN291-VN300, VN651-VN656, VN676-VN680, VN731-VN790, VN811-VN820, VR401-VR401, VR426-VR426 |
| 207B | 24 | PL | TB0158F | A019 | 2 | 27-51-31 | D08030J | 18 | | L2 | 2 | | VN657-VN670, VS111-VS111 |
| 207B | 24 | PL | TB0158F | A019 | 2 | 27-51-31 | D08030J | 18 | | L2 | 2 | | VN657-VN670, VS111-VS111 |
| 207R | 24 | PL | TB0158F | C019 | 2 | 27-51-31 | D08030J | 19 | | L2 | 2 | | VN657-VN670, VS111-VS111 |

286T1078-302
Wire Bundle Assembly
Figure 108 (Sheet 36)

25-71-01

TESTING & FAULT ISOLATION
01 Page 126W
Nov 01/02

| WIRE | | | FROM EQUIPMENT | | | TO EQUIPMENT | | | WIRE INFO | | |
|--------|----|-----|----------------|---------|----------|--------------|---------|---------|-----------|-------|--|
| NUMBER | GA | TYP | NUMBER | TERM TT | WDM REF | NUMBER | TERM TT | EMC/SEP | FT | NOTES | EFFECTIVITY |
| 208B | 24 | PL | D02672 | 35 | 27-58-21 | D05277J | 32 | L2 | 3 | | VK090-VK130, VK141-VK160, VL701-VL750, VL941-VL945, VM999-VM999, VN055-VN080, VN191-VN210, VN291-VN300, VN651-VN656, VN676-VN680, VN731-VN790, VN811-VN820, VR401-VR401, VR426-VR426 |
| 208B | 24 | PL | D02672 | 35 | 27-58-21 | D05277J | 32 | L2 | 2 | | VN657-VN670, VS111-VS111 |
| 208R | 24 | PL | D02672 | 31 | 27-58-21 | D05277J | 33 | L2 | | | |
| 211B | 24 | PW | D08030J | 40 | 77-12-12 | TB0182X | B007 BJ | L2 | 3 | | VK090-VK130, VK141-VK160, VL701-VL750, VL941-VL945, VM999-VM999, VN055-VN080, VN191-VN210, VN291-VN300, VN651-VN656, VN676-VN680, VN731-VN790, VN811-VN820, VR401-VR401, VR426-VR426 |
| 211B | 24 | PW | D08030J | 40 | 77-12-12 | TB0182X | B007 BJ | L2 | 2 | | VN657-VN670, VS111-VS111 |
| 211R | 24 | PW | D08030J | 38 | 77-12-12 | TB0182X | A007 BJ | L2 | | | |
| 211Z | 24 | PW | D08030J | 49 | 77-12-12 | TB0182X | D008 BJ | L2 | | | |
| 212B | 24 | PW | D04978J | 39 | 77-12-12 | TB0248X | B016 BJ | L2 | 3 | | VK090-VK130, VK141-VK160, VL701-VL750, VL941-VL945, VM999-VM999, VN055-VN080, VN191-VN210, VN291-VN300, VN651-VN656, VN676-VN680, VN731-VN790, VN811-VN820, VR401-VR401, VR426-VR426 |
| 212B | 24 | PW | D04978J | 39 | 77-12-12 | TB0248X | B016 BJ | L2 | 2 | | VN657-VN670, VS111-VS111 |
| 212R | 24 | PW | D04978J | 38 | 77-12-12 | TB0248X | A016 BJ | L2 | | | |
| 212Z | 24 | PW | D04978J | 40 | 77-12-12 | TB0248X | C016 BJ | L2 | | | |
| 240 | 22 | PA | D08112J | 36 | 36-11-61 | D01886 | 27 | L2 | 3 | | VK090-VK130, VK141-VK160, VL701-VL750, VL941-VL945, VM999-VM999, VN055-VN080, VN191-VN210, VN291-VN300, VN651-VN656, VN676-VN680, VN731-VN790, VN811-VN820, VR401-VR401, VR426-VR426 |
| 240 | 22 | PA | D08112J | 36 | 36-11-61 | D01886 | 27 | L2 | 2 | | VN657-VN670, VS111-VS111 |

 286T1078-302
 Wire Bundle Assembly
 Figure 108 (Sheet 37)

25-71-01

 TESTING & FAULT ISOLATION
 01 Page 126X
 Nov 01/02



BOEING
COMPONENT
MAINTENANCE MANUAL

| WIRE | | | FROM EQUIPMENT | | | | TO EQUIPMENT | | | | WIRE INFO | | | |
|--------|----|-----|----------------|------|----|----------|--------------|------|----|---------|-----------|-------|--|--|
| NUMBER | GA | TYP | NUMBER | TERM | TT | WDM REF | NUMBER | TERM | TT | EMC/SEP | FT | NOTES | EFFECTIVITY | |
| 241 | 22 | PA | D08112J | 37 | | 36-11-61 | D01886 | 61 | | L2 | 3 | | VK090-VK130, VK141-VK160, VL701-VL750, VL941-VL945, VM999-VM999, VN055-VN080, VN191-VN210, VN291-VN300, VN651-VN656, VN676-VN680, VN731-VN790, VN811-VN820, VR401-VR401, VR426-VR426 | |
| 241 | 22 | PA | D08112J | 37 | | 36-11-61 | D01886 | 61 | | L2 | 2 | | VN657-VN670, VS111-VS111 | |
| 242 | 24 | PK | D08112J | 38 | | 36-11-61 | D01886 | 47 | | L2 | 3 | | VK090-VK130, VK141-VK160, VL701-VL750, VL941-VL945, VM999-VM999, VN055-VN080, VN191-VN210, VN291-VN300, VN651-VN656, VN676-VN680, VN731-VN790, VN811-VN820, VR401-VR401, VR426-VR426 | |
| 242 | 24 | PK | D08112J | 38 | | 36-11-61 | D01886 | 47 | | L2 | 2 | | VN657-VN670, VS111-VS111 | |
| 243 | 24 | PK | D08112J | 39 | | 36-11-61 | D01886 | 18 | | L2 | 3 | | VK090-VK130, VK141-VK160, VL701-VL750, VL941-VL945, VM999-VM999, VN055-VN080, VN191-VN210, VN291-VN300, VN651-VN656, VN676-VN680, VN731-VN790, VN811-VN820, VR401-VR401, VR426-VR426 | |
| 243 | 24 | PK | D08112J | 39 | | 36-11-61 | D01886 | 18 | | L2 | 2 | | VN657-VN670, VS111-VS111 | |
| 246 | 24 | PK | D08112J | 23 | | 36-11-61 | D01886 | 65 | | L2 | 3 | | VK090-VK130, VK141-VK160, VL701-VL750, VL941-VL945, VM999-VM999, VN055-VN080, VN191-VN210, VN291-VN300, VN651-VN656, VN676-VN680, VN731-VN790, VN811-VN820, VR401-VR401, VR426-VR426 | |
| 246 | 24 | PK | D08112J | 23 | | 36-11-61 | D01886 | 18 | | L2 | 2 | | VN657-VN670, VS111-VS111 | |
| 247 | 24 | PK | D08112J | 24 | | 36-11-62 | TB0248X | A006 | BJ | L2 | 3 | | VK090-VK130, VK141-VK160, VL701-VL750, VL941-VL945, VM999-VM999, VN055-VN080, VN191-VN210, VN291-VN300, VN651-VN656, VN676-VN680, VN731-VN790, VN811-VN820, VR401-VR401, VR426-VR426 | |
| 247 | 24 | PK | D08112J | 24 | | 36-11-62 | TB0248X | A006 | BJ | L2 | 2 | | VN657-VN670, VS111-VS111 | |

286T1078-302
Wire Bundle Assembly
Figure 108 (Sheet 38)

25-71-01

TESTING & FAULT ISOLATION
01 Page 126Y
Nov 01/02

| WIRE | | | FROM EQUIPMENT | | | TO EQUIPMENT | | | WIRE INFO | | | | |
|--------|----|-----|----------------|------|----|--------------|---------|------|-----------|-------------|----|----------------------------|--|
| NUMBER | GA | TYP | NUMBER | TERM | TT | WDM REF | NUMBER | TERM | TT | EMC/ SEP | FT | NOTES | EFFECTIVITY |
| 248 | 22 | PA | D01886 | 66 | | 36-11-61 | SM00007 | | W | L2 | 3 | | VK090-VK130, VK141-VK160, VL701-VL750, VL941-VL945, VM999-VM999, VN055-VN080, VN191-VN210, VN291-VN300, VN651-VN656, VN676-VN680, VN731-VN790, VN811-VN820, VR401-VR401, VR426-VR426 |
| 248 | 22 | PA | D01886 | 66 | | 36-11-61 | SM00007 | | W | L2 | 2 | | VN657-VN670, VS111-VS111 |
| 249 | 22 | PA | D01886 | 34 | | 36-11-61 | SM00007 | | W | L2 | 3 | | VK090-VK130, VK141-VK160, VL701-VL750, VL941-VL945, VM999-VM999, VN055-VN080, VN191-VN210, VN291-VN300, VN651-VN656, VN676-VN680, VN731-VN790, VN811-VN820, VR401-VR401, VR426-VR426 |
| 249 | 22 | PA | D01886 | 34 | | 36-11-61 | SM00007 | | W | L2 | 2 | | VN657-VN670, VS111-VS111 |
| 251 | 24 | PK | D08112J | 40 | | 36-11-61 | D01886 | 17 | | L2 | 3 | | VK090-VK130, VK141-VK160, VL701-VL750, VL941-VL945, VM999-VM999, VN055-VN080, VN191-VN210, VN291-VN300, VN651-VN656, VN676-VN680, VN731-VN790, VN811-VN820, VR401-VR401, VR426-VR426 |
| 251 | 24 | PK | D08112J | 40 | | 36-11-61 | D01886 | 17 | | L2 | 2 | | VN657-VN670, VS111-VS111 |
| 252 | 22 | PA | D08068J | 44 | | 36-11-51 | SM00001 | | W | L2 | 1 | | VK103-VK130, VK143-VK160, VL701-VL750, VL941-VL945, VM999-VM999, VN065-VN080, VN196-VN210, VN292-VN300, VN653-VN656, VN676-VN680, VN732-VN750, VN754-VN790, VN814-VN820, VR401-VR401, VR426-VR426, |
| 254 | 22 | PA | TB0182Y | A002 | BJ | 21-23-11 | D04978J | 50 | | L2 | 4 | | VN657-VN670, VS111-VS111 |
| 254 | 22 | PA | TB0182Y | A002 | BJ | 21-23-11 | D04978J | 50 | | L2 | 4 | MNT-F2 MLA-T2 ZSZ-B6 | VK141-VK142, VN731-VN731, VN751-VN753 |
| 254 | 22 | PA | TB0182Y | A002 | BJ | 21-23-11 | D04978J | 50 | | L2 | 2 | | VN657-VN670, VS111-VS111 |

286T1078-302
Wire Bundle Assembly
Figure 108 (Sheet 39)

25-71-01



BOEING
COMPONENT
MAINTENANCE MANUAL

| WIRE | | FROM EQUIPMENT | | | TO EQUIPMENT | | | WIRE INFO | | | | | |
|--------|----|----------------|---------|------|--------------|----------|---------|-----------|----|---------|----|----------------------------|--|
| NUMBER | GA | TYP | NUMBER | TERM | TT | WDM REF | NUMBER | TERM | TT | EMC/SEP | FT | NOTES | EFFECTIVITY |
| 255 | 22 | PA | TB0158Y | A001 | BJ | 21-23-11 | D04978J | 51 | | L2 | 4 | | VK103-VK130, VK143-VK160, VL701-VL750, VL941-VL945, VM999-VM999, VN065-VN080, VN196-VN210, VN292-VN300, VN653-VN656, VN676-VN680, VN732-VN750, VN754-VN790, VN814-VN820, VR401-VR401, VR426-VR426, |
| 255 | 22 | PA | TB0158Y | A001 | BJ | 21-23-11 | D04978J | 51 | | L2 | 4 | MNT-F2 MLA-T2 ZSZ-B6 | VK141-VK142, VN731-VN731, VN751-VN753 |
| 255 | 22 | PA | TB0158Y | A001 | BJ | 21-23-11 | D04978J | 51 | | L2 | 2 | | VN657-VN670, VS111-VS111 |
| 301B | 24 | PM | D02672 | 12 | | 27-58-21 | D08030J | 24 | | L2 | 3 | | VK090-VK130, VK141-VK160, VL701-VL750, VL941-VL945, VM999-VM999, VN055-VN080, VN191-VN210, VN291-VN300, VN651-VN656, VN676-VN680, VN731-VN790, VN811-VN820, VR401-VR401, VR426-VR426 |
| 301B | 24 | PM | D02672 | 12 | | 27-58-21 | D08030J | 24 | | L2 | 2 | | VN657-VN670, VS111-VS111 |
| 301R | 24 | PM | D02672 | 13 | | 27-58-21 | D08030J | 25 | | L2 | 2 | | |
| 301Y | 24 | PM | D02672 | 11 | | 27-58-21 | D08030J | 26 | | L2 | 2 | | |
| 302B | 24 | PM | D02672 | 32 | | 27-58-21 | D05277J | 29 | | L2 | 3 | | VK090-VK130, VK141-VK160, VL701-VL750, VL941-VL945, VM999-VM999, VN055-VN080, VN191-VN210, VN291-VN300, VN651-VN656, VN676-VN680, VN731-VN790, VN811-VN820, VR401-VR401, VR426-VR426 |
| 302B | 24 | PM | D02672 | 32 | | 27-58-21 | D05277J | 29 | | L2 | 2 | | VN657-VN670, VS111-VS111 |
| 302R | 24 | PM | D02672 | 33 | | 27-58-21 | D05277J | 30 | | L2 | 2 | | |
| 302Y | 24 | PM | D02672 | 34 | | 27-58-21 | D05277J | 31 | | L2 | 2 | | |
| 500 | 24 | PK | D01884 | 37 | | 21-51-11 | D01886 | 38 | | L2 | 2 | | VK090-VK130, VK141-VK160, VL701-VL750, VL941-VL945, VM999-VM999, VN055-VN080, VN191-VN210, VN291-VN300, VN651-VN656, VN676-VN680, VN731-VN790, VN811-VN820, VR401-VR401, VR426-VR426 |

286T1078-302
Wire Bundle Assembly
Figure 108 (Sheet 40)

25-71-01

TESTING & FAULT ISOLATION
01

Page 127
Nov 01/02

| WIRE | | | FROM EQUIPMENT | | | | TO EQUIPMENT | | | | WIRE INFO | | |
|--------|----|-----|----------------|------|----|----------|--------------|------|----|---------|-----------|-------|--|
| NUMBER | GA | TYP | NUMBER | TERM | TT | WDM REF | NUMBER | TERM | TT | EMC/SEP | FT | NOTES | EFFECTIVITY |
| 500 | 24 | PK | D01884 | 37 | | 21-51-11 | D01886 | 38 | | L2 | 1 | | VN657-VN670, VS111-VS111 |
| 501 | 24 | PK | D01884 | 38 | | 21-51-11 | D04978J | 9 | | L2 | 3 | | VK090-VK130, VK141-VK160, VL701-VL750, VL941-VL945, VM999-VM999, VN055-VN080, VN191-VN210, VN291-VN300, VN651-VN656, VN676-VN680, VN731-VN790, VN811-VN820, VR401-VR401, VR426-VR426 |
| 501 | 24 | PK | D01884 | 38 | | 21-51-11 | D04978J | 9 | | L2 | 2 | | VN657-VN670, VS111-VS111 |
| 502 | 24 | PK | D01884 | 16 | | 21-51-11 | TB0158F | A025 | 2 | L2 | 4 | | VK090-VK130, VK141-VK160, VL701-VL750, VL941-VL945, VM999-VM999, VN055-VN080, VN191-VN210, VN291-VN300, VN651-VN656, VN676-VN680, VN731-VN790, VN811-VN820, VR401-VR401, VR426-VR426 |
| 502 | 24 | PK | D01884 | 16 | | 21-51-11 | TB0158F | A025 | 2 | L2 | 3 | | VN657-VN670, VS111-VS111 |
| 503 | 24 | PK | TB0158F | C025 | 2 | 21-51-21 | D01886 | 4 | | L2 | 4 | | VK090-VK130, VK141-VK160, VL701-VL750, VL941-VL945, VM999-VM999, VN055-VN080, VN191-VN210, VN291-VN300, VN651-VN656, VN676-VN680, VN731-VN790, VN811-VN820, VR401-VR401, VR426-VR426 |
| 503 | 24 | PK | TB0158F | C025 | 2 | 21-51-21 | D01886 | 4 | | L2 | 3 | | VN657-VN670, VS111-VS111 |
| 504 | 22 | PA | D08030J | 16 | | 73-21-11 | D08030J | 47 | | L2 | 3 | | VK090-VK130, VK141-VK160, VN055-VN080, VN731-VN750, VR401-VR401, VR426-VR426 |
| 504 | 18 | PA | D08030J | 16 | DL | 73-21-11 | D08030J | 47 | DL | L2 | 2 | | VL701-VL750, VL941-VL945 |
| 504 | 22 | PA | D08030J | 16 | | 73-21-11 | D08030J | 47 | | L2 | 2 | | VM999-VM999, VN193-VN210, VN811-VN820 |
| 504 | 18 | PA | D08030J | 16 | DL | 73-21-11 | D08030J | 47 | DL | L2 | 2 | | VN657-VN670, VS111-VS111 |
| 504 | 22 | PA | D08030J | 16 | | 73-21-11 | D08030J | 47 | | L2 | 2 | | VN751-VN790 |
| 505 | 24 | PK | D02160 | 11 | | 73-21-15 | TB0158F | A026 | 2 | L2 | 4 | | VK090-VK130, VK141-VK160, VL701-VL750, VL941-VL945, VM999-VM999, VN055-VN080, VN191-VN210, VN291-VN300, VN651-VN656, VN676-VN680, VN731-VN790, VN811-VN820, VR401-VR401, VR426-VR426 |

286T1078-302
Wire Bundle Assembly
Figure 108 (Sheet 41)

25-71-01



BOEING
COMPONENT
MAINTENANCE MANUAL

| WIRE | | | FROM EQUIPMENT | | | TO EQUIPMENT | | | WIRE INFO | | | | |
|--------|----|-----|----------------|------|----|--------------|---------|------|-----------|-------------|----|-------|--|
| NUMBER | GA | TYP | NUMBER | TERM | TT | WDM REF | NUMBER | TERM | TT | EMC/ SEP | FT | NOTES | EFFECTIVITY |
| 505 | 24 | PK | D02160 | 11 | | 73-21-15 | TB0158F | A026 | 2 | L2 | 3 | | VN657-VN670, VS111-VS111 |
| 506 | 24 | PK | D02160 | 12 | | 34-61-13 | D05209J | 11 | | L2 | 3 | | VK090-VK130, VK141-VK160, VL701-VL750, VL941-VL945, VM999-VM999, VN055-VN080, VN191-VN210, VN291-VN300, VN651-VN656, VN676-VN680, VN731-VN790, VN811-VN820, VR401-VR401, VR426-VR426 |
| 506 | 24 | PK | D02160 | 12 | | 34-61-13 | D05209J | 11 | | L2 | 2 | | VN657-VN670, VS111-VS111 |
| 507R | 22 | PH | D04978J | 42 | | 26-18-12 | D01886 | 36 | | L2 | 3 | | VK090-VK130, VK141-VK160, VL701-VL750, VL941-VL945, VM999-VM999, VN055-VN080, VN191-VN210, VN291-VN300, VN651-VN656, VN676-VN680, VN731-VN790, VN811-VN820, VR401-VR401, VR426-VR426 |
| 507R | 22 | PH | D04978J | 42 | | 26-18-12 | D01886 | 36 | | L2 | 2 | | VN657-VN670, VS111-VS111 |
| 508R | 22 | PH | D04978J | 43 | | 26-18-12 | D01886 | 57 | | L2 | 3 | | VK090-VK130, VK141-VK160, VL701-VL750, VL941-VL945, VM999-VM999, VN055-VN080, VN191-VN210, VN291-VN300, VN651-VN656, VN676-VN680, VN731-VN790, VN811-VN820, VR401-VR401, VR426-VR426 |
| 508R | 22 | PH | D04978J | 43 | | 26-18-12 | D01886 | 57 | | L2 | 2 | | VN657-VN670, VS111-VS111 |
| 509 | 24 | PK | D08068J | 39 | | 21-24-11 | TB0182X | A018 | BJ | L2 | 3 | | VN055-VN080 |
| 510 | 22 | PQ | D08030J | 7 | | 73-21-11 | TB0248Y | C007 | BJ | L2 | 3 | | VK090-VK130, VK141-VK160, VR401-VR401, VR426-VR426 |
| 510 | 22 | PQ | D08030J | 7 | | 73-21-11 | TB0248Y | C007 | BJ | L2 | 3 | | VM999-VM999, VN193-VN210, VN811-VN820 |
| 510Z | 24 | PK | D08068J | 43 | | 21-24-11 | TB0182X | D018 | BJ | L2 | 3 | | VN055-VN080 |
| 511 | 22 | PQ | D04978J | 45 | | 73-21-11 | TB0248Y | C008 | BJ | L2 | 3 | | VK090-VK130, VK141-VK160, VM999-VM999, VN193-VL945, VN055-VN080, VN731-VN790, VR401-VR401, VR426-VR426 |
| 511 | 22 | PQ | D04978J | 45 | | 73-21-11 | TB0248Y | C007 | BJ | L2 | 3 | | VM999-VM999, VN193-VN210, VN811-VN820 |

286T1078-302
Wire Bundle Assembly
Figure 108 (Sheet 42)

25-71-01



COMPONENT
MAINTENANCE MANUAL

| WIRE | | | FROM EQUIPMENT | | | TO EQUIPMENT | | | WIRE INFO | | | | |
|--------|----|-----|----------------|------|----|--------------|---------|------|-----------|---------|----|-------|--|
| NUMBER | GA | TYP | NUMBER | TERM | TT | WDM REF | NUMBER | TERM | TT | EMC/SEP | FT | NOTES | EFFECTIVITY |
| 511 | 22 | PQ | D04978J | 45 | | 73-21-11 | TB0248Y | C007 | BJ | L2 | 2 | | VN657-VN670, VS111-VS111 |
| 511Z | | | D04978J | 46 | | 73-21-11 | TB0248Y | C008 | BJ | L2 | | | VK090-VK130, VK141-VK160, VL701-VL750, VL941-VL945, VM999-VM999, VN055-VN080, VN193-VN210, VN657-VN670, VN731-VN790, VN811-VN820, VR401-VR401, VR426-VR426, VS111-VS111 |
| 512 | 22 | PQ | D08030J | 53 | | 73-21-11 | TB0248Y | C007 | BJ | L2 | 3 | | VK090-VK130, VK141-VK160, VR401-VR401, VR426-VR426 |
| 512 | 22 | PQ | D08030J | 53 | | 73-21-11 | TB0248Y | C007 | BJ | L2 | 3 | | VM999-VM999, VN193-VN210, VN811-VN820 |
| 512 | 24 | PK | D08068J | 53 | | 21-24-11 | TB0182X | C018 | BJ | L2 | 3 | | VN055-VN080 |
| 512Z | | | D08030J | 52 | | 73-21-11 | TB0248Y | C008 | BJ | L2 | | | VK090-VK130, VK141-VK160, VM999-VM999, VN193-VN210, VN811-VN820, VR401-VR401, VR426-VR426 |
| 513 | 22 | PA | D08068J | 54 | | 21-24-11 | TB0182X | B018 | BJ | L2 | 3 | | VN055-VN080 |
| 514 | 24 | PK | D08068J | 37 | | 21-24-11 | TB0248Y | A013 | BJ | L2 | 3 | | VN055-VN080 |
| 515 | 24 | PK | D08068J | 38 | | 21-24-11 | TB0248Y | A013 | BJ | L2 | 3 | | VN055-VN080 |
| 516 | 22 | PQ | D08030J | 7 | | 73-21-11 | TB0248Y | C007 | BJ | L2 | 3 | | VL701-VL750, VL941-VL945, VN055-VN080, VN731-VN790 |
| 516 | 22 | PQ | D08030J | 7 | | 73-21-11 | TB0248Y | C007 | BJ | L2 | 2 | | VN657-VN670, VS111-VS111 |
| 516Z | | | D08030J | 39 | | 73-21-11 | TB0248Y | C008 | BJ | L2 | | | VL701-VL750, VL941-VL945, VN055-VN080, VN657-VN670, VN731-VN790, VS111-VS111 |
| 517 | 24 | PK | TB0248X | A002 | BJ | 21-58-11 | D04978J | 13 | | L2 | 3 | | VK090-VK130, VK141-VK160, VL701-VL750, VL941-VL945, VM999-VM999, VN055-VN080, VN191-VN210, VN291-VN300, VN651-VN656, VN676-VN680, VN731-VN790, VN811-VN820, VR401-VR401, VR426-VR426 |
| 517 | 24 | PK | TB0248X | A002 | BJ | 21-58-11 | D04978J | 13 | | L2 | 2 | | VN657-VN670, VS111-VS111 |
| 518 | 24 | PK | D01884 | 30 | | 21-53-12 | TB0182X | B012 | BJ | L2 | 4 | | VK090-VK130, VK141-VK160, VL701-VL750, VL941-VL945, VM999-VM999, VN055-VN080, VN191-VN210, VN291-VN300, VN651-VN656, VN676-VN680, VN731-VN790, VN811-VN820, VR401-VR401, VR426-VR426 |

286T1078-302
Wire Bundle Assembly
Figure 108 (Sheet 43)

25-71-01



BOEING
COMPONENT
MAINTENANCE MANUAL

| WIRE | | FROM EQUIPMENT | | | TO EQUIPMENT | | | WIRE INFO | | | | | |
|--------|----|----------------|---------|------|--------------|----------|---------|-----------|----|---------|----|-------|--|
| NUMBER | GA | TYP | NUMBER | TERM | TT | WDM REF | NUMBER | TERM | TT | EMC/SEP | FT | NOTES | EFFECTIVITY |
| 518 | 24 | PK | D01884 | 30 | | 21-53-12 | TB0182X | B012 | BJ | L2 | 3 | | VN657-VN670, VS111-VS111 |
| 519 | 22 | PQ | D08030J | 53 | | 73-21-11 | TB0248Y | C007 | BJ | L2 | 3 | | VL701-VL750, VL941-VL945, VN055-VN080, VN731-VN790 |
| 519 | 22 | PQ | D08030J | 53 | | 73-21-11 | TB0248Y | C007 | BJ | L2 | 2 | | VN657-VN670, VS111-VS111 |
| 519Z | | | D08030J | 52 | | 73-21-11 | TB0248Y | C008 | BJ | L2 | | | VL701-VL750, VL941-VL945, VN055-VN080, VN657-VN670, VN731-VN790, VS111-VS111 |
| 520 | 24 | PK | TB0248D | C017 | 2 | 27-58-21 | TB0248D | C018 | 2 | L2 | 2 | | VK090-VK130, VK141-VK160, VL701-VL750, VL941-VL945, VM999-VM999, VN055-VN080, VN191-VN210, VN291-VN300, VN651-VN656, VN676-VN680, VN731-VN790, VN811-VN820, VR401-VR401, VR426-VR426 |
| 520 | 24 | PK | TB0248D | C017 | 2 | 27-58-21 | TB0248D | C018 | 2 | L2 | | | VN657-VN670, VS111-VS111 |
| 521 | 24 | PK | TB0248D | A017 | 2 | 34-46-12 | D05277J | 28 | | L2 | 3 | | VK090-VK130, VK141-VK160, VL701-VL750, VL941-VL945, VM999-VM999, VN055-VN080, VN191-VN210, VN291-VN300, VN651-VN656, VN676-VN680, VN731-VN790, VN811-VN820, VR401-VR401, VR426-VR426 |
| 521 | 24 | PK | TB0248D | A017 | 2 | 34-46-12 | D05277J | 28 | | L2 | 2 | | VN657-VN670, VS111-VS111 |
| 522 | 24 | PV | D08030J | 50 | | 73-21-11 | TB0182Y | A006 | BJ | L2 | 3 | | VK090-VK130, VK141-VK160, VL701-VL750, VL941-VL945, VM999-VM999, VN055-VN080, VN191-VN210, VN731-VN790, VN811-VN820, VR401-VR401, VR426-VR426 |
| 522 | 24 | PV | D08030J | 50 | | 73-21-11 | TB0182Y | A006 | BJ | L2 | 3 | | VN191-VN191 |
| 522 | 24 | PV | D08030J | 50 | | 73-21-11 | D08030J | 2 | | L2 | 2 | | VN192-VN192, VN651-VN656 |
| 522 | 24 | PK | D08030J | 50 | | 73-21-11 | D08030J | 27 | | L2 | 2 | | VN291-VN300, VN676-VN680 |
| 522 | 24 | PV | D08030J | 50 | | 73-21-11 | TB0182Y | A006 | BJ | L2 | 2 | | VN657-VN670, VS111-VS111 |
| 522Z | | | D08030J | 48 | | 73-21-11 | TB0182Y | C006 | BJ | L2 | | | VK090-VK130, VK141-VK160, VL701-VL750, VL941-VL945, VM999-VM999, VN055-VN080, VN191-VN210, VN657-VN670, VN731-VN790, VN811-VN820, VR401-VR401, VR426-VR426, VS111-VS111 |

286T1078-302
Wire Bundle Assembly
Figure 108 (Sheet 44)

25-71-01

| WIRE | | | FROM EQUIPMENT | | | | TO EQUIPMENT | | | | WIRE INFO | | | |
|--------|----|-----|----------------|---------|----------|---------|--------------|--------|---------|---------|-----------|-------|--|--|
| NUMBER | GA | TYP | NUMBER | TERM TT | WDM REF | NUMBER | TERM TT | NUMBER | TERM TT | EMC/SEP | FT | NOTES | EFFECTIVITY | |
| 522Z | | | D08030J | 48 | 73-21-11 | TB0182X | C006 | BJ | | L2 | | | VN191-VN191 | |
| 522Z | | | D08030J | 48 | 73-21-11 | D08030J | 4 | | | L2 | | | VN192-VN192, VN651-VN656 | |
| 523 | 24 | FV | D08030J | 51 | 73-21-11 | TB0248X | B006 | BJ | | L2 | 3 | | VK090-VK130, VK141-VK160, VL701-VL750, VL941-VL945, VM999-VM999, VN055-VN080, VN191-VN210, VN651-VN656, VN731-VN790, VN811-VN820, VR401-VR426-VR426 | |
| 523 | 24 | PK | D08030J | 51 | 73-21-11 | TB0248X | C003 | BJ | | L2 | 3 | | VN291-VN300, VN676-VN680 | |
| 523 | 24 | FV | D08030J | 51 | 73-21-11 | TB0248X | B006 | BJ | | L2 | 2 | | VN657-VN670, VS111-VS111 | |
| 523Z | | | D08030J | 31 | 73-21-11 | TB0248X | C006 | BJ | | L2 | | | VK090-VK130, VK141-VK160, VL701-VL750, VL941-VL945, VM999-VM999, VN055-VN080, VN191-VN210, VN651-VN670, VN731-VN790, VN811-VN820, VR401-VR426-VR426, VS111-VS111 | |
| 524 | 24 | PK | D04978J | 8 | 21-58-12 | TB0182X | A028 | BJ | | L2 | 2 | | VK090-VK130, VK141-VK160, VL701-VL750, VL941-VL945, VM999-VM999, VN055-VN080, VN191-VN210, VN291-VN300, VN651-VN656, VN676-VN680, VN731-VN790, VN811-VN820, VR401-VR401, VR426-VR426 | |
| 524 | 24 | PK | D04978J | 8 | 21-58-12 | TB0182X | A028 | BJ | | L2 | 2 | | VN657-VN670, VS111-VS111 | |
| 525 | 24 | PK | D04978J | 14 | 21-58-12 | TB0182X | B028 | BJ | | L2 | 2 | | VK090-VK130, VK141-VK160, VL701-VL750, VL941-VL945, VM999-VM999, VN055-VN080, VN191-VN210, VN291-VN300, VN651-VN656, VN676-VN680, VN731-VN790, VN811-VN820, VR401-VR401, VR426-VR426 | |
| 525 | 24 | PK | D04978J | 14 | 21-58-12 | TB0182X | B028 | BJ | | L2 | 2 | | VN657-VN670, VS111-VS111 | |
| 526 | 24 | PK | D04978J | 37 | 21-58-12 | TB0182X | C028 | BJ | | L2 | 2 | | VK090-VK130, VK141-VK160, VL701-VL750, VL941-VL945, VM999-VM999, VN055-VN080, VN191-VN210, VN291-VN300, VN651-VN656, VN676-VN680, VN731-VN790, VN811-VN820, VR401-VR401, VR426-VR426 | |
| 526 | 24 | PK | D04978J | 37 | 21-58-12 | TB0182X | C028 | BJ | | L2 | 2 | | VN657-VN670, VS111-VS111 | |

 286T1078-302
 Wire Bundle Assembly
 Figure 108 (Sheet 45)

25-71-01



BOEING
COMPONENT
MAINTENANCE MANUAL

| WIRE | | | FROM EQUIPMENT | | | TO EQUIPMENT | | | WIRE INFO | | | | |
|--------|----|-----|----------------|------|----|--------------|---------|------|-----------|---------|----|-------|--|
| NUMBER | GA | TYP | NUMBER | TERM | TT | WDM REF | NUMBER | TERM | TT | EMC/SEP | FT | NOTES | EFFECTIVITY |
| 527 | 24 | PK | D03742 | 12 | | 21-58-14 | TB0158G | 27 | 2 | L2 | 3 | | VK090-VK130, VK141-VK160, VL701-VL750, VL941-VL945, VM999-VM999, VN055-VN080, VN191-VN210, VN291-VN300, VN651-VN656, VN676-VN680, VN731-VN790, VN811-VN820, VR401-VR401, VR426-VR426 |
| 527 | 24 | PK | D03742 | 12 | | 21-58-14 | TB0158G | 27 | 2 | L2 | 3 | | VN657-VN670, VS111-VS111 |
| 528R | 22 | PH | D04978J | 44 | | 26-18-12 | D01886 | 6 | | L2 | 3 | | VK090-VK130, VK141-VK160, VL701-VL750, VL941-VL945, VM999-VM999, VN055-VN080, VN191-VN210, VN291-VN300, VN651-VN656, VN676-VN680, VN731-VN790, VN811-VN820, VR401-VR401, VR426-VR426 |
| 528R | 22 | PH | D04978J | 44 | | 26-18-12 | D01886 | 6 | | L2 | 2 | | VN657-VN670, VS111-VS111 |
| 529R | 22 | PU | D08112J | 21 | | 26-18-22 | SP03260 | | S | L2 | 3 | | VK090-VK130, VK141-VK160, VL701-VL750, VL941-VL945, VM999-VM999, VN055-VN080, VN191-VN210, VN291-VN300, VN651-VN656, VN676-VN680, VN731-VN790, VN811-VN820, VR401-VR401, VR426-VR426 |
| 529R | 22 | PU | D08112J | 21 | | 26-18-22 | SP03260 | | S | L2 | 2 | | VN657-VN670, VS111-VS111 |
| 530 | 24 | PV | D08030J | 13 | | 73-21-15 | TB0248Y | C007 | BJ | L2 | 4 | | VN191-VN192, VN651-VN656 |
| 530Z | 24 | PK | TB0182Y | A003 | BJ | 73-21-15 | D08030J | 13 | | L2 | 3 | | VN291-VN300, VN676-VN680 |
| 530Z | 24 | PK | D08030J | 10 | | 73-21-15 | TB0248Y | C008 | BJ | L2 | 2 | | VN191-VN192, VN651-VN656 |
| 532 | 24 | PK | D04978J | 48 | | 21-58-12 | TB0182X | D028 | BJ | L2 | 2 | | VK090-VK130, VK141-VK160, VL701-VL750, VL941-VL945, VM999-VM999, VN055-VN080, VN191-VN210, VN291-VN300, VN651-VN656, VN676-VN680, VN731-VN790, VN811-VN820, VR401-VR401, VR426-VR426 |
| 532 | 24 | PK | D04978J | 48 | | 21-58-12 | TB0182X | D028 | BJ | L2 | 2 | | VN657-VN670, VS111-VS111 |

286T1078-302
Wire Bundle Assembly
Figure 108 (Sheet 46)

25-71-01

| WIRE | | | FROM EQUIPMENT | | | | TO EQUIPMENT | | | | WIRE INFO | | | |
|--------|----|-----|----------------|------|----|----------|--------------|------|----|---------|-----------|----------------------------|---|--|
| NUMBER | GA | TYP | NUMBER | TERM | TT | WDM REF | NUMBER | TERM | TT | EMC/SEP | FT | NOTES | EFFECTIVITY | |
| 534 | 24 | PV | D08030J | 2 | | 73-21-11 | TB0182Y | A006 | BJ | L2 | 3 | | VK090-VK130, VK141-VK160, VL701-VL750, VL941-VL945, VM999-VM999, VN055-VN080, VN193-VN210, VN731-VN790, VN811-VN820, VR401-VR401, VR426-VR426, | |
| 534 | 24 | PV | D08030J | 2 | | 73-21-11 | TB0182Y | A006 | BJ | L2 | 3 | | VN191-VN191 | |
| 534 | 24 | PV | D08030J | 2 | | 73-21-11 | TB0182Y | A006 | BJ | L2 | 2 | | VN657-VN670, VS111-VS111 | |
| 534Z | | | D08030J | 4 | | 73-21-11 | TB0182Y | C006 | BJ | L2 | | | VK090-VK130, VK141-VK160, VL701-VL750, VL941-VL945, VM999-VM999, VN055-VN080, VN193-VN210, VN657-VN670, VN731-VN790, VN811-VN820, VR401-VR401, VR426-VR426, VS111-VS111 | |
| 534Z | | | D08030J | 4 | | 73-21-11 | TB0182Y | C006 | BJ | L2 | | | VN191-VN191 | |
| 536 | 20 | UA | D02160 | | | 73-21-15 | GDX0001 | S.. | 2 | L2 | 3 | | VN191-VN192, VN651-VN656 | |
| 539 | 20 | UA | D02160 | | | 73-21-15 | GDX0001 | S.. | 2 | L2 | 4 | | VN191-VN192, VN651-VN656 | |
| 540 | 20 | UA | D02160 | | | 73-21-16 | GDX0001 | S.. | 2 | L2 | 4 | | VN191-VN192, VN651-VN656 | |
| 542 | 20 | UA | D02160 | | | 73-21-16 | GDX0001 | S.. | 2 | L2 | 4 | | VN191-VN192, VN651-VN656 | |
| 543 | 20 | UA | D02160 | | | 73-21-15 | GDX0001 | S.. | 2 | L2 | 4 | | VN191-VN192, VN651-VN656 | |
| 552 | 20 | PQ | D08030J | 55 | | 73-21-14 | TB0248Y | A007 | BJ | L2 | 3 | | VK090-VK130, VK141-VK160, VL701-VL750, VL941-VL945, VN055-VN080, VN731-VN790, VR401-VR401, VR426-VR426 | |
| 552 | 20 | PQ | D08030J | 55 | | 73-21-14 | TB0248Y | A007 | BJ | L2 | 3 | | VM999-VM999, VN193-VN210, VN811-VN820 | |
| 552 | 20 | PQ | D08030J | 55 | | 73-21-14 | TB0248Y | A007 | BJ | L2 | 2 | | VN657-VN670, VS111-VS111 | |
| 552Z | | | D08030J | 54 | | 73-21-14 | TB0248Y | A008 | BJ | L2 | | | VK090-VK130, VK141-VK160, VL701-VL750, VL941-VL945, VM999-VM999, VN055-VN080, VN193-VN210, VN657-VN670, VN731-VN790, VN811-VN820, VR401-VR401, VR426-VR426, VS111-VS111 | |
| 558 | 22 | PA | D05209J | 24 | | 34-45-13 | TB0182D | A024 | 2 | L2 | 3 | MLA-F2 MNU-T2 ZSZ-B6 | VN055-VN058 | |
| 558 | 22 | PA | D05209J | 24 | | 34-45-13 | TB0158D | A014 | 2 | L2 | 3 | | VN059-VN060 | |

 286T1078-302
 Wire Bundle Assembly
 Figure 108 (Sheet 47)

25-71-01



BOEING
COMPONENT
MAINTENANCE MANUAL

| WIRE | | | FROM EQUIPMENT | | | TO EQUIPMENT | | | WIRE INFO | | | | |
|--------|----|-----|----------------|------|----|--------------|---------|------|-----------|----------|----|-------|--|
| NUMBER | GA | TYP | NUMBER | TERM | TT | WDM REF | NUMBER | TERM | TT | EMC/ SEP | FT | NOTES | EFFECTIVITY |
| 600 | 22 | PA | D02672 | 44 | | 27-41-11 | D05277J | 15 | | L2 | 3 | | VK090-VK130, VK141-VK160, VL701-VL750, VL941-VL945, VM999-VM999, VN055-VN080, VN191-VN210, VN291-VN300, VN651-VN656, VN676-VN680, VN731-VN790, VN811-VN820, VR401-VR401, VR426-VR426 |
| 600 | 22 | PA | D02672 | 44 | | 27-41-11 | D05277J | 15 | | L2 | 2 | | VN657-VN670, VS111-VS111 |
| 700 | 24 | PK | D02672 | 14 | | 31-31-21 | D05209J | 18 | | L2 | 4 | | VK141-VK142, VN731-VN790 |
| 701 | 24 | PK | D08112J | 6 | | 36-22-11 | TB0248Y | C009 | BJ | L2 | 3 | | VK090-VK130, VK141-VK160, VL701-VL750, VL941-VL945, VM999-VM999, VN055-VN080, VN191-VN210, VN291-VN300, VN651-VN656, VN676-VN680, VN731-VN790, VN811-VN820, VR401-VR401, VR426-VR426 |
| 701 | 24 | PK | D08112J | 6 | | 36-22-11 | TB0248Y | C009 | BJ | L2 | 2 | | VN657-VN670, VS111-VS111 |
| 702 | 22 | PA | D08030J | 41 | | 36-22-11 | TB0248Y | A010 | BJ | L2 | 3 | | VK090-VK130, VK141-VK160, VL701-VL750, VL941-VL945, VM999-VM999, VN055-VN080, VN191-VN210, VN291-VN300, VN651-VN656, VN676-VN680, VN731-VN790, VN811-VN820, VR401-VR401, VR426-VR426 |
| 702 | 22 | PA | D08030J | 41 | | 36-22-11 | TB0248Y | A010 | BJ | L2 | 2 | | VN657-VN670, VS111-VS111 |
| 703 | 24 | PK | D08112J | 9 | | 36-22-11 | TB0248Y | A010 | BJ | L2 | 3 | | VK090-VK130, VK141-VK160, VL701-VL750, VL941-VL945, VM999-VM999, VN055-VN080, VN191-VN210, VN291-VN300, VN651-VN656, VN676-VN680, VN731-VN790, VN811-VN820, VR401-VR401, VR426-VR426 |
| 703 | 24 | PK | D08112J | 9 | | 36-22-11 | TB0248Y | A010 | BJ | L2 | 2 | | VN657-VN670, VS111-VS111 |
| 706 | 24 | PK | D02160 | 23 | | 73-21-16 | TB0182X | A015 | BJ | L2 | 4 | | VK090-VK130, VK141-VK160, VL701-VL750, VL941-VL945, VM999-VM999, VN055-VN080, VN191-VN210, VN291-VN300, VN651-VN656, VN676-VN680, VN731-VN790, VN811-VN820, VR401-VR401, VR426-VR426 |

286T1078-302
Wire Bundle Assembly
Figure 108 (Sheet 48)

25-71-01

TESTING & FAULT ISOLATION
01 Page 128G
Nov 01/02

| WIRES | | FROM EQUIPMENT | | | TO EQUIPMENT | | | WIRE INFO | | | | | |
|--------|----|----------------|---------|------|--------------|----------|---------|-----------|----|-------------|----|-------|--|
| NUMBER | GA | TYP | NUMBER | TERM | TT | WDM REF | NUMBER | TERM | TT | EMC/ SEP | FT | NOTES | EFFECTIVITY |
| 706 | 24 | PK | D02160 | 23 | | 73-21-16 | TB0182X | A015 | BJ | L2 | 3 | | VN657-VN670, VS111-VS111 |
| 707 | 22 | PA | TB0182Y | C004 | BJ | 21-51-11 | D04978J | 34 | | L2 | 3 | | VK090-VK130, VK141-VK160, VL701-VL750, VL941-VL945, VM999-VM999, VN055-VN080, VN191-VN210, VN291-VN300, VN651-VN656, VN676-VN680, VN751-VN790, VN811-VN820, VR401-VR401, VR426-VR426 |
| 707 | 22 | PA | TB0182Y | C004 | BJ | 21-51-11 | D04978J | 34 | | L2 | 2 | | VN657-VN670, VS111-VS111 |
| 707 | 22 | PA | TB0158Y | A006 | BJ | 21-51-11 | D04978J | 34 | | L2 | 3 | | VN731-VN750 |
| 708 | 24 | PK | D08112J | 19 | | 21-51-21 | TB0158G | 16 | 2 | L2 | 3 | | VK090-VK130, VK141-VK160, VL701-VL750, VL941-VL945, VM999-VM999, VN055-VN080, VN191-VN210, VN291-VN300, VN651-VN656, VN676-VN680, VN731-VN790, VN811-VN820, VR401-VR401, VR426-VR426 |
| 708 | 24 | PK | D08112J | 19 | | 21-51-21 | TB0158G | 16 | 2 | L2 | 2 | | VN657-VN670, VS111-VS111 |
| 709 | 24 | PK | D08112J | 20 | | 21-51-21 | TB0182Y | C001 | BJ | L2 | 3 | | VK090-VK130, VK141-VK160, VL701-VL750, VL941-VL945, VM999-VM999, VN055-VN080, VN191-VN210, VN291-VN300, VN651-VN656, VN676-VN680, VN731-VN790, VN811-VN820, VR401-VR401, VR426-VR426 |
| 709 | 24 | PK | D08112J | 20 | | 21-51-21 | TB0182Y | C001 | BJ | L2 | 2 | | VN657-VN670, VS111-VS111 |
| 711 | 24 | PK | D02160 | 17 | | 34-61-13 | TB0158G | 1 | 2 | L2 | 4 | | VK090-VK095, VN055-VN058, VN191-VN192 |
| 711 | 24 | PK | D02160 | 17 | | 34-61-13 | TB0158Y | A003 | BJ | L2 | 5 | | VK096-VK130, VK141-VK160, VL701-VL750, VL941-VL945, VM999-VM999, VN059-VN080, VN193-VN210, VN291-VN300, VN651-VN656, VN676-VN680, VN731-VN790, VN811-VN820, VR401-VR401, VR426-VR426 |
| 711 | 24 | PK | D02160 | 17 | | 34-61-13 | TB0158Y | A003 | BJ | L2 | 5 | | VN657-VN670, VS111-VS111 |
| 711 | 24 | PK | D02160 | 17 | | 34-61-13 | TB0158Y | A003 | BJ | L2 | 3 | | VN657-VN670, VS111-VS111 |

286T1078-302
Wire Bundle Assembly
Figure 108 (Sheet 49)

25-71-01



BOEING
COMPONENT
MAINTENANCE MANUAL

| WIRE | | | FROM EQUIPMENT | | | TO EQUIPMENT | | | WIRE INFO | | | | |
|--------|----|-----|----------------|------|----|--------------|---------|------|-----------|---------|----|-------|--|
| NUMBER | GA | TYP | NUMBER | TERM | TT | WDM REF | NUMBER | TERM | TT | EMC/SEP | FT | NOTES | EFFECTIVITY |
| 712 | 24 | PK | D08112J | 16 | | 21-51-11 | TB0182Y | C004 | BJ | L2 | 3 | | VK090-VK130, VK141-VK160, VL701-VL750, VL941-VL945, VM999-VM999, VM055-VM080, VN191-VN210, VN291-VN300, VM651-VM656, VM676-VM680, VM751-VM790, VM811-VM820, VR401-VR401, VR426-VR426 |
| 712 | 24 | PK | D08112J | 16 | | 21-51-11 | TB0182Y | C004 | BJ | L2 | 2 | | VN657-VN670, VS111-VS111 |
| 712 | 24 | PK | D08112J | 16 | | 21-51-11 | TB0158Y | A006 | BJ | L2 | 3 | | VN731-VN750 |
| 713 | 24 | PK | D08112J | 17 | | 21-51-11 | TB0158G | 13 | 2 | L2 | 3 | | VK090-VK095, VM055-VM058, VN191-VN192 |
| 713 | 24 | PK | D08112J | 17 | | 21-51-11 | TB0158Y | A001 | BJ | L2 | 3 | | VK096-VK130, VK141-VK160, VL701-VL750, VL941-VL945, VM999-VM999, VM059-VM080, VN193-VN210, VN291-VN300, VM651-VM656, VM676-VM680, VM731-VN790, VM811-VM820, VR401-VR401, VR426-VR426 |
| 713 | 24 | PK | D08112J | 17 | | 21-51-11 | TB0158Y | A001 | BJ | L2 | 2 | | VN657-VN670, VS111-VS111 |
| 714 | 24 | PK | D02160 | 52 | | 34-61-13 | TB0158G | 18 | 2 | L2 | 4 | | VK090-VK130, VK141-VK160, VL701-VL750, VL941-VL945, VM999-VM999, VM055-VM080, VN191-VN210, VN291-VN300, VM651-VM656, VM676-VM680, VM731-VN790, VM811-VM820, VR401-VR401, VR426-VR426 |
| 714 | 24 | PK | D02160 | 52 | | 34-61-13 | TB0158G | 18 | 2 | L2 | 3 | | VN657-VN670, VS111-VS111 |
| 715 | 24 | PK | D02160 | 14 | | 34-61-13 | TB0158G | 21 | 2 | L2 | 4 | | VK090-VK130, VK141-VK160, VL701-VL750, VL941-VL945, VM999-VM999, VM055-VM080, VN191-VN210, VN291-VN300, VM651-VM656, VM676-VM680, VM731-VN790, VM811-VM820, VR401-VR401, VR426-VR426 |
| 715 | 24 | PK | D02160 | 14 | | 34-61-13 | TB0158G | 21 | 2 | L2 | 3 | | VN657-VN670, VS111-VS111 |

286T1078-302
Wire Bundle Assembly
Figure 108 (Sheet 50)

25-71-01

| WIRE | | | FROM EQUIPMENT | | | | TO EQUIPMENT | | | | WIRE INFO | | | |
|--------|----|-----|----------------|------|----|----------|--------------|------|----|-----------|-----------|-------|--|--|
| NUMBER | GA | TYP | NUMBER | TERM | TT | WDM REF | NUMBER | TERM | TT | EMC / SEP | FT | NOTES | EFFECTIVITY | |
| 716 | 24 | PK | D02160 | 16 | | 34-61-13 | TB0158G | 22 | 2 | L2 | 4 | | VK090-VK130, VK141-VK160, VL701-VL750, VL941-VL945, VM999-VM999, VN055-VN080, VN191-VN210, VN291-VN300, VN651-VN656, VN676-VN680, VN731-VN790, VN811-VN820, VR401-VR401, VR426-VR426 | |
| 716 | 24 | PK | D02160 | 16 | | 34-61-13 | TB0158G | 22 | 2 | L2 | 3 | | VN657-VN670, VS111-VS111 | |
| 717 | 24 | PK | D02160 | 27 | | 34-61-13 | TB0158G | 23 | 2 | L2 | 4 | | VK090-VK130, VK141-VK160, VL701-VL750, VL941-VL945, VM999-VM999, VN055-VN080, VN191-VN210, VN291-VN300, VN651-VN656, VN676-VN680, VN731-VN790, VN811-VN820, VR401-VR401, VR426-VR426 | |
| 717 | 24 | PK | D02160 | 27 | | 34-61-13 | TB0158G | 23 | 2 | L2 | 3 | | VN657-VN670, VS111-VS111 | |
| 718 | 24 | PK | D03742 | 25 | | 21-25-11 | D04978J | 12 | | L2 | 3 | | VK090-VK130, VK141-VK160, VL701-VL750, VL941-VL945, VM999-VM999, VN055-VN080, VN191-VN210, VN291-VN300, VN651-VN656, VN676-VN680, VN731-VN790, VN811-VN820, VR401-VR401, VR426-VR426 | |
| 718 | 24 | PK | D03742 | 25 | | 21-25-11 | D04978J | 12 | | L2 | 2 | | VN657-VN670, VS111-VS111 | |
| 720 | 24 | PK | D08112J | 32 | | 21-58-11 | TB0182Y | A001 | BJ | L2 | 3 | | VK090-VK130, VK141-VK160, VL701-VL750, VL941-VL945, VM999-VM999, VN055-VN080, VN191-VN210, VN291-VN300, VN651-VN656, VN676-VN680, VN731-VN790, VN811-VN820, VR401-VR401, VR426-VR426 | |
| 720 | 24 | PK | D08112J | 32 | | 21-58-11 | TB0182Y | A001 | BJ | L2 | 2 | | VN657-VN670, VS111-VS111 | |
| 721 | 24 | PK | D02672 | 16 | | 31-31-21 | D05209J | 19 | | L2 | 4 | | VK141-VK142, VN731-VN790 | |
| 722 | 24 | PK | D08112J | 1 | | 21-58-14 | D03742 | 37 | | L2 | 3 | | VK090-VK130, VK141-VK160, VL701-VL750, VL941-VL945, VM999-VM999, VN055-VN080, VN191-VN210, VN291-VN300, VN651-VN656, VN676-VN680, VN731-VN790, VN811-VN820, VR401-VR401, VR426-VR426 | |

 286T1078-302
 Wire Bundle Assembly
 Figure 108 (Sheet 51)

25-71-01



BOEING
COMPONENT
MAINTENANCE MANUAL

| WIRE | | | FROM EQUIPMENT | | | | TO EQUIPMENT | | | | WIRE INFO | | | |
|--------|----|-----|----------------|------|----|----------|--------------|------|----|---------|-----------|-------|--|--|
| NUMBER | GA | TYP | NUMBER | TERM | TT | WDM REF | NUMBER | TERM | TT | EMC/SEP | FT | NOTES | EFFECTIVITY | |
| 722 | 24 | PK | D08112J | 1 | | 21-58-14 | D03742 | 37 | | L2 | 2 | | VN657-VN670, VS111-VS111 | |
| 724 | 24 | PK | D08112J | 3 | | 21-58-15 | TB0248X | A012 | BJ | L2 | 3 | | VK090-VK130, VK141-VK160, VL701-VL750, VL941-VL945, VM999-VM999, VN055-VN080, VN191-VN210, VN291-VN300, VN651-VN656, VN676-VN680, VN731-VN790, VN811-VN820, VR401-VR401, VR426-VR426 | |
| 724 | 24 | PK | D08112J | 3 | | 21-58-15 | TB0248X | A012 | BJ | L2 | 2 | | VN657-VN670, VS111-VS111 | |
| 725 | 24 | PK | D03742 | 2 | | 21-25-11 | TB0248D | A019 | 2 | L2 | 3 | | VK090-VK130, VK141-VK160, VL701-VL750, VL941-VL945, VM999-VM999, VN055-VN080, VN191-VN210, VN291-VN300, VN651-VN656, VN676-VN680, VN731-VN790, VN811-VN820, VR401-VR401, VR426-VR426 | |
| 725 | 24 | PK | D03742 | 2 | | 21-25-11 | TB0248D | A019 | 2 | L2 | 3 | | VN657-VN670, VS111-VS111 | |
| 726 | 24 | PK | TB0248Y | C010 | BJ | 21-25-11 | TB0248D | C019 | 2 | L2 | 2 | | VK090-VK130, VK141-VK160, VL701-VL750, VL941-VL945, VM999-VM999, VN055-VN080, VN191-VN210, VN291-VN300, VN651-VN656, VN676-VN680, VN731-VN790, VN811-VN820, VR401-VR401, VR426-VR426 | |
| 726 | 24 | PK | TB0248Y | C010 | BJ | 21-25-11 | TB0248D | C019 | 2 | L2 | 3 | | VN657-VN670, VS111-VS111 | |
| 727 | 24 | PK | TB0248Y | C010 | BJ | 21-25-11 | D04978J | 7 | | L2 | 3 | | VK090-VK130, VK141-VK160, VL701-VL750, VL941-VL945, VM999-VM999, VN055-VN080, VN191-VN210, VN291-VN300, VN651-VN656, VN676-VN680, VN731-VN790, VN811-VN820, VR401-VR401, VR426-VR426 | |
| 727 | 24 | PK | TB0248Y | C010 | BJ | 21-25-11 | D04978J | 7 | | L2 | 2 | | VN657-VN670, VS111-VS111 | |
| 728 | 24 | PK | TB0248X | C011 | BJ | 21-26-11 | D08112J | 12 | | L2 | 3 | | VK090-VK130, VK141-VK160, VL701-VL750, VL941-VL945, VM999-VM999, VN055-VN080, VN191-VN210, VN291-VN300, VN651-VN656, VN676-VN680, VN731-VN790, VN811-VN820, VR401-VR401, VR426-VR426 | |

286T1078-302
Wire Bundle Assembly
Figure 108 (Sheet 52)

25-71-01

| WIRE | | | FROM EQUIPMENT | | | | TO EQUIPMENT | | | | WIRE INFO | | | |
|--------|----|-----|----------------|---------|---------|----------|--------------|--------|---------|---------|-----------|-------|--|--|
| NUMBER | GA | TYP | NUMBER | TERM TT | WDM REF | NUMBER | TERM TT | NUMBER | TERM TT | EMC/SEP | FT | NOTES | EFFECTIVITY | |
| 728 | 24 | PK | TB0248X | C011 | BJ | 21-26-11 | D08112J | L2 | BJ | L2 | 2 | | VN657-VN670, VS111-VS111 | |
| 730 | 24 | PK | D02160 | 51 | | 73-21-15 | TB0182X | D014 | BJ | L2 | 4 | | VK090-VK130, VK141-VK160, VL701-VL750, VL941-VL945, VM999-VM999, VN055-VN080, VN191-VN210, VN291-VN300, VN651-VN656, VN731-VN790, VN811-VN820, VR401-VR401, VR426-VR426 | |
| 730 | 24 | PK | D02160 | 51 | | 73-21-15 | TB0182X | D014 | BJ | L2 | 3 | | VN657-VN670, VS111-VS111 | |
| 730 | 24 | PK | D02160 | 51 | | 73-21-15 | TB0182Y | C014 | BJ | L2 | 4 | | VN676-VN680 | |
| 731 | 24 | PK | D02160 | 39 | | 73-21-15 | D08030J | 1 | | L2 | 4 | | VK090-VK130, VK141-VK160, VL701-VL750, VL941-VL945, VM999-VM999, VN055-VN080, VN191-VN210, VN291-VN300, VN651-VN656, VN676-VN680, VN731-VN790, VN811-VN820, VR401-VR401, VR426-VR426 | |
| 731 | 24 | PK | D02160 | 39 | | 73-21-15 | D08030J | 1 | | L2 | 2 | | VN657-VN670, VS111-VS111 | |
| 732 | 22 | PA | D02160 | 63 | | 73-21-19 | TB0248Y | C014 | BJ | L2 | 4 | | VK090-VK130, VK141-VK160, VL701-VL750, VL941-VL945, VM999-VM999, VN055-VN080, VN191-VN210, VN291-VN300, VN651-VN656, VN676-VN680, VN731-VN790, VN811-VN820, VR401-VR401, VR426-VR426 | |
| 732 | 22 | PA | D02160 | 63 | | 73-21-19 | TB0248Y | C014 | BJ | L2 | 3 | | VN657-VN670, VS111-VS111 | |
| 733 | 22 | PA | D02160 | 64 | | 73-21-19 | TB0182X | B016 | BJ | L2 | 4 | | VK090-VK130, VK141-VK160, VL701-VL750, VL941-VL945, VM999-VM999, VN055-VN080, VN191-VN210, VN291-VN300, VN651-VN656, VN676-VN680, VN731-VN790, VN811-VN820, VR401-VR401, VR426-VR426 | |
| 733 | 22 | PA | D02160 | 64 | | 73-21-19 | TB0182X | B016 | BJ | L2 | 3 | | VN657-VN670, VS111-VS111 | |
| 737 | 24 | PK | D01886 | 54 | | 36-11-51 | SM00002 | | W | L2 | 3 | | VK090-VK130, VK141-VK160, VL701-VL750, VL941-VL945, VM999-VM999, VN055-VN080, VN191-VN210, VN291-VN300, VN651-VN656, VN676-VN680, VN731-VN790, VN811-VN820, VR401-VR401, VR426-VR426 | |

 286T1078-302
 Wire Bundle Assembly
 Figure 108 (Sheet 53)

25-71-01



BOEING
COMPONENT
MAINTENANCE MANUAL

| WIRE | | | FROM EQUIPMENT | | | TO EQUIPMENT | | | WIRE INFO | | | | |
|--------|----|-----|----------------|------|----|--------------|---------|------|-----------|---------|----|-------|--|
| NUMBER | GA | TYP | NUMBER | TERM | TT | WDM REF | NUMBER | TERM | TT | EMC/SEP | FT | NOTES | EFFECTIVITY |
| 737 | 24 | PK | D01886 | 54 | | 36-11-51 | SM00002 | W | | L2 | 2 | | VN657-VN670, VS111-VS111 |
| 738 | 22 | PA | D01886 | 11 | | 36-11-51 | D08068J | 28 | | L2 | 3 | | VK090-VK130, VK141-VK160, VL701-VL750, VL941-VL945, VM999-VM999, VN055-VN080, VN191-VN210, VN291-VN300, VN651-VN656, VN676-VN680, VN731-VN790, VN811-VN820, VR401-VR401, VR426-VR426 |
| 738 | 22 | PA | D01886 | 11 | | 36-11-51 | D08068J | 28 | | L2 | 2 | | VN657-VN670, VS111-VS111 |
| 739 | 22 | PA | D01886 | 59 | | 36-11-51 | SM00001 | W | | L2 | 3 | | VK090-VK130, VK141-VK160, VL701-VL750, VL941-VL945, VM999-VM999, VN055-VN080, VN191-VN210, VN291-VN300, VN651-VN656, VN676-VN680, VN731-VN790, VN811-VN820, VR401-VR401, VR426-VR426 |
| 739 | 22 | PA | D01886 | 59 | | 36-11-51 | SM00001 | W | | L2 | 2 | | VN657-VN670, VS111-VS111 |
| 740 | 22 | PA | D08068J | 24 | | 36-11-51 | SM00001 | W | | L2 | 3 | | VK090-VK130, VK141-VK160, VL701-VL750, VL941-VL945, VM999-VM999, VN055-VN080, VN191-VN210, VN291-VN300, VN651-VN656, VN676-VN680, VN731-VN790, VN811-VN820, VR401-VR401, VR426-VR426 |
| 740 | 22 | PA | D08068J | 24 | | 36-11-51 | SM00001 | W | | L2 | 1 | | VN657-VN670, VS111-VS111 |
| 741 | 24 | PK | D08068J | 40 | | 36-11-51 | SM00002 | W | | L2 | 3 | | VK090-VK130, VK141-VK160, VL701-VL750, VL941-VL945, VM999-VM999, VN055-VN080, VN191-VN210, VN291-VN300, VN651-VN656, VN676-VN680, VN731-VN790, VN811-VN820, VR401-VR401, VR426-VR426 |
| 741 | 24 | PK | D08068J | 40 | | 36-11-51 | SM00002 | W | | L2 | 1 | | VN657-VN670, VS111-VS111 |
| 744 | 22 | PA | D01886 | 46 | | 36-11-51 | D08068J | 27 | | L2 | 3 | | VK090-VK130, VK141-VK160, VL701-VL750, VL941-VL945, VM999-VM999, VN055-VN080, VN191-VN210, VN291-VN300, VN651-VN656, VN676-VN680, VN731-VN790, VN811-VN820, VR401-VR401, VR426-VR426 |

286T1078-302
Wire Bundle Assembly
Figure 108 (Sheet 54)

25-71-01

| WIRE | | | FROM EQUIPMENT | | | TO EQUIPMENT | | | WIRE INFO | | | | |
|--------|----|-----|----------------|------|----|--------------|---------|------|-----------|---------|----|-------|--|
| NUMBER | GA | TYP | NUMBER | TERM | TT | WDM REF | NUMBER | TERM | TT | EMC/SEP | FT | NOTES | EFFECTIVITY |
| 744 | 22 | PA | D01886 | 46 | | 36-11-51 | D08068J | 27 | | L2 | 2 | | VN657-VN670, VS111-VS111 |
| 749 | 24 | PK | D04978J | 26 | | 21-58-11 | TB0248X | A001 | BJ | L2 | 4 | | VK090-VK130, VK141-VK160, VL701-VL750, VL941-VL945, VM999-VM999, VN055-VN080, VN191-VN210, VN291-VN300, VN651-VN656, VN676-VN680, VN731-VN790, VN811-VN820, VR401-VR401, VR426-VR426 |
| 749 | 24 | PK | D04978J | 26 | | 21-58-11 | TB0248X | A001 | BJ | L2 | 2 | | VN657-VN670, VS111-VS111 |
| 751 | 24 | PK | D08068J | 21 | | 36-11-61 | D01886 | 19 | | L2 | 3 | | VK090-VK130, VK141-VK160, VL701-VL750, VL941-VL945, VM999-VM999, VN055-VN080, VN191-VN210, VN291-VN300, VN651-VN656, VN676-VN680, VN731-VN790, VN811-VN820, VR401-VR401, VR426-VR426 |
| 751 | 24 | PK | D08068J | 21 | | 36-11-61 | D01886 | 19 | | L2 | 2 | | VN657-VN670, VS111-VS111 |
| 752 | 22 | PA | TB0248Y | A010 | BJ | 36-22-11 | D01886 | 3 | | L2 | 4 | | VK090-VK130, VK141-VK160, VL701-VL750, VL941-VL945, VM999-VM999, VN055-VN080, VN191-VN210, VN291-VN300, VN651-VN656, VN676-VN680, VN731-VN790, VN811-VN820, VR401-VR401, VR426-VR426 |
| 752 | 22 | PA | TB0248Y | A010 | BJ | 36-22-11 | D01886 | 3 | | L2 | 3 | | VN657-VN670, VS111-VS111 |
| 753 | 24 | PK | D02160 | 18 | | 22-32-13 | TB0182X | A017 | BJ | L2 | 4 | | VK090-VK130, VK141-VK160, VL701-VL750, VL941-VL945, VM999-VM999, VN055-VN080, VN191-VN210, VN291-VN300, VN651-VN656, VN676-VN680, VN731-VN790, VN811-VN820, VR401-VR401, VR426-VR426 |
| 753 | 24 | PK | D02160 | 18 | | 22-32-13 | TB0182X | A017 | BJ | L2 | 3 | | VN657-VN670, VS111-VS111 |
| 754 | 24 | PK | D02160 | 20 | | 22-32-13 | TB0182X | B017 | BJ | L2 | 4 | | VK090-VK130, VK141-VK160, VL701-VL750, VL941-VL945, VM999-VM999, VN055-VN080, VN191-VN210, VN291-VN300, VN651-VN656, VN676-VN680, VN731-VN790, VN811-VN820, VR401-VR401, VR426-VR426 |

 286T1078-302
 Wire Bundle Assembly
 Figure 108 (Sheet 55)

25-71-01



BOEING
COMPONENT
MAINTENANCE MANUAL

| WIRE | | | FROM EQUIPMENT | | | | TO EQUIPMENT | | | | WIRE INFO | | | |
|--------|----|-----|----------------|------|----|----------|--------------|------|----|---------|-----------|-------|--|--|
| NUMBER | GA | TYP | NUMBER | TERM | TT | WDM REF | NUMBER | TERM | TT | EMC/SEP | FT | NOTES | EFFECTIVITY | |
| 754 | 24 | PK | D02160 | 20 | | 22-32-13 | TB0182X B017 | BJ | | L2 | 3 | | VN657-VN670, VS111-VS111 | |
| 755 | 24 | PK | D02160 | 58 | | 22-32-13 | TB0182X C017 | BJ | | L2 | 4 | | VK090-VK130, VK141-VK160, VL701-VL750, VL941-VL945, VM999-VM999, VN055-VN080, VN191-VN210, VN291-VN300, VN651-VN656, VN676-VN680, VN731-VN790, VN811-VN820, VR401-VR401, VR426-VR426 | |
| 755 | 24 | PK | D02160 | 58 | | 22-32-13 | TB0182X C017 | BJ | | L2 | 3 | | VN657-VN670, VS111-VS111 | |
| 756 | 24 | PK | D02160 | 50 | | 22-32-13 | TB0182X D017 | BJ | | L2 | 4 | | VK090-VK130, VK141-VK160, VL701-VL750, VL941-VL945, VM999-VM999, VN055-VN080, VN191-VN210, VN291-VN300, VN651-VN656, VN676-VN680, VN731-VN790, VN811-VN820, VR401-VR401, VR426-VR426 | |
| 756 | 24 | PK | D02160 | 50 | | 22-32-13 | TB0182X D017 | BJ | | L2 | 3 | | VN657-VN670, VS111-VS111 | |
| 757 | 24 | PK | D02160 | 28 | | 22-32-13 | TB0182X D016 | BJ | | L2 | 4 | | VK090-VK130, VK141-VK160, VL701-VL750, VL941-VL945, VM999-VM999, VN055-VN080, VN191-VN210, VN291-VN300, VN651-VN656, VN676-VN680, VN731-VN790, VN811-VN820, VR401-VR401, VR426-VR426 | |
| 757 | 24 | PK | D02160 | 28 | | 22-32-13 | TB0182X D016 | BJ | | L2 | 3 | | VN657-VN670, VS111-VS111 | |
| 764 | 24 | PV | D08030J | 46 | | 73-21-11 | TB0248Y C007 | BJ | | L2 | 3 | | VN191-VN192, VN651-VN656 | |
| 764 | 24 | PK | D08030J | 46 | | 73-21-11 | TB0182Y A003 | BJ | | L2 | 3 | | VN291-VN300, VN676-VN680 | |
| 764Z | 24 | PK | D08030J | 45 | | 73-21-11 | TB0248Y C008 | BJ | | L2 | | | VN191-VN192, VN651-VN656 | |
| 766 | 24 | PK | D08030J | 11 | | 27-51-31 | TB0158F A024 | 2 | | L2 | 3 | | VK090-VK130, VK141-VK160, VL701-VL750, VL941-VL945, VM999-VM999, VN055-VN080, VN191-VN210, VN291-VN300, VN651-VN656, VN676-VN680, VN731-VN790, VN811-VN820, VR401-VR401, VR426-VR426 | |
| 766 | 24 | PK | D08030J | 11 | | 27-51-31 | TB0158F A024 | 2 | | L2 | 2 | | VN657-VN670, VS111-VS111 | |

286T1078-302
Wire Bundle Assembly
Figure 108 (Sheet 56)

25-71-01



COMPONENT
MAINTENANCE MANUAL

| WIRE | | FROM EQUIPMENT | | | TO EQUIPMENT | | | WIRE INFO | | | | | |
|--------|----|----------------|---------|------|--------------|----------|---------|-----------|----|---------|----|-------|--|
| NUMBER | GA | TYP | NUMBER | TERM | TT | WDM REF | NUMBER | TERM | TT | EMC/SEP | FT | NOTES | EFFECTIVITY |
| 767 | 24 | PK | D08030J | 42 | | 27-58-31 | D02672 | 52 | | L2 | 4 | | VK090-VK130, VK141-VK160, VL701-VL750, VL941-VL945, VM999-VM999, VN055-VN080, VN191-VN210, VN291-VN300, VN651-VN656, VN676-VN680, VN731-VN790, VN811-VN820, VR401-VR401, VR426-VR426 |
| 767 | 24 | PK | D08030J | 42 | | 27-58-31 | D02672 | 52 | | L2 | 2 | | VN657-VN670, VS111-VS111 |
| 778 | 24 | PK | D02160 | 5 | | 73-21-15 | TB0248X | C012 | BJ | L2 | 4 | | VK090-VK130, VK141-VK160, VL701-VL750, VL941-VL945, VM999-VM999, VN055-VN080, VN191-VN210, VN291-VN300, VN651-VN656, VN676-VN680, VN731-VN790, VN811-VN820, VR401-VR401, VR426-VR426 |
| 778 | 24 | PK | D02160 | 5 | | 73-21-15 | TB0248X | C012 | BJ | L2 | 3 | | VN657-VN670, VS111-VS111 |
| 779 | 22 | PA | TB0248Y | A004 | BJ | 73-21-19 | D08030J | 43 | | L2 | 3 | | VK090-VK130, VK141-VK160, VL701-VL750, VL941-VL945, VM999-VM999, VN055-VN080, VN191-VN210, VN291-VN300, VN651-VN656, VN676-VN680, VN731-VN790, VN811-VN820, VR401-VR401, VR426-VR426 |
| 779 | 22 | PA | TB0248Y | A004 | BJ | 73-21-19 | D08030J | 43 | | L2 | 2 | | VN657-VN670, VS111-VS111 |
| 780 | 22 | PA | TB0248D | A022 | 2 | 73-21-19 | D08030J | 17 | | L2 | 3 | | VK090-VK130, VK141-VK160, VL701-VL750, VL941-VL945, VM999-VM999, VN055-VN080, VN191-VN210, VN291-VN300, VN651-VN656, VN676-VN680, VN731-VN790, VN811-VN820, VR401-VR401, VR426-VR426 |
| 780 | 22 | PA | TB0248D | A022 | 2 | 73-21-19 | D08030J | 17 | | L2 | 2 | | VN657-VN670, VS111-VS111 |
| 781 | 22 | PA | D08068J | 49 | | 36-11-51 | SM00001 | | W | L2 | 2 | | VK098-VK130, VK143-VK160, VL701-VL750, VL941-VL945, VM999-VM999, VN061-VN080, VN193-VN210, VN292-VN300, VN651-VN656, VN676-VN680, VN731-VN790, VN811-VN820, VR401-VR401, VR426-VR426 |
| 781 | 22 | PA | D08068J | 49 | | 36-11-51 | SM00001 | | W | L2 | 1 | | VN657-VN670, VS111-VS111 |

286T1078-302
Wire Bundle Assembly
Figure 108 (Sheet 57)

25-71-01

| WIRE | | FROM EQUIPMENT | | | TO EQUIPMENT | | | WIRE INFO | | | | | |
|--------|----|----------------|---------|------|--------------|----------|---------|-----------|----|---------|----|-------|--|
| NUMBER | GA | TYP | NUMBER | TERM | TT | WDM REF | NUMBER | TERM | TT | EMC/SEP | FT | NOTES | EFFECTIVITY |
| 901 | 24 | PK | D08112J | 18 | | 21-58-11 | TB0182X | B011 | BJ | L2 | 3 | | VK091-VK130, VK141-VK160, VL701-VL750, VL941-VL945, VM999-VM999, VN057-VN080, VN191-VN210, VN291-VN300, VN651-VN656, VN676-VN680, VN731-VN790, VN811-VN820, VR401-VR401, VR426-VR426 |
| 901 | 24 | PK | D08112J | 18 | | 21-58-11 | TB0182X | B011 | BJ | L2 | 2 | | |

286T1078-302
Wire Bundle Assembly
Figure 108 (Sheet 58)

25-71-01

| WIRE | | | FROM EQUIPMENT | | | TO EQUIPMENT | | | WIRE INFO | | | |
|--------|----|-----|----------------|---------|----------|--------------|---------|---------|-----------|--------|---|--|
| NUMBER | GA | TYP | NUMBER | TERM TT | WDM REF | NUMBER | TERM TT | EMC/SEP | FT | NOTES | EFFECTIVITY | |
| FRA | | | D08032J | | 73-21-11 | D08032J | 28 | R2 | | | | |
| PA1 | | | D01874 | 26 | 99-99-99 | D01874 | 34 | R2 | | DAW-B2 | | |
| PB1 | | | D01868 | 25 | 99-99-99 | D01868 | 35 | R2 | | DAW-B2 | | |
| PC1 | | | D01870 | 22 | 99-99-99 | D01870 | 38 | R2 | | DAW-B2 | | |
| PD1 | | | D01872 | 24 | 99-99-99 | D01872 | 36 | R2 | | DAW-B2 | | |
| PE1 | | | D02176 | 26 | 21-58-15 | D02176 | 34 | R2 | | DAW-B2 | | |
| PF1 | | | D01876 | 23 | 36-11-52 | D01876 | 37 | R2 | | | | |
| PG1 | | | D02162 | 7 | 73-21-11 | D02162 | 40 | R2 | | | | |
| PH1 | | | D02676 | 47 | 27-58-21 | D02676 | 66 | R2 | | DAW-B2 | | |
| 1 | 24 | PK | TB0158Y | C008 | BJ | | 18 | R2 | 3 | | | |
| 2 | 22 | PA | D01868 | 21 | 21-51-21 | GDX0002 | D.. | R2 | 4 | | VA001-VA300, VA701-VA719, VA800-VB050, VB201-VB250, VB281-VB284, VB301-VB320, VB371VB400, VE001-VE003, VE021-VE043, VE061-VE069, VE083-VE084 | |
| 3 | 24 | PK | D01868 | 13 | 21-51-21 | TB0248Y | C004 | BJ | 4 | | | |
| 4 | 24 | PK | D01868 | 14 | 21-51-21 | D05552J | 6 | R2 | 4 | | | |
| 5 | 24 | PK | D01868 | 8 | 21-51-21 | D05552J | 7 | R2 | 4 | | | |
| 6 | 24 | PK | D01868 | 7 | 21-51-21 | D05552J | 8 | R2 | 4 | | | |
| 7 | 24 | PK | D01868 | 36 | 21-51-21 | TB0158G | 4 | R2 | 4 | | VA001-VA020, VA701-VA719, VA801-VA810, VB001-VB002, VB201-VB202, VB281-VB284, VB301VB302, VB371-VB373, VE001-VE003, VE021-VE023, VE041-VE043, VE061-VE069, VE083-VE084 | |
| 7 | 24 | PK | D01868 | 36 | 21-51-21 | TB0158Y | C004 | BJ | 4 | | VA021-VA300, VA720-VA800, VA811-VA999, VB003-VB050, VB203-VB250, VB285-VB300, VB303VB320, VB374-VB400, VB421-VB440, VB451-VD999, VE004-VE020, VE024-VE040, VE044-VE060, VE070-VE082 | |

286T1080-101
Wire Bundle Assembly
Figure 109 (Sheet 1)

25-71-01



BOEING
COMPONENT
MAINTENANCE MANUAL

| WIRE | | FROM EQUIPMENT | | | TO EQUIPMENT | | | WIRE INFO | | | | | |
|--------|-----|----------------|---------|------|--------------|----------|---------|-----------|----|---------|----|----------------------------|---|
| NUMBER | GA. | TYP | NUMBER | TERM | TT | WDM REF | NUMBER | TERM | TT | EMC/SEP | FT | NOTES | EFFECTIVITY |
| 8 | 24 | PK | D01868 | 15 | | 21-51-11 | TB0158G | 3 | 2 | R2 | 4 | | VA001-VA020, VA701-VA719, VA801-VA810, VE001-VE002, VB201-VB202, VB281-VB284, VB301VB302, VB371-VB373, VE001-VE003, VE021-VE023, VE041-VE043, VE061-VE069, VE083-VE084 |
| 8 | 24 | PK | D01868 | 15 | | 21-51-11 | TB0158Y | A004 | BJ | R2 | 4 | | VA021-VA300, VA720-VA800, VA811-VA999, VB003-VB050, VB203-VB250, VB285-VB300, VB303VB320, VB374-VB400, VB421-VB440, VB451-VD999, VE004-VE020, VE024-VE040, VE044-VE060, VE070-VE082 |
| 9 | 24 | PK | D01868 | 17 | | 21-51-21 | D08032J | 38 | | R2 | 4 | | |
| 01A | 24 | PK | TB0158F | A017 | 2 | 21-26-11 | D05644J | 27 | | R2 | 5 | ZSZ-B6 | |
| 01A | 24 | PK | TB0158F | A017 | 2 | 21-26-11 | D05644J | 27 | | R2 | 4 | ZSZ-B6 | |
| 01A | 24 | PK | TB0158F | A017 | 2 | 21-26-11 | D05644J | 27 | | R2 | 4 | MNU-F2 MLA-T2 ZSZ-B6 | VE064-VE065, VE083-VE084 |
| 10 | 24 | PK | TB0248X | B001 | BJ | 31-51-41 | D04809J | 12 | | R2 | 3 | | |
| 11 | 22 | PA | D01876 | 21 | | 36-11-52 | D05766J | 13 | | R2 | 3 | | |
| 12 | 24 | PK | D01868 | 19 | | 21-51-21 | TB0158Y | C008 | BJ | R2 | 4 | | |
| 13 | 24 | PK | D08032J | 43 | | 21-51-21 | TB0158Y | A008 | BJ | R2 | 3 | | VA001-VA001 |
| 13 | 24 | PK | D08032J | 43 | | SPARE | TB0158Y | A008 | BJ | R2 | 3 | | VB283-VB284 |
| 14 | 24 | PK | D01868 | 4 | | 21-51-21 | TB0158Y | A008 | BJ | R2 | 4 | | |
| 15 | 24 | PK | D01868 | 5 | | 21-51-21 | TB0158Y | C007 | BJ | R2 | 4 | | |
| 16 | 24 | PK | D01868 | 22 | | 21-51-21 | D05552J | 21 | | R2 | 4 | | |
| 17 | 24 | PK | D01868 | 1 | | 21-51-21 | D05552J | 22 | | R2 | 4 | | |
| 18 | 24 | PK | D01868 | 27 | | 21-51-21 | TB0182D | A021 | 2 | R2 | 4 | | |
| 19 | 24 | PK | D01868 | 6 | | 21-51-21 | D02676 | 27 | | R2 | 3 | | |
| 20 | 22 | PA | D01868 | 28 | | 21-51-21 | TB0182Y | C001 | BJ | R2 | 4 | | |
| 21 | 24 | PK | D01868 | 31 | | 21-25-21 | D05552J | 27 | | R2 | 4 | | |
| 22 | 24 | PK | D01868 | 9 | | 21-53-21 | D08032J | 46 | | R2 | 4 | | |

286T1080-101
Wire Bundle Assembly
Figure 109 (Sheet 2)

25-71-01

| WIRE | | | FROM EQUIPMENT | | | TO EQUIPMENT | | | WIRE INFO | | | | |
|--------|----|-----|----------------|------|----|--------------|---------|------|-----------|---------|----|----------------------------|--|
| NUMBER | GA | TYP | NUMBER | TERM | TT | WDM REF | NUMBER | TERM | TT | EMC/SEP | FT | NOTES | EFFECTIVITY |
| 23 | 24 | PK | D01868 | 26 | | 21-53-22 | TB0158F | C012 | 2 | R2 | 4 | | VA001-VA001 VB283-VB284 |
| 24 | 24 | PK | D05552J | 25 | | 21-51-21 | TB0158Y | C007 | BJ | R2 | 3 | | |
| 24 | 24 | PK | D05552J | 25 | | SPARE | TB0158Y | C007 | BJ | R2 | 3 | | |
| 25 | 24 | PK | D01868 | 2 | | 21-51-21 | D05552J | 4 | | R2 | 4 | | |
| 26 | 24 | PK | D01868 | 32 | | 73-21-15 | D02162 | 33 | | R2 | 3 | | VA001-VA001, VA801-VA810, VB001-VB002, VB301-VB301 |
| 26 | 24 | PK | D01868 | 32 | | 73-21-15 | D05552J | 54 | | R2 | 5 | | VA002-VA020, VA701-VA710, VB201-VB202, VB281- VB284, VE001-VE002 |
| 26 | 24 | PK | D01868 | 32 | | 73-21-15 | D05552J | 54 | | R2 | 3 | | VA021-VA300, VA711-VA800, VA811-VA999, VB003- VB050, VB203-VE250, VB285-VB300, VB302VB320, VB371- VB400, VB421-VB440, VB451-VD999, VE003-VE084 |
| 27 | 24 | PK | D01868 | 18 | | 73-21-15 | D02162 | 28 | | R2 | 3 | | |
| 28 | 22 | PA | D01868 | 10 | | 21-51-21 | TB0158G | 16 | 2 | R2 | 4 | | |
| 29 | 24 | PK | D01874 | 29 | | 21-26-11 | TB0158F | A017 | 2 | R2 | 4 | | VA001-VA001, VA021-VA300, VA701-VB050, VB201- VB250, VB285-VB320, VB371-VB400, VB421VB440, VB451- VE063, VE066-VE082 |
| 29 | 24 | PK | D01874 | 29 | | 21-26-11 | D05644J | 26 | | R2 | 4 | ZSZ-B6 | |
| 29 | 24 | PK | D01874 | 29 | | 21-26-11 | D05644J | 26 | | R2 | 4 | MOT-F2 MLA-T2 ZSZ-B6 | |
| 30 | 24 | PK | D01868 | 12 | | 21-51-21 | TB0158G | 14 | 2 | R2 | 4 | | VA001-VA020, VA701-VA719, VA801-VA810, VB001- VB002, VB201-VB202, VB281-VB284, VB301VB302, VB371- VB373, VE001-VE003, VE021-VE023, VE041-VE043, VE061- VE069, VE083-VE084 |

286T1080-101
Wire Bundle Assembly
Figure 109 (Sheet 3)

25-71-01

TESTING & FAULT ISOLATION
01
Page 128T
Nov 01/02



BOEING
COMPONENT
MAINTENANCE MANUAL

| WIRE | | FROM EQUIPMENT | | | TO EQUIPMENT | | | WIRE INFO | | | | | |
|--------|----|----------------|---------|------|--------------|----------|---------|-----------|----|---------|----|-------|---|
| NUMBER | GA | TYP | NUMBER | TERM | TT | WDM REF | NUMBER | TERM | TT | EMC/SEP | FT | NOTES | EFFECTIVITY |
| 30 | 24 | PK | D01868 | 12 | | 21-51-21 | TB0158Y | C001 | BJ | R2 | 4 | | VA021-VA300, VA720-VA800, VA811-VA999, VB003- VB050, VB203-VB250, VB285-VB300, VB303VB320, VB374- VB400, VB421-VB440, VB451-VD999, VE004-VE020, VE024- VE040, VE044-VE060, VE070-VE082 |
| 31 | 24 | PK | D05552J | 31 | | 21-51-21 | TB0158Y | C008 | BJ | R2 | 3 | | VA001-VA020, VA701-VA710, VA801-VA810, VB001- VB002, VB201-VB202, VB281-VB284, VB301VB302 |
| 32 | 22 | PA | TB0182Y | C001 | BJ | 21-51-21 | D05552J | 24 | | R2 | 3 | | |
| 33 | 24 | PK | D01876 | 28 | | 36-11-41 | TB0248Y | A003 | BJ | R2 | 3 | | |
| 34 | 22 | PA | TB0158G | 16 | 2 | 21-51-21 | D05552J | 23 | | R2 | 3 | | |
| 35 | 24 | PK | D01874 | 1 | | 21-25-21 | D05552J | 29 | | R2 | 4 | | |
| 36 | 22 | PA | D01874 | 3 | | 21-25-21 | GDX0002 | D.. | 2 | R2 | 4 | | |
| 37 | 24 | PK | D01874 | 24 | | 21-25-21 | D05552J | 26 | | R2 | 4 | | |
| 38 | 22 | PA | D01874 | 4 | | 21-25-21 | GDX0004 | D.. | 2 | R2 | 4 | | |
| 39 | 24 | PK | D01874 | 22 | | 21-25-21 | D05552J | 28 | | R2 | 4 | | |
| 40 | 24 | PK | D01874 | 23 | | 21-25-21 | D05552J | 30 | | R2 | 4 | | |
| 41 | 24 | PK | D02176 | 13 | | 21-58-15 | TB0182X | C016 | BJ | R2 | 3 | | VA001-VA300, VA701-VA712, VA801-VA810, VB001- VB050, VB201-VB202, VB281-VB284, VB301VB302, VB371- VB373, VE001-VE002, VE021-VE068 |
| 41 | 24 | PK | D02176 | 13 | | 21-58-15 | D05644J | 8 | | R2 | 3 | | VA713-VA800, VA811-VA999, VB203-VB250, VB285- VB300, VB303-VB320, VB374-VB400, VB421VB440, VB451- VD999, VE003-VE020, VE069-VE084 |
| 42 | 22 | PA | D02176 | 15 | | 21-58-15 | GDX0004 | D.. | 2 | R2 | 4 | | VA001-VA300, VA701-VA712, VA801-VA810, VB001- VB050, VB201-VB202, VB281-VE284, VB301VB302, VB371- VB373, VE001-VE002, VE024-VE068 |
| 43 | 22 | PA | D02176 | 12 | | 21-58-15 | GDX0004 | D.. | 2 | R2 | 4 | | |

286T1080-101
Wire Bundle Assembly
Figure 109 (Sheet 4)

25-71-01



COMPONENT
MAINTENANCE MANUAL

| WIRES | | FROM EQUIPMENT | | | TO EQUIPMENT | | | WIRE INFO | | | | | |
|--------|----|----------------|---------|------|--------------|----------|---------|-----------|----|---------|----|-------|--|
| NUMBER | GA | TYP | NUMBER | TERM | TT | WDM REF | NUMBER | TERM | TT | EMC/SEP | FT | NOTES | EFFECTIVITY |
| 43 | 22 | PA | D02176 | 12 | | 21-58-15 | TB0182X | C016 | BJ | R2 | 4 | | VA713-VA800, VA811-VA999, VB203-VB250, VB285-VB300, VB303-VB320, VB374-VB400, VB421-VB440, VB451-VD999, VE003-VE020, VE069-VE084 |
| 44 | 24 | PK | D02176 | 33 | | 21-58-15 | D05644J | 4 | | R2 | 3 | | |
| 45 | 24 | PK | D02176 | 11 | | 21-58-15 | D05644J | 7 | | R2 | 3 | | |
| 46 | 24 | PK | D02176 | 32 | | 21-58-15 | D05644J | 1 | | R2 | 3 | | |
| 47 | 22 | PA | D05644J | 14 | | 36-11-52 | TB0248X | B012 | BJ | R2 | 3 | | VA002-VA300, VA701-VB050, VB201-VB250, VB281-VB320, VB371-VB400, VB421-VB440, VB451-VE084 |
| 48 | 24 | PK | D02176 | 37 | | 21-58-15 | TB0248X | A012 | BJ | R2 | 3 | | |
| 48 | 24 | PK | D02176 | 37 | | 21-58-15 | TB0248Y | A009 | BJ | R2 | 3 | | VE021-VE023 |
| 49 | 24 | PK | D02176 | 30 | | 21-58-15 | D05644J | 6 | | R2 | 3 | | VA001-VA300, VA701-VA712, VA801-VA810, VB001-VB050, VB201-VE202, VB281-VB284, VB301-VB302, VB371-VB373, VE001-VE002, VE024-VE068 |
| 49 | 24 | PK | D02176 | 12 | | 21-58-15 | D05644J | 6 | | R2 | 3 | | VE021-VE023 |
| 50 | 24 | PK | D01874 | 7 | | 21-26-11 | D05644J | 21 | | R2 | 3 | | |
| 51 | 22 | PA | D01874 | 9 | | 21-26-11 | GDX0002 | D.. | 2 | R2 | 4 | | |
| 52 | 24 | PK | D01874 | 28 | | 21-26-11 | D05644J | 22 | | R2 | 3 | | |
| 53 | 24 | PK | D01874 | 8 | | 21-26-11 | D05644J | 18 | | R2 | 3 | | |
| 54 | 24 | PK | D01874 | 6 | | 21-26-11 | D05644J | 20 | | R2 | 3 | | |
| 55 | 24 | PK | D01874 | 27 | | 21-26-11 | D05644J | 17 | | R2 | 3 | | VA001-VA001, VA021-VA300, VA705-VA800, VA809-VA999, VB003-VB050, VB203-VB250, VB282-VB320, VB371-VB400, VB421-VB440, VB451-VE084 |
| 56 | 24 | PK | D01874 | 36 | | 21-26-11 | D05644J | 32 | | R2 | 3 | | |
| 56 | 24 | PK | D01874 | 36 | | 21-26-11 | D05644J | 32 | | R2 | 4 | | VA002-VA020, VA701-VA704, VA801-VA808, VB001-VB002, VB281-VB281 |

286T1080-101
Wire Bundle Assembly
Figure 109 (Sheet 5)

25-71-01



BOEING
COMPONENT
MAINTENANCE MANUAL

| WIRE | | | FROM EQUIPMENT | | | TO EQUIPMENT | | | WIRE INFO | | | | |
|--------|----|-----|----------------|------|----|--------------|---------|------|-----------|---------|----|-------|---|
| NUMBER | GA | TYP | NUMBER | TERM | TT | WDM REF | NUMBER | TERM | TT | EMC/SEP | FT | NOTES | EFFECTIVITY |
| 56 | 24 | PK | D01874 | 36 | | 21-26-11 | TB0158F | A020 | 2 | R2 | 4 | | VB201-VB202 |
| 57 | 24 | PK | D01874 | 13 | | 21-58-14 | TB0182X | C013 | BJ | R2 | 4 | | VA001-VA300, VA701-VA712, VA801-VA810, VB001-VB050, VB201-VB202, VB281-VB284, VB301VB302, VB371-VB373, VE001-VE002, VE024-VE068 |
| 58 | 22 | PA | D01874 | 15 | | 21-58-14 | GDX0002 | D.. | 2 | R2 | 4 | | VA001-VA300, VA701-VA712, VA801-VA810, VB001-VB050, VB201-VB202, VB281-VB284, VB301VB302, VB371-VB373, VE001-VE002, VE024-VE068 |
| 59 | 24 | PK | D01874 | 12 | | 21-58-14 | D05644J | 13 | | R2 | 3 | | VA001-VA300, VA701-VA712, VA801-VA810, VB001-VB050, VB201-VB202, VB281-VB284, VB301VB302, VB371-VB373, VE001-VE002, VE024-VE068 |
| 60 | 24 | PK | D01874 | 33 | | 21-58-14 | D05644J | 10 | | R2 | 3 | | VA001-VA300, VA701-VA712, VA801-VA810, VB001-VB050, VB201-VB202, VB281-VB284, VB301VB302, VB371-VB373, VE001-VE002, VE024-VE068 |
| 61 | 24 | PK | D01874 | 11 | | 21-58-14 | D05644J | 12 | | R2 | 3 | | VA001-VA300, VA701-VA712, VA801-VA810, VB001-VB050, VB201-VB202, VB281-VB284, VB301VB302, VB371-VB373, VE001-VE002, VE024-VE068 |
| 62 | 24 | PK | D01874 | 32 | | 21-58-14 | D05644J | 9 | | R2 | 3 | | VA001-VA300, VA701-VA712, VA801-VA810, VB001-VB050, VB201-VB202, VB281-VB284, VB301VB302, VB371-VB373, VE001-VE002, VE024-VE068 |
| 63 | 24 | PK | D01874 | 14 | | 21-58-14 | TB0158F | C020 | 2 | R2 | 4 | | VA001-VA300, VA701-VA712, VA801-VA810, VB001-VB050, VB201-VB202, VB281-VB284, VB301VB302, VB371-VB373, VE001-VE002, VE024-VE068 |

286T1080-101
Wire Bundle Assembly
Figure 109 (Sheet 6)

25-71-01

TESTING & FAULT ISOLATION
01 Page 128W
Nov 01/02

| WIRE | | FROM EQUIPMENT | | | TO EQUIPMENT | | | WIRE INFO | | | | | |
|--------|-----|----------------|---------|------|--------------|----------|---------|-----------|----|---------|----|-------|---|
| NUMBER | GA. | TYP | NUMBER | TERM | TT | WDM REF | NUMBER | TERM | TT | EMC/SEP | FT | NOTES | EFFECTIVITY |
| 63 | 24 | PK | D02176 | 14 | | 21-58-15 | TB0158F | C020 | 2 | R2 | 4 | | VA713-VA800, VA811-VA999, VB203-VB250, VB285-VB300, VB303-VB320, VB374-VB400, VB421VB440, VB451-VD999, VE003-VE023, VE069-VE084 |
| 64 | 24 | PK | D01874 | 31 | | 21-58-14 | D05644J | 15 | | R2 | 3 | | VA001-VA300, VA701-VA712, VA801-VA810, VB001-VE050, VB201-VB202, VB281-VB284, VB301VB302, VB371-VB373, VE001-VE002, VE024-VE068 |
| 66 | 24 | PK | D01874 | 35 | | 21-26-11 | TB0248X | C011 | BJ | R2 | 4 | | VA001-VA300, VA701-VA712, VA801-VA810, VB001-VE050, VB201-VB202, VB281-VB284, VB301VB302, VB371-VB373, VE001-VE002, VE024-VE068 |
| 67 | 24 | PK | TB0158F | C017 | 2 | 21-58-14 | D01874 | 38 | | R2 | 4 | | VA713-VA800, VA811-VA999, VB203-VB250, VB285-VB300, VB303-VB320, VB374-VB400, VB421VB440, VB451-VD999, VE003-VE023, VE069-VE084 |
| 68 | 24 | PK | D01870 | 19 | | 21-53-12 | D05552J | 45 | | R2 | 4 | | |
| 69 | 22 | PA | D01870 | 21 | | 21-53-12 | GDX0002 | D.. | 2 | R2 | 5 | | |
| 70 | 24 | PK | D01870 | 6 | | 21-53-12 | D05552J | 40 | | R2 | 4 | | |
| 71 | 24 | PK | D01870 | 3 | | 21-53-12 | TB0182X | B012 | BJ | R2 | 4 | | |
| 72 | 24 | PK | D01870 | 37 | | 21-53-12 | D05552J | 42 | | R2 | 4 | | |
| 73 | 24 | PK | D01870 | 36 | | 21-53-12 | D05552J | 43 | | R2 | 4 | | |
| 74 | 24 | PK | D01870 | 35 | | 21-53-12 | D05552J | 44 | | R2 | 4 | | |
| 75 | 24 | PK | D01870 | 8 | | 21-53-12 | TB0158F | A012 | 2 | R2 | 4 | | |
| 76 | 24 | PK | D01870 | 4 | | 21-53-12 | D05552J | 50 | | R2 | 4 | | |
| 77 | 24 | PK | D01870 | 10 | | 21-53-12 | D05552J | 51 | | R2 | 4 | | |
| 78 | 24 | PK | D01870 | 7 | | 21-53-12 | D05552J | 48 | | R2 | 4 | | |
| 79 | 24 | PK | D01870 | 11 | | 21-53-12 | D05552J | 49 | | R2 | 4 | | |
| 80 | 24 | PK | D01870 | 12 | | 21-53-12 | D05552J | 46 | | R2 | 4 | | |

286T1080-101
Wire Bundle Assembly
Figure 109 (Sheet 7)

25-71-01



BOEING
COMPONENT
MAINTENANCE MANUAL

| WIRE | | | FROM EQUIPMENT | | | TO EQUIPMENT | | | WIRE INFO | | | | |
|--------|----|-----|----------------|------|----|--------------|---------|------|-----------|-------------|----|-------|---|
| NUMBER | GA | TYP | NUMBER | TERM | TT | WDM REF | NUMBER | TERM | TT | EMC/ SEP | FT | NOTES | EFFECTIVITY |
| 81 | 24 | PK | D01870 | 9 | | 21-53-12 | D05552J | 47 | | R2 | 4 | | |
| 82 | 24 | PK | D01870 | 16 | | 21-53-12 | D05552J | 34 | | R2 | 4 | | |
| 83 | 24 | PK | D01870 | 14 | | 21-53-12 | D05552J | 35 | | R2 | 4 | | |
| 84 | 24 | PK | D01870 | 15 | | 21-53-12 | D05552J | 36 | | R2 | 4 | | |
| 85 | 24 | PK | D01870 | 13 | | 21-53-12 | D05552J | 37 | | R2 | 4 | | |
| 86 | 24 | PK | D01870 | 18 | | 21-53-12 | D05552J | 38 | | R2 | 4 | | |
| 87 | 24 | PK | D01870 | 17 | | 21-53-12 | D05552J | 39 | | R2 | 4 | | |
| 88 | 24 | PK | D01870 | 5 | | 21-53-12 | D05552J | 33 | | R2 | 4 | | |
| 89 | 24 | PV | D01872 | 19 | | 21-58-11 | TB0158F | C011 | 2 | S2 | 3 | | |
| 089Z | | | D01872 | DED | | 21-58-11 | TB0158F | DED | | S2 | | | |
| 90 | 22 | PA | D01872 | 41 | | 21-58-11 | GDX0002 | D. | 2 | R2 | 4 | | |
| 91 | 24 | PK | D01872 | 3 | | 21-58-11 | TB0182Y | C002 | BJ | R2 | 3 | | |
| 92 | 24 | PK | D01872 | 4 | | 21-58-11 | TB0158G | 2 | 2 | R2 | 3 | | VA001-VA020, VA701-VA719, VA801-VA810, VB001- VB002, VB201-VB202, VB281-VB284, VB301VB302, VB371- VB373, VE001-VE003, VE021-VE023, VE041-VE043, VE061- VE069, VE083-VE084 |
| 92 | 24 | PK | D01872 | 4 | | 21-58-11 | TB0158Y | C003 | BJ | R2 | 3 | | VA021-VA300, VA720-VA800, VA811-VA999, VB003- VB050, VB203-VB250, VB285-VB300, VB303VB320, VB374- VB400, VB421-VB440, VB451-VD999, VE004-VE020, VE024- VE040, VE044-VE060, VE070-VE082 |
| 93 | 24 | PK | D01872 | 5 | | 21-58-11 | TB0182Y | A001 | BJ | R2 | 3 | | |
| 94 | 24 | PK | D01872 | 6 | | 21-58-11 | TB0248X | A001 | BJ | R2 | 3 | | |
| 95 | 24 | PK | TB0158D | C027 | 2 | 21-58-11 | D05644J | 23 | | R2 | 3 | | VA001-VA300, VA702-VA712, VA801-VA810, VB001- VB050, VB201-VB202, VB281-VB284, VB301VB302, VB371- VB373, VE001-VE002, VE024-VE026 |
| 95 | 24 | PK | TB0158D | C027 | 2 | 21-58-11 | D05644J | 23 | | R2 | 3 | | VA701-VA701 |

286T1080-101
Wire Bundle Assembly
Figure 109 (Sheet 8)

25-71-01

| WIRE | | FROM EQUIPMENT | | | TO EQUIPMENT | | | WIRE INFO | | | | | |
|--------|----|----------------|---------|------|--------------|----------|---------|-----------|----|-------------|----|-------|---|
| NUMBER | GA | TYP | NUMBER | TERM | TT | WDM REF | NUMBER | TERM | TT | EMC/ SEP | FT | NOTES | EFFECTIVITY |
| 96 | 24 | PK | D01872 | 7 | | 21-58-12 | D05552J | 56 | | R2 | 3 | | VA001-VA300, VA701-VA712, VA801-VA810, VB001- VB050, VB201-VB202, VB281-VB284, VB301VB302, VB371- VB373, VE001-VE002, VE021-VE068 |
| 96 | 24 | PK | D01872 | 7 | | 21-58-12 | TB0182X | B028 | BJ | R2 | 4 | | VA713-VA800, VA811-VA999, VB203-VB250, VB285- VB300, VB303-VB320, VB374-VB400, VB421VB440, VB451- VD999, VE003-VE020, VE069-VE084 |
| 97 | 24 | PK | D05552J | 58 | | 21-58-13 | D01872 | 11 | | R2 | 3 | | VA001-VA300, VB001-VB050, VE021-VE060 |
| 98 | 24 | PK | D01872 | 10 | | 21-58-13 | D05552J | 59 | | R2 | 3 | | VA001-VA300, VA701-VA712, VA801-VA810, VB001- VB050, VB201-VB202, VB281-VB284, VB301VB302, VB371- VB373, VE001-VE002, VE021-VE068 |
| 98 | 24 | PK | D01872 | 10 | | 21-58-12 | TB0182X | A028 | BJ | R2 | 4 | | VA713-VA800, VA811-VA999, VB203-VB250, VB285- VB300, VB303-VB320, VB374-VB400, VB421VB440, VB451- VD999, VE003-VE020, VE069-VE084 |
| 99 | 24 | PK | D01872 | 9 | | 21-58-13 | D05552J | 60 | | R2 | 3 | | VA001-VA020, VA701-VA712, VA801-VA810, VB001- VB002, VB201-VB202, VB281-VB284, VB301VB302, VB371- VB373, VE001-VE002, VE021-VE023, VE041-VE043, VE061- VE068 |
| 99 | 24 | PK | D01872 | 9 | | 21-58-12 | D05552J | 60 | | R2 | 3 | | VA021-VA300, VB003-VB050, VE024-VE040, VE044-VE060 |
| 99 | 24 | PK | D01872 | 9 | | 21-58-12 | TB0182X | C028 | BJ | R2 | 4 | | VA713-VA800, VA811-VA999, VB203-VB250, VB285- VB300, VB303-VB320, VB374-VB400, VB421VB440, VB451- VD999, VE003-VE020, VE069-VE084 |

 286T1080-101
 Wire Bundle Assembly
 Figure 109 (Sheet 9)

25-71-01

 TESTING & FAULT ISOLATION
 01 Page 128Z
 Nov 01/02



BOEING
COMPONENT
MAINTENANCE MANUAL

| WIRE | | FROM EQUIPMENT | | | TO EQUIPMENT | | | WIRE INFO | | | | | |
|--------|----|----------------|---------|------|--------------|----------|---------|-----------|----|---------|----|--------|---|
| NUMBER | GA | TYP | NUMBER | TERM | TT | WDM REF | NUMBER | TERM | TT | EMC/SEP | FT | NOTES | EFFECTIVITY |
| 101 | 22 | PA | D01872 | 15 | | 21-58-11 | TB0182Y | A002 | BJ | R2 | 3 | | VA001-VA020, VA701-VA719, VA801-VA810, VB001- VB002, VB201-VB202, VB281-VB284, VB301VB302, VB371- VB373, VE001-VE003, VE021-VE023, VE041-VE043, VE061- VE069 |
| 101 | 22 | PA | D01872 | 15 | | 21-58-11 | TB0182X | B011 | BJ | R2 | 3 | | VA021-VA300, VA720-VA800, VA811-VA999, VB003- VB050, VB203-VB250, VB285-VB300, VB303VB320, VB374- VB400, VB421-VB440, VB451-YD999, VE004-VE020, VE024- VE040, VE044-VE060, VE070-VE082 |
| 101 | 22 | PA | D01872 | 15 | | 21-58-11 | TB0182X | B011 | BJ | R2 | 3 | ZSZ-B6 | VE083-VE084 |
| 102 | 24 | PK | D01872 | 12 | | 33-16-11 | D0552J | 61 | | R2 | 3 | | |
| 103 | 24 | PK | D05644J | 41 | | 21-58-11 | D01872 | 20 | | R2 | 3 | | |
| 105 | 22 | PA | D01872 | 21 | | 21-58-11 | GDX0002 | D.. | 2 | R2 | 4 | | |
| 107 | 24 | PK | D01872 | 14 | | 21-58-11 | D05644J | 28 | | R2 | 3 | | |
| 109 | 22 | PA | D01872 | 17 | | 21-58-11 | TB0158F | A011 | 2 | R2 | 3 | | |
| 111 | 22 | PA | TB0182Y | A002 | BJ | 21-58-11 | D05644J | 24 | | R2 | 3 | | |
| 114 | 22 | PA | D01876 | 22 | | 36-11-52 | SM00002 | | W | R2 | 3 | | |
| 116 | 22 | PA | D01876 | 41 | | 36-11-52 | D05766J | 14 | | R2 | 3 | | |
| 119 | 24 | PK | D01876 | 39 | | 36-11-52 | SM00001 | | W | R2 | 3 | | |
| 120 | 24 | PK | D01876 | 5 | | 36-11-52 | TB0248X | A011 | BJ | R2 | 4 | | |
| 121 | 24 | PK | D01876 | 24 | | 36-11-52 | D05644J | 35 | | R2 | 3 | | |
| 122 | 22 | PA | D01876 | 7 | | 36-11-52 | D05644J | 36 | | R2 | 3 | | |
| 123 | 24 | PK | D01876 | 38 | | 36-11-52 | TB0158Y | A007 | BJ | R2 | 4 | | |
| 124 | 24 | PK | D05552J | 3 | | 21-25-21 | D01874 | 25 | | R2 | 4 | | |
| 125 | 22 | PA | D01876 | 11 | | 36-11-52 | SM00004 | | W | R2 | 3 | | |
| 126 | 24 | PK | D01876 | 4 | | 36-11-52 | D05644J | 37 | | R2 | 3 | | |
| 127 | 22 | PA | D01876 | 16 | | 36-11-52 | SM00003 | | W | R2 | 3 | | |
| 128 | 24 | PK | D01876 | 17 | | 36-11-62 | TB0248X | B011 | BJ | R2 | 4 | | |
| 129 | 22 | PA | D01876 | 2 | | 36-23-11 | D05644J | 38 | | R2 | 3 | | |
| 130 | 24 | PK | D01876 | 3 | | 36-11-62 | D05766J | 7 | | R2 | 3 | | |

286T1080-101
Wire Bundle Assembly
Figure 109 (Sheet 10)

25-71-01

TESTING & FAULT ISOLATION
01 Page 129

Nov 01/02

| WIRE | | FROM EQUIPMENT | | | TO EQUIPMENT | | | WIRE INFO | | | | | |
|--------|----|----------------|---------|------|--------------|----------|---------|-----------|----|---------|----|-------|---|
| NUMBER | GA | TYP | NUMBER | TERM | TT | WDM REF | NUMBER | TERM | TT | EMC/SEP | FT | NOTES | EFFECTIVITY |
| 131 | 22 | PA | SM00005 | | W | 36-11-62 | D05766J | 10 | | R2 | 3 | | |
| 132 | 22 | PA | D05644J | 29 | | 36-22-11 | TB0248Y | C009 | BJ | R2 | 3 | | |
| 135 | 22 | PA | SM00006 | | W | 36-11-62 | D05766J | 8 | | R2 | 3 | | |
| 136 | 24 | PK | D01876 | 13 | | 36-11-62 | D05766J | 9 | | R2 | 3 | | |
| 137 | 24 | PK | D01876 | 34 | | 36-11-62 | D05766J | 11 | | R2 | 3 | | |
| 138 | 24 | PK | D05644J | 5 | | 21-58-15 | D02176 | 31 | | R2 | 3 | | VA001-VA300, VB001-VE050, VE024-VE060 VE021-VE023 |
| 139 | 24 | PK | TB0158Y | A007 | BJ | 36-11-52 | D05766J | 1 | | R2 | 3 | | |
| 140 | 24 | PK | TB0158Y | A007 | BJ | 36-11-52 | D05766J | 4 | | R2 | 3 | | |
| 141 | 22 | PA | D01876 | 33 | | 36-11-62 | D05766J | 6 | | R2 | 3 | | |
| 142 | 24 | PK | D05644J | 3 | | 21-58-14 | D01874 | 30 | | R2 | 3 | | VA001-VA300, VB001-VE050, VE024-VE060 VA001-VA020, VA701-VA719, VA801-VA810, VB001- VB002, VB201-VE020, VB281-VE028, VB301VB302, VB371- VB373, VE001-VE003, VE021-VE023, VE041-VE043, VE061- VE069, VE083-VE084 |
| 143 | 24 | PK | TB0158G | 4 | 2 | 21-51-21 | D05552J | 9 | | R2 | 3 | | |
| 143 | 24 | PK | TB0158Y | C004 | BJ | 21-51-21 | D05552J | 9 | | R2 | 3 | | VA021-VA300, VA720-VA800, VA811-VA999, VB003- VB050, VB203-VE250, VB285-VB300, VB303VB320, VB374- VB400, VB421-VB440, VB451-VD599, VE004-VE020, VE024- VE040, VE044-VE060, VE070-VE082 |
| 147 | 24 | PK | D02676 | 22 | | 22-12-21 | D04887J | 6 | | R2 | 3 | | |
| 148 | 24 | PK | D02676 | 23 | | 22-12-21 | D04887J | 7 | | R2 | 3 | | |
| 150 | 22 | PA | D02676 | 8 | | 27-58-21 | GDX0002 | A.. | 2 | R2 | 4 | | |
| 152 | 24 | PK | D02676 | 7 | | 27-58-21 | D08032J | 2 | | R2 | 3 | | |
| 153 | 24 | PK | TB0248X | D011 | BJ | 21-58-14 | D01874 | 37 | | R2 | 4 | | VA001-VA300, VA701-VA712, VA801-VA810, VB001- VB050, VB201-VE202, VB281-VE284, VB301VB302, VB371- VB373, VE001-VE002, VE024-VE068 |
| 155 | 24 | PK | D02676 | 38 | | 22-12-21 | D04887J | 8 | | R2 | 3 | | |

286T1080-101
Wire Bundle Assembly
Figure 109 (Sheet 11)

25-71-01



BOEING
COMPONENT
MAINTENANCE MANUAL

| WIRE | | | FROM EQUIPMENT | | | TO EQUIPMENT | | | WIRE INFO | | | | |
|--------|----|-----|----------------|------|----|--------------|---------|------|-----------|---------|----|-------|--|
| NUMBER | GA | TYP | NUMBER | TERM | TT | WDM REF | NUMBER | TERM | TT | EMC/SEP | FT | NOTES | EFFECTIVITY |
| 156 | 24 | PK | D02162 | 39 | | 22-12-21 | D04887J | 9 | | R2 | 3 | | |
| 157 | 24 | PK | D02162 | 23 | | 73-21-15 | TB0182Y | A003 | BJ | R2 | 4 | | |
| 158 | 24 | PV | D02162 | 56 | | 73-21-17 | TB0182X | C012 | BJ | R2 | 4 | | |
| 158Z | | | D02162 | DED | | 73-21-17 | TB0182X | DED | | R2 | | | |
| 159 | 24 | PV | D02162 | 52 | | 73-21-11 | D08032J | 15 | | R2 | 3 | | |
| 159Z | | | D02162 | | | 73-21-11 | D08032J | | | R2 | | | |
| 160 | 24 | PK | D02162 | 17 | | 73-21-19 | D08032J | 34 | | R2 | 3 | | |
| 161 | 24 | PK | D02162 | 18 | | 73-21-19 | D08032J | 33 | | R2 | 3 | | |
| 162 | 22 | PA | D02162 | 50 | | 73-21-19 | D08032J | 19 | | R2 | 4 | | VA001-VA300, VA704-VB050, VB201-VB250, VB281-VB320, VB371-VB400, VB421-VB440, VB451VE084 |
| 162 | 22 | PA | D02162 | 50 | | 73-21-19 | TB0182Y | C006 | BJ | R2 | 4 | | VA701-VA703 |
| 163 | 24 | PK | D02162 | 16 | | 73-21-19 | D08032J | 32 | | R2 | 3 | | |
| 164 | 20 | UA | D02162 | | | 73-21-11 | GDX0002 | S.. | 2 | R2 | 4 | | |
| 165 | 24 | PV | D02162 | 12 | | 73-21-16 | TB0182X | A012 | BJ | R2 | 4 | | |
| 165Z | | | D02162 | | | 73-21-16 | TB0182X | D011 | BJ | R2 | | | |
| 166 | 24 | PV | D02162 | 45 | | 73-21-16 | D08032J | 10 | | R2 | 3 | | |
| 166Z | | | D02162 | | | 73-21-16 | D08032J | | | R2 | | | |
| 167 | 24 | PK | D02162 | 9 | | 22-32-13 | D04887J | 15 | | R2 | 3 | | |
| 168 | 24 | PV | D02162 | 31 | | 73-21-11 | TB0248Z | 5 | BJ | R2 | 4 | | |
| 168Z | | | D02162 | | | 73-21-11 | TB0248Z | 6 | BJ | R2 | | | |
| 169 | 24 | PV | D02162 | 4 | | 73-21-12 | D08032J | 16 | | R2 | 3 | | |
| 169Z | | | D02162 | | | 73-21-12 | D08032J | | | R2 | | | |
| 170 | 24 | PK | D02162 | 3 | | 73-21-12 | D08032J | 29 | | R2 | 3 | | |
| 172 | 22 | PA | TB0182X | A027 | BJ | 73-21-11 | D08032J | 5 | | R2 | 3 | | |
| 173 | 24 | PK | D02162 | 2 | | 73-21-11 | TB0182Y | C003 | BJ | R2 | 4 | | |
| 174 | 24 | PK | D02162 | 48 | | 22-32-13 | D04887J | 14 | | R2 | 3 | | |
| 175 | 24 | PV | D02162 | 46 | | 73-21-17 | D08032J | 12 | | R2 | 3 | | |
| 175Z | | | D02162 | | | 73-21-17 | D08032J | | | R2 | | | |
| 176 | 24 | PK | D02162 | 55 | | 22-32-13 | D04887J | 18 | | R2 | 3 | | |
| 177 | 22 | PA | TB0182Y | C006 | BJ | 73-21-19 | D08032J | 19 | | R2 | 3 | | VA701-VA703 |

286T1080-101
Wire Bundle Assembly
Figure 109 (Sheet 12)

25-71-01

| WIRE | | FROM EQUIPMENT | | | TO EQUIPMENT | | | WIRE INFO | | | | | |
|--------|----|----------------|---------|------|--------------|----------|---------|-----------|----|---------|----|-------|-------------------------|
| NUMBER | GA | ITYP | NUMBER | TERM | TT | WDM REF | NUMBER | TERM | TT | EMC/SEP | FT | NOTES | EFFECTIVITY |
| 178 | 24 | PK | D02162 | 44 | | 73-21-16 | D08032J | 35 | | R2 | 3 | | |
| 179 | 24 | PV | D02162 | 57 | | 73-21-15 | D08032J | 9 | | R2 | 3 | | |
| 179Z | | | D02162 | | | 73-21-15 | D08032J | | | R2 | | | |
| 181 | 24 | PK | D08032J | 6 | | 73-21-18 | TB0182X | B008 | BJ | R2 | 3 | | |
| 182 | 24 | PK | TB0182Y | C003 | BJ | 73-21-11 | D08032J | 3 | | R2 | 3 | | |
| 183 | 24 | PK | TB0182Y | C005 | BJ | 73-21-15 | D08032J | 17 | | R2 | 3 | | |
| 184 | 24 | PK | TB0182Y | A006 | BJ | 22-32-13 | D04887J | 11 | | R2 | 3 | | |
| 185 | 24 | PK | TB0182Y | A003 | BJ | 22-32-13 | D04887J | 12 | | R2 | 3 | | |
| 186 | 24 | PV | TB0248Z | 5 | BJ | 73-21-11 | D08032J | 7 | | R2 | 3 | | |
| 186Z | | | TB0248Z | 6 | BJ | 73-21-11 | D08032J | | | R2 | | | |
| 187 | 24 | PV | TB0182X | B015 | BJ | 73-21-17 | D08032J | 13 | | R2 | 3 | | |
| 187Z | | | TB0182X | A015 | BJ | 73-21-17 | D08032J | | | R2 | | | |
| 188 | 24 | PK | TB0182X | B011 | BJ | 73-21-17 | D08032J | 18 | | R2 | 3 | | VA001-VA001,VA701-VA704 |
| 189 | 22 | PA | D02162 | 19 | | 73-21-11 | GDX0002 | D.. | 2 | R2 | 4 | | |
| 191 | 24 | PK | D02162 | 34 | | 73-21-11 | TB0182Y | C003 | BJ | R2 | 4 | | |
| 193 | 22 | PA | D02162 | 32 | | 73-21-11 | GDX0002 | D.. | 2 | R2 | 4 | | |
| 194 | 24 | PV | D02162 | 42 | | 73-21-11 | TB0248Z | 7 | BJ | R2 | 4 | | |
| 194Z | | | D02162 | | | 73-21-11 | TB0248Z | 8 | BJ | R2 | | | |
| 195 | 24 | PK | D02162 | 27 | | 22-32-13 | D04887J | 17 | | R2 | 3 | | |
| 196 | 24 | PK | D02162 | 66 | | 73-21-15 | TB0182Y | C005 | BJ | R2 | 4 | | |
| 197 | 24 | PK | D02162 | 64 | | 22-32-13 | D04887J | 16 | | R2 | 3 | | |
| 198 | 24 | PK | D02162 | 25 | | 73-21-15 | TB0182Y | A006 | BJ | R2 | 4 | | |
| 199 | 24 | PV | D02162 | 61 | | 73-21-15 | D08032J | 8 | | R2 | 3 | | |
| 199Z | | | D02162 | | | 73-21-15 | D08032J | | | R2 | | | |
| 201B | 24 | PL | D02676 | 17 | | 27-51-11 | D08032J | 25 | | R2 | 3 | | |
| 201R | 24 | PL | D02676 | 18 | | 27-51-11 | D08032J | 26 | | R2 | | | |
| 202B | 24 | PL | D02676 | 9 | | 27-58-21 | D08032J | 20 | | R2 | 3 | | |
| 202R | 24 | PL | D02676 | 10 | | 27-58-21 | D08032J | 21 | | R2 | | | |
| 203B | 22 | PB | D02676 | 41 | | 27-41-21 | D04887J | 5 | | R2 | 3 | | |
| 203R | 22 | PB | D02676 | 40 | | 27-41-21 | D04887J | 4 | | R2 | | | |

286T1080-101
Wire Bundle Assembly
Figure 109 (Sheet 13)

25-71-01

TESTING & FAULT ISOLATION
01 Page 130B
Nov 01/02



BOEING
COMPONENT
MAINTENANCE MANUAL

| WIRE | | | FROM EQUIPMENT | | | TO EQUIPMENT | | | WIRE INFO | | | | |
|--------|----|-----|----------------|------|----|--------------|---------|------|-----------|-------------|----|-------|---|
| NUMBER | GA | TYP | NUMBER | TERM | TT | WDM REF | NUMBER | TERM | TT | EMC/ SEP | FT | NOTES | EFFECTIVITY |
| 206B | 24 | PL | D02676 | 35 | | 27-58-21 | D04887J | 30 | | R2 | 3 | | |
| 206R | 24 | PL | D02676 | 31 | | 27-58-21 | D04887J | 31 | | R2 | | | |
| 207B | 24 | PL | D02676 | 21 | | 27-32-21 | D04887J | 29 | | R2 | 3 | | |
| 207R | 24 | PL | D02676 | 19 | | 27-32-21 | D04887J | 28 | | R2 | | | |
| 211B | 24 | PL | D08032J | 47 | | 77-12-12 | TB0182X | C007 | BJ | R2 | 3 | | |
| 211R | 24 | PL | D08032J | 50 | | 77-12-12 | TB0182X | D007 | BJ | R2 | | | |
| 212B | 24 | PL | D05522J | 10 | | 77-12-12 | TB0248X | C016 | BJ | R2 | 3 | | |
| 212R | 24 | PL | D05522J | 11 | | 77-12-12 | TB0248X | D016 | BJ | R2 | | | |
| 301B | 24 | PM | D02676 | 12 | | 27-58-21 | D08032J | 22 | | R2 | 3 | | |
| 301R | 24 | PM | D02676 | 13 | | 27-58-21 | D08032J | 23 | | R2 | | | |
| 301Y | 24 | PM | D02676 | 11 | | 27-58-21 | D08032J | 24 | | R2 | | | |
| 304B | 24 | PM | D02676 | 32 | | 27-58-21 | D04887J | 32 | | R2 | 3 | | |
| 304R | 24 | PM | D02676 | 33 | | 27-58-21 | D04887J | 33 | | R2 | | | |
| 304Y | 24 | PM | D02676 | 34 | | 27-58-21 | D04887J | 34 | | R2 | | | |
| 500 | 24 | PK | D05644J | 40 | | 21-58-11 | D01872 | 1 | | R2 | 3 | | |
| 502 | 24 | PK | D02162 | 65 | | 34-61-13 | TB0158G | 1 | 2 | R2 | 4 | | VA001-VA020, VA701-VA719, VA801-VA810, VB001- VB002, VB201-VB202, VB281-VB284, VB301VB302, VB371- VB373, VE001-VE003, VE021-VE023, VE041-VE043, VE061- VE069, VE083-VE084 |
| 502 | 24 | PK | D02162 | 65 | | 34-61-13 | TB0158Y | A003 | BJ | R2 | 3 | | VA021-VA300, VA720-VA800, VA811-VA999, VB003- VB050, VB203-VB250, VB285-VB300, VB303VB320, VB374- VB400, VB421-VB440, VB451-VD999, VE004-VE020, VE024- VE040, VE044-VE060, VE070-VE082 |
| 503 | 24 | PK | D02162 | 59 | | 34-61-13 | TB0158G | 18 | 2 | R2 | 4 | | |
| 504 | 24 | PK | D02162 | 22 | | 34-61-13 | TB0158G | 21 | 2 | R2 | 4 | | |
| 505 | 24 | PK | D02162 | 14 | | 34-61-13 | TB0158G | 22 | 2 | R2 | 4 | | |
| 506 | 24 | PK | D02162 | 43 | | 34-61-13 | TB0158G | 23 | 2 | R2 | 4 | | |

286T1080-101
Wire Bundle Assembly
Figure 109 (Sheet 14)

25-71-01

| WIRE | | FROM EQUIPMENT | | | TO EQUIPMENT | | | WIRE INFO | | |
|--------|--------|----------------|---------|----------|--------------|---------|----------|-----------|-------|---|
| NUMBER | GA TYP | NUMBER | TERM TT | WDM REF | NUMBER | TERM TT | EMC/ SEP | FT | NOTES | EFFECTIVITY |
| 507 | 24 PK | TB0158G | 1 | 34-61-23 | D04809J | 1 | R2 | 3 | | VA001-VA020, VA701-VA719, VA801-VA810, VB001-VB002, VB201-VB202, VB281-VB284, VB301VB302, VB371-VB373, VE001-VE003, VE021-VE023, VE041-VE043, VE061-VE069, VE083-VE084 |
| 507 | 24 PK | TB0158Y A003 | BJ | 34-61-23 | D04809J | 1 | R2 | 3 | | VA021-VA300, VA720-VA800, VA811-VA999, VB003-VB050, VB203-VB250, VB285-VB300, VB303VB320, VB374-VB400, VB421-VB440, VB451-VB999, VE004-VE020, VE024-VE040, VE044-VE060, VE070-VE082 |
| 508 | 24 PK | TB0158G | 18 | 34-61-23 | D04809J | 2 | R2 | 3 | | |
| 509 | 24 PK | TB0158G | 21 | 34-61-23 | D04809J | 3 | R2 | 3 | | |
| 510 | 24 PK | TB0158G | 22 | 34-61-23 | D04809J | 4 | R2 | 3 | | |
| 511 | 24 PK | TB0158G | 23 | 34-61-23 | D04809J | 5 | R2 | 3 | | |
| 512 | 24 PV | TB0182Y A005 | BJ | 34-61-23 | D04809J | 6 | L2 | 3 | | |
| 512Z | | D04809J | DED | 34-61-23 | TB0182Y | DED | R2 | | | |
| 513 | 24 PV | TB0182Y A004 | BJ | 34-61-23 | D04809J | 7 | L2 | 3 | | |
| 513Z | | D04809J | DED | 34-61-23 | TB0182Y | DED | R2 | | | |
| 514 | 24 PV | TB0182Y A009 | BJ | 34-61-23 | D04809J | 8 | L2 | 3 | | |
| 514Z | | D04809J | DED | 34-61-23 | TB0182Y | DED | R2 | | | |
| 515 | 24 PV | TB0182Y C009 | BJ | 34-61-23 | D04809J | 9 | L2 | 3 | | |
| 515Z | | D04809J | DED | 34-61-23 | TB0182Y | DED | R2 | | | |
| 516 | 24 PV | TB0182Y A010 | BJ | 34-61-23 | D04809J | 10 | L2 | 3 | | |
| 516Z | | D04809J | DED | 34-61-23 | TB0182Y | DED | R2 | | | |
| 517 | 20 UA | GDX0002 | S.. | 73-21-11 | D08032J | | R2 | 3 | | |
| 518 | 22 PA | D02676 | 43 | 27-58-21 | GDX0002 | D.. | R2 | 4 | | |
| 521 | 22 PA | D02676 | 29 | 27-61-11 | D04887J | 27 | R2 | 3 | | VA001-VA001, VA701-VA719, VE201-VB202, VB302-VB302, VE021-VE023, VE041-VE043, VE064VE065, VE083-VE084 |

 286T1080-101
 Wire Bundle Assembly
 Figure 109 (Sheet 15)

25-71-01

 TESTING & FAULT ISOLATION
 01 Page 130D
 Nov 01/02



BOEING
COMPONENT
MAINTENANCE MANUAL

| WIRE | | FROM EQUIPMENT | | | TO EQUIPMENT | | | WIRE INFO | | | | | |
|--------|----|----------------|---------|------|--------------|----------|---------|-----------|----|---------|----|------------------|--|
| NUMBER | GA | TYP | NUMBER | TERM | TT | WDM REF | NUMBER | TERM | TT | EMC/SEP | FT | NOTES | EFFECTIVITY |
| 521 | 22 | PA | D02676 | 29 | | 27-61-11 | TB0158D | C015 | 2 | R2 | 3 | MNU-T2 MOT-F2 | VA002-VA020, VA801-VA810, VB001-VB002, VB281- VB284, VB301-VB301 |
| 521 | 22 | PA | D02676 | 29 | | 27-61-11 | TB0158D | C013 | 2 | R2 | 4 | | VA021-VA300, VA811-VA999, VB003-VB050, VB203- VB250, VB303-VB320, VB374-VB400, VE024VE040 |
| 521 | 22 | PA | D02676 | 29 | | 27-61-11 | D04887J | 27 | | R2 | 4 | | VA720-VA800, VB285-VB300, VB421-VB440, VB451- VD999, VE004-VE020, VE044-VE060, VE070VE082 |
| 521 | 22 | PA | D02676 | 29 | | 27-61-11 | D04887J | 27 | | R2 | 4 | | VB371-VB373 |
| 521 | 22 | PA | D02676 | 29 | | 27-61-11 | TB0158D | C015 | 2 | R2 | 3 | MNU-T2 MOT-F2 | VE001-VE003 |
| 521 | 22 | PA | D02676 | 29 | | 27-61-11 | D04887J | 27 | | R2 | 3 | ZSZ-B6 | VE061-VE062, VE067-VE069 |
| 521 | 22 | PA | D02676 | 29 | | 27-61-11 | TB0158D | C027 | 2 | R2 | 3 | ZSZ-B6 | VE063-VE063, VE066-VE066 |
| 523 | 22 | PA | D02676 | 26 | | 27-41-21 | D04887J | 1 | | R2 | 3 | | VA001-VA020, VA701-VA712, VB001-VB002, VB201- VB202, VB301-VB302 |
| 523 | 22 | PA | D02676 | 26 | | 22-24-21 | D04887J | 1 | | R2 | 3 | | VA021-VA300, VA713-VA999, VB003-VB050, VB203- VB250, VB281-VB300, VB303-VB320, VB371VB400, VB421- VB440, VB451-VE084 |
| 524 | 24 | PK | TB0158F | A025 | 2 | 21-51-11 | D01876 | 10 | | R2 | 4 | | |
| 525 | 24 | PK | D01868 | 3 | | 21-51-21 | TB0158G | 9 | 2 | R2 | 4 | | |
| 526 | 24 | PK | D01868 | 16 | | 21-51-21 | TB0158F | C025 | 2 | R2 | 4 | | |
| 527 | 24 | PK | D01868 | 37 | | 21-51-21 | D01876 | 8 | | R2 | 3 | | |
| 528 | 24 | PK | D01868 | 38 | | 21-51-21 | D08032J | 4 | | R2 | 4 | | |
| 529 | 24 | PV | D02162 | 8 | | 73-21-11 | TB0248Z | 5 | BJ | R2 | 4 | | |
| 529Z | | | D02162 | | | 73-21-11 | TB0248Z | 6 | BJ | R2 | 4 | | |
| 530 | 24 | PK | D02162 | 11 | | 73-21-15 | TB0158G | 26 | 2 | R2 | 4 | | |
| 531 | 24 | PV | D02162 | 53 | | 73-21-16 | D08032J | 11 | | R2 | 3 | | |
| 531Z | | | D02162 | | | 73-21-16 | D08032J | | | R2 | | | |
| 532 | 24 | PV | D02162 | 10 | | 73-21-17 | D08032J | 14 | | R2 | 3 | | |
| 532Z | | | D02162 | | | 73-21-17 | D08032J | | | R2 | | | |
| 533 | 24 | PK | TB0182X | D012 | BJ | 73-21-17 | D08032J | 31 | | R2 | 2 | | |

286T1080-101
Wire Bundle Assembly
Figure 109 (Sheet 16)

25-71-01

TESTING & FAULT ISOLATION

01

Page 130E

Nov 01/02

| WIRE | | FROM EQUIPMENT | | | TO EQUIPMENT | | | WIRE INFO | | | | | |
|--------|----|----------------|---------|------|--------------|----------|---------|-----------|----|---------|----|----------------------------|---|
| NUMBER | GA | TYP | NUMBER | TERM | TT | WDM REF | NUMBER | TERM | TT | EMC/SEP | FT | NOTES | EFFECTIVITY |
| 534 | 24 | PK | D08032J | 30 | | 73-21-16 | D02162 | 49 | | R2 | 3 | | VA701-VA712, VA801-VA810, VB201-VB202, VB281-VB284, VB301-VB302, VB371-VB373, VE001VE002, VE061-VE068 |
| 537 | 22 | PA | GDX0004 | D.. | 2 | 21-58-13 | D01872 | 11 | | R2 | 4 | | |
| 538 | 24 | PK | D01868 | 30 | | 21-53-22 | TB0182X | C011 | BJ | R2 | 4 | | |
| 540 | 24 | PK | D08032J | 37 | | 21-58-11 | TB0182Y | C002 | BJ | R2 | 2 | | |
| 541 | 24 | PK | D05766J | 19 | | 73-21-11 | TB0182Y | C003 | BJ | R2 | 2 | | |
| 542 | 24 | PK | D05766J | 20 | | 73-21-11 | TB0248Y | A004 | BJ | R2 | 2 | | VA001-VA020, VA300-VA300, VA800-VA810, VB001-VB002, VB301-VB302, VB421-VB440, VB451VE003, VE021-VE023, VE041-VE043, VE061-VE069, VE083-VE084 |
| 542 | 24 | PK | D05766J | 20 | | 73-21-11 | SP04014 | | W | R2 | 4 | | VA021-VA299, VA720-VA799, VA811-VA999, VB003-VB050, VB203-VB250, VB285-VB300, VB303VB320, VB374-VB400, VE004-VE020, VE024-VE040, VE044-VE060, VE070-VE082 |
| 542 | 24 | PK | D05766J | 20 | | 73-21-11 | SP04014 | | W | R2 | 2 | | VA701-VA719, VB201-VB202, VB281-VB284, VB371-VB373 |
| 543 | 24 | PK | D01872 | 11 | | 21-58-12 | TB0182X | D028 | BJ | R2 | 3 | | VA713-VA800, VA811-VA999, VB203-VB250, VB285-VB300, VB303-VB320, VB374-VB400, VB421VB440, VB451-VD999, VE003-VE020, VE069-VE084 |
| 559 | 22 | PA | D04887J | 27 | | 27-61-11 | TB0158D | A015 | 2 | R2 | 3 | MLA-F2 | VA002-VA020, VA801-VA810, VB001-VB002, VB281-VB284, VB301-VB301 |
| 559 | 22 | PA | D04887J | 27 | | 27-61-11 | TB0158D | A013 | 2 | R2 | 3 | MNU-T2 | VA021-VA300, VA811-VA999, VB003-VB050, VB203-VB250, VB303-VB320, VB374-VB400, VE024VE040 |
| 559 | 22 | PA | D04887J | 27 | | 27-61-11 | TB0158D | A015 | 2 | R2 | 3 | MLA-F2 | VE001-VE003 |
| 559 | 22 | PA | D04887J | 27 | | 27-61-11 | TB0158D | A027 | 2 | R2 | 3 | MNU-T2 ZSZ-B6 ZSZ-B6 | VE063-VE063, VE066-VE066 |

286T1080-101
Wire Bundle Assembly
Figure 109 (Sheet 17)

25-71-01



BOEING
COMPONENT
MAINTENANCE MANUAL

| WIRE | | | FROM EQUIPMENT | | | | TO EQUIPMENT | | | | WIRE INFO | | | |
|--------|----|-----|----------------|------|----|----------|--------------|------|----|---------|-----------|----------------------------|---|--|
| NUMBER | GA | TYP | NUMBER | TERM | TT | WDM REF | NUMBER | TERM | TT | EMC/SEP | FT | NOTES | EFFECTIVITY | |
| 560 | 22 | PA | TB0158D | C015 | 2 | 27-61-11 | TB0158D | C028 | 2 | R2 | 2 | MNU-B2 | VA002-VA020, VA801-VA810, VB001-VB002, VB281-VB284, VB301-VB301 | |
| 560 | 22 | PA | TB0158D | C013 | 2 | 27-61-11 | TB0158D | C014 | 2 | R2 | 3 | | VA021-VA300, VA811-VA999, VB003-VB050, VB203-VB250, VB303-VB320, VB374-VB400, VE024VE040 | |
| 560 | 22 | PA | TB0158D | C015 | 2 | 27-61-11 | TB0158D | C028 | 2 | R2 | 2 | MNU-B2 ZSZ-B6 | VE001-VE003 | |
| 560 | 22 | PA | TB0158D | C027 | 2 | 27-61-11 | TB0158D | C028 | 2 | R2 | 2 | ZSZ-B6 | VE063-VE063, VE066-VE066 | |
| 600 | 22 | PA | D02676 | 44 | | 27-41-21 | D04887J | 26 | 3 | R2 | 3 | | VA002-VA300, VA713-VA999, VB003-VB050, VB203-VB250, VB281-VB300, VB303-VB320, VB371VB400, VB421-VB440, VB451-VE060, VE069-VE082 | |
| 600 | 22 | PA | D02676 | 44 | | 27-41-21 | D04887J | 26 | 3 | R2 | 3 | MLA-T2 MOT-F2 ZSZ-B6 | VE061-VE068, VE083-VE084 | |
| 601 | 24 | PK | D04809J | 23 | | 31-51-42 | TB0182D | C026 | 2 | R2 | 3 | | VB371-VB373 | |
| 616 | 24 | PK | SP04014 | | W | 77-35-11 | D05552J | 15 | 4 | R2 | 4 | | VA021-VA299, VA720-VA799, VA811-VA999, VB003-VB050, VB203-VB250, VB285-VB300, VB303VB320, VB374-VB400, VE004-VE020, VE024-VE040, VE044-VE060, VE070-VE082 | |
| 616 | 24 | PK | SP04014 | | W | 77-35-11 | D05552J | 15 | | R2 | 5 | MLA-T2 | VA701-VA719, VB201-VB202, VB281-VB284, VB371-VB373 | |
| 617 | 24 | PK | TB0248Y | A004 | BJ | 77-35-11 | D05552J | 20 | | R2 | 3 | | VA021-VA299, VA720-VA799, VA811-VA999, VB003-VB050, VB203-VB250, VB285-VB300, VB303VB320, VB374-VB400, VE004-VE020, VE024-VE040, VE044-VE060, VE070-VE082 | |
| 617 | 24 | PK | TB0248Y | A004 | BJ | 77-35-11 | D05552J | 20 | | R2 | 5 | MNU-F2 MLA-T2 | VA701-VA719, VB201-VB202, VB281-VB284, VB371-VB373 | |
| 701 | 22 | PA | TB0182Y | C001 | BJ | 21-51-21 | D08032J | 54 | | R2 | 3 | | | |

286T1080-101
Wire Bundle Assembly
Figure 109 (Sheet 18)

25-71-01

| WIRE | | FROM EQUIPMENT | | | TO EQUIPMENT | | | WIRE INFO | | | | | |
|--------|----|----------------|---------|------|--------------|----------|---------|-----------|----|-------------|----|----------------------------|---|
| NUMBER | GA | TYP | NUMBER | TERM | TT | WDM REF | NUMBER | TERM | TT | EMC/ SEP | FT | NOTES | EFFECTIVITY |
| 702 | 24 | PK | D08032J | 55 | | 74-31-21 | D02676 | 58 | | R2 | 3 | | VA001-VA020, VA300-VA300, VA701-VA712, VA800-VA810, VB201-VB202, VB301-VB302, VE021VE023, VE064-VE065 |
| 704 | 24 | PK | D05552J | 25 | | 21-58-11 | TB0158F | C011 | 2 | R2 | 4 | ZSZ-B6 | VA711-VA712, VB302-VB302, VB371-VB373 |
| 704 | 24 | PK | D05552J | 25 | | 21-58-11 | TB0158F | C011 | 2 | R2 | 5 | ZSZ-B6 MLA-F2 MNU-T2 | VE061-VE062 |
| 705 | 24 | PK | D08032J | 41 | | 73-21-19 | TB0248Y | A009 | BJ | R2 | 3 | | VA701-VA703 |
| 706 | 24 | PK | D08032J | 51 | | 30-31-21 | TB0248Y | A014 | BJ | R2 | 3 | | |
| 707 | 24 | PK | D08032J | 52 | | 30-34-21 | TB0248X | D002 | BJ | R2 | 3 | | |
| 708 | 24 | PK | D01870 | 24 | | 21-51-13 | D05552J | 5 | | R2 | 4 | | |
| 712 | 24 | PK | D01874 | 2 | | 21-25-11 | TB0248D | A020 | 2 | R2 | 4 | | |
| 713 | 24 | PK | TB0248D | C020 | 2 | 21-25-11 | TB0248Y | C010 | BJ | R2 | 3 | | |
| 714 | 22 | PA | D08032J | 53 | | 73-21-19 | D02676 | 28 | | R2 | 3 | | |
| 715 | 22 | PA | D05766J | 15 | | 24-51-52 | TB0248X | A015 | BJ | R2 | 3 | | VA002-VA300, VA701-VB050, VB201-VB250, VB281-VB320, VB371-VB400, VB421-VB440, VB451VE084 |
| 716 | 22 | PK | D05766J | 16 | | 24-51-52 | TB0248X | B015 | BJ | R2 | 3 | ZSZ-B6 | VA002-VA020 |
| 716 | 24 | PK | D05766J | 16 | | 24-51-52 | TB0248X | B015 | BJ | R2 | 3 | | VA021-VA300 |
| 716 | 22 | PA | D05766J | 16 | | 24-51-52 | TB0248X | B015 | BJ | R2 | 3 | | VA701-VB050, VB201-VB250, VB281-VB320, VB371-VB400, VB421-VB440, VB451-VE084 |
| 717 | 22 | PA | D02176 | 14 | | 21-58-15 | GDX0004 | D.. | 2 | R2 | 4 | | VA001-VA300, VA701-VA712, VA801-VA810, VB001-VB050, VB201-VB202, VB281-VB284, VB301VB302, VB371-VB373, VE001-VE002, VE024-VE068 |
| 718 | 22 | PA | D05766J | 17 | | 24-51-52 | TB0248X | C015 | BJ | R2 | 3 | | VA002-VA300, VA701-VB050, VB201-VB250, VB281-VB320, VB371-VB400, VB421-VB440, VB451VE084 |
| 719 | 22 | PK | D05766J | 18 | | 24-51-52 | TB0248X | D015 | BJ | R2 | 3 | ZSZ-B6 | VA002-VA020 |
| 719 | 24 | PK | D05766J | 18 | | 24-51-52 | TB0248X | D015 | BJ | R2 | 3 | | VA021-VA300 |
| 719 | 22 | PA | D05766J | 18 | | 24-51-52 | TB0248X | D015 | BJ | R2 | 3 | | VA701-VB050, VB201-VB250, VB281-VB320, VB371-VB400, VB421-VB440, VB451-VE084 |

286T1080-101
Wire Bundle Assembly
Figure 109 (Sheet 19)

25-71-01



BOEING
COMPONENT
MAINTENANCE MANUAL

| WIRES | | FROM EQUIPMENT | | | TO EQUIPMENT | | | WIRE INFO | | | | | |
|--------|----|----------------|---------|------|--------------|----------|---------|-----------|----|---------|----|-------|---|
| NUMBER | GA | TYP | NUMBER | TERM | TT | WDM REF | NUMBER | TERM | TT | EMC/SEP | FT | NOTES | EFFECTIVITY |
| 720 | 24 | PK | D02162 | 30 | | 73-21-15 | TE0158G | 10 | 2 | R2 | 4 | | VB281-VB300, VE041-VE063, VE066-VE082 |
| 722 | 22 | PA | D02176 | 25 | | 21-24-11 | TB0182K | B018 | BJ | R2 | 3 | | VB281-VB300, VE041-VE063, VE066-VE082 |
| 723 | 24 | PK | D02176 | 23 | | 21-24-11 | TB0182K | C018 | BJ | R2 | 3 | | VB281-VB300, VE041-VE063, VE066-VE082 |
| 724 | 24 | PK | D02176 | 22 | | 21-24-11 | TB0182K | D018 | BJ | R2 | 3 | | VB281-VB300, VE041-VE063, VE066-VE082 |
| 725 | 22 | PA | D02176 | 3 | | 21-24-11 | GDX0004 | D.. | 2 | R2 | 4 | | VB281-VB300, VE041-VE063, VE066-VE082 |
| 726 | 22 | PA | D02176 | 4 | | 21-24-11 | GDX0004 | D.. | 2 | R2 | 4 | | VB281-VB300, VE041-VE063, VE066-VE082 |
| 728 | 24 | PK | D02176 | 24 | | 21-24-11 | TB0182K | A018 | BJ | R2 | 3 | | VB281-VB300, VE041-VE063, VE066-VE082 |
| 729 | 24 | PK | D02176 | 1 | | 21-24-11 | TB0248Y | A013 | BJ | R2 | 3 | | VB281-VB300, VE041-VE063, VE066-VE082 |
| 740 | 24 | PK | D05644J | 25 | | 36-11-52 | SM00001 | | W | R2 | 3 | | |
| 741 | 24 | PK | D01876 | 19 | | 36-11-52 | SM00001 | | W | R2 | 3 | | |
| 742 | 22 | PA | D05644J | 34 | | 36-11-52 | SM00002 | | W | R2 | 3 | | |
| 743 | 22 | PA | D01876 | 1 | | 36-11-52 | SM00002 | | W | R2 | 3 | | |
| 744 | 22 | PA | D05766J | 3 | | 36-11-52 | SM00003 | | W | R2 | 3 | | |
| 745 | 22 | PA | D01876 | 36 | | 36-11-52 | SM00003 | | W | R2 | 3 | | |
| 746 | 22 | PA | D01876 | 31 | | 36-11-52 | SM00004 | | W | R2 | 3 | | |
| 747 | 22 | PA | D05766J | 2 | | 36-11-52 | SM00004 | | W | R2 | 3 | | |
| 748 | 22 | PA | SM00005 | | W | 36-11-62 | D01876 | | 9 | R2 | 3 | | |
| 749 | 22 | PA | SM00005 | | W | 36-11-62 | D01876 | | 29 | R2 | 3 | | |
| 750 | 22 | PA | SM00006 | | W | 36-11-62 | D01876 | | 27 | R2 | 3 | | |
| 751 | 22 | PA | SM00006 | | W | 36-11-62 | D01876 | | 6 | R2 | 3 | | |
| 752 | 24 | PK | D01876 | 25 | | 36-11-62 | D05766J | | 12 | R2 | 3 | | |
| 753 | 22 | PA | D01876 | 35 | | 36-22-11 | TB0248Y | C009 | BJ | R2 | 4 | | VA001-VA020, VA300-VA300, VA800-VA810, VE001-VE002, VB301-VB302, VB421-VB440, VB451VE003, VB021-VE023, VE041-VE043, VE061-VE069, VE083-VE084 |
| 763 | 22 | PA | D02162 | 20 | | 73-21-11 | TB0248Y | A004 | BJ | R2 | 4 | | VA021-VA299, VA720-VA799, VA811-VA999, VE003-VE050, VB203-VB250, VB285-VB300, VB303VB320, VB374-VB400, VE004-VE020, VE024-VE040, VE044-VE060, VE070-VE082 |
| 763 | 22 | PA | D02162 | 20 | | 73-21-11 | SP04014 | | W | R2 | 3 | | |

286T1080-101
Wire Bundle Assembly
Figure 109 (Sheet 20)

25-71-01

| WIRE | | FROM EQUIPMENT | | | TO EQUIPMENT | | | WIRE INFO | | | | | |
|--------|----|----------------|---------|------|--------------|----------|---------|-----------|----|---------|----|-------|---|
| NUMBER | GA | TYP | NUMBER | TERM | TT | WDM REF | NUMBER | TERM | TT | EMC/SEP | FT | NOTES | EFFECTIVITY |
| 763 | 22 | PA | D02162 | 20 | | 73-21-11 | SP04014 | | W | R2 | 4 | | VA701-VA719, VB201-VB202, VB281-VB284, VB371-VB373 |
| 764 | 24 | PV | D08032J | 48 | | 73-21-11 | TB0248Z | 5 | BJ | R2 | 3 | | VA001-VA001, VA701-VA712, VB001-VB002, VB201-VB202, VB281-VB284, VE041-VE043, VE061VE068 |
| 764Z | | | D08032J | 49 | | 73-21-11 | TB0248Z | 6 | BJ | R2 | | | |
| 765 | 24 | PK | D04809J | 15 | | 27-32-31 | TB0182D | A022 | 2 | R2 | 3 | | VA001-VA020, VA701-VA712, VA801-VA810, VB001-VB002, VB201-VB201, VB281-VB284, VB301VB302, VE001-VE002, VE021-VE023, VE041-VE043, VE061-VE068 |
| 766 | 24 | PK | D02676 | 24 | | 27-58-21 | TB0182D | C021 | 2 | R2 | 4 | | VA021-VA300, VA713-VA800, VA811-VA999, VE003-VE050, VE202-VE250, VB285-VB300, VB303VB320, VB371-VB400, VB421-VB440, VB451-VD999, VE003-VE020, VE024-VE040, VE044-VE060, VE069-VE084 |
| 766 | 24 | PK | D02676 | 24 | | 21-51-21 | TB0182D | C021 | 2 | R2 | 4 | | VA001-VA020, VA701-VA712, VA801-VA810, VB001-VB002, VB201-VB202, VB281-VB284, VB301VB302, VE001-VE002, VE021-VE023, VE041-VE043, VE061-VE068 |
| 767 | 24 | PK | TB0182D | C022 | 2 | 27-58-21 | TB0182D | C021 | 2 | R2 | 2 | | VA001-VA020, VA701-VA719, VA801-VA810, VB001-VB002, VB201-VB202, VB281-VB284, VB301VB302, VB371-VE069, VE083-VE084 |
| 768 | 24 | PK | D08032J | 40 | | 21-58-11 | TB0158G | 2 | 2 | R2 | 2 | | VA021-VA300, VA720-VA800, VA811-VA999, VB003-VB050, VB203-VB250, VB285-VB300, VB303VB320, VB374-VB400, VB421-VB440, VB451-VD999, VE004-VE020, VE024-VE040, VE044-VE060, VE070-VE082 |
| 768 | 24 | PK | D08032J | 40 | | 21-58-11 | TB0158Y | C003 | BJ | R2 | 3 | | |
| 769 | 24 | PK | D02676 | 52 | | 27-51-11 | D08032J | 36 | | R2 | 3 | | |

 286T1080-101
 Wire Bundle Assembly
 Figure 109 (Sheet 21)

25-71-01



BOEING
COMPONENT
MAINTENANCE MANUAL

| WIRE | | FROM EQUIPMENT | | | TO EQUIPMENT | | | WIRE INFO | | | | | |
|--------|----|----------------|---------|------|--------------|----------|---------|-----------|----|---------|----|-------|--|
| NUMBER | GA | TYP | NUMBER | TERM | TT | WDM REF | NUMBER | TERM | TT | EMC/SEP | FT | NOTES | EFFECTIVITY |
| 775 | 24 | PK | D01872 | 8 | | 21-58-11 | TB0158D | A027 | 2 | R2 | 3 | | VA001-VA300, VA701-VA712, VA801-VA810, VB001- VB050, VB201-VB302, VB281-VB284, VB301VB302, VB371- VB373, VE001-VE002, VE024-VE068 |
| 775 | 24 | PK | D01872 | 8 | | 21-58-11 | GDX0002 | D.. | 2 | R2 | 4 | | VA713-VA800, VA811-VA999, VB203-VB250, VB285- VB300, VB303-VB320, VB374-VB400, VB421VB440, VB451- VD999, VE003-VE020, VE069-VE084 |
| 775 | 22 | PA | D01872 | 8 | | 21-58-11 | GDX0002 | D.. | 2 | R2 | 4 | | VE021-VE023 |
| 776 | 24 | PK | D05644J | 33 | | 21-26-11 | TB0158F | A020 | 2 | R2 | 3 | | VA001-VA001, VA021-VA300, VA701-VB050, VB203- VB250, VB281-VB320, VB371-VB400, VB421VB440, VB451- VE084 |
| 776 | 24 | PK | D05644J | 33 | | 21-26-11 | TB0158F | A020 | 2 | R2 | 3 | | VA002-VA020 |
| 777 | 24 | PK | D05525J | 57 | | 21-58-11 | TB0182Y | C002 | BJ | R2 | 2 | | VA711-VA712, VB302-VB302, VB371-VB373, VE061-VE062 |
| 777 | 24 | PK | D05525J | 57 | | 21-58-11 | D05644J | 23 | BJ | R2 | 2 | | VE021-VE023 |
| 778 | 24 | PK | D05525J | 53 | | 73-21-15 | TB0248X | C012 | BJ | R2 | 5 | | VA002-VA020, VA701-VA710, VB201-VB202, VB281- VB284, VE001-VE002 |
| 778 | 24 | PK | D05525J | 53 | | 73-21-15 | TB0248X | C012 | BJ | R2 | 2 | | VA021-VA300, VA711-VA800, VA811-VA999, VB003- VB050, VB203-VB250, VB285-VB300, VB302VB320, VB371- VB400, VB421-VB440, VB451-VD999, VE003-VE084 |
| 779 | 24 | PK | D05525J | 52 | | 73-21-15 | TB0248X | D012 | BJ | R2 | 5 | | VA002-VA020, VA701-VA710, VB201-VB202, VB281- VB284, VE001-VE002 |
| 779 | 24 | PK | D05525J | 52 | | 73-21-15 | TB0248X | D012 | BJ | R2 | 2 | | VA021-VA300, VA711-VA800, VA811-VA999, VB003- VB050, VB203-VB250, VB285-VB300, VB302VB320, VB371- VB400, VB421-VB440, VB451-VD999, VE003-VE084 |
| 780 | 24 | PK | D05525J | 55 | | 73-21-15 | D02162 | 33 | | R2 | 5 | | VA002-VA020, VA701-VA710, VB201-VB202, VB281- VB284, VE001-VE002 |

286T1080-101
Wire Bundle Assembly
Figure 109 (Sheet 22)

25-71-01

| WIRE | | | FROM EQUIPMENT | | | TO EQUIPMENT | | | WIRE INFO | | | | |
|--------|----|-----|----------------|------|----|--------------|---------|------|-----------|---------|----|-------|--|
| NUMBER | GA | TYP | NUMBER | TERM | TT | WDM REF | NUMBER | TERM | TT | EMC/SEP | FT | NOTES | EFFECTIVITY |
| 780 | 24 | PK | D05552J | 55 | | 73-21-15 | D02162 | 33 | | R2 | 3 | | VA021-VA300, VA711-VA800, VA811-VA999, VB003-VB050, VB203-VB250, VB285-VB300, VB302VB320, VB371-VB400, VB421-VB440, VB451-VD999, VE003-VE084 |
| 781 | 24 | PK | D02676 | 14 | | 31-31-21 | D04809J | 17 | | R2 | 3 | | VB371-VB400, VE041-VE060 |
| 782 | 24 | PK | D02676 | 16 | | 31-31-21 | D04809J | 18 | | R2 | 3 | | VB371-VB400, VE041-VE060 |

 286T1080-101
 Wire Bundle Assembly
 Figure 109 (Sheet 23)

25-71-01

 TESTING & FAULT ISOLATION
 01 Page 130L
 Nov 01/02



BOEING
COMPONENT
MAINTENANCE MANUAL

| WIRE | | | FROM EQUIPMENT | | | | TO EQUIPMENT | | | | WIRE INFO | | | |
|--------|----|-----|----------------|------|----|----------|--------------|------|----|---------|-----------|--------|--|--|
| NUMBER | GA | TYP | NUMBER | TERM | TT | WDM REF | NUMBER | TERM | TT | EMC/SEP | FT | NOTES | EFFECTIVITY | |
| FRA | | | D08032J | | | 73-21-11 | D08032J | 43 | | R2 | | | VB331-VB370, VB441-VB450 | |
| FRA | | | D08032J | | | 73-21-11 | D08032J | 43 | | R2 | | | VF171-VF180, VF251-VF260 | |
| PB1 | | | D01874 | 26 | | 99-99-99 | D01874 | 34 | | R2 | | DAW-B2 | | |
| PB1 | | | D01868 | 25 | | 99-99-99 | D01868 | 35 | | R2 | | DAW-B2 | | |
| PC1 | | | D01870 | 22 | | 99-99-99 | D01870 | 38 | | R2 | | DAW-B2 | | |
| PD1 | | | D01872 | 24 | | 99-99-99 | D01872 | 36 | | R2 | | DAW-B2 | | |
| PE1 | | | D02176 | 26 | | 21-58-15 | D02176 | 34 | | R2 | | DAW-B2 | | |
| PF1 | | | D01876 | 23 | | 36-11-52 | D01876 | 37 | | R2 | | DAW-B2 | VA301-VA700, VB051-VB200, VB251-VB280, VB321-VB330, VB401-VB410, VE101-VE120 | |
| PF1 | | | D01876 | 41 | | 36-11-52 | D01876 | 63 | | R2 | | DAW-B2 | VB331-VB332, VE121-VE126, VE141-VE151, VF001-VF002, VF021-VF042, VF051-VF051 | |
| PF1 | | | D01876 | 9 | | 36-11-52 | D01876 | 51 | | R2 | | DAW-B2 | VB333-VB370, VB441-VB450, VE127-VE140, VE152-VE170, VF003-VF010, VF043-VF050, VF052VF060, VF171-VF180, VF251-VF260 | |
| PH1 | | | D02676 | 47 | | 27-58-21 | D02676 | 66 | | R2 | | DAW-B2 | | |
| 1 | 24 | PK | TB0158Y | C008 | BJ | 21-51-21 | D05552J | 18 | | R2 | 4 | | VA301-VA700, VB051-VB200, VB251-VB280, VB321-VB370, VB401-VB410, VB441-VB450, VE101VE170, VF001-VF010, VF021-VF060 | |
| 1 | 24 | PK | TB0158Y | C008 | BJ | 21-51-21 | D05552J | 18 | | R2 | 4 | | VF171-VF180 | |
| 1 | 24 | PK | TB0158Y | C008 | BJ | 21-51-21 | D05552J | 18 | | R2 | 2 | | VF251-VF260 | |
| 2 | 22 | PA | D01868 | 21 | | 21-51-21 | GDX0002 | D.. | 2 | R2 | 4 | | VA301-VA700, VB051-VB200, VB251-VB280, VB321-VB370, VB401-VB410, VB441-VB450, VE101VE170, VF001-VF010, VF021-VF060, VF171-VF180 | |
| 2 | 22 | PA | D01868 | 21 | | 21-51-21 | GDX0002 | D.. | 2 | R2 | 3 | | VF251-VF260 | |
| 3 | 24 | PK | D01868 | 13 | | 21-51-21 | TB0248Y | C004 | BJ | R2 | 4 | | VA301-VA530, VA700-VA700, VB051-VB200, VB251-VB280, VB321-VB330, VB401-VB401, VE101VE104, VE116-VE117, VE121-VE126, VE141-VE146, VF001-VF002, VF041-VF042, VF051-VF051 | |

286T1080-102
Wire Bundle Assembly
Figure 110 (Sheet 1)

25-71-01

| WIRE | | | FROM EQUIPMENT | | | TO EQUIPMENT | | | WIRE INFO | | | | |
|--------|----|-----|----------------|------|----|--------------|---------|------|-----------|---------|----|-------|---|
| NUMBER | GA | TYP | NUMBER | TERM | TT | WDM REF | NUMBER | TERM | TT | EMC/SEP | FT | NOTES | EFFECTIVITY |
| 4 | 24 | PK | D01868 | 14 | | 21-51-21 | D05552J | 6 | | R2 | 4 | | VA301-VA700, VB051-VB200, VB251-VB280, VB321-VB370, VB401-VB410, VB441-VB450, VE101VE170, VF001-VF010, VF021-VF060, VF171-VF180 |
| 4 | 24 | PK | D01868 | 14 | | 21-51-21 | D05552J | 6 | | R2 | 2 | | VF251-VF260 |
| 5 | 24 | PK | D01868 | 8 | | 21-51-21 | D05552J | 7 | | R2 | 4 | | VA301-VA700, VB051-VB200, VB251-VB280, VB321-VB370, VB401-VB410, VB441-VB450, VE101VE170, VF001-VF010, VF021-VF060, VF171-VF180 |
| 5 | 24 | PK | D01868 | 8 | | 21-51-21 | D05552J | 7 | | R2 | 2 | | VF251-VF260 |
| 6 | 24 | PK | D01868 | 7 | | 21-51-21 | D05552J | 8 | | R2 | 4 | | VA301-VA700, VB051-VB200, VB251-VB280, VB321-VB370, VB401-VB410, VB441-VB450, VE101VE170, VF001-VF010, VF021-VF060, VF171-VF180 |
| 6 | 24 | PK | D01868 | 7 | | 21-51-21 | D05552J | 8 | | R2 | 2 | | VF251-VF260 |
| 7 | 24 | PK | D01868 | 36 | | 21-51-21 | TB0158G | 4 | 2 | R2 | 4 | | VA301-VA315, VA501-VA530, VB051-VB055, VB101-VB125, VB251-VB253, VB321-VB330, VB401VB401, VE101-VE104, VE116-VE117, VE121-VE126, VE141-VE146, VF001-VF002, VF041-VF042, VF051-VF051 |
| 7 | 24 | PK | D01868 | 36 | | 21-51-21 | TB0158Y | C004 | BJ | R2 | 4 | | VA316-VA500, VA531-VA700, VB056-VB100, VB126-VB200, VB254-VB280, VB331-VB370, VB402VB410, VB441-VB450, VE105-VE115, VE118-VE120, VE127-VE140, VE147-VE170, VF003-VF010, VF021-VF040, VF043-VF050, VF052-VF060, VF171-VF180, |
| 7 | 24 | PK | D01868 | 36 | | 21-51-21 | TB0158Y | C004 | BJ | R2 | 3 | | VF251-VF260 |

286T1080-102
Wire Bundle Assembly
Figure 110 (Sheet 2)

25-71-01



BOEING
COMPONENT
MAINTENANCE MANUAL

| WIRE | | FROM EQUIPMENT | | | TO EQUIPMENT | | | WIRE INFO | | | | | |
|--------|----|----------------|---------|------|--------------|----------|---------|-----------|----|---------|----|----------------------------|---|
| NUMBER | GA | TYP | NUMBER | TERM | TT | WDM REF | NUMBER | TERM | TT | EMC/SEP | FT | NOTES | EFFECTIVITY |
| 8 | 24 | PK | D01868 | 15 | | 21-51-11 | TB0158G | 3 | 2 | R2 | 4 | | VA301-VA315, VA501-VA530, VB051-VB055, VB101-VB125, VB251-VB253, VB331-VB330, VB401VB401, VE101-VE104, VE116-VE117, VE121-VE126, VE141-VE146, VF001-VF002, VF041-VF042, VF051-VF051 |
| 8 | 24 | PK | D01868 | 15 | | 21-51-11 | TB0158Y | A004 | BJ | R2 | 4 | | VA316-VA500, VA531-VA700, VB056-VB100, VB126-VB200, VB254-VB280, VB331-VB370, VB402VB410, VB441-VB450, VE105-VE115, VE118-VE120, VE127-VE140, VE147-VE170, VF003-VF010, VF021-VF040, VF043-VF050, VF052-VF060, VF171-VF180, |
| 8 | 24 | PK | D01868 | 15 | | 21-51-11 | TB0158Y | A004 | BJ | R2 | 3 | | VF251-VF260 |
| 9 | 24 | PK | D01868 | 17 | | 21-51-21 | D08032J | 38 | | R2 | 4 | | VA301-VA700, VB051-VB200, VB251-VB280, VB321-VB370, VB401-VB410, VB441-VB450, VE101VE170, VF001-VF010, VF021-VF060, VF171-VF180 |
| 9 | 24 | PK | D01868 | 17 | | 21-51-21 | D08032J | 38 | | R2 | 2 | | VF251-VF260 |
| 01A | 24 | PK | TB0158F | A017 | 2 | 21-26-11 | D05644J | 27 | | R2 | 4 | MNU-F2 MLA-T2 | VA501-VA530, VB321-VB330, VE101-VE104 |
| 01A | 24 | PK | TB0158F | A017 | 2 | 21-26-11 | D05644J | 27 | | R2 | 4 | MNU-F2 MLA-T2 ZSZ-B6 | VB051-VB055, VF041-VF042, VF051-VF051 |
| 01A | 22 | PA | D08068J | 53 | | 21-58-19 | TB0158F | A17 | 2 | R2 | 5 | ZSZ-B6 | VB101-VB101 |
| 01A | 24 | PK | TB0158F | A017 | 2 | 21-26-11 | D05644J | 27 | | R2 | 4 | | VB331-VB370, VB441-VB450, VE118-VE120, VE150-VE170 |
| 01A | 24 | PK | TB0158F | A017 | 2 | 21-26-11 | D05644J | 27 | | R2 | 4 | | VF171-VF180 |
| 01A | 24 | PK | TB0158F | A017 | 2 | 21-26-11 | D05644J | 27 | | R2 | 2 | | VF251-VF260 |
| 10 | 24 | PK | TB0248X | B001 | BJ | 31-51-41 | D04809J | 12 | | R2 | 3 | | VA301-VA700, VB051-VB200, VB251-VB280, VB321-VB370, VB401-VB410, VB441-VB450, VE101VE170, VF001-VF010, VF021-VF060 |

286T1080-102
Wire Bundle Assembly
Figure 110 (Sheet 3)

25-71-01

TESTING & FAULT ISOLATION
01

Page 1300
Nov 01/02

| WIRE | | | FROM EQUIPMENT | | | | TO EQUIPMENT | | | | WIRE INFO | | | |
|--------|----|-----|----------------|------|----|----------|--------------|------|----|-------------|-----------|--------|--|--|
| NUMBER | GA | TYP | NUMBER | TERM | TT | WDM REF | NUMBER | TERM | TT | EMC/ SEP | FT | NOTES | EFFECTIVITY | |
| 10 | 24 | PK | TB0248X | B001 | BJ | 31-51-41 | D04809J | 12 | | R2 | 3 | | VF171-VF180 | |
| 10 | 24 | PK | TB0248X | B001 | BJ | 31-51-41 | D04809J | 12 | | R2 | 2 | | VF251-VF260 | |
| 11 | 22 | PA | D01876 | 21 | | 36-11-52 | D05766J | 13 | | R2 | 3 | | VA301-VA700, VB051-VB200, VB251-VB280, VB321- VB330, VB401-VB410, VE101-VE120 | |
| 11 | 22 | PA | D01876 | 39 | | 36-11-52 | D05766J | 13 | | R2 | 3 | | VB331-VB370, VB441-VB450, VE121-VE170, VF001- VF010, VF021-VF060, VF171-VF180 | |
| 11 | 22 | PA | D01876 | 39 | | 36-11-52 | D05766J | 13 | | R2 | 2 | | VF251-VF260 | |
| 12 | 24 | PK | D01868 | 19 | | 21-51-21 | TB0158Y | C008 | BJ | R2 | 4 | | VA301-VA700, VB051-VB200, VB251-VB280, VB321- VB370, VB401-VB410, VB441-VB450, VE101VE170, VF001- VF010, VF021-VF060, VF171-VF180 | |
| 12 | 24 | PK | D01868 | 19 | | 21-51-21 | TB0158Y | C008 | BJ | R2 | 3 | | VF251-VF260 | |
| 14 | 24 | PK | D01868 | 4 | | 21-51-21 | TB0158Y | A008 | BJ | R2 | 4 | | VA301-VA700, VB051-VB200, VB251-VB280, VB321- VB370, VB401-VB410, VB441-VB450, VE101VE170, VF001- VF010, VF021-VF060, VF171-VF180 | |
| 14 | 24 | PK | D01868 | 4 | | 21-51-21 | TB0158Y | A008 | BJ | R2 | 3 | | VF251-VF260 | |
| 15 | 24 | PK | D01868 | 5 | | 21-51-21 | TB0158Y | C007 | BJ | R2 | 4 | | VA301-VA700, VB051-VB200, VB251-VB280, VB321- VB370, VB401-VB410, VB441-VB450, VE101VE170, VF001- VF010, VF021-VF060, VF171-VF180 | |
| 15 | 24 | PK | D01868 | 5 | | 21-51-21 | TB0158Y | A008 | BJ | R2 | 3 | | VF251-VF260 | |
| 16 | 24 | PK | D01868 | 22 | | 21-51-21 | D05552J | 21 | | R2 | 4 | | VA301-VA700, VB051-VB100, VB102-VB200, VB251- VB280, VB321-VB370, VB401-VB410, VB441VB450, VE101- VE170, VF001-VF010, VF021-VF060, VF171-VF180 | |
| 16 | 22 | PA | D01868 | 22 | | 21-51-24 | D05552J | 21 | | R2 | 4 | ZSZ-B6 | VB101-VB101 | |
| 16 | 24 | PK | D01868 | 22 | | 21-51-21 | D05552J | 21 | | R2 | 2 | | VF251-VF260 | |

286T1080-102
Wire Bundle Assembly
Figure 110 (Sheet 4)

25-71-01



BOEING
COMPONENT
MAINTENANCE MANUAL

| WIRE | | | FROM EQUIPMENT | | | TO EQUIPMENT | | | WIRE INFO | | | | |
|--------|----|-----|----------------|------|----|--------------|---------|------|-----------|---------|----|--------|--|
| NUMBER | GA | TYP | NUMBER | TERM | TT | WDM REF | NUMBER | TERM | TT | EMC/SEP | FT | NOTES | EFFECTIVITY |
| 17 | 24 | PK | D01868 | 1 | | 21-51-21 | D05552J | 22 | | R2 | 4 | | VA301-VA700,VB051-VB200,VB251-VB280,VB321-VB370,VB401-VB410,VB441-VB450,VE101VE170,VF001-VF010,VF021-VF060,VF171-VF180 |
| 17 | 24 | PK | D01868 | 1 | | 21-51-21 | D05552J | 22 | | R2 | 2 | | VF251-VF260 |
| 18 | 24 | PK | D01868 | 27 | | 21-51-21 | TB0182D | A021 | 2 | R2 | 4 | | VA301-VA700,VB051-VB200,VB251-VB280,VB321-VB330,VB401-VB410,VE101-VE117,VE121VE146,VF001-VF010,VF021-VF060 |
| 18 | 24 | PK | D01868 | 27 | | 21-51-21 | D02676 | 24 | | R2 | 4 | | VB331-VB370,VB441-VB450 |
| 18 | 24 | PK | D01868 | 27 | | 21-51-21 | D02676 | 24 | | R2 | 2 | | VE118-VE120 |
| 18 | 24 | PK | D01868 | 27 | | 21-51-21 | D02676 | 24 | | R2 | 3 | | VE147-VE170,VF171-VF180 |
| 18 | 24 | PK | D01868 | 27 | | 21-51-21 | D02676 | 24 | | R2 | 1 | | VF251-VF260 |
| 19 | 24 | PK | D01868 | 6 | | 21-51-21 | D02676 | 27 | | R2 | 3 | | VA301-VA700,VB051-VB200,VB251-VB280,VB321-VB370,VB401-VB410,VB441-VB450,VE101VE170,VF001-VF010,VF021-VF060,VF171-VF180 |
| 19 | 24 | PK | D01868 | 6 | | 21-51-21 | D02676 | 27 | | R2 | 1 | | VF251-VF260 |
| 20 | 22 | PA | D01868 | 28 | | 21-51-21 | TB0182Y | C001 | BJ | R2 | 4 | | VA301-VA700,VB051-VB200,VB251-VB280,VB321-VB370,VB401-VB410,VB441-VB450,VE101VE170,VF001-VF010,VF021-VF060,VF171-VF180 |
| 20 | 22 | PA | D01868 | 28 | | 21-51-21 | TB0182Y | C001 | BJ | R2 | 3 | | VF251-VF260 |
| 21 | 24 | PK | D01868 | 31 | | 21-25-21 | D05552J | 27 | | R2 | 4 | | VA301-VA700,VB051-VB100,VB102-VB200,VB251-VB280,VB321-VB370,VB401-VB410,VB441VB450,VE101-VE170,VF001-VF010,VF021-VF060,VF171-VF180 |
| 21 | 22 | PA | D01868 | 31 | | 21-25-21 | GDX0002 | D.. | 2 | R2 | 4 | ZSZ-B6 | VB101-VB101 |
| 21 | 24 | PK | D01868 | 31 | | 21-25-21 | D05552J | 27 | | R2 | 2 | | VF251-VF260 |

286T1080-102
Wire Bundle Assembly
Figure 110 (Sheet 5)

25-71-01

| WIRE | | | FROM EQUIPMENT | | | | TO EQUIPMENT | | | | WIRE INFO | | | |
|--------|----|-----|----------------|------|----|----------|--------------|------|----|---------|-----------|-------|---|--|
| NUMBER | GA | TYP | NUMBER | TERM | TT | WDM REF | NUMBER | TERM | TT | EMC/SEP | FT | NOTES | EFFECTIVITY | |
| 22 | 24 | PK | D01868 | 9 | | 21-53-21 | D08032J | 46 | | R2 | 4 | | VA301-VA700, VB051-VB200, VB251-VB280, VB321-VB370, VB401-VB410, VB441-VB450, VE101VE170, VF001-VF010, VF021-VF060, VF171-VF180 | |
| 22 | 24 | PK | D01868 | 9 | | 21-53-21 | D08032J | 46 | | R2 | 2 | | VF251-VF260 | |
| 23 | 24 | PK | D01868 | 26 | | 21-53-22 | TB0158F | C012 | 2 | R2 | 4 | | VA301-VA700, VB051-VB200, VB251-VB280, VB321-VB370, VB401-VB410, VB441-VB450, VE101VE170, VF001-VF010, VF021-VF060, VF171-VF180 | |
| 23 | 24 | PK | D01868 | 26 | | 21-53-22 | TB0158F | C012 | 2 | R2 | 3 | | VF251-VF260 | |
| 25 | 24 | PK | D01868 | 2 | | 21-51-21 | D05552J | 4 | | R2 | 4 | | VA301-VA700, VB051-VB200, VB251-VB280, VB321-VB370, VB401-VB410, VB441-VB450, VE101VE170, VF001-VF010, VF021-VF060, VF171-VF180 | |
| 25 | 24 | PK | D01868 | 2 | | 21-51-21 | D05552J | 4 | | R2 | 2 | | VF251-VF260 | |
| 26 | 24 | PK | D01868 | 32 | | 73-21-15 | TB0158F | C015 | 2 | R2 | 4 | | VA301-VA315, VB251-VB253, VB321-VB322 | |
| 26 | 24 | PK | D01868 | 32 | | 73-21-15 | D05552J | 54 | | R2 | 3 | | VA316-VA500, VA508-VA700, VB055-VB100, VB111-VB200, VB254-VB280, VB323-VB370, VB401VB410, VB441-VB450, VE101-VE170, VF001-VF010, VF021-VF060, VF171-VF180 | |
| 26 | 24 | PK | D01868 | 32 | | 73-21-15 | D05552J | 54 | | R2 | 5 | | VA501-VA508, VB051-VB054, VB101-VB110 | |
| 26 | 24 | PK | D01868 | 32 | | 73-21-15 | D05552J | 54 | | R2 | 2 | | VF251-VF260 | |
| 27 | 24 | PK | D01868 | 18 | | 73-21-15 | TB0158F | A015 | 2 | R2 | 4 | | VA301-VA700, VB051-VB200, VB251-VB280, VB321-VB370, VB401-VB410, VB441-VB450, VE101VE170, VF001-VF010, VF021-VF060, VF171-VF180 | |
| 27 | 24 | PK | D01868 | 18 | | 73-21-15 | TB0158F | A015 | 2 | R2 | 3 | | VF251-VF260 | |

286T1080-102
Wire Bundle Assembly
Figure 110 (Sheet 6)

25-71-01



BOEING
COMPONENT
MAINTENANCE MANUAL

| WIRE | | | FROM EQUIPMENT | | | | TO EQUIPMENT | | | | WIRE INFO | | | |
|--------|----|-----|----------------|------|----|----------|--------------|------|----|-------------|-----------|----------------------------|--|--|
| NUMBER | GA | TYP | NUMBER | TERM | TT | WDM REF | NUMBER | TERM | TT | EMC/ SEP | FT | NOTES | EFFECTIVITY | |
| 28 | 22 | PA | D01868 | 10 | | 21-51-21 | TB0158G | 16 | 2 | R2 | 4 | | VA301-VA700,VB051-VB200,VB251-VB280,VB321-VB370,VB401-VB410,VB441-VB450,VE101VE170,VF001-VF010,VF021-VF060,VF171-VF180 | |
| 28 | 22 | PA | D01868 | 10 | | 21-51-21 | TB0158G | 16 | 2 | R2 | 3 | | VF251-VF260 | |
| 29 | 24 | PK | D01874 | 29 | | 21-26-11 | D05644J | 26 | | R2 | 4 | ZSZ-B6 | VA301-VA315,VB051-VB055 | |
| 29 | 24 | PK | D01874 | 29 | | 21-26-11 | TB0158F | A017 | 2 | R2 | 4 | | VA316-VA500,VA531-VA700,VB056-VB100,VB102-VB200,VB251-VB280,VB401-VB410,VE105VE117,VE121-VE149,VF001-VF010,VF021-VF040,VF043-VF050,VF052-VF060 | |
| 29 | 24 | PK | D01874 | 29 | | 21-26-11 | D05644J | 26 | | R2 | 4 | MOT-F2 MLA-T2 | VA501-VA530,VB321-VB330,VE101-VE104 | |
| 29 | 22 | PK | D01874 | 29 | | 21-58-19 | D05644J | 3 | | R2 | 4 | ZSZ-B6 | VB101-VB101 | |
| 29 | 24 | PK | D01874 | 29 | | 21-26-11 | D05644J | 26 | | R2 | 4 | | VB331-VB370,VB441-VB450,VE118-VE120,VE150-VE170,VF171-VF180 | |
| 29 | 24 | PK | D01874 | 29 | | 21-26-11 | D05644J | 26 | | R2 | 4 | MOT-F2 MLA-T2 | VF041-VF042 | |
| 29 | 24 | PK | D01874 | 29 | | 21-26-11 | D05644J | 26 | | R2 | 4 | MOT-F2 MLA-T2 ZSZ-B6 | VF051-VF051 | |
| 29 | 24 | PK | D01874 | 29 | | 21-26-11 | D05644J | 26 | | R2 | 2 | | VF251-VF260 | |
| 30 | 24 | PK | D01868 | 12 | | 21-51-21 | TB0158G | 14 | 2 | R2 | 4 | | VA301-VA315,VA501-VA530,VB051-VB055,VB101-VB125,VB251-VB253,VB321-VB330,VB401VB401,VE101-VE104,VE116-VE117,VE121-VE126,VE141-VE146,VF001-VF002,VF041-VF042,VF051-VF051 | |

286T1080-102
Wire Bundle Assembly
Figure 110 (Sheet 7)

25-71-01



COMPONENT
MAINTENANCE MANUAL

| WIRE | | | FROM EQUIPMENT | | | TO EQUIPMENT | | | WIRE INFO | | | | |
|--------|----|-----|----------------|------|----|--------------|---------|------|-----------|---------|----|-------|---|
| NUMBER | GA | TYP | NUMBER | TERM | TT | WDM REF | NUMBER | TERM | TT | EMC/SEP | FT | NOTES | EFFECTIVITY |
| 30 | 24 | PK | D01868 | 12 | | 21-51-21 | TB0158Y | C001 | BJ | R2 | 4 | | VA316-VA500, VA531-VA700, VB056-VB100, VB126-VB200, VB254-VB280, VB331-VB370, VB402VB410, VB441-VB450, VE105-VE115, VE118-VE120, VE127-VE140, VE147-VE170, VF003-VF010, VF021-VF040, VF043-VF050, VF052-VF060, VF171-VF180, |
| 30 | 24 | PK | D01868 | 12 | | 21-51-21 | TB0158Y | C001 | BJ | R2 | 3 | | VF251-VF260 |
| 31 | 24 | PK | D05552J | 31 | | 21-51-21 | TB0158Y | C008 | BJ | R2 | 3 | | VA301-VA315, VA501-VA510, VB051-VB055, VB101-VB111, VB251-VB253, VB321-VB322 |
| 32 | 22 | PA | TB0182Y | C001 | BJ | 21-51-21 | D05552J | 24 | | R2 | 3 | | VA301-VA700, VB051-VB200, VB251-VB280, VB321-VB370, VB401-VB410, VB441-VB450, VE101VE170, VF001-VF010, VF021-VF060 |
| 32 | 22 | PA | TB0182Y | C001 | BJ | 21-51-21 | D05552J | 24 | | R2 | 3 | | VF171-VF180 |
| 32 | 22 | PA | TB0182Y | C001 | BJ | 21-51-21 | D05552J | 24 | | R2 | 2 | | VF251-VF260 |
| 33 | 24 | PK | D01876 | 28 | | 36-11-41 | TB0248Y | A003 | BJ | R2 | 3 | | VA301-VA700, VB051-VB200, VB251-VB280, VB321-VB330, VB401-VB410, VE101-VE120 |
| 33 | 24 | PK | D01876 | 64 | | 36-11-41 | TB0248Y | A003 | BJ | R2 | 3 | | VB331-VB370, VB441-VB450, VE121-VE170, VF001-VF010, VF021-VF060, VF171-VF180, VF251VF260 |
| 34 | 22 | PA | TB0158G | 16 | 2 | 21-51-21 | D05552J | 23 | | R2 | 3 | | VA301-VA700, VB051-VB200, VB251-VB280, VB321-VF010, VF021-VF060 |
| 34 | 22 | PA | TB0158G | 16 | 2 | 21-51-21 | D05552J | 23 | | R2 | 3 | | VF171-VF180 |
| 34 | 22 | PA | TB0158G | 16 | 2 | 21-51-21 | D05552J | 23 | | R2 | 2 | | VF251-VF260 |
| 35 | 24 | PK | D01874 | 1 | | 21-25-21 | D05552J | 29 | | R2 | 4 | | VA301-VA700, VB051-VB100, VB102-VB200, VB251-VB280, VB321-VB370, VB401-VB410, VB441VB450, VE101-VE170, VF001-VF010, VF021-VF060, VF171-VF180 |
| 35 | 24 | PK | D01874 | 1 | | 21-25-21 | D05552J | 29 | | R2 | 2 | | VF251-VF260 |

286T1080-102
Wire Bundle Assembly
Figure 110 (Sheet 8)

25-71-01



BOEING
COMPONENT
MAINTENANCE MANUAL

| WIRE | | | FROM EQUIPMENT | | | TO EQUIPMENT | | | WIRE INFO | | | | |
|--------|----|-----|----------------|------|----|--------------|---------|------|-----------|---------|----|-------|--|
| NUMBER | GA | TYP | NUMBER | TERM | TT | WDM REF | NUMBER | TERM | TT | EMC/SEP | FT | NOTES | EFFECTIVITY |
| 36 | 22 | PA | D01874 | 3 | | 21-25-21 | GDX0002 | D.. | 2 | R2 | 4 | | VA301-VA700,VB051-VB100,VB102-VB200,VB251-VB280,VB321-VB370,VB401-VB410,VB441VB450,VE101-VE170,VF001-VF010,VF021-VF060,VF171-VF180 |
| 36 | 22 | PA | D01874 | 3 | | 21-25-21 | GDX0002 | D.. | 2 | R2 | 3 | | VF251-VF260 |
| 37 | 24 | PK | D01874 | 24 | | 21-25-21 | D05552J | 26 | | R2 | 4 | | VA301-VA700,VB051-VB100,VB102-VB200,VB251-VB280,VB321-VB370,VB401-VB410,VB441VB450,VE101-VE170,VF001-VF010,VF021-VF060,VF171-VF180 |
| 37 | 24 | PK | D01874 | 24 | | 21-25-21 | D05552J | 26 | | R2 | 2 | | VF251-VF260 |
| 38 | 22 | PA | D01874 | 4 | | 21-25-21 | GDX0004 | D.. | 2 | R2 | 4 | | VA301-VA700,VB051-VB100,VE102-VB200,VB251-VB280,VB321-VB370,VB401-VB410,VB441VB450,VE101-VE170,VF001-VF010,VF021-VF060,VF171-VF180 |
| 38 | 22 | PA | D01874 | 4 | | 21-25-21 | GDX0004 | D.. | 2 | R2 | 3 | | VF251-VF260 |
| 39 | 24 | PK | D01874 | 22 | | 21-25-21 | D05552J | 28 | | R2 | 4 | | VA301-VA700,VB051-VB100,VB102-VB200,VB251-VB280,VB321-VB370,VB401-VB410,VB441VB450,VE101-VE170,VF001-VF010,VF021-VF060,VF171-VF180 |
| 39 | 24 | PK | D01874 | 22 | | 21-25-21 | D05552J | 28 | | R2 | 2 | | VF251-VF260 |
| 40 | 24 | PK | D01874 | 23 | | 21-25-21 | D05552J | 30 | | R2 | 4 | | VA301-VA700,VB051-VB100,VB102-VB200,VB251-VB280,VB321-VB370,VB401-VB410,VB441VB450,VE101-VE170,VF001-VF010,VF021-VF060,VF171-VF180 |
| 40 | 24 | PK | D01874 | 23 | | 21-25-21 | D05552J | 30 | | R2 | 2 | | VF251-VF260 |
| 41 | 24 | PK | D02176 | 13 | | 21-58-15 | TB0182X | C016 | BJ | R2 | 3 | | VA301-VA315,VA501-VA519,VB051-VB055,VB102-VB123,VB251-VB253,VB321-VB324,VB401VB401,VE101-VE103,VE116-VE117 |

286T1080-102
Wire Bundle Assembly
Figure 110 (Sheet 9)

25-71-01

| WIRE | | | FROM EQUIPMENT | | | TO EQUIPMENT | | | WIRE INFO | | | | |
|--------|----|-----|----------------|------|----|--------------|---------|------|-----------|-------------|----|------------------|--|
| NUMBER | GA | TYP | NUMBER | TERM | TT | WDM REF | NUMBER | TERM | TT | EMC/ SEP | FT | NOTES | EFFECTIVITY |
| 41 | 24 | PK | D02176 | 13 | | 21-58-15 | D05644J | 8 | | R2 | 3 | | VA316-VA500, VA520-VA700, VB056-VB100, VB124-VB200, VB254-VB280, VB325-VB370, VB402VB410, VB441-VB450, VE104-VE115, VE118-VE170, VF001-VF010, VF021-VF060, VF171-VF180 |
| 41 | 22 | PK | D05552J | 20 | | 21-58-15 | D01874 | 13 | | R2 | 3 | ZSZ-B6 | VB101-VB101 |
| 41 | 24 | PK | D02176 | 13 | | 21-58-15 | D05644J | 8 | | R2 | 1 | | VF251-VF260 |
| 42 | 22 | PA | D02176 | 15 | | 21-58-15 | GDX0004 | D.. | 2 | R2 | 4 | | VA301-VA700, VB051-VB100, VB102-VB200, VB251-VB280, VB321-VB370, VB401-VB410, VB441VB450, VE101-VE170, VF001-VF010, VF021-VF060, VF171-VF180 |
| 42 | 22 | PA | GDX0004 | D.. | 2 | 21-58-15 | D01874 | 15 | | R2 | 4 | DAW-B2 ZSZ-B6 | VB101-VB101 |
| 42 | 22 | PA | D02176 | 15 | | 21-58-15 | GDX0004 | D.. | 2 | R2 | 2 | | VF251-VF260 |
| 43 | 22 | PA | D02176 | 12 | | 21-58-15 | GDX0004 | D.. | 2 | R2 | 4 | | VA301-VA315, VA501-VA519, VB051-VB055, VB102-VB123, VB251-VB253, VB321-VB324, VB401VB401, VE101-VE103, VE116-VE117 |
| 43 | 22 | PA | D02176 | 12 | | 21-58-15 | TB0182X | C016 | BJ | R2 | 4 | | VA316-VA500, VA520-VA700, VB056-VB100, VB124-VB200, VB254-VB280, VB325-VB370, VB402VB410, VB441-VB450, VE104-VE115, VE118-VE170, VF001-VF010, VF021-VF060, VF171-VF180 |
| 43 | 22 | PA | TB0182X | C016 | BJ | 21-58-15 | D01874 | 12 | | R2 | 4 | ZSZ-B6 | VB101-VB101 |
| 43 | 22 | PA | D02176 | 12 | | 21-58-15 | TB0182X | C016 | BJ | R2 | 2 | | VF251-VF260 |
| 44 | 24 | PK | D02176 | 33 | | 21-58-15 | D05644J | 4 | | R2 | 3 | | VA301-VA700, VB051-VB100, VB102-VB200, VB251-VB280, VB321-VB370, VB401-VB410, VB441VB450, VE101-VE170, VF001-VF010, VF021-VF060, VF171-VF180 |
| 44 | 22 | PK | D01874 | 33 | | 21-58-15 | D05552J | 32 | | R2 | 3 | ZSZ-B6 | VB101-VB101 |
| 44 | 24 | PK | D02176 | 33 | | 21-58-15 | D05644J | 4 | | R2 | 1 | | VF251-VF260 |

286T1080-102
Wire Bundle Assembly
Figure 110 (Sheet 10)

25-71-01



BOEING
COMPONENT
MAINTENANCE MANUAL

| WIRE | | | FROM EQUIPMENT | | | TO EQUIPMENT | | | WIRE INFO | | | | |
|--------|----|-----|----------------|------|----|--------------|---------|------|-----------|---------|----|--------|--|
| NUMBER | GA | TYP | NUMBER | TERM | TT | WDM REF | NUMBER | TERM | TT | EMC/SEP | FT | NOTES | EFFECTIVITY |
| 45 | 24 | PK | D02176 | 11 | | 21-58-15 | D05644J | 7 | | R2 | 3 | | VA301-VA700,VB051-VB100,VB102-VB200,VB251-VB280,VB321-VB370,VB401-VB410,VB441VB450,VE101-VE170,VF001-VF010,VF021-VF060,VF171-VF180 |
| 45 | 22 | PK | D05552J | 16 | | 21-58-15 | D01874 | 11 | | R2 | 3 | ZSZ-B6 | VB101-VB101 |
| 45 | 24 | PK | D02176 | 11 | | 21-58-15 | D05644J | 7 | | R2 | 1 | | VF251-VF260 |
| 46 | 24 | PK | D02176 | 32 | | 21-58-15 | D05644J | 1 | | R2 | 3 | | VA301-VA700,VB051-VB100,VB102-VB200,VB251-VB280,VB321-VB370,VB401-VB410,VB441VB450,VE101-VE170,VF001-VF010,VF021-VF060,VF171-VF180 |
| 46 | 22 | PK | D01874 | 32 | | 21-58-15 | D05552J | 15 | | R2 | 3 | ZSZ-B6 | VB101-VB101 |
| 46 | 24 | PK | D02176 | 32 | | 21-58-15 | D05644J | 1 | | R2 | 1 | | VF251-VF260 |
| 47 | 22 | PA | D05644J | 14 | | 36-11-52 | TB0248X | B012 | BJ | R2 | 3 | | VA301-VA700,VB051-VB200,VB251-VB280,VB321-VB370,VB401-VB410,VB441-VB450,VE101VE170,VF001-VF010,VF021-VF060 |
| 47 | 22 | PA | D05644J | 14 | | 36-11-52 | TB0248X | B012 | BJ | R2 | 3 | | VF171-VF180 |
| 47 | 22 | PA | D05644J | 14 | | 36-11-52 | TB0248X | B012 | BJ | R2 | 2 | | VF251-VF260 |
| 48 | 24 | PK | D02176 | 37 | | 21-58-15 | TB0248X | A012 | BJ | R2 | 3 | | VA301-VA700,VB051-VB100,VB102-VB200,VB251-VB280,VB321-VB370,VB401-VB410,VB441VB450,VE101-VE170,VF001-VF010,VF021-VF050,VF171-VF180 |
| 48 | 24 | PK | D01874 | 37 | | 21-58-15 | TB0248X | A012 | BJ | R2 | 3 | ZSZ-B6 | VB101-VB101 |
| 48 | 24 | PK | D02176 | 37 | | 21-58-15 | TB0248X | A009 | BJ | R2 | 3 | | VF051-VF060 |
| 48 | 24 | PK | D02176 | 37 | | 21-58-15 | TB0248X | A012 | BJ | R2 | 2 | | VF251-VF260 |
| 49 | 24 | PK | D02176 | 30 | | 21-58-15 | D05644J | 6 | | R2 | 3 | | VA301-VA315,VA501-VA519,VB051-VB055,VB102-VB123,VB251-VB253,VB321-VB324,VB401VB401,VE101-VE103,VE116-VE117 |

286T1080-102
Wire Bundle Assembly
Figure 110 (Sheet 11)

25-71-01

TESTING & FAULT ISOLATION
01
Page 130W
Nov 01/02



COMPONENT
MAINTENANCE MANUAL

| WIRE | | | FROM EQUIPMENT | | | TO EQUIPMENT | | | WIRE INFO | | | | |
|--------|----|-----|----------------|------|----|--------------|---------|------|-----------|---------|----|--------|--|
| NUMBER | GA | TYP | NUMBER | TERM | TT | WDM REF | NUMBER | TERM | TT | EMC/SEP | FT | NOTES | EFFECTIVITY |
| 50 | 24 | PK | D01874 | 7 | | 21-26-11 | D05644J | 21 | | R2 | 3 | | VA301-VA700, VB051-VB100, VB102-VB200, VB251-VB280, VB321-VB370, VB401-VB410, VB441VB450, VE101-VE170, VF001-VF010, VF021-VF060, VF171-VF180 |
| 50 | 24 | PK | D01874 | 7 | | 21-58-19 | D05644J | 21 | | R2 | 3 | ZSZ-B6 | VB101-VB101 |
| 50 | 24 | PK | D01874 | 7 | | 21-26-11 | D05644J | 21 | | R2 | 2 | | VF251-VF260 |
| 51 | 22 | PA | D01874 | 9 | | 21-26-11 | GDX0002 | D.. | 2 | R2 | 4 | | VA301-VA700, VB051-VB100, VB102-VB200, VB251-VB280, VB321-VB370, VB401-VB410, VB441VB450, VE101-VE170, VF001-VF010, VF021-VF060, VF171-VF180 |
| 51 | 22 | PA | D01874 | 9 | | 21-58-19 | GDX0002 | D.. | 2 | R2 | 4 | ZSZ-B6 | VB101-VB101 |
| 51 | 22 | PA | D01874 | 9 | | 21-26-11 | GDX0002 | D.. | 2 | R2 | 3 | | VF251-VF260 |
| 52 | 24 | PK | D01874 | 28 | | 21-26-11 | D05644J | 22 | | R2 | 3 | | VA301-VA700, VB051-VB100, VB102-VB200, VB251-VB280, VB321-VB370, VB401-VB410, VB441VB450, VE101-VE170, VF001-VF010, VF021-VF060, VF171-VF180 |
| 52 | 24 | PK | D01874 | 28 | | 21-58-19 | D05644J | 22 | | R2 | 3 | ZSZ-B6 | VB101-VB101 |
| 52 | 24 | PK | D01874 | 28 | | 21-26-11 | D05644J | 22 | | R2 | 2 | | VF251-VF260 |
| 53 | 24 | PK | D01874 | 8 | | 21-26-11 | D05644J | 18 | | R2 | 3 | | VA301-VA700, VB051-VB100, VB102-VB200, VB251-VB280, VB321-VB370, VB401-VB410, VB441VB450, VE101-VE170, VF001-VF010, VF021-VF060, VF171-VF180 |
| 53 | 24 | PK | D01874 | 8 | | 21-58-19 | D05644J | 18 | | R2 | 3 | ZSZ-B6 | VB101-VB101 |
| 53 | 24 | PK | D01874 | 8 | | 21-26-11 | D05644J | 18 | | R2 | 2 | | VF251-VF260 |
| 54 | 24 | PK | D01874 | 6 | | 21-26-11 | D05644J | 20 | | R2 | 3 | | VA301-VA700, VB051-VB100, VB102-VB200, VB251-VB280, VB321-VB370, VB401-VB410, VB441VB450, VE101-VE170, VF001-VF010, VF021-VF060, VF171-VF180 |
| 54 | 24 | PK | D01874 | 6 | | 21-58-19 | D05644J | 20 | | R2 | 3 | ZSZ-B6 | VB101-VB101 |
| 54 | 24 | PK | D01874 | 6 | | 21-26-11 | D05644J | 20 | | R2 | 2 | | VF251-VF260 |

286T1080-102
Wire Bundle Assembly
Figure 110 (Sheet 12)

25-71-01



BOEING
COMPONENT
MAINTENANCE MANUAL

| WIRE | | | FROM EQUIPMENT | | | TO EQUIPMENT | | | WIRE INFO | | | | |
|--------|----|-----|----------------|------|----|--------------|---------|------|-----------|---------|----|--------|--|
| NUMBER | GA | TYP | NUMBER | TERM | TT | WDM REF | NUMBER | TERM | TT | EMC/SEP | FT | NOTES | EFFECTIVITY |
| 55 | 24 | PK | D01874 | 27 | | 21-26-11 | D05644J | 17 | | R2 | 3 | | VA301-VA700,VB051-VB100,VB102-VB200,VB251-VB280,VB321-VB370,VB401-VB410,VB441VB450,VE101-VE170,VF001-VF010,VF021-VF060,VF171-VF180 |
| 55 | 24 | PK | D01874 | 27 | | 21-58-19 | D05644J | 17 | | R2 | 3 | ZSZ-B6 | VB101-VB101 |
| 55 | 24 | PK | D01874 | 27 | | 21-26-11 | D05644J | 17 | | R2 | 2 | | VF251-VF260 |
| 56 | 24 | PK | D01874 | 36 | | 21-26-11 | D05644J | 32 | | R2 | 8 | ZSZ-B6 | VA301-VA310 |
| 56 | 24 | PK | D01874 | 36 | | 21-26-11 | D05644J | 32 | | R2 | 3 | | VA311-VA500,VA507-VA700,VB051-VB100,VB105-VB200,VB254-VB280,VB321-VB370,VB401VB410,VB441-VB450,VE101-VE170,VF001-VF010,VF021-VF060,VF171-VF180 |
| 56 | 24 | PK | D01874 | 36 | | 21-26-11 | D05644J | 32 | | R2 | 4 | | VA501-VA506 |
| 56 | 22 | PK | D01874 | 36 | | 21-58-19 | D05644J | 2 | | R2 | 4 | ZSZ-B6 | VB101-VB101 |
| 56 | 24 | PK | D01874 | 36 | | 21-26-11 | TB0158F | A020 | 2 | R2 | 4 | | VB102-VB104 |
| 56 | 24 | PK | D01874 | 36 | | 21-26-11 | D05644J | 32 | | R2 | 4 | ZSZ-B6 | VB251-VB253 |
| 56 | 24 | PK | D01874 | 36 | | 21-26-11 | D05644J | 32 | | R2 | 2 | | VF251-VF260 |
| 57 | 24 | PK | D01874 | 13 | | 21-58-14 | TB0182X | C013 | BJ | R2 | 4 | | VA301-VA315,VA501-VA519,VB051-VB055,VB102-VB123,VB251-VB253,VB321-VB324,VB401VB401,VE101-VE103,VE116-VE117 |
| 58 | 22 | PA | D01874 | 15 | | 21-58-14 | GDX0002 | D.. | 2 | R2 | 4 | | VA301-VA315,VA501-VA519,VB051-VB055,VB102-VB123,VB251-VB253,VB321-VB324,VB401VB401,VE101-VE103,VE116-VE117 |
| 59 | 24 | PK | D01874 | 12 | | 21-58-14 | D05644J | 13 | | R2 | 3 | | VA301-VA315,VA501-VA519,VB051-VB055,VB102-VB123,VB251-VB253,VB321-VB324,VB401VB401,VE101-VE103,VE116-VE117 |
| 60 | 24 | PK | D01874 | 33 | | 21-58-14 | D05644J | 10 | | R2 | 3 | | VA301-VA315,VA501-VA519,VB051-VB055,VB102-VB123,VB251-VB253,VB321-VB324,VB401VB401,VE101-VE103,VE116-VE117 |

286T1080-102
Wire Bundle Assembly
Figure 110 (Sheet 13)

25-71-01

| WIRE | | FROM EQUIPMENT | | | TO EQUIPMENT | | | WIRE INFO | | | | | |
|--------|-----|----------------|---------|------|--------------|----------|---------|-----------|----|---------|----|--------|--|
| NUMBER | GA. | TYP | NUMBER | TERM | TT | WDM REF | NUMBER | TERM | TT | EMC/SEP | FT | NOTES | EFFECTIVITY |
| 61 | 24 | PK | D01874 | 11 | | 21-58-14 | D05644J | 12 | | R2 | 3 | | VA301-VA315, VA501-VA519, VB051-VB055, VB102-VB123, VB251-VB253, VB321-VB324, VB401VB401, VE101-VE103, VE116-VE117 |
| 62 | 24 | PK | D01874 | 32 | | 21-58-14 | D05644J | 9 | | R2 | 3 | | VA301-VA315, VA501-VA519, VB051-VB055, VB102-VB123, VB251-VB253, VB321-VB324, VB401VB401, VE101-VE103, VE116-VE117 |
| 63 | 24 | PK | D01874 | 14 | | 21-58-14 | TB0158F | C020 | 2 | R2 | 4 | | VA301-VA315, VA501-VA519, VB051-VB055, VB102-VB123, VB251-VB253, VB321-VB324, VB401VB401, VE101-VE103, VE116-VE117 |
| 63 | 24 | PK | D02176 | 14 | | 21-58-15 | TB0158F | C020 | 2 | R2 | 4 | | VA316-VA500, VA520-VA700, VB056-VB100, VE124-VB200, VB254-VB280, VB325-VB370, VB402VB410, VB441-VB450, VE104-VE115, VE118-VE170, VF001-VF010, VF021-VF060, VF171-VF180 |
| 63 | 24 | PK | D01874 | 14 | | 21-58-15 | TB0158F | C020 | 2 | R2 | 4 | ZSZ-B6 | VE101-VB101 |
| 63 | 24 | PK | D02176 | 14 | | 21-58-15 | TB0158F | C020 | 2 | R2 | 2 | | VF251-VF260 |
| 64 | 24 | PK | D01874 | 31 | | 21-58-14 | D05644J | 15 | | R2 | 3 | | VA301-VA315, VA501-VA519, VB051-VB055, VB102-VB123, VB251-VB253, VB321-VB324, VB401VB401, VE101-VE103, VE116-VE117 |
| 64 | 24 | PK | D0552J | 1 | | 73-21-18 | TB0182Y | C021 | BJ | R2 | 2 | | VF251-VF260 |
| 65 | 24 | PK | D0552J | 2 | | 73-21-18 | TB0182X | A012 | BJ | R2 | 2 | | VF251-VF260 |
| 66 | 24 | PK | D01874 | 35 | | 21-26-11 | TB0248X | C011 | BJ | R2 | 4 | | VA301-VA700, VB051-VB100, VB102-VB200, VB251-VB280, VB321-VB370, VB401-VB410, VB441VB450, VE101-VE170, VF001-VF010, VF021-VF060, VF171-VF180 |
| 66 | 24 | PK | D01874 | 35 | | 21-58-19 | TB0248X | C011 | BJ | R2 | 4 | ZSZ-B6 | VE101-VB101 |
| 66 | 24 | PK | D01874 | 35 | | 21-26-11 | TB0248X | C011 | BJ | R2 | 2 | | VF251-VF260 |
| 67 | 24 | PK | TB0158F | C017 | 2 | 21-58-14 | D01874 | 38 | | R2 | 4 | | VA301-VA315, VA501-VA519, VB051-VB055, VB102-VB123, VB251-VB253, VB321-VB324, VB401VB401, VE101-VE103, VE116-VE117 |

286T1080-102
Wire Bundle Assembly
Figure 110 (Sheet 14)

25-71-01



BOEING
COMPONENT
MAINTENANCE MANUAL

| WIRE | | | FROM EQUIPMENT | | | | TO EQUIPMENT | | | | WIRE INFO | | | |
|--------|----|-----|----------------|------|----|----------|--------------|------|----|---------|-----------|--------|--|--|
| NUMBER | GA | TYP | NUMBER | TERM | TT | WDM REF | NUMBER | TERM | TT | EMC/SEP | FT | NOTES | EFFECTIVITY | |
| 67 | 24 | PK | TB0158F | C017 | 2 | 21-58-15 | D02176 | 38 | | R2 | 4 | | VA316-VA500, VA520-VA700, VB056-VB100, VB124-VB200, VB254-VB280, VB325-VB370, VB402VB410, VB441-VB450, VE104-VE115, VE118-VE170, VF001-VF010, VF021-VF060, VF171-VF180 | |
| 67 | 24 | PK | TB0158F | C017 | 2 | 21-58-15 | D01874 | 38 | | R2 | 4 | ZSZ-B6 | VB101-VB101 | |
| 67 | 24 | PK | TB0158F | C017 | 2 | 21-58-15 | D02176 | 38 | | R2 | 2 | | VF251-VF260 | |
| 68 | 24 | PK | D01870 | 19 | | 21-53-12 | D05552J | 45 | | R2 | 4 | | VA301-VA700, VB051-VB200, VB251-VB280, VB321-VB370, VB401-VB410, VB441-VB450, VE101VE170, VF001-VF010, VF021-VF060, VF171-VF180 | |
| 68 | 24 | PK | D01870 | 19 | | 21-53-12 | D05552J | 45 | | R2 | 2 | | VF251-VF260 | |
| 69 | 22 | PA | D01870 | 21 | | 21-53-12 | GDX0002 | D.. | 2 | R2 | 5 | | VA301-VA700, VB051-VB200, VB251-VB280, VB321-VB370, VB401-VB410, VB441-VB450, VE101VE170, VF001-VF010, VF021-VF060, VF171-VF180 | |
| 69 | 22 | PA | D01870 | 21 | | 21-53-12 | GDX0002 | D.. | 2 | R2 | 3 | | VF251-VF260 | |
| 70 | 24 | PK | D01870 | 6 | | 21-53-12 | D05552J | 40 | | R2 | 4 | | VA301-VA700, VB051-VB100, VB102-VB200, VB251-VB280, VB321-VB370, VB401-VB410, VB441VB450, VE101-VE170, VF001-VF010, VF021-VF060, VF171-VF180 | |
| 70 | 24 | PK | D01870 | 6 | | 21-53-12 | TB0182X | A16 | BJ | R2 | 4 | ZSZ-B6 | VB101-VB101 | |
| 70 | 24 | PK | D01870 | 6 | | 21-53-12 | D05552J | 40 | | R2 | 2 | | VF251-VF260 | |
| 71 | 24 | PK | D01870 | 3 | | 21-53-12 | TB0182X | B012 | BJ | R2 | 4 | | VA301-VA700, VB051-VB200, VB251-VB280, VB321-VB370, VB401-VB410, VB441-VB450, VE101VE170, VF001-VF010, VF021-VF060, VF171-VF180 | |
| 71 | 24 | PK | D01870 | 3 | | 21-53-12 | TB0182X | B012 | BJ | R2 | 3 | | VF251-VF260 | |

286T1080-102
Wire Bundle Assembly
Figure 110 (Sheet 15)

25-71-01

| WIRE | | | FROM EQUIPMENT | | | | TO EQUIPMENT | | | | WIRE INFO | | | |
|--------|----|-----|----------------|------|----|----------|--------------|------|----|---------|-----------|--------|--|--|
| NUMBER | GA | TYP | NUMBER | TERM | TT | WDM REF | NUMBER | TERM | TT | EMC/SEP | FT | NOTES | EFFECTIVITY | |
| 72 | 24 | PK | D01870 | 37 | | 21-53-12 | D05552J | 42 | | R2 | 4 | | VA301-VA700, VB051-VB100, VB102-VB200, VB251-VB280, VB321-VB370, VB401-VB410, VB441VB450, VE101-VE170, VF001-VF010, VF021-VF060, VF171-VF180 | |
| 72 | 24 | PK | D01870 | 37 | | 21-51-14 | D05552J | 42 | | R2 | 5 | ZSZ-B6 | VB101-VB101 | |
| 72 | 24 | PK | D01870 | 37 | | 21-53-12 | D05552J | 42 | | R2 | 2 | | VF251-VF260 | |
| 73 | 24 | PK | D01870 | 36 | | 21-53-12 | D05552J | 43 | | R2 | 4 | | VA301-VA700, VB051-VB100, VB102-VB200, VB251-VB280, VB321-VB370, VB401-VB410, VB441VB450, VE101-VE170, VF001-VF010, VF021-VF060, VF171-VF180 | |
| 73 | 24 | PK | D01870 | 36 | | 21-53-12 | D05552J | 43 | | R2 | 2 | | VF251-VF260 | |
| 74 | 24 | PK | D01870 | 35 | | 21-53-12 | D05552J | 44 | | R2 | 4 | | VA301-VA700, VB051-VB100, VB102-VB200, VB251-VB280, VB321-VB370, VB401-VB410, VB441VB450, VE101-VE170, VF001-VF010, VF021-VF060, VF171-VF180 | |
| 74 | 24 | PK | D01870 | 35 | | 21-51-14 | D05552J | 44 | | R2 | 5 | ZSZ-B6 | VB101-VB101 | |
| 75 | 24 | PK | D01870 | 8 | | 21-53-12 | VB0158F | A012 | 2 | R2 | 2 | | VF251-VF260 | |
| 75 | 24 | PK | D01870 | 8 | | 21-53-12 | VB0158F | A012 | 2 | R2 | 4 | | VA301-VA700, VB051-VB200, VB251-VB280, VB321-VB370, VB401-VB410, VB441-VB450, VE101VE170, VF001-VF010, VF021-VF060, VF171-VF180 | |
| 75 | 24 | PK | D01870 | 8 | | 21-53-12 | VB0158F | A012 | 2 | R2 | 3 | | VF251-VF260 | |
| 76 | 24 | PK | D01870 | 4 | | 21-53-12 | D05552J | 50 | | R2 | 4 | | VA301-VA700, VB051-VB200, VB251-VB280, VB321-VB370, VB401-VB410, VB441-VB450, VE101VE170, VF001-VF010, VF021-VF060, VF171-VF180 | |
| 76 | 24 | PK | D01870 | 4 | | 21-53-12 | D05552J | 50 | | R2 | 2 | | VF251-VF260 | |

286T1080-102
Wire Bundle Assembly
Figure 110 (Sheet 16)

25-71-01



BOEING
COMPONENT
MAINTENANCE MANUAL

| WIRE | | | FROM EQUIPMENT | | | TO EQUIPMENT | | | WIRE INFO | | | | |
|--------|----|-----|----------------|------|----|--------------|---------|------|-----------|---------|----|-------|---|
| NUMBER | GA | TYP | NUMBER | TERM | TT | WDM REF | NUMBER | TERM | TT | EMC/SEP | FT | NOTES | EFFECTIVITY |
| 77 | 24 | PK | D01870 | 10 | | 21-53-12 | D05552J | 51 | | R2 | 4 | | VA301-VA700, VB051-VB200, VB251-VB280, VB321-VB370, VB401-VB410, VB441-VB450, VE101VE170, VF001-VF010, VF021-VF060, VF171-VF180 |
| 77 | 24 | PK | D01870 | 10 | | 21-53-12 | D05552J | 51 | | R2 | 2 | | VF251-VF260 |
| 78 | 24 | PK | D01870 | 7 | | 21-53-12 | D05552J | 48 | | R2 | 4 | | VA301-VA700, VB051-VB200, VB251-VB280, VB321-VB370, VB401-VB410, VB441-VB450, VE101VE170, VF001-VF010, VF021-VF060, VF171-VF180 |
| 78 | 24 | PK | D01870 | 7 | | 21-53-12 | D05552J | 48 | | R2 | 2 | | VF251-VF260 |
| 79 | 24 | PK | D01870 | 11 | | 21-53-12 | D05552J | 49 | | R2 | 4 | | VA301-VA700, VB051-VB200, VB251-VB280, VB321-VB370, VB401-VB410, VB441-VB450, VE101VE170, VF001-VF010, VF021-VF060, VF171-VF180 |
| 79 | 24 | PK | D01870 | 11 | | 21-53-12 | D05552J | 49 | | R2 | 2 | | VF251-VF260 |
| 80 | 24 | PK | D01870 | 12 | | 21-53-12 | D05552J | 46 | | R2 | 4 | | VA301-VA700, VB051-VB200, VB251-VB280, VB321-VB370, VB401-VB410, VB441-VB450, VE101VE170, VF001-VF010, VF021-VF060, VF171-VF180 |
| 80 | 24 | PK | D01870 | 12 | | 21-53-12 | D05552J | 46 | | R2 | 2 | | VF251-VF260 |
| 81 | 24 | PK | D01870 | 9 | | 21-53-12 | D05552J | 47 | | R2 | 4 | | VA301-VA700, VB051-VB200, VB251-VB280, VB321-VB370, VB401-VB410, VB441-VB450, VE101VE170, VF001-VF010, VF021-VF060, VF171-VF180 |
| 81 | 24 | PK | D01870 | 9 | | 21-53-12 | D05552J | 47 | | R2 | 2 | | VF251-VF260 |
| 82 | 24 | PK | D01870 | 16 | | 21-53-12 | D05552J | 34 | | R2 | 4 | | VA301-VA700, VB051-VB200, VB251-VB280, VB321-VB370, VB401-VB410, VB441-VB450, VE101VE170, VF001-VF010, VF021-VF060, VF171-VF180 |
| 82 | 24 | PK | D01870 | 16 | | 21-53-12 | D05552J | 34 | | R2 | 2 | | VF251-VF260 |

286T1080-102
Wire Bundle Assembly
Figure 110 (Sheet 17)

25-71-01

| WIRE | | | FROM EQUIPMENT | | | TO EQUIPMENT | | | WIRE INFO | | | | |
|--------|----|-----|----------------|------|----|--------------|---------|------|-----------|-------------|----|-------|--|
| NUMBER | GA | TYP | NUMBER | TERM | TT | WDM REF | NUMBER | TERM | TT | EMC/ SEP | FT | NOTES | EFFECTIVITY |
| 83 | 24 | PK | D01870 | 14 | | 21-53-12 | D05552J | 35 | | R2 | 4 | | VA301-VA700,VB051-VB200,VB251-VB280,VB321-VB370,VB401-VB410,VB441-VB450,VE10IVE170,VF001-VF010,VF021-VF060,VF171-VF180 |
| 83 | 24 | PK | D01870 | 14 | | 21-53-12 | D05552J | 35 | | R2 | 2 | | VF251-VF260 |
| 84 | 24 | PK | D01870 | 15 | | 21-53-12 | D05552J | 36 | | R2 | 4 | | VA301-VA700,VB051-VB200,VB251-VB280,VB321-VB370,VB401-VB410,VB441-VB450,VE10IVE170,VF001-VF010,VF021-VF060,VF171-VF180 |
| 84 | 24 | PK | D01870 | 15 | | 21-53-12 | D05552J | 36 | | R2 | 2 | | VF251-VF260 |
| 85 | 24 | PK | D01870 | 13 | | 21-53-12 | D05552J | 37 | | R2 | 4 | | VA301-VA700,VB051-VB200,VB251-VB280,VB321-VB370,VB401-VB410,VB441-VB450,VE10IVE170,VF001-VF010,VF021-VF060,VF171-VF180 |
| 85 | 24 | PK | D01870 | 13 | | 21-53-12 | D05552J | 37 | | R2 | 2 | | VF251-VF260 |
| 86 | 24 | PK | D01870 | 18 | | 21-53-12 | D05552J | 38 | | R2 | 4 | | VA301-VA700,VB051-VB200,VB251-VB280,VB321-VB370,VB401-VB410,VB441-VB450,VE10IVE170,VF001-VF010,VF021-VF060,VF171-VF180 |
| 86 | 24 | PK | D01870 | 18 | | 21-53-12 | D05552J | 38 | | R2 | 2 | | VF251-VF260 |
| 87 | 24 | PK | D01870 | 17 | | 21-53-12 | D05552J | 39 | | R2 | 4 | | VA301-VA700,VB051-VB200,VB251-VB280,VB321-VB370,VB401-VB410,VB441-VB450,VE10IVE170,VF001-VF010,VF021-VF060,VF171-VF180 |
| 87 | 24 | PK | D01870 | 17 | | 21-53-12 | D05552J | 39 | | R2 | 2 | | VF251-VF260 |
| 88 | 24 | PK | D01870 | 5 | | 21-53-12 | D05552J | 33 | | R2 | 4 | | VA301-VA700,VB051-VB200,VB251-VB280,VB321-VB370,VB401-VB410,VB441-VB450,VE10IVE170,VF001-VF010,VF021-VF060,VF171-VF180 |
| 88 | 24 | PK | D01870 | 5 | | 21-53-12 | D05552J | 33 | | R2 | 2 | | VF251-VF260 |

 286T1080-102
 Wire Bundle Assembly
 Figure 110 (Sheet 18)

25-71-01

 TESTING & FAULT ISOLATION
 01 Page 132B
 Nov 01/02



BOEING
COMPONENT
MAINTENANCE MANUAL

| WIRE | | | FROM EQUIPMENT | | | TO EQUIPMENT | | | WIRE INFO | | | | |
|--------|----|-----|----------------|------|----|--------------|---------|------|-----------|---------|----|-------|---|
| NUMBER | GA | TYP | NUMBER | TERM | TT | WDM REF | NUMBER | TERM | TT | EMC/SEP | FT | NOTES | EFFECTIVITY |
| 89 | 24 | PV | D01872 | 19 | | 21-58-11 | TB0158F | C011 | 2 | S2 | 3 | | VA301-VA700, VB051-VB200, VB251-VB280, VB321-VB370, VB401-VB410, VB441-VB450, VE101VE170, VF001-VF010, VF021-VF060, VF171-VF180 |
| 89 | 24 | PV | D01872 | 19 | | 21-58-11 | TB0158F | C011 | 2 | S2 | 2 | | VF251-VF260 |
| 089Z | | | D01872 | DED | | 21-58-11 | TB0158F | DED | | S2 | | | |
| 90 | 22 | PA | D01872 | 41 | | 21-58-11 | GDX0002 | D.. | 2 | R2 | 4 | | VA301-VA700, VB051-VB200, VB251-VB280, VB321-VB370, VB401-VB410, VB441-VB450, VE101VE170, VF001-VF010, VF021-VF060, VF171-VF180 |
| 90 | 22 | PA | D01872 | 41 | | 21-58-11 | GDX0002 | D.. | 2 | R2 | 2 | | VF251-VF260 |
| 91 | 24 | PK | D01872 | 3 | | 21-58-11 | TB0182Y | C002 | BJ | R2 | 3 | | VA301-VA700, VB051-VB200, VB251-VB280, VB321-VB370, VB401-VB410, VB441-VB450, VE101VE170, VF001-VF010, VF021-VF060, VF171-VF180 |
| 91 | 24 | PK | D01872 | 3 | | 21-58-11 | TB0182Y | C002 | BJ | R2 | 2 | | VF251-VF260 |
| 92 | 24 | PK | D01872 | 4 | | 21-58-11 | TB0158G | 2 | 2 | R2 | 3 | | VA301-VA315, VA501-VA530, VB051-VB055, VB101-VB125, VB251-VB253, VB321-VB330, VB401VB401, VE101-VE104, VE116-VE117, VE121-VE126, VE141-VE146, VF001-VF002, VF041-VF042, VF051-VF051 |
| 92 | 24 | PK | D01872 | 4 | | 21-58-11 | TB0158Y | C003 | BJ | R2 | 3 | | VA316-VA500, VA531-VA700, VB056-VB100, VB126-VB200, VB254-VB280, VB331-VB370, VB402VB410, VB441-VB450, VE105-VE115, VE118-VE120, VE137-VE140, VE147-VE170, VF003-VF010, VF021-VF040, VF043-VF050, VF052-VF060, VF171-VF180, |
| 92 | 24 | PK | D01872 | 4 | | 21-58-11 | TB0158Y | C003 | BJ | R2 | 2 | | VF251-VF260 |

286T1080-102
Wire Bundle Assembly
Figure 110 (Sheet 19)

25-71-01

TESTING & FAULT ISOLATION
01 Page 132C
Nov 01/02



COMPONENT
MAINTENANCE MANUAL

| WIRE | | | FROM EQUIPMENT | | | TO EQUIPMENT | | | WIRE INFO | | | | |
|--------|----|-----|----------------|------|----|--------------|---------|------|-----------|---------|----|--------|--|
| NUMBER | GA | TYP | NUMBER | TERM | TT | WDM REF | NUMBER | TERM | TT | EMC/SEP | FT | NOTES | EFFECTIVITY |
| 93 | 24 | PK | D01872 | 5 | | 21-58-11 | TB0182Y | A001 | BJ | R2 | 3 | | VA301-VA700, VB051-VB200, VB251-VB280, VB321-VB370, VB401-VB410, VB441-VB450, VE101VE170, VF001-VF010, VF021-VF060, VF171-VF180 |
| 93 | 24 | PK | D01872 | 5 | | 21-58-11 | TB0182Y | A001 | BJ | R2 | 2 | | VF251-VF260 |
| 94 | 24 | PK | D01872 | 6 | | 21-58-11 | TB0248X | A001 | BJ | R2 | 3 | | VA301-VA700, VB051-VB200, VB251-VB280, VB321-VB370, VB401-VB410, VB441-VB450, VE101VE170, VF001-VF010, VF021-VF060, VF171-VF180 |
| 94 | 24 | PK | D01872 | 6 | | 21-58-11 | TB0248X | A001 | BJ | R2 | 2 | | VF251-VF260 |
| 95 | 24 | PK | TB0158D | C027 | 2 | 21-58-11 | D05644J | 23 | | R2 | 3 | | VA301-VA315, VA501-VA519, VB051-VB055, VB102-VB123, VB251-VB253, VB321-VB324, VB401VB401, VE101-VE103, VE116-VE117 |
| 96 | 24 | PK | D01872 | 7 | | 21-58-12 | D05552J | 56 | | R2 | 3 | | VA301-VA315, VA501-VA519, VB051-VB055, VB102-VB123, VB251-VB253, VB321-VB324, VB401VB401, VE101-VE103, VE116-VE117 |
| 96 | 24 | PK | D01872 | 7 | | 21-58-12 | TB0182X | B028 | BJ | R2 | 4 | | VA316-VA500, VA520-VA700, VB056-VE100, VB124-VB200, VB254-VB280, VB325-VB370, VB402VB410, VB441-VB450, VE104-VE115, VE118-VE170, VF001-VF010, VF021-VF060, VF171-VF180 |
| 96 | 22 | PA | D01872 | 7 | | 21-58-12 | TB0248X | B6 | BJ | R2 | 3 | ZSZ-B6 | VB101-VB101 |
| 96 | 24 | PK | D01872 | 7 | | 21-58-12 | TB0182X | B028 | BJ | R2 | 2 | | VF251-VF260 |
| 98 | 24 | PK | D01872 | 10 | | 21-58-13 | D05552J | 59 | | R2 | 3 | | VA301-VA315, VA501-VA519, VB051-VB055, VB102-VB123, VB251-VB253, VB321-VB324, VB401VB401, VE101-VE103, VE116-VE117 |

286T1080-102
Wire Bundle Assembly
Figure 110 (Sheet 20)

25-71-01



BOEING
COMPONENT
MAINTENANCE MANUAL

| WIRE | | | FROM EQUIPMENT | | | TO EQUIPMENT | | | WIRE INFO | | | |
|--------|----|-----|----------------|------|----|--------------|------|----|-------------|----|--------|---|
| NUMBER | GA | TYP | NUMBER | TERM | TT | NUMBER | TERM | TT | EMC/ SEP | FT | NOTES | EFFECTIVITY |
| 98 | 24 | PK | D01872 | 10 | | TB0182X | A028 | BJ | R2 | 4 | | VA316-VA500, VA520-VA700, VB056-VB100, VB124-VB200, VB254-VB280, VB325-VB370, VB402VB410, VB441-VB450, VE104-VE115, VE118-VE170, VF001-VF010, VF021-VF060, VF171-VF180 |
| 98 | 24 | PK | D01872 | 10 | | TB0248X | A6 | BJ | R2 | 3 | ZSZ-B6 | VB101-VB101 |
| 98 | 24 | PK | D01872 | 10 | | TB0182X | A028 | BJ | R2 | 2 | | VF251-VF260 |
| 99 | 24 | PK | D01872 | 9 | | D0552J | 60 | | R2 | 3 | | VA301-VA315, VA501-VA519, VB051-VB055, VB102-VB123, VB251-VB253, VB321-VB324, VB401VB401, VE101-VE103, VE116-VE117 |
| 99 | 24 | PK | D01872 | 9 | | TB0182X | C028 | BJ | R2 | 4 | | VA316-VA500, VA520-VA700, VB056-VB100, VB124-VB200, VB254-VB280, VB325-VB370, VB402VB410, VB441-VB450, VE104-VE115, VE118-VE170, VF001-VF010, VF021-VF060, VF171-VF180 |
| 99 | 24 | PK | D01872 | 9 | | TB0248X | C6 | BJ | R2 | 3 | ZSZ-B6 | VB101-VB101 |
| 99 | 24 | PK | D01872 | 9 | | TB0182X | C028 | BJ | R2 | 2 | | VF251-VF260 |
| 101 | 22 | PA | D01872 | 15 | | TB0182Y | A002 | BJ | R2 | 3 | | VA301-VA315, VA501-VA519, VB051-VB055, VB102-VB125, VB251-VB253, VB321-VB324, VB401VB401, VE101-VE103, VE116-VE117, VE141-VE146, VF001-VF002 |
| 101 | 22 | PA | D01872 | 15 | | TB0182X | B011 | BJ | R2 | 3 | | VA316-VA500, VA520-VA700, VB056-VB100, VB126-VB200, VB254-VB280, VB325-VB370, VB402VB410, VB441-VB450, VE105-VE115, VE118-VE140, VE147-VE170, VF003-VF010, VF021-VF060, VF171-VF180 |
| 101 | 22 | PA | D01872 | 15 | | TB0182X | B11 | BJ | R2 | 0 | ZSZ-B6 | VB101-VB101 |
| 101 | 22 | PA | D01872 | 15 | | TB0182X | B011 | BJ | R2 | 2 | | VF251-VF260 |
| 101A | 22 | PA | D01872 | 15 | | TB0182X | B011 | BJ | R2 | 3 | | VE104-VE104 |

286T1080-102
Wire Bundle Assembly
Figure 110 (Sheet 21)

25-71-01

| WIRE | | | FROM EQUIPMENT | | | TO EQUIPMENT | | | WIRE INFO | | | | |
|--------|----|-----|----------------|------|----|--------------|---------|------|-----------|---------|----|-------|--|
| NUMBER | GA | TYP | NUMBER | TERM | TT | WDM REF | NUMBER | TERM | TT | EMC/SEP | FT | NOTES | EFFECTIVITY |
| 102 | 24 | PK | D01872 | 12 | | 33-16-11 | D05552J | 61 | | R2 | 3 | | VA301-VA700,VB051-VB200,VB251-VB280,VB321-VB370,VB401-VB410,VB441-VB450,VE101VE170,VF001-VF010,VF021-VF060,VF171-VF180 |
| 102 | 24 | PK | D01872 | 12 | | 33-16-11 | D05552J | 61 | | R2 | 1 | | VF251-VF260 |
| 103 | 24 | PK | D05644J | 41 | | 21-58-11 | D01872 | 20 | | R2 | 3 | | VA301-VA700,VB051-VB200,VB251-VB280,VB321-VB370,VB401-VB410,VB441-VB450,VE101VE170,VF001-VF010,VF021-VF060,VF171-VF180 |
| 103 | 24 | PK | D05644J | 41 | | 21-58-11 | D01872 | 20 | | R2 | 1 | | VF251-VF260 |
| 104R | 22 | PH | D05766J | 19 | | 26-18-22 | D01876 | 36 | | R2 | 3 | | VB331-VB370,VB441-VB450,VE121-VE170,VF021-VF060,VF171-VF180 |
| 104R | 22 | PH | D01876 | 36 | | 26-18-22 | D05766J | 19 | | R2 | 4 | | VF001-VF010 |
| 104R | 22 | PH | D05766J | 19 | | 26-18-22 | D01876 | 36 | | R2 | 2 | | VF251-VF260 |
| 105 | 22 | PA | D01872 | 21 | | 21-58-11 | GDX0002 | D.. | 2 | R2 | 4 | | VA301-VA700,VB051-VB200,VB251-VB280,VB321-VB370,VB401-VB410,VB441-VB450,VE101VE170,VF001-VF010,VF021-VF060,VF171-VF180 |
| 105 | 22 | PA | D01872 | 21 | | 21-58-11 | GDX0002 | D.. | 2 | R2 | 2 | | VF251-VF260 |
| 106R | 22 | PH | D05766J | 20 | | 26-18-22 | D01876 | 57 | | R2 | 3 | | VB331-VB370,VB441-VB450,VE121-VE170,VF021-VF060,VF171-VF180 |
| 106R | 22 | PH | D01876 | 57 | | 26-18-22 | D05766J | 20 | | R2 | 3 | | VF001-VF010 |
| 106R | 22 | PH | D05766J | 20 | | 26-18-22 | D01876 | 57 | | R2 | 2 | | VF251-VF260 |
| 107 | 24 | PK | D01872 | 14 | | 21-58-11 | D05644J | 28 | | R2 | 3 | | VA301-VA700,VB051-VB200,VB251-VB280,VB321-VB370,VB401-VB410,VB441-VB450,VE101VE170,VF001-VF010,VF021-VF060,VF171-VF180 |
| 107 | 24 | PK | D01872 | 14 | | 21-58-11 | D05644J | 28 | | R2 | 1 | | VF251-VF260 |
| 108R | 22 | PH | SP03260 | | S | 26-18-22 | D01876 | 6 | | R2 | 3 | | VB331-VB370,VB441-VB450,VE121-VE170,VF021-VF060,VF171-VF180 |

286T1080-102
Wire Bundle Assembly
Figure 110 (Sheet 22)

25-71-01



BOEING
COMPONENT
MAINTENANCE MANUAL

| WIRE | | | FROM EQUIPMENT | | | TO EQUIPMENT | | | WIRE INFO | | | | |
|--------|----|-----|----------------|------|----|--------------|---------|------|-----------|-------------|----|-------|--|
| NUMBER | GA | TYP | NUMBER | TERM | TT | WDM REF | NUMBER | TERM | TT | EMC/ SEP | FT | NOTES | EFFECTIVITY |
| 108R | 22 | PH | D01876 | 6 | S | 26-18-22 | SP03260 | | S | R2 | 3 | | VF001-VF010 |
| 108R | 22 | PH | SP03260 | | S | 26-18-22 | D01876 | 6 | | R2 | 3 | | VF251-VF260 |
| 109 | 22 | PA | D01872 | 17 | | 21-58-11 | TB0158F | A011 | 2 | R2 | 3 | | VA301-VA700,VB051-VB200,VB251-VB280,VB321- VB370,VB401-VB410,VB441-VB450,VE101VE170,VF001- VF010,VF021-VF060,VF171-VF180 |
| 109 | 22 | PA | D01872 | 17 | | 21-58-11 | TB0158F | A011 | 2 | R2 | 2 | | VF251-VF260 |
| 111 | 22 | PA | TB0182Y | A002 | BJ | 21-58-11 | D05644J | 24 | | R2 | 3 | | VA301-VA700,VB051-VB200,VB251-VB280,VB321- VB370,VB401-VB410,VB441-VB450,VE101VE170,VF001- VF010,VF021-VF060 |
| 111 | 22 | PA | TB0182Y | A002 | BJ | 21-58-11 | D05644J | 24 | | R2 | 3 | | VF171-VF180 |
| 111 | 22 | PA | TB0182Y | A002 | BJ | 21-58-11 | D05644J | 24 | | R2 | 2 | | VF251-VF260 |
| 114 | 22 | PA | D01876 | 22 | | 36-11-52 | SM00002 | | W | R2 | 3 | | VA301-VA700,VB051-VB200,VB251-VB280,VB321- VB330,VB401-VB410,VE101-VE120 |
| 114 | 22 | PA | D01876 | 60 | | 36-11-52 | SM00002 | | W | R2 | 3 | | VB331-VB370,VB441-VB450,VE121-VE170,VF001- VF010,VF021-VF060,VF171-VF180 |
| 114 | 22 | PA | D01876 | 60 | | 36-11-52 | SM00002 | | W | R2 | 1 | | VF251-VF260 |
| 116 | 22 | PA | D01876 | 41 | | 36-11-52 | D05766J | 14 | | R2 | 3 | | VA301-VA700,VB051-VB200,VB251-VB280,VB321- VB330,VB401-VB410,VE101-VE120 |
| 116 | 22 | PA | D01876 | 40 | | 36-11-52 | D05766J | 14 | | R2 | 3 | | VB331-VB370,VB441-VB450,VE121-VE170,VF001- VF010,VF021-VF060,VF171-VF180 |
| 116 | 22 | PA | D01876 | 40 | | 36-11-52 | D05766J | 14 | | R2 | 2 | | VF251-VF260 |
| 119 | 24 | PK | D01876 | 39 | | 36-11-52 | SM00001 | | W | R2 | 3 | | VA301-VA700,VB051-VB200,VB251-VB280,VB321- VB330,VB401-VB410,VE101-VE120 |
| 119 | 24 | PK | D01876 | 55 | | 36-11-52 | SM00001 | | W | R2 | 3 | | VB331-VB370,VB441-VB450,VE121-VE170,VF001- VF010,VF021-VF060,VF171-VF180 |
| 119 | 24 | PK | D01876 | 55 | | 36-11-52 | SM00001 | | W | R2 | 1 | | VF251-VF260 |

286T1080-102
Wire Bundle Assembly
Figure 110 (Sheet 23)

25-71-01

**COMPONENT
MAINTENANCE MANUAL**

| WIRE | | | FROM EQUIPMENT | | | | TO EQUIPMENT | | | | WIRE INFO | | | |
|--------|----|-----|----------------|------|----|----------|--------------|------|----|-------------|-----------|-------|--|--|
| NUMBER | GA | TYP | NUMBER | TERM | TT | WDM REF | NUMBER | TERM | TT | EMC/ SEP | FT | NOTES | EFFECTIVITY | |
| 120 | 24 | PK | D01876 | 5 | | 36-11-52 | TB0248X | A011 | BJ | R2 | 4 | | VA301-VA700,VB051-VB200,VB251-VB280,VB321-VB370,VB401-VB410,VB441-VB450,VE101VE170,VF001-VF010,VF021-VF060,VF171-VF180 | |
| 120 | 24 | PK | D01876 | 5 | | 36-11-52 | TB0248X | A011 | BJ | R2 | 3 | | VF251-VF260 | |
| 121 | 24 | PK | D01876 | 24 | | 36-11-52 | D05644J | 35 | | R2 | 3 | | VA301-VA700,VB051-VB200,VB251-VB280,VB321-VB330,VB401-VB410,VE101-VE120 | |
| 121 | 24 | PK | D01876 | 20 | | 36-11-52 | D05644J | 35 | | R2 | 3 | | VB331-VB370,VB441-VB450,VE121-VE170,VF001-VF010,VF021-VF060,VF171-VF180 | |
| 121 | 24 | PK | D01876 | 20 | | 36-11-52 | D05644J | 35 | | R2 | 2 | | VF251-VF260 | |
| 122 | 22 | PA | D01876 | 7 | | 36-11-52 | D05644J | 36 | | R2 | 3 | | VA301-VA700,VB051-VB200,VB251-VB280,VB321-VB330,VB401-VB410,VE101-VE120 | |
| 122 | 22 | PA | D01876 | 35 | | 36-11-52 | D05644J | 36 | | R2 | 3 | | VB331-VB370,VB441-VB450,VE121-VE170,VF001-VF010,VF021-VF060,VF171-VF180 | |
| 122 | 22 | PA | D01876 | 35 | | 36-11-52 | D05644J | 36 | | R2 | 2 | | VF251-VF260 | |
| 123 | 24 | PK | D01876 | 38 | | 36-11-52 | TB0158Y | A007 | BJ | R2 | 4 | | VA301-VA700,VB051-VB200,VB251-VB280,VB321-VB330,VB401-VB410,VE101-VE120 | |
| 123 | 24 | PK | D01876 | 53 | | 36-11-52 | TB0158Y | A007 | BJ | R2 | 4 | | VB331-VB370,VB441-VB450,VE121-VE170,VF001-VF010,VF021-VF060,VF171-VF180 | |
| 123 | 24 | PK | D01876 | 53 | | 36-11-52 | TB0158Y | A007 | BJ | R2 | 3 | | VF251-VF260 | |
| 124 | 24 | PK | D05552J | 3 | | 21-25-21 | D01874 | 25 | | R2 | 4 | | VA301-VA700,VB051-VB100,VB102-VB200,VB251-VB280,VB321-VB370,VB401-VB410,VB441VB450,VE101-VE170,VF001-VF010,VF021-VF060,VF171-VF180 | |
| 124 | 24 | PK | D05552J | 3 | | 21-25-21 | D01874 | 25 | | R2 | 2 | | VF251-VF260 | |
| 125 | 22 | PA | D01876 | 11 | | 36-11-52 | SM00004 | | W | R2 | 3 | | VA301-VA700,VB051-VB200,VB251-VB280,VB321-VB330,VB401-VB410,VE101-VE120 | |
| 126 | 24 | PK | D01876 | 4 | | 36-11-52 | D05644J | 37 | | R2 | 3 | | VA301-VA700,VB051-VB200,VB251-VB280,VB321-VB330,VB401-VB410,VE101-VE120 | |

 286T1080-102
 Wire Bundle Assembly
 Figure 110 (Sheet 24)

25-71-01

 TESTING & FAULT ISOLATION
 01 Page 132H
 Nov 01/02



BOEING
COMPONENT
MAINTENANCE MANUAL

| WIRE | | | FROM EQUIPMENT | | | | TO EQUIPMENT | | | | WIRE INFO | | | |
|--------|----|-----|----------------|------|----|----------|--------------|------|----|---------|-----------|-------|---|--|
| NUMBER | GA | TYP | NUMBER | TERM | TT | WDM REF | NUMBER | TERM | TT | EMC/SEP | FT | NOTES | EFFECTIVITY | |
| 126 | 24 | PK | D01876 | 52 | | 36-11-52 | D05644J | 37 | | R2 | 3 | | VB331-VB370, VB441-VB450, VE121-VE170, VF001-VF010, VF021-VF060, VF171-VF180 VF251-VF260 | |
| 126 | 24 | PK | D01876 | 52 | | 36-11-52 | D05644J | 37 | | R2 | 2 | | | |
| 127 | 22 | PA | D01876 | 16 | | 36-11-52 | SM00003 | | W | R2 | 3 | | VA301-VA700, VB051-VB200, VB251-VB280, VB321-VB330, VB401-VB410, VE101-VE120 | |
| 128 | 24 | PK | D01876 | 17 | | 36-11-62 | TB0248X | B011 | BJ | R2 | 4 | | VA301-VA700, VB051-VB200, VB251-VB280, VB321-VB330, VB401-VB410, VE101-VE120 | |
| 128 | 24 | PK | D01876 | 37 | | 36-11-62 | TB0248X | B011 | BJ | R2 | 4 | | VB331-VB370, VB441-VB450, VE121-VE170, VF001-VF010, VF021-VF060, VF171-VF180 | |
| 128 | 24 | PK | D01876 | 37 | | 36-11-62 | TB0248X | B011 | BJ | R2 | 3 | | VF251-VF260 | |
| 129 | 22 | PA | D01876 | 2 | | 36-22-11 | D05644J | 38 | | R2 | 3 | | VA301-VA700, VB051-VB200, VB251-VB280, VB321-VB370, VB401-VB410, VB441-VB450, VE101VE170, VF001-VF010, VF021-VF060, VF171-VF180 | |
| 129 | 22 | PA | D01876 | 2 | | 36-22-11 | D05644J | | | R2 | 3 | | | |
| 130 | 24 | PK | D01876 | 2 | | 36-22-11 | D05644J | 38 | | R2 | 2 | | VF251-VF260 | |
| 130 | 24 | PK | D01876 | 3 | | 36-11-62 | D05766J | 7 | | R2 | 3 | | VA301-VA700, VB051-VB200, VB251-VB280, VB321-VB330, VB401-VB410, VE101-VE120 | |
| 130 | 24 | PK | D01876 | 1 | | 36-11-62 | D05766J | 7 | | R2 | 3 | | VB331-VB370, VB441-VB450, VE121-VE170, VF001-VF010, VF021-VF060, VF171-VF180 | |
| 130 | 24 | PK | D01876 | 1 | | 36-11-62 | D05766J | 7 | | R2 | 2 | | VF251-VF260 | |
| 131 | 22 | PA | SM00005 | | W | 36-11-62 | D05766J | 10 | | R2 | 3 | | VA301-VA700, VB051-VB200, VB251-VB280, VB321-VB330, VB401-VB410, VE101-VE120 | |
| 131 | 22 | PA | D01876 | 56 | | 36-11-62 | D05766J | 10 | | R2 | 3 | | VB331-VB370, VB441-VB450, VE121-VE170, VF001-VF010, VF021-VF060, VF171-VF180 | |
| 131 | 22 | PA | D01876 | 56 | | 36-11-62 | D05766J | 10 | | R2 | 2 | | VF251-VF260 | |
| 132 | 22 | PA | D05644J | 29 | | 36-22-11 | TB0248Y | C009 | BJ | R2 | 3 | | VA301-VA700, VB051-VB200, VB251-VB280, VB321-VB370, VB401-VB410, VB441-VB450, VE101VE170, VF001-VF010, VF021-VF060 | |
| 132 | 22 | PA | D05644J | 29 | | 36-22-11 | TB0248Y | C009 | BJ | R2 | 3 | | | |
| 132 | 22 | PA | D05644J | 29 | | 36-22-11 | TB0248Y | C009 | BJ | R2 | 2 | | VF171-VF180 VF251-VF260 | |

286T1080-102
Wire Bundle Assembly
Figure 110 (Sheet 25)

25-71-01

TESTING & FAULT ISOLATION
01 Page 132I
Nov 01/02

| WIRE | | | FROM EQUIPMENT | | | | TO EQUIPMENT | | | | WIRE INFO | | | |
|--------|----|-----|----------------|------|----|----------|--------------|------|----|---------|-----------|-------|--|--|
| NUMBER | GA | TYP | NUMBER | TERM | TT | WDM REF | NUMBER | TERM | TT | EMC/SEP | FT | NOTES | EFFECTIVITY | |
| 135 | 22 | PA | SM00006 | | W | 36-11-62 | D05766J | 8 | | R2 | 3 | | VA301-VA700, VB051-VB200, VB251-VB280, VB321-VB330, VB401-VB410, VE101-VE120 | |
| 135 | 22 | PA | D01876 | 31 | | 36-11-62 | D05766J | 8 | | R2 | 3 | | VB331-VB370, VB441-VB450, VE121-VE170, VF001-VF010, VF021-VF060, VF171-VF180 | |
| 135 | 22 | PA | D01876 | 31 | | 36-11-62 | D05766J | 8 | | R2 | 2 | | VF251-VF260 | |
| 136 | 24 | PK | D01876 | 13 | | 36-11-62 | D05766J | 9 | | R2 | 3 | | VA301-VA700, VB051-VB200, VB251-VB280, VB321-VB330, VB401-VB410, VE101-VE120 | |
| 136 | 24 | PK | D01876 | 58 | | 36-11-62 | D05766J | 9 | | R2 | 3 | | VB331-VB370, VB441-VB450, VE121-VE170, VF001-VF010, VF021-VF060, VF171-VF180 | |
| 136 | 24 | PK | D01876 | 58 | | 36-11-62 | D05766J | 9 | | R2 | 2 | | VF251-VF260 | |
| 137 | 24 | PK | D01876 | 34 | | 36-11-62 | D05766J | 11 | | R2 | 3 | | VA301-VA700, VB051-VB200, VB251-VB280, VB321-VB330, VB401-VB410, VE101-VE120 | |
| 137 | 24 | PK | D01876 | 28 | | 36-11-62 | D05766J | 11 | | R2 | 3 | | VB331-VB370, VB441-VB450, VE121-VE170, VF001-VF010, VF021-VF060, VF171-VF180 | |
| 137 | 24 | PK | D01876 | 28 | | 36-11-62 | D05766J | 11 | | R2 | 2 | | VF251-VF260 | |
| 139 | 24 | PK | TB0158Y A007 | | BJ | 36-11-52 | D05766J | 1 | | R2 | 3 | | VA301-VA700, VB051-VB200, VB251-VB280, VB321-VB370, VB401-VB410, VB441-VB450, VE101VE170, VF001-VF010, VF021-VF060 | |
| 139 | 24 | PK | TB0158Y A007 | | BJ | 36-11-52 | D05766J | 1 | | R2 | 3 | | VF171-VF180 | |
| 139 | 24 | PK | TB0158Y A007 | | BJ | 36-11-52 | D05766J | 1 | | R2 | 2 | | VF251-VF260 | |
| 140 | 24 | PK | TB0158Y A007 | | BJ | 36-11-52 | D05766J | 4 | | R2 | 3 | | VA301-VA700, VB051-VB200, VB251-VB280, VB321-VB370, VB401-VB410, VB441-VB450, VE101VE170, VF001-VF010, VF021-VF060 | |
| 140 | 24 | PK | TB0158Y A007 | | BJ | 36-11-52 | D05766J | 4 | | R2 | 3 | | VF171-VF180 | |
| 140 | 24 | PK | TB0158Y A007 | | BJ | 36-11-52 | D05766J | 4 | | R2 | 2 | | VF251-VF260 | |
| 141 | 22 | PA | D01876 | 33 | | 36-11-62 | D05766J | 6 | | R2 | 3 | | VA301-VA700, VB051-VB200, VB251-VB280, VB321-VB330, VB401-VB410, VE101-VE120 | |
| 141 | 22 | PA | D05766J | 6 | | 36-11-62 | SM00007 | | W | R2 | 3 | | VB331-VB370, VB441-VB450 | |
| 141 | 22 | PA | D05766J | 6 | | 36-11-62 | SM00007 | | W | R2 | 2 | | VE121-VE170, VF021-VF060 | |
| 141 | 22 | PA | SM00007 | | W | 36-11-62 | D05766J | 6 | | R2 | 3 | | VF001-VF010 | |

286T1080-102
Wire Bundle Assembly
Figure 110 (Sheet 26)

25-71-01



BOEING
COMPONENT
MAINTENANCE MANUAL

| WIRE | | | FROM EQUIPMENT | | | | TO EQUIPMENT | | | | WIRE INFO | | | |
|--------|----|-----|----------------|------|----|----------|--------------|------|----|---------|-----------|-------|---|--|
| NUMBER | GA | TYP | NUMBER | TERM | TT | WDM REF | NUMBER | TERM | TT | EMC/SEP | FT | NOTES | EFFECTIVITY | |
| 141 | 22 | PA | D05766J | 6 | | 36-11-62 | SM00007 | | W | R2 | 2 | | VF171-VF180 | |
| 141 | 22 | PA | D05766J | 6 | | 36-11-62 | SM00007 | | W | R2 | 1 | | VF251-VF260 | |
| 143 | 24 | PK | TB0158G | 4 | 2 | 21-51-21 | D05552J | 9 | | R2 | 3 | | VA301-VA315, VA501-VA530, VB051-VB055, VB101-VB125, VB251-VB253, VB321-VB330, VB401VB401, VE101-VE104, VE116-VE117, VE121-VE126, VE141-VE146, VF001-VF002, VF041-VF042, VF051-VF051 | |
| 143 | 24 | PK | TB0158Y | C004 | BJ | 21-51-21 | D05552J | 9 | | R2 | 3 | | VA316-VA500, VA531-VA700, VB056-VB100, VB126-VB200, VB254-VB280, VB331-VB370, VB402VB410, VB441-VB450, VE105-VE115, VE118-VE120, VE127-VE140, VE147-VE170, VF003-VF010, VF021-VF040, VF043-VF050, VF052-VF060 | |
| 143 | 24 | PK | TB0158Y | C004 | BJ | 21-51-21 | D05552J | 9 | | R2 | 3 | | VF171-VF180 | |
| 143 | 24 | PK | TB0158Y | C004 | BJ | 21-51-21 | D05552J | 9 | | R2 | 2 | | VF251-VF260 | |
| 144 | 24 | PK | D05766J | 21 | | 36-11-62 | D01876 | 47 | | R2 | 3 | | VB331-VB370, VB441-VB450, VE121-VE170, VF021-VF060, VF171-VF180 | |
| 144 | 24 | PK | D01876 | 47 | | 36-11-62 | D05766J | 21 | | R2 | 3 | | VF001-VF010 | |
| 144 | 24 | PK | D05766J | 21 | | 36-11-62 | D01876 | 47 | | R2 | 2 | | VF251-VF260 | |
| 145 | 24 | PK | D05766J | 22 | | 36-11-62 | D01876 | 18 | | R2 | 3 | | VB331-VB370, VB441-VB450, VE121-VE170, VF021-VF060, VF171-VF180 | |
| 145 | 24 | PK | D01876 | 18 | | 36-11-62 | D05766J | 22 | | R2 | 3 | | VF001-VF010 | |
| 145 | 24 | PK | D05766J | 22 | | 36-11-62 | D01876 | 18 | | R2 | 2 | | VF251-VF260 | |
| 147 | 24 | PK | D02676 | 22 | | 22-12-21 | D04887J | 6 | | R2 | 3 | | VA301-VA700, VB051-VB200, VB251-VB280, VB321-VB370, VB401-VB410, VB441-VB450, VE101VE170, VF001-VF010, VF021-VF060, VF171-VF180 | |
| 147 | 24 | PK | D02676 | 22 | | 22-12-21 | D04887J | 6 | | R2 | 1 | | VF251-VF260 | |

286T1080-102
Wire Bundle Assembly
Figure 110 (Sheet 27)

25-71-01

TESTING & FAULT ISOLATION
01

Page 132K
Nov 01/02

| WIRE | | | FROM EQUIPMENT | | | TO EQUIPMENT | | | WIRE INFO | | | | |
|--------|----|-----|----------------|------|----|--------------|---------|------|-----------|---------|----|-------|---|
| NUMBER | GA | TYP | NUMBER | TERM | TT | WDM REF | NUMBER | TERM | TT | EMC/SEP | FT | NOTES | EFFECTIVITY |
| 148 | 24 | PK | D02676 | 23 | | 22-12-21 | D04887J | 7 | | R2 | 3 | | VA301-VA700, VB051-VB200, VB251-VB280, VB321-VB370, VB401-VB410, VB441-VB450, VE101VE170, VF001-VF010, VF021-VF060, VF171-VF180 |
| 148 | 24 | PK | D02676 | 23 | | 22-12-21 | D04887J | 7 | | R2 | 1 | | VF251-VF260 |
| 150 | 22 | PA | D02676 | 8 | | 27-58-21 | GDX0002 | A.. | 2 | R2 | 4 | | VA301-VA700, VB051-VB200, VB251-VB280, VB321-VB370, VB401-VB410, VB441-VB450, VE101VE170, VF001-VF010, VF021-VF060, VF171-VF180 |
| 150 | 22 | PA | D02676 | 8 | | 27-58-21 | GDX0002 | A.. | 2 | R2 | 2 | | VF251-VF260 |
| 152 | 24 | PK | D02676 | 7 | | 27-58-21 | D08032J | 2 | | R2 | 3 | | VA301-VA700, VB051-VB200, VB251-VB280, VB321-VB370, VB401-VB410, VB441-VB450, VE101VE170, VF001-VF010, VF021-VF060, VF171-VF180 |
| 152 | 24 | PK | D02676 | 7 | | 27-58-21 | D08032J | 2 | | R2 | 2 | | VF251-VF260 |
| 153 | 24 | PK | TB0248X | D011 | BJ | 21-58-14 | D01874 | 37 | | R2 | 4 | | VA301-VA315, VA501-VA519, VB051-VB055, VB102-VB123, VB251-VB253, VB321-VB324, VB401VB401, VE101-VE103, VE116-VE117 |
| 154 | 22 | PA | D05766J | 23 | | 36-11-62 | D01876 | 27 | | R2 | 3 | | VB331-VB370, VB441-VB450, VE121-VE170, VF021-VF060, VF171-VF180 |
| 154 | 22 | PA | D01876 | 27 | | 36-11-62 | D05766J | 23 | | R2 | 3 | | VF001-VF010 |
| 154 | 22 | PA | D05766J | 23 | | 36-11-62 | D01876 | 27 | | R2 | 2 | | VF251-VF260 |
| 155 | 24 | PK | D02676 | 38 | | 22-12-21 | D04887J | 8 | | R2 | 3 | | VA301-VA700, VB051-VB200, VB251-VB280, VB321-VB370, VB401-VB410, VB441-VB450, VE101VE170, VF001-VF010, VF021-VF060, VF171-VF180 |
| 155 | 24 | PK | D02676 | 38 | | 22-12-21 | D04887J | 8 | | R2 | 1 | | VF251-VF260 |

 286T1080-102
 Wire Bundle Assembly
 Figure 110 (Sheet 28)



BOEING
COMPONENT
MAINTENANCE MANUAL

| WIRE | | FROM EQUIPMENT | | | TO EQUIPMENT | | | WIRE INFO | | | | | |
|--------|----|----------------|---------|------|--------------|----------|---------|-----------|----|---------|----|--------|--|
| NUMBER | GA | TYP | NUMBER | TERM | TT | WDM REF | NUMBER | TERM | TT | EMC/SEP | FT | NOTES | EFFECTIVITY |
| 156 | 24 | PK | D02676 | 39 | | 22-12-21 | D04887J | 9 | | R2 | 3 | | VA301-VA700,VB051-VB200,VB251-VB280,VB321-VB370,VB401-VB410,VB441-VB450,VE101VE170,VF001-VF010,VF021-VF060,VF171-VF180 |
| 156 | 24 | PK | D02676 | 39 | | 22-12-21 | D04887J | 9 | | R2 | 1 | | VF251-VF260 |
| 160 | 22 | PA | TB0248D | A021 | 2 | 73-21-19 | D08032J | 34 | | R2 | 3 | | VA301-VA700,VB051-VB200,VB254-VB280,VB323-VB370,VB401-VB410,VB441-VB450,VE101VE170,VF001-VF010,VF021-VF060 |
| 160 | 22 | PA | TB0248D | A021 | 2 | 73-21-19 | D08032J | 34 | | R2 | 3 | ZSZ-B6 | VF251-VB253 |
| 160 | 24 | PK | TB0248Y | C014 | BJ | 73-21-19 | D08032J | 34 | | R2 | 3 | | VB321-VB322 |
| 160 | 22 | PA | TB0248D | A021 | 2 | 73-21-19 | D08032J | 34 | | R2 | 3 | | VF171-VF180 |
| 160 | 22 | PA | TB0248D | A021 | 2 | 73-21-19 | D08032J | 34 | | R2 | 2 | | VF251-VF260 |
| 161 | 22 | PA | TB0248Y | C014 | BJ | 73-21-19 | D08032J | 33 | | R2 | 3 | | VA301-VA315 |
| 161 | 22 | PA | TB0248Y | C014 | BJ | 73-21-19 | D08032J | 33 | | R2 | 3 | | VA316-VA700,VB051-VB200,VB254-VB280,VB323-VB370,VB401-VB410,VB441-VB450,VE101VE170,VF001-VF010,VF021-VF060 |
| 161 | 22 | PA | TB0248Y | C014 | BJ | 73-21-19 | D08032J | 33 | | R2 | 3 | ZSZ-B6 | VF251-VB253 |
| 161 | 24 | PK | TB0248Y | C014 | BJ | 73-21-19 | D08032J | 33 | | R2 | 3 | | VB321-VB322 |
| 161 | 22 | PA | TB0248Y | C014 | BJ | 73-21-19 | D08032J | 33 | | R2 | 3 | | VF171-VF180 |
| 161 | 22 | PA | TB0248Y | C014 | BJ | 73-21-19 | D08032J | 33 | | R2 | 2 | | VF251-VF260 |
| 163 | 22 | PA | TB0182X | B016 | BJ | 73-21-19 | D08032J | 32 | | R2 | 3 | | VA301-VA315 |
| 163 | 22 | PA | TB0182X | B016 | BJ | 73-21-19 | D08032J | 32 | | R2 | 3 | | VA316-VA700,VB051-VB200,VB254-VB280,VB323-VB370,VB401-VB410,VB441-VB450,VE101VE170,VF001-VF010,VF021-VF060 |
| 163 | 22 | PA | TB0182X | B016 | BJ | 73-21-19 | D08032J | 32 | | R2 | 3 | ZSZ-B6 | VF251-VB253 |
| 163 | 24 | PK | TB0182X | B016 | BJ | 73-21-19 | D08032J | 32 | | R2 | 3 | | VB321-VB322 |
| 163 | 22 | PA | TB0182X | B016 | BJ | 73-21-19 | D08032J | 32 | | R2 | 3 | | VF171-VF180 |
| 163 | 22 | PA | TB0182X | B016 | BJ | 73-21-19 | D08032J | 32 | | R2 | 2 | | VF251-VF260 |

286T1080-102
Wire Bundle Assembly
Figure 110 (Sheet 29)

25-71-01



COMPONENT
MAINTENANCE MANUAL

| WIRE | | | FROM EQUIPMENT | | | TO EQUIPMENT | | | WIRE INFO | | |
|--------|----|-----|----------------|---------|-------------|--------------|---------|---------|-----------|-------|--|
| NUMBER | GA | TYP | NUMBER | TERM TT | WDM REF | NUMBER | TERM TT | EMC/SEP | FT | NOTES | EFFECTIVITY |
| 166 | 24 | PK | TB0182X | B015 | BJ 73-21-16 | D08032J | 11 | R2 | 3 | | VA301-VA700, VB051-VB200, VB251-VB280, VB321-VB330, VB401-VB410, VE101-VE170, VF001VF010, VF021-VF060 |
| 167 | 24 | PK | TB0182X | D016 | BJ 22-32-13 | D04887J | 15 | R2 | 3 | | VA301-VA700, VB051-VB200, VB251-VB280, VB321-VB370, VB401-VB410, VB441-VB450, VE101VE170, VF001-VF010, VF021-VF060 |
| 167 | 24 | PK | TB0182X | D016 | BJ 22-32-13 | D04887J | 15 | R2 | 3 | | VF171-VF180 |
| 167 | 24 | PK | TB0182X | D016 | BJ 22-32-13 | D04887J | 15 | R2 | 2 | | VF251-VF260 |
| 174 | 24 | PK | TB0182X | D017 | BJ 22-32-13 | D04887J | 14 | R2 | 3 | | VA301-VA700, VB051-VB200, VB251-VB280, VB321-VB370, VB401-VB410, VB441-VB450, VE101VE170, VF001-VF010, VF021-VF060 |
| 174 | 24 | PK | TB0182X | D017 | BJ 22-32-13 | D04887J | 14 | R2 | 3 | | VF171-VF180 |
| 174 | 24 | PK | TB0182X | D017 | BJ 22-32-13 | D04887J | 14 | R2 | 2 | | VF251-VF260 |
| 175 | 24 | PK | TB0182X | B013 | BJ 73-21-17 | D08032J | 12 | R2 | 3 | | VA301-VA700, VB051-VB200, VB251-VB280, VB321-VB330, VB401-VB410, VE101-VE120 |
| 176 | 24 | PK | TB0182X | C017 | BJ 22-32-13 | D04887J | 18 | R2 | 3 | | VA301-VA700, VB051-VB200, VB251-VB280, VB321-VB370, VB401-VB410, VB441-VB450, VE101VE170, VF001-VF010, VF021-VF060 |
| 176 | 24 | PK | TB0182X | C017 | BJ 22-32-13 | D04887J | 18 | R2 | 3 | | VF171-VF180 |
| 176 | 24 | PK | TB0182X | C017 | BJ 22-32-13 | D04887J | 18 | R2 | 2 | | VF251-VF260 |
| 177 | 22 | PA | TB0182Y | C006 | BJ 73-21-19 | D08032J | 19 | R2 | 3 | | VA301-VA700, VB051-VB200, VB251-VB280, VB321-VB330, VB401-VB410, VE101-VE170, VF001VF010, VF021-VF060 |
| 177 | 22 | PA | TB0182X | A011 | BJ 73-21-19 | D08032J | 19 | R2 | 3 | | VB331-VB370, VB441-VB450 |
| 177 | 22 | PA | TB0182X | A011 | BJ 73-21-19 | D08032J | 19 | R2 | 3 | | VF171-VF180 |
| 177 | 22 | PA | TB0182X | A011 | BJ 73-21-19 | D08032J | 19 | R2 | 2 | | VF251-VF260 |
| 178 | 24 | PK | TB0182X | D015 | BJ 73-21-16 | D08032J | 35 | R2 | 3 | | VA301-VA700, VB051-VB200, VB251-VB280, VB321-VB370, VB401-VB410, VB441-VB450, VE101VE170, VF001-VF010, VF021-VF060 |
| 178 | 24 | PK | TB0182X | D015 | BJ 73-21-16 | D08032J | 35 | R2 | 3 | | VF171-VF180 |

286T1080-102
Wire Bundle Assembly
Figure 110 (Sheet 30)

25-71-01



BOEING
COMPONENT
MAINTENANCE MANUAL

| WIRE | | | FROM EQUIPMENT | | | | TO EQUIPMENT | | | | WIRE INFO | | | |
|--------|----|-----|----------------|------|----|----------|--------------|------|----|---------|-----------|-------|--|--|
| NUMBER | GA | TYP | NUMBER | TERM | TT | WDM REF | NUMBER | TERM | TT | EMC/SEP | FT | NOTES | EFFECTIVITY | |
| 178 | 24 | PK | TB0182X | D015 | BJ | 73-21-16 | D08032J | 35 | | R2 | 2 | | VF251-VF260 | |
| 179 | 24 | PK | TB0182X | B014 | BJ | 73-21-15 | D08032J | 9 | | R2 | 3 | | VA301-VA700,VB051-VB200,VB251-VB280,VB321-VB330,VB401-VB410,VE101-VE120 | |
| 179 | 24 | PK | TB0182G | 24 | 2 | 73-21-15 | D08032J | 9 | | R2 | 2 | | VE121-VE170,VF001-VF010,VF021-VF060 | |
| 181 | 24 | PK | D08032J | 6 | | 73-21-18 | TB0182X | B008 | BJ | R2 | 3 | | VA301-VA700,VB051-VB200,VB251-VB280,VB321-VB370,VB401-VB410,VB441-VB450,VE101VE170,VF001-VF010,VF021-VF060 | |
| 181 | 24 | PK | D08032J | 6 | | 73-21-18 | TB0182X | B008 | BJ | R2 | 3 | | VF171-VF180 | |
| 181 | 24 | PK | D08032J | 6 | | 73-21-18 | TB0182X | B008 | BJ | R2 | 2 | | VF251-VF260 | |
| 183 | 24 | PK | TB0182Y | C005 | BJ | 73-21-15 | D08032J | 17 | | R2 | 3 | | VA301-VA700,VB051-VB200,VB251-VB280,VB321-VB370,VB401-VB410,VB441-VB450,VE101VE170,VF001-VF010,VF021-VF060 | |
| 183 | 24 | PK | TB0182Y | C005 | BJ | 73-21-15 | D08032J | 17 | | R2 | 3 | | VF171-VF180 | |
| 183 | 24 | PK | TB0182Y | C005 | BJ | 73-21-15 | D08032J | 17 | | R2 | 2 | | VF251-VF260 | |
| 184 | 24 | PK | TB0158F | C026 | 2 | 22-32-13 | D04887J | 11 | | R2 | 3 | | VA301-VA700,VB051-VB200,VB251-VB280,VB321-VB370,VB401-VB410,VB441-VB450,VE101VE170,VF001-VF010,VF021-VF060 | |
| 184 | 24 | PK | TB0158F | C026 | 2 | 22-32-13 | D04887J | 11 | | R2 | 3 | | VF171-VF180 | |
| 184 | 24 | PK | TB0158F | C026 | 2 | 22-32-13 | D04887J | 11 | | R2 | 2 | | VF251-VF260 | |
| 185 | 24 | PK | TB0158F | A026 | 2 | 22-32-13 | D04887J | 12 | | R2 | 3 | | VA301-VA700,VB051-VB200,VB251-VB280,VB321-VB370,VB401-VB410,VB441-VB450,VE101VE170,VF001-VF010,VF021-VF060 | |
| 185 | 24 | PK | TB0158F | A026 | 2 | 22-32-13 | D04887J | 12 | | R2 | 3 | | VF171-VF180 | |
| 185 | 24 | PK | TB0158F | A026 | 2 | 22-32-13 | D04887J | 12 | | R2 | 2 | | VF251-VF260 | |
| 187 | 24 | PK | TB0182X | A013 | BJ | 73-21-17 | D08032J | 13 | | R2 | 3 | | VA301-VA700,VB051-VB200,VB251-VB280,VB321-VB330,VB401-VB410,VE101-VE120 | |
| 188 | 24 | PK | D08032J | 18 | | 73-21-17 | TB0182X | B011 | BJ | R2 | 0 | | VB051-VB054 | |
| 192 | 22 | PA | D05766J | 24 | | 36-11-62 | D01876 | 61 | | R2 | 3 | | VB331-VB370,VB441-VB450,VE121-VE170,VF021-VF060,VF171-VF180 | |
| 192 | 22 | PA | D01876 | 61 | | 36-11-62 | D05766J | 24 | | R2 | 3 | | VF001-VF010 | |

286T1080-102
Wire Bundle Assembly
Figure 110 (Sheet 31)

25-71-01

| WIRE | | | FROM EQUIPMENT | | | | TO EQUIPMENT | | | | WIRE INFO | | | |
|--------|----|-----|----------------|------|----|----------|--------------|------|----|---------|-----------|-------|---|--|
| NUMBER | GA | TYP | NUMBER | TERM | TT | WDM REF | NUMBER | TERM | TT | EMC/SEP | FT | NOTES | EFFECTIVITY | |
| 192 | 22 | PA | D05766J | 24 | | 36-11-62 | D01876 | 61 | | R2 | 2 | | VF251-VF260 | |
| 195 | 24 | PK | TE0182X | B017 | BJ | 22-32-13 | D04887J | 17 | | R2 | 3 | | VA301-VA700, VB051-VB200, VB251-VB280, VB321-VB370, VB401-VB410, VB441-VB450, VE101VE170, VF001-VF010, VF021-VF060 | |
| 195 | 24 | PK | TE0182X | B017 | BJ | 22-32-13 | D04887J | 17 | | R2 | 3 | | VF171-VF180 | |
| 195 | 24 | PK | TE0182X | B017 | BJ | 22-32-13 | D04887J | 17 | | R2 | 2 | | VF251-VF260 | |
| 196 | 24 | PK | D08032J | 14 | | 73-21-15 | TE0182X | A014 | BJ | R2 | 3 | | VA301-VA700, VB051-VB200, VB251-VB280, VB321-VB330, VB401-VB410, VE101-VE120 | |
| 197 | 24 | PK | TE0182X | A017 | BJ | 22-32-13 | D04887J | 16 | | R2 | 3 | | VA301-VA700, VB051-VB200, VB251-VB280, VB321-VB370, VB401-VB410, VB441-VB450, VE101VE170, VF001-VF010, VF021-VF060 | |
| 197 | 24 | PK | TE0182X | A017 | BJ | 22-32-13 | D04887J | 16 | | R2 | 3 | | VF171-VF180 | |
| 197 | 24 | PK | TE0182X | A017 | BJ | 22-32-13 | D04887J | 16 | | R2 | 2 | | VF251-VF260 | |
| 199 | 24 | PK | TE0182X | C014 | BJ | 73-21-15 | D08032J | 8 | | R2 | 3 | | VA301-VA700, VB051-VB200, VB251-VB280, VB321-VB330, VB401-VB410, VE101-VE170, VF001VF010, VF021-VF060 | |
| 200 | 24 | PK | TE0248X | A006 | BJ | 36-11-62 | D01876 | 65 | | R2 | 3 | | VB331-VB370, VB441-VB450, VE121-VE170, VF021-VF060, VF171-VF180, VF251-VF260 | |
| 200 | 24 | PK | D01876 | 65 | | 36-11-62 | TE0248X | A006 | BJ | R2 | 3 | | VF001-VF010 | |
| 201B | 24 | PL | D02676 | 17 | | 27-51-11 | D08032J | 25 | | R2 | 3 | | VA301-VA700, VB051-VB200, VB251-VB280, VB321-VB370, VB401-VB410, VB441-VB450, VE101VE170, VF001-VF010, VF021-VF060, VF171-VF180 | |
| 201B | 24 | PL | D02676 | 17 | | 27-51-11 | D08032J | 25 | | R2 | 2 | | VF251-VF260 | |
| 201R | 24 | PL | D02676 | 18 | | 27-51-11 | D08032J | 26 | | R2 | 3 | | VA301-VA700, VB051-VB200, VB251-VB280, VB321-VB370, VB401-VB410, VB441-VB450, VE101VE170, VF001-VF010, VF021-VF060, VF171-VF180 | |
| 202B | 24 | PL | D02676 | 9 | | 27-58-21 | D08032J | 20 | | R2 | 3 | | VF251-VF260 | |
| 202B | 24 | PL | D02676 | 9 | | 27-58-21 | D08032J | 20 | | R2 | 2 | | VF251-VF260 | |

 286T1080-102
 Wire Bundle Assembly
 Figure 110 (Sheet 32)

25-71-01



BOEING
COMPONENT
MAINTENANCE MANUAL

| WIRE | | | FROM EQUIPMENT | | | | TO EQUIPMENT | | | | WIRE INFO | | | |
|--------|----|-----|----------------|------|----|----------|--------------|------|----|---------|-----------|-------|---|--|
| NUMBER | GA | TYP | NUMBER | TERM | TT | WDM REF | NUMBER | TERM | TT | EMC/SEP | FT | NOTES | EFFECTIVITY | |
| 202R | 24 | PL | D02676 | 10 | | 27-58-21 | D08032J | 21 | | R2 | 3 | | VA301-VA700, VB051-VB200, VB251-VB280, VB321-VB370, VB401-VB410, VB441-VB450, VE101VE170, VF001-VF010, VF021-VF060, VF171-VF180 | |
| 203B | 22 | PB | D02676 | 41 | | 27-41-21 | D04887J | 5 | | R2 | 1 | | VF251-VF260 | |
| 203B | 22 | PB | D02676 | 41 | | 27-41-21 | D04887J | 4 | | R2 | 3 | | VA301-VA700, VB051-VB200, VB251-VB280, VB321-VB370, VB401-VB410, VB441-VB450, VE101VE170, VF001-VF010, VF021-VF060, VF171-VF180 | |
| 206B | 24 | PL | D02676 | 35 | | 27-58-21 | D04887J | 30 | | R2 | 3 | | VF251-VF260 | |
| 206B | 24 | PL | D02676 | 35 | | 27-58-21 | D04887J | 30 | | R2 | 1 | | VF251-VF260 | |
| 206R | 24 | PL | D02676 | 31 | | 27-58-21 | D04887J | 31 | | R2 | 3 | | VA301-VA700, VB051-VB200, VB251-VB280, VB321-VB370, VB401-VB410, VB441-VB450, VE101VE170, VF001-VF010, VF021-VF060, VF171-VF180 | |
| 207B | 24 | PL | D02676 | 21 | | 27-32-21 | D04887J | 29 | | R2 | 3 | | VF251-VF260 | |
| 207B | 24 | PL | D02676 | 21 | | 27-32-21 | D04887J | 29 | | R2 | 1 | | VF251-VF260 | |
| 207R | 24 | PL | D02676 | 19 | | 27-32-21 | D04887J | 28 | | R2 | 3 | | VA301-VA700, VB051-VB200, VB251-VB280, VB321-VB330, VB401-VB410, VE101-VE120 | |
| 211B | 24 | PW | D08032J | 47 | | 77-12-12 | TB0182X | C007 | BJ | R2 | 3 | | VB331-VB370, VB441-VB450, VE121-VE170, VF001-VF010, VF021-VF060 | |
| 211B | 24 | PW | D08032J | 50 | | 77-12-12 | TB0182X | D007 | BJ | R2 | 3 | | VF171-VF180 | |
| 211B | 24 | PW | D08032J | 50 | | 77-12-12 | TB0182X | D007 | BJ | R2 | 2 | | VF251-VF260 | |
| 211R | 24 | PW | D08032J | 50 | | 77-12-12 | TB0182X | D007 | BJ | R2 | 3 | | VA301-VA700, VB051-VB200, VB251-VB280, VB321-VB330, VB401-VB410, VE101-VE120 | |
| 211R | 24 | PW | D08032J | 47 | | 77-12-12 | TB0182X | C007 | BJ | R2 | 3 | | VB331-VB370, VB441-VB450, VE121-VE170, VF001-VF010, VF021-VF060 | |
| 211R | 24 | PW | D08032J | 47 | | 77-12-12 | TB0182X | C007 | BJ | R2 | 3 | | VF171-VF180, VF251-VF260 | |

286T1080-102
Wire Bundle Assembly
Figure 110 (Sheet 33)

25-71-01



COMPONENT
MAINTENANCE MANUAL

| WIRE | | | FROM EQUIPMENT | | | TO EQUIPMENT | | | WIRE INFO | | | | |
|--------|----|-----|----------------|------|----|--------------|---------|------|-----------|-------------|----|-------|--|
| NUMBER | GA | TYP | NUMBER | TERM | TT | WDM REF | NUMBER | TERM | TT | EMC/ SEP | FT | NOTES | EFFECTIVITY |
| 211Z | | | D08032J | 56 | | 77-12-12 | TS0182X | C008 | BJ | R2 | | | VA301-VA700, VB051-VB200, VB251-VB280, VB321-VB370, VB401-VB410, VB441-VB450, VE101VE170, VF001-VF010, VF021-VF060 |
| 211Z | | | D08032J | 56 | | 77-12-12 | TS0182X | C008 | BJ | R2 | | | VF171-VF180, VF251-VF260 |
| 212B | 24 | PW | D05552J | 10 | | 77-12-12 | TS0248X | B005 | BJ | R2 | 3 | | VA301-VA700, VB051-VB200, VB251-VB280, VB321-VB330, VB401-VB410, VE101-VE120 |
| 212B | 24 | PW | D05552J | 11 | | 77-12-12 | TS0248X | C005 | BJ | R2 | 3 | | VB331-VB370, VB441-VB450, VE121-VE170, VF001-VF010, VF021-VF060 |
| 212B | 24 | PW | D05552J | 11 | | 77-12-12 | TS0248X | C005 | BJ | R2 | 3 | | VF171-VF180 |
| 212B | 24 | PW | D05552J | 11 | | 77-12-12 | TS0248X | C005 | BJ | R2 | 2 | | VF251-VF260 |
| 212R | 24 | PW | D05552J | 11 | | 77-12-12 | TS0248X | C005 | BJ | R2 | | | VA301-VA700, VB051-VB200, VB251-VB280, VB321-VB330, VB401-VB410, VE101-VE120 |
| 212R | 24 | PW | D05552J | 10 | | 77-12-12 | TS0248X | B005 | BJ | R2 | | | VB331-VB370, VB441-VB450, VE121-VE170, VF001-VF010, VF021-VF060 |
| 212R | 24 | PW | D05552J | 10 | | 77-12-12 | TS0248X | B005 | BJ | R2 | | | VF171-VF180, VF251-VF260 |
| 212Z | | | D05552J | 12 | | 77-12-12 | TS0248X | A005 | BJ | R2 | | | VA301-VA700, VB051-VB200, VB251-VB280, VB321-VB370, VB401-VB410, VB441-VB450, VE101VE170, VF001-VF010, VF021-VF060 |
| 217 | 24 | PK | D05766J | 31 | | 36-11-62 | D01876 | 17 | | R2 | 3 | | VF171-VF180, VF251-VF260 |
| 217 | 24 | PK | D01876 | 17 | | 36-11-62 | D05766J | 31 | | R2 | 3 | | VF001-VF010 |
| 217 | 24 | PK | D05766J | 31 | | 36-11-62 | D01876 | 17 | | R2 | 2 | | VF251-VF260 |
| 248 | 22 | PA | D01876 | 66 | | 36-11-62 | SM00007 | | W | R2 | 3 | | VB331-VB370, VB441-VB450, VE121-VE170, VF001-VF010, VF021-VF060, VF171-VF180 |
| 248 | 22 | PA | D01876 | 66 | | 36-11-62 | SM00007 | | W | R2 | 1 | | VF251-VF260 |
| 249 | 22 | PA | D01876 | 34 | | 36-11-62 | SM00007 | | W | R2 | 3 | | VB331-VB370, VB441-VB450, VE121-VE170, VF001-VF010, VF021-VF060, VF171-VF180 |
| 249 | 22 | PA | D01876 | 34 | | 36-11-62 | SM00007 | | W | R2 | 1 | | VF251-VF260 |

286T1080-102
Wire Bundle Assembly
Figure 110 (Sheet 34)

25-71-01



BOEING
COMPONENT
MAINTENANCE MANUAL

| WIRE | | | FROM EQUIPMENT | | | TO EQUIPMENT | | | WIRE INFO | | | | |
|--------|----|-----|----------------|------|----|--------------|---------|------|-----------|---------|----|-------|---|
| NUMBER | GA | TYP | NUMBER | TERM | TT | WDM REF | NUMBER | TERM | TT | EMC/SEP | FT | NOTES | EFFECTIVITY |
| 301B | 24 | PM | D02676 | 12 | | 27-58-21 | D08032J | 22 | | R2 | 3 | | VA301-VA700, VB051-VB200, VB251-VB280, VB321-VB370, VB401-VB410, VB441-VB450, VE101VE170, VF001-VF010, VF021-VF060, VF171-VF180 |
| 301B | 24 | PM | D02676 | 12 | | 27-58-21 | D08032J | 22 | | R2 | 2 | | VF251-VF260 |
| 301R | 24 | PM | D02676 | 13 | | 27-58-21 | D08032J | 23 | | R2 | | | |
| 301Y | 24 | PM | D02676 | 11 | | 27-58-21 | D08032J | 24 | | R2 | | | |
| 304B | 24 | PM | D02676 | 32 | | 27-58-21 | D04887J | 32 | | R2 | 3 | | VA301-VA700, VB051-VB200, VB251-VB280, VB321-VB370, VB401-VB410, VB441-VB450, VE101VE170, VF001-VF010, VF021-VF060, VF171-VF180 |
| 304B | 24 | PM | D02676 | 32 | | 27-58-21 | D04887J | 32 | | R2 | 1 | | VF251-VF260 |
| 304R | 24 | PM | D02676 | 33 | | 27-58-21 | D04887J | 33 | | R2 | | | |
| 304Y | 24 | PM | D02676 | 34 | | 27-58-21 | D04887J | 34 | | R2 | | | |
| 500 | 24 | PK | D05644J | 40 | | 21-58-11 | D01872 | 1 | | R2 | 3 | | VA301-VA700, VB051-VB200, VB251-VB280, VB321-VB370, VB401-VB410, VB441-VB450, VE101VE170, VF001-VF010, VF021-VF060, VF171-VF180 |
| 500 | 24 | PK | D05644J | 40 | | 21-58-11 | D01872 | 1 | | R2 | 1 | | VF251-VF260 |
| 507 | 24 | PK | TB0158G | 1 | 2 | 34-61-23 | D04809J | 1 | | R2 | 3 | | VA301-VA315, VA501-VA530, VB051-VB055, VB101-VB125, VB251-VB253, VB321-VB330, VB401VB401, VE101-VE104, VE116-VE117, VE121-VE126, VE141-VE146, VF001-VF002, VF041-VF042, VF051-VF051 |
| 507 | 24 | PK | TB0158Y A003 | BJ | | 34-61-23 | D04809J | 1 | | R2 | 3 | | VA316-VA500, VA531-VA700, VB056-VB100, VB126-VB200, VB254-VB280, VB331-VB370, VB402VB410, VB441-VB450, VE105-VE115, VE118-VE120, VE127-VE140, VE147-VE170, VF003-VF010, VF021-VF040, VF043-VF050, VF052-VF060 |

286T1080-102
Wire Bundle Assembly
Figure 110 (Sheet 35)

25-71-01

| WIRE | | | FROM EQUIPMENT | | | TO EQUIPMENT | | | WIRE INFO | | | |
|--------|----|-----|----------------|---------|----------|--------------|---------|---------|-----------|-------|--|--|
| NUMBER | GA | TYP | NUMBER | TERM TT | WDM REF | NUMBER | TERM TT | EMC/SEP | FT | NOTES | EFFECTIVITY | |
| 507 | 24 | PK | TB0158Y A003 | BJ | 34-61-23 | D04809J | 1 | R2 | 3 | | VF171-VF180 | |
| 507 | 24 | PK | TB0158Y A003 | BJ | 34-61-23 | D04809J | 1 | R2 | 2 | | VF251-VF260 | |
| 508 | 24 | PK | TB0158G 18 | 2 | 34-61-23 | D04809J | 2 | R2 | 3 | | VA301-VA700, VB051-VB200, VB251-VB280, VB321- VB370, VB401-VB410, VB441-VB450, VE101VE170, VF001- VF010, VF021-VF060 | |
| 508 | 24 | PK | TB0158G 18 | 2 | 34-61-23 | D04809J | 2 | R2 | 3 | | VF171-VF180 | |
| 508 | 24 | PK | TB0158G 18 | 2 | 34-61-23 | D04809J | 2 | R2 | 2 | | VF251-VF260 | |
| 509 | 24 | PK | TB0158G 21 | 2 | 34-61-23 | D04809J | 3 | R2 | 3 | | VA301-VA700, VB051-VB200, VB251-VB280, VB321- VB370, VB401-VB410, VB441-VB450, VE101VE170, VF001- VF010, VF021-VF060 | |
| 509 | 24 | PK | TB0158G 21 | 2 | 34-61-23 | D04809J | 3 | R2 | 3 | | VF171-VF180 | |
| 509 | 24 | PK | TB0158G 21 | 2 | 34-61-23 | D04809J | 3 | R2 | 2 | | VF251-VF260 | |
| 510 | 24 | PK | TB0158G 22 | 2 | 34-61-23 | D04809J | 4 | R2 | 3 | | VA301-VA700, VB051-VB200, VB251-VB280, VB321- VB370, VB401-VB410, VB441-VB450, VE101VE170, VF001- VF010, VF021-VF060 | |
| 510 | 24 | PK | TB0158G 22 | 2 | 34-61-23 | D04809J | 4 | R2 | 3 | | VF171-VF180 | |
| 510 | 24 | PK | TB0158G 22 | 2 | 34-61-23 | D04809J | 4 | R2 | 2 | | VF251-VF260 | |
| 511 | 24 | PK | TB0158G 23 | 2 | 34-61-23 | D04809J | 5 | R2 | 3 | | VA301-VA700, VB051-VB200, VB251-VB280, VB321- VB370, VB401-VB410, VB441-VB450, VE101VE170, VF001- VF010, VF021-VF060 | |
| 511 | 24 | PK | TB0158G 23 | 2 | 34-61-23 | D04809J | 5 | R2 | 3 | | VF171-VF180 | |
| 511 | 24 | PK | TB0158G 23 | 2 | 34-61-23 | D04809J | 5 | R2 | 2 | | VF251-VF260 | |
| 512 | 24 | PV | TB0182Y A005 | BJ | 34-61-23 | D04809J | 6 | L2 | 3 | | VA301-VA700, VB051-VB200, VB251-VB280, VB321- VB370, VB401-VB410, VB441-VB450, VE101VE170, VF001- VF010, VF021-VF060 | |
| 512 | 24 | PV | TB0182Y A005 | BJ | 34-61-23 | D04809J | 6 | L2 | 3 | | VF171-VF180 | |
| 512 | 24 | PV | TB0182Y A005 | BJ | 34-61-23 | D04809J | 6 | L2 | 2 | | VF251-VF260 | |
| 512Z | | | D04809J DED | DED | 34-61-23 | TB0182Y | DED | R2 | | | | |

286T1080-102
Wire Bundle Assembly
Figure 110 (Sheet 36)

25-71-01



BOEING
COMPONENT
MAINTENANCE MANUAL

| WIRE | | | FROM EQUIPMENT | | | | TO EQUIPMENT | | | | WIRE INFO | | | |
|--------|----|-----|----------------|---------|---------|----------|--------------|-------|---------|-------|---|--|--|--|
| NUMBER | GA | TYP | NUMBER | TERM TT | WDM REF | NUMBER | TERM TT | FT | EMC/SEP | NOTES | EFFECTIVITY | | | |
| 513 | 24 | PV | TE0182Y | A004 | BJ | 34-61-23 | D04809J | 7 | L2 | 3 | VA301-VA700, VB051-VB200, VB251-VB280, VB321-VB370, VB401-VB410, VB441-VB450, VE101VE170, VF001-VF010, VF021-VF060 | | | |
| 513 | 24 | PV | TE0182Y | A004 | BJ | 34-61-23 | D04809J | 7 | L2 | 3 | VF171-VF180 | | | |
| 513 | 24 | PV | TE0182Y | A004 | BJ | 34-61-23 | D04809J | 7 | L2 | 2 | VF251-VF260 | | | |
| 513Z | | | D04809J | DED | | 34-61-23 | TE0182Y | DED | R2 | | | | | |
| 514 | 24 | PV | TE0182Y | A009 | BJ | 34-61-23 | D04809J | 8 | L2 | 3 | VA301-VA700, VB051-VB200, VB251-VB280, VB321-VB370, VB401-VB410, VB441-VB450, VE101VE170, VF001-VF010, VF021-VF060 | | | |
| 514 | 24 | PV | TE0182Y | A009 | BJ | 34-61-23 | D04809J | 8 | L2 | 3 | VF171-VF180 | | | |
| 514 | 24 | PV | TE0182Y | A009 | BJ | 34-61-23 | D04809J | 8 | L2 | 2 | VF251-VF260 | | | |
| 514Z | | | D04809J | DED | | 34-61-23 | TE0182Y | DED | R2 | | | | | |
| 515 | 24 | PV | TE0182Y | C009 | BJ | 34-61-23 | D04809J | 9 | L2 | 3 | VA301-VA700, VB051-VB200, VB251-VB280, VB321-VB370, VB401-VB410, VB441-VB450, VE101VE170, VF001-VF010, VF021-VF060 | | | |
| 515 | 24 | PV | TE0182Y | C009 | BJ | 34-61-23 | D04809J | 9 | L2 | 3 | VF171-VF180 | | | |
| 515 | 24 | PV | TE0182Y | C009 | BJ | 34-61-23 | D04809J | 9 | L2 | 2 | VF251-VF260 | | | |
| 515Z | | | D04809J | DED | | 34-61-23 | TE0182Y | DED | R2 | | | | | |
| 516 | 24 | PV | TE0182Y | A010 | BJ | 34-61-23 | D04809J | 10 | L2 | 3 | VA301-VA700, VB051-VB200, VB251-VB280, VB321-VB370, VB401-VB410, VB441-VB450, VE101VE170, VF001-VF010, VF021-VF060 | | | |
| 516 | 24 | PV | TE0182Y | A010 | BJ | 34-61-23 | D04809J | 10 | L2 | 3 | VF171-VF180 | | | |
| 516Z | | | D04809J | DED | | 34-61-23 | TE0182Y | DED | R2 | | | | | |
| 518 | 22 | PA | D02676 | 43 | | 27-58-21 | GDX0002 | D.. 2 | R2 | 4 | VA301-VA700, VB051-VB200, VB251-VB280, VB321-VB370, VB401-VB410, VB441-VB450, VE101VE170, VF001-VF010, VF021-VF060, VF171-VF180 | | | |
| 518 | 22 | PA | D02676 | 43 | | 27-58-21 | GDX0002 | D.. 2 | R2 | 2 | VF251-VF260 | | | |

286T1080-102
Wire Bundle Assembly
Figure 110 (Sheet 37)

25-71-01

| WIRES | | FROM EQUIPMENT | | | TO EQUIPMENT | | | WIRE INFO | | | | | |
|--------|----|----------------|---------|------|--------------|----------|---------|-----------|----|---------|----|--------|--|
| NUMBER | GA | TYP | NUMBER | TERM | TT | WDM REF | NUMBER | TERM | TT | EMC/SEP | FT | NOTES | EFFECTIVITY |
| 521 | 22 | PA | D02676 | 29 | | 27-61-11 | D04887J | 27 | | R2 | 3 | | VA301-VA315, VA501-VA530, VB051-VB055, VB321-VB322, VB325-VB330, VB401-VB401, VE116VE117, VE141-VE146, VF051-VF051 |
| 521 | 22 | PA | D02676 | 29 | | 27-61-11 | TB0158D | C013 | 2 | R2 | 4 | | VA316-VA500, VB056-VB100, VB126-VB200, VB254-VB280, VE118-VE118, VE147-VE149 |
| 521 | 22 | PA | D02676 | 29 | | 27-61-11 | D04887J | 27 | | R2 | 4 | | VA531-VA700, VB402-VB410, VE105-VE115, VE119-VE120, VE127-VE140, VF003-VF010, VF021VF040, VF043-VF050, VF052-VF060 |
| 521 | 22 | PA | D02676 | 29 | | 27-61-11 | D04887J | 27 | | R2 | 4 | | VB101-VB125 |
| 521 | 22 | PA | D02676 | 29 | | 27-61-11 | TB0248D | C007 | 2 | R2 | 3 | MNU-F2 | VB251-VB253, VE121-VE126, VF001-VF002 |
| 521 | 22 | PA | D02676 | 29 | | 27-61-11 | TB0248D | C007 | 2 | R2 | 3 | MOT-F2 | |
| 521 | 22 | PA | D02676 | 29 | | 27-61-11 | TB0248D | C007 | 2 | R2 | 3 | ZSZ-B6 | |
| 521 | 22 | PA | D02676 | 29 | | 27-61-11 | TB0248D | C007 | 2 | R2 | 3 | MNU-F2 | VB323-VB324, VE101-VE104 |
| 521 | 22 | PA | D02676 | 29 | | 27-61-11 | D04887J | 27 | | R2 | 3 | MOT-F2 | |
| 521 | 22 | PA | D02676 | 29 | | 27-61-11 | D04887J | C007 | 2 | R2 | 3 | | VB331-VB370, VB441-VB450, VE150-VE170, VF171-VF180 |
| 521 | 22 | PA | D02676 | 29 | | 27-61-11 | TB0248D | C007 | 2 | R2 | 3 | | VF041-VF042 |
| 521 | 22 | PA | D02676 | 29 | | 27-61-11 | D04887J | 27 | | R2 | 1 | | VF251-VF260 |
| 523 | 22 | PA | D02676 | 26 | | 22-24-21 | D04887J | 1 | | R2 | 3 | | VA301-VA513, VA516-VA700, VB051-VB200, VB251-VB380, VB321-VB370, VB401-VB410, VB441VB450, VE101-VE170, VF001-VF010, VF021-VF060, VF171-VF180 |
| 523 | 22 | PA | D02676 | 26 | | 27-41-21 | D04887J | 1 | | R2 | 3 | | VA514-VA515 |
| 523 | 22 | PA | D02676 | 26 | | 22-24-21 | D04887J | 1 | | R2 | 1 | | VF251-VF260 |
| 524 | 24 | PK | TB0158F | A025 | 2 | 21-51-11 | D01876 | 10 | | R2 | 4 | | VA301-VA700, VB051-VB100, VB102-VB200, VB251-VB280, VB321-VB330, VB401-VB410, VE101VE120 |
| 524 | 24 | PK | TB0152F | A025 | 2 | 21-51-11 | D01876 | 10 | | R2 | 4 | ZSZ-B6 | VB101-VB101 |
| 524 | 24 | PK | TB0158F | A025 | 2 | 21-51-11 | D01876 | 4 | | R2 | 4 | | VB331-VB370, VB441-VB450, VE121-VE170, VF001-VF010, VF021-VF060, VF171-VF180 |
| 524 | 24 | PK | TB0158F | A025 | 2 | 21-51-11 | D01876 | 4 | | R2 | 3 | | VF251-VF260 |

286T1080-102
Wire Bundle Assembly
Figure 110 (Sheet 38)

25-71-01



BOEING
COMPONENT
MAINTENANCE MANUAL

| WIRE | | | FROM EQUIPMENT | | | TO EQUIPMENT | | | WIRE INFO | | | | |
|--------|----|-----|----------------|------|----|--------------|---------|------|-----------|---------|----|-------|---|
| NUMBER | GA | TYP | NUMBER | TERM | TT | WDM REF | NUMBER | TERM | TT | EMC/SEP | FT | NOTES | EFFECTIVITY |
| 525 | 24 | PK | D01868 | 3 | | 21-51-21 | TB0158G | 9 | 2 | R2 | 4 | | VA301-VA700, VB051-VB200, VB251-VB280, VB321-VB370, VB401-VB410, VB441-VB450, VE101VE170, VF001-VF010, VF021-VF060, VF171-VF180 |
| 525 | 24 | PK | D01868 | 3 | | 21-51-21 | TB0158G | 9 | 2 | R2 | 3 | | VF251-VF260 |
| 526 | 24 | PK | D01868 | 16 | | 21-51-21 | TB0158F | C025 | 2 | R2 | 4 | | VA301-VA700, VB051-VB200, VB251-VB280, VB321-VB370, VB401-VB410, VB441-VB450, VE101VE170, VF001-VF010, VF021-VF060, VF171-VF180 |
| 526 | 24 | PK | D01868 | 16 | | 21-51-21 | TB0158F | C025 | 2 | R2 | 3 | | VF251-VF260 |
| 527 | 24 | PK | D01868 | 37 | | 21-51-21 | D01876 | 8 | 3 | R2 | 3 | | VA301-VA700, VB051-VB200, VB251-VB280, VB321-VB330, VB401-VB410, VE101-VE120 |
| 527 | 24 | PK | D01868 | 37 | | 21-51-21 | D01876 | 38 | 3 | R2 | 3 | | VB331-VB370, VB441-VB450, VE121-VE170, VF001-VF010, VF021-VF060, VF171-VF180 |
| 527 | 24 | PK | D01868 | 37 | | 21-51-21 | D01876 | 38 | 1 | R2 | 1 | | VF251-VF260 |
| 528 | 24 | PK | D01868 | 38 | | 21-51-21 | D08032J | 4 | 4 | R2 | 4 | | VA301-VA700, VB051-VB200, VB251-VB280, VB321-VB370, VB401-VB410, VB441-VB450, VE101VE170, VF001-VF010, VF021-VF060, VF171-VF180 |
| 528 | 24 | PK | D01868 | 38 | | 21-51-21 | D08032J | 4 | 2 | R2 | 2 | | VF251-VF260 |
| 531 | 24 | PK | TB0182X | C015 | BJ | 73-21-16 | D08032J | 10 | 3 | R2 | 3 | | VA301-VA700, VB051-VB200, VB251-VB280, VB321-VB330, VB401-VB410, VE101-VE120 |
| 533 | 24 | PK | TB0182X | D012 | BJ | 73-21-17 | D08032J | 31 | 3 | R2 | 3 | | VA301-VA700, VB051-VB200, VB251-VB280, VB321-VB370, VB401-VB410, VB441-VB450, VE101VE170, VF001-VF010, VF021-VF060 |
| 533 | 24 | PK | TB0182X | D012 | BJ | 73-21-17 | D08032J | 31 | 3 | R2 | 3 | | VF171-VF180 |
| 533 | 24 | PK | TB0182X | D012 | BJ | 73-21-17 | D08032J | 31 | 2 | R2 | 2 | | VF251-VF260 |
| 534 | 24 | PK | D08032J | 30 | | 73-21-16 | TB0182X | A015 | BJ | R2 | 3 | | VA301-VA700, VB051-VB200, VB251-VB280, VB321-VB370, VB401-VB410, VB441-VB450, VE101VE170, VF001-VF010, VF021-VF060 |

286T1080-102
Wire Bundle Assembly
Figure 110 (Sheet 39)

25-71-01

| WIRE | | | FROM EQUIPMENT | | | TO EQUIPMENT | | | WIRE INFO | | | | |
|--------|----|-----|----------------|------|----|--------------|---------|------|-----------|-------------|----|---|-------------|
| NUMBER | GA | TYP | NUMBER | TERM | TT | WDM REF | NUMBER | TERM | TT | EMC/ SEP | FT | NOTES | EFFECTIVITY |
| 534 | 24 | PK | D08032J | 30 | | 73-21-16 | TB0182X | A015 | BJ | R2 | 3 | VF171-VF180 | |
| 534 | 24 | PK | D08032J | 30 | | 73-21-16 | TB0182X | A015 | BJ | R2 | 2 | VF251-VF260 | |
| 535 | 24 | PV | D08032J | 42 | | 73-21-11 | TB0182Y | A003 | BJ | R2 | 3 | VB331-VB370, VB441-VB450 | |
| 535 | 24 | PV | D08032J | 42 | | 73-21-11 | TB0182Y | A003 | BJ | R2 | 3 | VF171-VF180 | |
| 535 | 24 | PV | D08032J | 42 | | 73-21-11 | TB0182Y | A003 | BJ | R2 | 2 | VF251-VF260 | |
| 535Z | | | D08032J | 41 | | 73-21-11 | TB0182Y | C003 | BJ | R2 | | VB331-VB370, VB441-VB450 | |
| 535Z | | | D08032J | 41 | | 73-21-11 | TB0182Y | C003 | BJ | R2 | | VF171-VF180, VF251-VF260 | |
| 537 | 22 | PA | GDX0004 | D.. | 2 | 21-58-13 | D01872 | 11 | | R2 | 4 | VA301-VA315, VA501-VA519, VB051-VB055, VB102-VB123, VB251-VB253, VB321-VB324, VB401VB401, VE101-VE103, VE116-VE117 | |
| 538 | 24 | PK | D01868 | 30 | | 21-53-22 | TB0182X | C011 | BJ | R2 | 4 | VA301-VA700, VB051-VB200, VB251-VB280, VB321-VB370, VB401-VB410, VB441-VB450, VE101VE170, VF001-VF010, VF021-VF060, VF171-VF180 | |
| 538 | 24 | PK | D01868 | 30 | | 21-53-22 | TB0182X | C011 | BJ | R2 | 3 | VF251-VF260 | |
| 540 | 24 | PK | D08032J | 37 | | 21-58-11 | TB0182Y | C002 | BJ | R2 | 2 | VA301-VA700, VB051-VB200, VB251-VB280, VB321-VB370, VB401-VB410, VB441-VB450, VE101VE170, VF001-VF010, VF021-VF060 | |
| 540 | 24 | PK | D08032J | 37 | | 21-58-11 | TB0182Y | C002 | BJ | R2 | 2 | VF171-VF180 | |
| 541 | 24 | PK | D08032J | 57 | | 73-21-11 | TB0182X | A027 | BJ | R2 | 3 | VF251-VF260 | |
| 541 | 24 | PV | D08032J | 29 | | 73-21-11 | TB0182Y | A003 | BJ | R2 | 3 | VA301-VA700, VB051-VB200, VB251-VB280, VB321-VB330, VB401-VB410, VE101-VE120 | |
| 541 | 24 | PK | D08032J | 57 | | 73-21-11 | D08032J | 27 | | R2 | 3 | VB331-VB370, VB441-VB450 | |
| 541 | 24 | PK | D08032J | 57 | | 73-21-11 | D08032J | 27 | | R2 | 3 | VE121-VE126, VF041-VF042 | |
| 541 | 24 | PK | D08032J | 57 | | 73-21-11 | D08032J | 27 | | R2 | 3 | VE127-VE140, VE147-VE170, VF003-VF010, VF043-VF060 | |
| 541 | 24 | PK | D08032J | 57 | | 73-21-11 | TB0182Y | A006 | BJ | R2 | 3 | VE141-VE146, VF001-VF002 | |
| 541 | 24 | PK | D08032J | 57 | | 73-21-11 | SP03272 | | W | R2 | 3 | VF021-VF040 | |
| 541 | 24 | PV | D08032J | 29 | | 73-21-11 | TB0182Y | A003 | BJ | R2 | 3 | VF171-VF180 | |
| 541 | 24 | PV | D08032J | 29 | | 73-21-11 | TB0182Y | A003 | BJ | R2 | 2 | VF251-VF260 | |

286T1080-102
Wire Bundle Assembly
Figure 110 (Sheet 40)

25-71-01



BOEING
COMPONENT
MAINTENANCE MANUAL

| WIRE | | | FROM EQUIPMENT | | | TO EQUIPMENT | | | WIRE INFO | | | |
|--------|----|-----|----------------|---------|----------|--------------|---------|---------|-----------|--------|---|--|
| NUMBER | GA | TYP | NUMBER | TERM TT | WDM REF | NUMBER | TERM TT | EMC/SEP | FT | NOTES | EFFECTIVITY | |
| 541Z | | | D08032J | 28 | 73-21-11 | TB0182Y | C003 BJ | R2 | | | VB331-VB370, VB441-VB450 | |
| 541Z | | | D08032J | 28 | 73-21-11 | TB0182Y | C003 BJ | R2 | | | VF171-VF180, VF251-VF260 | |
| 542 | 24 | PK | D08032J | 58 | 73-21-11 | TB0248X | C001 BJ | R2 | 2 | | VA301-VA700, VB051-VB200, VB251-VB280, VB321-VB330, VB401-VB410, VE101-VE170, VF001VF010, VF021-VF060 | |
| 542 | 24 | PV | D08032J | 58 | 73-21-11 | TB0248X | D002 BJ | R2 | 2 | | VB331-VB370, VB441-VB450 | |
| 542 | 24 | PV | D08032J | 58 | 73-21-11 | TB0248X | D002 BJ | R2 | 2 | | VF171-VF180 | |
| 542Z | 24 | PV | D08032J | 55 | 73-21-11 | TB0248X | D002 BJ | R2 | 2 | | VF251-VF260 | |
| 542Z | 24 | PV | D08032J | 55 | 73-21-11 | TB0248X | C002 BJ | R2 | | | VB331-VB370, VB441-VB450 | |
| 543 | 24 | PK | D01872 | 11 | 21-58-12 | TB0182X | D028 BJ | R2 | 3 | | VF171-VF180, VF251-VF260 | |
| 543 | 22 | PA | D01872 | 11 | 21-58-12 | TB0248X | D6 BJ | R2 | 3 | ZSZ-B6 | VB101-VB101 | |
| 543 | 24 | PK | D01872 | 11 | 21-58-12 | TB0182X | D028 BJ | R2 | 2 | | VF251-VF260 | |
| 547 | 22 | PA | D08032J | 57 | 73-21-11 | D0552J | 56 | R2 | 2 | | VB331-VB370, VB441-VB450 | |
| 547 | 22 | PA | D08032J | 57 | 73-21-11 | D0552J | 56 | R2 | 2 | | VF171-VF180, VF251-VF260 | |
| 550 | 20 | PQ | D08032J | 13 | 73-21-14 | TB0248Y | C007 BJ | R2 | 3 | | VB331-VB370, VB441-VB450 | |
| 550 | 20 | PQ | D08032J | 13 | 73-21-14 | TB0248Y | C007 BJ | R2 | 3 | | VF171-VF180 | |
| 550 | 20 | PQ | D08032J | 13 | 73-21-14 | TB0248Y | C007 BJ | R2 | 2 | | VF251-VF260 | |
| 550Z | | | D08032J | 14 | 73-21-14 | TB0248Y | C008 BJ | R2 | | | VB331-VB370, VB441-VB450 | |
| 550Z | | | D08032J | 14 | 73-21-14 | TB0248Y | C008 BJ | R2 | | | VF171-VF180, VF251-VF260 | |
| 551 | 24 | PK | D08032J | 27 | 73-21-11 | TB0182Y | A006 BJ | R2 | 3 | | VE141-VE146, VF001-VF002 | |
| 551 | 24 | PK | D08032J | 27 | 73-21-11 | SP03272 | W | R2 | 3 | | VF021-VF040 | |
| 552 | 22 | PQ | D08032J | 60 | 73-21-11 | TB0248Y | A007 BJ | R2 | 3 | | VB331-VB370, VB441-VB450 | |
| 552 | 22 | PQ | D08032J | 60 | 73-21-11 | TB0248Y | A007 BJ | R2 | 3 | | VF171-VF180 | |
| 552 | 22 | PQ | D08032J | 60 | 73-21-11 | TB0248Y | A007 BJ | R2 | 2 | | VF251-VF260 | |
| 552Z | | | D08032J | 60 | 73-21-11 | TB0248Y | A008 BJ | R2 | | | VB331-VB370, VB441-VB450 | |

286T1080-102
Wire Bundle Assembly
Figure 110 (Sheet 41)

25-71-01

| WIRE | | | FROM EQUIPMENT | | | | TO EQUIPMENT | | | | WIRE INFO | | | |
|--------|----|-----|----------------|------|----|----------|--------------|------|----|-----------|-----------|------------------|--|--|
| NUMBER | GA | TYP | NUMBER | TERM | TT | WDM REF | NUMBER | TERM | TT | EMC / SEP | FT | NOTES | EFFECTIVITY | |
| 552Z | | | D08032J | | | 73-21-11 | TB0248Y | A008 | BJ | R2 | | | VF171-VF180, VF251-VF260 | |
| 553 | 22 | PA | D08032J | 61 | | 73-21-11 | D05552J | 57 | | R2 | 2 | | VB331-VB370, VB441-VB450 | |
| 553 | 22 | PA | D08032J | 61 | | 73-21-11 | D05552J | 57 | | R2 | 2 | | VF171-VF180, VF251-VF260 | |
| 554 | 22 | PQ | D08032J | 1 | | 73-21-11 | TB0248Y | A007 | BJ | R2 | 3 | | VB331-VB370, VB441-VB450 | |
| 554 | 22 | PQ | D08032J | 1 | | 73-21-11 | TB0248Y | A007 | BJ | R2 | 3 | | VF171-VF180 | |
| 554Z | 22 | PQ | D08032J | 1 | | 73-21-11 | TB0248Y | A007 | BJ | R2 | 2 | | VF251-VF260 | |
| 554Z | 22 | PQ | D08032J | | | 73-21-11 | TB0248Y | A008 | BJ | R2 | | | VB331-VB370, VB441-VB450 | |
| 556 | 22 | PQ | D05552J | 41 | | 73-21-11 | TB0248Y | A008 | BJ | R2 | | | VF171-VF180, VF251-VF260 | |
| 556 | 22 | PQ | D05552J | 41 | | 73-21-11 | TB0248Y | A007 | BJ | R2 | 3 | | VB331-VB370, VB441-VB450 | |
| 556 | 22 | PQ | D05552J | 41 | | 73-21-11 | TB0248Y | A007 | BJ | R2 | 3 | | VF171-VF180 | |
| 556Z | 22 | PQ | D05552J | 19 | | 73-21-11 | TB0248Y | A007 | BJ | R2 | 2 | | VF251-VF260 | |
| 556Z | 22 | PQ | D05552J | 19 | | 73-21-11 | TB0248Y | A008 | BJ | R2 | | | VB331-VB370, VB441-VB450 | |
| 559 | 22 | PA | D04887J | 27 | | 27-61-11 | TB0158D | A013 | 2 | R2 | 3 | | VA316-VA500, VB056-VB100, VB126-VB200, VB254-VB280, VE118-VE118, VE147-VE149 | |
| 559 | 22 | PA | D04887J | 27 | | 27-61-11 | TB0248D | A007 | 2 | R2 | 3 | MLA-F2 MNU-T2 | VB251-VB253, VE121-VE126, VF001-VF002 | |
| 559 | 22 | PA | D04887J | 27 | | 27-61-11 | TB0248D | A007 | 2 | R2 | 3 | ZSZ-B6 | VB323-VB324, VE101-VE104 | |
| 559 | 22 | PA | D04887J | 27 | | 27-61-11 | TB0248D | A007 | 2 | R2 | 3 | MNU-T2 | VF041-VF042 | |
| 560 | 22 | PA | D04887J | 27 | | 27-61-11 | TB0248D | A007 | 2 | R2 | 3 | | VA316-VA500, VB056-VB100, VB126-VB200, VB254-VB280, VE118-VE118, VE147-VE149 | |
| 560 | 22 | PA | TB0158D | C013 | 2 | 27-61-11 | TB0158D | C014 | 2 | R2 | 3 | | VB251-VB253, VE121-VE126, VF001-VF002 | |
| 560 | 22 | PA | TB0248D | C007 | 2 | 27-61-11 | TB0248D | C008 | 2 | R2 | 2 | MNU-B2 | | |
| 560 | 22 | PA | TB0248D | C007 | 2 | 27-61-11 | TB0248D | C008 | 2 | R2 | 2 | ZSZ-B6 | | |
| 560 | 22 | PA | TB0248D | C007 | 2 | 27-61-11 | TB0248D | C008 | 2 | R2 | 2 | MNU-B2 | VB323-VB324, VE101-VE104 | |
| 560 | 22 | PA | TB0248D | C007 | 2 | 27-61-11 | TB0248D | C008 | 2 | R2 | 2 | | VF041-VF042 | |

 286T1080-102
 Wire Bundle Assembly
 Figure 110 (Sheet 42)

25-71-01

 TESTING & FAULT ISOLATION
 01 Page 132Z
 Nov 01/02



BOEING
COMPONENT
MAINTENANCE MANUAL

| WIRE | | | FROM EQUIPMENT | | | | TO EQUIPMENT | | | | WIRE INFO | | | |
|--------|----|-----|----------------|------|----|----------|--------------|------|----|---------|-----------|--------|---|--|
| NUMBER | GA | TYP | NUMBER | TERM | TT | WDM REF | NUMBER | TERM | TT | EMC/SEP | FT | NOTES | EFFECTIVITY | |
| 600 | 22 | PA | D02676 | 44 | | 27-41-21 | D04887J | 26 | | R2 | 3 | | VA301-VA700,VB051-VB200,VB3251-VB280,VB321-VB370,VB402-VB410,VB441-VB450,VE101VE170,VF001-VF010,VF021-VF060,VF171-VF180 | |
| 600 | 22 | PA | D02676 | 44 | | 27-41-21 | D04887J | 26 | | R2 | 1 | | VF251-VF260 | |
| 618 | 24 | PK | D05644J | 11 | | 21-58-11 | TB0158F | C011 | 2 | R2 | 2 | | VF251-VF260 | |
| 701 | 22 | PA | TB0182Y | C001 | BJ | 21-51-21 | D08032J | 54 | | R2 | 3 | | VA301-VA700,VB051-VB200,VB251-VB280,VB321-VB370,VB401-VB410,VB441-VB450,VE101VE170,VF001-VF010,VF021-VF060 | |
| 701 | 22 | PA | TB0182Y | C001 | BJ | 21-51-21 | D08032J | 54 | | R2 | 3 | | VF171-VF180 | |
| 701 | 22 | PA | TB0182Y | C001 | BJ | 21-51-21 | D08032J | 54 | | R2 | 2 | | VF251-VF260 | |
| 702 | 24 | PK | D08032J | 55 | | 74-31-21 | D02676 | 58 | | R2 | 3 | | VA500-VA500,VA700-VA700 | |
| 704 | 24 | PK | D05552J | 25 | | 21-58-11 | TB0158F | C011 | 2 | R2 | 5 | ZSZ-B6 | VA509-VA513,VB051-VB055,VB111-VB121,VB323-VB324 | |
| 706 | 24 | PK | D08032J | 51 | | 30-31-21 | TB0248Y | A014 | BJ | R2 | 3 | | VA301-VA700,VB051-VB200,VB251-VB280,VB321-VB370,VB401-VB410,VB441-VB450,VE101VE170,VF001-VF010,VF021-VF060 | |
| 706 | 24 | PK | D08032J | 51 | | 30-31-21 | TB0248Y | A014 | BJ | R2 | 3 | | VF171-VF180 | |
| 706 | 24 | PK | D08032J | 51 | | 30-31-21 | TB0248Y | A014 | BJ | R2 | 2 | | VF251-VF260 | |
| 708 | 24 | PK | D01870 | 24 | | 21-51-13 | D05552J | 5 | | R2 | 4 | | VA301-VA700,VB051-VB200,VB251-VB280,VB321-VB370,VB401-VB410,VB441-VB450,VE101VE170,VF001-VF010,VF021-VF060,VF171-VF180 | |
| 708 | 24 | PK | D01870 | 24 | | 21-51-13 | D05552J | 5 | | R2 | 2 | | VF251-VF260 | |
| 712 | 24 | PK | D01874 | 2 | | 21-25-11 | TB0248D | A020 | 2 | R2 | 4 | | VA301-VA700,VB051-VB100,VB102-VB200,VB251-VB280,VB321-VB370,VB401-VB410,VB441-VB450,VE101-VE170,VF001-VF010,VF021-VF060,VF171-VF180 | |
| 712 | 24 | PK | D01874 | 2 | | 21-25-11 | TB0248D | A020 | 2 | R2 | 2 | | VF251-VF260 | |

286T1080-102
Wire Bundle Assembly
Figure 110 (Sheet 43)

25-71-01

TESTING & FAULT ISOLATION

01

Page 133

Nov 01/02

| WIRE | | FROM EQUIPMENT | | | TO EQUIPMENT | | | WIRE INFO | | | | | |
|--------|----|----------------|---------|------|--------------|----------|---------|-----------|----|---------|----|-------|---|
| NUMBER | GA | TYP | NUMBER | TERM | TT | WDM REF | NUMBER | TERM | TT | EMC/SEP | FT | NOTES | EFFECTIVITY |
| 713 | 24 | PK | TB0248D | C020 | 2 | 21-25-11 | TB0248Y | C010 | BJ | R2 | 3 | | VA301-VA700, VB051-VB100, VB102-VB200, VB251-VB280, VB321-VB370, VB401-VB410, VB441VB450, VE101-VE170, VF001-VF010, VF021-VF060 |
| 713 | 24 | PK | TB0248D | C020 | 2 | 21-25-11 | TB0248Y | C010 | BJ | R2 | 3 | | VF171-VF180 |
| 713 | 24 | PK | TB0248D | C020 | 2 | 21-25-11 | TB0248Y | C010 | BJ | R2 | 3 | | VF251-VF260 |
| 714 | 22 | PA | D08032J | 53 | | 73-21-19 | D02676 | 28 | | R2 | 3 | | VA301-VA700, VB051-VB200, VB251-VB280, VB321-VB370, VB401-VB410, VB441-VB450, VE101VE170, VF001-VF010, VF021-VF060, VF171-VF180 |
| 714 | 22 | PA | D08032J | 53 | | 73-21-19 | D02676 | 28 | | R2 | 2 | | VF251-VF260 |
| 715 | 22 | PA | D05766J | 15 | | 24-51-52 | TB0248X | A015 | BJ | R2 | 3 | | VA301-VA700, VB051-VB200, VB251-VB280, VB321-VB370, VB401-VB410, VB441-VB450, VE101VE170, VF001-VF010, VF021-VF060 |
| 715 | 22 | PA | D05766J | 15 | | 24-51-52 | TB0248X | A015 | BJ | R2 | 2 | | VF171-VF180 |
| 715 | 22 | PA | D05766J | 15 | | 24-51-52 | TB0248X | A015 | BJ | R2 | 2 | | VF251-VF260 |
| 716 | 22 | PA | D05766J | 16 | | 24-51-52 | TB0248X | B015 | BJ | R2 | 3 | | VA301-VA700, VB101-VB200, VB251-VB280, VB321-VB370, VB401-VB410, VB441-VB450, VE101VE170, VF001-VF010, VF021-VF060 |
| 716 | 24 | PK | D05766J | 16 | | 24-51-52 | TB0248X | B015 | BJ | R2 | 3 | | VB051-VB100 |
| 716 | 22 | PA | D05766J | 16 | | 24-51-52 | TB0248X | B015 | BJ | R2 | 3 | | VF171-VF180 |
| 716 | 22 | PA | D05766J | 16 | | 24-51-52 | TB0248X | B015 | BJ | R2 | 2 | | VF251-VF260 |
| 717 | 22 | PA | D02176 | 14 | | 21-58-15 | GDX0004 | D.. | 2 | R2 | 4 | | VA301-VA315, VA501-VA519, VB051-VB055, VB102-VB123, VB251-VB253, VB321-VB324, VB401VB401, VE101-VE103, VE116-VE117 |
| 718 | 22 | PA | D05766J | 17 | | 24-51-52 | TB0248X | C015 | BJ | R2 | 3 | | VA301-VA700, VB051-VB200, VB251-VB280, VB321-VB370, VB401-VB410, VB441-VB450, VE101VE170, VF001-VF010, VF021-VF060 |
| 718 | 22 | PA | D05766J | 17 | | 24-51-52 | TB0248X | C015 | BJ | R2 | 3 | | VF171-VF180 |
| 718 | 22 | PA | D05766J | 17 | | 24-51-52 | TB0248X | C015 | BJ | R2 | 2 | | VF251-VF260 |

 286T1080-102
 Wire Bundle Assembly
 Figure 110 (Sheet 44)

25-71-01

 TESTING & FAULT ISOLATION
 01

 Page 134
 Nov 01/02



BOEING
COMPONENT
MAINTENANCE MANUAL

| WIRE | | | FROM EQUIPMENT | | | TO EQUIPMENT | | | WIRE INFO | | | | |
|--------|----|-----|----------------|------|----|--------------|---------|------|-----------|-----------|----|-------|--|
| NUMBER | GA | TYP | NUMBER | TERM | TT | WDM REF | NUMBER | TERM | TT | EMC / SEP | FT | NOTES | EFFECTIVITY |
| 719 | 22 | PA | D05766J | 18 | | 24-51-52 | TB0248X | D015 | BJ | R2 | 3 | | VA301-VA700, VB051-VB200, VB251-VB280, VB321-VB370, VB401-VB410, VB441-VB450, VE101VE170, VF001-VF010, VF021-VF060 |
| 719 | 22 | PA | D05766J | 18 | | 24-51-52 | TB0248X | D015 | BJ | R2 | 3 | | VF171-VF180 |
| 719 | 22 | PA | D05766J | 18 | | 24-51-52 | TB0248X | D015 | BJ | R2 | 2 | | VF251-VF260 |
| 720 | 24 | PK | D02176 | 24 | | 21-24-11 | TB0182X | A018 | BJ | R2 | 4 | | VA301-VA500, VE101-VE117 |
| 721 | 24 | PK | D02176 | 1 | | 21-24-11 | TB0248Y | A013 | BJ | R2 | 4 | | VA301-VA500 |
| 722 | 22 | PA | D02176 | 25 | | 21-24-11 | TB0182X | B018 | BJ | R2 | 4 | | VA301-VA500 |
| 722 | 24 | PK | D02176 | 25 | | 21-24-11 | TB0182X | B018 | BJ | R2 | 3 | | VE141-VE170 |
| 723 | 24 | PK | D02176 | 23 | | 21-24-11 | TB0182X | C018 | BJ | R2 | 4 | | VA301-VA500 |
| 723 | 24 | PK | D02176 | 23 | | 21-24-11 | TB0182X | C018 | BJ | R2 | 3 | | VE141-VE170 |
| 724 | 24 | PK | D02176 | 22 | | 21-24-11 | TB0182X | D018 | BJ | R2 | 4 | | VA301-VA500 |
| 725 | 22 | PA | D02176 | 22 | | 21-24-11 | TB0182X | D018 | BJ | R2 | 4 | | VE141-VE170 |
| 725 | 22 | PA | D02176 | 3 | | 21-24-11 | GDX0004 | D.. | 2 | R2 | 4 | | VA301-VA500 |
| 725 | 22 | PA | D02176 | 3 | | 21-24-11 | GDX0004 | D.. | 2 | R2 | 3 | | VE141-VE170 |
| 726 | 22 | PA | D02176 | 4 | | 21-24-11 | GDX0004 | D.. | 2 | R2 | 4 | | VA301-VA500 |
| 726 | 22 | PA | D02176 | 4 | | 21-24-11 | GDX0004 | D.. | 2 | R2 | 3 | | VE141-VE170 |
| 728 | 24 | PK | D02176 | 24 | | 21-24-11 | TB0182X | A018 | BJ | R2 | 3 | | VA301-VA500 |
| 729 | 24 | PK | D02176 | 1 | | 21-24-11 | TB0248Y | A013 | BJ | R2 | 3 | | VE141-VE170 |
| 730 | 24 | PK | D08032J | 3 | | 73-21-15 | TB0182X | D014 | BJ | R2 | 3 | | VA301-VA700, VB051-VB200, VB251-VB280, VB321-VB370, VB401-VB410, VB441-VB450, VE101VE170, VF001-VF010, VF021-VF060 |
| 730 | 24 | PK | D08032J | 3 | | 73-21-15 | TB0182X | D014 | BJ | R2 | 3 | | VF171-VF180 |
| 730 | 24 | PK | D08032J | 3 | | 73-21-15 | TB0182X | D014 | BJ | R2 | 2 | | VF251-VF260 |
| 731 | 20 | PA | D05766J | 27 | | 36-11-52 | SM00002 | | W | R2 | 3 | | VB333-VB370, VB441-VB450 |
| 731 | 20 | PA | D05766J | 27 | | 36-11-52 | SM00002 | | W | R2 | 2 | | VE127-VE140, VE152-VE170, VF003-VF010, VF043-VF050, VF052-VF060 |
| 731 | 20 | PA | D05766J | 27 | | 36-11-52 | SM00002 | | W | R2 | 2 | | VF171-VF180 |
| 731 | 20 | PA | D05766J | 27 | | 36-11-52 | SM00002 | | W | R2 | 1 | | VF251-VF260 |

286T1080-102
Wire Bundle Assembly
Figure 110 (Sheet 45)

25-71-01

TESTING & FAULT ISOLATION
01

Page 134A
Nov 01/02



COMPONENT
MAINTENANCE MANUAL

| WIRE | | FROM EQUIPMENT | | | TO EQUIPMENT | | | WIRE INFO | | | | | |
|--------|----|----------------|---------|------|--------------|----------|---------|-----------|----|---------|----|-------|--|
| NUMBER | GA | TYP | NUMBER | TERM | TT | WDM REF | NUMBER | TERM | TT | EMC/SEP | FT | NOTES | EFFECTIVITY |
| 740 | 24 | PK | D05644J | 25 | | 36-11-52 | SM00001 | | W | R2 | 3 | | VA301-VA700, VB051-VB200, VB251-VB280, VB321-VB370, VB401-VB410, VB441-VB450, VE101VE170, VF001-VF010, VF021-VF060 |
| 740 | 24 | PK | D05644J | 25 | | 36-11-52 | SM00001 | | W | R2 | 3 | | VF171-VF180 |
| 740 | 24 | PK | D05644J | 25 | | 36-11-52 | SM00001 | | W | R2 | 1 | | VF251-VF260 |
| 741 | 24 | PK | D01876 | 19 | | 36-11-52 | SM00001 | | W | R2 | 3 | | VA301-VA700, VB051-VB200, VB251-VB280, VB321-VB330, VB401-VB410, VE101-VE120 |
| 741 | 24 | PK | D01876 | 54 | | 36-11-52 | SM00001 | | W | R2 | 3 | | VB331-VB370, VB441-VB450, VE121-VE170, VF001-VF010, VF021-VF060, VF171-VF180 |
| 741 | 24 | PK | D01876 | 54 | | 36-11-52 | SM00001 | | W | R2 | 1 | | VF251-VF260 |
| 742 | 22 | PA | D05644J | 34 | | 36-11-52 | SM00002 | | W | R2 | 3 | | VA301-VA700, VB051-VB200, VB251-VB280, VB321-VB370, VB401-VB410, VB441-VB450, VE101VE170, VF001-VF010, VF021-VF060 |
| 742 | 22 | PA | D05644J | 34 | | 36-11-52 | SM00002 | | W | R2 | 3 | | VF171-VF180 |
| 743 | 22 | PA | D01876 | 1 | | 36-11-52 | SM00002 | | W | R2 | 1 | | VF251-VF260 |
| 743 | 22 | PA | D01876 | 59 | | 36-11-52 | SM00002 | | W | R2 | 3 | | VA301-VA700, VB051-VB200, VB251-VB280, VB321-VB330, VB401-VB410, VE101-VE120 |
| 743 | 22 | PA | D01876 | 59 | | 36-11-52 | SM00002 | | W | R2 | 3 | | VB331-VB370, VB441-VB450, VE121-VE170, VF001-VF010, VF021-VF060, VF171-VF180 |
| 743 | 22 | PA | D01876 | 59 | | 36-11-52 | SM00002 | | W | R2 | 1 | | VF251-VF260 |
| 744 | 22 | PA | D05766J | 3 | | 36-11-52 | SM00003 | | W | R2 | 3 | | VA301-VA700, VB051-VB200, VB251-VB280, VB321-VB330, VB401-VB410, VE101-VE120 |
| 745 | 22 | PA | D01876 | 36 | | 36-11-52 | SM00003 | | W | R2 | 3 | | VA301-VA700, VB051-VB200, VB251-VB280, VB321-VB330, VB401-VB410, VE101-VE120 |
| 745 | 22 | PA | D01876 | 11 | | 36-11-52 | D05766J | 3 | | R2 | 3 | | VB331-VB370, VB441-VB450, VE121-VE170, VF001-VF010, VF021-VF060, VF171-VF180 |
| 745 | 22 | PA | D01876 | 11 | | 36-11-52 | D05766J | 3 | | R2 | 2 | | VF251-VF260 |
| 746 | 22 | PA | D01876 | 31 | | 36-11-52 | SM00004 | | W | R2 | 3 | | VA301-VA700, VB051-VB200, VB251-VB280, VB321-VB330, VB401-VB410, VE101-VE120 |

286T1080-102
Wire Bundle Assembly
Figure 110 (Sheet 46)

25-71-01



BOEING
COMPONENT
MAINTENANCE MANUAL

| WIRES | | | FROM EQUIPMENT | | | | TO EQUIPMENT | | | | WIRE INFO | | | |
|--------|----|-----|----------------|------|----|----------|--------------|------|----|---------|-----------|-------|--|--|
| NUMBER | GA | TYP | NUMBER | TERM | TT | WDM REF | NUMBER | TERM | TT | EMC/SEP | FT | NOTES | EFFECTIVITY | |
| 746 | 22 | PA | D01876 | 46 | | 36-11-52 | D05766J | 2 | | R2 | 3 | | VB331-VB370,VB441-VB450,VE121-VE170,VF001-VF010,VF021-VF060,VF171-VF180 VF251-VF260 | |
| 746 | 22 | PA | D01876 | 46 | | 36-11-52 | D05766J | 2 | | R2 | 2 | | VA301-VA700,VB051-VB200,VB251-VB280,VB321-VB330,VB401-VB410,VE101-VE120 | |
| 747 | 22 | PA | D05766J | 2 | | 36-11-52 | SM00004 | | W | R2 | 3 | | VA301-VA700,VB051-VB200,VB251-VB280,VB321-VB330,VB401-VB410,VE101-VE120 | |
| 748 | 22 | PA | SM00005 | | W | 36-11-62 | D01876 | 9 | | R2 | 3 | | VA301-VA700,VB051-VB200,VB251-VB280,VB321-VB330,VB401-VB410,VE101-VE120 | |
| 749 | 22 | PA | SM00005 | | W | 36-11-62 | D01876 | 29 | | R2 | 3 | | VA301-VA700,VB051-VB200,VB251-VB280,VB321-VB330,VB401-VB410,VE101-VE120 | |
| 750 | 22 | PA | SM00006 | | W | 36-11-62 | D01876 | 27 | | R2 | 3 | | VA301-VA700,VB051-VB200,VB251-VB280,VB321-VB330,VB401-VB410,VE101-VE120 | |
| 751 | 22 | PA | SM00006 | | W | 36-11-62 | D01876 | 6 | | R2 | 3 | | VA301-VA700,VB051-VB200,VB251-VB280,VB321-VB330,VB401-VB410,VE101-VE120 | |
| 752 | 24 | PK | D01876 | 25 | | 36-11-62 | D05766J | 12 | | R2 | 3 | | VA301-VA700,VB051-VB200,VB251-VB280,VB321-VB330,VB401-VB410,VE101-VE120 | |
| 752 | 24 | PK | D01876 | 19 | | 36-11-62 | D05766J | 12 | | R2 | 3 | | VA301-VA700,VB051-VB200,VB251-VB280,VB321-VB330,VB401-VB410,VE101-VE120 | |
| 752 | 24 | PK | D01876 | 19 | | 36-11-62 | D05766J | 12 | | R2 | 2 | | VA301-VA700,VB051-VB200,VB251-VB280,VB321-VB330,VB401-VB410,VE101-VE120 | |
| 753 | 22 | PA | D01876 | 35 | | 36-22-11 | TB0248Y | C009 | BJ | R2 | 4 | | VA301-VA700,VB051-VB200,VB251-VB280,VB321-VB330,VB401-VB410,VE101-VE120 | |
| 753 | 22 | PA | D01876 | 3 | | 36-22-11 | TB0248Y | C009 | BJ | R2 | 4 | | VA301-VA700,VB051-VB200,VB251-VB280,VB321-VB330,VB401-VB410,VE101-VE120 | |
| 753 | 22 | PA | D01876 | 3 | | 36-22-11 | TB0248Y | C009 | BJ | R2 | 3 | | VA301-VA700,VB051-VB200,VB251-VB280,VB321-VB330,VB401-VB410,VE101-VE120 | |
| 754 | 24 | PK | TB0182Y | A001 | BJ | 21-58-11 | D08032J | 42 | | R2 | 2 | | VA301-VA700,VB051-VB200,VB251-VB280,VB321-VB330,VB401-VB410,VE101-VE120 | |
| 755 | 24 | PK | D05644J | 8 | | 21-58-11 | D01872 | 2 | | R2 | 3 | | VA501-VA519 | |
| 755 | 24 | PK | D05644J | 9 | | 21-58-11 | D01872 | 2 | | R2 | 3 | | VA520-VA700 | |
| 764 | 24 | PK | D08032J | 48 | | 73-21-11 | TB0182G | 24 | 2 | R2 | 2 | | VE121-VE170,VF001-VF010,VF021-VF060 | |
| 765 | 24 | PK | D04809J | 15 | | 27-32-31 | TB0182D | A022 | 2 | R2 | 3 | | VB051-VB055,VB321-VB322,VB401-VB401,VE116-VE116 | |

286T1080-102
Wire Bundle Assembly
Figure 110 (Sheet 47)

25-71-01

| WIRE | | | FROM EQUIPMENT | | | | TO EQUIPMENT | | | | WIRE INFO | | | |
|--------|----|-----|----------------|------|----|----------|--------------|------|----|---------|-----------|-------|---|--|
| NUMBER | GA | TYP | NUMBER | TERM | TT | WDM REF | NUMBER | TERM | TT | EMC/SEP | FT | NOTES | EFFECTIVITY | |
| 766 | 24 | PK | D02676 | 24 | | 21-51-21 | TB0182D | C021 | 2 | R2 | 4 | | VA301-VA500, VA520-VA700, VB056-VB100, VB124-VB200, VB254-VB280, VB325-VB330, VB402VB410, VE104-VE115, VE121-VE146, VF001-VF010, VF021-VF060 | |
| 766 | 24 | PK | D02676 | 24 | | 27-58-21 | TB0182D | C021 | 2 | R2 | 4 | | VA501-VA519, VB051-VB055, VB101-VB123, VB251-VB253, VB321-VB324, VB401-VB401, VE101-VE103, VE116VE117 | |
| 767 | 24 | PK | TB0182D | C022 | 2 | 27-58-21 | TB0182D | C021 | 2 | R2 | 2 | | VA501-VA519, VB051-VB055, VB251-VB253, VB321-VB324, VB401-VB401, VE101-VE103, VE116VE117 | |
| 768 | 24 | PK | D08032J | 40 | | 21-58-11 | TB0158G | 2 | 2 | R2 | 2 | | VA301-VA315, VA501-VA530, VB051-VB055, VB101-VB125, VB251-VB253, VB321-VB330, VB401VB401, VE101-VE104, VE116-VE117, VE121-VE126, VE141-VE146, VF001VF002, VF041-VF042, VF051-VF051 | |
| 768 | 24 | PK | D08032J | 40 | | 21-58-11 | TB0158Y | C003 | BJ | R2 | 3 | | VA316-VA500, VA531-VA700, VB056-VB100, VB126-VB200, VB254-VB280, VB331-VB370, VB402VB410, VB441-VB450, VE105-VE115, VE118-VE120, VE127-VE140, VE147VE170, VF003-VF010, VF021-VF040, VF043-VF050, VF052VF060 | |
| 768 | 24 | PK | D08032J | 40 | | 21-58-11 | TB0158Y | C003 | BJ | R2 | 3 | | VF171-VF180 | |
| 768 | 24 | PK | D08032J | 40 | | 21-58-11 | TB0158Y | C003 | BJ | R2 | 2 | | VF251-VF260 | |
| 769 | 24 | PK | D02676 | 52 | | 27-51-11 | D08032J | 36 | | R2 | 3 | | VA301-VA700, VB051-VB200, VB251-VB280, VB321-VB370, VB401-VB410, VB441-VB450, VE101VE170, VF001-VF010, VF021-VF060, VF171-VF180 | |
| 769 | 24 | PK | D02676 | 52 | | 27-51-11 | D08032J | 36 | | R2 | 2 | | VF251-VF260 | |
| 775 | 24 | PK | D01872 | 8 | | 21-58-11 | TB0158D | A027 | 2 | R2 | 3 | | VA301-VA315, VA501-VA519, VB051-VB055, VB102-VB123, VB251-VB253, VB321-VB324, VB401VB401, VE101-VE103, VE116-VE117 | |

 286T1080-102
 Wire Bundle Assembly
 Figure 110 (Sheet 48)

25-71-01



BOEING
COMPONENT
MAINTENANCE MANUAL

| WIRE | | | FROM EQUIPMENT | | | | TO EQUIPMENT | | | | WIRE INFO | | | |
|--------|----|-----|----------------|------|----|----------|--------------|------|----|---------|-----------|--------|--|--|
| NUMBER | GA | TYP | NUMBER | TERM | TT | WDM REF | NUMBER | TERM | TT | EMC/SEP | FT | NOTES | EFFECTIVITY | |
| 775 | 24 | PK | D01872 | 8 | | 21-58-11 | GDX0002 | D.. | 2 | R2 | 4 | | VA316-VA500, VA520-VA700, VB056-VB100, VB124-VB200, VB254-VB280, VB325-VB370, VB402VB410, VB441-VB450, VE104-VE115, VE118-VE170, VF001-VF010, VF021-VF060, VF171-VF180 | |
| 775 | 22 | PA | D01872 | 8 | | 21-58-11 | GDX0002 | D.. | 2 | R2 | 3 | ZSZ-B6 | VB101-VB101 | |
| 775 | 24 | PK | D01872 | 8 | | 21-58-11 | GDX0002 | D.. | 2 | R2 | 2 | | VF251-VF260 | |
| 776 | 24 | PK | D05644J | 33 | | 21-26-11 | TB0158F | A020 | 2 | R2 | 3 | ZSZ-B6 | VA301-VA310, VB251-VB253 | |
| 776 | 24 | PK | D05644J | 33 | | 21-26-11 | TB0158F | A020 | 2 | R2 | 3 | | VA311-VA700, VB051-VB100, VB105-VB200, VB254-VB280, VB321-VB370, VB401-VB410, VB441VB450, VE101-VE170, VF001-VF010, VF021-VF060 | |
| 776 | 22 | PA | D08068J | 54 | | 21-58-19 | TB0158F | A20 | 2 | R2 | 5 | ZSZ-B6 | VB101-VB101 | |
| 776 | 24 | PK | D05644J | 33 | | 21-26-11 | TB0158F | A020 | 2 | R2 | 3 | | VF171-VF180 | |
| 776 | 24 | PK | D05644J | 33 | | 21-26-11 | TB0158F | A020 | 2 | R2 | 2 | | VF251-VF260 | |
| 777 | 24 | PK | D05552J | 57 | | 21-58-11 | TB0182Y | C002 | BJ | R2 | 2 | | VA501-VA508, VB051-VB054 | |
| 777 | 24 | PK | D05552J | 57 | | 21-58-11 | TB0182Y | C002 | BJ | R2 | 2 | | VA509-VA513, VB055-VB055, VB111-VB121, VB323-VB324 | |
| 778 | 24 | PK | D05552J | 53 | | 73-21-15 | TB0248X | C012 | BJ | R2 | 2 | | VA316-VA500, VA509-VA700, VB055-VB100, VB111-VB200, VB254-VB280, VB323-VB370, VB401VB410, VB441-VB450, VE101-VE170, VF001-VF010, VF021-VF060 | |
| 778 | 24 | PK | D05552J | 53 | | 73-21-15 | TB0248X | C012 | BJ | R2 | 2 | | VA501-VA508, VB051-VB054 | |
| 778 | 24 | PK | D05552J | 53 | | 73-21-15 | TB0248X | C012 | BJ | R2 | 5 | | VB101-VB110 | |
| 778 | 24 | PK | D05552J | 53 | | 73-21-15 | TB0248X | C012 | BJ | R2 | 2 | | VF171-VF180 | |
| 778 | 24 | PK | D05552J | 53 | | 73-21-15 | TB0248X | C012 | BJ | R2 | 2 | | VF251-VF260 | |
| 779 | 24 | PK | D05552J | 52 | | 73-21-15 | TB0248X | D012 | BJ | R2 | 2 | | VA316-VA500, VA509-VA700, VB055-VB100, VB111-VB200, VB254-VB280, VB323-VB370, VB401VB410, VB441-VB450, VE101-VE170, VF001-VF010, VF021-VF060 | |

286T1080-102
Wire Bundle Assembly
Figure 110 (Sheet 49)

25-71-01

| WIRE | | FROM EQUIPMENT | | | TO EQUIPMENT | | | WIRE INFO | | | | | |
|--------|----|----------------|---------|------|--------------|----------|---------|-----------|----|---------|----|--------|--|
| NUMBER | GA | TYP | NUMBER | TERM | TT | WDM REF | NUMBER | TERM | TT | EMC/SEP | FT | NOTES | EFFECTIVITY |
| 779 | 24 | PK | D05552J | 52 | | 73-21-15 | TB0248X | D012 | BJ | R2 | 2 | | VA501-VA508, VB051-VB054 |
| 779 | 24 | PK | D05552J | 52 | | 73-21-15 | TB0248X | D012 | BJ | R2 | 5 | | VB101-VB110 |
| 779 | 24 | PK | D05552J | 52 | | 73-21-15 | TB0248X | D012 | BJ | R2 | 2 | | VF171-VF180 |
| 779 | 24 | PK | D05552J | 52 | | 73-21-15 | TB0248X | D012 | BJ | R2 | 2 | | VF251-VF260 |
| 780 | 24 | PK | D05552J | 55 | | 73-21-15 | TB0158F | C015 | 2 | R2 | 3 | | VA316-VA500, VA509-VA700, VB055-VB100, VB111-VB200, VB254-VB280, VB323-VB370, VB401VB410, VB441-VB450, VE101-VE170, VF001-VF010, VF021-VF060 |
| 780 | 24 | PK | D05552J | 55 | | 73-21-15 | TB0158F | C015 | 2 | R2 | 3 | | VA501-VA508, VB051-VB054, VB101-VB110 |
| 780 | 24 | PK | D05552J | 55 | | 73-21-15 | TB0158F | C015 | 2 | R2 | 3 | | VF171-VF180 |
| 781 | 22 | PA | TB0248Y | C014 | BJ | 73-21-19 | TB0248D | C021 | 2 | R2 | 2 | | VF251-VF260 |
| 781 | 22 | PA | TB0248Y | C014 | BJ | 73-21-19 | TB0248D | C021 | 2 | R2 | 2 | | VA301-VA700, VB051-VB200, VB254-VB280, VB323-VB370, VB401-VB410, VB441-VB450, VE101VE126, VE141-VE148, VF001-VF002, VF021-VF042, VF051-VF051 |
| 781 | 22 | PA | TB0248Y | C014 | BJ | 73-21-19 | TB0248D | C021 | 2 | R2 | 2 | ZSZ-B6 | VB251-VB253 |
| 781 | 22 | PA | TB0248Y | C014 | BJ | 73-21-19 | TB0248D | C021 | 2 | R2 | 2 | | VE127-VE140, VE149-VE170, VF003-VF010, VF043-VF050, VF052-VF060 |
| 781 | 22 | PA | TB0248Y | C014 | BJ | 73-21-19 | TB0248D | C021 | 2 | R2 | 2 | | VF171-VF180 |
| 781 | 22 | PA | TB0248Y | C014 | BJ | 73-21-19 | TB0248D | C021 | 2 | R2 | 2 | | VF251-VF260 |
| 782 | 22 | PA | D08032J | 39 | | 73-21-19 | TB0248Y | C014 | BJ | R2 | 3 | | VA301-VA315 |
| 782 | 22 | PA | D08032J | 39 | | 73-21-19 | TB0248Y | C014 | BJ | R2 | 3 | | VA316-VA700, VB055-VB200, VB254-VB280, VB323-VB370, VB401-VB410, VB441-VB450, VE101VE170, VF001-VF010, VF021-VF060 |
| 782 | 22 | PA | TB0248Y | C014 | BJ | 73-21-19 | D08032J | 39 | | R2 | 3 | | VB051-VB054 |
| 782 | 22 | PA | D08032J | 39 | | 73-21-19 | TB0248Y | C014 | BJ | R2 | 3 | ZSZ-B6 | VB251-VB253 |
| 782 | 22 | PA | D08032J | 39 | | 73-21-19 | TB0248Y | C014 | BJ | R2 | 3 | | VF171-VF180 |
| 782 | 22 | PA | D08032J | 39 | | 73-21-19 | TB0248Y | C014 | BJ | R2 | 2 | | VF251-VF260 |

286T1080-102
Wire Bundle Assembly
Figure 110 (Sheet 50)

25-71-01



BOEING
COMPONENT
MAINTENANCE MANUAL

| WIRE | | | FROM EQUIPMENT | | | TO EQUIPMENT | | | WIRE INFO | | | | |
|--------|----|-----|----------------|------|----|--------------|---------|------|-----------|---------|----|--------|---|
| NUMBER | GA | TYP | NUMBER | TERM | TT | WDM REF | NUMBER | TERM | TT | EMC/SEP | FT | NOTES | EFFECTIVITY |
| FRA | | | D08032J | 39 | | 73-21-11 | D08032J | | | R2 | | | VE085-VE100, VE171-VE180, VF061-VF110, VN151-VN170 |
| FRB | | | D08032J | 28 | | 73-21-17 | D08032J | 57 | | R2 | | | VE087-VE100, VE171-VE180, VF062-VF090, VF101-VF110, VF161-VF170, VN163-VN170 |
| FRC | | | D05552J | | | 73-21-12 | D05552J | | | R2 | | | VF091-VF100 |
| FRG | | | TB0182Y | REF | | 77-12-12 | TB0182Y | A014 | BJ | R2 | | | |
| FRG | | | TB0182Y | REF | | 77-12-12 | TB0182Y | A014 | BJ | R2 | | DAW-B2 | |
| FA1 | | | D01874 | 26 | | 99-99-99 | D01874 | 34 | | R2 | | DAW-B2 | |
| PB1 | | | D01868 | 25 | | 99-99-99 | D01868 | 35 | | R2 | | DAW-B2 | |
| PC1 | | | D01870 | 22 | | 99-99-99 | D01870 | 38 | | R2 | | DAW-B2 | |
| PD1 | | | D01872 | 24 | | 99-99-99 | D01872 | 36 | | R2 | | DAW-B2 | |
| PE1 | | | D02176 | 26 | | 21-58-15 | D02176 | 34 | | R2 | | DAW-B2 | VE085-VE086, VE171-VE172, VF071-VF072, VF091-VF093, VF101-VF102, VN151-VN157, VN163VN167 |
| PF1 | | | D01876 | 41 | | 36-11-52 | D01876 | 63 | | R2 | | DAW-B2 | VE087-VE100, VE173-VE180, VF063-VF070, VF073-VF090, VF094-VF100, VF103-VF110, VF161VF170, VN158-VN162, VN168-VN170, |
| PF1 | | | D01876 | 9 | | 36-11-52 | D01876 | 51 | | R2 | | DAW-B2 | VF061-VF062 |
| PF1 | | | D01876 | 9 | | 36-11-52 | D01876 | 51 | | R2 | | DAW-B2 | |
| PG1 | | | D02162 | 11 | | 73-21-15 | D02162 | 20 | | R2 | | DAW-B2 | VE085-VE100, VE171-VE180, VF061-VF110, VF161-VF170, VN151-VN155 |
| PH1 | | | D02676 | 47 | | 27-58-21 | D02676 | 66 | | R2 | | DAW-B2 | VN156-VN170 |
| PH1 | | | D02676 | 47 | | 27-58-21 | D02676 | 64 | | R2 | | | |
| 1 | 24 | PK | D01868 | 19 | | 21-51-21 | D05552J | 18 | | R2 | 3 | | |
| 2 | 22 | PA | D01868 | 21 | | 21-51-21 | GDX0002 | D.. | 2 | R2 | 4 | | |
| 3 | 24 | PK | D01868 | 13 | | 21-51-21 | TB0248Y | C004 | BJ | R2 | 4 | | VE085-VE086, VE171-VE171, VF061-VF061, VF091-VF091 |
| 3 | 24 | PK | D01868 | 13 | | 21-51-21 | TB0182X | D016 | BJ | R2 | 4 | | VF071-VF071, VN151-VN155 |
| 4 | 24 | PK | D01868 | 14 | | 21-51-21 | D05552J | 6 | | R2 | 4 | | |
| 5 | 24 | PK | D01868 | 8 | | 21-51-21 | D05552J | 7 | | R2 | 4 | | |
| 6 | 24 | PK | D01868 | 7 | | 21-51-21 | D05552J | 8 | | R2 | 4 | | |

286T1080-140
Wire Bundle Assembly
Figure 111 (Sheet 1)

25-71-01

TESTING & FAULT ISOLATION
01

Page 134G
Nov 01/02

| WIRE | | | FROM EQUIPMENT | | | TO EQUIPMENT | | | WIRE INFO | | | | |
|--------|----|-----|----------------|------|----|--------------|---------|------|-----------|-------------|----|----------------------------|---|
| NUMBER | GA | TYP | NUMBER | TERM | TT | WDM REF | NUMBER | TERM | TT | EMC/ SEP | FT | NOTES | EFFECTIVITY |
| 7 | 24 | PK | D01868 | 36 | | 21-51-21 | TB0158G | 4 | 2 | R2 | 4 | | VE085-VE086, VE171-VE171, VF061-VF061, VF091-VF091, VN151-VN170 |
| 7 | 24 | PK | D01868 | 36 | | 21-51-21 | TB0158Y | C004 | BJ | R2 | 4 | | VE087-VE100, VE172-VE180, VF062-VF090, VF092-VF110, VF161-VF170 |
| 8 | 24 | PK | D01868 | 15 | | 21-51-11 | TB0158G | 3 | 2 | R2 | 4 | | VE085-VE086, VE171-VE171, VF061-VF061, VF091-VF091, VN151-VN170 |
| 8 | 24 | PK | D01868 | 15 | | 21-51-11 | TB0158Y | A004 | BJ | R2 | 4 | | VE087-VE100, VE172-VE180, VF062-VF090, VF092-VF110, VF161-VF170 |
| 9 | 24 | PK | D01868 | 17 | | 21-51-21 | D08032J | 38 | | R2 | 4 | MNU-F2 MLA-T2 ZSZ-B6 | |
| 01A | 24 | PK | TB0158F | A017 | 2 | 21-26-11 | D05644J | 27 | | R2 | 4 | | VE085-VE086, VF061-VF062, VF091-VF093 |
| 01A | 24 | PK | TB0158F | A017 | 2 | 21-26-11 | D05644J | 27 | | R2 | 4 | | VE173-VE180, VF063-VF070, VF073-VF090, VF094-VF100, VF103-VF110, VF161-VF170, VN157VN162, VN167-VN170 |
| 10 | 24 | PK | TB0158Y | C008 | BJ | 31-51-41 | D04809J | 12 | | R2 | 3 | | VE085-VE100, VE171-VE180, VF061-VF110, VF161-VF170 |
| 10 | 24 | PK | TB0248X | B001 | BJ | 31-51-41 | D04809J | 12 | | R2 | 3 | | VN151-VN170 |
| 11 | 22 | PA | D01876 | 39 | | 36-11-52 | D05766J | 13 | | R2 | 3 | | |
| 13 | 24 | PK | D05552J | 25 | | 21-51-21 | TB0158Y | A008 | BJ | R2 | 2 | | VE085-VE100, VE171-VE180, VF091-VF110, VN151-VN170 |
| 14 | 24 | PK | D01868 | 4 | | 21-51-21 | TB0158Y | A008 | BJ | R2 | 4 | | |
| 15 | 24 | PK | D01868 | 5 | | 21-51-21 | TB0158Y | C007 | BJ | R2 | 4 | | |
| 16 | 24 | PK | D01868 | 22 | | 21-51-21 | D05552J | 21 | | R2 | 4 | | |
| 17 | 24 | PK | D01868 | 1 | | 21-51-21 | D05552J | 22 | | R2 | 4 | | |
| 18 | 24 | PK | D01868 | 27 | | 21-51-21 | TB0182D | A021 | 2 | R2 | 4 | | VE085-VE100, VF071-VF090, VN151-VN170 |
| 18 | 24 | PK | D01868 | 27 | | 21-51-21 | D02676 | 24 | | R2 | 3 | | VE171-VE180, VF061-VF070, VF091-VF110, VF161-VF170 |
| 19 | 24 | PK | D01868 | 6 | | 21-51-21 | D02676 | 27 | | R2 | 3 | | |
| 20 | 22 | PA | D01868 | 28 | | 21-51-21 | TB0182Y | C001 | BJ | R2 | 4 | | |

286T1080-140
Wire Bundle Assembly
Figure 111 (Sheet 2)

25-71-01



BOEING
COMPONENT
MAINTENANCE MANUAL

| WIRES | | | FROM EQUIPMENT | | | | TO EQUIPMENT | | | | WIRE INFO | | | |
|--------|----|-----|----------------|------|----|----------|--------------|------|----|---------|-----------|----------------------------|---|--|
| NUMBER | GA | TYP | NUMBER | TERM | TT | WDM REF | NUMBER | TERM | TT | EMC/SEP | FT | NOTES | EFFECTIVITY | |
| 21 | 24 | PK | D01868 | 31 | | 21-25-21 | D05552J | 27 | 4 | R2 | 4 | | VE085-VE100, VE171-VE180, VF091-VF110, VN151-VN170 | |
| 22 | 24 | PK | D01868 | 9 | | 21-53-21 | D08032J | 46 | 4 | R2 | 4 | | | |
| 23 | 24 | PK | D01868 | 26 | | 21-53-22 | TB0158F | C012 | 2 | R2 | 4 | | | |
| 24 | 24 | PK | D05552J | 31 | | 21-51-21 | TB0158Y | C007 | BJ | R2 | 2 | | | |
| 25 | 24 | PK | D01868 | 2 | | 21-51-21 | D05552J | 4 | 4 | R2 | 4 | | | |
| 26 | 24 | PK | D01868 | 32 | | 73-21-15 | D05552J | 54 | 3 | R2 | 3 | | | |
| 27 | 24 | PK | D02162 | 25 | | 73-21-15 | D01868 | 18 | 3 | R2 | 3 | | | |
| 28 | 22 | PA | D01868 | 10 | | 21-51-21 | TB0158G | 16 | 2 | R2 | 4 | MOT-F2 MLA-T2 ZSZ-B6 | | |
| 29 | 24 | PK | D01874 | 29 | | 21-26-11 | D05644J | 26 | 4 | R2 | 4 | | VE085-VE086, VF061-VF062, VF091-VF093 | |
| 29 | 24 | PK | D01874 | 29 | | 21-26-11 | TB0158F | A017 | 2 | R2 | 4 | | VE087-VE100, VE171-VE172, VF071-VF072, VF101-VF102, VN151-VN156, VN163-VN166 | |
| 29 | 24 | PK | D01874 | 29 | | 21-26-11 | D05644J | 26 | 4 | R2 | 4 | | VE173-VE180, VF063-VF070, VF073-VF090, VF094-VF100, VF103-VF110, VF161-VF170, VN157VN162, VN167-VN170 | |
| 30 | 24 | PK | D01868 | 12 | | 21-51-21 | TB0158G | 14 | 2 | R2 | 4 | | VE085-VE086, VE171-VE171, VF061-VF061, VF091-VF091 | |
| 30 | 24 | PK | D01868 | 12 | | 21-51-21 | TB0158Y | C001 | BJ | R2 | 4 | | VE087-VE100, VE172-VE180, VF062-VF070, VF092-VF110, VF161-VF170 | |
| 30 | 24 | PK | D01868 | 12 | | 21-51-21 | TB0182X | D011 | BJ | R2 | 4 | | VF071-VF090, VN151-VN170 | |
| 32 | 22 | PA | TB0182Y | C001 | BJ | 21-51-21 | D05552J | 24 | 3 | R2 | 3 | | | |
| 33 | 24 | PK | D01876 | 64 | | 36-11-41 | TB0248Y | A003 | BJ | R2 | 3 | | | |
| 34 | 22 | PA | TB0158G | 16 | 2 | 21-51-21 | D05552J | 23 | 3 | R2 | 3 | | | |
| 35 | 24 | PK | D01874 | 1 | | 21-25-21 | D05552J | 29 | 4 | R2 | 4 | | | |
| 36 | 22 | PA | D01874 | 3 | | 21-25-21 | GDX0002 | D.. | 2 | R2 | 4 | | | |
| 37 | 24 | PK | D01874 | 24 | | 21-25-21 | D05552J | 26 | 4 | R2 | 4 | | | |
| 38 | 22 | PA | D01874 | 4 | | 21-25-21 | GDX0004 | D.. | 2 | R2 | 4 | | | |
| 39 | 24 | PK | D01874 | 22 | | 21-25-21 | D05552J | 28 | 4 | R2 | 4 | | | |

286T1080-140
Wire Bundle Assembly
Figure 111 (Sheet 3)

25-71-01

| WIRE | | | FROM EQUIPMENT | | | TO EQUIPMENT | | | WIRE INFO | | | | |
|--------|----|-----|----------------|------|----|--------------|---------|------|-----------|---------|----|---------|--|
| NUMBER | GA | TYP | NUMBER | TERM | TT | WDM REF | NUMBER | TERM | TT | EMC/SEP | FT | NOTES | EFFECTIVITY |
| 40 | 24 | PK | D01874 | 23 | | 21-25-21 | D0552J | 30 | | R2 | 4 | | |
| 41 | 24 | PK | D02176 | 13 | | 21-58-15 | D05644J | 8 | | R2 | 3 | | |
| 42 | 22 | PA | D02176 | 15 | | 21-58-15 | GDX0004 | D.. | 2 | R2 | 4 | | |
| 43 | 22 | PA | D02176 | 12 | | 21-58-15 | TB0182X | C016 | BJ | R2 | 4 | | |
| 44 | 24 | PK | D02176 | 33 | | 21-58-15 | D05644J | 4 | | R2 | 3 | | |
| 45 | 24 | PK | D02176 | 11 | | 21-58-15 | D05644J | 7 | | R2 | 3 | | |
| 46 | 24 | PK | D02176 | 32 | | 21-58-15 | D05644J | 1 | | R2 | 3 | | |
| 47 | 22 | PA | D05644J | 14 | | 36-11-52 | TB0248X | B012 | BJ | R2 | 3 | | VE085-VE100, VE171-VE180, VF061-VF090, VF101-VF110, VF161-VF170, VN151-VN170 |
| 48 | 24 | PK | D02176 | 37 | | 21-58-15 | TB0248X | A012 | BJ | R2 | 3 | | VF091-VF100 |
| 48 | 24 | PK | D02176 | 37 | | 21-58-15 | TB0248Y | A009 | BJ | R2 | 3 | | |
| 50 | 24 | PK | D01874 | 7 | | 21-26-11 | D05644J | 21 | | R2 | 3 | | |
| 51 | 22 | PA | D01874 | 9 | | 21-26-11 | GDX0002 | D.. | 2 | R2 | 4 | | |
| 52 | 24 | PK | D01874 | 28 | | 21-26-11 | D05644J | 22 | | R2 | 3 | | |
| 53 | 24 | PK | D01874 | 8 | | 21-26-11 | D05644J | 18 | | R2 | 3 | | |
| 54 | 24 | PK | D01874 | 6 | | 21-26-11 | D05644J | 20 | | R2 | 3 | | |
| 55 | 24 | PK | D01874 | 27 | | 21-26-11 | D05644J | 17 | | R2 | 3 | | |
| 56 | 24 | PK | D01874 | 36 | | 21-26-11 | D05644J | 32 | | R2 | 3 | | |
| 63 | 24 | PK | D02176 | 14 | | 21-58-15 | TB0158F | C020 | 2 | R2 | 4 | MLA-B2 | |
| 64 | 24 | PK | D0552J | 1 | | 73-21-18 | D08028J | 2 | | R2 | 3 | | VE085-VE086 |
| 64 | 24 | PK | D0552J | 1 | | 73-21-18 | TB0182Y | C008 | BJ | R2 | 3 | MMNT-T2 | VF071-VF090, VN156-VN170 |
| 64 | 24 | PK | D0552J | 1 | | 73-21-18 | TB0182Y | C008 | BJ | R2 | 3 | | VN151-VN155 |
| 65 | 24 | PK | D0552J | 2 | | 73-21-18 | TB0182X | A012 | BJ | R2 | 3 | | VF071-VF090, VN151-VN170 |
| 66 | 24 | PK | D01874 | 35 | | 21-26-11 | TB0248X | C011 | BJ | R2 | 4 | | |
| 67 | 24 | PK | TB0158F | C017 | 2 | 21-58-15 | D02176 | 38 | | R2 | 4 | | |
| 68 | 24 | PK | D01870 | 19 | | 21-53-12 | D0552J | 45 | | R2 | 4 | | |
| 69 | 22 | PA | D01870 | 21 | | 21-53-12 | GDX0002 | D.. | 2 | R2 | 5 | | |
| 70 | 24 | PK | D01870 | 6 | | 21-53-12 | D0552J | 40 | | R2 | 4 | | |
| 71 | 24 | PK | D01870 | 3 | | 21-53-12 | TB0182X | B012 | BJ | R2 | 4 | | |
| 72 | 24 | PK | D01870 | 37 | | 21-53-12 | D0552J | 42 | | R2 | 4 | | |

286T1080-140
Wire Bundle Assembly
Figure 111 (Sheet 4)

25-71-01



BOEING
COMPONENT
MAINTENANCE MANUAL

| WIRE | | | FROM EQUIPMENT | | | TO EQUIPMENT | | | WIRE INFO | | | | |
|--------|----|-----|----------------|------|----|--------------|---------|------|-----------|---------|----|--------|---|
| NUMBER | GA | TYP | NUMBER | TERM | TT | WDM REF | NUMBER | TERM | TT | EMC/SEP | FT | NOTES | EFFECTIVITY |
| 73 | 24 | PK | D01870 | 36 | | 21-53-12 | D0552J | 43 | | R2 | 4 | | |
| 74 | 24 | PK | D01870 | 35 | | 21-53-12 | D0552J | 44 | | R2 | 4 | | |
| 75 | 24 | PK | D01870 | 8 | | 21-53-12 | TB0158F | A012 | 2 | R2 | 4 | | |
| 76 | 24 | PK | D01870 | 4 | | 21-53-12 | D0552J | 50 | | R2 | 4 | | |
| 77 | 24 | PK | D01870 | 10 | | 21-53-12 | D0552J | 51 | | R2 | 4 | | |
| 78 | 24 | PK | D01870 | 7 | | 21-53-12 | D0552J | 48 | | R2 | 4 | | |
| 79 | 24 | PK | D01870 | 11 | | 21-53-12 | D0552J | 49 | | R2 | 4 | | |
| 80 | 24 | PK | D01870 | 12 | | 21-53-12 | D0552J | 46 | | R2 | 4 | | |
| 81 | 24 | PK | D01870 | 9 | | 21-53-12 | D0552J | 47 | | R2 | 4 | | |
| 82 | 24 | PK | D01870 | 16 | | 21-53-12 | D0552J | 34 | | R2 | 4 | | |
| 83 | 24 | PK | D01870 | 14 | | 21-53-12 | D0552J | 35 | | R2 | 4 | | |
| 84 | 24 | PK | D01870 | 15 | | 21-53-12 | D0552J | 36 | | R2 | 4 | | |
| 85 | 24 | PK | D01870 | 13 | | 21-53-12 | D0552J | 37 | | R2 | 4 | | |
| 86 | 24 | PK | D01870 | 18 | | 21-53-12 | D0552J | 38 | | R2 | 4 | | |
| 87 | 24 | PK | D01870 | 17 | | 21-53-12 | D0552J | 39 | | R2 | 4 | | |
| 88 | 24 | PK | D01870 | 5 | | 21-53-12 | D0552J | 33 | | R2 | 4 | | |
| 89 | 24 | PV | D01872 | 19 | | 21-58-11 | TB0158F | C011 | 2 | S2 | 3 | | |
| 089Z | | | D01872 | DED | | 21-58-11 | TB0158F | DED | | S2 | | | |
| 90 | 22 | PA | D01872 | 41 | | 21-58-11 | GDX0002 | D.. | 2 | R2 | 4 | | |
| 91 | 24 | PK | D01872 | 3 | | 21-58-11 | TB0182Y | C002 | BJ | R2 | 3 | | |
| 92 | 24 | PK | D01872 | 4 | | 21-58-11 | TB0158G | 2 | 2 | R2 | 3 | | VE085-VE086, VE171-VE171, VF061-VF061, VF091-VF091, VNI151-VNI170 |
| 92 | 24 | PK | D01872 | 4 | | 21-58-11 | TB0158Y | C003 | BJ | R2 | 3 | | VE087-VE100, VE172-VE180, VF062-VF090, VF092-VF110, VF161-VF170 |
| 93 | 24 | PK | D01872 | 5 | | 21-58-11 | TB0182Y | A001 | BJ | R2 | 3 | | |
| 94 | 24 | PK | D01872 | 6 | | 21-58-11 | TB0248X | A001 | BJ | R2 | 3 | | |
| 96 | 24 | PK | D01872 | 7 | | 21-58-12 | TB0182X | B028 | BJ | R2 | 4 | | |
| 98 | 24 | PK | D01872 | 10 | | 21-58-12 | TB0182X | A028 | BJ | R2 | 4 | | |
| 99 | 24 | PK | D01872 | 9 | | 21-58-12 | TB0182X | C028 | BJ | R2 | 4 | ZSZ-B6 | |
| 101 | 22 | PA | D01872 | 15 | | 21-58-11 | TB0182X | B011 | BJ | R2 | 3 | | VE085-VE086 |

286T1080-140
Wire Bundle Assembly
Figure 111 (Sheet 5)

25-71-01

TESTING & FAULT ISOLATION
01

Page 134K
Nov 01/02

| WIRE | | FROM EQUIPMENT | | | TO EQUIPMENT | | | WIRE INFO | | | | | |
|--------|----|----------------|---------|------|--------------|----------|---------|-----------|----|---------|----|-------|---|
| NUMBER | GA | TYP | NUMBER | TERM | TT | WDM REF | NUMBER | TERM | TT | EMC/SEP | FT | NOTES | EFFECTIVITY |
| 101 | 22 | PA | D01872 | 15 | | 21-58-11 | TB0182X | B011 | BJ | R2 | 3 | | VE087-VE100, VE171-VE180, VF061-VF110, VF161-VF170, VN151-VN170 |
| 102 | 24 | PK | D01872 | 12 | | 33-16-11 | D05552J | 61 | | R2 | 3 | | |
| 103 | 24 | PK | D05644J | 41 | | 21-58-11 | D01872 | 20 | | R2 | 3 | | |
| 104R | 22 | PH | D05766J | 19 | | 26-18-22 | D01876 | 36 | | R2 | 3 | | |
| 105 | 22 | PA | D01872 | 21 | | 21-58-11 | GDX0002 | D.. | 2 | R2 | 4 | | |
| 106R | 22 | PH | D05766J | 20 | | 26-18-22 | D01876 | 57 | | R2 | 3 | | |
| 107 | 24 | PK | D01872 | 14 | | 21-58-11 | D05644J | 28 | | R2 | 3 | | |
| 108R | 22 | PH | D05766J | 5 | | 26-18-22 | D01876 | 6 | | R2 | 3 | | VE085-VE100 |
| 108R | 22 | PH | SP03260 | | S | 26-18-22 | D01876 | 6 | | R2 | 3 | | VE171-VE180, VF061-VF110, VF161-VF170 |
| 108R | 22 | PH | D01876 | 6 | | 26-18-22 | TB0248X | C001 | BJ | R2 | 3 | | VN151-VN170 |
| 109 | 22 | PA | D01872 | 17 | | 21-58-11 | TB0158F | A011 | 2 | R2 | 3 | | |
| 111 | 22 | PA | TB0182Y | A002 | BJ | 21-58-11 | D05644J | 24 | | R2 | 3 | | |
| 114 | 22 | PA | D01876 | 60 | | 36-11-52 | SM00002 | | W | R2 | 3 | | |
| 116 | 22 | PA | D01876 | 40 | | 36-11-52 | D05766J | 14 | | R2 | 3 | | |
| 119 | 24 | PK | D01876 | 55 | | 36-11-52 | SM00001 | | W | R2 | 3 | | |
| 120 | 24 | PK | D01876 | 5 | | 36-11-52 | TB0248X | A011 | BJ | R2 | 4 | | |
| 121 | 24 | PK | D01876 | 20 | | 36-11-52 | D05644J | 35 | | R2 | 3 | | |
| 122 | 22 | PA | D01876 | 35 | | 36-11-52 | D05644J | 36 | | R2 | 3 | | |
| 123 | 24 | PK | D01876 | 53 | | 36-11-52 | TB0158Y | A007 | BJ | R2 | 4 | | |
| 124 | 24 | PK | D05552J | 3 | | 21-25-21 | D01874 | 25 | | R2 | 4 | | |
| 126 | 24 | PK | D01876 | 52 | | 36-11-52 | D05644J | 37 | | R2 | 3 | | |
| 128 | 24 | PK | D01876 | 37 | | 36-11-62 | TB0248X | B011 | BJ | R2 | 4 | | |
| 129 | 22 | PA | D01876 | 2 | | 36-22-11 | D05644J | 38 | | R2 | 3 | | |
| 130 | 24 | PK | D01876 | 1 | | 36-11-62 | D05766J | 7 | | R2 | 3 | | |
| 131 | 22 | PA | D01876 | 56 | | 36-11-62 | D05766J | 10 | | R2 | 3 | | |
| 132 | 22 | PA | D05644J | 29 | | 36-22-11 | TB0248Y | C009 | BJ | R2 | 3 | | |
| 135 | 22 | PA | D01876 | 31 | | 36-11-62 | D05766J | 8 | | R2 | 3 | | |
| 136 | 24 | PK | D01876 | 58 | | 36-11-62 | D05766J | 9 | | R2 | 3 | | |
| 137 | 24 | PK | D01876 | 28 | | 36-11-62 | D05766J | 11 | | R2 | 3 | | |

286T1080-140
Wire Bundle Assembly
Figure 111 (Sheet 6)

25-71-01



BOEING
COMPONENT
MAINTENANCE MANUAL

| WIRE | | | FROM EQUIPMENT | | | | TO EQUIPMENT | | | | WIRE INFO | | | |
|--------|----|-----|----------------|---------|----------|---------|--------------|---------|----|-------|---|--|--|--|
| NUMBER | GA | TYP | NUMBER | TERM TT | WDM REF | NUMBER | TERM TT | EMC/SEP | FT | NOTES | EFFECTIVITY | | | |
| 138 | 24 | PV | D02162 | 40 | 73-21-12 | D0552J | 56 | R2 | 3 | | VE085-VE100, VE171-VE180, VF061-VF110, VN151-VN170 | | | |
| 138F | 20 | UA | D02162 | | 73-21-12 | GDX0002 | S.. | R2 | 3 | | VE085-VE100, VE171-VE180, VF061-VF110, VN151-VN170 | | | |
| 138Z | | | D02162 | | 73-21-12 | D0552J | | R2 | | | VE085-VE100, VE171-VE180, VF061-VF110, VN151-VN170 | | | |
| 138Z | | | D02162 | | 73-21-12 | D0552J | 57 | R2 | | | VF161-VF170 | | | |
| 139 | 24 | PK | TB0158Y | A007 | BJ | D05766J | 1 | R2 | 3 | | | | | |
| 140 | 24 | PK | TB0158Y | A007 | BJ | D05766J | 4 | R2 | 3 | | | | | |
| 141 | 22 | PA | SM0007 | W | 36-11-62 | D05766J | 6 | R2 | 2 | | | | | |
| 143 | 24 | PK | TB0158G | 4 | 21-51-21 | D0552J | 9 | R2 | 3 | | VE085-VE086, VE171-VE171, VF061-VF061, VF091-VF091, VN151-VN170 | | | |
| 143 | 24 | PK | TB0158Y | C004 | BJ | D0552J | 9 | R2 | 3 | | VE087-VE100, VE172-VE180, VF062-VF090, VF092-VF110, VF161-VF170 | | | |
| 144 | 24 | PK | D05766J | 21 | 36-11-62 | D01876 | 47 | R2 | 3 | | | | | |
| 145 | 24 | PK | D05766J | 22 | 36-11-62 | D01876 | 18 | R2 | 3 | | | | | |
| 147 | 24 | PK | D02676 | 22 | 22-12-21 | D04887J | 6 | R2 | 3 | | | | | |
| 148 | 24 | PK | D02676 | 23 | 22-12-21 | D04887J | 7 | R2 | 3 | | | | | |
| 150 | 22 | PA | D02676 | 8 | 27-58-21 | GDX0002 | A.. | R2 | 4 | | | | | |
| 152 | 24 | PK | D02676 | 7 | 27-58-21 | D08032J | 2 | R2 | 3 | | | | | |
| 154 | 22 | PA | D05766J | 23 | 36-11-62 | D01876 | 27 | R2 | 3 | | | | | |
| 155 | 24 | PK | D02676 | 38 | 22-12-21 | D04887J | 8 | R2 | 3 | | | | | |
| 156 | 24 | PK | D02676 | 39 | 22-12-21 | D04887J | 9 | R2 | 3 | | | | | |
| 157 | 24 | PK | D02162 | 66 | 73-21-15 | TB0182Y | A003 | R2 | 4 | | | | | |
| 158 | 24 | PV | D02162 | 32 | 73-21-17 | TB0182X | C012 | R2 | 3 | | | | | |
| 158Z | | | D02162 | DED | 73-21-17 | TB0182X | DED | R2 | | | | | | |
| 159 | 24 | PV | TB0248Y | C003 | BJ | D0552J | 32 | R2 | 3 | | | | | |
| 159F | 20 | UA | GDX0002 | S.. | 2 | D0552J | | R2 | 2 | | | | | |
| 159Z | | | TB0248Y | A004 | BJ | D0552J | | R2 | | | | | | |
| 160 | 24 | PK | D08032J | 33 | 73-21-17 | D0552J | | R2 | 3 | | | | | |
| 161 | 24 | PK | D02162 | 19 | 73-21-19 | TB0248D | A021 | R2 | 3 | | | | | |
| | | | | | | TB0248D | C021 | R2 | 3 | | | | | |

286T1080-140
Wire Bundle Assembly
Figure 111 (Sheet 7)

25-71-01

TESTING & FAULT ISOLATION
01

Page 134M
Nov 01/02

| WIRE | | | FROM EQUIPMENT | | | TO EQUIPMENT | | | WIRE INFO | | | | |
|--------|----|-----|----------------|------|----|--------------|---------|------|-----------|---------|----|-------|---|
| NUMBER | GA | TYP | NUMBER | TERM | TT | WDM REF | NUMBER | TERM | TT | EMC/SEP | FT | NOTES | EFFECTIVITY |
| 162 | 22 | PA | D02162 | 2 | | 73-21-19 | D08032J | 19 | | R2 | 3 | | |
| 163 | 24 | PK | D02162 | 35 | | 73-21-19 | D08032J | 32 | | R2 | 3 | | VE085-VE100, VE171-VE180, VF061-VF072, VF091-VF093, VF101-VF110, VF161-VF162, VN151VN158, VN163-VN168 |
| 163 | 22 | PA | D02162 | 35 | | 73-21-19 | D08032J | 32 | | R2 | 3 | | VF073-VF090, VF094-VF100, VF163-VF170, VN159-VN162, VN169-VN170 |
| 164 | 20 | UA | D02162 | | | 73-21-17 | GDX0002 | S.. | 2 | R2 | 3 | | VE085-VE100, VE171-VE180, VF061-VF110, VN151-VN170 |
| 164 | 20 | UA | D02162 | | | 73-21-17 | GDX0002 | S.. | 2 | R2 | 3 | | VF161-VF170 |
| 167 | 24 | PK | D04887J | 15 | | 22-32-13 | D02162 | 62 | | R2 | 3 | | |
| 168 | 24 | PV | D02162 | 6 | | 73-21-17 | TB0248Z | 5 | BJ | R2 | 4 | | VE085-VE100, VE171-VE180, VF061-VF110, VN151-VN170 |
| 168 | 24 | PV | D02162 | 6 | | 73-21-17 | TB0248Z | 5 | BJ | R2 | 4 | | VF161-VF170 |
| 168Z | | | D02162 | | | 73-21-17 | TB0248Z | 6 | BJ | R2 | | | |
| 169 | 24 | PV | D02162 | 8 | | 73-21-12 | D08032J | 16 | | R2 | 3 | | VE085-VE100, VE171-VE180, VF061-VF110, VN151-VN170 |
| 169 | 24 | PV | D02162 | 8 | | 73-21-12 | D08032J | 16 | | R2 | 3 | | VF161-VF170 |
| 169Z | | | D02162 | | | 73-21-12 | D08032J | | | R2 | | | |
| 170 | 24 | PK | D02162 | 7 | | 73-21-12 | D08032J | 29 | | R2 | 3 | | |
| 172 | 22 | PQ | D08032J | 5 | | 73-21-11 | TB0182X | A027 | BJ | R2 | 3 | | |
| 172Z | | | D08032J | | | 73-21-11 | TB0182X | B027 | BJ | R2 | | | |
| 173 | 24 | PK | TB0182Y | C003 | BJ | 73-21-17 | D02162 | 61 | | R2 | 4 | | |
| 174 | 24 | PK | D04887J | 14 | | 22-32-13 | D02162 | 53 | | R2 | 3 | | |
| 176 | 24 | PK | D04887J | 18 | | 22-32-13 | D02162 | 30 | | R2 | 3 | | |
| 177 | 22 | PQ | D08032J | 43 | | 73-21-19 | TB0248Y | C003 | BJ | R2 | 2 | | |
| 177Z | | | D08032J | 44 | | 73-21-19 | TB0248Y | A004 | BJ | R2 | | | |
| 178 | 24 | PK | D02162 | 64 | | 73-21-16 | D08032J | 35 | | R2 | 3 | | VE085-VE100, VE171-VE180, VF061-VF070, VF101-VF110, VF161-VF170 |
| 181 | 24 | PK | D08032J | 6 | | 73-21-18 | TB0182Y | C008 | BJ | R2 | 3 | | VF071-VF100, VN151-VN170 |
| 181 | 24 | PK | D08032J | 6 | | 73-21-18 | TB0248X | B016 | BJ | R2 | 3 | | |

286T1080-140
Wire Bundle Assembly
Figure 111 (Sheet 8)

25-71-01



BOEING
COMPONENT
MAINTENANCE MANUAL

| WIRE | | | FROM EQUIPMENT | | | TO EQUIPMENT | | | WIRE INFO | | | | |
|--------|----|-----|----------------|---------|----------|--------------|---------|---------|-----------|-------|---|--|--|
| NUMBER | GA | TYP | NUMBER | TERM TT | WDM REF | NUMBER | TERM TT | EMC/SEP | FT | NOTES | EFFECTIVITY | | |
| 182 | 24 | PK | D08032J | 3 | 73-21-17 | TB0182Y | C003 BJ | R2 | 3 | | | | |
| 183 | 24 | PK | TB0182Y | C005 BJ | 73-21-15 | D08032J | 17 | R2 | 3 | | | | |
| 184 | 24 | PK | TB0182Y | A006 BJ | 22-32-13 | D04887J | 11 | R2 | 3 | | | | |
| 185 | 24 | PK | TB0182Y | A003 BJ | 22-32-13 | D04887J | 12 | R2 | 3 | | | | |
| 186 | 24 | PV | TB0248Z | 5 | 73-21-17 | D08032J | 7 | R2 | 3 | | | | |
| 186Z | | | TB0248Z | 6 | 73-21-17 | D08032J | | R2 | | | | | |
| 191 | 24 | PK | D02162 | 42 | 73-21-17 | TB0182Y | C003 BJ | R2 | 4 | | | | |
| 192 | 22 | PA | D05766J | 24 | 36-11-62 | D01876 | 61 | R2 | 3 | | | | |
| 195 | 24 | PK | D04887J | 17 | 22-32-13 | D02162 | 23 | R2 | 3 | | | | |
| 196 | 24 | PK | D02162 | 59 | 73-21-15 | TB0182Y | C005 BJ | R2 | 4 | | | | |
| 197 | 24 | PK | D04887J | 16 | 22-32-13 | D02162 | 26 | R2 | 3 | | | | |
| 198 | 24 | PK | D02162 | 65 | 73-21-15 | TB0182Y | A006 BJ | R2 | 4 | | | | |
| 200 | 24 | PK | TB0248X | D011 BJ | 36-11-62 | D01876 | 65 | R2 | 3 | | | | |
| 201B | 24 | PL | D02676 | 17 | 27-51-11 | D08032J | 25 | R2 | 3 | | | | |
| 201R | 24 | PL | D02676 | 18 | 27-51-11 | D08032J | 26 | R2 | | | | | |
| 202B | 24 | PL | D02676 | 9 | 27-58-21 | D08032J | 20 | R2 | 3 | | | | |
| 202R | 24 | PL | D02676 | 10 | 27-58-21 | D08032J | 21 | R2 | | | | | |
| 203B | 22 | PB | D02676 | 41 | 27-41-21 | D04887J | 5 | R2 | 3 | | | | |
| 203R | 22 | PB | D02676 | 40 | 27-41-21 | D04887J | 4 | R2 | | | | | |
| 206B | 24 | PL | D02676 | 35 | 27-58-21 | D04887J | 30 | R2 | 3 | | | | |
| 206R | 24 | PL | D02676 | 31 | 27-58-21 | D04887J | 31 | R2 | | | | | |
| 207B | 24 | PL | D02676 | 21 | 27-32-21 | D04887J | 29 | R2 | 3 | | | | |
| 207R | 24 | PL | D02676 | 19 | 27-32-21 | D04887J | 28 | R2 | | | | | |
| 211B | 24 | PW | D08032J | 50 | 77-12-12 | TB0182Y | C013 BJ | R2 | 3 | | VE085-VE100, VE171-VE180, VF061-VF110, VF161-VF170, VN163-VN170 | | |
| 211B | 24 | PW | D08032J | 50 | 77-12-12 | TB0158Y | C025 BJ | R2 | 3 | | VN151-VN162 | | |
| 211R | 24 | PW | D08032J | 47 | 77-12-12 | TB0182Y | A013 BJ | R2 | | | VE085-VE100, VE171-VE180, VF061-VF110, VF161-VF170, VN163-VN170 | | |
| 211R | 24 | PW | D08032J | 47 | 77-12-12 | TB0158Y | A025 BJ | R2 | | | VN151-VN162 | | |
| 211Z | | | D08032J | 49 | 77-12-12 | TB0182Y | A014 BJ | R2 | | | VE085-VE086, VF061-VF061 | | |

286T1080-140
Wire Bundle Assembly
Figure 111 (Sheet 9)

25-71-01

| WIRE | | | FROM EQUIPMENT | | | TO EQUIPMENT | | | WIRE INFO | | | | |
|--------|----|-----|----------------|------|----|--------------|---------|------|-----------|-------------|----|-------|--|
| NUMBER | GA | TYP | NUMBER | TERM | TT | WDM REF | NUMBER | TERM | TT | EMC/ SEP | FT | NOTES | EFFECTIVITY |
| 211Z | | | D08032J | 49 | | 77-12-12 | TB0182Y | REF | | R2 | | | VE087-VE100, VE171-VE180, VF062-VF110, VF161-VF170, VN163-VN170 VN151-VN162 |
| 211Z | | | D08032J | 49 | | 77-12-12 | TB0158Z | 27 | BJ | R2 | | | |
| 217 | 24 | PK | D05766J | 31 | | 36-11-62 | D01876 | 17 | | R2 | 3 | | |
| 218B | 24 | PW | D08032J | 14 | | 77-12-12 | TB0182Y | C013 | BJ | R2 | 3 | | VE085-VE100, VE171-VE180, VF061-VF110, VF161-VF170, VN163-VN170 |
| 218B | 24 | PW | D08032J | 14 | | 77-12-12 | TB0158Y | C025 | BJ | R2 | 3 | | VN151-VN162 |
| 218R | 24 | PW | D08032J | 13 | | 77-12-12 | TB0182Y | A013 | BJ | R2 | | | VE085-VE100, VE171-VE180, VF061-VF110, VF161-VF170, VN163-VN170 |
| 218R | 24 | PW | D08032J | 13 | | 77-12-12 | TB0158Y | A025 | BJ | R2 | | | VN151-VN162 |
| 218Z | 24 | PW | D08032J | 15 | | 77-12-12 | TB0182Y | A014 | BJ | R2 | | | VE085-VE086, VF061-VF061 |
| 218Z | 24 | PW | D08032J | 15 | | 77-12-12 | TB0182Y | REF | | R2 | | | VE087-VE100, VE171-VE180, VF062-VF110, VF161-VF170, VN163-VN170 |
| 218Z | 24 | PA | D08032J | 15 | | 77-12-12 | TB0158Z | 27 | BJ | R2 | | | VN151-VN162 |
| 248 | 22 | PA | D01876 | 66 | | 36-11-62 | SM00007 | | W | R2 | 3 | | |
| 249 | 22 | PA | D01876 | 34 | | 36-11-62 | SM00007 | | W | R2 | 3 | | |
| 301B | 24 | PM | D02676 | 12 | | 27-58-21 | D08032J | 22 | | R2 | 3 | | |
| 301R | 24 | PM | D02676 | 13 | | 27-58-21 | D08032J | 23 | | R2 | | | |
| 301Y | 24 | PM | D02676 | 11 | | 27-58-21 | D08032J | 24 | | R2 | | | |
| 304B | 24 | PM | D02676 | 32 | | 27-58-21 | D04887J | 32 | | R2 | 3 | | |
| 304R | 24 | PM | D02676 | 33 | | 27-58-21 | D04887J | 33 | | R2 | | | |
| 304Y | 24 | PM | D02676 | 34 | | 27-58-21 | D04887J | 34 | | R2 | | | |
| 400 | 24 | PK | D02162 | 5 | | SPARE | D08032J | 59 | | R2 | 3 | | VE085-VE085 |
| 401 | 24 | PK | D02162 | 9 | | SPARE | D08032J | 9 | | R2 | 3 | | VE085-VE085 |
| 402 | 24 | PK | D02162 | 10 | | SPARE | TB0182X | C015 | BJ | R2 | 3 | | VE085-VE085 |
| 403 | 24 | PK | D02162 | 12 | | SPARE | D08032J | 12 | | R2 | 3 | | VE085-VE085 |
| 404 | 24 | PK | D02162 | 15 | | SPARE | TB0182X | A015 | BJ | R2 | 3 | | VE085-VE085 |
| 405 | 22 | PA | D02162 | 16 | | SPARE | GDX0002 | D.. | 2 | R2 | 3 | | VE085-VE085 |
| 406 | 24 | PK | D02162 | 18 | | SPARE | TB0182X | B015 | BJ | R2 | 3 | | VE085-VE085 |
| 407 | 24 | PK | D02162 | 38 | | SPARE | D08032J | 60 | | R2 | 3 | | VE085-VE085 |

286T1080-140
Wire Bundle Assembly
Figure 111 (Sheet 10)

25-71-01

TESTING & FAULT ISOLATION
01 Page 134P
Nov 01/02



BOEING
COMPONENT
MAINTENANCE MANUAL

| WIRE | | | FROM EQUIPMENT | | | TO EQUIPMENT | | | WIRE INFO | | | | |
|--------|----|-----|----------------|------|----|--------------|---------|------|-----------|---------|----|-------|---|
| NUMBER | GA | TYP | NUMBER | TERM | TT | WDM REF | NUMBER | TERM | TT | EMC/SEP | FT | NOTES | EFFECTIVITY |
| 408 | 24 | PK | D02162 | 49 | | SPARE | TB0182X | D015 | BJ | R2 | 3 | | VE085-VE085 |
| 409 | 24 | PK | D02162 | 52 | | SPARE | D08032J | 10 | | R2 | 3 | | VE085-VE085 |
| 438 | 24 | PV | D02162 | 41 | | 73-21-12 | TB0248Z | 5 | BJ | R2 | 3 | | |
| 438F | 20 | UA | D02162 | | | 73-21-12 | GDX0002 | S.. | 2 | R2 | 3 | | |
| 438Z | | | D02162 | | | 73-21-12 | TB0248Z | 6 | BJ | R2 | 3 | | |
| 500 | 24 | PK | D05644J | 40 | | 21-58-11 | D01872 | 1 | | R2 | 3 | | |
| 502 | 24 | PK | D02162 | 57 | | 34-61-13 | TB0158G | 1 | 2 | R2 | 4 | | VE085-VE086, VE171-VE171, VF061-VF061, VF091-VF091, VN151-VN170 |
| 502 | 24 | PK | D02162 | 57 | | 34-61-13 | TB0158Y | A003 | BJ | R2 | 3 | | VE087-VE100, VE172-VE180, VF062-VF090, VF092-VF110, VF161-VF170 |
| 503 | 24 | PK | D02162 | 55 | | 34-61-13 | TB0158G | 18 | 2 | R2 | 4 | | |
| 504 | 24 | PK | D02162 | 1 | | 34-61-13 | TB0158G | 21 | 2 | R2 | 4 | | |
| 505 | 24 | PK | D02162 | 21 | | 34-61-13 | TB0158G | 22 | 2 | R2 | 4 | | |
| 506 | 24 | PK | D02162 | 29 | | 34-61-13 | TB0158G | 23 | 2 | R2 | 4 | | |
| 507 | 24 | PK | TB0158G | 1 | 2 | 34-61-23 | D04809J | 1 | | R2 | 3 | | VE085-VE086, VE171-VE171, VF061-VF061, VF091-VF091, VN151-VN170 |
| 507 | 24 | PK | TB0158Y | A003 | BJ | 34-61-23 | D04809J | 1 | | R2 | 3 | | VE087-VE100, VE172-VE180, VF062-VF090, VF092-VF110, VF161-VF170 |
| 508 | 24 | PK | TB0158G | 18 | 2 | 34-61-23 | D04809J | 2 | | R2 | 3 | | |
| 509 | 24 | PK | TB0158G | 21 | 2 | 34-61-23 | D04809J | 3 | | R2 | 3 | | |
| 510 | 24 | PK | TB0158G | 22 | 2 | 34-61-23 | D04809J | 4 | | R2 | 3 | | |
| 511 | 24 | PK | TB0158G | 23 | 2 | 34-61-23 | D04809J | 5 | | R2 | 3 | | |
| 512 | 24 | PV | TB0182Y | A005 | BJ | 34-61-23 | D04809J | 6 | | L2 | 3 | | |
| 512Z | | | D04809J | DED | | 34-61-23 | TB0182Y | DED | | R2 | | | |
| 513 | 24 | PV | TB0182Y | A004 | BJ | 34-61-23 | D04809J | 7 | | L2 | 3 | | |
| 513Z | | | D04809J | DED | | 34-61-23 | TB0182Y | DED | | R2 | | | |
| 514 | 24 | PV | TB0182Y | A009 | BJ | 34-61-23 | D04809J | 8 | | L2 | 3 | | |
| 514Z | | | D04809J | DED | | 34-61-23 | TB0182Y | DED | | R2 | | | |
| 515 | 24 | PV | TB0182Y | C009 | BJ | 34-61-23 | D04809J | 9 | | L2 | 3 | | |
| 515Z | | | D04809J | DED | | 34-61-23 | TB0182Y | DED | | R2 | | | |

286T1080-140
Wire Bundle Assembly
Figure 111 (Sheet 11)

25-71-01

| WIRE | | FROM EQUIPMENT | | | TO EQUIPMENT | | | WIRE INFO | | | | | |
|--------|----|----------------|---------|------|--------------|----------|---------|-----------|----|-------------|----|--------|---|
| NUMBER | GA | TYP | NUMBER | TERM | TT | WDM REF | NUMBER | TERM | TT | EMC/ SEP | FT | NOTES | EFFECTIVITY |
| 516 | 24 | PV | TB0182Y | A010 | BJ | 34-61-23 | D04809J | 10 | | I2 | 3 | | |
| 516Z | | | D04809J | DED | | 34-61-23 | TB0182Y | DED | | R2 | | | |
| 518 | 22 | PA | D02676 | 43 | | 27-58-21 | GDX0002 | D.. | 2 | R2 | 4 | | |
| 521 | 22 | PA | D02676 | 29 | | 27-61-11 | D04887J | 27 | | R2 | 3 | | VE085-VE086, VE171-VE171, VF091-VF091 |
| 521 | 22 | PA | D02676 | 29 | | 27-61-11 | D04887J | 27 | | R2 | 4 | | VE087-VE100, VE173-VE180, VF063-VF070, VF073-VF090, VF094-VF100, VF103-VE110, VF161VF170, VN158-VN162, VN168-VN170, |
| 521 | 22 | PA | D02676 | 29 | | 27-61-11 | TB0158D | C013 | 2 | R2 | 4 | MNU-T2 | VE172-VE172, VF062-VF062, VF071-VF072, VF092-VF093, VF101-VF102 |
| 521 | 22 | PA | D02676 | 29 | | 27-61-11 | TB0158D | C013 | 2 | R2 | 3 | MNU-T2 | VF061-VF061 |
| 521 | 22 | PA | D02676 | 29 | | 27-61-11 | TB0182D | C022 | 2 | R2 | 3 | MOT-F2 | VN151-VN153 |
| 521 | 22 | PA | D02676 | 29 | | 27-61-11 | TB0158D | C013 | 2 | R2 | 3 | | VN154-VN157, VN163-VN167 |
| 522 | 22 | PA | D04887J | 27 | | 27-61-11 | TB0158D | A013 | 2 | R2 | 3 | | VN154-VN155 |
| 523 | 22 | PA | D02676 | 26 | | 22-24-21 | D04887J | 1 | | R2 | 3 | | |
| 524 | 24 | PK | TB0158F | A025 | 2 | 21-51-11 | D01876 | 4 | | R2 | 4 | | VE085-VE100, VE171-VE180, VF061-VF070, VF091-VF110, VF161-VF170 |
| 524 | 24 | PK | TB0182X | A016 | BJ | 21-51-11 | D01876 | 4 | | R2 | 4 | | VF071-VF090, VN151-VN170 |
| 525 | 24 | PK | D01868 | 3 | | 21-51-21 | TB0158G | 9 | 2 | R2 | 4 | | |
| 526 | 24 | PK | D01868 | 16 | | 21-51-21 | TB0158F | C025 | 2 | R2 | 4 | | VE085-VE100, VE171-VE180, VF061-VF070, VF091-VF110, VF161-VF170 |
| 526 | 24 | PK | D01868 | 16 | | 21-51-21 | TB0182X | B016 | BJ | R2 | 4 | | VF071-VF090, VN151-VN170 |
| 527 | 24 | PK | D01868 | 37 | | 21-51-21 | D01876 | 38 | | R2 | 3 | | |
| 528 | 24 | PK | D01868 | 38 | | 21-51-21 | D08032J | 4 | | R2 | 4 | | |
| 529 | 22 | PA | TB0158D | C013 | 2 | 27-61-11 | TB0158D | C014 | 2 | R2 | 2 | | VN154-VN155 |
| 530 | 24 | PK | D02162 | 33 | | 73-21-15 | TB0158G | 26 | 2 | R2 | 4 | | VE085-VE100, VE171-VE180, VF061-VF070, VF091-VF110, VF161-VF170 |
| 530 | 24 | PK | D02162 | 33 | | 73-21-15 | TB0158Y | A006 | BJ | R2 | 4 | | VF071-VF090, VN154-VN170 |
| 530 | 24 | PK | D02162 | 33 | | 73-21-15 | TB0158Y | A014 | BJ | R2 | 4 | | VN151-VN153 |

286T1080-140
Wire Bundle Assembly
Figure 111 (Sheet 12)

25-71-01



BOEING
COMPONENT
MAINTENANCE MANUAL

| WIRE | | | FROM EQUIPMENT | | | | TO EQUIPMENT | | | | WIRE INFO | | | |
|--------|----|-----|----------------|------|----|----------|--------------|------|----|---------|-----------|--------|--|--|
| NUMBER | GA | TYP | NUMBER | TERM | TT | WDM REF | NUMBER | TERM | TT | EMC/SEP | FT | NOTES | EFFECTIVITY | |
| 533 | 24 | PK | TB0182X | D012 | BJ | 73-21-17 | D08032J | 31 | | R2 | 3 | | | |
| 534 | 24 | PK | D02162 | 54 | | 73-21-16 | D08032J | 30 | | R2 | 3 | | VE085-VE100, VE171-VE180, VF061-VF070, VF091-VF110 | |
| 534 | 24 | PK | D02162 | 54 | | 73-21-16 | D05552J | 10 | | R2 | 3 | | VF071-VF090, VF161-VF170, VN151-VN170 | |
| 538 | 24 | PK | D01868 | 30 | | 21-53-22 | TB0182X | C011 | BJ | R2 | 4 | | | |
| 540 | 24 | PK | D08032J | 37 | | 21-58-11 | TB0182Y | C002 | BJ | R2 | 2 | | | |
| 542 | 24 | PV | D05552J | 41 | | 73-21-11 | TB0182Y | C006 | BJ | R2 | 3 | | | |
| 542Z | | | TB0182Y | C004 | BJ | 73-21-11 | D05552J | 59 | | R2 | | | | |
| 543 | 24 | PK | D01872 | 11 | | 21-58-12 | TB0182X | D028 | BJ | R2 | 3 | | | |
| 544JA | 24 | PV | TB0248Y | C003 | BJ | 73-21-17 | TB0248Z | 5 | BJ | R2 | 2 | | | |
| 544Z | | | TB0248Y | A004 | BJ | 73-21-17 | TB0248Z | 6 | BJ | R2 | | | | |
| 552 | 24 | PV | D08032J | 55 | | 73-21-17 | TB0248Z | 5 | BJ | R2 | 3 | | | |
| 552Z | | | D08032J | 56 | | 73-21-17 | TB0248Z | 6 | BJ | R2 | | | | |
| 559 | 22 | PA | D04887J | 27 | | 27-61-11 | TB0158D | A013 | 2 | R2 | 3 | MLA-F2 | VE172-VE172, VF062-VF062, VF071-VF072, VF092-VF093, VF101-VF102, VN156-VN157, VN163VN167 | |
| 559 | 22 | PA | D04887J | 27 | | 27-61-11 | TB0158D | A013 | 2 | R2 | 3 | MLA-F2 | VF061-VF061 | |
| 559 | 22 | PA | D04887J | 27 | | 27-61-11 | TB0182D | A022 | 2 | R2 | 3 | MNU-T2 | | |
| 560 | 22 | PA | TB0158D | C013 | 2 | 27-61-11 | TB0158D | C014 | 2 | R2 | 3 | ZSZ-B6 | VN151-VN153 | |
| 560 | 22 | PA | TB0158D | C013 | 2 | 27-61-11 | TB0158D | C015 | 2 | R2 | 3 | MNU-B2 | VE172-VE172, VF062-VF062, VF071-VF072, VF092-VF093, VF101-VF102 | |
| 560 | 22 | PA | TB0182D | C022 | 2 | 27-61-11 | TB0182D | C024 | 2 | R2 | 3 | ZSZ-B6 | VF061-VF061 | |
| 560 | 22 | PA | TB0158D | C013 | 2 | 27-61-11 | TB0158D | C014 | 2 | R2 | 2 | MNU-B2 | VN151-VN153 | |
| 600 | 22 | PA | D02676 | 44 | | 27-41-21 | D04887J | 26 | | R2 | 3 | | VN156-VN157, VN163-VN167 | |
| 601 | 24 | PK | D04809J | 23 | | SPARE | TB0182D | C026 | 2 | R2 | 3 | | VE085-VE086 | |
| 601 | 24 | PK | D04809J | 23 | | 31-51-42 | TB0182D | C026 | 2 | R2 | 3 | | VN151-VN170 | |
| 609 | 24 | PV | D08032J | 11 | | 73-21-17 | TB0248Z | 5 | BJ | R2 | 2 | | | |
| 609Z | | | D08032J | 11 | | 73-21-17 | TB0248Z | 6 | BJ | R2 | 2 | MLA-F2 | | |
| | | | | | | | | | | | | MNT-T2 | | |

286T1080-140
Wire Bundle Assembly
Figure 111 (Sheet 13)

25-71-01

TESTING & FAULT ISOLATION
01 Page 134S
Nov 01/02

| WIRE | | | FROM EQUIPMENT | | | | TO EQUIPMENT | | | | WIRE INFO | | | |
|--------|----|-----|----------------|------|----|----------|--------------|------|----|----------|-----------|-------|---|--|
| NUMBER | GA | TYP | NUMBER | TERM | TT | WDM REF | NUMBER | TERM | TT | EMC/ SEP | FT | NOTES | EFFECTIVITY | |
| 614 | 24 | PK | D05552J | 20 | | 73-21-18 | TB0248X | C016 | BJ | R2 | 3 | | VE085-VE086, VN151-VN155 | |
| 614 | 24 | PK | D05552J | 20 | | 73-21-18 | TB0248X | C016 | BJ | R2 | 3 | | VF071-VF072, VN156-VN158, VN163-VN168 | |
| 614 | 24 | PK | D05552J | 20 | | 73-21-11 | TB0248X | C016 | BJ | R2 | 3 | | VF073-VF090, VN159-VN162, VN169-VN170 | |
| 685 | 24 | PV | D05766J | 25 | | 73-21-11 | TB0182Y | C006 | BJ | R2 | 3 | | | |
| 685Z | | | D05766J | 26 | | 73-21-11 | TB0182Y | C004 | BJ | R2 | 3 | | | |
| 700 | 24 | PK | D04809J | 17 | | 31-31-21 | D02676 | 14 | | R2 | 3 | | VF071-VF110, VN151-VN170 | |
| 701 | 22 | PA | TB0182Y | C001 | BJ | 21-51-21 | D08032J | 54 | | R2 | 3 | | | |
| 703 | 24 | PK | D04809J | 18 | | 31-31-21 | D02676 | 16 | | R2 | 3 | | | |
| 706 | 24 | PK | D08032J | 51 | | 30-31-21 | TB0248Y | A014 | BJ | R2 | 3 | | | |
| 707 | 24 | PK | TB0248X | D002 | BJ | 30-34-21 | D08032J | 52 | | R2 | 3 | | | |
| 708 | 24 | PK | D01870 | 24 | | 21-51-13 | D05552J | 5 | | R2 | 4 | | | |
| 712 | 24 | PK | D01874 | 2 | | 21-25-11 | TB0248D | A020 | 2 | R2 | 4 | | | |
| 713 | 24 | PK | TB0248D | C020 | 2 | 21-25-11 | TB0248Y | C010 | BJ | R2 | 3 | | | |
| 714 | 22 | PA | D08032J | 53 | | 73-21-19 | D02676 | 28 | | R2 | 3 | | | |
| 715 | 22 | PA | D05766J | 15 | | 24-51-52 | TB0248X | A015 | BJ | R2 | 3 | | | |
| 716 | 22 | PA | D05766J | 16 | | 24-51-52 | TB0248X | B015 | BJ | R2 | 3 | | | |
| 718 | 22 | PA | D05766J | 17 | | 24-51-52 | TB0248X | C015 | BJ | R2 | 3 | | | |
| 719 | 22 | PA | D05766J | 18 | | 24-51-52 | TB0248X | D015 | BJ | R2 | 3 | | | |
| 720 | 24 | PK | TB0158G | 10 | 2 | 73-21-15 | D02162 | 24 | | R2 | 4 | | | |
| 722 | 22 | PA | D02176 | 25 | | 21-24-11 | TB0182X | B015 | BJ | R2 | 3 | | VF071-VF100, VN151-VN170 | |
| 723 | 24 | PK | D02176 | 23 | | 21-24-11 | TB0182X | C015 | BJ | R2 | 3 | | VF071-VF100, VN151-VN170 | |
| 724 | 24 | PK | D02176 | 22 | | 21-24-11 | TB0182X | D015 | BJ | R2 | 3 | | VF071-VF100, VN151-VN170 | |
| 725 | 22 | PA | D02176 | 3 | | 21-24-11 | GDX0004 | D.. | 2 | R2 | 4 | | VF071-VF100, VN151-VN170 | |
| 726 | 22 | PA | D02176 | 4 | | 21-24-11 | GDX0004 | D.. | 2 | R2 | 4 | | VF071-VF100, VN151-VN170 | |
| 728 | 24 | PK | D02176 | 24 | | 21-24-11 | TB0182X | A015 | BJ | R2 | 3 | | VF071-VF100, VN151-VN170 | |
| 729 | 24 | PK | D02176 | 1 | | 21-24-11 | TB0248Y | A010 | BJ | R2 | 3 | | VF071-VF090, VN151-VN170 | |
| 729 | 24 | PK | D02176 | 1 | | 21-24-11 | TB0158G | 15 | 2 | R2 | 3 | | VF091-VF100 | |
| 731 | 20 | PA | D05766J | 27 | | 36-11-52 | SM00002 | | W | R2 | 2 | | VE087-VE100, VE173-VE180, VF063-VF070, VF073-VF090, VF094-VF100, VF103-VF110, VF161VF170, VN158-VN162, VN168-VN170, | |

286T1080-140
Wire Bundle Assembly
Figure 111 (Sheet 14)

25-71-01



BOEING
COMPONENT
MAINTENANCE MANUAL

| WIRE | | | FROM EQUIPMENT | | | TO EQUIPMENT | | | WIRE INFO | | | | |
|--------|----|-----|----------------|------|----|--------------|---------|------|-----------|----------|----|-------|---|
| NUMBER | GA | TYP | NUMBER | TERM | TT | WDM REF | NUMBER | TERM | TT | EMC/ SEP | FT | NOTES | EFFECTIVITY |
| 740 | 24 | PK | D05644J | 25 | | 36-11-52 | SM00001 | | W | R2 | 3 | | |
| 741 | 24 | PK | D01876 | 54 | | 36-11-52 | SM00001 | | W | R2 | 3 | | |
| 742 | 22 | PA | D05644J | 34 | | 36-11-52 | SM00002 | | W | R2 | 3 | | |
| 743 | 22 | PA | D01876 | 59 | | 36-11-52 | SM00002 | | W | R2 | 3 | | |
| 745 | 22 | PA | D01876 | 11 | | 36-11-52 | D05766J | 3 | | R2 | 3 | | |
| 746 | 22 | PA | D01876 | 46 | | 36-11-52 | D05766J | 2 | | R2 | 3 | | |
| 753 | 22 | PA | D01876 | 3 | | 36-22-11 | TB0248Y | C009 | BJ | R2 | 4 | | |
| 764 | 24 | PV | D08032J | 48 | | 73-21-11 | TB0248Z | 5 | BJ | R2 | 3 | | |
| 764Z | | | D08032J | | | 73-21-11 | TB0248Z | 6 | BJ | R2 | | | |
| 766 | 24 | PK | D02676 | 24 | | 21-51-21 | TB0182D | C021 | 2 | R2 | 4 | | VE085-VE100, VF071-VF090, VN151-VN170 |
| 768 | 24 | PK | D08032J | 40 | | 21-58-11 | TB0158G | 2 | 2 | R2 | 2 | | VE085-VE086, VE171-VE171, VF061-VF061, VF091-VF091, VN151-VN170 |
| 768 | 24 | PK | D08032J | 40 | | 21-58-11 | TB0158Y | C003 | BJ | R2 | 3 | | VE087-VE100, VE172-VE180, VF062-VF090, VF092-VF110, VF161-VF170 |
| 769 | 24 | PK | D02676 | 52 | | 27-51-11 | D08032J | 36 | | R2 | 3 | | |
| 775 | 24 | PK | D01872 | 8 | | 21-58-11 | GDX0002 | D.. | 2 | R2 | 4 | | |
| 776 | 24 | PK | D05644J | 33 | | 21-26-11 | TB0158F | A020 | 2 | R2 | 3 | | |
| 778 | 24 | PK | D05552J | 53 | | 73-21-15 | TB0248X | C012 | BJ | R2 | 2 | | |
| 779 | 24 | PK | D05552J | 52 | | 73-21-15 | TB0248X | D012 | BJ | R2 | 2 | | VE085-VE100, VE171-VE180, VF061-VF070, VF091-VF110, VF161-VF170 |
| 780 | 24 | PK | D05552J | 55 | | 73-21-15 | D02162 | 27 | | R2 | 3 | | |
| 781 | 24 | PK | D08032J | 45 | | 73-21-19 | TB0248D | C021 | 2 | R2 | 3 | | |

286T1080-140
Wire Bundle Assembly
Figure 111 (Sheet 15)

25-71-01

| WIRE | | | FROM EQUIPMENT | | | | TO EQUIPMENT | | | | WIRE INFO | | | |
|--------|----|-----|----------------|------|----|----------|--------------|------|----|---------|-----------|----------------------------|-------------|--|
| NUMBER | GA | TYP | NUMBER | TERM | TT | WDM REF | NUMBER | TERM | TT | EMC/SEP | FT | NOTES | EFFECTIVITY | |
| FRA | | | D08032J | 39 | | 73-21-11 | D08032J | | | R2 | | | | |
| FRF | | | D08032J | | | 73-21-12 | D08032J | 34 | | R2 | | | | |
| FRI | | | D05552J | 57 | | 73-21-17 | D05552J | | | R2 | | | | |
| FAL | | | D01874 | 26 | | 99-99-99 | D01874 | 34 | | R2 | | DAW-B2 | | |
| PB1 | | | D01868 | 25 | | 99-99-99 | D01868 | 35 | | R2 | | DAW-B2 | | |
| FC1 | | | D01870 | 22 | | 99-99-99 | D01870 | 38 | | R2 | | DAW-B2 | | |
| PD1 | | | D01872 | 24 | | 99-99-99 | D01872 | 36 | | R2 | | DAW-B2 | | |
| PE1 | | | D02176 | 26 | | 21-58-15 | D02176 | 34 | | R2 | | DAW-B2 | | |
| PG1 | | | D02162 | 11 | | 73-21-15 | D02162 | 20 | | R2 | | DAW-B2 | | |
| PH1 | | | D02676 | 47 | | 27-58-21 | D02676 | 64 | | R2 | | DAW-B2 | | |
| 1 | 24 | PK | D01868 | 19 | | 21-51-21 | D05552J | 18 | | R2 | 3 | | | |
| 2 | 22 | PA | D01868 | 21 | | 21-51-21 | GDX0002 | D.. | 2 | R2 | 4 | | | |
| 3 | 24 | PK | D01868 | 13 | | 21-51-21 | TB0248Y | C004 | BJ | R2 | 4 | | | |
| 4 | 24 | PK | D01868 | 14 | | 21-51-21 | D05552J | 6 | | R2 | 4 | | | |
| 5 | 24 | PK | D01868 | 8 | | 21-51-21 | D05552J | 7 | | R2 | 4 | | | |
| 6 | 24 | PK | D01868 | 7 | | 21-51-21 | D05552J | 8 | | R2 | 4 | | | |
| 7 | 24 | PK | D01868 | 36 | | 21-51-21 | TB0158Y | C002 | BJ | R2 | 3 | | | |
| 8 | 24 | PK | D01868 | 15 | | 21-51-11 | TB0158Y | A002 | BJ | R2 | 3 | | | |
| 9 | 24 | PK | D01868 | 17 | | 21-51-21 | D08032J | 38 | | R2 | 4 | | | |
| 01A | 24 | PK | TB0158F | A017 | 2 | 21-26-11 | D05644J | 27 | | R2 | 4 | MNU-F2 MLA-T2 ZSZ-B6 | | |
| 10 | 24 | PK | TB0248X | B001 | BJ | 31-51-41 | D04809J | 12 | | R2 | 3 | | | |
| 13 | 24 | PK | D05552J | 25 | | 21-51-21 | TB0158Y | A008 | BJ | R2 | 2 | | | |
| 14 | 24 | PK | D01868 | 4 | | 21-51-21 | TB0158Y | A008 | BJ | R2 | 4 | | | |
| 15 | 24 | PK | D01868 | 5 | | 21-51-21 | TB0158Y | C007 | BJ | R2 | 4 | | | |
| 16 | 24 | PK | D01868 | 22 | | 21-51-21 | D05552J | 21 | | R2 | 4 | | | |
| 17 | 24 | PK | D01868 | 1 | | 21-51-21 | D05552J | 22 | | R2 | 4 | | | |
| 18 | 24 | PK | D01868 | 27 | | 21-51-21 | TB0182D | A021 | 2 | R2 | 4 | | | |
| 19 | 24 | PK | D01868 | 6 | | 21-51-21 | D02676 | 27 | | R2 | 3 | | | |
| 20 | 22 | PA | D01868 | 28 | | 21-51-21 | TB0182Y | C001 | BJ | R2 | 4 | | | |

286T1080-211
Wire Bundle Assembly
Figure 112 (Sheet 1)

25-71-01



BOEING
COMPONENT
MAINTENANCE MANUAL

| WIRE | | | FROM EQUIPMENT | | | TO EQUIPMENT | | | WIRE INFO | | | | |
|--------|----|-----|----------------|------|----|--------------|---------|------|-----------|---------|----|--------|-------------|
| NUMBER | GA | TYP | NUMBER | TERM | TT | WDM REF | NUMBER | TERM | TT | EMC/SEP | FT | NOTES | EFFECTIVITY |
| 21 | 24 | PK | D01868 | 31 | | 21-25-21 | D05552J | 27 | | R2 | 4 | | |
| 22 | 24 | PK | D01868 | 9 | | 21-53-21 | D08032J | 46 | | R2 | 4 | | |
| 23 | 24 | PK | D01868 | 26 | | 21-53-22 | TB0158F | C012 | 2 | R2 | 4 | | |
| 24 | 24 | PK | D05552J | 31 | | 21-51-21 | TB0158Y | C007 | BJ | R2 | 2 | | |
| 25 | 24 | PK | D01868 | 2 | | 21-51-21 | D05552J | 4 | | R2 | 4 | | |
| 26 | 24 | PK | D01868 | 32 | | 73-21-15 | D05552J | 54 | | R2 | 3 | | |
| 27 | 24 | PK | D02162 | 25 | | 73-21-15 | D01868 | 18 | | R2 | 3 | | |
| 28 | 22 | PA | D01868 | 10 | | 21-51-21 | TB0158Y | C009 | BJ | R2 | 4 | MOT-F2 | |
| 29 | 24 | PK | D01874 | 29 | | 21-26-11 | D05644J | 26 | | R2 | 4 | MLA-T2 | |
| | | | | | | | | | | | | ZSZ-R6 | |
| 30 | 24 | PK | D01868 | 12 | | 21-51-21 | TB0158Y | A009 | BJ | R2 | 4 | | |
| 32 | 22 | PA | TB0182Y | C001 | BJ | 21-51-21 | D05552J | 24 | | R2 | 3 | | |
| 34 | 22 | PA | TB0158Y | C009 | BJ | 21-51-21 | D05552J | 23 | | R2 | 3 | | |
| 35 | 24 | PK | D01874 | 1 | | 21-25-21 | D05552J | 29 | | R2 | 4 | | |
| 36 | 22 | PA | D01874 | 3 | | 21-25-21 | GDX0002 | D.. | 2 | R2 | 4 | | |
| 37 | 24 | PK | D01874 | 24 | | 21-25-21 | D05552J | 26 | | R2 | 4 | | |
| 38 | 22 | PA | D01874 | 4 | | 21-25-21 | GDX0004 | D.. | 2 | R2 | 4 | | |
| 39 | 24 | PK | D01874 | 22 | | 21-25-21 | D05552J | 28 | | R2 | 4 | | |
| 40 | 24 | PK | D01874 | 23 | | 21-25-21 | D05552J | 30 | | R2 | 4 | | |
| 41 | 24 | PK | D02176 | 13 | | 21-58-15 | D05644J | 8 | | R2 | 3 | | |
| 42 | 22 | PA | D02176 | 15 | | 21-58-15 | GDX0004 | D.. | 2 | R2 | 4 | | |
| 43 | 22 | PA | D02176 | 12 | | 21-58-15 | TB0182X | C016 | BJ | R2 | 4 | | |
| 44 | 24 | PK | D02176 | 33 | | 21-58-15 | D05644J | 4 | | R2 | 3 | | |
| 45 | 24 | PK | D02176 | 11 | | 21-58-15 | D05644J | 7 | | R2 | 3 | | |
| 46 | 24 | PK | D02176 | 32 | | 21-58-15 | D05644J | 1 | | R2 | 3 | | |
| 47 | 24 | PK | D05766J | 13 | | 36-11-52 | TB0248X | B012 | BJ | R2 | 3 | | |
| 48 | 24 | PK | D02176 | 37 | | 21-58-15 | TB0248X | A012 | BJ | R2 | 3 | | |
| 50 | 24 | PK | D01874 | 7 | | 21-26-11 | D05644J | 21 | | R2 | 3 | | |
| 51 | 22 | PA | D01874 | 9 | | 21-26-11 | GDX0002 | D.. | 2 | R2 | 4 | | |
| 52 | 24 | PK | D01874 | 28 | | 21-26-11 | D05644J | 22 | | R2 | 3 | | |

286T1080-211
Wire Bundle Assembly
Figure 112 (Sheet 2)

25-71-01

| WIRE | | FROM EQUIPMENT | | | TO EQUIPMENT | | | WIRE INFO | | | | | |
|--------|----|----------------|---------|------|--------------|----------|---------|-----------|----|---------|----|-------|-------------|
| NUMBER | GA | TYP | NUMBER | TERM | TT | WDM REF | NUMBER | TERM | TT | EMC/SEP | FT | NOTES | EFFECTIVITY |
| 53 | 24 | PK | D01874 | 8 | | 21-26-11 | D05644J | 18 | | R2 | 3 | | |
| 54 | 24 | PK | D01874 | 6 | | 21-26-11 | D05644J | 20 | | R2 | 3 | | |
| 55 | 24 | PK | D01874 | 27 | | 21-26-11 | D05644J | 17 | | R2 | 3 | | |
| 56 | 24 | PK | D01874 | 36 | | 21-26-11 | D05644J | 32 | | R2 | 3 | | |
| 63 | 24 | PK | D02176 | 14 | | 21-58-15 | TB0158F | C020 | 2 | R2 | 4 | | |
| 64 | 24 | PK | D05552J | 1 | | 73-21-18 | TB0182Y | C008 | BJ | R2 | 3 | | |
| 65 | 24 | PK | D05552J | 2 | | 73-21-18 | TB0182X | A016 | BJ | R2 | 3 | | |
| 66 | 24 | PK | D01874 | 35 | | 21-26-11 | TB0248X | C011 | BJ | R2 | 4 | | |
| 67 | 24 | PK | TB0158F | C017 | 2 | 21-58-15 | D02176 | 38 | | R2 | 4 | | |
| 68 | 24 | PK | D01870 | 19 | | 21-53-12 | D05552J | 45 | | R2 | 4 | | |
| 69 | 22 | PA | D01870 | 21 | | 21-53-12 | GDX002 | D.. | 2 | R2 | 5 | | |
| 70 | 24 | PK | D01870 | 6 | | 21-53-12 | D05552J | 40 | | R2 | 4 | | |
| 71 | 24 | PK | D01870 | 3 | | 21-53-12 | TB0182X | B012 | BJ | R2 | 4 | | |
| 72 | 24 | PK | D01870 | 37 | | 21-53-12 | D05552J | 42 | | R2 | 4 | | |
| 73 | 24 | PK | D01870 | 36 | | 21-53-12 | D05552J | 43 | | R2 | 4 | | |
| 74 | 24 | PK | D01870 | 35 | | 21-53-12 | D05552J | 44 | | R2 | 4 | | |
| 75 | 24 | PK | D01870 | 8 | | 21-53-12 | TB0158F | A012 | 2 | R2 | 4 | | |
| 76 | 24 | PK | D01870 | 4 | | 21-53-12 | D05552J | 50 | | R2 | 4 | | |
| 77 | 24 | PK | D01870 | 10 | | 21-53-12 | D05552J | 51 | | R2 | 4 | | |
| 78 | 24 | PK | D01870 | 7 | | 21-53-12 | D05552J | 48 | | R2 | 4 | | |
| 79 | 24 | PK | D01870 | 11 | | 21-53-12 | D05552J | 49 | | R2 | 4 | | |
| 80 | 24 | PK | D01870 | 12 | | 21-53-12 | D05552J | 46 | | R2 | 4 | | |
| 81 | 24 | PK | D01870 | 9 | | 21-53-12 | D05552J | 47 | | R2 | 4 | | |
| 82 | 24 | PK | D01870 | 16 | | 21-53-12 | D05552J | 34 | | R2 | 4 | | |
| 83 | 24 | PK | D01870 | 14 | | 21-53-12 | D05552J | 35 | | R2 | 4 | | |
| 84 | 24 | PK | D01870 | 15 | | 21-53-12 | D05552J | 36 | | R2 | 4 | | |
| 85 | 24 | PK | D01870 | 13 | | 21-53-12 | D05552J | 37 | | R2 | 4 | | |
| 86 | 24 | PK | D01870 | 18 | | 21-53-12 | D05552J | 38 | | R2 | 4 | | |
| 87 | 24 | PK | D01870 | 17 | | 21-53-12 | D05552J | 39 | | R2 | 4 | | |
| 88 | 24 | PK | D01870 | 5 | | 21-53-12 | D05552J | 33 | | R2 | 4 | | |
| 89 | 24 | PV | D01872 | 19 | | 21-58-11 | TB0158F | C011 | 2 | S2 | 3 | | |

 286T1080-211
 Wire Bundle Assembly
 Figure 112 (Sheet 3)

25-71-01

 TESTING & FAULT ISOLATION
 01 Page 134X
 Nov 01/02



BOEING
COMPONENT
MAINTENANCE MANUAL

| WIRE | | FROM EQUIPMENT | | | TO EQUIPMENT | | | WIRE INFO | | | | | |
|--------|----|----------------|---------|------|--------------|----------|---------|-----------|----|---------|----|----------------------------|-------------|
| NUMBER | GA | TYP | NUMBER | TERM | TT | WDM REF | NUMBER | TERM | TT | EMC/SEP | FT | NOTES | EFFECTIVITY |
| FRA | | | D08032J | 39 | | 73-21-11 | D08032J | | | R2 | | | |
| FRF | | | D08032J | | | 73-21-12 | D08032J | 34 | | R2 | | | |
| FRI | | | D05552J | 57 | | 73-21-17 | D05552J | | | R2 | | | |
| FAL | | | D01874 | 26 | | 99-99-99 | D01874 | 34 | | R2 | | DAW-B2 | |
| PB1 | | | D01868 | 25 | | 99-99-99 | D01868 | 35 | | R2 | | DAW-B2 | |
| PC1 | | | D01870 | 22 | | 99-99-99 | D01870 | 38 | | R2 | | DAW-B2 | |
| PD1 | | | D01872 | 24 | | 99-99-99 | D01872 | 36 | | R2 | | DAW-B2 | |
| PE1 | | | D02176 | 26 | | 21-58-15 | D02176 | 34 | | R2 | | DAW-B2 | |
| PG1 | | | D02162 | 11 | | 73-21-15 | D02162 | 20 | | R2 | | DAW-B2 | |
| PH1 | | | D02676 | 47 | | 27-58-21 | D02676 | 64 | | R2 | | DAW-B2 | |
| 1 | 24 | PK | D01868 | 19 | | 21-51-21 | D05552J | 18 | | R2 | 3 | | |
| 2 | 22 | PA | D01868 | 21 | | 21-51-21 | GDX002 | D.. | 2 | R2 | 4 | | |
| 3 | 24 | PK | D01868 | 13 | | 21-51-21 | TE0248Y | C004 | BJ | R2 | 4 | | |
| 4 | 24 | PK | D01868 | 14 | | 21-51-21 | D05552J | 6 | | R2 | 4 | | |
| 5 | 24 | PK | D01868 | 8 | | 21-51-21 | D05552J | 7 | | R2 | 4 | | |
| 6 | 24 | PK | D01868 | 7 | | 21-51-21 | D05552J | 8 | | R2 | 4 | | |
| 7 | 24 | PK | D01868 | 36 | | 21-51-21 | TE0158Y | C002 | BJ | R2 | 3 | | |
| 8 | 24 | PK | D01868 | 15 | | 21-51-11 | TE0158Y | A002 | BJ | R2 | 3 | | |
| 9 | 24 | PK | D01868 | 17 | | 21-51-21 | D08032J | 38 | | R2 | 4 | | |
| 01A | 24 | PK | TE0158F | A017 | 2 | 21-26-11 | D05644J | 27 | | R2 | 4 | MVU-F2 MLA-T2 ZSZ-B6 | |
| 10 | 24 | PK | TE0248X | B001 | BJ | 31-51-41 | D04809J | 12 | | R2 | 3 | | |
| 13 | 24 | PK | D05552J | 25 | | 21-51-21 | TE0158Y | A008 | BJ | R2 | 2 | | |
| 14 | 24 | PK | D01868 | 4 | | 21-51-21 | TE0158Y | A008 | BJ | R2 | 4 | | |
| 15 | 24 | PK | D01868 | 5 | | 21-51-21 | TE0158Y | C007 | BJ | R2 | 4 | | |
| 16 | 24 | PK | D01868 | 22 | | 21-51-21 | D05552J | 21 | | R2 | 4 | | |
| 17 | 24 | PK | D01868 | 1 | | 21-51-21 | D05552J | 22 | | R2 | 4 | | |
| 18 | 24 | PK | D01868 | 27 | | 21-51-21 | TE0182D | A021 | 2 | R2 | 4 | | |
| 19 | 24 | PK | D01868 | 6 | | 21-51-21 | D02676 | 27 | | R2 | 3 | | |
| 20 | 22 | PA | D01868 | 28 | | 21-51-21 | TE0182Y | C001 | BJ | R2 | 4 | | |

286T1080-211
Wire Bundle Assembly
Figure 112 (Sheet 4)

25-71-01

| WIRE | | | | FROM EQUIPMENT | | | | TO EQUIPMENT | | | | WIRE INFO | | | |
|--------|----|-----|---------|----------------|----|----------|---------|--------------|----|---------|----|-----------|-------------|--|--|
| NUMBER | GA | TYP | NUMBER | TERM | TT | WDM REF | NUMBER | TERM | TT | EMC/SEP | FT | NOTES | EFFECTIVITY | | |
| 161 | 24 | PK | D02162 | 19 | | 73-21-19 | TB0248D | C021 | 2 | R2 | 3 | | | | |
| 162 | 22 | PA | D02162 | 2 | | 73-21-19 | D08032J | 19 | | R2 | 3 | | | | |
| 163 | 24 | PK | D02162 | 35 | | 73-21-19 | D08032J | 32 | | R2 | 3 | | | | |
| 164 | 20 | UA | D02162 | | | 73-21-17 | GDX0002 | S.. | 2 | R2 | 3 | | | | |
| 167 | 24 | PK | D04887J | 15 | | 22-32-13 | D02162 | 62 | | R2 | 3 | | | | |
| 168 | 24 | PV | D02162 | 6 | | 73-21-17 | TB0248Z | 5 | BJ | R2 | 4 | | | | |
| 168Z | | | D02162 | | | 73-21-17 | TB0248Z | 6 | BJ | R2 | | | | | |
| 169 | 24 | PV | D02162 | 8 | | 73-21-12 | D08032J | 16 | | R2 | 3 | | | | |
| 169Z | | | D02162 | | | 73-21-12 | D08032J | | | R2 | | | | | |
| 170 | 24 | PK | D02162 | 7 | | 73-21-12 | D08032J | 29 | | R2 | 3 | | | | |
| 172 | 22 | PQ | D08032J | 5 | | 73-21-11 | TB0182X | A027 | BJ | R2 | 3 | | | | |
| 172Z | | | D08032J | | | 73-21-11 | TB0182X | B027 | BJ | R2 | | | | | |
| 173 | 24 | PK | TB0182Y | C003 | BJ | 73-21-17 | D02162 | 61 | | R2 | 4 | | | | |
| 174 | 24 | PK | D04887J | 14 | | 22-32-13 | D02162 | 53 | | R2 | 3 | | | | |
| 176 | 24 | PK | D04887J | 18 | | 22-32-13 | D02162 | 30 | | R2 | 3 | | | | |
| 177 | 22 | PQ | D08032J | 43 | | 73-21-19 | TB0248Y | C003 | BJ | R2 | 2 | | | | |
| 177Z | | | D08032J | 44 | | 73-21-19 | TB0248Y | A004 | BJ | R2 | | | | | |
| 178 | 24 | PK | D02162 | 64 | | 73-21-16 | D08032J | 35 | | R2 | 3 | | | | |
| 181 | 24 | PK | D08032J | 6 | | 73-21-18 | TB0182X | A012 | BJ | R2 | 3 | | | | |
| 182 | 24 | PK | D08032J | 3 | | 73-21-17 | TB0182Y | C003 | BJ | R2 | 3 | | | | |
| 183 | 24 | PK | TB0182Y | C005 | BJ | 73-21-15 | D08032J | 17 | | R2 | 3 | | | | |
| 184 | 24 | PK | TB0182Y | A006 | BJ | 22-32-13 | D04887J | 11 | | R2 | 3 | | | | |
| 185 | 24 | PK | TB0182Y | A003 | BJ | 22-32-13 | D04887J | 12 | | R2 | 3 | | | | |
| 191 | 24 | PK | D02162 | 42 | | 73-21-17 | TB0182Y | C003 | BJ | R2 | 4 | | | | |
| 195 | 24 | PK | D04887J | 17 | | 22-32-13 | D02162 | 23 | | R2 | 3 | | | | |
| 196 | 24 | PK | D02162 | 59 | | 73-21-15 | TB0182Y | C005 | BJ | R2 | 4 | | | | |
| 197 | 24 | PK | D04887J | 16 | | 22-32-13 | D02162 | 26 | | R2 | 3 | | | | |
| 198 | 24 | PK | D02162 | 65 | | 73-21-15 | TB0182Y | A006 | BJ | R2 | 4 | | | | |
| 201B | 24 | PL | D02676 | 17 | | 27-51-11 | D08032J | 25 | | R2 | 3 | | | | |
| 201R | 24 | PL | D02676 | 18 | | 27-51-11 | D08032J | 26 | | R2 | | | | | |
| 202B | 24 | PL | D02676 | 9 | | 27-58-21 | D08032J | 20 | | R2 | 3 | | | | |

286T1080-211
Wire Bundle Assembly
Figure 112 (Sheet 5)

25-71-01



BOEING
COMPONENT
MAINTENANCE MANUAL

| WIRE | | | FROM EQUIPMENT | | | TO EQUIPMENT | | | WIRE INFO | | | | |
|--------|----|-----|----------------|------|----|--------------|---------|------|-----------|---------|----|-------|-------------|
| NUMBER | GA | TYP | NUMBER | TERM | TT | WDM REF | NUMBER | TERM | TT | EMC/SEP | FT | NOTES | EFFECTIVITY |
| 202R | 24 | PL | D02676 | 10 | | 27-58-21 | D08032J | 21 | | R2 | | | |
| 203B | 22 | PB | D02676 | 41 | | 27-41-21 | D04887J | 5 | | R2 | 3 | | |
| 203R | 22 | PB | D02676 | 40 | | 27-41-21 | D04887J | 4 | | R2 | | | |
| 206B | 24 | PL | D02676 | 35 | | 27-58-21 | D04887J | 30 | | R2 | 3 | | |
| 206R | 24 | PL | D02676 | 31 | | 27-58-21 | D04887J | 31 | | R2 | | | |
| 207B | 24 | PL | D02676 | 21 | | 27-32-21 | D04887J | 29 | | R2 | 3 | | |
| 207R | 24 | PL | D02676 | 19 | | 27-32-21 | D04887J | 28 | | R2 | | | |
| 211B | 24 | PW | D08032J | 50 | | 77-12-13 | TB0182X | C014 | BJ | R2 | 3 | | |
| 211R | 24 | PW | D08032J | 47 | | 77-12-13 | TB0182X | B014 | BJ | R2 | | | |
| 211Z | | | D08032J | 49 | | 77-12-13 | TB0182X | A014 | BJ | R2 | | | |
| 217B | 24 | PW | D04809J | 20 | | 36-11-62 | D05766J | 10 | | R2 | 3 | | |
| 217R | 24 | PW | D04809J | 19 | | 36-11-62 | D05766J | 9 | | R2 | | | |
| 217Z | | | D04809J | 21 | | 36-11-62 | D05766J | 8 | | R2 | | | |
| 218B | 24 | PW | D05552J | 11 | | 77-12-13 | TB0182X | C013 | BJ | R2 | 3 | | |
| 218R | 24 | PW | D05552J | 10 | | 77-12-13 | TB0182X | B013 | BJ | R2 | | | |
| 218Z | | | D05552J | 12 | | 77-12-13 | TB0182X | A013 | BJ | R2 | | | |
| 219B | 22 | PB | D05644J | 37 | | 36-11-52 | D08032J | 10 | | R2 | 3 | | |
| 219R | 22 | PB | D05644J | 36 | | 36-11-52 | D08032J | 9 | | R2 | | | |
| 301B | 24 | PM | D02676 | 12 | | 27-58-21 | D08032J | 22 | | R2 | 3 | | |
| 301R | 24 | PM | D02676 | 13 | | 27-58-21 | D08032J | 23 | | R2 | | | |
| 301Y | 24 | PM | D02676 | 11 | | 27-58-21 | D08032J | 24 | | R2 | | | |
| 304B | 24 | PM | D02676 | 32 | | 27-58-21 | D04887J | 32 | | R2 | 3 | | |
| 304R | 24 | PM | D02676 | 33 | | 27-58-21 | D04887J | 33 | | R2 | | | |
| 304Y | 24 | PM | D02676 | 34 | | 27-58-21 | D04887J | 34 | | R2 | | | |
| 438F | 20 | UA | D02162 | | | 73-21-12 | GDX0002 | S.. | 2 | R2 | 4 | | |
| 500 | 24 | PK | D05644J | 40 | | 21-58-11 | D01872 | 1 | | R2 | 3 | | |
| 502 | 24 | PK | D02162 | 57 | | 34-61-13 | TB0158Y | A001 | BJ | R2 | 3 | | |
| 503 | 24 | PK | D02162 | 55 | | 34-61-13 | TB0158Y | C022 | BJ | R2 | 4 | | |
| 504 | 24 | PK | D02162 | 1 | | 34-61-13 | TB0158Y | A021 | BJ | R2 | 4 | | |
| 505 | 24 | PK | D02162 | 21 | | 34-61-13 | TB0158Y | C021 | BJ | R2 | 4 | | |
| 506 | 24 | PK | D02162 | 29 | | 34-61-13 | TB0158Y | A022 | BJ | R2 | 4 | | |

286T1080-211
Wire Bundle Assembly
Figure 112 (Sheet 6)

25-71-01

TESTING & FAULT ISOLATION
01

Page 135
Nov 01/02

| WIRE | | FROM EQUIPMENT | | | TO EQUIPMENT | | | WIRE INFO | | | | | |
|--------|----|----------------|--------------|------|--------------|---------|--------|-----------|----|---------|----|-------|-------------|
| NUMBER | GA | TYP | NUMBER | TERM | TT | WDM REF | NUMBER | TERM | TT | EMC/SEP | FT | NOTES | EFFECTIVITY |
| 507 | 24 | PK | TB0158Y A001 | BJ | 34-61-23 | D04809J | 1 | | | R2 | 3 | | |
| 508 | 24 | PK | TB0158Y C022 | BJ | 34-61-23 | D04809J | 2 | | | R2 | 3 | | |
| 509 | 24 | PK | TB0158Y A021 | BJ | 34-61-23 | D04809J | 3 | | | R2 | 3 | | |
| 510 | 24 | PK | TB0158Y C021 | BJ | 34-61-23 | D04809J | 4 | | | R2 | 3 | | |
| 511 | 24 | PK | TB0158Y A022 | BJ | 34-61-23 | D04809J | 5 | | | R2 | 3 | | |
| 512 | 24 | PV | TB0182Y A005 | BJ | 34-61-23 | D04809J | 6 | | | L2 | 3 | | |
| 512Z | | | D04809J DED | | 34-61-23 | TB0182Y | DED | | | R2 | | | |
| 513 | 24 | PV | TB0182Y A004 | BJ | 34-61-23 | D04809J | 7 | | | L2 | 3 | | |
| 513Z | | | D04809J DED | | 34-61-23 | TB0182Y | DED | | | R2 | | | |
| 514 | 24 | PV | TB0182Y A009 | BJ | 34-61-23 | D04809J | 8 | | | L2 | 3 | | |
| 514Z | | | D04809J DED | | 34-61-23 | TB0182Y | DED | | | R2 | | | |
| 515 | 24 | PV | TB0182Y C009 | BJ | 34-61-23 | D04809J | 9 | | | L2 | 3 | | |
| 515Z | | | D04809J DED | | 34-61-23 | TB0182Y | DED | | | R2 | | | |
| 516 | 24 | PV | TB0182Y A010 | BJ | 34-61-23 | D04809J | 10 | | | L2 | 3 | | |
| 516Z | | | D04809J DED | | 34-61-23 | TB0182Y | DED | | | R2 | | | |
| 518 | 22 | PA | D02676 43 | | 27-58-21 | GDX0002 | D.. | 2 | | R2 | 4 | | |
| 521 | 22 | PA | D02676 29 | | 27-61-11 | D04887J | 27 | | | R2 | 3 | | |
| 523 | 22 | PA | D02676 26 | | 22-24-21 | D04887J | 1 | | | R2 | 3 | | |
| 525 | 24 | PK | D01868 3 | | 21-51-21 | TB0158Y | A006 | BJ | | R2 | 4 | | |
| 526 | 24 | PK | D01868 16 | | 21-51-21 | TB0158Y | C010 | BJ | | R2 | 4 | | |
| 527 | 24 | PK | D01868 37 | | 21-51-21 | TB0158Y | A010 | BJ | | R2 | 4 | | |
| 528 | 24 | PK | D01868 38 | | 21-51-21 | D08032J | 4 | | | R2 | 4 | | |
| 530 | 24 | PK | D02162 33 | | 73-21-15 | TB0158J | 26 | 2 | | R2 | 4 | | |
| 533 | 24 | PK | TB0182X D012 | BJ | 73-21-17 | D08032J | 31 | | | R2 | 3 | | |
| 534 | 24 | PK | D02162 54 | | 73-21-16 | D08032J | 30 | | | R2 | 3 | | |
| 538 | 24 | PK | D01868 30 | | 21-53-22 | TB0182X | C011 | BJ | | R2 | 4 | | |
| 540 | 24 | PK | D08032J 37 | | 21-58-11 | TB0182Y | C002 | BJ | | R2 | 2 | | |
| 542 | 24 | PV | D05552J 41 | | 73-21-11 | TB0182Y | C006 | BJ | | R2 | 3 | | |
| 542Z | | | TB0182Y C004 | BJ | 73-21-11 | D05552J | 59 | | | R2 | | | |
| 543 | 24 | PK | D01872 11 | | 21-58-12 | TB0182X | D028 | BJ | | R2 | 3 | | |
| 544JA | 24 | PV | TB0248Y C003 | BJ | 73-21-17 | TB0248Z | 5 | BJ | | R2 | 2 | | |

286T1080-211
Wire Bundle Assembly
Figure 112 (Sheet 7)

25-71-01



BOEING
COMPONENT
MAINTENANCE MANUAL

| WIRE | | | FROM EQUIPMENT | | | | TO EQUIPMENT | | | | WIRE INFO | | | |
|--------|----|-----|----------------|------|----|----------|--------------|------|----|---------|-----------|-------|-------------|--|
| NUMBER | GA | TYP | NUMBER | TERM | TT | WDM REF | NUMBER | TERM | TT | EMC/SEP | FT | NOTES | EFFECTIVITY | |
| 544Z | | | TB0248Y | A004 | BJ | 73-21-17 | TB0248Z | 6 | BJ | R2 | | | | |
| 552 | 24 | PV | D08032J | 55 | | 73-21-17 | TB0248Z | 5 | BJ | R2 | 3 | | | |
| 552Z | | | D08032J | 56 | | 73-21-17 | TB0248Z | 6 | BJ | R2 | | | | |
| 558 | 24 | PK | TB0158Y | A010 | BJ | 21-51-21 | D05552J | 15 | | R2 | 3 | | | |
| 600 | 22 | PA | D02676 | 44 | | 27-41-21 | D04887J | 26 | | R2 | 3 | | | |
| 601 | 24 | PK | D04809J | 23 | | 31-51-42 | TB0182D | C026 | 2 | R2 | 3 | | | |
| 603 | 24 | PK | D02162 | 12 | | 73-21-11 | D08032J | 1 | | R2 | 3 | | | |
| 604 | 22 | PQ | D02162 | 9 | | 73-21-11 | D05766J | 29 | | R2 | 3 | | | |
| 604F | 20 | UA | D02162 | | | 73-21-11 | GDX0004 | S.. | 2 | R2 | 4 | | | |
| 604Z | | | D02162 | | | 73-21-11 | D05766J | 28 | | R2 | 4 | | | |
| 605 | 22 | PA | D02162 | 16 | | 73-21-11 | GDX0005 | D.. | 2 | R2 | 4 | | | |
| 606 | 22 | PA | D02162 | 38 | | 73-21-11 | D08032J | 13 | | R2 | 3 | | | |
| 607 | 22 | PA | D02162 | 5 | | 73-21-11 | D08032J | 12 | | R2 | 3 | | | |
| 608 | 24 | PK | D02162 | 49 | | SPARE | TB0182X | A015 | BJ | R2 | 4 | | | |
| 609 | 24 | PV | D08032J | 11 | | 73-21-17 | TB0248Z | 5 | BJ | R2 | 2 | | | |
| 609Z | | | D08032J | 28 | | 73-21-17 | TB0248Z | 6 | BJ | R2 | 2 | | | |
| 610 | 24 | PK | D02162 | 18 | | 73-21-11 | TB0182X | B015 | BJ | R2 | 4 | | | |
| 611 | 24 | PK | D02162 | 10 | | 73-21-11 | TB0182X | C015 | BJ | R2 | 4 | | | |
| 612 | 24 | PK | D02162 | 15 | | 73-21-11 | TB0182X | D015 | BJ | R2 | 4 | | | |
| 613 | 24 | PV | D02162 | 52 | | 73-21-11 | D08032J | 14 | | R2 | 3 | | | |
| 613F | 20 | UA | D02162 | | | 73-21-11 | GDX0005 | S.. | 2 | R2 | 4 | | | |
| 613Z | | | D02162 | | | 73-21-11 | D08032J | 15 | | R2 | 4 | | | |
| 685 | 24 | PV | D05766J | 25 | | 73-21-11 | TB0182Y | C006 | BJ | R2 | 3 | | | |
| 685Z | | | D05766J | 26 | | 73-21-11 | TB0182Y | C004 | BJ | R2 | 3 | | | |
| 700 | 24 | PK | D02676 | 14 | | 31-31-21 | D04809J | 17 | | R2 | 3 | | | |
| 701 | 22 | PA | TB0182Y | C001 | BJ | 21-51-21 | D08032J | 54 | | R2 | 3 | | | |
| 703 | 24 | PK | D02676 | 16 | | 31-31-21 | D04809J | 18 | | R2 | 3 | | | |
| 706 | 24 | PK | D08032J | 51 | | 30-31-21 | TB0248Y | A014 | BJ | R2 | 3 | | | |
| 707 | 24 | PK | TB0248X | D002 | BJ | 30-34-21 | D08032J | 52 | | R2 | 3 | | | |
| 708 | 24 | PK | D01870 | 24 | | 21-51-13 | D05552J | 5 | | R2 | 4 | | | |
| 712 | 24 | PK | D01874 | 2 | | 21-25-11 | TB0248D | A020 | 2 | R2 | 4 | | | |

286T1080-211
Wire Bundle Assembly
Figure 112 (Sheet 8)

25-71-01

| WIRE | | | FROM EQUIPMENT | | | | TO EQUIPMENT | | | | WIRE INFO | | | |
|--------|----|-----|----------------|------|----|----------|--------------|------|----|---------|-----------|-------|-------------|--|
| NUMBER | GA | TYP | NUMBER | TERM | TT | WDM REF | NUMBER | TERM | TT | EMC/SEP | FT | NOTES | EFFECTIVITY | |
| 713 | 24 | PK | TB0248D | C020 | 2 | 21-25-11 | TB0248Y | C010 | BJ | R2 | 3 | | | |
| 714 | 22 | PA | D08032J | 53 | | 73-21-19 | D02676 | 28 | | R2 | 3 | | | |
| 715 | 22 | PA | D05766J | 15 | | 24-51-52 | TB0248X | A015 | BJ | R2 | 3 | | | |
| 716 | 22 | PA | D05766J | 16 | | 24-51-52 | TB0248X | B015 | BJ | R2 | 3 | | | |
| 718 | 22 | PA | D05766J | 17 | | 24-51-52 | TB0248X | C015 | BJ | R2 | 3 | | | |
| 719 | 22 | PA | D05766J | 18 | | 24-51-52 | TB0248X | D015 | BJ | R2 | 3 | | | |
| 720 | 24 | PK | TB0158Y | C008 | BJ | 73-21-15 | D02162 | 24 | | R2 | 4 | | | |
| 764 | 24 | PV | D08032J | 48 | | 73-21-11 | TB0248Z | 5 | BJ | R2 | 3 | | | |
| 764Z | | | D08032J | | | 73-21-11 | TB0248Z | 6 | BJ | R2 | 3 | | | |
| 766 | 24 | PK | D02676 | 24 | | 21-51-21 | TB0182D | C021 | 2 | R2 | 4 | | | |
| 768 | 24 | PK | D08032J | 40 | | 21-58-11 | TB0158Y | C001 | BJ | R2 | 3 | | | |
| 769 | 24 | PK | D02676 | 52 | | 27-51-11 | D08032J | 36 | | R2 | 3 | | | |
| 775 | 24 | PK | D01872 | 8 | | 21-58-11 | GDX0002 | D.. | 2 | R2 | 4 | | | |
| 776 | 24 | PK | D05844J | 33 | | 21-26-11 | TB0158F | A020 | 2 | R2 | 3 | | | |
| 778 | 24 | PK | D05552J | 53 | | 73-21-15 | TB0248X | C012 | BJ | R2 | 2 | | | |
| 779 | 24 | PK | D05552J | 52 | | 73-21-15 | TB0248X | D012 | BJ | R2 | 2 | | | |
| 780 | 24 | PK | D05552J | 55 | | 73-21-15 | D02162 | 27 | | R2 | 3 | | | |
| 781 | 24 | PK | D08032J | 45 | | 73-21-19 | TB0248D | C021 | 2 | R2 | 3 | | | |

286T1080-211
Wire Bundle Assembly
Figure 112 (Sheet 9)

25-71-01



BOEING
COMPONENT
MAINTENANCE MANUAL

| WIRES | | FROM EQUIPMENT | | | TO EQUIPMENT | | | WIRES INFO | | | | |
|--------|----|----------------|---------|------|--------------|----------|---------|------------|----|---------|----------------------------|--|
| NUMBER | GA | TYP | NUMBER | TERM | TT | WDM REF | NUMBER | TERM | TT | EMC/ FT | NOTES | EFFECTIVITY |
| FRA | | | D08032J | 39 | | 73-21-11 | D08032J | | | R2 | | |
| FRF | | | D08032J | | | 73-21-12 | D08032J | 34 | | R2 | | |
| FRI | | | D05552J | 57 | | 73-21-17 | D05552J | | | R2 | | |
| PA1 | | | D01874 | 26 | | 21-26-11 | D01874 | 34 | | R2 | DAW-B2 | |
| PB1 | | | D01868 | 25 | | 21-51-21 | D01868 | 35 | | R2 | DAW-B2 | |
| PC1 | | | D01870 | 22 | | 21-53-12 | D01870 | 38 | | R2 | DAW-B2 | |
| PD1 | | | D01872 | 24 | | 21-58-11 | D01872 | 36 | | R2 | DAW-B2 | |
| PE1 | | | D02176 | 26 | | 21-58-15 | D02176 | 34 | | R2 | DAW-B2 | |
| PG1 | | | D02162 | 11 | | 73-21-15 | D02162 | 20 | | R2 | DAW-B2 | |
| PH1 | | | D02676 | 47 | | 27-58-21 | D02676 | 64 | | R2 | DAW-B2 | |
| 1 | 24 | PK | D01868 | 19 | | 21-51-21 | D05552J | 18 | | R2 | | |
| 2 | 22 | PA | D01868 | 21 | | 21-51-21 | GDX0002 | D.. | 2 | R2 | | |
| 4 | 24 | PK | D01868 | 14 | | 21-51-21 | D05552J | 6 | | R2 | | |
| 5 | 24 | PK | D01868 | 8 | | 21-51-21 | D05552J | 7 | | R2 | | |
| 6 | 24 | PK | D01868 | 7 | | 21-51-21 | D05552J | 8 | | R2 | | |
| 7 | 24 | PK | D01868 | 36 | | 21-51-21 | TB0158Y | C002 | BJ | R2 | | |
| 8 | 24 | PK | D01868 | 15 | | 21-51-11 | TB0158Y | A002 | BJ | R2 | | |
| 9 | 24 | PK | D01868 | 17 | | 21-51-21 | D08032J | 38 | | R2 | | |
| 01A | 24 | PK | TB0158F | A017 | 2 | 21-26-11 | D05644J | 27 | | R2 | MNU-F2 MLA-T2 ZSZ-B6 | VN118-VN118 |
| 01A | 24 | PK | TB0158F | A017 | 2 | 21-26-11 | D05644J | 27 | | R2 | | VN119-VN129, VN821-VN920 |
| 01A | 24 | PK | TB0158F | A017 | 2 | 21-26-11 | D05644J | 27 | | R2 | | VN130-VN150, VS246-VS248 |
| 10 | 24 | PK | TB0248X | B001 | BJ | 31-51-41 | D04809J | 12 | | R2 | | |
| 13 | 24 | PK | D05552J | 25 | | 21-51-21 | TB0158Y | A008 | BJ | R2 | | |
| 14 | 24 | PK | D01868 | 4 | | 21-51-21 | TB0158Y | A008 | BJ | R2 | | |
| 15 | 24 | PK | D01868 | 5 | | 21-51-21 | TB0158Y | C007 | BJ | R2 | | |
| 16 | 24 | PK | D01868 | 22 | | 21-51-21 | D05552J | 21 | | R2 | | |
| 17 | 24 | PK | D01868 | 1 | | 21-51-21 | D05552J | 22 | | R2 | | |
| 18 | 24 | PK | D01868 | 27 | | 21-51-21 | TB0182D | A021 | 2 | R2 | | VN118-VN124, VN130-VN132 |
| 18 | 24 | PK | D01868 | 27 | | 21-51-21 | D02676 | 24 | | R2 | | VN125-VN129, VN133-VN150, VN821-VN920, VS246-VS248 |

286T1080-212
Wire Bundle Assembly
Figure 113 (Sheet 1)

25-71-01

TESTING & FAULT ISOLATION
01

Page 136C
Nov 01/02

| WIRE | | | FROM EQUIPMENT | | | TO EQUIPMENT | | | WIRE INFO | | | | |
|--------|----|-----|----------------|------|----|--------------|---------|------|-----------|---------|----|-------|----------------------------|
| NUMBER | GA | TYP | NUMBER | TERM | TT | WDM REF | NUMBER | TERM | TT | EMC/SEP | FT | NOTES | EFFECTIVITY |
| 19 | 24 | PK | D01868 | 6 | | 21-51-21 | D02676 | 27 | | R2 | 3 | | |
| 20 | 22 | PA | D01868 | 28 | | 21-51-21 | TB0182Y | C001 | BJ | R2 | 4 | | |
| 21 | 24 | PK | D01868 | 31 | | 21-25-21 | D05552J | 27 | | R2 | 4 | | |
| 22 | 24 | PK | D01868 | 9 | | 21-53-21 | D08032J | 46 | | R2 | 4 | | |
| 23 | 24 | PK | D01868 | 26 | | 21-53-22 | TB0158F | C012 | 2 | R2 | 4 | | |
| 24 | 24 | PK | D05552J | 31 | | 21-51-21 | TB0158Y | C007 | BJ | R2 | 2 | | |
| 25 | 24 | PK | D01868 | 2 | | 21-51-21 | D05552J | 4 | | R2 | 4 | | |
| 26 | 24 | PK | D01868 | 32 | | 73-21-15 | D05552J | 54 | | R2 | 3 | | |
| 27 | 24 | PK | D02162 | 25 | | 73-21-15 | D01868 | 18 | | R2 | 3 | | |
| 28 | 22 | PA | D01868 | 10 | | 21-51-21 | TB0158Y | C009 | BJ | R2 | 4 | | VN118-VN118 |
| 29 | 24 | PK | D01874 | 29 | | 21-26-11 | D05644J | 26 | | R2 | 4 | | MOT-F2 MLA-F2 ZSZ-B6 |
| 29 | 24 | PK | D01874 | 29 | | 21-26-11 | D05644J | 26 | | R2 | 4 | | VN119-VN129, VN821-VN920 |
| 29 | 24 | PK | D01874 | 29 | | 21-26-11 | D05644J | 26 | | R2 | 3 | | VN130-VN150, VS246-VS248 |
| 30 | 24 | PK | D01868 | 12 | | 21-51-21 | TB0158Y | A009 | BJ | R2 | 4 | | |
| 32 | 22 | PA | TB0182Y | C001 | BJ | 21-51-21 | D05552J | 24 | | R2 | 3 | | |
| 34 | 22 | PA | TB0158Y | C009 | BJ | 21-51-21 | D05552J | 23 | | R2 | 3 | | |
| 35 | 24 | PK | D01874 | 1 | | 21-25-21 | D05552J | 29 | | R2 | 4 | | |
| 36 | 22 | PA | D01874 | 3 | | 21-25-21 | GD0002 | D.. | 2 | R2 | 4 | | |
| 37 | 24 | PK | D01874 | 24 | | 21-25-21 | D05552J | 26 | | R2 | 4 | | |
| 38 | 22 | PA | D01874 | 4 | | 21-25-21 | GD0004 | D.. | 2 | R2 | 4 | | |
| 39 | 24 | PK | D01874 | 22 | | 21-25-21 | D05552J | 28 | | R2 | 4 | | |
| 40 | 24 | PK | D01874 | 23 | | 21-25-21 | D05552J | 30 | | R2 | 4 | | |
| 41 | 24 | PK | D02176 | 13 | | 21-58-15 | D05644J | 8 | | R2 | 3 | | |
| 42 | 22 | PA | D02176 | 15 | | 21-58-15 | GD0004 | D.. | 2 | R2 | 4 | | |
| 43 | 22 | PA | D02176 | 12 | | 21-58-15 | TB0182X | C016 | BJ | R2 | 4 | | |
| 44 | 24 | PK | D02176 | 33 | | 21-58-15 | D05644J | 4 | | R2 | 3 | | |
| 45 | 24 | PK | D02176 | 11 | | 21-58-15 | D05644J | 7 | | R2 | 3 | | |
| 46 | 24 | PK | D02176 | 32 | | 21-58-15 | D05644J | 1 | | R2 | 3 | | |
| 47 | 24 | PK | D05766J | 13 | | 36-11-52 | TB0248X | B012 | BJ | R2 | 3 | | |
| 48 | 24 | PK | D02176 | 37 | | 21-58-15 | TB0248X | A012 | BJ | R2 | 3 | | |

286T1080-212
Wire Bundle Assembly
Figure 113 (Sheet 2)

25-71-01



BOEING
COMPONENT
MAINTENANCE MANUAL

| WIRE | | | FROM EQUIPMENT | | | TO EQUIPMENT | | | WIRE INFO | | | | |
|--------|----|-----|----------------|------|----|--------------|---------|------|-----------|---------|----|-------|-------------|
| NUMBER | GA | TYP | NUMBER | TERM | TT | WDM REF | NUMBER | TERM | TT | EMC/SEP | FT | NOTES | EFFECTIVITY |
| 50 | 24 | PK | D01874 | 7 | | 21-26-11 | D05644J | 21 | | R2 | 3 | | |
| 51 | 22 | PA | D01874 | 9 | | 21-26-11 | GDX0002 | D.. | 2 | R2 | 4 | | |
| 52 | 24 | PK | D01874 | 28 | | 21-26-11 | D05644J | 22 | | R2 | 3 | | |
| 53 | 24 | PK | D01874 | 8 | | 21-26-11 | D05644J | 18 | | R2 | 3 | | |
| 54 | 24 | PK | D01874 | 6 | | 21-26-11 | D05644J | 20 | | R2 | 3 | | |
| 55 | 24 | PK | D01874 | 27 | | 21-26-11 | D05644J | 17 | | R2 | 3 | | |
| 56 | 24 | PK | D01874 | 36 | | 21-26-11 | D05644J | 32 | | R2 | 3 | | |
| 63 | 24 | PK | D02176 | 14 | | 21-58-15 | TB0158F | C020 | 2 | R2 | 4 | | |
| 64 | 24 | PK | D05552J | 1 | | 73-21-18 | TB0182Y | C008 | BJ | R2 | 3 | | |
| 65 | 24 | PK | D05552J | 2 | | 73-21-18 | TB0182X | A016 | BJ | R2 | 3 | | |
| 66 | 24 | PK | D01874 | 35 | | 21-26-11 | TB0248X | C011 | BJ | R2 | 4 | | |
| 67 | 24 | PK | TB0158F | C017 | 2 | 21-58-15 | D02176 | 38 | | R2 | 4 | | |
| 68 | 24 | PK | D01870 | 19 | | 21-53-12 | D05552J | 45 | | R2 | 4 | | |
| 69 | 22 | PA | D01870 | 21 | | 21-53-12 | GDX0002 | D.. | 2 | R2 | 5 | | |
| 70 | 24 | PK | D01870 | 6 | | 21-53-12 | D05552J | 40 | | R2 | 4 | | |
| 71 | 24 | PK | D01870 | 3 | | 21-53-12 | TB0182X | B012 | BJ | R2 | 4 | | |
| 72 | 24 | PK | D01870 | 37 | | 21-53-12 | D05552J | 42 | | R2 | 4 | | |
| 73 | 24 | PK | D01870 | 36 | | 21-53-12 | D05552J | 43 | | R2 | 4 | | |
| 74 | 24 | PK | D01870 | 35 | | 21-53-12 | D05552J | 44 | | R2 | 4 | | |
| 75 | 24 | PK | D01870 | 8 | | 21-53-12 | TB0158F | A012 | 2 | R2 | 4 | | |
| 76 | 24 | PK | D01870 | 4 | | 21-53-12 | D05552J | 50 | | R2 | 4 | | |
| 77 | 24 | PK | D01870 | 10 | | 21-53-12 | D05552J | 51 | | R2 | 4 | | |
| 78 | 24 | PK | D01870 | 7 | | 21-53-12 | D05552J | 48 | | R2 | 4 | | |
| 79 | 24 | PK | D01870 | 11 | | 21-53-12 | D05552J | 49 | | R2 | 4 | | |
| 80 | 24 | PK | D01870 | 12 | | 21-53-12 | D05552J | 46 | | R2 | 4 | | |
| 81 | 24 | PK | D01870 | 9 | | 21-53-12 | D05552J | 47 | | R2 | 4 | | |
| 82 | 24 | PK | D01870 | 16 | | 21-53-12 | D05552J | 34 | | R2 | 4 | | |
| 83 | 24 | PK | D01870 | 14 | | 21-53-12 | D05552J | 35 | | R2 | 4 | | |
| 84 | 24 | PK | D01870 | 15 | | 21-53-12 | D05552J | 36 | | R2 | 4 | | |
| 85 | 24 | PK | D01870 | 13 | | 21-53-12 | D05552J | 37 | | R2 | 4 | | |
| 86 | 24 | PK | D01870 | 18 | | 21-53-12 | D05552J | 38 | | R2 | 4 | | |
| 87 | 24 | PK | D01870 | 17 | | 21-53-12 | D05552J | 39 | | R2 | 4 | | |

286T1080-212
Wire Bundle Assembly
Figure 113 (Sheet 3)

25-71-01

| WIRE | | | FROM EQUIPMENT | | | TO EQUIPMENT | | | WIRE INFO | | | |
|--------|----|-----|----------------|---------|----------|--------------|---------|---------|-----------|-------|-------------|--|
| NUMBER | GA | TYP | NUMBER | TERM TT | WDM REF | NUMBER | TERM TT | EMC/SEP | FT | NOTES | EFFECTIVITY | |
| 88 | 24 | PK | D01870 | 5 | 21-53-12 | D05552J | 33 | R2 | 4 | | | |
| 89 | 24 | PV | D01872 | 19 | 21-58-11 | TB0158F | C011 | S2 | 3 | | | |
| 089Z | | | D01872 | DED | 21-58-11 | TB0158F | DED | S2 | | | | |
| 90 | 22 | PA | D01872 | 41 | 21-58-11 | GDX0002 | D.. | R2 | 4 | | | |
| 91 | 24 | PK | D01872 | 3 | 21-58-11 | TB0182Y | C002 | R2 | 3 | | | |
| 92 | 24 | PK | D01872 | 4 | 21-58-11 | TB0158Y | C001 | R2 | 3 | | | |
| 93 | 24 | PK | D01872 | 5 | 21-58-11 | TB0182Y | A001 | R2 | 3 | | | |
| 94 | 24 | PK | D01872 | 6 | 21-58-11 | TB0248X | A001 | R2 | 3 | | | |
| 96 | 24 | PK | D01872 | 7 | 21-58-12 | TB0182X | B028 | R2 | 4 | | | |
| 98 | 24 | PK | D01872 | 10 | 21-58-12 | TB0182X | A028 | R2 | 4 | | | |
| 99 | 24 | PK | D01872 | 9 | 21-58-12 | TB0182X | C028 | R2 | 4 | | | |
| 101 | 22 | PA | D01872 | 15 | 21-58-11 | TB0182X | B011 | R2 | 3 | | | |
| 102 | 24 | PK | D01872 | 12 | 33-16-11 | D05552J | 61 | R2 | 3 | | | |
| 103 | 24 | PK | D05644J | 41 | 21-58-11 | D01872 | 20 | R2 | 3 | | | |
| 105 | 22 | PA | D01872 | 21 | 21-58-11 | GDX0002 | D.. | R2 | 4 | | | |
| 107 | 24 | PK | D01872 | 14 | 21-58-11 | D05644J | 28 | R2 | 3 | | | |
| 109 | 22 | PA | D01872 | 17 | 21-58-11 | TB0158F | A011 | R2 | 3 | | | |
| 111 | 22 | PA | TB0182Y | A002 | 21-58-11 | D05644J | 24 | R2 | 3 | | | |
| 124 | 24 | PK | D05552J | 3 | 21-25-21 | D01874 | 25 | R2 | 4 | | | |
| 143 | 24 | PK | D05552J | 9 | 21-51-21 | TB0158Y | C002 | R2 | 3 | | | |
| 147 | 24 | PK | D02676 | 22 | 22-12-21 | D04887J | 6 | R2 | 3 | | | |
| 148 | 24 | PK | D02676 | 23 | 22-12-21 | D04887J | 7 | R2 | 3 | | | |
| 150 | 22 | PA | D02676 | 8 | 27-58-21 | GDX0002 | A.. | R2 | 4 | | | |
| 152 | 24 | PK | D02676 | 7 | 27-58-21 | D08032J | 2 | R2 | 3 | | | |
| 155 | 24 | PK | D02676 | 38 | 22-12-21 | D04887J | 8 | R2 | 3 | | | |
| 156 | 24 | PK | D02676 | 39 | 22-12-21 | D04887J | 9 | R2 | 3 | | | |
| 157 | 24 | PK | D02162 | 66 | 73-21-15 | TB0182Y | A003 | R2 | 4 | | | |
| 158 | 24 | PV | D02162 | 32 | 73-21-17 | TB0182X | C012 | R2 | 3 | | | |
| 158Z | | | D02162 | DED | 73-21-17 | TB0182X | DED | R2 | | | | |
| 159 | 24 | PV | TB0248Y | C003 | 73-21-17 | D05552J | 32 | R2 | 3 | | | |
| 159F | 20 | UA | GDX0002 | S.. | 73-21-17 | D05552J | | R2 | 2 | | | |
| 159Z | | | TB0248Y | A004 | 73-21-17 | D05552J | | R2 | | | | |

286T1080-212
Wire Bundle Assembly
Figure 113 (Sheet 4)

25-71-01



BOEING
COMPONENT
MAINTENANCE MANUAL

| WIRE | | FROM EQUIPMENT | | | TO EQUIPMENT | | WIRE INFO | | | | |
|--------|----|----------------|---------|---------|--------------|---------|-----------|---------|----|-------|-------------|
| NUMBER | GA | TYP | NUMBER | TERM TT | WDM REF | NUMBER | TERM TT | EMC/SEP | FT | NOTES | EFFECTIVITY |
| 160 | 24 | PK | D08032J | 33 | 73-21-19 | TB0248D | A021 | R2 | 3 | | |
| 161 | 24 | PK | D02162 | 19 | 73-21-19 | TB0248D | C021 | R2 | 3 | | |
| 162 | 22 | PA | D02162 | 2 | 73-21-19 | D08032J | 19 | R2 | 3 | | |
| 163 | 24 | PK | D02162 | 35 | 73-21-19 | D08032J | 32 | R2 | 3 | | |
| 164 | 20 | UA | D02162 | | 73-21-17 | GDX0002 | S.. | R2 | 3 | | |
| 167 | 24 | PK | D04887J | 15 | 22-32-13 | D02162 | 62 | R2 | 3 | | |
| 168 | 24 | PV | D02162 | 6 | 73-21-17 | TB0248Z | 5 | BJ | 4 | | |
| 168Z | 24 | PV | D02162 | | 73-21-17 | TB0248Z | 6 | BJ | | | |
| 169 | 24 | PV | D02162 | 8 | 73-21-12 | D08032J | 16 | R2 | 3 | | |
| 169Z | 24 | PV | D02162 | | 73-21-12 | D08032J | | R2 | | | |
| 170 | 24 | PK | D02162 | 7 | 73-21-12 | D08032J | 29 | R2 | 3 | | |
| 172 | 22 | PQ | D08032J | 5 | 73-21-11 | TB0182X | A027 | BJ | 3 | | |
| 172Z | 24 | PK | D08032J | | 73-21-11 | TB0182X | B027 | BJ | | | |
| 173 | 24 | PK | TB0182Y | C003 | 73-21-17 | D02162 | 61 | R2 | 4 | | |
| 174 | 24 | PK | D04887J | 14 | 22-32-13 | D02162 | 53 | R2 | 3 | | |
| 176 | 24 | PK | D04887J | 18 | 22-32-13 | D02162 | 30 | R2 | 3 | | |
| 177 | 22 | PQ | D08032J | 43 | 73-21-19 | TB0248Y | C003 | BJ | 2 | | |
| 177Z | 24 | PK | D08032J | 44 | 73-21-19 | TB0248Y | A004 | BJ | | | |
| 178 | 24 | PK | D02162 | 64 | 73-21-16 | D08032J | 35 | R2 | 3 | | |
| 181 | 24 | PK | D08032J | 6 | 73-21-18 | TB0182X | A012 | BJ | 3 | | |
| 182 | 24 | PK | D08032J | 3 | 73-21-17 | TB0182Y | C003 | BJ | 3 | | |
| 183 | 24 | PK | TB0182Y | C005 | 73-21-15 | D08032J | 17 | R2 | 3 | | |
| 184 | 24 | PK | TB0182Y | A006 | 22-32-13 | D04887J | 11 | R2 | 3 | | |
| 185 | 24 | PK | TB0182Y | A003 | 22-32-13 | D04887J | 12 | R2 | 3 | | |
| 191 | 24 | PK | D02162 | 42 | 73-21-17 | TB0182Y | C003 | BJ | 4 | | |
| 195 | 24 | PK | D04887J | 17 | 22-32-13 | D02162 | 23 | R2 | 3 | | |
| 196 | 24 | PK | D02162 | 59 | 73-21-15 | TB0182Y | C005 | BJ | 4 | | |
| 197 | 24 | PK | D04887J | 16 | 22-32-13 | D02162 | 26 | R2 | 3 | | |
| 198 | 24 | PK | D02162 | 65 | 73-21-15 | TB0182Y | A006 | BJ | 4 | | |
| 201B | 24 | PL | D02676 | 17 | 27-51-11 | D08032J | 25 | R2 | 3 | | |
| 201R | 24 | PL | D02676 | 18 | 27-51-11 | D08032J | 26 | R2 | | | |
| 202B | 24 | PL | D02676 | 9 | 27-58-21 | D08032J | 20 | R2 | 3 | | |

286T1080-212
Wire Bundle Assembly
Figure 113 (Sheet 5)

25-71-01

| WIRE | | FROM EQUIPMENT | | | TO EQUIPMENT | | | WIRE INFO | | | | | |
|--------|----|----------------|---------|------|--------------|----------|---------|-----------|----|---------|----|-------|--|
| NUMBER | GA | TYP | NUMBER | TERM | TT | WDM REF | NUMBER | TERM | TT | EMC/SEP | FT | NOTES | EFFECTIVITY |
| 202R | 24 | PL | D02676 | 10 | | 27-58-21 | D08032J | 21 | | R2 | | | |
| 203B | 22 | PB | D02676 | 41 | | 27-41-21 | D04887J | 5 | | R2 | 3 | | |
| 203R | 22 | PB | D02676 | 40 | | 27-41-21 | D04887J | 4 | | R2 | | | |
| 206B | 24 | PL | D02676 | 35 | | 27-58-21 | D04887J | 30 | | R2 | 3 | | |
| 206R | 24 | PL | D02676 | 31 | | 27-58-21 | D04887J | 31 | | R2 | | | |
| 207B | 24 | PL | D02676 | 21 | | 27-32-21 | D04887J | 29 | | R2 | 3 | | |
| 207R | 24 | PL | D02676 | 19 | | 27-32-21 | D04887J | 28 | | R2 | | | |
| 211B | 24 | PW | D08032J | 50 | | 77-12-13 | TB0182X | C014 | BJ | R2 | 3 | | |
| 211R | 24 | PW | D08032J | 47 | | 77-12-13 | TB0182X | B014 | BJ | R2 | | | |
| 211Z | 24 | PW | D08032J | 49 | | 77-12-13 | TB0182X | A014 | BJ | R2 | | | |
| 217B | 24 | PW | D04809J | 20 | | 36-11-62 | D05766J | 10 | | R2 | 3 | | |
| 217R | 24 | PW | D04809J | 19 | | 36-11-62 | D05766J | 9 | | R2 | | | |
| 217Z | 24 | PW | D04809J | 21 | | 36-11-62 | D05766J | 8 | | R2 | | | |
| 218B | 24 | PW | D05552J | 11 | | 77-12-13 | TB0182X | C013 | BJ | R2 | 3 | | |
| 218R | 24 | PW | D05552J | 10 | | 77-12-13 | TB0182X | B013 | BJ | R2 | | | |
| 218Z | 24 | PW | D05552J | 12 | | 77-12-13 | TB0182X | A013 | BJ | R2 | | | |
| 219B | 22 | PB | D05644J | 37 | | 36-11-52 | D08032J | 10 | | R2 | 3 | | |
| 219R | 22 | PB | D05644J | 36 | | 36-11-52 | D08032J | 9 | | R2 | | | |
| 221 | 22 | PA | D05644J | 30 | | 21-23-11 | TB0158Y | C009 | BJ | R2 | 4 | | VN125-VN129, VN133-VN150, VN821-VN920, VS246-VS248 |
| 301B | 24 | PM | D02676 | 12 | | 27-58-21 | D08032J | 22 | | R2 | 3 | | |
| 301R | 24 | PM | D02676 | 13 | | 27-58-21 | D08032J | 23 | | R2 | | | |
| 301Y | 24 | PM | D02676 | 11 | | 27-58-21 | D08032J | 24 | | R2 | | | |
| 304B | 24 | PM | D02676 | 32 | | 27-58-21 | D04887J | 32 | | R2 | 3 | | |
| 304R | 24 | PM | D02676 | 33 | | 27-58-21 | D04887J | 33 | | R2 | | | |
| 304Y | 24 | PM | D02676 | 34 | | 27-58-21 | D04887J | 34 | | R2 | | | |
| 438F | 20 | UA | D02162 | | | 73-21-12 | GDX0002 | S.. | 2 | R2 | 4 | | |
| 500 | 24 | PK | D05644J | 40 | | 21-58-11 | D01872 | 1 | | R2 | 3 | | |
| 502 | 24 | PK | D02162 | 57 | | 34-61-13 | TB0158Y | A001 | BJ | R2 | 3 | | |
| 503 | 24 | PK | D02162 | 55 | | 34-61-13 | TB0158Y | C022 | BJ | R2 | 4 | | |
| 504 | 24 | PK | D02162 | 1 | | 34-61-13 | TB0158Y | A021 | BJ | R2 | 4 | | |
| 505 | 24 | PK | D02162 | 21 | | 34-61-13 | TB0158Y | C021 | BJ | R2 | 4 | | |

286T1080-212
Wire Bundle Assembly
Figure 113 (Sheet 6)

25-71-01



BOEING
COMPONENT
MAINTENANCE MANUAL

| WIRE | | FROM EQUIPMENT | | | TO EQUIPMENT | | | WIRE INFO | | | | | |
|--------|----|----------------|---------|------|--------------|----------|---------|-----------|----|---------|----|-------|---------------------------------------|
| NUMBER | GA | TYP | NUMBER | TERM | TT | WDM REF | NUMBER | TERM | TT | EMC/SEP | FT | NOTES | EFFECTIVITY |
| 506 | 24 | PK | D02162 | 29 | | 34-61-13 | TB0158Y | A022 | BJ | R2 | 4 | | |
| 507 | 24 | PK | TB0158Y | A001 | BJ | 34-61-23 | D04809J | 1 | | R2 | 3 | | |
| 508 | 24 | PK | TB0158Y | C022 | BJ | 34-61-23 | D04809J | 2 | | R2 | 3 | | |
| 509 | 24 | PK | TB0158Y | A021 | BJ | 34-61-23 | D04809J | 3 | | R2 | 3 | | |
| 510 | 24 | PK | TB0158Y | C021 | BJ | 34-61-23 | D04809J | 4 | | R2 | 3 | | |
| 511 | 24 | PK | TB0158Y | A022 | BJ | 34-61-23 | D04809J | 5 | | R2 | 3 | | |
| 512 | 24 | PV | TB0182Y | A005 | BJ | 34-61-23 | D04809J | 6 | | R2 | 3 | | |
| 512Z | | | D04809J | DED | | 34-61-23 | TB0182Y | DED | | L2 | 3 | | |
| 513 | 24 | PV | TB0182Y | A004 | BJ | 34-61-23 | D04809J | 7 | | R2 | 3 | | |
| 513Z | | | D04809J | DED | | 34-61-23 | TB0182Y | DED | | L2 | 3 | | |
| 514 | 24 | PV | TB0182Y | A009 | BJ | 34-61-23 | D04809J | 8 | | R2 | 3 | | |
| 514Z | | | D04809J | DED | | 34-61-23 | TB0182Y | DED | | L2 | 3 | | |
| 515 | 24 | PV | TB0182Y | C009 | BJ | 34-61-23 | D04809J | 9 | | R2 | 3 | | |
| 515Z | | | D04809J | DED | | 34-61-23 | TB0182Y | DED | | L2 | 3 | | |
| 516 | 24 | PV | TB0182Y | A010 | BJ | 34-61-23 | D04809J | 10 | | R2 | 3 | | |
| 516Z | | | D04809J | DED | | 34-61-23 | TB0182Y | DED | | L2 | 3 | | |
| 518 | 22 | PA | D02676 | 43 | | 27-58-21 | GDX0002 | D.. | 2 | R2 | 4 | | |
| 521 | 22 | PA | D02676 | 29 | | 27-61-11 | TB0158D | C013 | 2 | R2 | 4 | | |
| 521 | 22 | PA | D02676 | 29 | | 27-61-11 | D04887J | 27 | | R2 | 3 | | VN118-VN119 |
| 523 | 22 | PA | D02676 | 26 | | 22-24-21 | D04887J | 1 | | R2 | 3 | | VN120-VN150, VN821-VN820, VS246-VS248 |
| 525 | 24 | PK | D01868 | 3 | | 21-51-21 | TB0158Y | A006 | BJ | R2 | 4 | | |
| 526 | 24 | PK | D01868 | 16 | | 21-51-21 | TB0158Y | C010 | BJ | R2 | 4 | | |
| 527 | 24 | PK | D01868 | 37 | | 21-51-21 | TB0158Y | A010 | BJ | R2 | 4 | | |
| 528 | 24 | PK | D01868 | 38 | | 21-51-21 | D08032J | 4 | | R2 | 4 | | |
| 530 | 24 | PK | D02162 | 33 | | 73-21-15 | TB0158G | 26 | 2 | R2 | 4 | | |
| 533 | 24 | PK | TB0182X | D012 | BJ | 73-21-17 | D08032J | 31 | | R2 | 3 | | |
| 534 | 24 | PK | D02162 | 54 | | 73-21-16 | D08032J | 30 | | R2 | 3 | | |
| 538 | 24 | PK | D01868 | 30 | | 21-53-22 | TB0182X | C011 | BJ | R2 | 4 | | |
| 540 | 24 | PK | D08032J | 37 | | 21-58-11 | TB0182Y | C002 | BJ | R2 | 2 | | |
| 542 | 24 | PV | D05552J | 41 | | 73-21-11 | TB0182Y | C006 | BJ | R2 | 3 | | |
| 542Z | | | TB0182Y | C004 | BJ | 73-21-11 | D05552J | 59 | | R2 | 2 | | |
| 543 | 24 | PK | D01872 | 11 | | 21-58-12 | TB0182X | D028 | BJ | R2 | 3 | | |

286T1080-212
Wire Bundle Assembly
Figure 113 (Sheet 7)

25-71-01

| WIRE | | | FROM EQUIPMENT | | | | TO EQUIPMENT | | | | WIRE INFO | | | |
|--------|----|-----|----------------|------|----|----------|--------------|------|----|---------|-----------|-------|-------------|--|
| NUMBER | GA | TYP | NUMBER | TERM | TT | WDM REF | NUMBER | TERM | TT | EMC/SEP | FT | NOTES | EFFECTIVITY | |
| 544JA | 24 | PV | TB0248Y | C003 | BJ | 73-21-17 | TB0248Z | 5 | BJ | R2 | 2 | | | |
| 544Z | | | TB0248Y | A004 | BJ | 73-21-17 | TB0248Z | 6 | BJ | R2 | | | | |
| 552 | 24 | PV | D08032J | 55 | | 73-21-17 | TB0248Z | 5 | BJ | R2 | 3 | | | |
| 552Z | | | D08032J | 56 | | 73-21-17 | TB0248Z | 6 | BJ | R2 | | | | |
| 558 | 24 | PK | TB0158Y | A010 | BJ | 21-51-21 | D05552J | 15 | | R2 | 3 | | | |
| 559 | 22 | PA | D04887J | 27 | | 27-61-11 | TB0158D | A013 | 2 | R2 | 3 | | VN118-VN119 | |
| 560 | 22 | PA | TB0158D | C013 | 2 | 27-61-11 | TB0158D | C014 | 2 | R2 | 2 | | VN118-VN119 | |
| 600 | 22 | PA | D02676 | 44 | | 27-41-21 | D04887J | 26 | | R2 | 3 | | | |
| 601 | 24 | PK | D04809J | 23 | | 31-51-42 | TB0182D | C026 | 2 | R2 | 3 | | | |
| 603 | 24 | PK | D02162 | 12 | | 73-21-11 | D08032J | 1 | | R2 | 3 | | | |
| 604 | 22 | PQ | D02162 | 9 | | 73-21-11 | D05766J | 29 | | R2 | 3 | | | |
| 604F | 20 | UA | D02162 | | | 73-21-11 | GDX0004 | S.. | 2 | R2 | 4 | | | |
| 604Z | | | D02162 | | | 73-21-11 | D05766J | 28 | | R2 | 4 | | | |
| 605 | 22 | PA | D02162 | 16 | | 73-21-11 | GDX0005 | D.. | 2 | R2 | 4 | | | |
| 606 | 22 | PA | D02162 | 38 | | 73-21-11 | D08032J | 13 | | R2 | 3 | | | |
| 607 | 22 | PA | D02162 | 5 | | 73-21-11 | D08032J | 12 | | R2 | 3 | | | |
| 608 | 24 | PK | D02162 | 49 | | SPARE | TB0182X | A015 | BJ | R2 | 4 | | | |
| 609Z | 24 | PV | D08032J | 11 | | 73-21-17 | TB0248Z | 5 | BJ | R2 | 2 | | | |
| 610 | 24 | PK | D02162 | 28 | | 73-21-17 | TB0248Z | 6 | BJ | R2 | 2 | | | |
| 611 | 24 | PK | D02162 | 18 | | 73-21-11 | TB0182X | B015 | BJ | R2 | 4 | | | |
| 612 | 24 | PK | D02162 | 10 | | 73-21-11 | TB0182X | C015 | BJ | R2 | 4 | | | |
| 613 | 24 | PV | D02162 | 15 | | 73-21-11 | TB0182X | D015 | BJ | R2 | 4 | | | |
| 613F | 20 | UA | D02162 | 52 | | 73-21-11 | D08032J | 14 | | R2 | 3 | | | |
| 613Z | | | D02162 | | | 73-21-11 | GDX0005 | S.. | 2 | R2 | 4 | | | |
| 685 | 24 | PV | D05766J | 25 | | 73-21-11 | D08032J | 15 | | R2 | 3 | | | |
| 685Z | | | D05766J | 26 | | 73-21-11 | TB0182Y | C006 | BJ | R2 | 3 | | | |
| 700 | 24 | PK | D02676 | 14 | | 31-31-21 | D04809J | 17 | | R2 | 3 | | | |
| 701 | 22 | PA | TB0182Y | C001 | BJ | 21-51-21 | D08032J | 54 | | R2 | 3 | | | |
| 703 | 24 | PK | D02676 | 16 | | 31-31-21 | D04809J | 18 | | R2 | 3 | | | |
| 706 | 24 | PK | D08032J | 51 | | 30-31-21 | TB0248Y | A014 | BJ | R2 | 3 | | | |
| 707 | 24 | PK | TB0248X | D002 | BJ | 30-34-21 | D08032J | 52 | | R2 | 3 | | | |

286T1080-212
Wire Bundle Assembly
Figure 113 (Sheet 8)

25-71-01



BOEING
COMPONENT
MAINTENANCE MANUAL

| WIRE | | | FROM EQUIPMENT | | | | TO EQUIPMENT | | | | WIRE INFO | | | |
|--------|----|-----|----------------|------|----|----------|--------------|------|----|---------|-----------|-------|--------------------------|--|
| NUMBER | GA | TYP | NUMBER | TERM | TT | WDM REF | NUMBER | TERM | TT | EMC/SEP | FT | NOTES | EFFECTIVITY | |
| 708 | 24 | PK | D01870 | 24 | | 21-51-13 | D05552J | 5 | | R2 | 4 | | | |
| 712 | 24 | PK | D01874 | 2 | | 21-25-11 | TB0248D | A020 | 2 | R2 | 4 | | | |
| 713 | 24 | PK | TB0248D | C020 | 2 | 21-25-11 | TB0248Y | C010 | BJ | R2 | 3 | | | |
| 714 | 22 | PA | D08032J | 53 | | 73-21-19 | D02676 | 28 | | R2 | 3 | | | |
| 715 | 22 | PA | D05766J | 15 | | 24-51-52 | TB0248X | A015 | BJ | R2 | 3 | | | |
| 716 | 22 | PA | D05766J | 16 | | 24-51-52 | TB0248X | B015 | BJ | R2 | 3 | | | |
| 718 | 22 | PA | D05766J | 17 | | 24-51-52 | TB0248X | C015 | BJ | R2 | 3 | | | |
| 719 | 22 | PA | D05766J | 18 | | 24-51-52 | TB0248X | D015 | BJ | R2 | 3 | | | |
| 720 | 24 | PK | TB0158Y | C008 | BJ | 73-21-15 | D02162 | 24 | | R2 | 4 | | | |
| 764 | 24 | PV | D08032J | 48 | | 73-21-11 | TB0248Z | 5 | BJ | R2 | 3 | | | |
| 764Z | | | D08032J | | | 73-21-11 | TB0248Z | 6 | BJ | R2 | | | | |
| 766 | 24 | PK | D02676 | 24 | | 21-51-21 | TB0182D | C021 | 2 | R2 | 4 | | VN118-VN124, VN130-VN132 | |
| 768 | 24 | PK | D08032J | 40 | | 21-58-11 | TB0158Y | C001 | BJ | R2 | 3 | | | |
| 769 | 24 | PK | D02676 | 52 | | 27-51-11 | D08032J | 36 | | R2 | 3 | | | |
| 775 | 24 | PK | D01872 | 8 | | 21-58-11 | GDX0002 | D.. | 2 | R2 | 4 | | | |
| 776 | 24 | PK | D05644J | 33 | | 21-26-11 | TB0158F | A020 | 2 | R2 | 3 | | | |
| 778 | 24 | PK | D05552J | 53 | | 73-21-15 | TB0248X | C012 | BJ | R2 | 2 | | | |
| 779 | 24 | PK | D05552J | 52 | | 73-21-15 | TB0248X | D012 | BJ | R2 | 2 | | | |
| 780 | 24 | PK | D05552J | 55 | | 73-21-15 | D02162 | 27 | | R2 | 3 | | | |
| 781 | 24 | PK | D08032J | 45 | | 73-21-19 | TB0248D | C021 | 2 | R2 | 3 | | | |

286T1080-212
Wire Bundle Assembly
Figure 113 (Sheet 9)

25-71-01

TESTING & FAULT ISOLATION
01 Page 136K
Nov 01/02

| WIRE | | FROM EQUIPMENT | | | TO EQUIPMENT | | | WIRE INFO | | | | | |
|--------|----|----------------|---------|------|--------------|----------|---------|-----------|----|-------------|----|-------|--|
| NUMBER | GA | TYP | NUMBER | TERM | TT | WDM REF | NUMBER | TERM | TT | EMC/ SEP | FT | NOTES | EFFECTIVITY |
| FRA | | | D08032J | | | 73-21-11 | D08032J | 28 | | R2 | | | VK001-VK011, VK021-VK030 |
| FRA | | | D08032J | 43 | | 73-21-11 | D08032J | | | R2 | | | VK012-VK020, VK131-VK140, VK181-VK190, VL751-VL790, VL891-VL930, VN231-VN240, VN421-VN490, VN546-VN550, VN634-VN650, VN791-VN810, VN921-VN930, VN951-VN960, VN968-VN970, VR461-VR461, VS051-VS052, VS073-VS073, VS131-VS132, VS176-VS177, VS261-VS262, VS266-VS268 |
| FRA | | | D08032J | | 39 | 73-21-11 | D08032J | | | R2 | | | VK161-VK170, VL011-VL040, VL796-VL810, VL871-VL880, VN171-VN190, VN211-VN220, VN241-VN290, VN371-VN420, VN531-VN545, VN551-VN633, VS061-VS061, VS066-VS070 |
| FFC | | | D05552J | | | 73-21-12 | D05552J | 57 | | R2 | | | VK161-VK170, VL011-VL040, VL796-VL810, VL871-VL880, VN171-VN190, VN211-VN220, VN241-VN290, VN371-VN420, VN491-VN545, VN551-VN633, VS061-VS061, VS066-VS070, VS091-VS094 |
| FRF | | | D08032J | | | 73-21-17 | D08032J | 28 | | R2 | | | VK055-VK080, VK161-VK180, VL011-VL040, VL796-VL810, VL931-VL940, VN171-VN190, VN211-VN230, VN241-VN290, VN371-VN420, VN491-VN545, VN551-VN633, VN671-VN675, VN681-VN730, VN931-VN950, VN966-VN967, VN971-VN990, VR421-VR421, VR471-VR471, VS061-VS061, VS066-VS070, VS091-VS094, VS206-VS207 |
| FRG | | | TB0182Y | | REF | 77-12-12 | TB0182Y | A014 | BJ | R2 | | | VK055-VK080, VK161-VK180, VL796-VL810, VL931-VL940, VN171-VN190, VN213-VN220, VN223-VN230, VN242-VN290, VN371-VN420, VN491-VN545, VN551-VN633, VN671-VN675, VN681-VN730, VN931-VN950, VN966-VN967, VN971-VN990, VR421-VR421, VR471-VR471, VS061-VS061, VS066-VS070, VS091-VS094, VS206-VS207 |
| FRK | | | TB0248Y | | | 73-21-17 | TB0248Y | A004 | BJ | R2 | | | VN221-VN222, VN491-VN530, VS091-VS094 |
| FRM | | | D08032J | | 39 | 73-21-11 | D08032J | | | R2 | | | VK055-VK080, VK171-VK180, VL931-VL940, VN221-VN230, VN491-VN530, VN671-VN675, VN681-VN730, VN931-VN950, VN966-VN967, VN971-VN990, VR421-VR421, VR471-VR471, VS061-VS061, VS066-VS070, VS091-VS094, VS206-VS207 |
| PA1 | | | D01874 | | 26 | 99-99-99 | D01874 | 34 | | R2 | | | DAW-B2 |
| PB1 | | | D01868 | | 25 | 99-99-99 | D01868 | 35 | | R2 | | | DAW-B2 |

 286T1080-300
 Wire Bundle Assembly
 Figure 114 (Sheet 1)

25-71-01



BOEING
COMPONENT
MAINTENANCE MANUAL

| WIRE | | FROM EQUIPMENT | | | | TO EQUIPMENT | | | | WIRE INFO | | | |
|--------|----|----------------|--------|------|----|--------------|--------|------|----|-----------|--------|-------|-------------|
| NUMBER | GA | TYP | NUMBER | TERM | TT | WDM REF | NUMBER | TERM | TT | EMC/SEP | FT | NOTES | EFFECTIVITY |
| PC1 | | | D01870 | 22 | | 99-99-99 | D01870 | 38 | | R2 | DAW-B2 | | |
| PD1 | | | D01872 | 24 | | 99-99-99 | D01872 | 36 | | R2 | DAW-B2 | | |
| PE1 | | | D02176 | 26 | | 21-58-15 | D02176 | 34 | | R2 | DAW-B2 | | |
| PF1 | | | D01876 | 23 | | 36-11-52 | D01876 | 37 | | R2 | DAW-B2 | | |
| PF1 | | | D01876 | 9 | | 36-11-52 | D01876 | 51 | | R2 | DAW-B2 | | |
| PF1 | | | D01876 | 41 | | 36-11-52 | D01876 | 63 | | R2 | DAW-B2 | | |
| PG1 | | | D02162 | 7 | | 73-21-11 | D02162 | 40 | | R2 | DAW-B2 | | |
| PG1 | | | D02162 | 11 | | 73-21-15 | D02162 | 20 | | R2 | DAW-B2 | | |
| PH1 | | | D02676 | 47 | | 27-58-21 | D02676 | 66 | | R2 | DAW-B2 | | |

286T1080-300
Wire Bundle Assembly
Figure 114 (Sheet 2)

25-71-01

| WIRES | | FROM EQUIPMENT | | | TO EQUIPMENT | | | WIRE INFO | | | | | |
|--------|----|----------------|---------|------|--------------|----------|---------|-----------|----|---------|----|--------|--|
| NUMBER | GA | TYP | NUMBER | TERM | TT | WDM REF | NUMBER | TERM | TT | EMC/SEP | FT | NOTES | EFFECTIVITY |
| PH1 | | | D02676 | 47 | | 27-58-21 | D02676 | 64 | | R2 | | DAW-B2 | VK007-VK020, VK023-VK030, VK055-VK080, VK131-VK140, VK161-VK190, VL007-VL010, VL751-VL790, VL796-VL810, VL871-VL880, VL891-VL940, VN016-VN050, VN174-VN190, VN212-VN290, VN301-VN340, VN371-VN650, VN671-VN675, VN681-VN730, VN791-VN810, VN921-VN960, VN966-VN990, VR421-VR421, VR461-VR461, VR471-VR471, VS051-VS052, VS061-VS061, VS066-VS070, VS073-VS073, VS091-VS094, VS131-VS132, VS176-VS177, VS196-VS199, VS206-VS207, VS261-VS262, VS266-VS266 |
| 1 | 24 | PK | TB0158Y | C008 | BJ | 21-51-21 | D05552J | 18 | | R2 | 3 | | VK001-VK054, VK181-VK190, VL001-VL006, VN001-VN015, VN221-VN232, VN634-VN650, VN671-VN675, VR461-VR461 |
| 1 | 24 | PK | D01868 | 19 | | 21-51-21 | D05552J | 18 | | R2 | 3 | | VK055-VK080, VK161-VK180, VL011-VL040, VL796-VL805, VL931-VL940, VN171-VN190, VN211-VN220, VN241-VN290, VN371-VN470, VN531-VN633, VN681-VN730, VN931-VN950, VN966-VN967, VN971-VN990, VR421-VR421, VR471-VR471, VS061-VS061, VS066-VS070, VS176-VS177, VS206-VS207 |
| 1 | 24 | PK | D01868 | 19 | | 21-51-21 | D05552J | 18 | | R2 | 3 | | VK131-VK140, VL007-VL010, VL751-VL790, VL911-VL930, VN016-VN050, VN233-VN240, VN301-VN340, VN471-VN530, VN791-VN810, VN921-VN930, VN951-VN960, VS051-VS052, VS091-VS094, VS196-VS199, VS261-VS262 |
| 1 | 24 | PK | TB0158Y | C008 | BJ | 21-51-21 | D05552J | 18 | | R2 | 2 | | VL806-VL810 |
| 1 | 24 | PK | D01868 | 19 | | 21-51-21 | D05552J | 18 | | R2 | 2 | | VL871-VL880, VN968-VN970, VS073-VS073, VS131-VS132, VS266-VS266 |
| 1 | 24 | PK | D05552J | 18 | | 21-51-21 | TB0158Y | C008 | BJ | R2 | 2 | | VK001-VK080, VK131-VK140, VK161-VK190, VL001-VL040, VL751-VL790, VL796-VL805, VL891-VL940, VN001-VN050, VN171-VN190, VN211-VN290, VN301-VN340, VN371-VN650, VN671-VN675, VN681-VN730, VN791-VN810, VN921-VN960, VN966-VN967, VN971-VN990, VR421-VR421, VR461-VR461, VR471-VR471, VS051-VS052, VS061-VS061, VS066-VS070, VS091-VS094, VS176-VS177, VS196-VS199, VS206-VS207, VS261-VS262 |
| 2 | 22 | PA | D01868 | 21 | | 21-51-21 | GDX0002 | D.. | 2 | R2 | 4 | | |

286T1080-300
Wire Bundle Assembly
Figure 114 (Sheet 3)

25-71-01



BOEING
COMPONENT
MAINTENANCE MANUAL

| WIRE | | | FROM EQUIPMENT | | | TO EQUIPMENT | | | WIRE INFO | | | | |
|--------|----|-----|----------------|------|----|--------------|---------|------|-----------|-------------|----|-------|---|
| NUMBER | GA | TYP | NUMBER | TERM | TT | WDM REF | NUMBER | TERM | TT | EMC/ SEP | FT | NOTES | EFFECTIVITY |
| 2 | 22 | PA | D01868 | 21 | | 21-51-21 | GDX0002 | D.. | 2 | R2 | 3 | | VL806-VL810, VL871-VL880, VN968-VN970, VS073-VS073, VS131-VS132, VS266-VS268 |
| 3 | 24 | PK | D01868 | 13 | | 21-51-21 | TB0248Y | C004 | BJ | R2 | 4 | | VK001-VK009, VK021-VK022, VK031-VK045, VL001-VL006, VL011-VL040, VN001-VN015, VN171-VN173, VN211-VN212, VN231-VN232, VN241-VN241 |
| 3 | 24 | PK | D01868 | 13 | | 21-51-21 | TB0248Y | C004 | BJ | R2 | 5 | | VK010-VK011 |
| 3 | 24 | PK | D01868 | 13 | | 21-51-21 | TB0182X | D016 | BJ | R2 | 4 | | VN221-VN222 |
| 4 | 24 | PK | D01868 | 14 | | 21-51-21 | D05552J | 6 | | R2 | 4 | | VK001-VK080, VK131-VK140, VK161-VK190, VL001-VL040, VL751-VL790, VL796-VL805, VL891-VL940, VN001-VN050, VN171-VN190, VN211-VN290, VN301-VN340, VN371-VN650, VN671-VN675, VN681-VN730, VN791-VN810, VN921-VN960, VN966-VN967, VN971-VN990, VR421-VR421, VR461-VR461, VR471-VR471, VS051-VS052, VS061-VS061, VS066-VS070, VS091-VS094, VS176-VS177, VS196-VS199, VS206-VS207, VS261-VS262 |
| 4 | 24 | PK | D01868 | 14 | | 21-51-21 | D05552J | 6 | | R2 | 2 | | VL806-VL810, VL871-VL880, VN968-VN970, VS073-VS073, VS131-VS132, VS266-VS268 |
| 5 | 24 | PK | D01868 | 8 | | 21-51-21 | D05552J | 7 | | R2 | 4 | | VK001-VK080, VK131-VK140, VK161-VK190, VL001-VL040, VL751-VL790, VL796-VL805, VL891-VL940, VN001-VN050, VN171-VN190, VN211-VN290, VN301-VN340, VN371-VN650, VN671-VN675, VN681-VN730, VN791-VN810, VN921-VN960, VN966-VN967, VN971-VN990, VR421-VR421, VR461-VR461, VR471-VR471, VS051-VS052, VS061-VS061, VS066-VS070, VS091-VS094, VS176-VS177, VS196-VS199, VS206-VS207, VS261-VS262 |
| 5 | 24 | PK | D01868 | 8 | | 21-51-21 | D05552J | 7 | | R2 | 2 | | VL806-VL810, VL871-VL880, VN968-VN970, VS073-VS073, VS131-VS132, VS266-VS268 |

286T1080-300
Wire Bundle Assembly
Figure 114 (Sheet 4)

25-71-01

COMPONENT
MAINTENANCE MANUAL

| WIRE | | | FROM EQUIPMENT | | | TO EQUIPMENT | | | WIRE INFO | | | | |
|--------|----|-----|----------------|------|----|--------------|---------|------|-----------|-------------|----|-------|---|
| NUMBER | GA | TYP | NUMBER | TERM | TT | WDM REF | NUMBER | TERM | TT | EMC/ SEP | FT | NOTES | EFFECTIVITY |
| 6 | 24 | PK | D01868 | 7 | | 21-51-21 | D05552J | 8 | | R2 | 4 | | VK001-VK080, VK131-VK140, VK161-VK190, VL001-VL040, VL751-VL790, VL796-VL805, VL891-VL940, VN001-VN050, VN171-VN190, VN211-VN290, VN301-VN340, VN371-VN650, VN671-VN675, VN681-VN730, VN791-VN810, VN921-VN960, VN966-VN967, VN971-VN990, VR421, VR461-VR461, VR471-VR471, VS051-VS052, VS061-VS061, VS066-VS070, VS091-VS094, VS176-VS177, VS196-VS199, VS206-VS207, VS261-VS262 |
| 6 | 24 | PK | D01868 | 7 | | 21-51-21 | D05552J | 8 | | R2 | 2 | | VL806-VL810, VL871-VL880, VN968-VN970, VS073-VS073, VS131-VS132, VS266-VS268 |
| 7 | 24 | PK | D01868 | 36 | | 21-51-21 | TB0158G | 4 | 2 | R2 | 4 | | VK001-VK009, VK021-VK022, VK031-VK045, VL001-VL006, VL011-VL011, VN001-VN015, VN171-VN173, VN211-VN212, VN221-VN222, VN231-VN232, VN241-VN241 |
| 7 | 24 | PK | D01868 | 36 | | 21-51-21 | TB0158Y | C004 | BJ | R2 | 4 | | VK010-VK020, VK023-VK030, VK046-VK080, VK131-VK140, VK161-VK190, VL007-VL010, VL012-VL040, VL751-VL790, VL796-VL805, VL891-VL940, VN016-VN050, VN174-VN190, VN213-VN220, VN223-VN230, VN233-VN240, VN242-VN290, VN301-VN340, VN371-VN650, VN671-VN675, VN681-VN730, VN791-VN810, VN921-VN960, VN966-VN967, VN971-VN990, VR421-VR421, VR461-VR461, VR471-VR471, VS051-VS052, VS061-VS061, VS066-VS070, VS091-VS094, VS176-VS177, VS196-VS199, VS206-VS207, VS261-VS262 |
| 7 | 24 | PK | D01868 | 36 | | 21-51-21 | TB0158Y | C004 | BJ | R2 | 3 | | VL806-VL810, VL871-VL880, VN968-VN970, VS073-VS073, VS131-VS132, VS266-VS268 |
| 8 | 24 | PK | D01868 | 15 | | 21-51-11 | TB0158G | 3 | 2 | R2 | 4 | | VK001-VK009, VK021-VK022, VK031-VK045, VL001-VL006, VL011-VL011, VN001-VN015, VN171-VN173, VN211-VN212, VN221-VN222, VN231-VN232, VN241-VN241 |

286T1080-300
Wire Bundle Assembly
Figure 114 (Sheet 5)

25-71-01



BOEING
COMPONENT
MAINTENANCE MANUAL

| WIRE | | FROM EQUIPMENT | | | TO EQUIPMENT | | | WIRE INFO | | | |
|--------|----|----------------|---------|---------|--------------|---------|---------|-----------|----|----------------------------|--|
| NUMBER | GA | TYP | NUMBER | TERM TT | WDM REF | NUMBER | TERM TT | EMC/SEP | FT | NOTES | EFFECTIVITY |
| 8 | 24 | PK | D01868 | 15 | 21-51-11 | TB0158Y | A004 | BJ | 4 | | VK010-VK020, VK023-VK030, VK046-VK080, VK131-VK140, VK161-VK190, VL007-VL010, VL012-VL040, VL751-VL790, VL796-VL805, VL891-VL940, VN016-VN050, VN174-VN190, VN213-VN220, VN223-VN230, VN233-VN240, VN242-VN290, VN301-VN340, VN371-VN650, VN671-VN681-VN730, VN791-VN810, VN921-VN960, VN966-VN967, VN971-VN990, VR421-VR461, VR461-VR461, VR471-VR471, VS051-VS052, VS061-VS061, VS066-VS070, VS091-VS094, VS176-VS177, VS196-VS199, VS206-VS207, VS261-VS262 |
| 8 | 24 | PK | D01868 | 15 | 21-51-11 | TB0158Y | A004 | BJ | 3 | | VL806-VL810, VL871-VL880, VN968-VN970, VS073-VS073, VS131-VS132, VS266-VS268 |
| 9 | 24 | PK | D01868 | 17 | 21-51-21 | D08032J | 38 | | 4 | | VK001-VK080, VK131-VK140, VK161-VK190, VL001-VL040, VL751-VL790, VL796-VL805, VL891-VL940, VN001-VN050, VN171-VN190, VN211-VN290, VN301-VN340, VN371-VN650, VN671-VN675, VN681-VN730, VN791-VN810, VN921-VN960, VN966-VN967, VN971-VN990, VR421-VR421, VR461-VR461, VR471-VR471, VS051-VS052, VS061-VS061, VS066-VS066, VS070, VS091-VS094, VS176-VS177, VS196-VS199, VS206-VS207, VS261-VS262 |
| 9 | 24 | PK | D01868 | 17 | 21-51-21 | D08032J | 38 | | 2 | | VL806-VL810, VL871-VL880, VN968-VN970, VS073-VS073, VS131-VS132, VS266-VS268 |
| 01A | 24 | PK | TB0158F | A017 | 21-26-11 | D05644J | 27 | | 4 | MNU-F2 | VK001-VK011, VK021-VK022, VL001-VL006, VN001-VN015, VN171-VN173, VN301-VN303 |
| 01A | 24 | PK | TB0158F | A017 | 21-26-11 | D05644J | 27 | | 4 | MLA-T2 | VK012-VK020, VK047-VK054, VK134-VK140, VK161-VK170, VK181-VK190, VL751-VL790, VL796-VL805, VL911-VL940, VN213-VN220, VN223-VN230, VN235-VN240, VN242-VN250, VN257-VN290, VN304-VN340, VN371-VN530, VN631-VN650, VN671-VN675, VN681-VN730, VN791-VN810, VN921-VN960, VN966-VN967, VN971-VN990, VR461-VR461, VS051-VS052, VS066-VS070, VS091-VS094, VS176-VS177, VS196-VS199, VS206-VS207, VS261-VS262 |
| 01A | 24 | PK | TB0158F | A017 | 21-26-11 | D05644J | 27 | | 4 | MNU-F2 MLA-T2 ZSZ-B6 | VK031-VK046, VN251-VN256 |

286T1080-300
Wire Bundle Assembly
Figure 114 (Sheet 6)

25-71-01

| WIRE | | FROM EQUIPMENT | | | TO EQUIPMENT | | | WIRE INFO | | | | | |
|--------|----|----------------|---------|------|--------------|----------|---------|-----------|----|---------|----|-------|---|
| NUMBER | GA | TYP | NUMBER | TERM | TT | WDM REF | NUMBER | TERM | TT | EMC/SEP | FT | NOTES | EFFECTIVITY |
| 01A | 24 | PK | TB0158F | A017 | 2 | 21-26-11 | D05644J | 27 | | R2 | 4 | | VK055-VK080, VK171-VK180, VR421-VR421, VR471-VR471 |
| 01A | 24 | PK | TB0158F | A017 | 2 | 21-26-11 | D05644J | 27 | | R2 | 2 | | VL806-VL810, VL871-VL880, VN968-VN970, VS073-VS073, VS131-VS132, VS266-VS268 |
| 01A | 24 | PK | TB0158F | A017 | 2 | 21-26-11 | D05644J | 27 | | R2 | 3 | | VL891-VL910 |
| 01A | 24 | PK | TB0158F | A017 | 2 | 21-26-11 | D05644J | 27 | | R2 | 3 | | VN016-VN050, VN174-VN190, VN531-VN630, VS061-VS061, VS196-VS199 |
| 10 | 24 | PK | TB0248X | B001 | BJ | 31-51-41 | D04809J | 12 | | R2 | 3 | | VK001-VK054, VK131-VK140, VK161-VK170, VK181-VK190, VL001-VL040, VL751-VL790, VL796-VL805, VL911-VL940, VN001-VN050, VN171-VN190, VN211-VN290, VN301-VN340, VN371-VN650, VN671-VN675, VN681-VN730, VN791-VN810, VN921-VN960, VN966-VN967, VN971-VN990, VR461-VR461 VS051-VS052, VS061-VS061, VS066-VS070, VS091-VS094, VS176-VS177, VS196-VS199, VS206-VS207, VS261-VS262 |
| 10 | 24 | PK | TB0248X | B001 | BJ | 31-51-41 | D04809J | 12 | | R2 | 3 | | VK055-VK080, VK171-VK180, VL891-VL910, VR421-VR421, VR471-VR471 |
| 10 | 24 | PK | TB0248X | B001 | BJ | 31-51-41 | D04809J | 12 | | R2 | 2 | | VL806-VL810, VL871-VL880, VN968-VN970, VS073-VS073, VS131-VS132, VS266-VS268 |
| 11 | 22 | PA | D01876 | 21 | | 36-11-52 | D05766J | 13 | | R2 | 3 | | VK001-VK011, VK021-VK054 |
| 11 | 22 | PA | D01876 | 39 | | 36-11-52 | D05766J | 13 | | R2 | 3 | | VK012-VK020, VK055-VK080, VK131-VK140, VK161-VK190, VL001-VL040, VL751-VL790, VL796-VL805, VL891-VL940, VN001-VN050, VN171-VN190, VN211-VN290, VN301-VN340, VN371-VN650, VN671-VN675, VN681-VN730, VN791-VN810, VN921-VN960, VN966-VN967, VN971-VN990, VR421-VR421 VR461-VR461, VR471-VR471, VS051-VS052, VS061-VS061, VS066-VS070, VS091-VS094, VS176-VS177, VS196-VS199, VS206-VS207, VS261-VS262 |
| 11 | 22 | PA | D01876 | 39 | | 36-11-52 | D05766J | 13 | | R2 | 2 | | VL806-VL810, VN968-VN970, VS073-VS073, VS131-VS132, VS266-VS268 |
| 12 | 24 | PK | D01868 | 19 | | 21-51-21 | TB0158Y | C008 | BJ | R2 | 4 | | VK001-VK054, VK181-VK190, VL001-VL006, VN001-VN015, VN221-VN232, VN634-VN650, VN671-VN675, VR461-VR461 |
| 12 | 24 | PK | D01868 | 19 | | 21-51-21 | TB0158Y | C008 | BJ | R2 | 3 | | VL806-VL810 |
| 12 | 24 | PK | D01868 | 19 | | 21-51-21 | TB0158Y | C008 | BJ | R2 | 3 | | VL891-VL910 |

286T1080-300
Wire Bundle Assembly
Figure 114 (Sheet 7)

25-71-01



BOEING
COMPONENT
MAINTENANCE MANUAL

| WIRE | | FROM EQUIPMENT | | | TO EQUIPMENT | | | WIRE INFO | | | | | |
|--------|----|----------------|---------|------|--------------|----------|---------|-----------|----|---------|----|-------|--|
| NUMBER | GA | TYP | NUMBER | TERM | TT | WDM REF | NUMBER | TERM | TT | EMC/SEP | FT | NOTES | EFFECTIVITY |
| 13 | 24 | PK | D05552J | 25 | | 21-51-21 | TB0158Y | A008 | BJ | R2 | 2 | | VK001-VK054, VK131-VK140, VK161-VK170, VK181-VK190, VL001-VL040, VL751-VL790, VL796-VL805, VL911-VL940, VN001-VN050, VN171-VN190, VN211-VN290, VN301-VN340, VN371-VN650, VN671-VN675, VN681-VN730, VN791-VN810, VN921-VN960, VN966-VN967, VN971-VN990, VR461-VR461 VS051-VS052, VS061-VS061, VS066-VS091-VS094, VS176-VS177, VS196-VS199, VS206-VS207, VS261-VS262 |
| 13 | 24 | PK | D05552J | 25 | | 21-51-21 | TB0158Y | A008 | BJ | R2 | 2 | | VK055-VK080, VK171-VK180, VR421-VR421, VR471-VR471 |
| 13 | 24 | PK | D05552J | 25 | | 21-51-21 | TB0158Y | A008 | BJ | R2 | 2 | | VL806-VL810, VL871-VL880, VN968-VN970, VS073-VS073, VS131-VS132, VS266-VS268 |
| 13 | 24 | PK | D05552J | 25 | | 21-51-21 | TB0158Y | A008 | BJ | R2 | 2 | | VL891-VL910 |
| 14 | 24 | PK | D01868 | 4 | | 21-51-21 | TB0158Y | A008 | BJ | R2 | 4 | | VK001-VK080, VK131-VK140, VK161-VK190, VL001-VL040, VL751-VL790, VL796-VL805, VL891-VL940, VN001-VN050, VN171-VN190, VN211-VN290, VN301-VN340, VN371-VN650, VN671-VN675, VN681-VN730, VN791-VN810, VN921-VN960, VN966-VN967, VN971-VN990, VR421-VR421, VR461-VR461 VR471-VR471, VS051-VS052, VS061-VS061, VS066-VS070, VS091-VS094, VS176-VS177, VS196-VS199, VS206-VS207, VS261-VS262 |
| 14 | 24 | PK | D01868 | 4 | | 21-51-21 | TB0158Y | A008 | BJ | R2 | 3 | | VL806-VL810, VL871-VL880, VN968-VN970, VS073-VS073, VS131-VS132, VS266-VS268 |
| 15 | 24 | PK | D01868 | 5 | | 21-51-21 | TB0158Y | C007 | BJ | R2 | 4 | | VK001-VK080, VK131-VK140, VK161-VK190, VL001-VL040, VL751-VL790, VL796-VL805, VL891-VL940, VN001-VN050, VN171-VN190, VN211-VN290, VN301-VN340, VN371-VN650, VN671-VN675, VN681-VN730, VN791-VN810, VN921-VN960, VN966-VN967, VN971-VN990, VR421-VR421, VR461-VR461 VR471-VR471, VS051-VS052, VS061-VS061, VS066-VS070, VS091-VS094, VS176-VS177, VS196-VS199, VS206-VS207, VS261-VS262 |
| 15 | 24 | PK | D01868 | 5 | | 21-51-21 | TB0158Y | C007 | BJ | R2 | 3 | | VL806-VL810, VL871-VL880, VN968-VN970, VS073-VS073, VS131-VS132, VS266-VS268 |

286T1080-300
Wire Bundle Assembly
Figure 114 (Sheet 8)

25-71-01

| WIRE | | | FROM EQUIPMENT | | | TO EQUIPMENT | | | WIRE INFO | | | | |
|--------|----|-----|----------------|------|----|--------------|---------|------|-----------|-------------|----|-------|--|
| NUMBER | GA | TYP | NUMBER | TERM | TT | WDM REF | NUMBER | TERM | TT | EMC/ SEP | FT | NOTES | EFFECTIVITY |
| 16 | 24 | PK | D01868 | 22 | | 21-51-21 | D05552J | 21 | | R2 | 4 | | VK001-VK080, VK131-VK140, VK161-VK190, VL001-VL040, VL751-VL790, VL796-VL805, VL891-VL940, VN001-VN050, VN171-VN190, VN211-VN290, VN301-VN340, VN371-VN650, VN671-VN675, VN681-VN730, VN791-VN810, VN921-VN960, VN966-VN967, VN971-VN990, VR421-VR461, VR461-VR471-VR471, VS051-VS052, VS061-VS061, VS066-VS070, VS091-VS094, VS176-VS177, VS196-VS199, VS206-VS207, VS261-VS262 |
| 16 | 24 | PK | D01868 | 22 | | 21-51-21 | D05552J | 21 | | R2 | 2 | | VL806-VL810, VL871-VL880, VN968-VN970, VS073-VS073, VS131-VS132, VS266-VS268 |
| 17 | 24 | PK | D01868 | 1 | | 21-51-21 | D05552J | 22 | | R2 | 4 | | VK001-VK080, VK131-VK140, VK161-VK190, VL001-VL040, VL751-VL790, VL796-VL805, VL891-VL940, VN001-VN050, VN171-VN190, VN211-VN290, VN301-VN340, VN371-VN650, VN671-VN675, VN681-VN730, VN791-VN810, VN921-VN960, VN966-VN967, VN971-VN990, VR421-VR461, VR461-VR471-VR471, VS051-VS052, VS061-VS061, VS066-VS070, VS091-VS094, VS176-VS177, VS196-VS199, VS206-VS207, VS261-VS262 |
| 17 | 24 | PK | D01868 | 1 | | 21-51-21 | D05552J | 22 | | R2 | 2 | | VL806-VL810, VL871-VL880, VN968-VN970, VS073-VS073, VS131-VS132, VS266-VS268 |
| 18 | 24 | PK | D01868 | 27 | | 21-51-21 | TB0182D | A021 | 2 | R2 | 4 | | VK001-VK011, VK021-VK054, VL001-VL040, VN001-VN015, VN171-VN190, VN211-VN222, VS061-VS061 |
| 18 | 24 | PK | D01868 | 27 | | 21-51-21 | D02676 | 24 | | R2 | 3 | | VK012-VK020, VK131-VK140, VK161-VK170, VK181-VK190, VL751-VL790, VL796-VL805, VL891-VL940, VN016-VN050, VN231-VN290, VN301-VN340, VN371-VN490, VN531-VN650, VN681-VN730, VN791-VN810, VN921-VN960, VR461-VR461, VS051-VS052, VS066-VS070, VS176-VS177, VS196-VS199, VS206-VS207, VS261-VS262 |
| 18 | 24 | PK | D01868 | 27 | | 21-51-21 | D02676 | 24 | | R2 | 4 | | VR055-VK080, VK171-VK180, VN223-VN230, VN491-VN530, VN966-VN967, VN971-VN990, VR421-VR421, VR471-VR471, VS091-VS094 |
| 18 | 24 | PK | D01868 | 27 | | 21-51-21 | D02676 | 24 | | R2 | 1 | | VL806-VL810, VL871-VL880, VN968-VN970, VS073-VS073, VS131-VS132, VS266-VS268 |
| 18 | 24 | PK | D01868 | 27 | | 21-51-21 | D02676 | 24 | | R2 | 2 | | VN671-VN675 |

286T1080-300
Wire Bundle Assembly
Figure 114 (Sheet 9)

25-71-01



BOEING
COMPONENT
MAINTENANCE MANUAL

| WIRE | | FROM EQUIPMENT | | | TO EQUIPMENT | | | WIRE INFO | | | | | |
|--------|----|----------------|--------|------|--------------|----------|---------|-----------|----|---------|----|-------|---|
| NUMBER | GA | TYP | NUMBER | TERM | TT | WDM REF | NUMBER | TERM | TT | EMC/SEP | FT | NOTES | EFFECTIVITY |
| 19 | 24 | PK | D01868 | 6 | | 21-51-21 | D02676 | 27 | | R2 | 3 | | VK001-VK080, VK131-VK140, VK161-VK190, VL001-VL040, VL751-VL790, VL796-VL805, VL891-VL940, VN001-VN023, VN171-VN190, VN211-VN290, VN301-VN340, VN371-VN650, VN671-VN675, VN681-VN730, VN791-VN810, VN921-VN960, VN966-VN967, VN971-VN990, VR421-VR461, VR461, VR471-VR471, VS051-VS052, VS061-VS061, VS066-VS070, VS091-VS094, VS176-VS177, VS206-VS207, VS261-VS262 |
| 19 | 24 | PK | D01868 | 6 | | 21-51-21 | D02676 | 27 | | R2 | 1 | | VL806-VL810, VL871-VL880, VN968-VN970, VS073-VS073, VS131-VS132, VS266-VS268 |
| 19 | 24 | PK | D01868 | 6 | | 21-51-21 | D02676 | 27 | | R2 | 3 | | VN024-VN050, VS196-VS199 |
| 20 | 22 | PA | D01868 | 28 | | 21-51-21 | TB0182Y | C001 | BJ | R2 | 4 | | VK001-VK080, VK131-VK140, VK161-VK190, VL001-VL040, VL751-VL790, VL796-VL805, VL891-VL940, VN001-VN050, VN171-VN190, VN211-VN290, VN301-VN340, VN371-VN650, VN671-VN675, VN681-VN730, VN791-VN810, VN921-VN960, VN966-VN967, VN971-VN990, VR421-VR461, VR461, VR471-VR471, VS051-VS052, VS061-VS061, VS066-VS070, VS091-VS094, VS176-VS177, VS196-VS199, VS206-VS207, VS261-VS262 |
| 20 | 22 | PA | D01868 | 28 | | 21-51-21 | TB0182Y | C001 | BJ | R2 | 3 | | VL806-VL810, VL871-VL880, VN968-VN970, VS073-VS073, VS131-VS132, VS266-VS268 |
| 21 | 24 | PK | D01868 | 31 | | 21-25-21 | D05552J | 27 | | R2 | 4 | | VK001-VK080, VK131-VK140, VK161-VK190, VL001-VL040, VL751-VL790, VL796-VL805, VL891-VL940, VN001-VN050, VN171-VN190, VN211-VN290, VN301-VN340, VN371-VN650, VN671-VN675, VN681-VN730, VN791-VN810, VN921-VN960, VN966-VN967, VN971-VN990, VR421-VR461, VR461, VR471-VR471, VS051-VS052, VS061-VS061, VS066-VS070, VS091-VS094, VS176-VS177, VS196-VS199, VS206-VS207, VS261-VS262 |
| 21 | 24 | PK | D01868 | 31 | | 21-25-21 | D05552J | 27 | | R2 | 2 | | VL806-VL810, VL871-VL880, VN968-VN970, VS073-VS073, VS131-VS132, VS266-VS268 |

286T1080-300
Wire Bundle Assembly
Figure 114 (Sheet 10)

25-71-01

| WIRE | | FROM EQUIPMENT | | | TO EQUIPMENT | | | WIRE INFO | | | | | |
|--------|----|----------------|---------|------|--------------|----------|---------|-----------|----|---------|----|-------|---|
| NUMBER | GA | TYP | NUMBER | TERM | TT | WDM REF | NUMBER | TERM | TT | EMC/SEP | FT | NOTES | EFFECTIVITY |
| 22 | 24 | PK | D01868 | | 9 | 21-53-21 | D08032J | 46 | | R2 | 4 | | VK001-VK080, VK131-VK140, VK161-VK190, VL001-VL040, VL751-VL790, VL796-VL805, VL891-VL940, VN001-VN050, VN171-VN190, VN211-VN290, VN301-VN340, VN371-VN650, VN671-VN675, VN681-VN730, VN791-VN810, VN921-VN960, VN966-VN967, VN971-VN990, VR421-VR421, VR461-VR461, VR471-VR471, VS051-VS052, VS061-VS061, VS066-VS070, VS091-VS094, VS176-VS177, VS196-VS199, VS206-VS207, VS261-VS262 |
| 22 | 24 | PK | D01868 | | 9 | 21-53-21 | D08032J | 46 | | R2 | 2 | | VL806-VL810, VL871-VL880, VN968-VN970, VS073-VS073, VS131-VS132, VS266-VS268 |
| 23 | 24 | PK | D01868 | | 26 | 21-53-22 | TB0158F | C012 | 2 | R2 | 4 | | VK001-VK080, VK131-VK140, VK161-VK190, VL001-VL040, VL751-VL790, VL796-VL805, VL891-VL940, VN001-VN050, VN171-VN190, VN211-VN290, VN301-VN340, VN371-VN650, VN671-VN675, VN681-VN730, VN791-VN810, VN921-VN960, VN966-VN967, VN971-VN990, VR421-VR421, VR461-VR461, VR471-VR471, VS051-VS052, VS061-VS061, VS066-VS070, VS091-VS094, VS176-VS177, VS196-VS199, VS206-VS207, VS261-VS262 |
| 23 | 24 | PK | D01868 | | 26 | 21-53-22 | TB0158F | C012 | 2 | R2 | 3 | | VL806-VL810, VL871-VL880, VN968-VN970, VS073-VS073, VS131-VS132, VS266-VS268 |
| 24 | 24 | PK | D05552J | | 31 | 21-51-21 | TB0158Y | C007 | BJ | R2 | 2 | | VK001-VK054, VK131-VK140, VK161-VK170, VK181-VK190, VL001-VL040, VL751-VL790, VL796-VL805, VL911-VL940, VN001-VN050, VN171-VN190, VN211-VN290, VN301-VN340, VN371-VN650, VN671-VN675, VN681-VN730, VN791-VN810, VN921-VN960, VN966-VN967, VN971-VN990, VR461-VR461, VS051-VS052, VS061-VS061, VS066-VS094, VS176-VS177, VS196-VS199, VS206-VS207, VS261-VS262 |
| 24 | 24 | PK | D05552J | | 31 | 21-51-21 | TB0158Y | C007 | BJ | R2 | 2 | | VK055-VK080, VK171-VK180, VR421-VR421, VR471-VR471 |
| 24 | 24 | PK | D05552J | | 31 | 21-51-21 | TB0158Y | C007 | BJ | R2 | 2 | | VL806-VL810, VL871-VL880, VN968-VN970, VS073-VS073, VS131-VS132, VS266-VS268 |
| 24 | 24 | PK | D05552J | | 31 | 21-51-21 | TB0158Y | C007 | BJ | R2 | 2 | | VL891-VL910 |

 286T1080-300
 Wire Bundle Assembly
 Figure 114 (Sheet 11)



BOEING
COMPONENT
MAINTENANCE MANUAL

| WIRE | | FROM EQUIPMENT | | | TO EQUIPMENT | | | WIRE INFO | | | | | |
|--------|----|----------------|---------|------|--------------|----------|---------|-----------|----|---------|----|-------|---|
| NUMBER | GA | TYP | NUMBER | TERM | TT | WDM REF | NUMBER | TERM | TT | EMC/SEP | FT | NOTES | EFFECTIVITY |
| 25 | 24 | PK | D01868 | 2 | | 21-51-21 | D05552J | 4 | | R2 | 4 | | VK001-VK080, VK131-VK140, VK161-VK190, VL001-VL040, VL751-VL790, VL796-VL805, VL891-VL940, VN001-VN050, VN171-VN190, VN211-VN290, VN301-VN340, VN371-VN650, VN671-VN675, VN681-VN730, VN791-VN810, VN921-VN960, VN966-VN967, VN971-VN990, VR421-VR421, VR461-VR461, VR471-VR471, VS051-VS052, VS061-VS061, VS066-VS070, VS091-VS094, VS176-VS177, VS196-VS199, VS206-VS207, VS261-VS262 |
| 25 | 24 | PK | D01868 | 2 | | 21-51-21 | D05552J | 4 | | R2 | 2 | | VL806-VL810, VL871-VL880, VN968-VN970, VS073-VS073, VS131-VS132, VS266-VS268 |
| 26 | 24 | PK | D01868 | 32 | | 73-21-15 | D05552J | 54 | | R2 | 3 | | VK001-VK080, VK131-VK140, VK161-VK190, VL001-VL040, VL751-VL790, VL796-VL805, VL891-VL940, VN001-VN050, VN171-VN190, VN211-VN290, VN301-VN340, VN371-VN650, VN671-VN675, VN681-VN730, VN791-VN810, VN921-VN960, VN966-VN967, VN971-VN990, VR421-VR421, VR461-VR461, VR471-VR471, VS051-VS052, VS061-VS061, VS066-VS070, VS091-VS094, VS176-VS177, VS196-VS199, VS206-VS207, VS261-VS262 |
| 26 | 24 | PK | D01868 | 32 | | 73-21-15 | D05552J | 54 | | R2 | 2 | | VL806-VL810, VL871-VL880, VN968-VN970, VS073-VS073, VS131-VS132, VS266-VS268 |
| 27 | 24 | PK | D01868 | 18 | | 73-21-15 | D02162 | 28 | | R2 | 3 | | VK001-VK011, VK021-VK030 |
| 27 | 24 | PK | TE0158F | A015 | 2 | 73-21-15 | D01868 | 18 | | R2 | 3 | | VK012-VK020, VK031-VK054, VK131-VK140, VK181-VK190, VL001-VL010, VL751-VL790, VL891-VL930, VN001-VN050, VN231-VN240, VN301-VN340, VN471-VN490, VN546-VN550, VN791-VN810, VN921-VN930, VN951-VN960, VR461-VR461, VS051-VS052, VS073-VS073, VS196-VS199, VS261-VS262, VS266-VS268 |
| 27 | 24 | PK | D02162 | 25 | | 73-21-15 | D01868 | 18 | | R2 | 3 | | VK055-VK080, VK161-VK180, VL011-VL040, VL796-VL805, VN171-VN190, VN211-VN220, VN241-VN290, VN371-VN420, VN531-VN545, VN551-VN633, VR421-VR421, VR471-VR471, VS061-VS061, VS066-VS070 |
| 27 | 24 | PK | D02162 | 25 | | 73-21-15 | D01868 | 18 | | R2 | 1 | | VL806-VL810, VL871-VL880 |

286T1080-300
Wire Bundle Assembly
Figure 114 (Sheet 12)

25-71-01

TESTING & FAULT ISOLATION
01 Page 136W
Nov 01/02

| WIRE | | FROM EQUIPMENT | | | TO EQUIPMENT | | | WIRE INFO | | | | | |
|--------|----|----------------|---------|------|--------------|----------|---------|-----------|----|---------|----|------------------|--|
| NUMBER | GA | TYP | NUMBER | TERM | TT | WDM REF | NUMBER | TERM | TT | EMC/SEP | FT | NOTES | EFFECTIVITY |
| 27 | 24 | PK | D01868 | 18 | | 73-21-15 | D02162 | 25 | | R2 | 3 | | VL931-VL940, VN221-VN230, VN491-VN530, VN671-VN675, VN681-VN730, VN931-VN950, VN966-VN967, VN971-VN990, VS091-VS094, VS206-VS207 |
| 27 | 24 | PK | TB0158F | A015 | 2 | 73-21-15 | D01868 | 18 | | R2 | 4 | | VN421-VN470, VN634-VN650, VS176-VS177 |
| 27 | 24 | PK | D01868 | 18 | | 73-21-15 | TB0158F | A015 | 2 | R2 | 3 | | VN968-VN970, VS131-VS132 |
| 28 | 22 | PA | D01868 | 10 | | 21-51-21 | TB0158G | 16 | 2 | R2 | 4 | | VK001-VK080, VK131-VK140, VK161-VK190, VL001-VL040, VL751-VL790, VL796-VL805, VL891-VL940, VN001-VN050, VN171-VN190, VN211-VN290, VN301-VN340, VN371-VN650, VN671-VN675, VN681-VN730, VN791-VN810, VN921-VN960, VN966-VN967, VN971-VN990, VR421-VR461, VR461-VR471, VR471-VR471, VS051-VS052, VS061-VS061, VS066-VS070, VS091-VS094, VS176-VS177, VS196-VS199, VS206-VS207, VS261-VS262 |
| 28 | 22 | PA | D01868 | 10 | | 21-51-21 | TB0158G | 16 | 2 | R2 | 3 | | VL806-VL810, VL871-VL880, VN968-VN970, VS073-VS073, VS131-VS132, VS266-VS268 |
| 29 | 24 | PK | D01874 | 29 | | 21-26-11 | D05644J | 26 | | R2 | 4 | MOT-F2 | VK001-VK011, VK021-VK022, VL001-VL006, VN001-VN015, VN171-VN173, VN301-VN303 |
| 29 | 24 | PK | D01874 | 29 | | 21-26-11 | D05644J | 26 | | R2 | 4 | MLA-F2 | VN015, VN171-VN173, VN301-VN303 |
| 29 | 24 | PK | D01874 | 29 | | 21-26-11 | D05644J | 26 | | R2 | 4 | | VK012-VK020, VK047-VK080, VK134-VK140, VK161-VK190, VL751-VL790, VL796-VL805, VL891-VL940, VN213-VN220, VN223-VN230, VN235-VN240, VN242-VN250, VN257-VN290, VN304-VN340, VN371-VN530, VN631-VN650, VN671-VN675, VN681-VN730, VN791-VN810, VN921-VN960, VN966-VN967, VN971-VN990, VR421-VR461, VR461-VR461, VR471-VR471, VS051-VS052, VS066-VS070, VS091-VS094, VS176-VS177, VS206-VS207, VS261-VS262 |
| 29 | 24 | PK | D01874 | 29 | | 21-26-11 | TB0158F | A017 | 2 | R2 | 4 | | VK023-VK030, VK131-VK133, VL007-VL040, VN211-VN212, VN221-VN222, VN231-VN234, VN241-VN241 |
| 29 | 24 | PK | D01874 | 29 | | 21-26-11 | D05644J | 26 | | R2 | 4 | MOT-F2 | VK031-VK046, VN251-VN256 |
| 29 | 24 | PK | D01874 | 29 | | 21-26-11 | D05644J | 26 | | R2 | 2 | MLA-F2 ZSZ-B6 | VL806-VL810, VL871-VL880, VN968-VN970, VS073-VS073, VS131-VS132, VS266-VS268 |
| 29 | 24 | PK | D01874 | 29 | | 21-26-11 | D05644J | 26 | | R2 | 3 | | VN016-VN050, VS196-VS199 |
| 29 | 24 | PK | D01874 | 29 | | 21-26-11 | D05644J | 26 | | R2 | 3 | | VN174-VN190, VN531-VN630, VS061-VS061 |

286T1080-300
Wire Bundle Assembly
Figure 114 (Sheet 13)

25-71-01



BOEING
COMPONENT
MAINTENANCE MANUAL

| WIRE | | | FROM EQUIPMENT | | | | TO EQUIPMENT | | | | WIRE INFO | | | |
|--------|----|-----|----------------|------|----|----------|--------------|------|----|-------------|-----------|-------|---|--|
| NUMBER | GA | TYP | NUMBER | TERM | TT | WDM REF | NUMBER | TERM | TT | EMC/ SEP | FT | NOTES | EFFECTIVITY | |
| 30 | 24 | PK | D01868 | 12 | | 21-51-21 | TB0158G | 14 | 2 | R2 | 4 | | VK001-VK009, VK021-VK022, VK031-VK045, VL001-VL006, VL011-VL011, VN001-VN015, VN171-VN173, VN211-VN212, VN231-VN232, VN241-VN241 | |
| 30 | 24 | PK | D01868 | 12 | | 21-51-21 | TB0158Y | C001 | BJ | R2 | 4 | | VK010-VK020, VK023-VK030, VK046-VK080, VK131-VK140, VL796-VL805, VL911-VL940, VN016-VN050, VN174-VN190, VN213-VN220, VN233-VN240, VN242-VN290, VN301-VN340, VN371-VN633, VN681-VN730, VN791-VN810, VN921-VN960, VN966-VN967, VN971-VN990, VR421-VR421, VR461-VR461, VR471-VR471, VS051-VS052, VS061-VS061, VS066-VS070, VS091-VS094, VS176-VS177, VS196-VS199, VS206-VS207, VS261-VS262 | |
| 30 | 24 | PK | D01868 | 12 | | 21-51-21 | TB0182X | D011 | BJ | R2 | 3 | | VL806-VL810 | |
| 30 | 24 | PK | D01868 | 12 | | 21-51-21 | TB0158Y | C001 | BJ | R2 | 3 | | VL871-VL880, VN968-VN970, VS073-VS073, VS131-VS132, VS266-VS268 | |
| 30 | 24 | PK | D01868 | 12 | | 21-51-21 | TB0182X | D011 | BJ | R2 | 4 | | VL891-VL910, VN221-VN230, VN634-VN650, VN671-VN675 | |
| 32 | 22 | PA | TB0182Y | C001 | BJ | 21-51-21 | D05552J | 24 | | R2 | 3 | | VK001-VK054, VK131-VK140, VK161-VK170, VK181-VK190, VL001-VL040, VL751-VL790, VL796-VL805, VL911-VL940, VN001-VN050, VN171-VN190, VN211-VN290, VN301-VN340, VN371-VN650, VN671-VN675, VN681-VN730, VN791-VN810, VN921-VN960, VN966-VN967, VN971-VN990, VR461-VR461, VS051-VS052, VS061-VS061, VS066-VS070, VS091-VS094, VS176-VS177, VS196-VS199, VS206-VS207, VS261-VS262 | |
| 32 | 22 | PA | TB0182Y | C001 | BJ | 21-51-21 | D05552J | 24 | | R2 | 3 | | VK055-VK080, VK171-VK180, VR421-VR421, VR471-VR471 | |
| 32 | 22 | PA | TB0182Y | C001 | BJ | 21-51-21 | D05552J | 24 | | R2 | 2 | | VL806-VL810, VL871-VL880, VN968-VN970, VS073-VS073, VS131-VS132, VS266-VS268 | |
| 32 | 22 | PA | TB0182Y | C001 | BJ | 21-51-21 | D05552J | 24 | | R2 | 3 | | VI891-VL910 | |
| 33 | 24 | PK | D01876 | 28 | | 36-11-41 | TB0248Y | A003 | BJ | R2 | 4 | | VK001-VK011, VK021-VK054 | |

286T1080-300
Wire Bundle Assembly
Figure 114 (Sheet 14)

25-71-01

TESTING & FAULT ISOLATION
01 Page 136Y
Nov 01/02

| WIRE | | FROM EQUIPMENT | | | TO EQUIPMENT | | | WIRE INFO | | | | | |
|--------|----|----------------|---------|------|--------------|----------|--------------|-----------|----|-------------|----|-------|--|
| NUMBER | GA | TYP | NUMBER | TERM | TT | WDM REF | NUMBER | TERM | TT | EMC/ SEP | FT | NOTES | EFFECTIVITY |
| 33 | 24 | PK | D01876 | 64 | | 36-11-41 | TB0248Y A003 | BJ | | R2 | 4 | | VK012-VK020, VK055-VK080, VK131-VK140, VK161-VK190, VL001-VL040, VL751-VL790, VL796-VL805, VL891-VL940, VN001-VN050, VN171-VN190, VN211-VN290, VN301-VN340, VN371-VN650, VN671-VN675, VN681-VN730, VN791-VN810, VN921-VN960, VN966-VN967, VN971-VN990, VR421-VR421, VR461-VR461, VR471-VR471, VS051-VS052, VS061-VS061, VS066-VS070, VS091-VS094, VS176-VS177, VS196-VS199, VS206-VS207, VS261-VS262 |
| 33 | 24 | PK | D01876 | 64 | | 36-11-41 | TB0248Y A003 | BJ | | R2 | 3 | | VL806-VL810, VN968-VN970, VS073-VS073, VS131-VS132, VS266-VS268 |
| 34 | 22 | PA | TB0158G | 16 | 2 | 21-51-21 | D05552J | 23 | | R2 | 3 | | VK001-VK054, VK131-VK140, VK161-VK170, VK181-VK190, VL001-VL040, VL751-VL790, VL796-VL805, VL911-VL940, VN001-VN050, VN171-VN190, VN211-VN290, VN301-VN340, VN371-VN650, VN671-VN675, VN681-VN730, VN791-VN810, VN921-VN960, VN966-VN967, VN971-VN990, VR461-VR461, VS051-VS052, VS061-VS061, VS066-VS070, VS091-VS094, VS176-VS177, VS196-VS199, VS206-VS207, VS261-VS262 |
| 34 | 22 | PA | TB0158G | 16 | 2 | 21-51-21 | D05552J | 23 | | R2 | 3 | | VK055-VK080, VK171-VK180, VR421-VR421, VR471-VR471 |
| 34 | 22 | PA | TB0158G | 16 | 2 | 21-51-21 | D05552J | 23 | | R2 | 2 | | VL806-VL810, VL871-VL880, VN968-VN970, VS073-VS073, VS131-VS132, VS266-VS268 |
| 34 | 22 | PA | TB0158G | 16 | 2 | 21-51-21 | D05552J | 23 | | R2 | 3 | | VL891-VL910 |
| 35 | 24 | PK | D01874 | 1 | | 21-25-21 | D05552J | 29 | | R2 | 4 | | VK001-VK080, VK131-VK140, VK161-VK190, VL001-VL040, VL751-VL790, VL796-VL805, VL891-VL940, VN001-VN050, VN171-VN190, VN211-VN290, VN301-VN340, VN371-VN650, VN671-VN675, VN681-VN730, VN791-VN810, VN921-VN960, VN966-VN967, VN971-VN990, VR421-VR421, VR461-VR461, VS051-VS052, VS061-VS061, VS066-VS070, VS091-VS094, VS176-VS177, VS196-VS199, VS206-VS207, VS261-VS262 |
| 35 | 24 | PK | D01874 | 1 | | 21-25-21 | D05552J | 29 | | R2 | 2 | | VL806-VL810, VL871-VL880, VN968-VN970, VS073-VS073, VS131-VS132, VS266-VS268 |

 286T1080-300
 Wire Bundle Assembly
 Figure 114 (Sheet 15)

25-71-01



BOEING
COMPONENT
MAINTENANCE MANUAL

| WIRE | | FROM EQUIPMENT | | | TO EQUIPMENT | | | WIRE INFO | | | | | |
|--------|----|----------------|--------|------|--------------|----------|---------|-----------|----|---------|----|-------|---|
| NUMBER | GA | TYP | NUMBER | TERM | TT | WDM REF | NUMBER | TERM | TT | EMC/SEP | FT | NOTES | EFFECTIVITY |
| 36 | 22 | PA | D01874 | 3 | | 21-25-21 | GDX0002 | D.. | 2 | R2 | 4 | | VK001-VK080, VK131-VK140, VK161-VK190, VL001-VL040, VL751-VL790, VL796-VL805, VL891-VL940, VN001-VN050, VN171-VN190, VN211-VN290, VN301-VN340, VN371-VN650, VN671-VN675, VN681-VN730, VN791-VN810, VN921-VN960, VN966-VN967, VN971-VN990, VR421-VR461, VR461-VR471, VR471, VS051-VS052, VS061-VS066, VS070, VS091-VS094, VS176-VS177, VS196-VS199, VS206-VS207, VS261-VS262 |
| 36 | 22 | PA | D01874 | 3 | | 21-25-21 | GDX0002 | D.. | 2 | R2 | 3 | | VL806-VL810, VL871-VL880, VN968-VN970, VS073-VS073, VS131-VS132, VS266-VS268 |
| 37 | 24 | PK | D01874 | 24 | | 21-25-21 | D05552J | 26 | | R2 | 4 | | VK001-VK080, VK131-VK140, VK161-VK190, VL001-VL040, VL751-VL790, VL796-VL805, VL891-VL940, VN001-VN050, VN171-VN190, VN211-VN290, VN301-VN340, VN371-VN650, VN671-VN675, VN681-VN730, VN791-VN810, VN921-VN960, VN966-VN967, VN971-VN990, VR421-VR461, VR461-VR471, VR471, VS051-VS052, VS061-VS066, VS070, VS091-VS094, VS176-VS177, VS196-VS199, VS206-VS207, VS261-VS262 |
| 37 | 24 | PK | D01874 | 24 | | 21-25-21 | D05552J | 26 | | R2 | 2 | | VL806-VL810, VL871-VL880, VN968-VN970, VS073-VS073, VS131-VS132, VS266-VS268 |
| 38 | 22 | PA | D01874 | 4 | | 21-25-21 | GDX0004 | D.. | 2 | R2 | 4 | | VK001-VK080, VK131-VK140, VK161-VK190, VL001-VL040, VL751-VL790, VL796-VL805, VL891-VL940, VN001-VN050, VN171-VN190, VN211-VN290, VN301-VN340, VN371-VN650, VN671-VN675, VN681-VN730, VN791-VN810, VN921-VN960, VN966-VN967, VN971-VN990, VR421-VR461, VR461-VR471, VR471, VS051-VS052, VS061-VS066, VS070, VS091-VS094, VS176-VS177, VS196-VS199, VS206-VS207, VS261-VS262 |
| 38 | 22 | PA | D01874 | 4 | | 21-25-21 | GDX0004 | D.. | 2 | R2 | 3 | | VL806-VL810, VL871-VL880, VN968-VN970, VS073-VS073, VS131-VS132, VS266-VS268 |

286T1080-300
Wire Bundle Assembly
Figure 114 (Sheet 16)

25-71-01

| WIRE | | FROM EQUIPMENT | | | TO EQUIPMENT | | | WIRE INFO | | | | | |
|--------|----|----------------|--------|------|--------------|----------|---------|-----------|----|---------|----|-------|--|
| NUMBER | GA | TYP | NUMBER | TERM | TT | WDM REF | NUMBER | TERM | TT | EMC/SEP | FT | NOTES | EFFECTIVITY |
| 39 | 24 | PK | D01874 | 22 | | 21-25-21 | D05552J | 28 | | R2 | 4 | | VK001-VK080, VK131-VK140, VK161-VK190, VL001-VL040, VL751-VL790, VL796-VL805, VL891-VL940, VN001-VN050, VN171-VN190, VN211-VN290, VN301-VN340, VN371-VN650, VN671-VN675, VN681-VN730, VN791-VN810, VN921-VN960, VN966-VN967, VN971-VN990, VR421-VR461, VR461-VR471, VR471-VR471, VS051-VS052, VS061-VS066, VS070, VS091-VS094, VS176-VS177, VS196-VS199, VS206-VS207, VS261-VS262 |
| 39 | 24 | PK | D01874 | 22 | | 21-25-21 | D05552J | 28 | | R2 | 2 | | VL806-VL810, VL871-VL880, VN968-VN970, VS073-VS073, VS131-VS132, VS266-VS268 |
| 40 | 24 | PK | D01874 | 23 | | 21-25-21 | D05552J | 30 | | R2 | 4 | | VK001-VK080, VK131-VK140, VK161-VK190, VL001-VL040, VL751-VL790, VL796-VL805, VL891-VL940, VN001-VN050, VN171-VN190, VN211-VN290, VN301-VN340, VN371-VN650, VN671-VN675, VN681-VN730, VN791-VN810, VN921-VN960, VN966-VN967, VN971-VN990, VR421-VR461, VR461-VR471, VR471-VR471, VS051-VS052, VS061-VS066, VS070, VS091-VS094, VS176-VS177, VS196-VS199, VS206-VS207, VS261-VS262 |
| 40 | 24 | PK | D01874 | 23 | | 21-25-21 | D05552J | 30 | | R2 | 2 | | VL806-VL810, VL871-VL880, VN968-VN970, VS073-VS073, VS131-VS132, VS266-VS268 |
| 41 | 24 | PK | D02176 | 13 | | 21-58-15 | TB0182X | C016 | BJ | R2 | 3 | | VK001-VK003 |
| 41 | 24 | PK | D02176 | 13 | | 21-58-15 | D05644J | 8 | | R2 | 3 | | VK004-VK030, VK032-VK080, VK131-VK140, VK161-VK190, VL001-VL040, VL751-VL790, VL796-VL805, VL891-VL940, VN001-VN050, VN171-VN190, VN211-VN290, VN301-VN340, VN371-VN650, VN671-VN675, VN681-VN730, VN791-VN810, VN921-VN960, VN966-VN967, VN971-VN990, VR421-VR461, VR461-VR471, VR471-VR471, VS051-VS052, VS061-VS066, VS070, VS091-VS094, VS176-VS177, VS196-VS199, VS206-VS207, VS261-VS262 |
| 41 | 24 | PK | D02176 | 13 | | 21-58-15 | D05644J | 12 | | R2 | 3 | | VK031-VK031 |
| 41 | 24 | PK | D02176 | 13 | | 21-58-15 | D05644J | 8 | | R2 | 1 | | VL806-VL810, VL871-VL880, VN968-VN970, VS073-VS073, VS131-VS132, VS266-VS268 |

 286T1080-300
 Wire Bundle Assembly
 Figure 114 (Sheet 17)

25-71-01



BOEING
COMPONENT
MAINTENANCE MANUAL

| WIRE | | FROM EQUIPMENT | | | TO EQUIPMENT | | | WIRE INFO | | | | | |
|--------|----|----------------|--------|------|--------------|----------|---------|-----------|----|---------|----|-------|--|
| NUMBER | GA | TYP | NUMBER | TERM | TT | WDM REF | NUMBER | TERM | TT | EMC/SEP | FT | NOTES | EFFECTIVITY |
| 42 | 22 | PA | D02176 | 15 | | 21-58-15 | GDX0004 | D.. | 2 | R2 | 4 | | VK001-VK080, VK131-VK140, VK161-VK190, VL001-VL040, VL751-VL790, VL796-VL805, VL891-VL940, VN001-VN050, VN171-VN190, VN211-VN290, VN301-VN340, VN371-VN650, VN671-VN675, VN681-VN730, VN791-VN810, VN921-VN960, VN966-VN967, VN971-VN990, VR421-VR421, VR461-VR461 VR471-VR471, VS051-VS052, VS061-VS061, VS066-VS070, VS091-VS094, VS176-VS177, VS196-VS199, VS206-VS207, VS261-VS262 |
| 42 | 22 | PA | D02176 | 15 | | 21-58-15 | GDX0004 | D.. | 2 | R2 | 2 | | VL806-VL810, VL871-VL880, VN968-VN970, VS073-VS073, VS131-VS132, VS266-VS268 |
| 43 | 22 | PA | D02176 | 12 | | 21-58-15 | GDX0004 | D.. | 2 | R2 | 4 | | VK001-VK003 |
| 43 | 22 | PA | D02176 | 12 | | 21-58-15 | TB0182X | C016 | BJ | R2 | 4 | | VK004-VK080, VK131-VK140, VK161-VK190, VL001-VL040, VL751-VL790, VL796-VL805, VL891-VL940, VN001-VN050, VN171-VN190, VN211-VN290, VN301-VN340, VN371-VN650, VN671-VN675, VN681-VN730, VN791-VN810, VN921-VN960, VN966-VN967, VN971-VN990, VR421-VR421, VR461-VR461 VR471-VR471, VS051-VS052, VS061-VS061, VS066-VS070, VS091-VS094, VS176-VS177, VS196-VS199, VS206-VS207, VS261-VS262 |
| 43 | 22 | PA | D02176 | 12 | | 21-58-15 | TB0182X | C016 | BJ | R2 | 2 | | VL806-VL810, VL871-VL880, VN968-VN970, VS073-VS073, VS131-VS132, VS266-VS268 |
| 44 | 24 | PK | D02176 | 33 | | 21-58-15 | D05644J | 4 | | R2 | 3 | | VK001-VK080, VK131-VK140, VK161-VK190, VL001-VL040, VL751-VL790, VL796-VL805, VL891-VL940, VN001-VN050, VN171-VN190, VN211-VN290, VN301-VN340, VN371-VN650, VN671-VN675, VN681-VN730, VN791-VN810, VN921-VN960, VN966-VN967, VN971-VN990, VR421-VR421, VR461-VR461 VR471-VR471, VS051-VS052, VS061-VS061, VS066-VS070, VS091-VS094, VS176-VS177, VS196-VS199, VS206-VS207, VS261-VS262 |
| 44 | 24 | PK | D02176 | 33 | | 21-58-15 | D05644J | 4 | | R2 | 1 | | VL806-VL810, VL871-VL880, VN968-VN970, VS073-VS073, VS131-VS132, VS266-VS268 |

286T1080-300
Wire Bundle Assembly
Figure 114 (Sheet 18)

25-71-01

| WIRE | | | FROM EQUIPMENT | | | TO EQUIPMENT | | | WIRE INFO | | | | |
|--------|----|-----|----------------|------|----|--------------|---------|------|-----------|---------|----|-------|--|
| NUMBER | GA | TYP | NUMBER | TERM | TT | WDM REF | NUMBER | TERM | TT | EMC/SEP | FT | NOTES | EFFECTIVITY |
| 45 | 24 | PK | D02176 | 11 | | 21-58-15 | D05644J | 7 | | R2 | 3 | | VK001-VK080, VK131-VK140, VK161-VK190, VL001-VL040, VL751-VL790, VL796-VL805, VL891-VL940, VN001-VN050, VN171-VN190, VN211-VN290, VN301-VN340, VN371-VN650, VN671-VN675, VN681-VN730, VN791-VN810, VN921-VN960, VN966-VN967, VN971-VN990, VR421-VR421, VR461-VR461 VR471-VR471, VS051-VS052, VS061-VS061, VS066-VS070, VS091-VS094, VS176-VS177, VS196-VS199, VS206-VS207, VS261-VS262 |
| 45 | 24 | PK | D02176 | 11 | | 21-58-15 | D05644J | 7 | | R2 | 1 | | VL806-VL810, VL871-VL880, VN968-VN970, VS073-VS073, VS131-VS132, VS266-VS268 |
| 46 | 24 | PK | D02176 | 32 | | 21-58-15 | D05644J | 1 | | R2 | 3 | | VK001-VK080, VK131-VK140, VK161-VK190, VL001-VL040, VL751-VL790, VL796-VL805, VL891-VL940, VN001-VN050, VN171-VN190, VN211-VN290, VN301-VN340, VN371-VN650, VN671-VN675, VN681-VN730, VN791-VN810, VN921-VN960, VN966-VN967, VN971-VN990, VR421-VR421, VR461-VR461 VR471-VR471, VS051-VS052, VS061-VS061, VS066-VS070, VS091-VS094, VS176-VS177, VS196-VS199, VS206-VS207, VS261-VS262 |
| 46 | 24 | PK | D02176 | 32 | | 21-58-15 | D05644J | 1 | | R2 | 1 | | VL806-VL810, VL871-VL880, VN968-VN970, VS073-VS073, VS131-VS132, VS266-VS268 |
| 47 | 22 | PA | D05644J | 14 | | 36-11-52 | TB0248X | B012 | BJ | R2 | 3 | | VK001-VK054, VK131-VK140, VK161-VK170, VK181-VK190, VL001-VL040, VL751-VL790, VL796-VL805, VL911-VL940, VN001-VN050, VN171-VN190, VN211-VN290, VN301-VN340, VN371-VN650, VN671-VN675, VN681-VN730, VN791-VN810, VN921-VN960, VN966-VN967, VN971-VN990, VR461-VR461 VS051-VS052, VS061-VS061, VS066-VS070, VS091-VS094, VS176-VS177, VS196-VS199, VS206-VS207, VS261-VS262 |
| 47 | 22 | PA | D05644J | 14 | | 36-11-52 | TB0248X | B012 | BJ | R2 | 3 | | VK055-VK080, VK171-VK180, VR421-VR421, VR471-VR471 |
| 47 | 22 | PA | D05644J | 14 | | 36-11-52 | TB0248X | B012 | BJ | R2 | 2 | | VL806-VL810, VN968-VN970, VS073-VS073, VS131-VS132, VS266-VS268 |
| 47 | 24 | PK | D05766J | 13 | | 36-11-52 | TB0248X | B012 | BJ | R2 | 2 | | VL871-VL880 |
| 47 | 22 | PA | D05644J | 14 | | 36-11-52 | TB0248X | B012 | BJ | R2 | 3 | | VL891-VL910 |

286T1080-300
Wire Bundle Assembly
Figure 114 (Sheet 19)

25-71-01



BOEING
COMPONENT
MAINTENANCE MANUAL

| WIRE | | FROM EQUIPMENT | | | TO EQUIPMENT | | | WIRE INFO | | |
|--------|--------|----------------|---------|----------|--------------|---------|---------|-----------|-------|---|
| NUMBER | CA TYP | NUMBER | TERM TT | WDM REF | NUMBER | TERM TT | EMC/SEP | FT | NOTES | EFFECTIVITY |
| 48 | 24 PK | D02176 | 37 | 21-58-15 | TB0248X | A012 BJ | R2 | 3 | | VK001-VK080, VK161-VK190, VL001-VL011-VL040, VL751-VL790, VL796-VL805, VL891-VL940, VN001-VN050, VN171-VN190, VN221-VN290, VN301-VN340, VN371-VN490, VN546-VN550, VN631-VN650, VN671-VN675, VN681-VN730, VN791-VN810, VN921-VN960, VN966-VN967, VN971-VN990, VR421-VR421, VR461-VR461, VR471-VR471, VS051-VS052, VS061-VS061, VS066-VS070, VS176-VS177, VS196-VS199, VS206-VS207, VS261-VS262 |
| 48 | 24 FK | D02176 | 37 | 21-58-15 | TB0248Y | A009 BJ | R2 | 3 | | VK131-VK140, VL002-VL010, VN211-VN220, VN531-VN545, VN551-VN630 |
| 48 | 24 PK | D02176 | 37 | 21-58-15 | TB0248X | A012 BJ | R2 | 2 | | VL806-VL810, VL871-VL880, VN968-VN970, VS073-VS073, VS131-VS132, VS266-VS268 |
| 48 | 24 PK | D02176 | 37 | 21-58-15 | TB0248Y | C004 BJ | R2 | 3 | | VN491-VN530 |
| 48 | 24 PK | D02176 | 37 | 21-58-15 | TB0248X | A12 BJ | R2 | 3 | | VS091-VS094 |
| 49 | 24 PK | D02176 | 30 | 21-58-15 | D05644J | 6 | R2 | 3 | | VK001-VK003 |
| 50 | 24 PK | D01874 | 7 | 21-26-11 | D05644J | 21 | R2 | 3 | | VK001-VK080, VK131-VK140, VK161-VK190, VL001-VL040, VL751-VL790, VL796-VL805, VL891-VL940, VN001-VN050, VN171-VN190, VN211-VN290, VN301-VN340, VN371-VN650, VN671-VN675, VN681-VN730, VN791-VN810, VN921-VN960, VN966-VN967, VN971-VN990, VR421-VR421, VR461-VR461, VR471-VR471, VS051-VS052, VS061-VS061, VS066-VS070, VS091-VS094, VS176-VS177, VS196-VS199, VS206-VS207, VS261-VS262 |
| 50 | 24 PK | D01874 | 7 | 21-26-11 | D05644J | 21 | R2 | 2 | | VL806-VL810, VL871-VL880, VN968-VN970, VS073-VS073, VS131-VS132, VS266-VS268 |
| 51 | 22 PA | D01874 | 9 | 21-26-11 | GDX0002 | D.. 2 | R2 | 4 | | VK001-VK080, VK131-VK140, VK161-VK190, VL001-VL040, VL751-VL790, VL796-VL805, VL891-VL940, VN001-VN050, VN171-VN190, VN211-VN290, VN301-VN340, VN371-VN650, VN671-VN675, VN681-VN730, VN791-VN810, VN921-VN960, VN966-VN967, VN971-VN990, VR421-VR421, VR461-VR461, VR471-VR471, VS051-VS052, VS061-VS061, VS066-VS070, VS091-VS094, VS176-VS177, VS196-VS199, VS206-VS207, VS261-VS262 |

286T1080-300
Wire Bundle Assembly
Figure 114 (Sheet 20)

25-71-01

| WIRE | | FROM EQUIPMENT | | | TO EQUIPMENT | | | WIRE INFO | | | | | |
|--------|----|----------------|--------|------|--------------|----------|---------|-----------|----|---------|----|-------|---|
| NUMBER | GA | TYP | NUMBER | TERM | TT | WDM REF | NUMBER | TERM | TT | EMC/SEP | FT | NOTES | EFFECTIVITY |
| 51 | 22 | PA | D01874 | 9 | | 21-26-11 | GDX0002 | D.. | 2 | R2 | 3 | | VL806-VL810, VL871-VL880, VN968-VN970, VS073-VS073, VS131-VS132, VS266-VS268 |
| 52 | 24 | PK | D01874 | 28 | | 21-26-11 | D05644J | 22 | | R2 | 3 | | VK001-VK080, VK131-VK140, VK161-VK190, VL001-VL040, VL751-VL790, VL796-VL805, VL891-VL940, VN001-VN050, VN171-VN190, VN211-VN290, VN301-VN340, VN371-VN650, VN671-VN675, VN681-VN730, VN791-VN810, VN921-VN960, VN966-VN967, VN971-VN990, VR421-VR421, VR461-VR461, VR471-VR471, VS051-VS052, VS061-VS061, VS066-VS070, VS091-VS094, VS176-VS177, VS196-VS199, VS206-VS207, VS261-VS262 |
| 52 | 24 | PK | D01874 | 28 | | 21-26-11 | D05644J | 22 | | R2 | 2 | | VL806-VL810, VL871-VL880, VN968-VN970, VS073-VS073, VS131-VS132, VS266-VS268 |
| 53 | 24 | PK | D01874 | 8 | | 21-26-11 | D05644J | 18 | | R2 | 3 | | VK001-VK080, VK131-VK140, VK161-VK190, VL001-VL040, VL751-VL790, VL796-VL805, VL891-VL940, VN001-VN050, VN171-VN190, VN211-VN290, VN301-VN340, VN371-VN650, VN671-VN675, VN681-VN730, VN791-VN810, VN921-VN960, VN966-VN967, VN971-VN990, VR421-VR421, VR461-VR461, VR471-VR471, VS051-VS052, VS061-VS061, VS066-VS070, VS091-VS094, VS176-VS177, VS196-VS199, VS206-VS207, VS261-VS262 |
| 53 | 24 | PK | D01874 | 8 | | 21-26-11 | D05644J | 18 | | R2 | 2 | | VL806-VL810, VL871-VL880, VN968-VN970, VS073-VS073, VS131-VS132, VS266-VS268 |
| 54 | 24 | PK | D01874 | 6 | | 21-26-11 | D05644J | 20 | | R2 | 3 | | VK001-VK080, VK131-VK140, VK161-VK190, VL001-VL040, VL751-VL790, VL796-VL805, VL891-VL940, VN001-VN050, VN171-VN190, VN211-VN290, VN301-VN340, VN371-VN650, VN671-VN675, VN681-VN730, VN791-VN810, VN921-VN960, VN966-VN967, VN971-VN990, VR421-VR421, VR461-VR461, VR471-VR471, VS051-VS052, VS061-VS061, VS066-VS070, VS091-VS094, VS176-VS177, VS196-VS199, VS206-VS207, VS261-VS262 |
| 54 | 24 | PK | D01874 | 6 | | 21-26-11 | D05644J | 20 | | R2 | 2 | | VL806-VL810, VL871-VL880, VN968-VN970, VS073-VS073, VS131-VS132, VS266-VS268 |

 286T1080-300
 Wire Bundle Assembly
 Figure 114 (Sheet 21)

25-71-01



BOEING
COMPONENT
MAINTENANCE MANUAL

| WIRE | | FROM EQUIPMENT | | | TO EQUIPMENT | | | WIRE INFO | | | | | |
|--------|----|----------------|--------|------|--------------|----------|---------|-----------|----|-------------|----|-------|--|
| NUMBER | GA | TYP | NUMBER | TERM | TT | WDM REF | NUMBER | TERM | TT | EMC/ SEP | FT | NOTES | EFFECTIVITY |
| 55 | 24 | PK | D01874 | 27 | | 21-26-11 | D05644J | 17 | | R2 | 3 | | VK001-VK080, VK131-VK140, VK161-VK190, VL001-VL040, VL751-VL790, VL796-VL805, VL891-VL940, VN001-VN050, VN171-VN190, VN211-VN290, VN301-VN340, VN371-VN650, VN671-VN675, VN681-VN730, VN791-VN810, VN921-VN960, VN966-VN967, VN971-VN990, VR421-VR421, VR461-VR461 VR471-VR471, VS051-VS052, VS061-VS061, VS066-VS070, VS091-VS094, VS176-VS177, VS196-VS199, VS206-VS207, VS261-VS262 |
| 55 | 24 | PK | D01874 | 27 | | 21-26-11 | D05644J | 17 | | R2 | 2 | | VL806-VL810, VL871-VL880, VN968-VN970, VS073-VS073, VS131-VS132, VS266-VS268 |
| 56 | 24 | PK | D01874 | 36 | | 21-26-11 | D05644J | 32 | | R2 | 3 | | VK001-VK080, VK131-VK140, VK161-VK190, VL001-VL040, VL751-VL790, VL796-VL805, VL891-VL940, VN001-VN050, VN171-VN190, VN211-VN290, VN301-VN340, VN371-VN650, VN671-VN675, VN681-VN730, VN791-VN810, VN921-VN960, VN966-VN967, VN971-VN990, VR421-VR421, VR461-VR461 VR471-VR471, VS051-VS052, VS061-VS061, VS066-VS070, VS091-VS094, VS176-VS177, VS196-VS199, VS206-VS207, VS261-VS262 |
| 56 | 24 | PK | D01874 | 36 | | 21-26-11 | D05644J | 32 | | R2 | 2 | | VL806-VL810, VL871-VL880, VN968-VN970, VS073-VS073, VS131-VS132, VS266-VS268 |
| 57 | 24 | PK | D01874 | 13 | | 21-58-14 | TB0182X | C013 | BJ | R2 | 4 | | VK001-VK003 |
| 58 | 22 | PA | D01874 | 15 | | 21-58-14 | GDX0002 | D.. | 2 | R2 | 4 | | VK001-VK003 |
| 59 | 24 | PK | D01874 | 12 | | 21-58-14 | D05644J | 13 | | R2 | 3 | | VK001-VK003 |
| 60 | 24 | PK | D01874 | 33 | | 21-58-14 | D05644J | 10 | | R2 | 3 | | VK001-VK003 |
| 61 | 24 | PK | D01874 | 11 | | 21-58-14 | D05644J | 12 | | R2 | 3 | | VK001-VK003 |
| 62 | 24 | PK | D01874 | 32 | | 21-58-14 | D05644J | 9 | | R2 | 3 | | VK001-VK003 |
| 63 | 24 | PK | D01874 | 14 | | 21-58-14 | TB0158F | C020 | 2 | R2 | 4 | | VK001-VK003 |

286T1080-300
Wire Bundle Assembly
Figure 114 (Sheet 22)

25-71-01

TESTING & FAULT ISOLATION
01
Page 138E
Nov 01/02

| WIRE | | FROM EQUIPMENT | | | TO EQUIPMENT | | | WIRE INFO | | | | | |
|--------|----|----------------|---------|------|--------------|----------|---------|-----------|----|---------|----|--------|---|
| NUMBER | GA | TYP | NUMBER | TERM | TT | WDM REF | NUMBER | TERM | TT | EMC/SEP | FT | NOTES | EFFECTIVITY |
| 63 | 24 | PK | D02176 | 14 | | 21-58-15 | TB0158F | C020 | 2 | R2 | 4 | | VK004-VK080, VK131-VK140, VK161-VK190, VL001-VL040, VL751-VL790, VL796-VL805, VL891-VL940, VN001-VN050, VN171-VN190, VN211-VN290, VN301-VN340, VN371-VN650, VN671-VN675, VN681-VN730, VN791-VN810, VN921-VN960, VN966-VN967, VN971-VN990, VR421-VR421, VR461-VR461, VR471-VR471, VS051-VS052, VS061-VS061, VS066-VS070, VS091-VS094, VS176-VS177, VS196-VS199, VS206-VS207, VS261-VS262 |
| 63 | 24 | PK | D02176 | 14 | | 21-58-15 | TB0158F | C020 | 2 | R2 | 2 | | VL806-VL810, VL871-VL880, VN968-VN970, VS073-VS073, VS131-VS132, VS266-VS268 |
| 64 | 24 | PK | D01874 | 31 | | 21-58-14 | D05644J | 15 | | R2 | 3 | | VK001-VK003 |
| 64 | 24 | PK | D05552J | 1 | | 73-21-18 | TB0182Y | C008 | BJ | R2 | 3 | | VK161-VK161, VN223-VN230, VN251-VN260, VN671-VN675, VN681-VN683 |
| 64 | 24 | PK | D05552J | 1 | | 73-21-18 | TB0182Y | C021 | BJ | R2 | 3 | | VL751-VL790, VN634-VN650 |
| 64 | 24 | PK | D05552J | 1 | | 73-21-18 | TB0182Y | C008 | BJ | R2 | 2 | | VL871-VL880 |
| 64 | 24 | PK | D05552J | 1 | | 73-21-18 | TB0182Y | C021 | BJ | R2 | 3 | | VL891-VL910 |
| 64 | 24 | PK | D05552J | 1 | | 73-21-18 | TB0182Y | C008 | BJ | R2 | 3 | MNT-T2 | VN221-VN222 |
| 64 | 24 | PK | D05552J | 1 | | 73-21-18 | TB0182Y | C013 | BJ | R2 | 3 | | VN301-VN340 |
| 65 | 24 | PK | D05552J | 2 | | 73-21-18 | TB0182X | A012 | BJ | R2 | 3 | | VL751-VL790, VN221-VN230, VN301-VN340, VN671-VN675 |
| 65 | 24 | PK | D05552J | 2 | | 73-21-18 | TB0182X | A016 | BJ | R2 | 2 | | VL871-VL880 |
| 65 | 24 | PK | D05552J | 2 | | 73-21-18 | TB0182X | C013 | BJ | R2 | 3 | | VL891-VL910 |
| 65 | 24 | PK | D05552J | 2 | | 73-21-18 | TB0182X | C013 | BJ | R2 | 3 | | VN634-VN650 |
| 66 | 24 | PK | D01874 | 35 | | 21-26-11 | TB0248X | C011 | BJ | R2 | 4 | | VK001-VK080, VK131-VK140, VK161-VK190, VL001-VL040, VL751-VL790, VL796-VL805, VL891-VL940, VN001-VN050, VN171-VN190, VN211-VN290, VN301-VN340, VN371-VN650, VN671-VN675, VN681-VN730, VN791-VN810, VN921-VN960, VN966-VN967, VN971-VN990, VR421-VR421, VR461-VR461, VR471-VR471, VS051-VS052, VS061-VS061, VS066-VS070, VS091-VS094, VS176-VS177, VS196-VS199, VS206-VS207, VS261-VS262 |
| 66 | 24 | PK | D01874 | 35 | | 21-26-11 | TB0248X | C011 | BJ | R2 | 2 | | VL806-VL810, VL871-VL880, VN968-VN970, VS073-VS073, VS131-VS132, VS266-VS268 |
| 67 | 24 | PK | TB0158F | C017 | 2 | 21-58-14 | D01874 | 38 | | R2 | 4 | | VK001-VK003 |

286T1080-300
Wire Bundle Assembly
Figure 114 (Sheet 23)

25-71-01



BOEING
COMPONENT
MAINTENANCE MANUAL

| WIRE | | | FROM EQUIPMENT | | | TO EQUIPMENT | | | WIRE INFO | | | | |
|--------|----|-----|----------------|------|----|--------------|---------|------|-----------|---------|----|-------|---|
| NUMBER | GA | TYP | NUMBER | TERM | TT | WDM REF | NUMBER | TERM | TT | EMC/SEP | FT | NOTES | EFFECTIVITY |
| 67 | 24 | PK | TS0158F | C017 | 2 | 21-58-15 | D02176 | 38 | | R2 | 4 | | VK004-VK080, VK131-VK140, VK161-VK190, VL001-VL040, VL751-VL790, VL796-VL805, VL891-VL940, VN001-VN050, VN171-VN190, VN211-VN290, VN301-VN340, VN371-VN650, VN671-VN675, VN681-VN730, VN791-VN810, VN921-VN960, VN966-VN967, VN971-VN990, VR421-VR461, VR461, VR471-VR471, VS051-VS052, VS061-VS066, VS070, VS091-VS094, VS176-VS177, VS196-VS199, VS206-VS207, VS261-VS262 |
| 67 | 24 | PK | TS0158F | C017 | 2 | 21-58-15 | D02176 | 38 | | R2 | 2 | | VL806-VL810, VL871-VL880, VN968-VN970, VS073-VS073, VS131-VS132, VS266-VS268 |
| 68 | 24 | PK | D01870 | 19 | | 21-53-12 | D05552J | 45 | | R2 | 4 | | VK001-VK080, VK131-VK140, VK161-VK190, VL001-VL040, VL751-VL790, VL796-VL805, VL891-VL940, VN001-VN050, VN171-VN190, VN211-VN290, VN301-VN340, VN371-VN650, VN671-VN675, VN681-VN730, VN791-VN810, VN921-VN960, VN966-VN967, VN971-VN990, VR421-VR461, VR461, VR471-VR471, VS051-VS052, VS061-VS066, VS070, VS091-VS094, VS176-VS177, VS196-VS199, VS206-VS207, VS261-VS262 |
| 68 | 24 | PK | D01870 | 19 | | 21-53-12 | D05552J | 45 | | R2 | 2 | | VL806-VL810, VL871-VL880, VN968-VN970, VS073-VS073, VS131-VS132, VS266-VS268 |
| 69 | 22 | PA | D01870 | 21 | | 21-53-12 | GDX0002 | D.. | 2 | R2 | 5 | | VK001-VK080, VK131-VK140, VK161-VK190, VL001-VL040, VL751-VL790, VL796-VL805, VL891-VL940, VN001-VN050, VN171-VN190, VN211-VN290, VN301-VN340, VN371-VN650, VN671-VN675, VN681-VN730, VN791-VN810, VN921-VN960, VN966-VN967, VN971-VN990, VR421-VR461, VR461, VR471-VR471, VS051-VS052, VS061-VS066, VS070, VS091-VS094, VS176-VS177, VS196-VS199, VS206-VS207, VS261-VS262 |
| 69 | 22 | PA | D01870 | 21 | | 21-53-12 | GDX0002 | D.. | 2 | R2 | 3 | | VL806-VL810, VL871-VL880, VN968-VN970, VS073-VS073, VS131-VS132, VS266-VS268 |

286T1080-300
Wire Bundle Assembly
Figure 114 (Sheet 24)

25-71-01

TESTING & FAULT ISOLATION
01 Page 138G
Nov 01/02

| WIRE | | FROM EQUIPMENT | | | TO EQUIPMENT | | | WIRE INFO | | | | | |
|--------|----|----------------|--------|------|--------------|----------|---------|-----------|----|-------------|----|-------|---|
| NUMBER | GA | TYP | NUMBER | TERM | TT | WDM REF | NUMBER | TERM | TT | EMC/ SEP | FT | NOTES | EFFECTIVITY |
| 70 | 24 | PK | D01870 | 6 | | 21-53-12 | D05552J | 40 | | R2 | 4 | | VK001-VK080, VK131-VK140, VK161-VK190, VL001-VL040, VL751-VL790, VL796-VL805, VL891-VL940, VN001-VN050, VN171-VN190, VN211-VN290, VN301-VN340, VN371-VN650, VN671-VN675, VN681-VN730, VN791-VN810, VN921-VN960, VN966-VN967, VN971-VN990, VR421-VR461, VR461 VR471-VR471, VS051-VS052, VS061-VS066-VS070, VS091-VS094, VS176-VS177, VS196-VS199, VS206-VS207, VS261-VS262 |
| 70 | 24 | PK | D01870 | 6 | | 21-53-12 | D05552J | 40 | | R2 | 2 | | VL806-VL810, VL871-VL880, VN968-VN970, VS073-VS073, VS131-VS132, VS266-VS268 |
| 71 | 24 | PK | D01870 | 3 | | 21-53-12 | TE0182X | B012 | BJ | R2 | 4 | | VK001-VK080, VK131-VK140, VK161-VK190, VL001-VL040, VL751-VL790, VL796-VL805, VL891-VL940, VN001-VN050, VN171-VN190, VN211-VN290, VN301-VN340, VN371-VN650, VN671-VN675, VN681-VN730, VN791-VN810, VN921-VN960, VN966-VN967, VN971-VN990, VR421-VR461, VR461 VR471-VR471, VS051-VS052, VS061-VS066-VS070, VS091-VS094, VS176-VS177, VS196-VS199, VS206-VS207, VS261-VS262 |
| 71 | 24 | PK | D01870 | 3 | | 21-53-12 | TB0182X | B012 | BJ | R2 | 3 | | VL806-VL810, VL871-VL880, VN968-VN970, VS073-VS073, VS131-VS132, VS266-VS268 |
| 72 | 24 | PK | D01870 | 37 | | 21-53-12 | D05552J | 42 | | R2 | 4 | | VK001-VK080, VK131-VK140, VK161-VK190, VL001-VL040, VL751-VL790, VL796-VL805, VL891-VL940, VN001-VN050, VN171-VN190, VN211-VN290, VN301-VN340, VN371-VN650, VN671-VN675, VN681-VN730, VN791-VN810, VN921-VN960, VN966-VN967, VN971-VN990, VR421-VR461, VR461 VR471-VR471, VS051-VS052, VS061-VS066-VS070, VS091-VS094, VS176-VS177, VS196-VS199, VS206-VS207, VS261-VS262 |
| 72 | 24 | PK | D01870 | 37 | | 21-53-12 | D05552J | 42 | | R2 | 2 | | VL806-VL810, VL871-VL880, VN968-VN970, VS073-VS073, VS131-VS132, VS266-VS268 |

286T1080-300
Wire Bundle Assembly
Figure 114 (Sheet 25)

25-71-01



BOEING
COMPONENT
MAINTENANCE MANUAL

| WIRE | | FROM EQUIPMENT | | | TO EQUIPMENT | | | WIRE INFO | | | | | |
|--------|----|----------------|--------|------|--------------|----------|---------|-----------|----|---------|----|-------|--|
| NUMBER | GA | TYP | NUMBER | TERM | TT | WDM REF | NUMBER | TERM | TT | EMC/SEP | PT | NOTES | EFFECTIVITY |
| 73 | 24 | PK | D01870 | 36 | | 21-53-12 | D05552J | 43 | | R2 | 4 | | VK001-VK080, VK131-VK140, VK161-VK190, VL001-VL040, VL751-VL790, VL796-VL805, VL891-VL940, VN001-VN050, VN171-VN190, VN211-VN290, VN301-VN340, VN371-VN650, VN671-VN675, VN681-VN730, VN791-VN810, VN921-VN960, VN966-VN967, VN971-VN990, VR421-VR421, VR461-VR461 VR471-VR471, VS051-VS052, VS061-VS061, VS066-VS070, VS091-VS094, VS176-VS177, VS196-VS199, VS206-VS207, VS261-VS262 |
| 73 | 24 | PK | D01870 | 36 | | 21-53-12 | D05552J | 43 | | R2 | 2 | | VL806-VL810, VL871-VL880, VN968-VN970, VS073-VS073, VS131-VS132, VS266-VS268 |
| 74 | 24 | PK | D01870 | 35 | | 21-53-12 | D05552J | 44 | | R2 | 4 | | VK001-VK080, VK131-VK140, VK161-VK190, VL001-VL040, VL751-VL790, VL796-VL805, VL891-VL940, VN001-VN050, VN171-VN190, VN211-VN290, VN301-VN340, VN371-VN650, VN671-VN675, VN681-VN730, VN791-VN810, VN921-VN960, VN966-VN967, VN971-VN990, VR421-VR421, VR461-VR461 VR471-VR471, VS051-VS052, VS061-VS061, VS066-VS070, VS091-VS094, VS176-VS177, VS196-VS199, VS206-VS207, VS261-VS262 |
| 74 | 24 | PK | D01870 | 35 | | 21-53-12 | D05552J | 44 | | R2 | 2 | | VL806-VL810, VL871-VL880, VN968-VN970, VS073-VS073, VS131-VS132, VS266-VS268 |
| 75 | 24 | PK | D01870 | 8 | | 21-53-12 | TB0158F | A012 | 2 | R2 | 4 | | VK001-VK080, VK131-VK140, VK161-VK190, VL001-VL040, VL751-VL790, VL796-VL805, VL891-VL940, VN001-VN050, VN171-VN190, VN211-VN290, VN301-VN340, VN371-VN650, VN671-VN675, VN681-VN730, VN791-VN810, VN921-VN960, VN966-VN967, VN971-VN990, VR421-VR421, VR461-VR461 VR471-VR471, VS051-VS052, VS061-VS061, VS066-VS070, VS091-VS094, VS176-VS177, VS196-VS199, VS206-VS207, VS261-VS262 |
| 75 | 24 | PK | D01870 | 8 | | 21-53-12 | TB0158F | A012 | 2 | R2 | 3 | | VL806-VL810, VL871-VL880, VN968-VN970, VS073-VS073, VS131-VS132, VS266-VS268 |

286T1080-300
Wire Bundle Assembly
Figure 114 (Sheet 26)

25-71-01

| WIRE | | FROM EQUIPMENT | | | TO EQUIPMENT | | | WIRE INFO | | | |
|--------|--------|----------------|---------|----------|--------------|---------|---------|-----------|-------|--|--|
| NUMBER | CA TYP | NUMBER | TERM TT | WDM REF | NUMBER | TERM TT | EMC/SEP | FT | NOTES | EFFECTIVITY | |
| 76 | 24 PK | D01870 | 4 | 21-53-12 | D05552J | 50 | R2 | 4 | | VK001-VK080, VK131-VK140, VK161-VK190, VL001-VL040, VL751-VL790, VL796-VL805, VL891-VL940, VN001-VN050, VN171-VN190, VN211-VN290, VN301-VN340, VN371-VN650, VN671-VN675, VN681-VN730, VN791-VN810, VN921-VN960, VN966-VN967, VN971-VN990, VR421-VR421, VR461-VR461 VR471-VR471, VS051-VS052, VS061-VS061, VS066-VS070, VS091-VS094, VS176-VS177, VS196-VS199, VS206-VS207, VS261-VS262 | |
| 76 | 24 PK | D01870 | 4 | 21-53-12 | D05552J | 50 | R2 | 2 | | VL806-VL810, VL871-VL880, VN968-VN970, VS073-VS073, VS131-VS132, VS266-VS268 | |
| 77 | 24 PK | D01870 | 10 | 21-53-12 | D05552J | 51 | R2 | 4 | | VK001-VK080, VK131-VK140, VK161-VK190, VL001-VL040, VL751-VL790, VL796-VL805, VL891-VL940, VN001-VN050, VN171-VN190, VN211-VN290, VN301-VN340, VN371-VN650, VN671-VN675, VN681-VN730, VN791-VN810, VN921-VN960, VN966-VN967, VN971-VN990, VR421-VR421, VR461-VR461 VR471-VR471, VS051-VS052, VS061-VS061, VS066-VS070, VS091-VS094, VS176-VS177, VS196-VS199, VS206-VS207, VS261-VS262 | |
| 77 | 24 PK | D01870 | 10 | 21-53-12 | D05552J | 51 | R2 | 2 | | VL806-VL810, VL871-VL880, VN968-VN970, VS073-VS073, VS131-VS132, VS266-VS268 | |
| 78 | 24 PK | D01870 | 7 | 21-53-12 | D05552J | 48 | R2 | 4 | | VK001-VK080, VK131-VK140, VK161-VK190, VL001-VL040, VL751-VL790, VL796-VL805, VL891-VL940, VN001-VN050, VN171-VN190, VN211-VN290, VN301-VN340, VN371-VN650, VN671-VN675, VN681-VN730, VN791-VN810, VN921-VN960, VN966-VN967, VN971-VN990, VR421-VR421, VR461-VR461 VR471-VR471, VS051-VS052, VS061-VS061, VS066-VS070, VS091-VS094, VS176-VS177, VS196-VS199, VS206-VS207, VS261-VS262 | |
| 78 | 24 PK | D01870 | 7 | 21-53-12 | D05552J | 48 | R2 | 2 | | VL806-VL810, VL871-VL880, VN968-VN970, VS073-VS073, VS131-VS132, VS266-VS268 | |

286T1080-300
Wire Bundle Assembly
Figure 114 (Sheet 27)



BOEING
COMPONENT
MAINTENANCE MANUAL

| WIRE | | | FROM EQUIPMENT | | | TO EQUIPMENT | | | WIRE INFO | | | | |
|--------|----|-----|----------------|------|----|--------------|---------|------|-----------|---------|----|-------|---|
| NUMBER | GA | TYP | NUMBER | TERM | TT | WDM REF | NUMBER | TERM | TT | EMC/SEP | FT | NOTES | EFFECTIVITY |
| 79 | 24 | PK | D01870 | 11 | | 21-53-12 | D05552J | 49 | | R2 | 4 | | VK001-VK080, VK131-VK140, VK161-VK190, VL001-VL040, VL751-VL790, VL796-VL805, VL891-VL940, VN001-VN050, VN171-VN190, VN211-VN230, VN301-VN340, VN371-VN650, VN671-VN675, VN681-VN730, VN791-VN810, VN921-VN960, VN966-VN967, VN971-VN990, VR421-VR461, VR461-VR471, VR471, VS051-VS052, VS061-VS066, VS070, VS091-VS094, VS176-VS177, VS196-VS199, VS206-VS207, VS261-VS262 |
| 79 | 24 | PK | D01870 | 11 | | 21-53-12 | D05552J | 49 | | R2 | 2 | | VL806-VL810, VL871-VL880, VN968-VN970, VS073-VS073, VS131-VS132, VS266-VS268 |
| 80 | 24 | PK | D01870 | 12 | | 21-53-12 | D05552J | 46 | | R2 | 4 | | VK001-VK080, VK131-VK140, VK161-VK190, VL001-VL040, VL751-VL790, VL796-VL805, VL891-VL940, VN001-VN050, VN171-VN190, VN211-VN230, VN301-VN340, VN371-VN650, VN671-VN675, VN681-VN730, VN791-VN810, VN921-VN960, VN966-VN967, VN971-VN990, VR421-VR461, VR461-VR471, VR471, VS051-VS052, VS061-VS066, VS070, VS091-VS094, VS176-VS177, VS196-VS199, VS206-VS207, VS261-VS262 |
| 80 | 24 | PK | D01870 | 12 | | 21-53-12 | D05552J | 46 | | R2 | 2 | | VL806-VL810, VL871-VL880, VN968-VN970, VS073-VS073, VS131-VS132, VS266-VS268 |
| 81 | 24 | PK | D01870 | 9 | | 21-53-12 | D05552J | 47 | | R2 | 4 | | VK001-VK080, VK131-VK140, VK161-VK190, VL001-VL040, VL751-VL790, VL796-VL805, VL891-VL940, VN001-VN050, VN171-VN190, VN211-VN230, VN301-VN340, VN371-VN650, VN671-VN675, VN681-VN730, VN791-VN810, VN921-VN960, VN966-VN967, VN971-VN990, VR421-VR461, VR461-VR471, VR471, VS051-VS052, VS061-VS066, VS070, VS091-VS094, VS176-VS177, VS196-VS199, VS206-VS207, VS261-VS262 |
| 81 | 24 | PK | D01870 | 9 | | 21-53-12 | D05552J | 47 | | R2 | 2 | | VL806-VL810, VL871-VL880, VN968-VN970, VS073-VS073, VS131-VS132, VS266-VS268 |

286T1080-300
Wire Bundle Assembly
Figure 114 (Sheet 28)

25-71-01

TESTING & FAULT ISOLATION
01 Page 138K
Nov 01/02

| WIRE | | FROM EQUIPMENT | | | TO EQUIPMENT | | | WIRE INFO | | | | | |
|--------|----|----------------|--------|------|--------------|----------|---------|-----------|----|---------|----|-------|---|
| NUMBER | GA | TYP | NUMBER | TERM | TT | WDM REF | NUMBER | TERM | TT | EMC/SEP | FT | NOTES | EFFECTIVITY |
| 82 | 24 | PK | D01870 | 16 | | 21-53-12 | D05552J | 34 | | R2 | 4 | | VK001-VK080, VK131-VK140, VK161-VK190, VL001-VL040, VL751-VL790, VL796-VL805, VL891-VL940, VN001-VN050, VN171-VN190, VN211-VN290, VN301-VN340, VN371-VN650, VN671-VN675, VN681-VN730, VN791-VN810, VN921-VN960, VN966-VN967, VN971-VN990, VR421-VR461, VR461-VR471-VR471, VS051-VS052, VS061-VS066-VS070, VS091-VS094, VS176-VS177, VS196-VS199, VS206-VS207, VS261-VS262 |
| 82 | 24 | PK | D01870 | 16 | | 21-53-12 | D05552J | 34 | | R2 | 2 | | VL806-VL810, VL871-VL880, VN968-VN970, VS073-VS073, VS131-VS132, VS266-VS268 |
| 83 | 24 | PK | D01870 | 14 | | 21-53-12 | D05552J | 35 | | R2 | 4 | | VK001-VK080, VK131-VK140, VK161-VK190, VL001-VL040, VL751-VL790, VL796-VL805, VL891-VL940, VN001-VN050, VN171-VN190, VN211-VN290, VN301-VN340, VN371-VN650, VN671-VN675, VN681-VN730, VN791-VN810, VN921-VN960, VN966-VN967, VN971-VN990, VR421-VR461-VR461-VR471-VR471, VS051-VS052, VS061-VS066-VS070, VS091-VS094, VS176-VS177, VS196-VS199, VS206-VS207, VS261-VS262 |
| 83 | 24 | PK | D01870 | 14 | | 21-53-12 | D05552J | 35 | | R2 | 2 | | VL806-VL810, VL871-VL880, VN968-VN970, VS073-VS073, VS131-VS132, VS266-VS268 |
| 84 | 24 | PK | D01870 | 15 | | 21-53-12 | D05552J | 36 | | R2 | 4 | | VK001-VK080, VK131-VK140, VK161-VK190, VL001-VL040, VL751-VL790, VL796-VL805, VL891-VL940, VN001-VN050, VN171-VN190, VN211-VN290, VN301-VN340, VN371-VN650, VN671-VN675, VN681-VN730, VN791-VN810, VN921-VN960, VN966-VN967, VN971-VN990, VR421-VR461-VR461-VR471-VR471, VS051-VS052, VS061-VS066-VS070, VS091-VS094, VS176-VS177, VS196-VS199, VS206-VS207, VS261-VS262 |
| 84 | 24 | PK | D01870 | 15 | | 21-53-12 | D05552J | 36 | | R2 | 2 | | VL806-VL810, VL871-VL880, VN968-VN970, VS073-VS073, VS131-VS132, VS266-VS268 |

286T1080-300
Wire Bundle Assembly
Figure 114 (Sheet 29)

25-71-01



BOEING
COMPONENT
MAINTENANCE MANUAL

| WIRE | | | FROM EQUIPMENT | | | TO EQUIPMENT | | | WIRE INFO | | | | |
|--------|----|-----|----------------|------|----|--------------|---------|------|-----------|---------|----|-------|--|
| NUMBER | GA | TYP | NUMBER | TERM | TT | WDM REF | NUMBER | TERM | TT | EMC/SEP | FT | NOTES | EFFECTIVITY |
| 85 | 24 | PK | D01870 | 13 | | 21-53-12 | D05552J | 37 | | R2 | 4 | | VK001-VK080, VK131-VK140, VK161-VK190, VL001-VL040, VL751-VL790, VL796-VL805, VL891-VL940, VN001-VN050, VN171-VN190, VN211-VN290, VN301-VN340, VN371-VN650, VN671-VN675, VN681-VN730, VN791-VN810, VN921-VN960, VN966-VN967, VN971-VN990, VR421-VR421, VR461-VR461 VR471-VR471, VS051-VS052, VS061-VS061, VS066-VS070, VS091-VS094, VS176-VS177, VS196-VS199, VS206-VS207, VS261-VS262 |
| 85 | 24 | PK | D01870 | 13 | | 21-53-12 | D05552J | 37 | | R2 | 2 | | VL806-VL810, VL871-VL880, VN968-VN970, VS073-VS073, VS131-VS132, VS266-VS268 |
| 86 | 24 | PK | D01870 | 18 | | 21-53-12 | D05552J | 38 | | R2 | 4 | | VK001-VK080, VK131-VK140, VK161-VK190, VL001-VL040, VL751-VL790, VL796-VL805, VL891-VL940, VN001-VN050, VN171-VN190, VN211-VN290, VN301-VN340, VN371-VN650, VN671-VN675, VN681-VN730, VN791-VN810, VN921-VN960, VN966-VN967, VN971-VN990, VR421-VR421, VR461-VR461 VR471-VR471, VS051-VS052, VS061-VS061, VS066-VS070, VS091-VS094, VS176-VS177, VS196-VS199, VS206-VS207, VS261-VS262 |
| 86 | 24 | PK | D01870 | 18 | | 21-53-12 | D05552J | 38 | | R2 | 2 | | VL806-VL810, VL871-VL880, VN968-VN970, VS073-VS073, VS131-VS132, VS266-VS268 |
| 87 | 24 | PK | D01870 | 17 | | 21-53-12 | D05552J | 39 | | R2 | 4 | | VK001-VK080, VK131-VK140, VK161-VK190, VL001-VL040, VL751-VL790, VL796-VL805, VL891-VL940, VN001-VN050, VN171-VN190, VN211-VN290, VN301-VN340, VN371-VN650, VN671-VN675, VN681-VN730, VN791-VN810, VN921-VN960, VN966-VN967, VN971-VN990, VR421-VR421, VR461-VR461 VR471-VR471, VS051-VS052, VS061-VS061, VS066-VS070, VS091-VS094, VS176-VS177, VS196-VS199, VS206-VS207, VS261-VS262 |
| 87 | 24 | PK | D01870 | 17 | | 21-53-12 | D05552J | 39 | | R2 | 2 | | VL806-VL810, VL871-VL880, VN968-VN970, VS073-VS073, VS131-VS132, VS266-VS268 |

286T1080-300
Wire Bundle Assembly
Figure 114 (Sheet 30)

25-71-01

| WIRE | | FROM EQUIPMENT | | | TO EQUIPMENT | | | WIRE INFO | | | | | |
|--------|----|----------------|---------|------|--------------|----------|---------|-----------|----|---------|----|-------|---|
| NUMBER | GA | TYP | NUMBER | TERM | TT | WDM REF | NUMBER | TERM | TT | EMC/SEP | FT | NOTES | EFFECTIVITY |
| 88 | 24 | PK | D01870 | 5 | | 21-53-12 | D05552J | 33 | | R2 | 4 | | VK001-VK080, VK131-VK140, VK161-VK190, VL001-VL040, VL751-VL790, VL796-VL805, VL891-VL940, VN001-VN050, VN171-VN190, VN211-VN290, VN301-VN340, VN371-VN650, VN671-VN675, VN681-VN730, VN791-VN810, VN921-VN960, VN966-VN967, VN971-VN990, VR421-VR421, VR461-VR461, VR471-VR471, VS051-VS052, VS061-VS061, VS066-VS070, VS091-VS094, VS176-VS177, VS196-VS199, VS206-VS207, VS261-VS262 |
| 88 | 24 | PK | D01870 | 5 | | 21-53-12 | D05552J | 33 | | R2 | 2 | | VL806-VL810, VL871-VL880, VN968-VN970, VS073-VS073, VS131-VS132, VS266-VS268 |
| 89 | 24 | PV | D01872 | 19 | | 21-58-11 | TB0158F | C011 | 2 | S2 | 3 | | VK001-VK080, VK131-VK140, VK161-VK190, VL001-VL040, VL796-VL805, VL891-VL940, VN001-VN050, VN171-VN190, VN211-VN290, VN301-VN340, VN371-VN387, VN421-VN421, VN471-VN650, VN671-VN675, VN681-VN730, VN791-VN810, VN921-VN960, VN966-VN967, VN971-VN990, VR421-VR421, VR461-VR461, VR471-VR471, VS051-VS052, VS061-VS061, VS066-VS070, VS196-VS199, VS206-VS207, VS261-VS262 |
| 89 | 24 | PK | D05644J | 23 | | 21-58-11 | D01872 | 19 | | S2 | 3 | | VL751-VL790, VN388-VN420, VN422-VN470, VS176-VS177 |
| 89 | 24 | PV | D01872 | 19 | | 21-58-11 | TB0158F | C011 | 2 | S2 | 2 | | VL806-VL810, VL871-VL880, VN968-VN970, VS073-VS073, VS131-VS132, VS266-VS268 |
| 89 | 24 | PK | D01872 | 19 | | 21-58-11 | D05644J | 23 | | S2 | 3 | | VS091-VS094 |
| 089Z | | | D01872 | DED | DED | 21-58-11 | TB0158F | DED | | S2 | | | VK001-VK080, VK131-VK140, VK161-VK190, VL001-VL040, VL796-VL810, VL871-VL880, VL891-VL940, VN001-VN050, VN171-VN190, VN211-VN290, VN301-VN340, VN371-VN387, VN421-VN421, VN471-VN650, VN671-VN675, VN681-VN730, VN791-VN810, VN921-VN960, VN966-VN967, VR421-VR421, VR461-VR461, VR471-VR471, VS051-VS052, VS061-VS061, VS066-VS070, VS073-VS073, VS131-VS132, VS196-VS199, VS206-VS207, VS261-VS262, VS266-VS268 |

 286T1080-300
 Wire Bundle Assembly
 Figure 114 (Sheet 31)

25-71-01



BOEING
COMPONENT
MAINTENANCE MANUAL

| WIRE | | FROM EQUIPMENT | | | TO EQUIPMENT | | | WIRE INFO | | | |
|--------|--------|----------------|---------|----------|--------------|---------|---------|-----------|-------|---|--|
| NUMBER | GA TYP | NUMBER | TERM TT | WDM REF | NUMBER | TERM TT | EMC/SEP | FT | NOTES | EFFECTIVITY | |
| 90 | 22 PA | D01872 | 41 | 21-58-11 | GDX0002 | D.. 2 | R2 | 4 | | VK001-VK080, VK131-VK140, VK161-VK190, VL001-VL040, VL751-VL790, VL796-VL805, VL891-VL940, VN001-VN050, VN171-VN190, VN211-VN290, VN301-VN340, VN371-VN650, VN671-VN675, VN681-VN730, VN791-VN810, VN921-VN960, VN966-VN967, VN971-VN990, VR421-VR422, VR461-VR461 VR471-VR471, VS051-VS052, VS061-VS061, VS066-VS070, VS091-VS094, VS176-VS177, VS196-VS199, VS206-VS207, VS261-VS262 | |
| 90 | 22 PA | D01872 | 41 | 21-58-11 | GDX0002 | D.. 2 | R2 | 2 | | VL806-VL810, VL871-VL880, VN968-VN970, VS073-VS073, VS131-VS132, VS266-VS268 | |
| 91 | 24 PK | D01872 | 3 | 21-58-11 | TB0182Y C002 | BJ | R2 | 3 | | VK001-VK080, VK131-VK140, VK161-VK190, VL001-VL040, VL751-VL790, VL796-VL805, VL891-VL940, VN001-VN050, VN171-VN190, VN211-VN290, VN301-VN340, VN371-VN650, VN671-VN675, VN681-VN730, VN791-VN810, VN921-VN960, VN966-VN967, VN971-VN990, VR421-VR421, VR461-VR461 VR471-VR471, VS051-VS052, VS061-VS061, VS066-VS070, VS091-VS094, VS176-VS177, VS196-VS199, VS206-VS207, VS261-VS262 | |
| 91 | 24 PK | D01872 | 3 | 21-58-11 | TB0182Y C002 | BJ | R2 | 2 | | VL806-VL810, VL871-VL880, VN968-VN970, VS073-VS073, VS131-VS132, VS266-VS268 | |
| 92 | 24 PK | D01872 | 4 | 21-58-11 | TB0158G 2 | 2 | R2 | 3 | | VK001-VK009, VK021-VK022, VK031-VK045, VL001-VL006, VL011-VL011, VN001-VN015, VN171-VN173, VN211-VN212, VN221-VN222, VN231-VN232, VN241-VN241 | |
| 92 | 24 PK | D01872 | 4 | 21-58-11 | TB0158Y C003 | BJ | R2 | 3 | | VK010-VK020, VK023-VK030, VK046-VK080, VK131-VK140, VK161-VK190, VL007-VL010, VL012-VL040, VL751-VL790, VL796-VL805, VL891-VL940, VN016-VN050, VN174-VN190, VN213-VN220, VN223-VN230, VN233-VN240, VN242-VN290, VN301-VN340, VN371-VN650, VN671-VN675, VN681-VN730, VN791-VN810, VN921-VN960, VN966-VN967, VN971-VN990, VR421-VR421, VR461-VR461, VR471-VR471, VS051-VS052, VS061-VS061, VS066-VS070, VS091-VS094, VS176-VS177, VS196-VS199, VS206-VS207, VS261-VS262 | |
| 92 | 24 PK | D01872 | 4 | 21-58-11 | TB0158Y C003 | BJ | R2 | 2 | | VL806-VL810, VL871-VL880, VN968-VN970, VS073-VS073, VS131-VS132, VS266-VS268 | |

286T1080-300
Wire Bundle Assembly
Figure 114 (Sheet 32)

25-71-01

| WIRE | | FROM EQUIPMENT | | | TO EQUIPMENT | | | WIRE INFO | | | | | |
|--------|----|----------------|---------|------|--------------|----------|---------|-----------|----|-----------|----|-------|--|
| NUMBER | GA | TYP | NUMBER | TERM | TT | WDM REF | NUMBER | TERM | TT | EMC / SEP | FT | NOTES | EFFECTIVITY |
| 93 | 24 | PK | D01872 | 5 | | 21-58-11 | TB0182Y | A001 | BJ | R2 | 3 | | VK001-VK080, VK131-VK140, VK161-VK190, VL001-VL040, VL751-VL790, VL796-VL805, VL891-VL940, VN001-VN050, VN171-VN190, VN211-VN290, VN301-VN340, VN371-VN650, VN671-VN675, VN681-VN730, VN791-VN810, VN921-VN960, VN966-VN967, VN971-VN990, VR421-VR421, VR461-VR461 VR471-VR471, VS051-VS052, VS061-VS061, VS066-VS070, VS091-VS094, VS176-VS177, VS196-VS199, VS206-VS207, VS261-VS262 |
| 93 | 24 | PK | D01872 | 5 | | 21-58-11 | TB0182Y | A001 | BJ | R2 | 2 | | VL806-VL810, VL871-VL880, VN968-VN970, VS073-VS073, VS131-VS132, VS266-VS268 |
| 94 | 24 | PK | D01872 | 6 | | 21-58-11 | TB0248X | A001 | BJ | R2 | 3 | | VK001-VK080, VK131-VK140, VK161-VK190, VL001-VL040, VL751-VL790, VL796-VL805, VL891-VL940, VN001-VN050, VN171-VN190, VN211-VN290, VN301-VN340, VN371-VN650, VN671-VN675, VN681-VN730, VN791-VN810, VN921-VN960, VN966-VN967, VN971-VN990, VR421-VR421, VR461-VR461 VR471-VR471, VS051-VS052, VS061-VS061, VS066-VS070, VS091-VS094, VS176-VS177, VS196-VS199, VS206-VS207, VS261-VS262 |
| 94 | 24 | PK | D01872 | 6 | | 21-58-11 | TB0248X | A001 | BJ | R2 | 2 | | VL806-VL810, VL871-VL880, VN968-VN970, VS073-VS073, VS131-VS132, VS266-VS268 |
| 95 | 24 | PK | TB0158D | C027 | 2 | 21-58-11 | D05644J | 23 | | R2 | 3 | | VK001-VK003 |
| 96 | 24 | PK | D01872 | 7 | | 21-58-12 | D05552J | 56 | | R2 | 3 | | VK001-VK003 |
| 96 | 24 | PK | D01872 | 7 | | 21-58-12 | TB0182X | B028 | BJ | R2 | 4 | | VK004-VK080, VK131-VK140, VK161-VK190, VL001-VL040, VL751-VL790, VL796-VL805, VL891-VL940, VN001-VN050, VN171-VN190, VN211-VN290, VN301-VN340, VN371-VN650, VN671-VN675, VN681-VN730, VN791-VN810, VN921-VN960, VN966-VN967, VN971-VN990, VR421-VR421, VR461-VR461 VR471-VR471, VS051-VS052, VS061-VS061, VS066-VS070, VS091-VS094, VS176-VS177, VS196-VS199, VS206-VS207, VS261-VS262 |
| 96 | 24 | PK | D01872 | 7 | | 21-58-12 | TB0182X | B028 | BJ | R2 | 2 | | VL806-VL810, VL871-VL880, VN968-VN970, VS073-VS073, VS131-VS132, VS266-VS268 |
| 98 | 24 | PK | D01872 | 10 | | 21-58-13 | D05552J | 59 | | R2 | 3 | | VK001-VK003 |

286T1080-300
Wire Bundle Assembly
Figure 114 (Sheet 33)

25-71-01



BOEING
COMPONENT
MAINTENANCE MANUAL

| WIRES | | FROM EQUIPMENT | | | TO EQUIPMENT | | | WIRE INFO | | | | | |
|--------|----|----------------|--------|------|--------------|----------|---------|-----------|----|---------|----|-------|--|
| NUMBER | GA | TYP | NUMBER | TERM | TT | WDM REF | NUMBER | TERM | TT | EMC/SEP | FT | NOTES | EFFECTIVITY |
| 98 | 24 | PK | D01872 | 10 | | 21-58-12 | TB0182X | A028 | BJ | R2 | 4 | | VK004-VK080, VK131-VK140, VK161-VK190, VL001-VL040, VL751-VL790, VL796-VL805, VL891-VL940, VN001-VN050, VN171-VN190, VN211-VN290, VN301-VN340, VN371-VN650, VN671-VN675, VN681-VN730, VN791-VN810, VN921-VN960, VN966-VN967, VN971-VN990, VR421-VR461, VR461, VR471-VR471, VS051-VS052, VS061-VS061, VS066-VS070, VS091-VS094, VS176-VS177, VS196-VS199, VS206-VS207, VS261-VS262 |
| 98 | 24 | PK | D01872 | 10 | | 21-58-12 | TB0182X | A028 | BJ | R2 | 2 | | VL806-VL810, VL871-VL880, VN968-VN970, VS073-VS073, VS131-VS132, VS266-VS268 |
| 99 | 24 | PK | D01872 | 9 | | 21-58-13 | D0552J | 60 | | R2 | 3 | | VK001-VK003 |
| 99 | 24 | PK | D01872 | 9 | | 21-58-12 | TB0182X | C028 | BJ | R2 | 4 | | VK004-VK080, VK131-VK140, VK161-VK190, VL001-VL040, VL751-VL790, VL796-VL805, VL891-VL940, VN001-VN050, VN171-VN190, VN211-VN290, VN301-VN340, VN371-VN650, VN671-VN675, VN681-VN730, VN791-VN810, VN921-VN960, VN966-VN967, VN971-VN990, VR421-VR461, VR461, VR471-VR471, VS051-VS052, VS061-VS061, VS066-VS070, VS091-VS094, VS176-VS177, VS196-VS199, VS206-VS207, VS261-VS262 |
| 99 | 24 | PK | D01872 | 9 | | 21-58-12 | TB0182X | C028 | BJ | R2 | 2 | | VL806-VL810, VL871-VL880, VN968-VN970, VS073-VS073, VS131-VS132, VS266-VS268 |
| 101 | 22 | PA | D01872 | 15 | | 21-58-11 | TB0182Y | A002 | BJ | R2 | 3 | | VK001-VK003, VK031-VK045 |
| 101 | 22 | PA | D01872 | 15 | | 21-58-11 | TB0182X | B011 | BJ | R2 | 3 | | VK004-VK008, VK021-VK022 |
| 101 | 22 | PA | D01872 | 15 | | 21-58-11 | TB0182X | B011 | BJ | R2 | 3 | | VK009-VK020, VK023-VK030, VK046-VK080, VK131-VK140, VK161-VK190, VL001-VL010, VL012-VL040, VL751-VL790, VL796-VL805, VL891-VL940, VN001-VN050, VN171-VN190, VN211-VN290, VN301-VN340, VN371-VN650, VN671-VN675, VN681-VN730, VN791-VN810, VN921-VN960, VN966-VN967, VN971-VN990, VR421-VR461, VR461, VR471-VR471, VS051-VS052, VS061-VS061, VS066-VS070, VS091-VS094, VS176-VS177, VS196-VS199, VS206-VS207, VS261-VS262 |
| 101 | 22 | PA | D01872 | 15 | | 21-58-11 | TB0182X | B011 | BJ | R2 | 3 | | VL806-VL810, VL871-VL880, VN968-VN970, VS073-VS073, VS131-VS132, VS266-VS268 |
| 101 | 22 | PA | D01872 | 15 | | 21-58-11 | TB0182Y | A002 | BJ | R2 | 3 | | VK001-VK003, VK031-VK045 |
| 101 | 22 | PA | D01872 | 15 | | 21-58-11 | TB0182X | B011 | BJ | R2 | 3 | | VK004-VK008, VK021-VK022 |
| 101 | 22 | PA | D01872 | 15 | | 21-58-11 | TB0182X | B011 | BJ | R2 | 3 | | VK009-VK020, VK023-VK030, VK046-VK080, VK131-VK140, VK161-VK190, VL001-VL010, VL012-VL040, VL751-VL790, VL796-VL805, VL891-VL940, VN001-VN050, VN171-VN190, VN211-VN290, VN301-VN340, VN371-VN650, VN671-VN675, VN681-VN730, VN791-VN810, VN921-VN960, VN966-VN967, VN971-VN990, VR421-VR461, VR461, VR471-VR471, VS051-VS052, VS061-VS061, VS066-VS070, VS091-VS094, VS176-VS177, VS196-VS199, VS206-VS207, VS261-VS262 |
| 101 | 22 | PA | D01872 | 15 | | 21-58-11 | TB0182X | B011 | BJ | R2 | 3 | | VL806-VL810, VL871-VL880, VN968-VN970, VS073-VS073, VS131-VS132, VS266-VS268 |

286T1080-300
Wire Bundle Assembly
Figure 114 (Sheet 34)

25-71-01

| WIRE | | FROM EQUIPMENT | | | TO EQUIPMENT | | | WIRE INFO | | | |
|--------|--------|----------------|---------|----------|--------------|---------|----------|-----------|-------|--|--|
| NUMBER | CA TYP | NUMBER | TERM TT | WDM REF | NUMBER | TERM TT | EMC/ SEP | FT | NOTES | EFFECTIVITY | |
| 101 | 22 PA | D01872 | 15 | 21-58-11 | TE0182X | B011 BJ | R2 | 2 | | VL806-VL810, VL871-VL880, VN968-VN970, VS073-VS073, VS131-VS132, VS266-VS268 | |
| 102 | 24 PK | D01872 | 12 | 33-16-11 | D05552J | 61 | R2 | 3 | | VK001-VK080, VK131-VK140, VK161-VK190, VL001-VL040, VL751-VL790, VL796-VL805, VL891-VL940, VN001-VN050, VN171-VN190, VN211-VN290, VN301-VN340, VN371-VN650, VN671-VN675, VN681-VN730, VN791-VN810, VN921-VN960, VN966-VN967, VN971-VN990, VR421-VR421, VR461-VR461, VR471-VR471, VS051-VS052, VS061-VS061, VS066-VS070, VS091-VS094, VS176-VS177, VS196-VS199, VS206-VS207, VS261-VS262 | |
| 102 | 24 PK | D01872 | 12 | 33-16-11 | D05552J | 61 | R2 | 1 | | VL806-VL810, VL871-VL880, VN968-VN970, VS073-VS073, VS131-VS132, VS266-VS268 | |
| 103 | 24 PK | D05644J | 41 | 21-58-11 | D01872 | 20 | R2 | 3 | | VK001-VK080, VK131-VK140, VK161-VK190, VL001-VL040, VL751-VL790, VL796-VL805, VL891-VL940, VN001-VN050, VN171-VN190, VN211-VN290, VN301-VN340, VN371-VN650, VN671-VN675, VN681-VN730, VN791-VN810, VN921-VN960, VN966-VN967, VN971-VN990, VR421-VR421, VR461-VR461, VR471-VR471, VS051-VS052, VS061-VS061, VS066-VS070, VS091-VS094, VS176-VS177, VS196-VS199, VS206-VS207, VS261-VS262 | |
| 103 | 24 PK | D05644J | 41 | 21-58-11 | D01872 | 20 | R2 | 1 | | VL806-VL810, VL871-VL880, VN968-VN970, VS073-VS073, VS131-VS132, VS266-VS268 | |
| 104R | 22 PH | D05766J | 19 | 26-18-22 | D01876 | 36 | R2 | 3 | | VK012-VK020, VK055-VK080, VK131-VK140, VK161-VK190, VL001-VL040, VL751-VL790, VL796-VL805, VL891-VL940, VN001-VN050, VN171-VN190, VN211-VN290, VN301-VN340, VN371-VN650, VN671-VN675, VN681-VN730, VN791-VN810, VN921-VN960, VN966-VN967, VN971-VN990, VR421-VR421, VR461-VR461, VR471-VR471, VS051-VS052, VS061-VS061, VS066-VS070, VS091-VS094, VS176-VS177, VS196-VS199, VS206-VS207, VS261-VS262 | |
| 104R | 22 PH | D05766J | 19 | 26-18-22 | D01876 | 36 | R2 | 2 | | VL806-VL810, VN968-VN970, VS073-VS073, VS131-VS132, VS266-VS268 | |

286T1080-300
Wire Bundle Assembly
Figure 114 (Sheet 35)

25-71-01



BOEING
COMPONENT
MAINTENANCE MANUAL

| WIRE | | FROM EQUIPMENT | | | TO EQUIPMENT | | | WIRE INFO | | | | | |
|--------|----|----------------|---------|------|--------------|----------|---------|-----------|----|---------|----|-------|--|
| NUMBER | GA | TYP | NUMBER | TERM | TT | WDM REF | NUMBER | TERM | TT | EMC/SEP | FT | NOTES | EFFECTIVITY |
| 105 | 22 | PA | D01872 | 21 | | 21-58-11 | GDX0002 | D.. | 2 | R2 | 4 | | VK001-VK080, VK131-VK140, VK161-VK190, VL001-VL040, VL751-VL790, VL796-VL805, VL891-VL940, VN001-VN050, VN171-VN190, VN211-VN290, VN301-VN340, VN371-VN650, VN671-VN675, VN681-VN730, VN791-VN810, VN921-VN960, VN966-VN967, VN971-VN990, VR421-VR421, VR461-VR461 VR471-VR471, VS051-VS052, VS061-VS061, VS066-VS070, VS091-VS094, VS176-VS177, VS196-VS199, VS206-VS207, VS261-VS262 |
| 105 | 22 | PA | D01872 | 21 | | 21-58-11 | GDX0002 | D.. | 2 | R2 | 2 | | VL806-VL810, VL871-VL880, VN968-VN970, VS073-VS073, VS131-VS132, VS266-VS268 |
| 106R | 22 | PH | D05766J | 20 | | 26-18-22 | D01876 | 57 | | R2 | 3 | | VK012-VK020, VK055-VK080, VK131-VK140, VK161-VK190, VL001-VL040, VL751-VL790, VL796-VL805, VL891-VL940, VN001-VN050, VN171-VN190, VN211-VN290, VN301-VN340, VN371-VN650, VN671-VN675, VN681-VN730, VN791-VN810, VN921-VN960, VN966-VN967, VN971-VN990, VR421-VR421 VR461-VR461, VS051-VS052, VS061-VS061, VS066-VS070, VS091-VS094, VS176-VS177, VS196-VS199, VS206-VS207, VS261-VS262 |
| 106R | 22 | PH | D05766J | 20 | | 26-18-22 | D01876 | 57 | | R2 | 2 | | VL806-VL810, VN968-VN970, VS073-VS073, VS131-VS132, VS266-VS268 |
| 107 | 24 | PK | D01872 | 14 | | 21-58-11 | D05644J | 28 | | R2 | 3 | | VK001-VK080, VK131-VK140, VK161-VK190, VL001-VL040, VL751-VL790, VL796-VL805, VL891-VL940, VN001-VN050, VN171-VN190, VN211-VN290, VN301-VN340, VN371-VN650, VN671-VN675, VN681-VN730, VN791-VN810, VN921-VN960, VN966-VN967, VN971-VN990, VR421-VR421, VR461-VR461 VR471-VR471, VS051-VS052, VS061-VS061, VS066-VS070, VS091-VS094, VS176-VS177, VS196-VS199, VS206-VS207, VS261-VS262 |
| 107 | 24 | PK | D01872 | 14 | | 21-58-11 | D05644J | 28 | | R2 | 1 | | VL806-VL810, VL871-VL880, VN968-VN970, VS073-VS073, VS131-VS132, VS266-VS268 |
| 108R | 22 | PH | D05766J | 5 | | 26-18-22 | D01876 | 6 | | R2 | 3 | | VK012-VK020, VK181-VK190, VN251-VN290, VR461-VR461, VS066-VS070 |

286T1080-300
Wire Bundle Assembly
Figure 114 (Sheet 36)

25-71-01

| WIRE | | FROM EQUIPMENT | | | TO EQUIPMENT | | | WIRE INFO | | |
|--------|--------|----------------|---------|----------|--------------|---------|---------|-----------|-------|--|
| NUMBER | CA TYP | NUMBER | TERM TT | WDM REF | NUMBER | TERM TT | EMC/SEP | FT | NOTES | EFFECTIVITY |
| 108R | 22 PH | SP03260 | | 26-18-22 | D01876 | 6 | R2 | 3 | | VK055-VK080, VK131-VK140, VK161-VK180, VL001-VL040, VL751-VL790, VL796-VL810, VL891-VL940, VN001-VN050, VN171-VN190, VN211-VN250, VN301-VN340, VN371-VN650, VN671-VN675, VN681-VN730, VN791-VN810, VN921-VN960, VN966-VN967, VN971-VN990, VR421-VR421, VR471-VR471 VS051-VS052, VS061-VS061, VS091-VS094, VS176-VS177, VS196-VS199, VS206-VS207, VS261-VS262 |
| 108R | 22 PH | SP03260 | S | 26-18-22 | D01876 | 6 | R2 | 1 | | VN968-VN970, VS131-VS132 |
| 108R | 22 PH | D05766J | 5 | 26-18-22 | D01876 | 6 | R2 | 2 | | VS073-VS073, VS266-VS268 |
| 109 | 22 PA | D01872 | 17 | 21-58-11 | TB0158F | A011 | R2 | 3 | | VK001-VK080, VK131-VK140, VK161-VK190, VL001-VL040, VL751-VL790, VL796-VL805, VL891-VL940, VN001-VN050, VN171-VN190, VN211-VN290, VN301-VN340, VN371-VN650, VN671-VN675, VN681-VN730, VN791-VN810, VN921-VN960, VN966-VN967, VN971-VN990, VR421-VR421, VR461-VR461 VR471-VR471, VS051-VS052, VS061-VS061, VS066-VS070, VS091-VS094, VS176-VS177, VS196-VS199, VS206-VS207, VS261-VS262 |
| 109 | 22 PA | D01872 | 17 | 21-58-11 | TB0158F | A011 | R2 | 2 | | VL806-VL810, VL871-VL880, VN968-VN970, VS073-VS073, VS131-VS132, VS266-VS268 |
| 111 | 22 PA | TB0182Y | A002 | 21-58-11 | D05644J | 24 | R2 | 3 | | VK001-VK054, VK131-VK140, VK161-VK170, VK181-VK190, VL001-VL040, VL751-VL790, VL796-VL805, VL911-VL940, VN001-VN050, VN171-VN190, VN211-VN290, VN301-VN340, VN371-VN650, VN671-VN675, VN681-VN730, VN791-VN810, VN921-VN960, VN966-VN967, VN971-VN990, VR461-VR461 VS051-VS052, VS061-VS061, VS066-VS070, VS091-VS094, VS176-VS177, VS196-VS199, VS206-VS207, VS261-VS262 |
| 111 | 22 PA | TB0182Y | A002 | 21-58-11 | D05644J | 24 | R2 | 3 | | VK055-VK080, VK171-VK180, VR421-VR421, VR471-VR471 |
| 111 | 22 PA | TB0182Y | A002 | 21-58-11 | D05644J | 24 | R2 | 2 | | VL806-VL810, VL871-VL880, VN968-VN970, VS073-VS073, VS131-VS132, VS266-VS268 |
| 111 | 22 PA | TB0182Y | A002 | 21-58-11 | D05644J | 24 | R2 | 3 | | VL891-VL910 |
| 114 | 22 PA | D01876 | 22 | 36-11-52 | SM00002 | | R2 | 3 | | VK001-VK011, VK021-VK054 |

 286T1080-300
 Wire Bundle Assembly
 Figure 114 (Sheet 37)

25-71-01

 TESTING & FAULT ISOLATION
 01 Page 138T
 Nov 01/02



BOEING
COMPONENT
MAINTENANCE MANUAL

| WIRES | | FROM EQUIPMENT | | | TO EQUIPMENT | | | WIRE INFO | | | | | |
|--------|----|----------------|--------|------|--------------|----------|---------|-----------|----|---------|----|-------|---|
| NUMBER | GA | TYP | NUMBER | TERM | TT | WDM REF | NUMBER | TERM | TT | EMC/SEP | FT | NOTES | EFFECTIVITY |
| 114 | 22 | PA | D01876 | 60 | | 36-11-52 | SM00002 | | W | R2 | 3 | | VK012-VK020, VK055-VK080, VK131-VK140, VK161-VL190, VL001-VL040, VL751-VL790, VL796-VL805, VL891-VL940, VN001-VN050, VN171-VN190, VN211-VN290, VN301-VN340, VN371-VN650, VN671-VN675, VN681-VN730, VN791-VN810, VN921-VN960, VN966-VN967, VN971-VN990, VR421-VR421 VR461-VR461, VR471-VR471, VS051-VS052, VS061-VS061, VS066-VS070, VS091-VS094, VS176-VS177, VS196-VS199, VS206-VS207, VS261-VS262 |
| 114 | 22 | PA | D01876 | 60 | | 36-11-52 | SM00002 | | W | R2 | 1 | | VL806-VL810, VN968-VN970, VS073-VS073, VS131-VS132, VS266-VS268 |
| 116 | 22 | PA | D01876 | 41 | | 36-11-52 | D05766J | 14 | R2 | R2 | 3 | | VK001-VK011, VK021-VK054 |
| 116 | 22 | PA | D01876 | 40 | | 36-11-52 | D05766J | 14 | R2 | R2 | 3 | | VK012-VK020, VK055-VK080, VK131-VK140, VK161-VL190, VL001-VL040, VL751-VL790, VL796-VL805, VL891-VL940, VN001-VN050, VN171-VN190, VN211-VN290, VN301-VN340, VN371-VN650, VN671-VN675, VN681-VN730, VN791-VN810, VN921-VN960, VN966-VN967, VN971-VN990, VR421-VR421 VR461-VR461, VR471-VR471, VS051-VS052, VS061-VS061, VS066-VS070, VS091-VS094, VS176-VS177, VS196-VS199, VS206-VS207, VS261-VS262 |
| 116 | 22 | PA | D01876 | 40 | | 36-11-52 | D05766J | 14 | R2 | R2 | 2 | | VL806-VL810, VN968-VN970, VS073-VS073, VS131-VS132, VS266-VS268 |
| 119 | 24 | PK | D01876 | 39 | | 36-11-52 | SM00001 | | W | R2 | 3 | | VK001-VK011, VK021-VK054 |
| 119 | 24 | PK | D01876 | 55 | | 36-11-52 | SM00001 | | W | R2 | 3 | | VK012-VK020, VK055-VK080, VK131-VK140, VK161-VL190, VL001-VL040, VL751-VL790, VL796-VL805, VL891-VL940, VN001-VN050, VN171-VN190, VN211-VN290, VN301-VN340, VN371-VN650, VN671-VN675, VN681-VN730, VN791-VN810, VN921-VN960, VN966-VN967, VN971-VN990, VR421-VR421 VR461-VR461, VR471-VR471, VS051-VS052, VS061-VS061, VS066-VS070, VS091-VS094, VS176-VS177, VS196-VS199, VS206-VS207, VS261-VS262 |
| 119 | 24 | PK | D01876 | 55 | | 36-11-52 | SM00001 | | W | R2 | 1 | | VL806-VL810, VN968-VN970, VS073-VS073, VS131-VS132, VS266-VS268 |

286T1080-300
Wire Bundle Assembly
Figure 114 (Sheet 38)

25-71-01

| WIRE | | FROM EQUIPMENT | | | TO EQUIPMENT | | | WIRE INFO | | | |
|--------|--------|----------------|---------|----------|--------------|---------|---------|-----------|-------|---|--|
| NUMBER | GA TYP | NUMBER | TERM TT | WDM REF | NUMBER | TERM TT | EMC/SEP | FT | NOTES | EFFECTIVITY | |
| 120 | 24 PK | D01876 | 5 | 36-11-52 | TB0248X | A011 BJ | R2 | 4 | | VK001-VK080, VK131-VK140, VK161-VK190, VL001-VL040, VL751-VL790, VL796-VL805, VL891-VL940, VN001-VN050, VN171-VN190, VN211-VN290, VN301-VN340, VN371-VN650, VN671-VN675, VN681-VN730, VN791-VN810, VN921-VN960, VN966-VN967, VN971-VN990, VR421-VR461, VR461 VR471-VR471, VS051-VS052, VS061-VS061, VS066-VS070, VS091-VS094, VS176-VS177, VS196-VS199, VS206-VS207, VS261-VS262 | |
| 120 | 24 PK | D01876 | 5 | 36-11-52 | TB0248X | A011 BJ | R2 | 3 | | VL806-VL810, VN968-VN970, VS073-VS073, VS131-VS132, VS266-VS266 | |
| 121 | 24 PK | D01876 | 24 | 36-11-52 | D05644J | 35 | R2 | 3 | | VK001-VK011, VK021-VK054 | |
| 121 | 24 PK | D01876 | 20 | 36-11-52 | D05644J | 35 | R2 | 3 | | VK012-VK020, VK055-VK080, VK131-VK140, VK161-VK190, VL001-VL040, VL751-VL790, VL796-VL805, VL891-VL940, VN001-VN050, VN171-VN190, VN211-VN290, VN301-VN340, VN371-VN650, VN671-VN675, VN681-VN730, VN791-VN810, VN921-VN960, VN966-VN967, VN971-VN990, VR421-VR421 VR461-VR461, VR471-VR471, VS051-VS052, VS061-VS061, VS066-VS070, VS091-VS094, VS176-VS177, VS196-VS199, VS206-VS207, VS261-VS262 | |
| 121 | 24 PK | D01876 | 20 | 36-11-52 | D05644J | 35 | R2 | 2 | | VL806-VL810, VN968-VN970, VS073-VS073, VS131-VS132, VS266-VS266 | |
| 122 | 22 PA | D01876 | 7 | 36-11-52 | D05644J | 36 | R2 | 3 | | VK001-VK011, VK021-VK054 | |
| 122 | 22 PA | D01876 | 35 | 36-11-52 | D05644J | 36 | R2 | 3 | | VK012-VK020, VK055-VK080, VK131-VK140, VK161-VK190, VL001-VL040, VL751-VL790, VL796-VL805, VL891-VL940, VN001-VN050, VN171-VN190, VN211-VN290, VN301-VN340, VN371-VN650, VN671-VN675, VN681-VN730, VN791-VN810, VN921-VN960, VN966-VN967, VN971-VN990, VR421-VR421 VR461-VR461, VR471-VR471, VS051-VS052, VS061-VS061, VS066-VS070, VS091-VS094, VS176-VS177, VS196-VS199, VS206-VS207, VS261-VS262 | |
| 122 | 22 PA | D01876 | 35 | 36-11-52 | D05644J | 36 | R2 | 2 | | VL806-VL810, VN968-VN970, VS073-VS073, VS131-VS132, VS266-VS266 | |
| 123 | 24 PK | D01876 | 38 | 36-11-52 | TB0158Y | A007 BJ | R2 | 4 | | VK001-VK011, VK021-VK054 | |

 286T1080-300
 Wire Bundle Assembly
 Figure 114 (Sheet 39)

25-71-01

 TESTING & FAULT ISOLATION
 01 Page 138V
 Nov 01/02



COMPONENT
MAINTENANCE MANUAL

| WIRE | | | FROM EQUIPMENT | | | TO EQUIPMENT | | | WIRE INFO | | | | |
|--------|----|-----|----------------|------|----|--------------|---------|------|-----------|-------------|----|-------|---|
| NUMBER | GA | TYP | NUMBER | TERM | TT | WDM REF | NUMBER | TERM | TT | EMC/ SEP | FT | NOTES | EFFECTIVITY |
| 123 | 24 | PK | D01876 | 53 | | 36-11-52 | TB0158Y | A007 | BJ | R2 | 4 | | VK012-VK020, VK055-VK080, VK131-VK140, VK161-VK190, VL001-VL040, VL751-VL790, VL796-VL805, VL891-VL940, VN001-VN050, VN171-VN190, VN211-VN290, VN301-VN340, VN371-VN650, VN671-VN675, VN681-VN730, VN791-VN810, VN921-VN960, VN966-VN967, VN971-VN990, VR421-VR421 VR461-VR461, VR471-VR471, VS051-VS052, VS061-VS061, VS066-VS070, VS091-VS094, VS176-VS177, VS196-VS199, VS206-VS207, VS261-VS262 |
| 123 | 24 | PK | D01876 | 53 | | 36-11-52 | TB0158Y | A007 | BJ | R2 | 3 | | VL806-VL810, VN968-VN970, VS073-VS073, VS131-VS132, VS266-VS268 |
| 124 | 24 | PK | D05552J | 3 | | 21-25-21 | D01874 | 25 | | R2 | 4 | | VK001-VK080, VK131-VK140, VK161-VK190, VL001-VL040, VL751-VL790, VL796-VL805, VL891-VL940, VN001-VN050, VN171-VN190, VN211-VN290, VN301-VN340, VN371-VN650, VN671-VN675, VN681-VN730, VN791-VN810, VN921-VN960, VN966-VN967, VN971-VN990, VR421-VR421, VR461-VR461, VR471-VR471, VS051-VS052, VS061-VS061, VS066-VS070, VS091-VS094, VS176-VS177, VS196-VS199, VS206-VS207, VS261-VS262 |
| 124 | 24 | PK | D05552J | 3 | | 21-25-21 | D01874 | 25 | | R2 | 2 | | VL806-VL810, VL871-VL880, VN968-VN970, VS073-VS073, VS131-VS132, VS266-VS268 |
| 125 | 22 | PA | D01876 | 11 | | 36-11-52 | SM00004 | | W | R2 | 3 | | VK001-VK011, VK021-VK054 |
| 126 | 24 | PK | D01876 | 4 | | 36-11-52 | D05644J | 37 | | R2 | 3 | | VK001-VK011, VK021-VK054 |
| 126 | 24 | PK | D01876 | 52 | | 36-11-52 | D05644J | 37 | | R2 | 3 | | VK012-VK020, VK055-VK080, VK131-VK140, VK161-VK190, VL001-VL040, VL751-VL790, VL796-VL805, VL891-VL940, VN001-VN050, VN171-VN190, VN211-VN290, VN301-VN340, VN371-VN650, VN671-VN675, VN681-VN730, VN791-VN810, VN921-VN960, VN966-VN967, VN971-VN990, VR421-VR421 VR461-VR461, VR471-VR471, VS051-VS052, VS061-VS061, VS066-VS070, VS091-VS094, VS176-VS177, VS196-VS199, VS206-VS207, VS261-VS262 |
| 126 | 24 | PK | D01876 | 52 | | 36-11-52 | D05644J | 37 | | R2 | 2 | | VL806-VL810, VN968-VN970, VS073-VS073, VS131-VS132, VS266-VS268 |
| 127 | 22 | PA | D01876 | 16 | | 36-11-52 | SM00003 | | W | R2 | 3 | | VK001-VK011, VK021-VK054 |
| 128 | 24 | PK | D01876 | 17 | | 36-11-52 | TB0248X | B011 | BJ | R2 | 4 | | VK001-VK011, VK021-VK054 |

286T1080-300
Wire Bundle Assembly
Figure 114 (Sheet 40)

25-71-01

| WIRE | | | FROM EQUIPMENT | | | TO EQUIPMENT | | | WIRE INFO | | | | |
|--------|----|-----|----------------|------|----|--------------|---------|------|-----------|-------------|----|-------|---|
| NUMBER | GA | TYP | NUMBER | TERM | TT | WDM REF | NUMBER | TERM | TT | EMC/ SEP | FT | NOTES | EFFECTIVITY |
| 128 | 24 | PK | D01876 | 37 | | 36-11-62 | TB0248X | B011 | BJ | R2 | 4 | | VK012-VK020, VK055-VK080, VK131-VK140, VK161-VK190, VL001-VL040, VL751-VL790, VL796-VL805, VL891-VL940, VN001-VN050, VN171-VN190, VN211-VN290, VN301-VN340, VN371-VN650, VN671-VN675, VN681-VN730, VN791-VN810, VN921-VN960, VN966-VN967, VN971-VN990, VR421-VR421 VR461-VR461, VR471-VR471, VS051-VS052, VS061-VS061, VS066-VS070, VS091-VS094, VS176-VS177, VS196-VS199, VS206-VS207, VS261-VS262 |
| 128 | 24 | PK | D01876 | 37 | | 36-11-62 | TB0248X | B011 | BJ | R2 | 3 | | VL806-VL810, VN968-VN970, VS073-VS073, VS131-VS132, VS266-VS266 |
| 129 | 22 | PA | D01876 | 2 | | 36-22-11 | D05644J | 38 | | R2 | 3 | | VK001-VK080, VK131-VK140, VK161-VK190, VL001-VL040, VL751-VL790, VL796-VL805, VL891-VL940, VN001-VN050, VN171-VN190, VN211-VN290, VN301-VN340, VN371-VN650, VN671-VN675, VN681-VN730, VN791-VN810, VN921-VN960, VN966-VN967, VN971-VN990, VR421-VR421, VR461-VR461 VR471-VR471, VS051-VS052, VS061-VS061, VS066-VS070, VS091-VS094, VS176-VS177, VS196-VS199, VS206-VS207, VS261-VS262 |
| 129 | 22 | PA | D01876 | 2 | | 36-22-11 | D05644J | 38 | | R2 | 2 | | VL806-VL810, VN968-VN970, VS073-VS073, VS131-VS132, VS266-VS266 |
| 130 | 24 | PK | D01876 | 3 | | 36-11-62 | D05766J | 7 | | R2 | 3 | | VK001-VK011, VK021-VK054 |
| 130 | 24 | PK | D01876 | 1 | | 36-11-62 | D05766J | 7 | | R2 | 3 | | VK012-VK020, VK055-VK080, VK131-VK140, VK161-VK190, VL001-VL040, VL751-VL790, VL796-VL805, VL891-VL940, VN001-VN050, VN171-VN190, VN211-VN290, VN301-VN340, VN371-VN650, VN671-VN675, VN681-VN730, VN791-VN810, VN921-VN960, VN966-VN967, VN971-VN990, VR421-VR421 VR461-VR461, VR471-VR471, VS051-VS052, VS061-VS061, VS066-VS070, VS091-VS094, VS176-VS177, VS196-VS199, VS206-VS207, VS261-VS262 |
| 130 | 24 | PK | D01876 | 1 | | 36-11-62 | D05766J | 7 | | R2 | 2 | | VL806-VL810, VN968-VN970, VS073-VS073, VS131-VS132, VS266-VS266 |
| 131 | 22 | PA | SM00005 | | W | 36-11-62 | D05766J | 10 | | R2 | 3 | | VK001-VK011, VK021-VK054 |

286T1080-300
Wire Bundle Assembly
Figure 114 (Sheet 41)

25-71-01



BOEING
COMPONENT
MAINTENANCE MANUAL

| WIRE | | FROM EQUIPMENT | | | TO EQUIPMENT | | | WIRE INFO | | | | | |
|--------|----|----------------|---------|------|--------------|----------|---------|-----------|----|---------|----|-------|--|
| NUMBER | GA | TYP | NUMBER | TERM | TT | WDM REF | NUMBER | TERM | TT | EMC/SEP | FT | NOTES | EFFECTIVITY |
| 131 | 22 | PA | D01876 | 56 | | 36-11-62 | D05766J | 10 | | R2 | 3 | | VK012-VK020, VK055-VK080, VK131-VK140, VK161-VK190, VL001-VL040, VL751-VL790, VL796-VL805, VL891-VL930, VN001-VN050, VN171-VN190, VN211-VN220, VN231-VN290, VN301-VN340, VN371-VN490, VN531-VN650, VN791-VN810, VN921-VN930, VN951-VN960, VR421-VR461, VR461-VR471, VR471-VR471, VS051-VS052, VS061-VS061, VS066-VS070, VS176-VS177, VS196-VS199, VS261-VS262 |
| 131 | 22 | PA | D01876 | 56 | | 36-11-62 | D05766J | 10 | | R2 | 2 | | VL806-VL810, VS073-VS073, VS266-VS268 |
| 131 | 22 | PA | D01876 | 56 | | 36-11-62 | D05766J | 10 | | R2 | 3 | | VL931-VL940, VN221-VN230, VN491-VN530, VN671-VN675, VN681-VN730, VN931-VN950, VN966-VN967, VN971-VN990, VS091-VS094, VS206-VS207 |
| 131 | 22 | PA | D01876 | 56 | | 36-11-62 | D05766J | 10 | | R2 | 2 | | VN968-VN970, VS131-VS132 |
| 132 | 22 | PA | D05644J | 29 | | 36-22-11 | TB0248Y | C009 | BJ | R2 | 3 | | VK001-VK054, VK131-VK140, VK161-VK170, VK181-VK190, VL001-VL040, VL751-VL790, VL796-VL805, VL911-VL940, VN001-VN050, VN171-VN190, VN211-VN290, VN301-VN340, VN371-VN650, VN671-VN675, VN681-VN730, VN791-VN810, VN921-VN960, VN966-VN967, VN971-VN990, VR461-VR461, VS051-VS052, VS061-VS061, VS066-VS070, VS091-VS094, VS176-VS177, VS196-VS199, VS206-VS207, VS261-VS262 |
| 132 | 22 | PA | D05644J | 29 | | 36-22-11 | TB0248Y | C009 | BJ | R2 | 3 | | VK055-VK080, VK171-VK180, VR421-VR421, VR471-VR471 |
| 132 | 22 | PA | D05644J | 29 | | 36-22-11 | TB0248Y | C009 | BJ | R2 | 2 | | VL806-VL810, VN968-VN970, VS073-VS073, VS131-VS132, VS266-VS268 |
| 132 | 22 | PA | D05644J | 29 | | 36-22-11 | TB0248Y | C009 | BJ | R2 | 3 | | VL891-VL910 |
| 135 | 22 | PA | SM00006 | | W | 36-11-62 | D05766J | 8 | | R2 | 3 | | VK001-VK011, VK021-VK054 |
| 135 | 22 | PA | D01876 | 31 | | 36-11-62 | D05766J | 8 | | R2 | 3 | | VK012-VK020, VK055-VK080, VK131-VK140, VK161-VK190, VL001-VL040, VL751-VL790, VL796-VL805, VL891-VL930, VN001-VN050, VN171-VN190, VN211-VN220, VN231-VN290, VN301-VN340, VN371-VN490, VN531-VN650, VN791-VN810, VN921-VN930, VN951-VN960, VR421-VR421, VR461-VR461, VR471-VR471, VS051-VS052, VS061-VS061, VS066-VS070, VS176-VS177, VS196-VS199, VS261-VS262 |
| 135 | 22 | PA | D01876 | 31 | | 36-11-62 | D05766J | 8 | | R2 | 2 | | VL806-VL810, VS073-VS073, VS266-VS268 |

286T1080-300
Wire Bundle Assembly
Figure 114 (Sheet 42)

25-71-01

| WIRE | | FROM EQUIPMENT | | | TO EQUIPMENT | | | WIRE INFO | | | | | |
|--------|----|----------------|--------|------|--------------|----------|---------|-----------|----|---------|----|-------|---|
| NUMBER | GA | TYP | NUMBER | TERM | TT | WDM REF | NUMBER | TERM | TT | EMC/SEP | FT | NOTES | EFFECTIVITY |
| 135 | 22 | PA | D01876 | 31 | | 36-11-62 | D05766J | 8 | | R2 | 3 | | VL931-VL940, VN221-VN230, VN491-VN530, VN671-VN675, VN681-VN730, VN931-VN950, VN966-VN967, VN971-VN990, VS091-VS094, VS206-VS207 |
| 135 | 22 | PA | D01876 | 31 | | 36-11-62 | D05766J | 8 | | R2 | 2 | | VN968-VN970, VS131-VS132 |
| 136 | 24 | PK | D01876 | 13 | | 36-11-62 | D05766J | 9 | | R2 | 3 | | VK001-VK011, VK021-VK054 |
| 136 | 24 | PK | D01876 | 58 | | 36-11-62 | D05766J | 9 | | R2 | 3 | | VK012-VK020, VK055-VK080, VK131-VK140, VK161-VL190, VL001-VL040, VL751-VL790, VL796-VL805, VL891-VL940, VN001-VN050, VN171-VN190, VN211-VN290, VN301-VN340, VN371-VN650, VN671-VN675, VN681-VN730, VN791-VN810, VN921-VN960, VN966-VN967, VN971-VN990, VR421-VR421 VR451-VR461, VR471-VR471, VS051-VS052, VS061-VS061, VS066-VS070, VS091-VS094, VS176-VS177, VS196-VS199, VS206-VS207, VS261-VS262 |
| 136 | 24 | PK | D01876 | 58 | | 36-11-62 | D05766J | 9 | | R2 | 2 | | VL806-VL810, VN968-VN970, VS073-VS073, VS131-VS132, VS266-VS268 |
| 137 | 24 | PK | D01876 | 34 | | 36-11-62 | D05766J | 11 | | R2 | 3 | | VK001-VK011, VK021-VK054 |
| 137 | 24 | PK | D01876 | 28 | | 36-11-62 | D05766J | 11 | | R2 | 3 | | VK012-VK020, VK055-VK080, VK131-VK140, VK161-VL190, VL001-VL040, VL751-VL790, VL796-VL805, VL891-VL940, VN001-VN050, VN171-VN190, VN211-VN290, VN301-VN340, VN371-VN650, VN671-VN675, VN681-VN730, VN791-VN810, VN921-VN960, VN966-VN967, VN971-VN990, VR421-VR421 VR451-VR461, VR471-VR471, VS051-VS052, VS061-VS061, VS066-VS070, VS091-VS094, VS176-VS177, VS196-VS199, VS206-VS207, VS261-VS262 |
| 137 | 24 | PK | D01876 | 28 | | 36-11-62 | D05766J | 11 | | R2 | 2 | | VL806-VL810, VN968-VN970, VS073-VS073, VS131-VS132, VS266-VS268 |
| 138 | 24 | PV | D02162 | 40 | | 73-21-12 | D05552J | 56 | | R2 | 3 | | VK055-VK080, VK171-VK180, VL931-VL940, VN221-VN230, VN491-VN530, VN671-VN675, VN681-VN730, VN931-VN950, VN966-VN967, VN971-VN990, VR421-VR421, VR471-VR471, VS091-VS094, VS206-VS207 |
| 138 | 24 | PV | D02162 | 40 | | 73-21-12 | D05552J | 56 | | R2 | 3 | | VK161-VK170, VL011-VL040, VL796-VL805, VN171-VN190, VN211-VN220, VN241-VN290, VN371-VN420, VN531-VN545, VN551-VN633, VS061-VS061, VS066-VS070 |
| 138 | 24 | PV | D02162 | 40 | | 73-21-12 | D05552J | 56 | | R2 | 2 | | VL806-VL810 |

 286T1080-300
 Wire Bundle Assembly
 Figure 114 (Sheet 43)

25-71-01

 TESTING & FAULT ISOLATION
 01 Page 138Z
 Nov 01/02



COMPONENT
MAINTENANCE MANUAL

| WIRE | | FROM EQUIPMENT | | | TO EQUIPMENT | | | WIRE INFO | | | | | |
|--------|----|----------------|---------|------|--------------|----------|---------|-----------|----|-------------|----|-------|---|
| NUMBER | GA | TYP | NUMBER | TERM | TT | WDM REF | NUMBER | TERM | TT | EMC/ SEP | FT | NOTES | EFFECTIVITY |
| 138F | 20 | UA | D02162 | | | 73-21-12 | GDX0002 | S.. | 2 | R2 | 4 | | VK161-VK170, VL011-VL040, VN171-VN190, VN211-VN220, VN241-VN290, VN371-VN420, VN531-VN545, VN551-VN633, VS061-VS061, VS066-VS070 |
| 138F | 20 | UA | D02162 | | | 73-21-12 | GDX0002 | S.. | 2 | R2 | 4 | | VN221-VN222 |
| 138F | 20 | UA | D02162 | | | 73-21-12 | GDX0002 | S.. | 2 | R2 | 4 | | VN491-VN530, VS091-VS094 |
| 138Z | | | D02162 | | | 73-21-12 | D05552J | 57 | | R2 | | | VK055-VK080, VK171-VK180, VL931-VL940, VN223-VN230, VN671-VN675, VN681-VN730, VN931-VN950, VN966-VN967, VN971-VN990, VR421-VR421, VR471-VR471, VS206-VS207 |
| 138Z | | | D02162 | | | 73-21-12 | D05552J | | | R2 | | | VK161-VK170, VL011-VL040, VN171-VN190, VN211-VN220, VN241-VN290, VN371-VN420, VN491-VN545, VN551-VN633, VS061-VS061, VS066-VS070, VS091-VS094 |
| 139 | 24 | PK | TB0158Y | A007 | BJ | 36-11-52 | D05766J | 1 | | R2 | 3 | | VL796-VL810 VN221-VN222 |
| 139 | 24 | PK | TB0158Y | A007 | BJ | 36-11-52 | D05766J | 1 | | R2 | 2 | | VK001-VK080, VK131-VK140, VK161-VK190, VL001-VL040, VL751-VL790, VL796-VL805, VL891-VL940, VN001-VN050, VN171-VN190, VN211-VN290, VN301-VN340, VN371-VN650, VN671-VN675, VN681-VN730, VN791-VN810, VN921-VN960, VN966-VN967, VN971-VN990, VR421-VR421, VR461-VR461, VR471-VR471, VS051-VS052, VS061-VS061, VS066-VS070, VS091-VS094, VS176-VS177, VS196-VS199, VS206-VS207, VS261-VS262 |
| 140 | 24 | PK | TB0158Y | A007 | BJ | 36-11-52 | D05766J | 4 | | R2 | 3 | | VL806-VL810, VN968-VN970, VS073-VS073, VS131-VS132, VS266-VS268 |
| 140 | 24 | PK | TB0158Y | A007 | BJ | 36-11-52 | D05766J | 4 | | R2 | 2 | | VK001-VK080, VK131-VK140, VK161-VK190, VL001-VL040, VL751-VL790, VL796-VL805, VL891-VL940, VN001-VN050, VN171-VN190, VN211-VN290, VN301-VN340, VN371-VN650, VN671-VN675, VN681-VN730, VN791-VN810, VN921-VN960, VN966-VN967, VN971-VN990, VR421-VR421, VR461-VR461, VR471-VR471, VS051-VS052, VS061-VS061, VS066-VS070, VS091-VS094, VS176-VS177, VS196-VS199, VS206-VS207, VS261-VS262 |
| 140 | 24 | PK | TB0158Y | A007 | BJ | 36-11-52 | D05766J | 4 | | R2 | 2 | | VL806-VL810, VN968-VN970, VS073-VS073, VS131-VS132, VS266-VS268 |

286T1080-300
Wire Bundle Assembly
Figure 114 (Sheet 44)

25-71-01

| WIRE | | FROM EQUIPMENT | | | TO EQUIPMENT | | | WIRE INFO | | | |
|--------|----|----------------|---------|---------|--------------|---------|---------|-----------|----|-------|--|
| NUMBER | GA | TYP | NUMBER | TERM TT | WDM REF | NUMBER | TERM TT | EMC/SEP | FT | NOTES | EFFECTIVITY |
| 141 | 22 | PA | D01876 | 33 | 36-11-62 | D05766J | 6 | R2 | 3 | | VK001-VK011, VK021-VK054 |
| 141 | 22 | PA | SM00007 | W | 36-11-62 | D05766J | 6 | R2 | 2 | | VK012-VK020, VK131-VK140, VK161-VK170, VK181-VK190, VL001-VL040, VL751-VL790, VL796-VL805, VL891-VL930, VN001-VN050, VN171-VN190, VN211-VN220, VN231-VN290, VN301-VN340, VN371-VN490, VN531-VN650, VN791-VN810, VN921-VN930, VN951-VN960, VR461-VR461, VS051-VS052, VS061-VS061, VS066-VS070, VS176-VS177, VS196-VS199, VS261-VS262 |
| 141 | 22 | PA | SM00007 | W | 36-11-62 | D05766J | 6 | R2 | 3 | | VK055-VK080, VK171-VK180, VR421-VR421, VR471-VR471 |
| 141 | 22 | PA | SM00007 | W | 36-11-62 | D05766J | 6 | R2 | 1 | | VL806-VL810, VS073-VS073, VS266-VS268 |
| 141 | 22 | PA | SM00007 | W | 36-11-62 | D05766J | 6 | R2 | 2 | | VL931-VL940, VN221-VN230, VN491-VN530, VN671-VN675, VN681-VN730, VN931-VN950, VN966-VN967, VN971-VN990, VS091-VS094, VS206-VS207 |
| 141 | 22 | PA | SM00007 | W | 36-11-62 | D05766J | 6 | R2 | 1 | | VN968-VN970, VS131-VS132 |
| 143 | 24 | FK | TB0158G | 4 | 21-51-21 | D05552J | 9 | R2 | 3 | | VK001-VK009, VK021-VK022, VK031-VK045, VL001-VL006, VL011-VL011, VN001-VN015, VN171-VN173, VN211-VN212, VN221-VN222, VN231-VN232, VN241-VN241 |
| 143 | 24 | FK | TB0158Y | C004 | 21-51-21 | D05552J | 9 | R2 | 3 | | VK010-VK020, VK023-VK030, VK046-VK054, VK131-VK140, VK161-VK170, VK181-VK190, VL007-VL010, VL012-VL040, VL751-VL790, VL796-VL805, VL911-VL940, VN016-VN050, VN174-VN190, VN213-VN220, VN223-VN230, VN233-VN240, VN242-VN290, VN301-VN340, VN371-VN650, VN671-VN675, VN681-VN730, VN791-VN810, VN921-VN960, VN966-VN967, VN971-VN990, VR461-VR461, VS051-VS052, VS061-VS061, VS066-VS070, VS091-VS094, VS176-VS177, VS196-VS199, VS206-VS207, VS261-VS262 |
| 143 | 24 | FK | TB0158Y | C004 | 21-51-21 | D05552J | 9 | R2 | 3 | | VK055-VK080, VK171-VK180, VR421-VR421, VR471-VR471 |
| 143 | 24 | FK | TB0158Y | C004 | 21-51-21 | D05552J | 9 | R2 | 2 | | VL806-VL810, VL871-VL880, VN968-VN970, VS073-VS073, VS131-VS132, VS266-VS268 |
| 143 | 24 | FK | TB0158Y | C004 | 21-51-21 | D05552J | 9 | R2 | 3 | | VL891-VL910 |

286T1080-300
Wire Bundle Assembly
Figure 114 (Sheet 45)

25-71-01



BOEING
COMPONENT
MAINTENANCE MANUAL

| WIRE | | | FROM EQUIPMENT | | | TO EQUIPMENT | | | WIRE INFO | | | |
|--------|----|-----|----------------|------|----|--------------|------|----|-------------|----|-------|---|
| NUMBER | GA | TYP | NUMBER | TERM | TT | NUMBER | TERM | TT | EMC/ SEP | FT | NOTES | EFFECTIVITY |
| 144 | 24 | PK | D05766J | 21 | | D01876 | 47 | | R2 | 3 | | VK012-VK020, VK131-VK140, VK181-VK190, VL001-VL010, VL751-VL790, VL891-VL930, VN001-VN050, VN231-VN240, VN301-VN340, VN471-VN490, VN791-VN810, VN921-VN930, VN951-VN960, VR461-VR461, VS051-VS052, VS196-VS199, VS261-VS262 |
| 144 | 24 | PK | D01876 | 47 | | D05766J | 21 | | R2 | 3 | | VK055-VK080, VK171-VK180, VL931-VL940, VN221-VN230, VN491-VN530, VN671-VN675, VN681-VN730, VN931-VN950, VN966-VN967, VN971-VN990, VR421-VR421, VR471-VR471, VS091-VS094, VS206-VS207 |
| 144 | 24 | PK | D05766J | 21 | | D01876 | 47 | | R2 | 3 | | VK161-VK170, VL011-VL040, VL796-VL805, VN171-VN190, VN211-VN220, VN241-VN290, VN371-VN470, VN531-VN650, VS061-VS061, VS066-VS070, VS176-VS177 |
| 144 | 24 | PK | D05766J | 21 | | D01876 | 47 | | R2 | 2 | | VL806-VL810, VS073-VS073, VS266-VS268 |
| 144 | 24 | PK | D01876 | 47 | | D05766J | 21 | | R2 | 2 | | VN968-VN970, VS131-VS132 |
| 145 | 24 | PK | D05766J | 22 | | D01876 | 18 | | R2 | 3 | | VK012-VK020, VK131-VK140, VK181-VK190, VL001-VL010, VL751-VL790, VL891-VL930, VN001-VN050, VN231-VN240, VN301-VN340, VN471-VN490, VN791-VN810, VN921-VN930, VN951-VN960, VR461-VR461, VS051-VS052, VS196-VS199, VS261-VS262 |
| 145 | 24 | PK | D01876 | 18 | | D05766J | 22 | | R2 | 3 | | VK055-VK080, VK171-VK180, VL931-VL940, VN221-VN230, VN491-VN530, VN671-VN675, VN681-VN730, VN931-VN950, VN966-VN967, VN971-VN990, VR421-VR421, VR471-VR471, VS091-VS094, VS206-VS207 |
| 145 | 24 | PK | D05766J | 22 | | D01876 | 18 | | R2 | 3 | | VK161-VK170, VL011-VL040, VL796-VL805, VN171-VN190, VN211-VN220, VN241-VN290, VN371-VN470, VN531-VN650, VS061-VS061, VS066-VS070, VS176-VS177 |
| 145 | 24 | PK | D01876 | 18 | | D05766J | 22 | | R2 | 2 | | VL806-VL810, VS073-VS073, VS266-VS268 |
| 145 | 24 | PK | D01876 | 18 | | D05766J | 22 | | R2 | 2 | | VN968-VN970, VS131-VS132 |

286T1080-300
Wire Bundle Assembly
Figure 114 (Sheet 46)

25-71-01

| WIRE | | FROM EQUIPMENT | | | TO EQUIPMENT | | | WIRE INFO | | | | | |
|--------|----|----------------|--------|------|--------------|----------|---------|-----------|----|-------------|----|-------|--|
| NUMBER | GA | TYP | NUMBER | TERM | TT | WDM REF | NUMBER | TERM | TT | EMC/ SEP | FT | NOTES | EFFECTIVITY |
| 147 | 24 | PK | D02676 | 22 | | 22-12-21 | D04887J | 6 | | R2 | 3 | | VK001-VK080, VK131-VK140, VK161-VK190, VL001-VL040, VL751-VL790, VL796-VL805, VL891-VL940, VN001-VN050, VN171-VN190, VN211-VN290, VN301-VN340, VN371-VN650, VN671-VN675, VN681-VN730, VN791-VN810, VN921-VN960, VN966-VN967, VN971-VN990, VR421-VR461, VR461-VR471-VR471, VS051-VS052, VS061-VS066, VS070, VS091-VS094, VS176-VS177, VS196-VS199, VS206-VS207, VS261-VS262 |
| 147 | 24 | PK | D02676 | 22 | | 22-12-21 | D04887J | 6 | | R2 | 1 | | VL806-VL810, VL871-VL880, VN968-VN970, VS073-VS073, VS131-VS132, VS266-VS268 |
| 148 | 24 | PK | D02676 | 23 | | 22-12-21 | D04887J | 7 | | R2 | 3 | | VK001-VK080, VK131-VK140, VK161-VK190, VL001-VL040, VL751-VL790, VL796-VL805, VL891-VL940, VN001-VN050, VN171-VN190, VN211-VN290, VN301-VN340, VN371-VN650, VN671-VN675, VN681-VN730, VN791-VN810, VN921-VN960, VN966-VN967, VN971-VN990, VR421-VR461, VR461-VR471-VR471, VS051-VS052, VS061-VS066, VS070, VS091-VS094, VS176-VS177, VS196-VS199, VS206-VS207, VS261-VS262 |
| 148 | 24 | PK | D02676 | 23 | | 22-12-21 | D04887J | 7 | | R2 | 1 | | VL806-VL810, VL871-VL880, VN968-VN970, VS073-VS073, VS131-VS132, VS266-VS268 |
| 150 | 22 | PA | D02676 | 8 | | 27-58-21 | GDX0002 | A.. | 2 | R2 | 4 | | VK001-VK080, VK131-VK140, VK161-VK190, VL001-VL040, VL751-VL790, VL796-VL805, VL891-VL940, VN001-VN050, VN171-VN190, VN211-VN290, VN301-VN340, VN371-VN650, VN671-VN675, VN681-VN730, VN791-VN810, VN921-VN960, VN966-VN967, VN971-VN990, VR421-VR461, VR461-VR471-VR471, VS051-VS052, VS061-VS066, VS070, VS091-VS094, VS176-VS177, VS196-VS199, VS206-VS207, VS261-VS262 |
| 150 | 22 | PA | D02676 | 8 | | 27-58-21 | GDX0002 | A.. | 2 | R2 | 2 | | VL806-VL810, VL871-VL880, VN968-VN970, VS073-VS073, VS131-VS132, VS266-VS268 |

286T1080-300
Wire Bundle Assembly
Figure 114 (Sheet 47)

25-71-01



BOEING
COMPONENT
MAINTENANCE MANUAL

| WIRES | | FROM EQUIPMENT | | | TO EQUIPMENT | | | WIRE INFO | | | | | |
|--------|----|----------------|---------|------|--------------|----------|---------|-----------|----|---------|----|-------|---|
| NUMBER | GA | TYP | NUMBER | TERM | TT | WDM REF | NUMBER | TERM | TT | EMC/SEP | FT | NOTES | EFFECTIVITY |
| 152 | 24 | PK | D02676 | 7 | | 27-58-21 | D08032J | 2 | | R2 | 3 | | VK001-VK080, VK131-VK140, VK161-VK190, VL001-VL040, VL751-VL790, VL796-VL805, VL891-VL940, VN001-VN050, VN171-VN190, VN211-VN290, VN301-VN340, VN371-VN650, VN671-VN675, VN681-VN730, VN791-VN810, VN921-VN960, VN966-VN967, VN971-VN990, VR421-VR461, VR461-VR471, VR471, VS051-VS052, VS061-VS066-VS070, VS091-VS094, VS176-VS177, VS196-VS199, VS206-VS207, VS261-VS262 |
| 152 | 24 | PK | D02676 | 7 | | 27-58-21 | D08032J | 2 | | R2 | 2 | | VL806-VL810, VL871-VL880, VN968-VN970, VS073-VS073, VS131-VS132, VS266-VS268 |
| 153 | 24 | PK | TB0248X | D011 | BJ | 21-58-14 | D01874 | 37 | | R2 | 4 | | VK001-VK003 |
| 154 | 22 | PA | D05766J | 23 | | 36-11-62 | D01876 | 27 | | R2 | 3 | | VK012-VK020, VK131-VK140, VK161-VK170, VK181-VK190, VL001-VL040, VL751-VL790, VL796-VL805, VL891-VL930, VN001-VN050, VN171-VN190, VN211-VN220, VN231-VN290, VN301-VN340, VN371-VN490, VN531-VN650, VN791-VN810, VN921-VN930, VN951-VN960, VR461-VR461, VS051-VS052, VS061-VS061, VS066-VS070, VS261-VS262 |
| 154 | 22 | PA | D01876 | 27 | | 36-11-62 | D05766J | 23 | | R2 | 3 | | VK055-VK080, VK171-VK180, VL931-VL940, VN221-VN230, VN491-VN530, VN671-VN675, VN681-VN730, VN931-VN950, VN966-VN967, VN971-VN990, VR421-VR421, VR471-VR471, VS091-VS094, VS206-VS207 |
| 154 | 22 | PA | D05766J | 23 | | 36-11-62 | D01876 | 27 | | R2 | 2 | | VL806-VL810, VS073-VS073, VS266-VS268 |
| 154 | 22 | PA | D01876 | 27 | | 36-11-62 | D05766J | 23 | | R2 | 2 | | VN968-VN970, VS131-VS132 |
| 155 | 24 | PK | D02676 | 38 | | 22-12-21 | D04887J | 8 | | R2 | 3 | | VK001-VK080, VK131-VK140, VK161-VK190, VL001-VL040, VL751-VL790, VL796-VL805, VL891-VL940, VN001-VN050, VN171-VN190, VN211-VN290, VN301-VN340, VN371-VN650, VN671-VN675, VN681-VN730, VN791-VN810, VN921-VN960, VN966-VN967, VN971-VN990, VR421-VR421, VR461-VR461, VR471-VR471, VS051-VS052, VS061-VS061, VS066-VS070, VS091-VS094, VS176-VS177, VS196-VS199, VS206-VS207, VS261-VS262 |
| 155 | 24 | PK | D02676 | 38 | | 22-12-21 | D04887J | 8 | | R2 | 1 | | VL806-VL810, VL871-VL880, VN968-VN970, VS073-VS073, VS131-VS132, VS266-VS268 |

286T1080-300
Wire Bundle Assembly
Figure 114 (Sheet 48)

25-71-01

| WIRE | | | FROM EQUIPMENT | | | TO EQUIPMENT | | | WIRE INFO | | | |
|--------|----|-----|----------------|------|----|--------------|------|----|-------------|----|-------|--|
| NUMBER | GA | TYP | NUMBER | TERM | TT | NUMBER | TERM | TT | EMC/ SEP | FT | NOTES | EFFECTIVITY |
| 156 | 24 | PK | D02676 | 39 | | D04887J | 9 | | R2 | 3 | | VK001-VK080, VK131-VK140, VK161-VK190, VL001-VL040, VL751-VL790, VL796-VL805, VL891-VL940, VN001-VN050, VN171-VN190, VN211-VN290, VN301-VN340, VN371-VN650, VN671-VN675, VN681-VN730, VN791-VN810, VN921-VN960, VN966-VN967, VN971-VN990, VR421-VR461, VR461-VR471-VR471, VS051-VS052, VS061-VS061, VS066-VS070, VS091-VS094, VS176-VS177, VS196-VS199, VS206-VS207, VS261-VS262 |
| 156 | 24 | PK | D02676 | 39 | | D04887J | 9 | | R2 | 1 | | VL806-VL810, VL871-VL880, VN968-VN970, VS073-VS073, VS131-VS132, VS266-VS268 |
| 157 | 24 | PK | D02162 | 23 | | TB0182Y | A003 | BJ | R2 | 4 | | VK001-VK011, VK021-VK030 |
| 157 | 24 | PK | D02162 | 66 | | TB0182Y | A003 | BJ | R2 | 3 | | VK055-VK080, VK171-VK180, VL806-VL810, VL871-VL880, VL931-VL940, VN221-VN230, VN491-VN530, VN671-VN675, VN681-VN730, VN931-VN950, VN966-VN967, VN971-VN990, VR421-VR421, VR471-VR471, VS091-VS094, VS206-VS207 |
| 157 | 24 | PK | D02162 | 66 | | TB0182Y | A003 | BJ | R2 | 4 | | VK161-VK170, VL011-VL040, VL796-VL805, VN171-VN190, VN211-VN220, VN241-VN290, VN371-VN420, VN531-VN545, VN551-VN633, VS061-VS061, VS066-VS070 |
| 158 | 24 | PV | D02162 | 56 | | TB0182X | C012 | BJ | R2 | 4 | | VK001-VK011, VK021-VK030 |
| 158 | 24 | PV | D02162 | 32 | | TB0182X | C012 | BJ | R2 | 3 | | VK055-VK080, VK171-VK180, VL931-VL940, VN221-VN230, VN491-VN530, VN671-VN675, VN681-VN730, VN931-VN950, VN966-VN967, VN971-VN990, VR421-VR421, VR471-VR471, VS091-VS094, VS206-VS207 |
| 158 | 24 | PV | D02162 | 32 | | TB0182X | C012 | BJ | R2 | 3 | | VK161-VK170, VL011-VL040, VL796-VL810, VL871-VL880, VN171-VN190, VN211-VN220, VN241-VN290, VN371-VN420, VN531-VN545, VN551-VN633, VS061-VS061, VS066-VS070 |
| 158Z | | | D02162 | DED | | TB0182X | DED | | R2 | | | VK001-VK011, VK021-VK030, VK055-VK080, VK171-VK180, VL931-VL940, VN221-VN230, VN491-VN530, VN671-VN675, VN681-VN730, VN931-VN950, VN966-VN967, VN971-VN990, VR421-VR421, VR471-VR471, VS091-VS094, VS206-VS207 |

286T1080-300
Wire Bundle Assembly
Figure 114 (Sheet 49)

25-71-01

TESTING & FAULT ISOLATION
01 Page 140D
Nov 01/02



BOEING
COMPONENT
MAINTENANCE MANUAL

| WIRE | | FROM EQUIPMENT | | | TO EQUIPMENT | | | WIRE INFO | | | | | |
|--------|----|----------------|---------|------|--------------|----------|---------|-----------|----|---------|----|-------|--|
| NUMBER | GA | TYP | NUMBER | TERM | TT | WDM REF | NUMBER | TERM | TT | EMC/SEP | FT | NOTES | EFFECTIVITY |
| 158Z | | | D02162 | DED | | 73-21-17 | TB0182X | DED | | R2 | | | VK161-VK170, VL011-VL040, VL796-VL810, VL871-VL880, VN171-VN190, VN211-VN220, VN241-VN290, VN371-VN420, VN531-VN545, VN551-VN633, VS061-VS066, VS066-VS070 |
| 159 | 24 | FV | D02162 | 52 | | 73-21-11 | D08032J | 15 | | R2 | 3 | | VK001-VK011, VK021-VK030 |
| 159 | 24 | FV | TB0248Y | C003 | BJ | 73-21-17 | D05552J | 32 | | R2 | 3 | | VK055-VK080, VK171-VK180, VR421-VR421, VR471-VR471 |
| 159 | 24 | FV | TB0248Y | C003 | BJ | 73-21-17 | D05552J | 32 | | R2 | 3 | | VK161-VK170, VL011-VL040, VL796-VL805, VN171-VN190, VN211-VN220, VN241-VN290, VN371-VN420, VN531-VN545, VN551-VN633, VS061-VS061, VS066-VS070 |
| 159 | 24 | FV | TB0248Y | C003 | BJ | 73-21-17 | D05552J | 32 | | R2 | 2 | | VL806-VL810, VL871-VL880 |
| 159 | 24 | FV | TB0248Y | C003 | BJ | 73-21-17 | D05552J | 32 | | R2 | 3 | | VL931-VL940, VN221-VN230, VN491-VN530, VN671-VN675, VN681-VN730, VN931-VN950, VN966-VN967, VN971-VN990, VS091-VS094, VS206-VS207 |
| 159F | 20 | UA | D05552J | | | 73-21-17 | GDX0002 | S.. | 2 | R2 | 3 | | VK055-VK080, VK171-VK180, VR421-VR421, VR471-VR471 |
| 159F | 20 | UA | GDX0002 | S.. | 2 | 73-21-17 | D05552J | | | R2 | 3 | | VK161-VK170, VL011-VL040, VL796-VL805, VN171-VN190, VN211-VN220, VN241-VN290, VN371-VN420, VN531-VN545, VN551-VN633, VS061-VS061, VS066-VS070 |
| 159F | 20 | UA | GDX0002 | S.. | 2 | 73-21-17 | D05552J | | | R2 | 2 | | VL806-VL810, VL871-VL880 |
| 159F | 20 | UA | D05552J | | | 73-21-17 | GDX0002 | S.. | 2 | R2 | 3 | | VL931-VL940, VN221-VN230, VN491-VN530, VN671-VN675, VN681-VN730, VN931-VN950, VN966-VN967, VN971-VN990, VS091-VS094, VS206-VS207 |
| 159Z | | | D02162 | | | 73-21-11 | D08032J | | | R2 | | | VK001-VK011, VK021-VK030 |
| 159Z | | | D05552J | | | 73-21-17 | TB0248Y | A004 | BJ | R2 | | | VK055-VK080, VK171-VK180, VR421-VR421, VR471-VR471 |
| 159Z | | | TB0248Y | A004 | BJ | 73-21-17 | D05552J | | | R2 | | | VK161-VK170, VL011-VL040, VL796-VL810, VL871-VL880, VN171-VN190, VN211-VN220, VN241-VN290, VN371-VN420, VN531-VN545, VN551-VN633, VS061-VS061, VS066-VS070 |
| 159Z | | | D05552J | | | 73-21-17 | TB0248Y | A004 | BJ | R2 | | | VL931-VL940, VN221-VN230, VN671-VN675, VN681-VN730, VN931-VN950, VN966-VN967, VN971-VN990, VS207 |
| 159Z | | | D05552J | | | 73-21-17 | TB0248Y | | | R2 | | | VN221-VN222, VN491-VN530, VS091-VS094 |
| 160 | 22 | PA | D02162 | 17 | | 73-21-19 | D08032J | 34 | | R2 | 3 | | VK001-VK011, VK021-VK030 |
| 160 | 22 | PA | TB0248D | A021 | 2 | 73-21-19 | D08032J | 34 | | R2 | 2 | | VK012-VK020, VK181-VK190, VR461-VR461 |

286T1080-300
Wire Bundle Assembly
Figure 114 (Sheet 50)

25-71-01



COMPONENT
MAINTENANCE MANUAL

| WIRE | | FROM EQUIPMENT | | | TO EQUIPMENT | | | WIRE INFO | | | | | |
|--------|----|----------------|---------|------|--------------|----------|---------|-----------|----|-------------|----|-------|---|
| NUMBER | GA | TYP | NUMBER | TERM | TT | WDM REF | NUMBER | TERM | TT | EMC/ SEP | FT | NOTES | EFFECTIVITY |
| 160 | 22 | PA | TB0248D | A021 | 2 | 73-21-19 | D08032J | 34 | | R2 | 3 | | VK031-VK054, VK131-VK140, VL001-VL010, VL751-VL790, VL911-VL930, VN001-VN050, VN231-VN240, VN301-VN340, VN421-VN490, VN546-VN550, VN634-VN650, VN791-VN810, VN921-VN930, VN951-VN960, VS051-VS052, VS176-VS177, VS196-VS199, VS261-VS262 |
| 160 | 24 | PK | TB0248D | A021 | 2 | 73-21-19 | D08032J | 33 | | R2 | 3 | | VK055-VK080, VK171-VK180, VR421-VR421, VR471-VR471 |
| 160 | 24 | PK | TB0248D | A021 | 2 | 73-21-19 | D08032J | 33 | | R2 | 3 | | VK161-VK170, VL011-VL040, VL796-VL805, VL931-VL940, VN171-VN190, VN211-VN230, VN241-VN290, VN371-VN420, VN491-VN545, VN551-VN633, VN671-VN675, VN681-VN730, VN931-VN950, VN966-VN967, VN971-VN990, VS061-VS061, VS066-VS070, VS091-VS094, VS206-VS207 |
| 160 | 24 | PK | TB0248D | A021 | 2 | 73-21-19 | D08032J | 33 | | R2 | 2 | | VL806-VL810, VL871-VL880 |
| 160 | 22 | PA | TB0248D | A021 | 2 | 73-21-19 | D08032J | 34 | | R2 | 3 | | VL891-VL910 |
| 160 | 22 | PK | TB0248D | A021 | 2 | 73-21-19 | D08032J | 34 | | R2 | 2 | | VN968-VN970, VS073-VS073, VS131-VS132, VS266-VS268 |
| 161 | 22 | PA | D02162 | 18 | | 73-21-19 | D08032J | 33 | | R2 | 3 | | VK001-VK011, VK021-VK030 |
| 161 | 22 | PA | TB0248Y | C014 | BJ | 73-21-19 | D08032J | 33 | | R2 | 2 | | VK012-VK020, VK181-VK190, VR461-VR461 |
| 161 | 22 | PA | TB0248Y | C014 | BJ | 73-21-19 | D08032J | 33 | | R2 | 3 | | VK031-VK054, VK131-VK140, VL001-VL010, VL751-VL790, VL911-VL930, VN001-VN050, VN231-VN240, VN301-VN340, VN421-VN490, VN546-VN550, VN634-VN650, VN791-VN810, VN921-VN930, VN951-VN960, VS051-VS052, VS176-VS177, VS196-VS199, VS261-VS262 |
| 161 | 24 | PK | D02162 | 19 | | 73-21-19 | TB0248D | C021 | 2 | R2 | 4 | | VK055-VK080, VK171-VK180, VL931-VL940, VN221-VN230, VN491-VN530, VN671-VN675, VN681-VN730, VN931-VN950, VN966-VN967, VN971-VN990, VR421-VR421, VR471-VR471, VS091-VS094, VS206-VS207 |
| 161 | 24 | PK | D02162 | 19 | | 73-21-19 | TB0248D | C021 | 2 | R2 | 3 | | VK161-VK170, VL011-VL040, VL796-VL805, VN171-VN190, VN211-VN220, VN241-VN290, VN371-VN420, VN531-VN545, VN551-VN633, VS061-VS061, VS066-VS070 |
| 161 | 24 | PK | D02162 | 19 | | 73-21-19 | TB0248D | C021 | 2 | R2 | 2 | | VL806-VL810, VL871-VL880 |
| 161 | 22 | PA | TB0248Y | C014 | BJ | 73-21-19 | D08032J | 33 | | R2 | 3 | | VL891-VL910 |
| 161 | 22 | PK | D08032J | 33 | | 73-21-19 | TB0248Y | C014 | BJ | R2 | 2 | | VN968-VN970, VS131-VS132 |
| 161 | 22 | PK | D08032J | 33 | | 73-21-19 | TB0248Y | C014 | BJ | R2 | 2 | | VS073-VS073, VS266-VS268 |
| 162 | 22 | PA | D02162 | 50 | | 73-21-19 | D08032J | 19 | | R2 | 4 | | VK001-VK011, VK021-VK030 |

286T1080-300
Wire Bundle Assembly
Figure 114 (Sheet 51)

25-71-01



BOEING
COMPONENT
MAINTENANCE MANUAL

| WIRE | | FROM EQUIPMENT | | | TO EQUIPMENT | | WIRE INFO | | | | | | |
|--------|----|----------------|---------|------|--------------|----------|-----------|------|----|---------|----|-------|--|
| NUMBER | GA | TYP | NUMBER | TERM | TT | WDM REF | NUMBER | TERM | TT | EMC/SEP | FT | NOTES | EFFECTIVITY |
| 162 | 22 | PA | D02162 | 2 | | 73-21-19 | D08032J | 19 | | R2 | 3 | | VK055-VK080, VK171-VK180, VL931-VL940, VN221-VN230, VN491-VN530, VN671-VN675, VN681-VN730, VN931-VN950, VN966-VN967, VN971-VN990, VR421-VR421, VR471-VR471, VS091-VS094, VS206-VS207 |
| 162 | 22 | PA | D02162 | 2 | | 73-21-19 | D08032J | 19 | | R2 | 3 | | VK161-VK170, VL011-VL040, VL796-VL805, VN171-VN190, VN211-VN220, VN241-VN290, VN371-VN420, VN531-VN545, VN551-VN633, VS061-VS061, VS066-VS070 |
| 162 | 22 | PA | D02162 | 2 | | 73-21-19 | D08032J | 19 | | R2 | 2 | | VL806-VL810, VL871-VL880 |
| 163 | 24 | PK | D02162 | 16 | | 73-21-19 | D08032J | 32 | | R2 | 3 | | VK001-VK011, VK021-VK030 |
| 163 | 22 | PA | TB0182X | B016 | BJ | 73-21-19 | D08032J | 32 | | R2 | 2 | | VK012-VK020, VK181-VK190, VR461-VR461 |
| 163 | 22 | PA | TB0182X | B016 | BJ | 73-21-19 | D08032J | 32 | | R2 | 3 | | VK031-VK054, VK131-VK140, VL001-VL010, VL751-VL790, VL911-VL930, VN001-VN050, VN231-VN240, VN301-VN340, VN421-VN490, VN546-VN550, VN634-VN650, VN791-VN810, VN921-VN930, VN951-VN960, VS051-VS052, VS176-VS177, VS196-VS199, VS261-VS262 |
| 163 | 22 | PA | D02162 | 35 | | 73-21-19 | D08032J | 32 | | R2 | 3 | | VK055-VK080, VK161-VK180, VL011-VL040, VL796-VL805, VL931-VL940, VN171-VN190, VN211-VN230, VN241-VN290, VN371-VN420, VN491-VN545, VN551-VN633, VN671-VN675, VN681-VN730, VN931-VN950, VN966-VN967, VN971-VN990, VR421-VR421, VR471-VR471, VS061-VS061, VS066-VS070 |
| 163 | 22 | PA | D02162 | 35 | | 73-21-19 | D08032J | 32 | | R2 | 2 | | VL806-VL810, VL871-VL880 |
| 163 | 22 | PA | TB0182X | B016 | BJ | 73-21-19 | D08032J | 32 | | R2 | 3 | | VL891-VL910 |
| 163 | 22 | PA | TB0182X | B016 | BJ | 73-21-19 | D08032J | 32 | | R2 | 2 | | VN968-VN970, VS131-VS132 |
| 163 | 22 | PA | TB0182X | B16 | BJ | 73-21-19 | D08032J | 32 | | R2 | 2 | | VS073-VS073, VS266-VS268 |
| 164 | 20 | UA | D02162 | | | 73-21-11 | GDX0002 | S.. | 2 | R2 | 4 | | VK001-VK011, VK021-VK030 |
| 164 | 20 | UA | D02162 | | | 73-21-17 | GDX0002 | S.. | 2 | R2 | 4 | | VK055-VK080, VK171-VK180, VL931-VL940, VN223-VN230, VN491-VN530, VN671-VN675, VN681-VN730, VN931-VN950, VN966-VN967, VN971-VN990, VR421-VR421, VR471-VR471, VS091-VS094, VS206-VS207 |
| 164 | 20 | UA | D02162 | | | 73-21-17 | GDX0002 | S.. | 2 | R2 | 4 | | VK161-VK170, VL011-VL040, VL796-VL805, VN171-VN190, VN211-VN220, VN241-VN290, VN371-VN420, VN531-VN545, VN551-VN633, VS061-VS061, VS066-VS070 |
| 164 | 20 | UA | D02162 | | | 73-21-17 | GDX0002 | S.. | 2 | R2 | 2 | | VL806-VL810, VL871-VL880 |

286T1080-300
Wire Bundle Assembly
Figure 114 (Sheet 52)

25-71-01

| WIRE | | | FROM EQUIPMENT | | | TO EQUIPMENT | | | WIRE INFO | | | | |
|--------|----|-----|----------------|------|----|--------------|---------|------|-----------|---------|----|-------|---|
| NUMBER | GA | TYP | NUMBER | TERM | TT | WDM REF | NUMBER | TERM | TT | EMC/SEP | FT | NOTES | EFFECTIVITY |
| 164 | 20 | UA | D02162 | | | 73-21-17 | GDX0002 | S.. | 2 | R2 | 4 | | VN221-VN222 |
| 165 | 24 | PV | D02162 | 12 | | 73-21-16 | TB0182X | A012 | BJ | R2 | 4 | | VK001-VK011, VK021-VK030 |
| 165Z | | | D02162 | | | 73-21-16 | TB0182X | D011 | BJ | R2 | | | VK001-VK011, VK021-VK030 |
| 166 | 24 | PV | D02162 | 45 | | 73-21-16 | D08032J | 10 | | R2 | 3 | | VK001-VK011, VK021-VK030 |
| 166 | 24 | PK | TB0182X | B015 | BJ | 73-21-16 | D08032J | 11 | | R2 | 3 | | VK031-VK054, VL001-VL010, VN001-VN050, VN301-VN340, VS196-VS199 |
| 166Z | | | D02162 | | | 73-21-16 | D08032J | | | R2 | | | VK001-VK011, VK021-VK030 |
| 167 | 24 | PK | D02162 | 9 | | 22-32-13 | D04887J | 15 | | R2 | 3 | | VK001-VK011, VK021-VK030 |
| 167 | 24 | PK | D04887J | 15 | | 22-32-13 | TB0182X | D016 | BJ | R2 | 3 | | VK012-VK020, VK031-VK054, VK131-VK140, VK181-VK190, VL001-VL010, VL751-VL790, VL911-VL930, VN001-VN050, VN231-VN240, VN301-VN340, VM421-VN490, VN546-VN550, VN634-VN650, VN791-VN810, VN921-VN930, VN951-VN960, VR461-VR461, VS051-VS052, VS176-VS177, VS196-VS199, VS261-VS262 |
| 167 | 24 | PK | D04887J | 15 | | 22-32-13 | D02162 | 62 | | R2 | 3 | | VK055-VK080, VK161-VK180, VL011-VL040, VL796-VL805, VN171-VN190, VN211-VN220, VN241-VN290, VN371-VN420, VN531-VN545, VN551-VN633, VR421-VR421, VR471-VR471, VS061-VS061, VS066-VS070 |
| 167 | 24 | PK | D04887J | 15 | | 22-32-13 | D02162 | 62 | | R2 | 1 | | VL806-VL810, VL871-VL880 |
| 167 | 24 | PK | D04887J | 15 | | 22-32-13 | TB0182X | D016 | BJ | R2 | 3 | | VL891-VL910 |
| 167 | 24 | PK | D02162 | 62 | | 22-32-13 | D04887J | 15 | | R2 | 3 | | VL931-VL940, VN221-VN230, VM491-VN530, VN671-VN675, VN681-VN730, VN931-VN950, VN966-VN967, VN971-VN990, VS091-VS094, VS206-VS207 |
| 167 | 24 | PK | TB0182X | D016 | BJ | 22-32-13 | D04887J | 15 | | R2 | 2 | | VN968-VN970, VS131-VS132 |
| 167 | 24 | PK | D04887J | 15 | | 22-32-13 | TB0182X | D016 | BJ | R2 | 2 | | VS073-VS073, VS266-VS268 |
| 168 | 24 | PV | D02162 | 31 | | 73-21-11 | TB0248Z | 5 | BJ | R2 | 4 | | VK001-VK011, VK021-VK030 |
| 168 | 24 | PV | D02162 | 6 | | 73-21-17 | TB0248Z | 5 | BJ | R2 | 4 | | VK055-VK080, VK171-VK180, VL931-VL940, VN221-VN222, VN491-VN530, VN671-VN675, VN681-VN730, VN931-VN950, VR421-VR421, VR471-VR471, VS091-VS094, VS206-VS207 |
| 168 | 24 | PV | D02162 | 6 | | 73-21-17 | TB0248Z | 5 | BJ | R2 | 4 | | VK161-VK170, VL011-VL040, VL796-VL805, VN171-VN190, VN211-VN220, VN241-VN290, VN371-VN420, VN531-VN545, VN551-VN633, VS061-VS061, VS066-VS070 |
| 168 | 24 | PV | D02162 | 6 | | 73-21-17 | TB0248Z | 5 | BJ | R2 | 2 | | VL806-VL810, VL871-VL880 |

286T1080-300
Wire Bundle Assembly
Figure 114 (Sheet 53)

25-71-01



BOEING
COMPONENT
MAINTENANCE MANUAL

| WIRE | | FROM EQUIPMENT | | | TO EQUIPMENT | | | WIRE INFO | | | | | |
|--------|----|----------------|--------|------|--------------|----------|---------|-----------|----|---------|----|-------|---|
| NUMBER | GA | TYP | NUMBER | TERM | TT | WDM REF | NUMBER | TERM | TT | EMC/SEP | FT | NOTES | EFFECTIVITY |
| 168Z | 24 | FV | D02162 | 6 | | 73-21-17 | TB0248Z | 5 | BJ | R2 | 4 | | VN223-VN230, VN966-VN967, VN971-VN990 |
| 168Z | | | D02162 | | | 73-21-11 | TB0248Z | 6 | BJ | R2 | | | VK001-VK011, VK021-VK030 |
| 168Z | | | D02162 | | | 73-21-17 | TB0248Z | 6 | BJ | R2 | | | VK055-VK080, VK171-VK180, VL931-VL940, VM491-VN530, VN671-VN730, VN811-VN931, VN931-VN950, VR421-VR421, VR471-VR471, VS091-VS094, VS206-VS207 |
| 168Z | | | D02162 | | | 73-21-17 | TB0248Z | 6 | BJ | R2 | | | VK161-VK170, VL011-VL040, VL796-VL810, VL871-VL880, VN171-VN190, VN211-VN220, VN223-VN230, VN241-VN290, VN371-VN420, VN531-VN545, VN551-VN633, VN966-VN967, VN971-VN990, VS061-VS061, VS066-VS070 |
| 168Z | | | D02162 | | | 73-21-17 | TB0248Z | 6 | BJ | R2 | | | VN221-VN222 |
| 169Z | 24 | FV | D02162 | 4 | | 73-21-12 | D08032J | 16 | | R2 | 3 | | VK001-VK011, VK021-VK030 |
| 169Z | 24 | FV | D02162 | 8 | | 73-21-12 | D08032J | 16 | | R2 | 3 | | VK055-VK080, VK161-VK180, VL011-VL040, VL796-VL805, VL931-VL940, VN171-VN190, VN211-VN220, VN223-VN230, VN241-VN290, VN371-VN420, VM491-VN545, VN551-VN633, VN671-VN730, VN811-VN931, VN931-VN950, VN966-VN967, VN971-VN990, VR421-VR421, VR471-VR471, VS061-VS061, VS066-VS070, VS091-VS094, VS206-VS207 |
| 169Z | 24 | FV | D02162 | 8 | | 73-21-12 | D08032J | 16 | | R2 | 2 | | VL806-VL810, VL871-VL880 |
| 169Z | 24 | FV | D02162 | 8 | | 73-21-12 | D08032J | 16 | | R2 | 3 | | VN221-VN222 |
| 169Z | | | D02162 | | | 73-21-12 | D08032J | | | R2 | | | VK001-VK011, VK021-VK030 |
| 169Z | | | D02162 | | | 73-21-12 | D08032J | | | R2 | | | VK055-VK080, VK161-VK180, VL011-VL040, VL796-VL810, VL931-VL940, VN171-VN190, VN211-VN220, VN223-VN230, VN241-VN290, VN371-VN420, VM491-VN545, VN551-VN633, VN671-VN730, VN811-VN931, VN931-VN950, VN966-VN967, VN971-VN990, VR421-VR421, VR471-VR471, VS061-VS061, VS066-VS070, VS091-VS094, VS206-VS207 |
| 169Z | | | D02162 | | | 73-21-12 | D08032J | 34 | | R2 | | | VL871-VL880 |
| 169Z | | | D02162 | | | 73-21-12 | D08032J | 29 | | R2 | 3 | | VN221-VN222 |
| 170Z | 24 | PK | D02162 | 3 | | 73-21-12 | D08032J | 29 | | R2 | 3 | | VK001-VK011, VK021-VK030 |
| 170Z | 24 | PK | D02162 | 7 | | 73-21-12 | D08032J | 29 | | R2 | 3 | | VK055-VK080, VK171-VK180, VL931-VL940, VN221-VN230, VN491-VN530, VN671-VN730, VN811-VN931, VN931-VN950, VN966-VN967, VN971-VN990, VR421-VR421, VR471-VR471, VS091-VS094, VS206-VS207 |

286T1080-300
Wire Bundle Assembly
Figure 114 (Sheet 54)

25-71-01

| WIRE | | | FROM EQUIPMENT | | | | TO EQUIPMENT | | | | WIRE INFO | | | |
|--------|----|-----|----------------|------|----|----------|--------------|------|----|---------|-----------|-------|--|--|
| NUMBER | GA | TYP | NUMBER | TERM | TT | WDM REF | NUMBER | TERM | TT | EMC/SEP | FT | NOTES | EFFECTIVITY | |
| 170 | 24 | PK | D02162 | 7 | | 73-21-12 | D08032J | 29 | | R2 | 3 | | VK161-VK170, VL011-VL040, VL796-VL805, VNI171-VNI190, VN211-VN230, VN241-VN290, VN371-VN420, VN531-VN545, VN551-VN633, VS061-VS066, VS066-VS070 | |
| 170 | 24 | PK | D02162 | 7 | | 73-21-12 | D08032J | 29 | | R2 | 2 | | VL806-VL810, VL871-VL880 | |
| 172 | 22 | PA | TE0182X | A027 | BJ | 73-21-11 | D08032J | 5 | | R2 | 3 | | VK001-VK011, VK021-VK030 | |
| 172 | 22 | PQ | TE0182X | A027 | BJ | 73-21-11 | D08032J | 5 | | R2 | 3 | | VK055-VK080, VK171-VK180, VR421-VR421, VR471-VR471 | |
| 172 | 22 | PQ | D08032J | 5 | | 73-21-11 | TB0182X | A027 | BJ | R2 | 3 | | VK161-VK170, VL011-VL040, VL796-VL805, VNI171-VNI190, VN211-VN230, VN241-VN290, VN388-VN405, VN531-VN545, VN551-VN633, VS061-VS066, VS066-VS070 | |
| 172 | 22 | PQ | D08032J | 5 | | 73-21-11 | TB0182X | A027 | BJ | R2 | 2 | | VL806-VL810 | |
| 172 | 24 | PV | D08032J | 5 | | 73-21-11 | TE0182X | A027 | BJ | R2 | 2 | | VL871-VL880 | |
| 172 | 22 | FQ | TE0182X | A027 | BJ | 73-21-11 | D08032J | 5 | | R2 | 3 | | VL931-VL940, VN221-VN230, VN491-VN530, VN681-VN730, VN931-VN950, VN966-VN967, VN971-VN990, VS091-VS094, VS206-VS207 | |
| 172 | 24 | PV | D08032J | 5 | | 73-21-11 | TB0182X | A027 | BJ | R2 | 3 | | VR371-VN387, VN406-VN420 | |
| 172 | 24 | PV | TE0182X | A027 | BJ | 73-21-11 | D08032J | 5 | | R2 | 3 | | VN671-VN675 | |
| 172Z | | | D08032J | | | 73-21-11 | TB0182X | B027 | BJ | R2 | | | VR055-VK080, VK171-VK180, VR421-VR421, VR471-VR471 | |
| 172Z | | | D08032J | | | 73-21-11 | TB0182X | B027 | BJ | R2 | | | VK161-VK170, VL011-VL040, VL796-VL810, VL871-VL880, VL931-VL940, VNI171-VNI190, VN211-VN230, VN241-VN290, VN371-VN420, VN491-VN545, VN551-VN633, VN671-VN675, VN681-VN730, VN931-VN950, VN966-VN967, VN971-VN990, VS091-VS094, VS206-VS207 | |
| 173 | 24 | PK | D02162 | 2 | | 73-21-11 | TB0182Y | C003 | BJ | R2 | 4 | | VK001-VK011, VK021-VK030 | |
| 173 | 24 | PK | D02162 | 61 | | 73-21-17 | TB0182Y | C003 | BJ | R2 | 3 | | VK055-VK080, VK171-VK180, VL931-VL940, VN221-VN230, VN491-VN530, VN671-VN675, VN681-VN730, VN931-VN950, VN966-VN967, VN971-VN990, VR421-VR421, VR471-VR471, VS091-VS094, VS206-VS207 | |
| 173 | 24 | PK | TE0182Y | C003 | BJ | 73-21-17 | D02162 | 61 | | R2 | 4 | | VK161-VK170, VL011-VL040, VL796-VL805, VNI171-VNI190, VN211-VN220, VN241-VN290, VN371-VN420, VN531-VN545, VN551-VN633, VS061-VS066, VS066-VS070 | |
| 173 | 24 | PK | TE0182Y | C003 | BJ | 73-21-17 | D02162 | 61 | | R2 | 3 | | VL806-VL810, VL871-VL880 | |
| 174 | 24 | PK | D02162 | 48 | | 22-32-13 | D04887J | 14 | | R2 | 3 | | VK001-VK011, VK021-VK030 | |

286T1080-300
Wire Bundle Assembly
Figure 114 (Sheet 55)

25-71-01

TESTING & FAULT ISOLATION
01 Page 140J
Nov 01/02



BOEING
COMPONENT
MAINTENANCE MANUAL

| WIRE | | FROM EQUIPMENT | | | TO EQUIPMENT | | | WIRE INFO | | | | | |
|--------|----|----------------|---------|------|--------------|----------|---------|-----------|----|---------|----|-------|--|
| NUMBER | GA | TYP | NUMBER | TERM | TT | WDM REF | NUMBER | TERM | TT | EMC/SEP | FT | NOTES | EFFECTIVITY |
| 174 | 24 | PK | D04887J | 14 | | 22-32-13 | TB0182X | D017 | BJ | R2 | 3 | | VK012-VK020, VK031-VK054, VK131-VK140, VK181-VK190, VL001-VL010, VL751-VL790, VL911-VL930, VN001-VN050, VN231-VN240, VN301-VN340, VN421-VN490, VN546-VN550, VN634-VN650, VN791-VN810, VN921-VN930, VN951-VN960, VR461-VR461, VS051-VS052, VS176-VS177, VS196-VS199 VS261-VS262 |
| 174 | 24 | PK | D04887J | 14 | | 22-32-13 | D02162 | 53 | | R2 | 3 | | VK055-VK080, VK161-VK180, VL011-VL040, VL796-VL805, VN171-VN190, VN211-VN220, VN241-VN290, VN371-VN420, VN531-VN545, VN551-VN633, VR421-VR421, VR471-VR471, VS061-VS061, VS066-VS070 |
| 174 | 24 | PK | D04887J | 14 | | 22-32-13 | D02162 | 53 | | R2 | 1 | | VL806-VL810, VL871-VL880 |
| 174 | 24 | PK | D04887J | 14 | | 22-32-13 | TB0182X | D017 | BJ | R2 | 3 | | VL891-VL910 |
| 174 | 24 | PK | D02162 | 53 | | 22-32-13 | D04887J | 14 | | R2 | 3 | | VL931-VL940, VN221-VN230, VN491-VN530, VN671-VN675, VN681-VN730, VN931-VN950, VN966-VN967, VN971-VN990, VS091-VS094, VS206-VS207 |
| 174 | 24 | PK | TB0182X | D017 | BJ | 22-32-13 | D04887J | 14 | | R2 | 2 | | VN968-VN970, VS131-VS132 |
| 174 | 24 | PK | D04887J | 14 | | 22-32-13 | TB0182X | D017 | BJ | R2 | 2 | | VS073-VS073, VS266-VS268 |
| 175 | 24 | PV | D02162 | 46 | | 73-21-17 | D08032J | 12 | | R2 | 3 | | VK001-VK011, VK021-VK030 |
| 175 | 24 | PK | TB0182X | B013 | BJ | 73-21-17 | D08032J | 12 | | R2 | 3 | | VK031-VK054 |
| 175Z | | | D02162 | | | 73-21-17 | D08032J | | | R2 | 3 | | VK001-VK011, VK021-VK030 |
| 176 | 24 | PK | D02162 | 55 | | 22-32-13 | D04887J | 18 | | R2 | 3 | | VK001-VK011, VK021-VK030 |
| 176 | 24 | PK | D04887J | 18 | | 22-32-13 | TB0182X | C017 | BJ | R2 | 3 | | VK012-VK020, VK031-VK054, VK131-VK140, VK181-VK190, VL001-VL010, VL751-VL790, VL911-VL930, VN001-VN050, VN231-VN240, VN301-VN340, VN421-VN490, VN546-VN550, VN634-VN650, VN791-VN810, VN921-VN930, VN951-VN960, VR461-VR461, VS051-VS052, VS176-VS177, VS196-VS199 VS261-VS262 |
| 176 | 24 | PK | D04887J | 18 | | 22-32-13 | D02162 | 30 | | R2 | 3 | | VK055-VK080, VK161-VK180, VL011-VL040, VL796-VL805, VN171-VN190, VN211-VN220, VN241-VN290, VN371-VN420, VN531-VN545, VN551-VN633, VR421-VR421, VR471-VR471, VS061-VS061, VS066-VS070 |
| 176 | 24 | PK | D04887J | 18 | | 22-32-13 | D02162 | 30 | | R2 | 1 | | VL806-VL810, VL871-VL880 |
| 176 | 24 | PK | D04887J | 18 | | 22-32-13 | TB0182X | C017 | BJ | R2 | 3 | | VL891-VL910 |

286T1080-300
Wire Bundle Assembly
Figure 114 (Sheet 56)

25-71-01



COMPONENT
MAINTENANCE MANUAL

| WIRE | | FROM EQUIPMENT | | | | TO EQUIPMENT | | | | WIRE INFO | | | |
|--------|----|----------------|---------|------|----|--------------|---------|------|----|-----------|----|-------|---|
| NUMBER | GA | TYP | NUMBER | TERM | TT | WDM REF | NUMBER | TERM | TT | EMC/SEP | FT | NOTES | EFFECTIVITY |
| 176 | 24 | PK | D02162 | 30 | | 22-32-13 | D04887J | 18 | | R2 | 3 | | VL931-VL940, VN221-VN230, VN491-VN530, VN671-VN675, VN681-VN730, VN931-VN950, VN966-VN967, VN971-VN990, VS091-VS094, VS206-VS207 |
| 176 | 24 | PK | TB0182X | C017 | BJ | 22-32-13 | D04887J | 18 | | R2 | 2 | | VN968-VN970, VS131-VS132 |
| 176 | 24 | PK | D04887J | 18 | | 22-32-13 | TB0182X | C017 | BJ | R2 | 2 | | VS266-VS268 |
| 177 | 22 | PA | TB0182X | A011 | BJ | 73-21-19 | D08032J | 19 | | R2 | 2 | | VR012-VK020, VK181-VK190, VR461-VR461 |
| 177 | 22 | PA | TB0182Y | C006 | BJ | 73-21-19 | D08032J | 19 | | R2 | 3 | | VK031-VK054, VL001-VL010, VN001-VN050, VN301-VN340, VS196-VS199 |
| 177 | 22 | FQ | TB0248Y | C003 | BJ | 73-21-19 | D08032J | 43 | | R2 | 3 | | VR055-VK080, VK171-VK180, VR421-VR421, VR471-VR471 |
| 177 | 22 | PA | TB0182X | A011 | BJ | 73-21-19 | D08032J | 19 | | R2 | 3 | | VK131-VK140, VL751-VL790, VL911-VL930, VN231-VN240, VN421-VN490, VN546-VN550, VN634-VN650, VN791-VN810, VN921-VN930, VN951-VN960, VS051-VS052, VS176-VS177, VS261-VS262 |
| 177 | 22 | FQ | D08032J | 43 | | 73-21-19 | TB0248Y | C003 | BJ | R2 | 2 | | VK161-VK170, VL011-VL040, VL796-VL805, VN171-VN190, VN211-VN220, VN241-VN290, VN371-VN420, VN531-VN545, VN551-VN633, VS061-VS061, VS066-VS070 |
| 177 | 22 | FQ | D08032J | 43 | | 73-21-19 | TB0248Y | C003 | BJ | R2 | 2 | | VL806-VL810, VL871-VL880 |
| 177 | 22 | PA | TB0182X | A011 | BJ | 73-21-19 | D08032J | 19 | | R2 | 3 | | VL891-VL910 |
| 177 | 22 | FQ | TB0248Y | C003 | BJ | 73-21-19 | D08032J | 43 | | R2 | 3 | | VL931-VL940, VN221-VN230, VN491-VN530, VN671-VN675, VN681-VN730, VN931-VN950, VN966-VN967, VN971-VN990, VS091-VS094, VS206-VS207 |
| 177 | 22 | PA | TB0182X | A011 | BJ | 73-21-19 | D08032J | 19 | | R2 | 2 | | VN968-VN970, VS131-VS132 |
| 177 | 22 | PA | D08032J | 19 | | 73-21-19 | TB0182X | A011 | BJ | R2 | 2 | | VS073-VS073, VS266-VS268 |
| 177Z | | | TB0248Y | A004 | BJ | 73-21-19 | D08032J | 44 | | R2 | | | VK055-VK080, VK171-VK180, VR421-VR421, VR471-VR471 |
| 177Z | | | D08032J | 44 | | 73-21-19 | TB0248Y | A004 | BJ | R2 | | | VK161-VK170, VL011-VL040, VL796-VL810, VL871-VL880, VN171-VN190, VN211-VN220, VN241-VN290, VN371-VN420, VN531-VN545, VN551-VN633, VS061-VS061, VS066-VS070 |
| 177Z | | | TB0248Y | A004 | BJ | 73-21-19 | D08032J | 44 | | R2 | | | VL931-VL940, VN221-VN230, VN491-VN530, VN671-VN675, VN681-VN730, VN931-VN950, VN966-VN967, VN971-VN990, VS091-VS094, VS206-VS207 |
| 178 | 24 | PK | D02162 | 44 | | 73-21-16 | D08032J | 35 | | R2 | 3 | | VK001-VK011, VK021-VK030 |

286T1080-300
Wire Bundle Assembly
Figure 114 (Sheet 57)

25-71-01



BOEING
COMPONENT
MAINTENANCE MANUAL

| WIRE | | FROM EQUIPMENT | | | TO EQUIPMENT | | | WIRE INFO | | | | | |
|--------|----|----------------|---------|------|--------------|----------|---------|-----------|----|---------|----|-------|---|
| NUMBER | GA | TYP | NUMBER | TERM | TT | WDM REF | NUMBER | TERM | TT | EMC/SEP | FT | NOTES | EFFECTIVITY |
| 178 | 24 | PK | TB0182X | D015 | BJ | 73-21-16 | D08032J | 35 | | R2 | 3 | | VK012-VK020, VK031-VK054, VK131-VK140, VK181-VK190, VL001-VL010, VL751-VL790, VL911-VL930, VN001-VN050, VN231-VN240, VN301-VN340, VN421-VN490, VN546-VN550, VN634-VN650, VN791-VN810, VN921-VN930, VN951-VN960, VR461-VR461, VS051-VS052, VS176-VS177, VS196-VS199 VS261-VS262 |
| 178 | 24 | PK | D02162 | 64 | | 73-21-16 | D08032J | 35 | | R2 | 3 | | VK055-VK080, VK161-VK180, VL011-VL040, VL796-VL805, VL931-VL940, VN171-VN190, VN211-VN230, VN241-VN290, VN371-VN420, VN491-VN545, VN551-VN633, VN671-VN675, VN681-VN730, VN931-VN950, VN966-VN967, VN971-VN990, VR421-VR421, VR471-VR471, VS061-VS061, VS066-VS070 VS091-VS094, VS206-VS207 |
| 178 | 24 | PK | D02162 | 64 | | 73-21-16 | D08032J | 35 | | R2 | 2 | | VL806-VL810, VL871-VL880 |
| 178 | 24 | PK | TB0182X | D015 | BJ | 73-21-16 | D08032J | 35 | | R2 | 3 | | VL891-VL910 |
| 178 | 24 | PK | TB0182X | D015 | BJ | 73-21-16 | D08032J | 35 | | R2 | 2 | | VN968-VN970, VS131-VS132 |
| 178 | 24 | PK | TB0182X | D015 | BJ | 73-21-16 | D08032J | 35 | | R2 | 2 | | VS073-VS073, VS266-VS268 |
| 179 | 24 | PV | D02162 | 57 | | 73-21-15 | D08032J | 9 | | R2 | 3 | | VK001-VK011, VK021-VK030 |
| 179 | 24 | PK | TB0182X | B014 | BJ | 73-21-15 | D08032J | 9 | | R2 | 3 | | VK031-VK054 |
| 179 | 24 | PK | TB0182G | 24 | 2 | 73-21-15 | D08032J | 9 | | R2 | 3 | | VL001-VL010, VN001-VN050, VN301-VN340, VS196-VS199 |
| 179Z | 24 | PK | D02162 | 24 | | 73-21-15 | D08032J | 9 | | R2 | 3 | | VK001-VK011, VK021-VK030 |
| 181 | 24 | PK | D08032J | 6 | | 73-21-18 | TB0182X | B008 | BJ | R2 | 3 | | VK001-VK054, VK131-VK140, VK181-VK190, VL001-VL010, VL751-VL790, VL911-VL930, VN001-VN050, VN231-VN240, VN301-VN340, VN421-VN490, VN546-VN550, VN634-VN650, VN791-VN810, VN921-VN930, VN951-VN960, VR461-VR461, VS051-VS052, VS176-VS177, VS196-VS199, VS261-VS262 |
| 181 | 24 | PK | D08032J | 6 | | 73-21-18 | TB0248X | B016 | BJ | R2 | 3 | | VK055-VK080, VR471-VR471 |
| 181 | 24 | PK | D08032J | 6 | | 73-21-18 | TB0248X | B016 | BJ | R2 | 3 | | VK161-VK170, VL931-VL940, VN221-VN230, VN251-VN290, VN671-VN675, VN681-VN730, VN932-VN950, VS066-VS070, VS206-VS207 |
| 181 | 24 | PK | D08032J | 6 | | 73-21-18 | TB0182Y | C008 | BJ | R2 | 3 | | VK171-VK180, VR421-VR421 |

286T1080-300
Wire Bundle Assembly
Figure 114 (Sheet 58)

25-71-01

| WIRE | | FROM EQUIPMENT | | | TO EQUIPMENT | | | WIRE INFO | | | | |
|--------|----|----------------|---------|------|--------------|----------|---------|-----------|----|-------------|-------------|--|
| NUMBER | GA | TYP | NUMBER | TERM | TT | WDM REF | NUMBER | TERM | TT | EMC/ SEP | FT NOTES | EFFECTIVITY |
| 181 | 24 | PK | D08032J | 6 | | 73-21-18 | TB0182Y | C008 | BJ | R2 | 3 | VL011-VL040, VL796-VL805, VN171-VN190, VN211-VN220, VN241-VN250, VN371-VN420, VN491-VN545, VN551-VN633, VN931-VN931, VN966-VN967, VN971-VN990, VS061-VS061, VS091-VS094 |
| 181 | 24 | PK | D08032J | 6 | | 73-21-18 | TB0248X | B016 | BJ | R2 | 2 | VL806-VL810 |
| 181 | 24 | PK | D08032J | 6 | | 73-21-18 | TB0182X | A012 | BJ | R2 | 2 | VL871-VL880 |
| 181 | 24 | PK | D08032J | 6 | | 73-21-18 | TB0182X | B008 | BJ | R2 | 3 | VL891-VL910 |
| 181 | 24 | PK | D08032J | 6 | | 73-21-18 | TB0182X | B008 | BJ | R2 | 2 | VN968-VN970, VS073-VS073, VS131-VS132, VS266-VS268 |
| 182 | 24 | PK | TB0182Y | C003 | BJ | 73-21-11 | D08032J | 3 | | R2 | 3 | VK001-VK011, VK021-VK030 |
| 182 | 24 | PK | TB0182Y | C003 | BJ | 73-21-17 | D08032J | 3 | | R2 | 3 | VK055-VK080, VK171-VK180, VR421-VR421, VR471-VR471 |
| 182 | 24 | PK | D08032J | 3 | | 73-21-17 | TB0182Y | C003 | BJ | R2 | 3 | VK161-VK170, VL011-VL040, VL796-VL805, VN171-VN190, VN211-VN220, VN241-VN290, VN371-VN420, VN531-VN545, VN551-VN633, VS061-VS061, VS066-VS070 |
| 182 | 24 | PK | D08032J | 3 | | 73-21-17 | TB0182Y | C003 | BJ | R2 | 2 | VL806-VL810, VL871-VL880 |
| 182 | 24 | PK | TB0182Y | C003 | BJ | 73-21-17 | D08032J | 3 | | R2 | 3 | VL931-VL940, VN221-VN230, VN491-VN530, VN671-VN675, VN681-VN730, VN931-VN950, VN966-VN967, VN971-VN990, VS091-VS094, VS206-VS207 |
| 183 | 24 | PK | TB0182Y | C005 | BJ | 73-21-15 | D08032J | 17 | | R2 | 3 | VK001-VK054, VK131-VK140, VK161-VK170, VK181-VK190, VL001-VL040, VL751-VL790, VL796-VL805, VL911-VL940, VN001-VN050, VN171-VN190, VN211-VN290, VN301-VN340, VN371-VN650, VN671-VN675, VN681-VN730, VN791-VN810, VN921-VN960, VN966-VN967, VN971-VN990, VR461-VR461, VS051-VS052, VS061-VS061, VS066-VS070, VS091-VS094, VS176-VS177, VS196-VS199, VS206-VS207, VS261-VS262 |
| 183 | 24 | PK | TB0182Y | C005 | BJ | 73-21-15 | D08032J | 17 | | R2 | 3 | VK055-VK080, VK171-VK180, VR421-VR421, VR471-VR471 |
| 183 | 24 | PK | TB0182Y | C005 | BJ | 73-21-15 | D08032J | 17 | | R2 | 2 | VL806-VL810, VL871-VL880, VN968-VN970, VS073-VS073, VS131-VS132, VS266-VS268 |
| 183 | 24 | PK | TB0182Y | C005 | BJ | 73-21-15 | D08032J | 17 | | R2 | 3 | VL891-VL910 |

286T1080-300
Wire Bundle Assembly
Figure 114 (Sheet 59)

25-71-01



BOEING
COMPONENT
MAINTENANCE MANUAL

| WIRE | | FROM EQUIPMENT | | | TO EQUIPMENT | | | WIRE INFO | | | | | |
|--------|----|----------------|---------|------|--------------|----------|---------|-----------|----|---------|----|-------|--|
| NUMBER | GA | TYP | NUMBER | TERM | TT | WDM REF | NUMBER | TERM | TT | EMC/SEP | FT | NOTES | EFFECTIVITY |
| 184 | 24 | PK | TB0182Y | A006 | BJ | 22-32-13 | D04887J | 11 | | R2 | 3 | | VK001-VK011, VK021-VK030, VK161-VK170, VL011-VL040, VL796-VL805, VL931-VL940, VNI71-VN190, VN211-VN230, VN241-VN290, VN371-VN420, VN491-VN545, VN551-VN633, VN671-VN675, VN681-VN730, VN931-VN950, VN966-VN967, VN971-VN990, VS061-VS061, VS066-VS070, VS091-VS094 VS206-VS207 |
| 184 | 24 | PK | TB0158F | C026 | | 22-32-13 | D04887J | 11 | | R2 | 3 | | VK012-VK020, VK031-VK054, VK131-VK140, VK181-VK190, VL001-VL010, VL751-VL790, VL911-VL930, VN001-VN050, VN231-VN240, VN301-VN340, VN421-VN490, VN546-VN550, VN634-VN650, VN791-VN810, VN921-VN930, VN951-VN960, VR461-VR461, VS051-VS052, VS176-VS177, VS196-VS199 VS261-VS262 |
| 184 | 24 | PK | TB0182Y | A006 | BJ | 22-32-13 | D04887J | 11 | | R2 | 3 | | VK055-VK080, VK171-VK180, VR421-VR421, VR471-VR471 |
| 184 | 24 | PK | TB0182Y | A006 | BJ | 22-32-13 | D04887J | 11 | | R2 | 2 | | VL806-VL810, VL871-VL880 |
| 184 | 24 | PK | TB0158F | C026 | | 22-32-13 | D04887J | 11 | | R2 | 3 | | VL891-VL910 |
| 184 | 24 | PK | TB0158F | C026 | | 22-32-13 | D04887J | 11 | | R2 | 2 | | VN968-VN970, VS073-VS073, VS131-VS132, VS266-VS268 |
| 185 | 24 | PK | TB0182Y | A003 | BJ | 22-32-13 | D04887J | 12 | | R2 | 3 | | VK001-VK011, VK021-VK030, VK161-VK170, VL011-VL040, VL796-VL805, VL931-VL940, VNI71-VN190, VN211-VN230, VN241-VN290, VN371-VN420, VN491-VN545, VN551-VN633, VN671-VN675, VN681-VN730, VN931-VN950, VN966-VN967, VN971-VN990, VS061-VS061, VS066-VS070, VS091-VS094 VS206-VS207 |
| 185 | 24 | PK | TB0158F | A026 | | 22-32-13 | D04887J | 12 | | R2 | 3 | | VK012-VK020, VK031-VK054, VK131-VK140, VK181-VK190, VL001-VL010, VL751-VL790, VL911-VL930, VN001-VN050, VN231-VN240, VN301-VN340, VN421-VN490, VN546-VN550, VN634-VN650, VN791-VN810, VN921-VN930, VN951-VN960, VR461-VR461, VS051-VS052, VS176-VS177, VS196-VS199 VS261-VS262 |
| 185 | 24 | PK | TB0182Y | A003 | BJ | 22-32-13 | D04887J | 12 | | R2 | 3 | | VK055-VK080, VK171-VK180, VR421-VR421, VR471-VR471 |
| 185 | 24 | PK | TB0182Y | A003 | BJ | 22-32-13 | D04887J | 12 | | R2 | 2 | | VL806-VL810, VL871-VL880 |
| 185 | 24 | PK | TB0158F | A026 | | 22-32-13 | D04887J | 12 | | R2 | 3 | | VL891-VL910 |
| 185 | 24 | PK | TB0158F | A026 | | 22-32-13 | D04887J | 12 | | R2 | 2 | | VN968-VN970, VS073-VS073, VS131-VS132, VS266-VS268 |
| 186 | 24 | PV | TB0248Z | 5 | BJ | 73-21-11 | D08032J | 7 | | R2 | 3 | | VK001-VK011, VK021-VK030 |
| 186 | 24 | PV | TB0248Z | 5 | BJ | 73-21-17 | D08032J | 7 | | R2 | 3 | | VK055-VK080, VK171-VK180, VR421-VR421, VR471-VR471 |

286T1080-300
Wire Bundle Assembly
Figure 114 (Sheet 60)

25-71-01

| WIRE | | FROM EQUIPMENT | | | TO EQUIPMENT | | | WIRE INFO | | | | | |
|--------|----|----------------|---------|------|--------------|----------|---------|-----------|----|-------------|----|-------|---|
| NUMBER | GA | TYP | NUMBER | TERM | TT | WDM REF | NUMBER | TERM | TT | EMC/ SEP | FT | NOTES | EFFECTIVITY |
| 186 | 24 | PV | TB0248Z | 5 | BJ | 73-21-17 | D08032J | 7 | | R2 | 3 | | VK161-VK170, VL011-VL040, VL796-VL805, VL931-VL940, VN171-VN190, VN211-VN230, VN241-VN290, VN371-VN420, VN491-VN545, VN551-VN633, VN671-VN675, VN681-VN730, VN931-VN950, VN966-VN967, VN971-VN990, VS061-VS061, VS066-VS070, VS091-VS094, VS206-VS207 |
| 186 | 24 | PV | TB0248Z | 5 | BJ | 73-21-17 | D08032J | 7 | | R2 | 2 | | VL806-VL810 |
| 186Z | | | TB0248Z | 6 | BJ | 73-21-11 | D08032J | | | R2 | | | VK001-VK011, VK021-VK030 |
| 186Z | | | TB0248Z | 6 | BJ | 73-21-17 | D08032J | | | R2 | | | VK055-VK080, VK171-VK180, VR421-VR421, VR471-VR471 |
| 186Z | | | TB0248Z | 6 | BJ | 73-21-17 | D08032J | | | R2 | | | VK161-VK170, VL011-VL040, VL796-VL810, VL931-VL940, VN171-VN190, VN211-VN230, VN241-VN290, VN371-VN420, VN491-VN545, VN551-VN633, VN671-VN675, VN681-VN730, VN931-VN950, VN966-VN967, VN971-VN990, VS061-VS061, VS066-VS070, VS091-VS094, VS206-VS207 |
| 187 | 24 | PV | TB0182X | B015 | BJ | 73-21-17 | D08032J | 13 | | R2 | 3 | | VK001-VK011, VK021-VK030 |
| 187 | 24 | PK | TB0182X | A013 | BJ | 73-21-17 | D08032J | 13 | | R2 | 3 | | VK031-VK054 |
| 187Z | | | TB0182X | A015 | BJ | 73-21-17 | D08032J | | | R2 | | | VK001-VK011, VK021-VK030 |
| 189 | 22 | PA | D02162 | 19 | | 73-21-11 | GDX0002 | D.. | 2 | R2 | 4 | | VK001-VK011, VK021-VK030 |
| 191 | 24 | PK | D02162 | 34 | | 73-21-11 | TB0182Y | C003 | BJ | R2 | 4 | | VK001-VK011, VK021-VK030 |
| 191 | 24 | PK | D02162 | 42 | | 73-21-17 | TB0182Y | C003 | BJ | R2 | 3 | | VK055-VK080, VK171-VK180, VL931-VL940, VN221-VN230, VN491-VN530, VN671-VN675, VN681-VN730, VN931-VN950, VN966-VN967, VN971-VN990, VR421-VR421, VR471-VR471, VS091-VS094, VS206-VS207 |
| 191 | 24 | PK | D02162 | 42 | | 73-21-17 | TB0182Y | C003 | BJ | R2 | 4 | | VK161-VK170, VL011-VL040, VL796-VL805, VN171-VN190, VN211-VN220, VN241-VN290, VN371-VN420, VN531-VN545, VN551-VN633, VS061-VS061, VS066-VS070 |
| 191 | 24 | PK | D02162 | 42 | | 73-21-17 | TB0182Y | C003 | BJ | R2 | 3 | | VL806-VL810, VL871-VL880 |
| 192 | 22 | PA | D05766J | 24 | | 36-11-62 | D01876 | 61 | | R2 | 3 | | VK012-VK020, VK131-VK140, VK161-VK170, VK181-VK190, VL001-VL040, VL751-VL790, VL796-VL805, VL891-VL930, VN001-VN050, VN171-VN190, VN211-VN220, VN231-VN290, VN301-VN340, VN371-VN490, VN531-VN650, VN791-VN810, VN921-VN930, VN951-VN960, VR461-VR461, VS051-VS052, VS061-VS061, VS066-VS070, VS176-VS177, VS196-VS199, VS261-VS262 |

286T1080-300
Wire Bundle Assembly
Figure 114 (Sheet 61)

25-71-01



BOEING
COMPONENT
MAINTENANCE MANUAL

| WIRE | | FROM EQUIPMENT | | | TO EQUIPMENT | | | WIRE INFO | | | | | |
|--------|----|----------------|---------|------|--------------|----------|---------|-----------|----|---------|----|-------|--|
| NUMBER | GA | TYP | NUMBER | TERM | TT | WDM REF | NUMBER | TERM | TT | EMC/SEP | FT | NOTES | EFFECTIVITY |
| 192 | 22 | PA | D01876 | 61 | | 36-11-62 | D05766J | 24 | | R2 | 3 | | VK055-VK080, VK171-VK180, VL931-VL940, VN221-VN230, VN491-VN530, VN671-VN675, VN681-VN730, VN931-VN950, VN966-VN967, VN971-VN990, VR421-VR421, VR471-VR471, VS091-VS094, VS206-VS207 |
| 192 | 22 | PA | D05766J | 24 | | 36-11-62 | D01876 | 61 | | R2 | 2 | | VL806-VL810, VS073-VS073, VS266-VS268 |
| 192 | 22 | PA | D01876 | 61 | | 36-11-62 | D05766J | 24 | | R2 | 2 | | VN968-VN970, VS131-VS132 |
| 193 | 22 | PA | D02162 | 32 | | 73-21-11 | GDX0002 | D.. | 2 | R2 | 4 | | VK001-VK011, VK021-VK030 |
| 194 | 24 | PV | D02162 | 42 | | 73-21-11 | TB0248Z | 7 | BJ | R2 | 4 | | VK001-VK011, VK021-VK030 |
| 194Z | | | D02162 | | | 73-21-11 | TB0248Z | 8 | BJ | R2 | | | VK001-VK011, VK021-VK030 |
| 195 | 24 | PK | D02162 | 27 | | 22-32-13 | D04887J | 17 | | R2 | 3 | | VK001-VK011, VK021-VK030 |
| 195 | 24 | PK | D04887J | 17 | | 22-32-13 | TB0182X | B017 | BJ | R2 | 3 | | VK012-VK020, VK031-VK054, VK131-VK140, VK181-VK190, VL001-VL010, VL751-VL790, VL911-VL930, VN001-VN050, VN231-VN240, VN301-VN340, VN421-VN490, VN546-VN550, VN634-VN650, VN791-VN810, VN921-VN930, VN951-VN960, VR461-VR461, VS051-VS052, VS176-VS177, VS196-VS199 VS261-VS262 |
| 195 | 24 | PK | D04887J | 17 | | 22-32-13 | D02162 | 23 | | R2 | 3 | | VK055-VK080, VK161-VK180, VL011-VL040, VL796-VL805, VN171-VN190, VN211-VN220, VN241-VN290, VN371-VN420, VN531-VN545, VN551-VN633, VR421-VR421, VR471-VR471, VS061-VS061, VS066-VS070 |
| 195 | 24 | PK | D04887J | 17 | | 22-32-13 | D02162 | 23 | | R2 | 1 | | VL806-VL810, VL871-VL880 |
| 195 | 24 | PK | D04887J | 17 | | 22-32-13 | TB0182X | B017 | BJ | R2 | 3 | | VL891-VL910 |
| 195 | 24 | PK | D02162 | 23 | | 22-32-13 | D04887J | 17 | | R2 | 3 | | VL931-VL940, VN221-VN230, VN491-VN530, VN671-VN675, VN681-VN730, VN931-VN950, VN966-VN967, VN971-VN990, VS091-VS094, VS206-VS207 |
| 195 | 24 | PK | TB0182X | B017 | BJ | 22-32-13 | D04887J | 17 | | R2 | 2 | | VN968-VN970, VS131-VS132 |
| 195 | 24 | PK | D04887J | 17 | | 22-32-13 | TB0182X | B017 | BJ | R2 | 2 | | VS073-VS073, VS266-VS268 |
| 196 | 24 | PK | D02162 | 66 | | 73-21-15 | TB0182Y | C005 | BJ | R2 | 4 | | VK001-VK011, VK021-VK030 |
| 196 | 24 | PK | TB0182X | A014 | BJ | 73-21-15 | D08032J | 14 | | R2 | 4 | | VK031-VK054 |
| 196 | 24 | PK | TB0182Y | C005 | BJ | 73-21-15 | D02162 | 59 | | R2 | 4 | | VK055-VK080, VK171-VK180, VR421-VR421, VR471-VR471 |
| 196 | 24 | PK | D02162 | 59 | | 73-21-15 | TB0182Y | C005 | BJ | R2 | 4 | | VK161-VK170, VL011-VL040, VL796-VL805, VN171-VN190, VN211-VN220, VN241-VN290, VN371-VN420, VN531-VN545, VN551-VN633, VS061-VS061, VS066-VS070 |

286T1080-300
Wire Bundle Assembly
Figure 114 (Sheet 62)

25-71-01

| WIRE | | FROM EQUIPMENT | | | TO EQUIPMENT | | | WIRE INFO | | | | | |
|--------|----|----------------|---------|------|--------------|----------|---------|-----------|----|-------------|----|-------|--|
| NUMBER | GA | TYP | NUMBER | TERM | TT | WDM REF | NUMBER | TERM | TT | EMC/ SEP | FT | NOTES | EFFECTIVITY |
| 196 | 24 | PK | D02162 | 59 | | 73-21-15 | TB0182Y | C005 | BJ | R2 | 3 | | VL806-VL810, VL871-VL880, VL931-VL940, VN221-VN230, VN491-VN530, VN671-VN675, VN681-VN730, VN931-VN950, VN966-VN967, VN971-VN990, VS091-VS094, VS206-VS207 |
| 197 | 24 | PK | D02162 | 64 | | 22-32-13 | D04887J | 16 | | R2 | 3 | | VK001-VK011, VK021-VK030 |
| 197 | 24 | PK | D04887J | 16 | | 22-32-13 | TB0182X | A017 | BJ | R2 | 3 | | VK012-VK020, VK031-VK054, VK131-VK140, VK181-VK190, VL001-VL010, VL751-VL790, VL911-VL930, VN001-VN050, VN231-VN240, VN301-VN340, VN421-VN490, VN546-VN550, VN634-VN650, VN791-VN810, VN921-VN930, VN951-VN960, VR461-VR461, VS051-VS052, VS176-VS177, VS196-VS199 VS261-VS262 |
| 197 | 24 | PK | D04887J | 16 | | 22-32-13 | D02162 | 26 | | R2 | 3 | | VK055-VK080, VK161-VK180, VL011-VL040, VL796-VL805, VN171-VN190, VN211-VN220, VN241-VN290, VN371-VN420, VN531-VN545, VN551-VN633, VR421-VR421, VR471-VR471, VS061-VS061, VS066-VS070 |
| 197 | 24 | PK | D04887J | 16 | | 22-32-13 | D02162 | 26 | | R2 | 1 | | VL806-VL810, VL871-VL880 |
| 197 | 24 | PK | D04887J | 16 | | 22-32-13 | TB0182X | A017 | BJ | R2 | 3 | | VL891-VL910 |
| 197 | 24 | PK | D02162 | 26 | | 22-32-13 | D04887J | 16 | | R2 | 3 | | VL931-VL940, VN221-VN230, VN491-VN530, VN671-VN675, VN681-VN730, VN931-VN950, VN966-VN967, VN971-VN990, VS091-VS094, VS206-VS207 |
| 197 | 24 | PK | TB0182X | A017 | BJ | 22-32-13 | D04887J | 16 | | R2 | 2 | | VN968-VN970, VS131-VS132 |
| 197 | 24 | PK | D04887J | 16 | | 22-32-13 | TB0182X | A017 | BJ | R2 | 2 | | VS073-VS073, VS266-VS268 |
| 198 | 24 | PK | D02162 | 25 | | 73-21-15 | TB0182Y | A006 | BJ | R2 | 4 | | VK001-VK011, VK021-VK030 |
| 198 | 24 | PK | D02162 | 65 | | 73-21-15 | TB0182Y | A006 | BJ | R2 | 3 | | VK055-VK080, VK171-VK180, VL806-VL810, VL871-VL880, VL931-VL940, VN221-VN230, VN491-VN530, VN671-VN675, VN681-VN730, VN931-VN950, VN966-VN967, VN971-VN990, VR421-VR421, VR471-VR471, VS091-VS094, VS206-VS207 |
| 198 | 24 | PK | D02162 | 65 | | 73-21-15 | TB0182Y | A006 | BJ | R2 | 4 | | VK161-VK170, VL011-VL040, VL796-VL805, VN171-VN190, VN211-VN220, VN241-VN290, VN371-VN420, VN531-VN545, VN551-VN633, VS061-VS061, VS066-VS070 |
| 199 | 24 | PV | D02162 | 61 | | 73-21-15 | D08032J | 8 | | R2 | 3 | | VK001-VK011, VK021-VK030 |
| 199 | 24 | PK | TB0182X | C014 | BJ | 73-21-15 | D08032J | 8 | | R2 | 3 | | VK031-VK054, VL001-VL010, VN001-VN050, VS196-VS199 |
| 199 | 24 | PK | TB0182Y | A014 | BJ | 73-21-15 | D08032J | 8 | | R2 | 3 | | VN301-VN340 |

286T1080-300
Wire Bundle Assembly
Figure 114 (Sheet 63)

25-71-01



BOEING
COMPONENT
MAINTENANCE MANUAL

| WIRE | | FROM EQUIPMENT | | | | TO EQUIPMENT | | | | WIRE INFO | | | |
|--------|-----|----------------|--------|--------|------|--------------|----------------------|-------------------|------|-----------|----|-------|--|
| NUMBER | GA | TYP | NUMBER | TERM | TT | WDM REF | NUMBER | TERM | TT | EMC/SEP | FT | NOTES | EFFECTIVITY |
| 199Z | 200 | 24 | PK | D02162 | A006 | BJ | 73-21-15 36-11-62 | D08032J D01876 | 65 | R2 | 4 | | VK001-VK011, VK021-VK030 VK012-VK020, VK131-VK140, VK181-VK190, VL001-VL010, VL751-VL790, VL891-VL930, VN001-VN050, VN231-VN240, VN301-VN340, VN421-VN490, VN546-VN550, VN791-VN810, VN921-VN930, VN951-VN960, VR461-VR461, VS051-VS052, VS176-VS177, VS196-VS199, VS261-VS262 |
| 200 | 24 | PK | D01876 | 65 | | | 36-11-62 | TB0248X | D011 | BJ | 4 | | VK055-VK080, VK161-VK180, VL011-VL040, VL796-VL805, VL931-VL940, VN171-VN190, VN211-VN230, VN241-VN290, VN371-VN420, VN491-VN545, VN551-VN636, VN671-VN675, VN681-VN730, VN931-VN950, VN966-VN967, VN971-VN990, VR421-VR421, VR471-VR471, VS061-VS061, VS066-VS070 VS091-VS094, VS206-VS207 |
| 200 | 24 | PK | D01876 | 65 | | | 36-11-62 | TB0248X | D011 | BJ | 3 | | VL806-VL810 |
| 200 | 24 | PK | D01876 | 65 | | | 36-11-62 | TB0248X | A006 | BJ | 4 | | VN637-VN650 |
| 200 | 24 | PK | D01876 | 65 | | | 36-11-62 | TB0248X | A006 | BJ | 3 | | VN968-VN970, VS073-VS073, VS131-VS132, VS266-VS268 |
| 201B | 24 | PL | D02676 | 17 | | | 27-51-11 | D08032J | 25 | R2 | 3 | | VK001-VK080, VK131-VK140, VK161-VK190, VL001-VL040, VL751-VL790, VL796-VL805, VL891-VL940, VN001-VN050, VN171-VN190, VN211-VN290, VN301-VN340, VN371-VN650, VN671-VN675, VN681-VN730, VN791-VN810, VN921-VN960, VN966-VN967, VN971-VN990, VR421-VR461-VR461 VR471-VR471, VS051-VS052, VS061-VS061, VS066-VS070, VS091-VS094, VS176-VS177, VS196-VS199, VS206-VS207, VS261-VS262 |
| 201B | 24 | PL | D02676 | 17 | | | 27-51-11 | D08032J | 25 | R2 | 2 | | VL806-VL810, VL871-VL880, VN968-VN970, VS073-VS073, VS131-VS132, VS266-VS268 |
| 201R | 24 | PL | D02676 | 18 | | | 27-51-11 | D08032J | 26 | R2 | | | VK001-VK080, VK131-VK140, VK161-VK190, VL001-VL040, VL751-VL790, VL796-VL805, VL891-VL940, VN001-VN050, VN171-VN190, VN211-VN290, VN301-VN340, VN371-VN650, VN671-VN675, VN681-VN730, VN791-VN810, VN921-VN960, VN966-VN967, VN971-VN990, VR421-VR421, VR461-VR461 VR471-VR471, VS051-VS052, VS061-VS061, VS066-VS070, VS091-VS094, VS176-VS177, VS196-VS199, VS206-VS207, VS261-VS262 |
| 202B | 24 | PL | D02676 | 9 | | | 27-58-21 | D08032J | 20 | R2 | 3 | | |

286T1080-300
Wire Bundle Assembly
Figure 114 (Sheet 64)

25-71-01

| WIRE | | FROM EQUIPMENT | | | TO EQUIPMENT | | | WIRE INFO | | | |
|--------|--------|----------------|---------|----------|--------------|---------|---------|-----------|-------|--|--|
| NUMBER | CA TYP | NUMBER | TERM TT | WDM REF | NUMBER | TERM TT | EMC/SEP | FT | NOTES | EFFECTIVITY | |
| 202B | 24 PL | D02676 | 9 | 27-58-21 | D08032J | 20 | R2 | 2 | | VL806-VL810, VL871-VL880, VN968-VN970, VS073-VS073, VS131-VS132, VS266-VS268 | |
| 202R | 24 PL | D02676 | 10 | 27-58-21 | D08032J | 21 | R2 | | | | |
| 203B | 22 PB | D02676 | 41 | 27-41-21 | D04887J | 5 | R2 | 3 | | VK001-VK080, VK131-VK140, VK161-VK190, VL001-VL040, VL751-VL790, VL796-VL805, VL891-VL940, VN001-VN050, VN171-VN190, VN211-VN290, VN301-VN340, VN371-VN650, VN671-VN675, VN681-VN730, VN791-VN810, VN921-VN960, VN966-VN967, VN971-VN990, VR421-VR461, VR461 VR471-VR471, VS051-VS052, VS061-VS061, VS066-VS070, VS091-VS094, VS176-VS177, VS196-VS199, VS206-VS207, VS261-VS262 | |
| 203B | 22 PB | D02676 | 41 | 27-41-21 | D04887J | 5 | R2 | 1 | | VL806-VL810, VL871-VL880, VN968-VN970, VS073-VS073, VS131-VS132, VS266-VS268 | |
| 203R | 22 PB | D02676 | 40 | 27-41-21 | D04887J | 4 | R2 | | | | |
| 206B | 24 PL | D02676 | 35 | 27-58-21 | D04887J | 30 | R2 | 3 | | VK001-VK080, VK131-VK140, VK161-VK190, VL001-VL040, VL751-VL790, VL796-VL805, VL891-VL940, VN001-VN050, VN171-VN190, VN211-VN290, VN301-VN340, VN371-VN650, VN671-VN675, VN681-VN730, VN791-VN810, VN921-VN960, VN966-VN967, VN971-VN990, VR421-VR461, VR461 VR471-VR471, VS051-VS052, VS061-VS061, VS066-VS070, VS091-VS094, VS176-VS177, VS196-VS199, VS206-VS207, VS261-VS262 | |
| 206B | 24 PL | D02676 | 35 | 27-58-21 | D04887J | 30 | R2 | 1 | | VL806-VL810, VL871-VL880, VN968-VN970, VS073-VS073, VS131-VS132, VS266-VS268 | |
| 206R | 24 PL | D02676 | 31 | 27-58-21 | D04887J | 31 | R2 | | | | |
| 207B | 24 PL | D02676 | 21 | 27-32-21 | D04887J | 29 | R2 | 3 | | VK001-VK080, VK131-VK140, VK161-VK190, VL001-VL040, VL751-VL790, VL796-VL805, VL891-VL940, VN001-VN050, VN171-VN190, VN211-VN290, VN301-VN340, VN371-VN650, VN671-VN675, VN681-VN730, VN791-VN810, VN921-VN960, VN966-VN967, VN971-VN990, VR421-VR461, VR461 VR471-VR471, VS051-VS052, VS061-VS061, VS066-VS070, VS091-VS094, VS176-VS177, VS196-VS199, VS206-VS207, VS261-VS262 | |

286T1080-300
Wire Bundle Assembly
Figure 114 (Sheet 65)

25-71-01



BOEING
COMPONENT
MAINTENANCE MANUAL

| WIRE | | | FROM EQUIPMENT | | | TO EQUIPMENT | | | WIRE INFO | | | | |
|--------|----|-----|----------------|------|----|--------------|---------|------|-----------|-------------|----|-------|--|
| NUMBER | GA | TYP | NUMBER | TERM | TT | WDM REF | NUMBER | TERM | TT | EMC/ SEP | FT | NOTES | EFFECTIVITY |
| 207B | 24 | FL | D02676 | 21 | | 27-32-21 | D04887J | 29 | | R2 | 1 | | VL806-VL810, VL871-VL880, VN968-VN970, VS073-VS073, VS131-VS132, VS266-VS268 |
| 207R | 24 | PL | D02676 | 19 | | 27-32-21 | D04887J | 28 | | R2 | | | |
| 211B | 24 | PL | D08032J | 47 | | 77-12-12 | TB0182X | C007 | BJ | R2 | 3 | | VK001-VK011, VK021-VK030 |
| 211B | 24 | PW | D08032J | 50 | | 77-12-12 | TB0182X | D007 | BJ | R2 | 3 | | VK012-VK020, VK131-VK140, VK181-VK190, VL001-VL010, VL751-VL790, VL911-VL930, VM001-VM050, VN231-VN240, VN301-VN340, VK421-VN490, VN546-VN550, VN634-VN650, VN791-VN810, VN921-VN930, VN951-VN960, VR461-VR461, VS051-VS052, VS176-VS177, VS196-VS199, VS261-VS262 |
| 211B | 24 | PW | D08032J | 47 | | 77-12-12 | TB0182X | C007 | BJ | R2 | 3 | | VK031-VK054 |
| 211B | 24 | PW | D08032J | 50 | | 77-12-12 | TB0182Y | C013 | BJ | R2 | 3 | | VK055-VK080, VK171-VK180, VR421-VR421, VR471-VR471 |
| 211B | 24 | PW | D08032J | 50 | | 77-12-12 | TB0182Y | C013 | BJ | R2 | 3 | | VK161-VK170, VL011-VL040, VL796-VL805, VL931-VL940, VN171-VN190, VN211-VN220, VN223-VN230, VN241-VN290, VN371-VN420, VN491-VN545, VN551-VN633, VN671-VN675, VN681-VN730, VN931-VN950, VN966-VN967, VN971-VN990, VS061-VS061, VS066-VS070, VS091-VS094, VS206-VS207 |
| 211B | 24 | PW | D08032J | 50 | | 77-12-12 | TB0182Y | C013 | BJ | R2 | 2 | | VL806-VL810 |
| 211B | 24 | PW | D08032J | 50 | | 77-12-13 | TB0182X | C014 | BJ | R2 | 2 | | VL871-VL880 |
| 211B | 24 | PW | D08032J | 50 | | 77-12-12 | TB0182X | D007 | BJ | R2 | 3 | | VL891-VL910 |
| 211B | 24 | PW | D08032J | 50 | | 77-12-12 | TB0158Y | C025 | BJ | R2 | 3 | | VN221-VN222 |
| 211B | 24 | PW | D08032J | 50 | | 77-12-12 | TB0182X | D007 | BJ | R2 | 2 | | VN968-VN970, VS073-VS073, VS131-VS132, VS266-VS268 |
| 211R | 24 | PL | D08032J | 50 | | 77-12-12 | TB0182X | D007 | BJ | R2 | | | VK001-VK011, VK021-VK030 |
| 211R | 24 | PW | D08032J | 47 | | 77-12-12 | TB0182X | C007 | BJ | R2 | | | VK012-VK020, VK131-VK140, VK181-VK190, VL001-VL010, VL751-VL790, VL911-VL930, VM001-VM050, VN231-VN240, VN301-VN340, VK421-VN490, VN546-VN550, VN634-VN650, VN791-VN810, VN921-VN930, VN951-VN960, VN968-VN970, VR461-VR461, VS051-VS052, VS073-VS073, VS131-VS132, VS176-VS177, VS196-VS199, VS261-VS262, VS266-VS268 |
| 211R | 24 | PW | D08032J | 50 | | 77-12-12 | TB0182X | D007 | BJ | R2 | | | VK031-VK054 |
| 211R | 24 | PW | D08032J | 47 | | 77-12-12 | TB0182Y | A013 | BJ | R2 | | | VK055-VK080, VK171-VK180, VR421-VR421, VR471-VR471 |

286T1080-300
Wire Bundle Assembly
Figure 114 (Sheet 66)

25-71-01

**COMPONENT
MAINTENANCE MANUAL**

| WIRE | | | FROM EQUIPMENT | | | | TO EQUIPMENT | | | | WIRE INFO | | | |
|--------|----|-----|----------------|------|----|----------|--------------|------|----|-------------|-----------|-------|---|--|
| NUMBER | GA | TYP | NUMBER | TERM | TT | WDM REF | NUMBER | TERM | TT | EMC/ SEP | FT | NOTES | EFFECTIVITY | |
| 211R | 24 | PW | D08032J | 47 | | 77-12-12 | TB0182Y | A013 | BJ | R2 | | | VK161-VK170, VL011-VL040, VL796-VL810, VL931-VL940, VN171-VN190, VN211-VN220, VN223-VN230, VN241-VN290, VN371-VN420, VN491-VN545, VN551-VN633, VN671-VN675, VN681-VN730, VN931-VN950, VN966-VN967, VN971-VN990, VS061-VS061, VS066-VS070, VS091-VS094, VS206-VS207 | |
| 211R | 24 | PW | D08032J | 47 | | 77-12-13 | TB0182X | B014 | BJ | R2 | | | VL871-VL880 | |
| 211R | 24 | PW | D08032J | 47 | | 77-12-12 | TB0182X | C007 | BJ | R2 | | | VL891-VL910 | |
| 211R | 24 | PW | D08032J | 47 | | 77-12-12 | TB0158Y | A025 | BJ | R2 | | | VN221-VN222 | |
| 211Z | | | D08032J | 56 | | 77-12-12 | TB0182X | C008 | BJ | R2 | | | VK012-VK020, VK031-VK054, VK131-VK140, VK181-VK190, VL001-VL010, VL751-VL790, VL911-VL930, VN001-VN050, VN231-VN240, VN301-VN340, VN421-VN490, VN546-VN550, VN634-VN650, VN791-VN810, VN921-VN930, VN951-VN960, VN968-VN970, VR461-VR461, VS051-VS052, VS073-VS073, VS131-VS132, VS176-VS177, VS196-VS199, VS261-VS262, VS266-VS268 | |
| 211Z | | | D08032J | 49 | | 77-12-12 | TB0182Y | REF | | R2 | | | VK055-VK080, VK171-VK180, VR421-VR421, VR471-VR471 | |
| 211Z | | | D08032J | 49 | | 77-12-12 | TB0182Y | REF | | R2 | | | VK161-VK170, VL796-VL810, VL931-VL940, VN174-VN190, VN213-VN220, VN223-VN230, VN242-VN290, VN371-VN420, VN491-VN545, VN551-VN633, VN671-VN675, VN681-VN730, VN931-VN950, VN966-VN967, VN971-VN990, VS061, VS066-VS070, VS091-VS094, VS206-VS207 | |
| 211Z | | | D08032J | 49 | | 77-12-12 | TB0182Y | A014 | BJ | R2 | | | VL011-VL040, VN171-VN173, VN211-VN212, VN241-VN241 | |
| 211Z | | | D08032J | 49 | | 77-12-13 | TB0182X | A014 | BJ | R2 | | | VL871-VL880 | |
| 211Z | | | D08032J | 56 | | 77-12-12 | TB0182X | C008 | BJ | R2 | | | VL891-VL910 | |
| 211Z | | | D08032J | 49 | | 77-12-12 | TB0158Z | 27 | BJ | R2 | | | VN221-VN222 | |
| 212B | 24 | PL | D05552J | 10 | | 77-12-12 | TB0248X | C016 | BJ | R2 | 3 | | VK001-VK011, VK021-VK030 | |
| 212B | 24 | PW | D05552J | 11 | | 77-12-12 | TB0248X | C005 | BJ | R2 | 3 | | VK012-VK020, VK131-VK140, VK181-VK190, VL001-VL010, VL751-VL790, VL911-VL930, VN001-VN050, VN231-VN240, VN301-VN340, VN421-VN490, VN546-VN550, VN634-VN650, VN791-VN810, VN921-VN930, VN951-VN960, VR461-VR461, VS051-VS052, VS176-VS177, VS196-VS199, VS261-VS262 | |
| 212B | 24 | PW | D05552J | 10 | | 77-12-12 | TB0248X | B005 | BJ | R2 | 3 | | VK031-VK054 | |

 286T1080-300
 Wire Bundle Assembly
 Figure 114 (Sheet 67)

25-71-01

 TESTING & FAULT ISOLATION
 01 Page 140V
 Nov 01/02



BOEING
COMPONENT
MAINTENANCE MANUAL

| WIRE | | | FROM EQUIPMENT | | | | TO EQUIPMENT | | | | WIRE INFO | | | |
|--------|----|-----|----------------|------|----|----------|--------------|------|----|-------------|-----------|-------|---|--|
| NUMBER | GA | TYP | NUMBER | TERF | TT | WDM REF | NUMBER | TERM | TT | EMC/ SEP | FT | NOTES | EFFECTIVITY | |
| 212B | 24 | PW | D0552J | 11 | | 77-12-12 | TB0248X | C005 | BJ | R2 | 3 | | VL891-VL910 | |
| 212B | 24 | PW | D0552J | 11 | | 77-12-12 | TB0248X | C005 | BJ | R2 | 2 | | VN968-VN970, VS073-VS073, VS131-VS132, VS266-VS268 | |
| 212R | 24 | PL | D0552J | 11 | | 77-12-12 | TB0248X | D016 | BJ | R2 | | | VK001-VK011, VK021-VK030 | |
| 212R | 24 | PW | D0552J | 10 | | 77-12-12 | TB0248X | B005 | BJ | R2 | | | VL012-VK020, VK131-VK140, VK181-VK190, VL001-VL010, VL751-VL790, VL911-VL930, VN001-VN050, VN231-VN240, VN301-VN340, VN421-VN490, VN546-VN550, VN634-VN650, VN791-VN810, VN921-VN930, VN951-VN960, VN968-VN970, VR461-VR461, VS051-VS052, VS073-VS073, VS131-VS132, VS176-VS177, VS196-VS199, VS261-VS262, VS266-VS268 | |
| 212R | 24 | PW | D0552J | 11 | | 77-12-12 | TB0248X | C005 | BJ | R2 | | | VK031-VK054 | |
| 212R | 24 | PW | D0552J | 10 | | 77-12-12 | TB0248X | B005 | BJ | R2 | | | VL891-VL910 | |
| 212Z | | | D0552J | 12 | | 77-12-12 | TB0248X | A005 | BJ | R2 | | | VK012-VK020, VK031-VK054, VK131-VK140, VK181-VK190, VL001-VL010, VL751-VL790, VL911-VL930, VN001-VN050, VN231-VN240, VN301-VN340, VN421-VN490, VN546-VN550, VN634-VN650, VN791-VN810, VN921-VN930, VN951-VN960, VN968-VN970, VR461-VR461, VS051-VS052, VS073-VS073, VS131-VS132, VS176-VS177, VS196-VS199, VS261-VS262, VS266-VS268 | |
| 212Z | | | D0552J | 12 | | 77-12-12 | TB0248X | A005 | BJ | R2 | | | VL891-VL910 | |
| 217 | 24 | PK | D05766J | 31 | | 36-11-62 | D01876 | 17 | | R2 | 3 | | VK012-VK020, VK131-VK140, VK161-VK170, VK181-VK190, VL001-VL040, VL751-VL790, VL796-VL805, VL891-VL930, VN171-VN190, VN211-VN220, VN231-VN290, VN301-VN340, VN371-VN490, VN531-VN650, VN791-VN810, VN921-VN930, VN951-VN960, VR461-VR461, VS051-VS052, VS061-VS061, VS066-VS070, VS176-VS177, VS261-VS262 | |
| 217 | 24 | PK | D01876 | 17 | | 36-11-62 | D05766J | 31 | | R2 | 3 | | VK055-VK080, VK171-VK180, VL931-VL940, VN001-VN050, VN221-VN230, VN491-VN530, VN671-VN675, VN681-VN730, VN931-VN950, VN966-VN967, VN971-VN990, VR421-VR421, VR471-VR471, VS091-VS094, VS196-VS199, VS206-VS207 | |
| 217 | 24 | PK | D05766J | 31 | | 36-11-62 | D01876 | 17 | | R2 | 2 | | VL806-VL810, VS073-VS073, VS266-VS268 | |
| 217 | 24 | PK | D01876 | 17 | | 36-11-62 | D05766J | 31 | | R2 | 2 | | VN968-VN970, VS131-VS132 | |
| 217B | 24 | PW | D04809J | 20 | | 36-11-62 | D05766J | 10 | | R2 | 1 | | VL871-VL880 | |

286T1080-300
Wire Bundle Assembly
Figure 114 (Sheet 68)

25-71-01

| WIRE | | FROM EQUIPMENT | | | TO EQUIPMENT | | | WIRE INFO | | | |
|--------|----|----------------|---------|---------|--------------|---------|---------|-----------|----|-------|--|
| NUMBER | GA | TYP | NUMBER | TERM TT | WDM REF | NUMBER | TERM TT | EMC/ SEP | FT | NOTES | EFFECTIVITY |
| 217R | 24 | PW | D04809J | 19 | 36-11-62 | D05766J | 9 | R2 | | | VL871-VL880 |
| 217Z | 24 | PW | D04809J | 21 | 36-11-62 | D05766J | 8 | R2 | | | VL871-VL880 |
| 218B | 24 | PW | D08032J | 14 | 77-12-12 | TB0182Y | C013 BJ | R2 | 3 | | VK055-VK080, VK171-VK180, VR421-VR421-VR421, VR471-VR471-VR471 |
| 218B | 24 | PW | D08032J | 14 | 77-12-12 | TB0182Y | C013 BJ | R2 | 3 | | VK161-VK170, VL011-VL040, VL796-VL805, VL931-VL940, VN171-VN190, VN211-VN220, VN223-VN230, VN241-VN290, VN371-VN420, VN491-VN545, VN551-VN633, VN671-VN675, VN681-VN730, VN931-VN950, VN966-VN967, VN971-VN990, VS061-VS061, VS066-VS070, VS091-VS094, VS206-VS207 |
| 218B | 24 | PW | D08032J | 14 | 77-12-12 | TB0182Y | C013 BJ | R2 | 2 | | VL806-VL810 |
| 218B | 24 | PW | D05552J | 11 | 77-12-13 | TB0182X | C013 BJ | R2 | 2 | | VL871-VL880 |
| 218B | 24 | PW | D08032J | 14 | 77-12-12 | TB0182Y | C025 BJ | R2 | 3 | | VN221-VN222 |
| 218R | 24 | PW | D08032J | 13 | 77-12-12 | TB0182Y | A013 BJ | R2 | | | VK055-VK080, VK171-VK180, VR421-VR421, VR471-VR471 |
| 218R | 24 | PW | D08032J | 13 | 77-12-12 | TB0182Y | A013 BJ | R2 | | | VK161-VK170, VL011-VL040, VL796-VL810, VL931-VL940, VN171-VN190, VN211-VN220, VN223-VN230, VN241-VN290, VN371-VN420, VN491-VN545, VN551-VN633, VN671-VN675, VN681-VN730, VN931-VN950, VN966-VN967, VN971-VN990, VS061-VS061, VS066-VS070, VS091-VS094, VS206-VS207 |
| 218R | 24 | PW | D05552J | 10 | 77-12-13 | TB0182X | B013 BJ | R2 | | | VL871-VL880 |
| 218R | 24 | PW | D08032J | 13 | 77-12-12 | TB0182Y | A025 BJ | R2 | | | VN221-VN222 |
| 218Z | | | D08032J | 15 | 77-12-12 | TB0182Y | REF | R2 | | | VK055-VK080, VK171-VK180, VR421-VR421, VR471-VR471 |
| 218Z | | | D08032J | 15 | 77-12-12 | TB0182Y | REF | R2 | | | VK161-VK170, VL796-VL810, VL931-VL940, VN171-VN190, VN213-VN220, VN223-VN230, VN242-VN290, VN371-VN420, VN491-VN545, VN551-VN633, VN671-VN675, VN681-VN730, VN931-VN950, VN966-VN967, VN971-VN990, VS061-VS061, VS066-VS070, VS091-VS094, VS206-VS207 |
| 218Z | | | D08032J | 15 | 77-12-12 | TB0182Y | A014 BJ | R2 | | | VL011-VL040, VN171-VN173, VN211-VN212, VN241-VN241 |
| 218Z | | | D05552J | 12 | 77-12-13 | TB0182X | A013 BJ | R2 | | | VL871-VL880 |
| 218Z | | | D08032J | 15 | 77-12-12 | TB0182Y | 27 BJ | R2 | | | VN221-VN222 |
| 219B | 22 | PB | D05644J | 37 | 36-11-52 | D08032J | 10 | R2 | 1 | | VL871-VL880 |
| 219R | 22 | PB | D05644J | 36 | 36-11-52 | D08032J | 9 | R2 | | | VL871-VL880 |

286T1080-300
Wire Bundle Assembly
Figure 114 (Sheet 69)

25-71-01



BOEING
COMPONENT
MAINTENANCE MANUAL

| WIRE | | | FROM EQUIPMENT | | | TO EQUIPMENT | | | WIRE INFO | | | |
|--------|----|-----|----------------|------|----|--------------|------|----|-------------|----|----------------------------|---|
| NUMBER | GA | TYP | NUMBER | TERM | TT | NUMBER | TERM | TT | EMC/ SEP | FT | NOTES | EFFECTIVITY |
| 221 | 22 | PA | D05644J | 30 | | TB0158G | 16 | 2 | R2 | 4 | | VK012-VK020, VK023-VK030, VK134-VK140, VK162-VK170, VK181-VK190, VL751-VL790, VL796-VL805, VL911-VL940, VN029-VN050, VN174-VN190, VN213-VN220, VN235-VN240, VN244-VN250, VN263-VN290, VN309-VN340, VN373-VN375, VN377-VN380, VN384-VN470, VN473-VN490, VN506-VN530, VN533-VN535, VN538-VN540, VN543-VN550, VN552-VN555, VN558-VN630, VN686-VN730, VN793-VN810, VN921-VN960, VN966-VN967, VN971-VN990, VR461-VR461, VS051-VS052, VS061-VS061, VS066-VS070, VS091-VS094, VS176-VS177, VS196-VS199, VS206-VS207, VS261-VS262 |
| 221 | 22 | PA | D05644J | 30 | | TB0158G | 16 | 2 | R2 | 4 | MLA-F2 MNU-T2 ZSZ-B6 | VK021-VK022, VK161-VK161, VN001-VN028, VN371-VN372, VN382-VN383, VN471-VN472, VN491-VN505, VN791-VN792 |
| 221 | 22 | PA | D05644J | 30 | | TB0158G | 16 | 2 | R2 | 4 | | VK055-VK080, VK171-VK180, VR421-VR421, VR471-VR471 |
| 221 | 22 | PA | D05644J | 30 | | TB0158G | 16 | 2 | R2 | 2 | | VL871-VL880, VN968-VN970, VS073-VS073, VS131-VS132, VS266-VS268 |
| 221 | 22 | PA | D05644J | 30 | | TB0158G | 16 | 2 | R2 | 4 | MLA-F2 MNZ-T2 | VN631-VN635 |
| 248 | 22 | PA | D01876 | 65 | | SM00007 | | W | R2 | 3 | | VK012-VK020, VK055-VK080, VK131-VK140, VK161-VK190, VL001-VL040, VL751-VL790, VL796-VL805, VL891-VL940, VN001-VN050, VN171-VN190, VN211-VN290, VN301-VN340, VN371-VN650, VN671-VN675, VN681-VN730, VN791-VN810, VN921-VN960, VN966-VN967, VN971-VN990, VR421-VR421, VR461-VR461, VR471-VR471, VS051-VS052, VS061-VS061, VS066-VS070, VS091-VS094, VS176-VS177, VS196-VS199, VS206-VS207, VS261-VS262 |
| 248 | 22 | PA | D01876 | 65 | | SM00007 | | W | R2 | 1 | | VL806-VL810, VN968-VN970, VS073-VS073, VS131-VS132, VS266-VS268 |

286T1080-300
Wire Bundle Assembly
Figure 114 (Sheet 70)

25-71-01

| WIRE | | FROM EQUIPMENT | | | TO EQUIPMENT | | | WIRE INFO | | | | | |
|--------|----|----------------|--------|------|--------------|----------|----------|-----------|----|-------------|----|-------|---|
| NUMBER | GA | TYP | NUMBER | TERM | FT | WDM REF | NUMBER | TERM | TT | EMC/ SEP | FT | NOTES | EFFECTIVITY |
| 249 | 22 | PA | D01876 | 34 | | 36-11-62 | SM000007 | | W | R2 | 3 | | VK012-VK020, VK055-VK080, VK131-VK140, VK161-VK190, VL001-VL040, VL751-VL790, VL796-VL805, VL891-VL940, VN001-VN050, VN171-VN190, VN211-VN290, VN301-VN340, VN371-VN650, VN671-VN675, VN681-VN730, VN791-VN810, VN921-VN960, VN966-VN967, VN971-VN990, VR421-VR461, VR471-VR471, VS051-VS052, VS061-VS199, VS206-VS207, VS261-VS262 |
| 249 | 22 | PA | D01876 | 34 | | 36-11-62 | SM000007 | | W | R2 | 1 | | VL806-VL810, VN968-VN970, VS073-VS073, VS131-VS132, VS266-VS268 |
| 301B | 24 | PM | D02676 | 12 | | 27-58-21 | D08032J | 22 | | R2 | 3 | | VK001-VK080, VK131-VK140, VK161-VK190, VL001-VL040, VL751-VL790, VL796-VL805, VL891-VL940, VN001-VN050, VN171-VN190, VN211-VN290, VN301-VN340, VN371-VN650, VN671-VN675, VN681-VN730, VN791-VN810, VN921-VN960, VN966-VN967, VN971-VN990, VR421-VR461, VR471-VR471, VS051-VS052, VS061-VS066-VS070, VS091-VS094, VS176-VS177, VS196-VS199, VS206-VS207, VS261-VS262 |
| 301B | 24 | PM | D02676 | 12 | | 27-58-21 | D08032J | 22 | | R2 | 2 | | VL806-VL810, VL871-VL880, VN968-VN970, VS073-VS073, VS131-VS132, VS266-VS268 |
| 301R | 24 | PM | D02676 | 13 | | 27-58-21 | D08032J | 23 | | R2 | | | |
| 301Y | 24 | PM | D02676 | 11 | | 27-58-21 | D08032J | 24 | | R2 | | | |
| 304B | 24 | PM | D02676 | 32 | | 27-58-21 | D04887J | 32 | | R2 | 3 | | VK001-VK080, VK131-VK140, VK161-VK190, VL001-VL040, VL751-VL790, VL796-VL805, VL891-VL940, VN001-VN050, VN171-VN190, VN211-VN290, VN301-VN340, VN371-VN650, VN671-VN675, VN681-VN730, VN791-VN810, VN921-VN960, VN966-VN967, VN971-VN990, VR421-VR461, VR471-VR471, VS051-VS052, VS061-VS066-VS070, VS091-VS094, VS176-VS177, VS196-VS199, VS206-VS207, VS261-VS262 |
| 304B | 24 | PM | D02676 | 32 | | 27-58-21 | D04887J | 32 | | R2 | 1 | | VL806-VL810, VL871-VL880, VN968-VN970, VS073-VS073, VS131-VS132, VS266-VS268 |
| 304R | 24 | PM | D02676 | 33 | | 27-58-21 | D04887J | 33 | | R2 | | | |
| 304Y | 24 | PM | D02676 | 34 | | 27-58-21 | D04887J | 34 | | R2 | | | |

286T1080-300
Wire Bundle Assembly
Figure 114 (Sheet 71)

25-71-01



BOEING
COMPONENT
MAINTENANCE MANUAL

| WIRE | | FROM EQUIPMENT | | | TO EQUIPMENT | | | WIRE INFO | | | | | |
|--------|----|----------------|--------|------|--------------|----------|---------|-----------|----|---------|----|-------|--|
| NUMBER | GA | TYP | NUMBER | TERM | TT | WDM REF | NUMBER | TERM | TT | EMC/SEP | FT | NOTES | EFFECTIVITY |
| 400 | 24 | PK | D02162 | 5 | | SPARE | D08032J | 59 | | R2 | 3 | | VL011-VL011, VN171-VN190, VN251-VN290, VS061-VS061, VS066-VS070 |
| 400 | 24 | PK | D02162 | CAP | Y | SPARE | D08032J | 59 | | R2 | 2 | | VS073-VS073 |
| 401 | 24 | PK | D02162 | 9 | | SPARE | D08032J | 9 | | R2 | 3 | | VL011-VL011, VN171-VN190, VN251-VN290, VS061-VS061, VS066-VS070 |
| 401 | 24 | PK | D02162 | CAP | Y | SPARE | D08032J | 9 | | R2 | 2 | | VS073-VS073 |
| 402 | 24 | PK | D02162 | 10 | | SPARE | TB0182X | C015 | BJ | R2 | 3 | | VL011-VL011, VN171-VN190, VS061-VS061 |
| 403 | 24 | PK | D02162 | 12 | | SPARE | D08032J | 12 | | R2 | 3 | | VL011-VL011, VN171-VN190, VN251-VN290, VS061-VS061, VS066-VS070 |
| 403 | 24 | PK | D02162 | CAP | Y | SPARE | D08032J | 12 | | R2 | 2 | | VS073-VS073 |
| 404 | 24 | PK | D02162 | 15 | | SPARE | TB0182X | A015 | BJ | R2 | 3 | | VL011-VL011, VN171-VN190, VS061-VS061 |
| 405 | 22 | PA | D02162 | 16 | | SPARE | GDX0002 | D.. | 2 | R2 | 3 | | VL011-VL011, VN171-VN190, VN251-VN290, VS061-VS061, VS066-VS070 |
| 405 | 22 | PA | D02162 | CAP | Y | SPARE | GDX0002 | D.. | 2 | R2 | 2 | | VS073-VS073 |
| 406 | 24 | PK | D02162 | 18 | | SPARE | TB0182X | B015 | BJ | R2 | 3 | | VL011-VL011, VN171-VN190, VS061-VS061 |
| 407 | 24 | PK | D02162 | 38 | | SPARE | D08032J | 60 | | R2 | 3 | | VL011-VL011, VN171-VN190, VN251-VN290, VS061-VS061, VS066-VS070 |
| 408 | 24 | PK | D02162 | 49 | | SPARE | TB0182X | D015 | BJ | R2 | 3 | | VL011-VL011, VN171-VN190, VS061-VS061 |
| 409 | 24 | PK | D02162 | 52 | | SPARE | D08032J | 10 | | R2 | 3 | | VL011-VL011, VN171-VN190, VN251-VN290, VS061-VS061, VS066-VS070 |
| 409 | 24 | PK | D02162 | CAP | Y | SPARE | D08032J | 10 | | R2 | 2 | | VS073-VS073 |
| 438 | 24 | PV | D02162 | 41 | | 73-21-12 | TB0248Z | 5 | BJ | R2 | 4 | | VK055-VK080, VK171-VK180, VL931-VL940, VN221-VN230, VN491-VN530, VN671-VN675, VN681-VN730, VN931-VN950, VN966-VN967, VN971-VN990, VR421-VR421, VR471-VR471, VS091-VS094, VS206-VS207 |
| 438 | 24 | PV | D02162 | 41 | | 73-21-12 | TB0248Z | 5 | BJ | R2 | 3 | | VK161-VK170, VL011-VL040, VL796-VL805, VN171-VN190, VN211-VN220, VN241-VN290, VN371-VN420, VN531-VN545, VN551-VN633, VS061-VS061, VS066-VS070 |
| 438 | 24 | PV | D02162 | 41 | | 73-21-12 | TB0248Z | 5 | BJ | R2 | 2 | | VL806-VL810 |

286T1080-300
Wire Bundle Assembly
Figure 114 (Sheet 72)

25-71-01

TESTING & FAULT ISOLATION

01

Page 141

Nov 01/02

| WIRE | | FROM EQUIPMENT | | | TO EQUIPMENT | | | WIRE INFO | | | | | |
|--------|----|----------------|---------|------|--------------|----------|---------|-----------|----|---------|----|-------|---|
| NUMBER | GA | TYP | NUMBER | TERM | TT | WDM REF | NUMBER | TERM | TT | EMC/SEP | FT | NOTES | EFFECTIVITY |
| 438F | 20 | UA | D02162 | | | 73-21-12 | GDX0002 | S.. | 2 | R2 | 4 | | VK055-VK080, VK161-VK180, VL011-VL040, VL796-VL805, VL931-VL940, VN171-VN190, VN211-VN220, VN241-VN290, VN371-VN420, VN491-VN545, VN551-VN633, VN671-VN675, VN681-VN730, VN931-VN950, VR421-VR471-VR471, VS061-VS061, VS066-VS070, VS091-VS094, VS206-VS207 |
| 438F | 20 | UA | D02162 | | | 73-21-12 | GDX0002 | S.. | 2 | R2 | 2 | | VL806-VL810 |
| 438F | 20 | UA | D02162 | | | 73-21-12 | GDX0002 | S.. | 2 | R2 | 4 | | VK055-VK080, VK161-VK180, VL011-VL040, VL796-VL810, VL931-VL940, VN171-VN190, VN211-VN220, VN230, VN241-VN290, VN371-VN420, VN491-VN545, VN551-VN633, VN671-VN675, VN681-VN730, VN931-VN950, VR421-VR471, VS061-VS061, VS066-VS070, VS091-VS094, VS206-VS207 |
| 438Z | | | D02162 | | | 73-21-12 | TB0248Z | 6 | BJ | R2 | | | VL806-VL810 |
| 438Z | 24 | PK | D05644J | | | 73-21-12 | TB0248Z | 6 | BJ | R2 | | | VN221-VN222 |
| 500 | 24 | PK | D05644J | 40 | | 21-58-11 | D01872 | 1 | | R2 | 3 | | VK001-VK080, VK131-VK140, VK161-VK190, VL001-VL040, VL751-VL790, VL796-VL805, VL891-VL940, VN001-VN050, VN171-VN190, VN211-VN290, VN301-VN340, VN371-VN650, VN671-VN675, VN681-VN730, VN791-VN810, VN921-VN960, VN966-VN967, VN971-VN990, VR421-VR421, VR461-VR461, VR471-VR471, VS051-VS052, VS061-VS061, VS066-VS070, VS091-VS094, VS176-VS177, VS196-VS199, VS206-VS207, VS261-VS262 |
| 500 | 24 | PK | D05644J | 40 | | 21-58-11 | D01872 | 1 | | R2 | 1 | | VL806-VL810, VL871-VL880, VN968-VN970, VS073-VS073, VS131-VS132, VS266-VS268 |
| 502 | 24 | PK | D02162 | 65 | | 34-61-13 | TB0158G | 1 | 2 | R2 | 4 | | VK001-VK009, VK021-VK022 |
| 502 | 24 | PK | D02162 | 65 | | 34-61-13 | TB0158Y | A003 | BJ | R2 | 3 | | VK010-VK011, VK023-VK030 |
| 502 | 24 | PK | D02162 | 57 | | 34-61-13 | TB0158Y | A003 | BJ | R2 | 3 | | VK055-VK080, VK171-VK180, VL931-VL940, VN223-VN230, VN371-VN420, VN491-VN530, VN671-VN675, VN681-VN730, VN931-VN950, VN966-VN967, VN971-VN990, VR421-VR421, VR471-VR471, VS091-VS094, VS206-VS207 |
| 502 | 24 | PK | D02162 | 57 | | 34-61-13 | TB0158Y | A003 | BJ | R2 | 3 | | VK161-VK170, VL012-VL040, VL796-VL805, VN174-VN190, VN213-VN220, VN242-VN290, VN531-VN545, VN551-VN633, VS061-VS061, VS066-VS070 |

 286T1080-300
 Wire Bundle Assembly
 Figure 114 (Sheet 73)

25-71-01



BOEING
COMPONENT
MAINTENANCE MANUAL

| WIRE | | FROM EQUIPMENT | | | TO EQUIPMENT | | | WIRE INFO | | | | | |
|--------|----|----------------|--------|------|--------------|----------|---------|-----------|----|---------|----|-------|--|
| NUMBER | GA | TYP | NUMBER | TERM | TT | WDM REF | NUMBER | TERM | TT | EMC/SEP | FT | NOTES | EFFECTIVITY |
| 502 | 24 | PK | D02162 | 57 | | 34-61-13 | TB0158G | 1 | 2 | R2 | 4 | | VL011-VL011, VN171-VN173, VN211-VN212, VN241-VN241 |
| 502 | 24 | PK | D02162 | 57 | | 34-61-13 | TB0158Y | A003 | BJ | R2 | 2 | | VL806-VL810, VL871-VL880 |
| 502 | 24 | PK | D02162 | 57 | | 34-61-13 | TB0158G | 1 | 2 | R2 | 3 | | VN221-VN222 |
| 503 | 24 | PK | D02162 | 59 | | 34-61-13 | TB0158G | 18 | 2 | R2 | 4 | | VK001-VK011, VK021-VK030 |
| 503 | 24 | PK | D02162 | 55 | | 34-61-13 | TB0158G | 18 | 2 | R2 | 4 | | VK055-VK080, VK171-VK180, VL931-VL940, VN221-VN230, VN491-VN530, VN671-VN675, VN681-VN730, VN931-VN950, VN966-VN967, VN971-VN990, VR421-VR421, VR471-VR471, VS091-VS094, VS206-VS207 |
| 503 | 24 | PK | D02162 | 55 | | 34-61-13 | TB0158G | 18 | 2 | R2 | 4 | | VK161-VK170, VL011-VL040, VL796-VL805, VN171-VN190, VN211-VN220, VN241-VN290, VN371-VN420, VN531-VN545, VN551-VN633, VS061-VS061, VS066-VS070 |
| 503 | 24 | PK | D02162 | 55 | | 34-61-13 | TB0158G | 18 | 2 | R2 | 2 | | VL806-VL810, VL871-VL880 |
| 504 | 24 | PK | D02162 | 22 | | 34-61-13 | TB0158G | 21 | 2 | R2 | 4 | | VK001-VK011, VK021-VK030 |
| 504 | 24 | PK | D02162 | 1 | | 34-61-13 | TB0158G | 21 | 2 | R2 | 4 | | VK055-VK080, VK171-VK180, VL931-VL940, VN221-VN230, VN491-VN530, VN671-VN675, VN681-VN730, VN931-VN950, VN966-VN967, VN971-VN990, VR421-VR421, VR471-VR471, VS091-VS094, VS206-VS207 |
| 504 | 24 | PK | D02162 | 1 | | 34-61-13 | TB0158G | 21 | 2 | R2 | 4 | | VK161-VK170, VL011-VL040, VL796-VL805, VN171-VN190, VN211-VN220, VN241-VN290, VN371-VN420, VN531-VN545, VN551-VN633, VS061-VS061, VS066-VS070 |
| 504 | 24 | PK | D02162 | 1 | | 34-61-13 | TB0158G | 21 | 2 | R2 | 2 | | VL806-VL810, VL871-VL880 |
| 505 | 24 | PK | D02162 | 14 | | 34-61-13 | TB0158G | 22 | 2 | R2 | 4 | | VK001-VK011, VK021-VK030 |
| 505 | 24 | PK | D02162 | 21 | | 34-61-13 | TB0158G | 22 | 2 | R2 | 4 | | VK055-VK080, VK171-VK180, VL931-VL940, VN221-VN230, VN491-VN530, VN671-VN675, VN681-VN730, VN931-VN950, VN966-VN967, VN971-VN990, VR421-VR421, VR471-VR471, VS091-VS094, VS206-VS207 |
| 505 | 24 | PK | D02162 | 21 | | 34-61-13 | TB0158G | 22 | 2 | R2 | 4 | | VK161-VK170, VL011-VL040, VL796-VL805, VN171-VN190, VN211-VN220, VN241-VN290, VN371-VN420, VN531-VN545, VN551-VN633, VS061-VS061, VS066-VS070 |
| 505 | 24 | PK | D02162 | 21 | | 34-61-13 | TB0158G | 22 | 2 | R2 | 2 | | VL806-VL810, VL871-VL880 |
| 506 | 24 | PK | D02162 | 43 | | 34-61-13 | TB0158G | 23 | 2 | R2 | 4 | | VK001-VK011, VK021-VK030 |

286T1080-300
Wire Bundle Assembly
Figure 114 (Sheet 74)

25-71-01

| WIRES | | FROM EQUIPMENT | | | | TO EQUIPMENT | | | | WIRES INFO | | | |
|--------|----|----------------|---------|------|----|--------------|---------|------|----|------------|----|-------|--|
| NUMBER | GA | TYP | NUMBER | TERM | TT | WDM REF | NUMBER | TERM | TT | EMC/SEP | FT | NOTES | EFFECTIVITY |
| 506 | 24 | PK | D02162 | 29 | | 34-61-13 | TB0158G | 23 | 2 | R2 | 4 | | VK055-VK080, VK171-VK180, VL931-VL940, VN221-VN230, VN491-VN530, VN671-VN675, VN681-VN730, VN931-VN950, VN966-VN967, VN971-VN990, VR421-VR421, VR471-VR471, VS091-VS094, VS206-VS207 |
| 506 | 24 | PK | D02162 | 29 | | 34-61-13 | TB0158G | 23 | 2 | R2 | 4 | | VK161-VK170, VL011-VL040, VL796-VL805, VN171-VN190, VN211-VN220, VN241-VN290, VN371-VN420, VN531-VN545, VN551-VN633, VS061-VS061, VS066-VS070 |
| 506 | 24 | PK | D02162 | 29 | | 34-61-13 | TB0158G | 23 | 2 | R2 | 2 | | VL806-VL810, VL871-VL880 |
| 507 | 24 | PK | TB0158G | 1 | 2 | 34-61-23 | D04809J | 1 | | R2 | 3 | | VK001-VK009, VK021-VK022, VK031-VK045, VL001-VL006, VL011-VL011, VN001-VN015, VN171-VN173, VN211-VN212, VN221-VN222, VN231-VN232, VN241-VN241 |
| 507 | 24 | PK | TB0158Y | A003 | BJ | 34-61-23 | D04809J | 1 | | R2 | 3 | | VK010-VK020, VK023-VK030, VK046-VK054, VK131-VK140, VK161-VK170, VK181-VK190, VL007-VL010, VL012-VL040, VL751-VL790, VL796-VL805, VL911-VL940, VN016-VN050, VN174-VN190, VN213-VN220, VN223-VN230, VN233-VN240, VN242-VN290, VN301-VN340, VN371-VN650, VN671-VN675, VN681-VN730, VN791-VN810, VN921-VN960, VN966-VN967, VN971-VN990, VR461-VR461, VS051-VS052, VS061-VS061, VS066-VS070, VS091-VS094, VS176-VS177, VS196-VS199, VS206-VS207, VS261-VS262 |
| 507 | 24 | PK | TB0158Y | A003 | BJ | 34-61-23 | D04809J | 1 | | R2 | 3 | | VK055-VK080, VK171-VK180, VL891-VL910, VR421-VR421, VR471-VR471 |
| 507 | 24 | PK | TB0158Y | A003 | BJ | 34-61-23 | D04809J | 1 | | R2 | 2 | | VL806-VL810, VL871-VL880, VN968-VN970, VS073-VS073, VS131-VS132, VS266-VS268 |
| 508 | 24 | PK | TB0158G | 18 | 2 | 34-61-23 | D04809J | 2 | | R2 | 3 | | VK001-VK054, VK131-VK140, VK161-VK170, VK181-VK190, VL001-VL040, VL751-VL790, VL796-VL805, VL911-VL940, VN001-VN050, VN171-VN190, VN211-VN290, VN301-VN340, VN371-VN650, VN671-VN675, VN681-VN730, VN791-VN810, VN921-VN960, VN966-VN967, VN971-VN990, VR461-VR461, VS051-VS052, VS061-VS061, VS066-VS070, VS091-VS094, VS176-VS177, VS196-VS199, VS206-VS207, VS261-VS262 |
| 508 | 24 | PK | TB0158G | 18 | 2 | 34-61-23 | D04809J | 2 | | R2 | 3 | | VK055-VK080, VK171-VK180, VL891-VL910, VR421-VR421, VR471-VR471 |

286T1080-300
Wire Bundle Assembly
Figure 114 (Sheet 75)

25-71-01



BOEING
COMPONENT
MAINTENANCE MANUAL

| WIRE | | FROM EQUIPMENT | | | TO EQUIPMENT | | | WIRE INFO | | | | | |
|--------|----|----------------|---------|------|--------------|----------|---------|-----------|----|---------|----|-------|---|
| NUMBER | GA | TYP | NUMBER | TERM | TT | WDM REF | NUMBER | TERM | TT | EMC/SEP | FT | NOTES | EFFECTIVITY |
| 508 | 24 | PK | TB0158G | 18 | 2 | 34-61-23 | D04809J | 2 | | R2 | 2 | | VL806-VL810, VL871-VL880, VN968-VN970, VS073-VS073, VS131-VS132, VS266-VS268 |
| 509 | 24 | PK | TB0158G | 21 | 2 | 34-61-23 | D04809J | 3 | | R2 | 3 | | VK001-VK054, VK131-VK140, VK161-VK170, VK181-VK190, VL001-VL040, VL751-VL790, VL796-VL805, VL911-VL940, VN001-VN050, VN171-VN190, VN211-VN290, VN301-VN340, VN371-VN650, VN671-VN675, VN681-VN730, VN791-VN810, VN921-VN960, VN966-VN967, VN971-VN990, VR461-VR461 VS051-VS052, VS061-VS061, VS066-VS070, VS091-VS094, VS176-VS177, VS196-VS199, VS206-VS207, VS261-VS262 |
| 509 | 24 | PK | TB0158G | 21 | 2 | 34-61-23 | D04809J | 3 | | R2 | 3 | | VK055-VK080, VK171-VK180, VL891-VL910, VR421-VR421, VR471-VR471 |
| 509 | 24 | PK | TB0158G | 21 | 2 | 34-61-23 | D04809J | 3 | | R2 | 2 | | VL806-VL810, VL871-VL880, VN968-VN970, VS073-VS073, VS131-VS132, VS266-VS268 |
| 510 | 24 | PK | TB0158G | 22 | 2 | 34-61-23 | D04809J | 4 | | R2 | 3 | | VK001-VK054, VK131-VK140, VK161-VK170, VK181-VK190, VL001-VL040, VL751-VL790, VL796-VL805, VL911-VL940, VN001-VN050, VN171-VN190, VN211-VN290, VN301-VN340, VN371-VN650, VN671-VN675, VN681-VN730, VN791-VN810, VN921-VN960, VN966-VN967, VN971-VN990, VR461-VR461 VS051-VS052, VS061-VS061, VS066-VS070, VS091-VS094, VS176-VS177, VS196-VS199, VS206-VS207, VS261-VS262 |
| 510 | 24 | PK | TB0158G | 22 | 2 | 34-61-23 | D04809J | 4 | | R2 | 3 | | VK055-VK080, VK171-VK180, VL891-VL910, VR421-VR421, VR471-VR471 |
| 510 | 24 | PK | TB0158G | 22 | 2 | 34-61-23 | D04809J | 4 | | R2 | 2 | | VL806-VL810, VL871-VL880, VN968-VN970, VS073-VS073, VS131-VS132, VS266-VS268 |
| 511 | 24 | PK | TB0158G | 23 | 2 | 34-61-23 | D04809J | 5 | | R2 | 3 | | VK001-VK054, VK131-VK140, VK161-VK170, VK181-VK190, VL001-VL040, VL751-VL790, VL796-VL805, VL911-VL940, VN001-VN050, VN171-VN190, VN211-VN290, VN301-VN340, VN371-VN650, VN671-VN675, VN681-VN730, VN791-VN810, VN921-VN960, VN966-VN967, VN971-VN990, VR461-VR461 VS051-VS052, VS061-VS061, VS066-VS070, VS091-VS094, VS176-VS177, VS196-VS199, VS206-VS207, VS261-VS262 |

286T1080-300
Wire Bundle Assembly
Figure 114 (Sheet 76)

25-71-01

| WIRE | | FROM EQUIPMENT | | | TO EQUIPMENT | | | WIRE INFO | | | | | |
|--------|----|----------------|---------|------|--------------|----------|---------|-----------|----|-----------|----|-------|---|
| NUMBER | GA | TYP | NUMBER | TERM | TT | WDM REF | NUMBER | TERM | TT | EMC / SEP | FT | NOTES | EFFECTIVITY |
| 511 | 24 | PK | TB0158G | 23 | 2 | 34-61-23 | D04809J | 5 | | R2 | 3 | | VK055-VK080, VK171-VK180, VL891-VL910, VR421-VR421, VR471-VR471 |
| 511 | 24 | PK | TB0158G | 23 | 2 | 34-61-23 | D04809J | 5 | | R2 | 2 | | VL806-VL810, VL871-VL880, VN968-VN970, VS073-VS073, VS131-VS132, VS266-VS268 |
| 512 | 24 | PV | TB0182Y | A005 | BJ | 34-61-23 | D04809J | 6 | | L2 | 3 | | VK001-VK054, VK131-VK140, VK161-VK170, VK181-VK190, VL001-VL040, VL751-VL790, VL796-VL805, VL911-VL940, VN001-VN050, VN171-VN190, VN211-VN290, VN301-VN340, VN371-VN650, VN671-VN675, VN681-VN730, VN791-VN810, VN921-VN960, VN966-VN967, VN971-VN990, VR461-VR461 VS051-VS052, VS061-VS061, VS066-VS070, VS091-VS094, VS176-VS177, VS196-VS199, VS206-VS207, VS261-VS262 |
| 512 | 24 | PV | TB0182Y | A005 | BJ | 34-61-23 | D04809J | 6 | | L2 | 3 | | VK055-VK080, VK171-VK180, VL891-VL910, VR421-VR421, VR471-VR471 |
| 512Z | 24 | PV | TB0182Y | A005 | BJ | 34-61-23 | D04809J | 6 | | L2 | 2 | | VL806-VL810, VL871-VL880, VN968-VN970, VS073-VS073, VS131-VS132, VS266-VS268 |
| 512Z | 24 | PV | TB0182Y | DED | DED | 34-61-23 | TB0182Y | DED | | R2 | | | VK001-VK054, VK131-VK140, VK161-VK170, VK181-VK190, VL001-VL040, VL751-VL790, VL796-VL810, VL871-VL880, VL911-VL940, VN001-VN050, VN171-VN190, VN211-VN290, VN301-VN340, VN371-VN650, VN671-VN675, VN681-VN730, VN791-VN810, VN921-VN960, VN966-VN990, VR461-VR461 VS051-VS052, VS061-VS061, VS066-VS070, VS073-VS073, VS091-VS094, VS131-VS132, VS176-VS177, VS196-VS199, VS206-VS207, VS261-VS262 |
| 512Z | 24 | PV | TB0182Y | DED | DED | 34-61-23 | TB0182Y | DED | | R2 | | | VK055-VK080, VK171-VK180, VL891-VL910, VR421-VR421, VR471-VR471 |
| 513 | 24 | PV | TB0182Y | A004 | BJ | 34-61-23 | D04809J | 7 | | L2 | 3 | | VK001-VK054, VK131-VK140, VK161-VK170, VK181-VK190, VL001-VL040, VL751-VL790, VL796-VL805, VL911-VL940, VN001-VN050, VN171-VN190, VN211-VN290, VN301-VN340, VN371-VN650, VN671-VN675, VN681-VN730, VN791-VN810, VN921-VN960, VN966-VN967, VN971-VN990, VR461-VR461 VS051-VS052, VS061-VS061, VS066-VS070, VS091-VS094, VS176-VS177, VS196-VS199, VS206-VS207, VS261-VS262 |

286T1080-300
Wire Bundle Assembly
Figure 114 (Sheet 77)

25-71-01



BOEING
COMPONENT
MAINTENANCE MANUAL

| WIRE | | | FROM EQUIPMENT | | | TO EQUIPMENT | | | WIRE INFO | | | | |
|--------|----|-----|----------------|------|----|--------------|---------|------|-----------|-----------|----|-------|--|
| NUMBER | GA | TYP | NUMBER | TERM | TT | WDM REF | NUMBER | TERM | TT | EMC / SEP | FT | NOTES | EFFECTIVITY |
| 513 | 24 | PV | TB0182Y | A004 | BJ | 34-61-23 | D04809J | 7 | | L2 | 3 | | VK055-VK080, VK171-VK180, VL891-VL910, VR421-VR421, VR471-VR471 |
| 513 | 24 | PV | TB0182Y | A004 | BJ | 34-61-23 | D04809J | 7 | | L2 | 2 | | VL806-VL810, VL871-VL880, VN968-VN970, VS073-VS073, VS131-VS132, VS266-VS268 |
| 513Z | | | D04809J | DED | | 34-61-23 | TB0182Y | DED | | R2 | | | VK001-VK054, VK131-VK140, VK161-VK170, VK181-VK190, VL001-VL040, VL751-VL790, VL796-VL810, VL871-VL880, VL911-VL940, VN001-VN050, VN171-VN190, VN211-VN290, VN301-VN340, VN371-VN650, VN671-VN675, VN681-VN730, VN791-VN810, VN921-VN960, VN966-VN990, VR461-VR461 VS051-VS052, VS061-VS061, VS066-VS070, VS073-VS073, VS091-VS094, VS131-VS132, VS176-VS177, VS196-VS199, VS206-VS207, VS261-VS262, VS266-VS268 |
| 513Z | | | D04809J | DED | | 34-61-23 | TB0182Y | DED | | R2 | | | VK055-VK080, VK171-VK180, VL891-VL910, VR421-VR421, VR471-VR471 |
| 514 | 24 | PV | TB0182Y | A009 | BJ | 34-61-23 | D04809J | 8 | | L2 | 3 | | VK001-VK054, VK131-VK140, VK161-VK170, VK181-VK190, VL001-VL040, VL751-VL790, VL796-VL805, VL911-VL940, VN001-VN050, VN171-VN190, VN211-VN290, VN301-VN340, VN371-VN650, VN671-VN675, VN681-VN730, VN791-VN810, VN921-VN960, VN966-VN967, VN971-VN990, VR461-VR461 VS051-VS052, VS061-VS061, VS066-VS070, VS091-VS094, VS176-VS177, VS196-VS199, VS206-VS207, VS261-VS262 |
| 514 | 24 | PV | TB0182Y | A009 | BJ | 34-61-23 | D04809J | 8 | | L2 | 3 | | VK055-VK080, VK171-VK180, VL891-VL910, VR421-VR421, VR471-VR471 |
| 514Z | | | D04809J | DED | | 34-61-23 | TB0182Y | DED | | R2 | | | VK001-VK054, VK131-VK140, VK161-VK170, VK181-VK190, VL001-VL040, VL751-VL790, VL796-VL810, VL871-VL880, VL911-VL940, VN001-VN050, VN171-VN190, VN211-VN290, VN301-VN340, VN371-VN650, VN671-VN675, VN681-VN730, VN791-VN810, VN921-VN960, VN966-VN990, VR461-VR461 VS051-VS052, VS061-VS061, VS066-VS070, VS091-VS094, VS176-VS177, VS196-VS199, VS206-VS207, VS261-VS262 |

286T1080-300
Wire Bundle Assembly
Figure 114 (Sheet 78)

25-71-01

| WIRE | | FROM EQUIPMENT | | | TO EQUIPMENT | | | WIRE INFO | | | | | |
|--------|----|----------------|---------|------|--------------|----------|---------|-----------|----|---------|----|-------|--|
| NUMBER | GA | TYP | NUMBER | TERM | TT | WDM REF | NUMBER | TERM | TT | EMC/SEP | FT | NOTES | EFFECTIVITY |
| 514Z | | | D04809J | DED | | 34-61-23 | TB0182Y | DED | | R2 | | | VK055-VK080, VK171-VK180, VL891-VL910, VR421-VR421, VR471-VR471 |
| 515 | 24 | PV | TB0182Y | C009 | BJ | 34-61-23 | D04809J | 9 | | L2 | 3 | | VK001-VK054, VK131-VK140, VK161-VK170, VK181-VK190, VL001-VL040, VL751-VL790, VL796-VL805, VL911-VL940, VN001-VN050, VN171-VN190, VN211-VN290, VN301-VN340, VN371-VN650, VN671-VN675, VN681-VN730, VN791-VN810, VN921-VN960, VN966-VN967, VN971-VN990, VR461-VR461 VS051-VS052, VS061-VS061, VS066-VS070, VS091-VS094, VS176-VS177, VS196-VS199, VS206-VS207, VS261-VS262 |
| 515 | 24 | PV | TB0182Y | C009 | BJ | 34-61-23 | D04809J | 9 | | L2 | 3 | | VK055-VK080, VK171-VK180, VL891-VL910, VR421-VR421, VR471-VR471 |
| 515 | 24 | PV | TB0182Y | C009 | BJ | 34-61-23 | D04809J | 9 | | L2 | 2 | | VL806-VL810, VL871-VL880, VN968-VN970, VS073-VS073, VS131-VS132, VS266-VS268 |
| 515Z | | | D04809J | DED | | 34-61-23 | TB0182Y | DED | | R2 | | | VK001-VK054, VK131-VK140, VK161-VK170, VK181-VK190, VL001-VL040, VL751-VL790, VL796-VL810, VL871-VL880, VL911-VL940, VN001-VN050, VN171-VN190, VN211-VN290, VN301-VN340, VN371-VN650, VN671-VN675, VN681-VN730, VN791-VN810, VN921-VN960, VN966-VN990, VR461-VR461 VS051-VS052, VS061-VS061, VS066-VS070, VS073-VS073, VS091-VS094, VS131-VS132, VS176-VS177, VS196-VS199, VS206-VS207, VS261-VS262, VS266-VS268 |
| 515Z | | | D04809J | DED | | 34-61-23 | TB0182Y | DED | | R2 | | | VK055-VK080, VK171-VK180, VL891-VL910, VR421-VR421, VR471-VR471 |
| 516 | 24 | PV | TB0182Y | A010 | BJ | 34-61-23 | D04809J | 10 | | L2 | 3 | | VK001-VK054, VK131-VK140, VK161-VK170, VK181-VK190, VL001-VL040, VL751-VL790, VL796-VL805, VL911-VL940, VN001-VN050, VN171-VN190, VN211-VN290, VN301-VN340, VN371-VN650, VN671-VN675, VN681-VN730, VN791-VN810, VN921-VN960, VN966-VN967, VN971-VN990, VR461-VR461 VS051-VS052, VS061-VS061, VS066-VS070, VS091-VS094, VS176-VS177, VS196-VS199, VS206-VS207, VS261-VS262 |
| 516 | 24 | PV | TB0182Y | A010 | BJ | 34-61-23 | D04809J | 10 | | L2 | 3 | | VK055-VK080, VK171-VK180, VL891-VL910, VR421-VR421, VR471-VR471 |

286T1080-300
Wire Bundle Assembly
Figure 114 (Sheet 79)

25-71-01



BOEING
COMPONENT
MAINTENANCE MANUAL

| WIRE | | FROM EQUIPMENT | | | TO EQUIPMENT | | | WIRE INFO | | | | | |
|--------|----|----------------|---------|------|--------------|----------|---------|-----------|----|-------------|----|-------|--|
| NUMBER | GA | TYP | NUMBER | TERM | TT | WDM REF | NUMBER | TERM | TT | EMC/ SEP | FT | NOTES | EFFECTIVITY |
| 516 | 24 | FV | TE0182Y | A010 | BJ | 34-61-23 | D04809J | 10 | | L2 | 2 | | VL806-VL810, VL871-VL880, VN968-VN970, VS073-VS073, VS131-VS132, VS266-VS268 VL891-VL910 |
| 516 | 24 | FV | TE0182Y | A010 | BJ | 34-61-23 | D04809J | 10 | | L2 | 3 | | VK001-VK054, VK131-VK140, VK161-VK170, VK181-VK190, VL001-VL040, VL751-VL790, VL796-VL810, VL871-VL880, VL911-VL940, VN001-VN050, VN171-VN190, VN211-VN290, VN301-VN340, VN371-VN650, VN671-VN681-VN730, VN791-VN810, VN921-VN960, VN966-VN990, VR461-VR461 VS051-VS052, VS061-VS061, VS066-VS070, VS073-VS073, VS091-VS094, VS131-VS132, VS176-VS177, VS196-VS199, VS206-VS207, VS261-VS262, VS266-VS268 |
| 516Z | | | D04809J | DED | | 34-61-23 | TE0182Y | DED | | R2 | | | VK001-VK011, VK021-VK030 VK001-VK080, VK131-VK140, VK161-VK190, VL001-VL040, VL751-VL790, VL796-VL805, VL891-VL940, VN001-VN050, VN171-VN190, VN211-VN290, VN301-VN340, VN371-VN650, VN671-VN675, VN681-VN921-VN960, VN966-VN967, VN971-VN990, VR421-VR421, VR461-VR461 VR471-VR471, VS051-VS052, VS061-VS061, VS066-VS070, VS073-VS073, VS091-VS094, VS131-VS132, VS176-VS177, VS196-VS199, VS206-VS207, VS261-VS262 |
| 517 | 20 | UA | GDX0002 | S.. | 2 | 73-21-11 | D08032J | | | R2 | 3 | | VK055-VK080, VK171-VK180, VL891-VL910, VR421-VR421, VR471-VR471 |
| 518 | 22 | PA | D02676 | 43 | | 27-58-21 | GDX0002 | D.. | 2 | R2 | 4 | | VK001-VK011, VK021-VK030 VK001-VK080, VK131-VK140, VK161-VK190, VL001-VL040, VL751-VL790, VL796-VL805, VL891-VL940, VN001-VN050, VN171-VN190, VN211-VN290, VN301-VN340, VN371-VN650, VN671-VN675, VN681-VN921-VN960, VN966-VN967, VN971-VN990, VR421-VR421, VR461-VR461 VR471-VR471, VS051-VS052, VS061-VS061, VS066-VS070, VS091-VS094, VS131-VS132, VS176-VS177, VS196-VS199, VS206-VS207, VS261-VS262 |
| 518 | 22 | PA | D02676 | 43 | | 27-58-21 | GDX0002 | D.. | 2 | R2 | 2 | | VL806-VL810, VL871-VL880, VN968-VN970, VS073-VS073, VS131-VS132, VS266-VS268 |
| 521 | 22 | PA | D02676 | 29 | | 27-61-11 | D04887J | 27 | | R2 | 4 | | VK001-VK030, VK134-VK140, VK161-VK170, VK181-VK190, VL007-VL011, VL751-VL790, VL796-VL805, VL891-VL940, VN016-VN050, VN174-VN190, VN213-VN220, VN223-VN230, VN235-VN240, VN242-VN250, VN304-VN340, VN371-VN470, VN531-VN540, VN542-VN650, VN671-VN675, VN681-VN730, VN791-VN810, VN931-VN960, VN966-VN967, VN971-VN990, VR461-VR461, VS051-VS052, VS061-VS061, VS176-VS177, VS196-VS199, VS206-VS207, VS261-VS262 |

286T1080-300
Wire Bundle Assembly
Figure 114 (Sheet 80)

25-71-01

| WIRE | | FROM EQUIPMENT | | | TO EQUIPMENT | | | WIRE INFO | | | | | |
|--------|----|----------------|---------|------|--------------|----------|---------|-----------|----|---------|----|----------------------------|---|
| NUMBER | GA | TYP | NUMBER | TERM | TT | WDM REF | NUMBER | TERM | TT | EMC/SEP | FT | NOTES | EFFECTIVITY |
| 521 | 22 | PA | D02676 | | 29 | 27-61-11 | D04887J | 27 | | R2 | 3 | | VK031-VK045, VK051-VK080, VK171-VK180, VN001-VN015, VN211-VN212, VN221-VN222, VN241-VN241, VN260-VN290, VN471-VN530, VN921-VN930, VR421-VR421, VR471-VR471, VS066-VS070, VS091-VS094 |
| 521 | 22 | PA | D02676 | | 29 | 27-61-11 | TB0158D | C013 | 2 | R2 | 4 | | VK046-VK050, VK131-VK133, VL012-VL040, VN233-VN234, VN251-VN259, VN301-VN303, VN541-VN541 VL001-VL006 |
| 521 | 22 | PA | D02676 | | 29 | 27-61-11 | TB0248D | C007 | 2 | R2 | 3 | MNU-T2 MOT-F2 ZSZ-B6 | |
| 521 | 22 | PA | D02676 | | 29 | 27-61-11 | D04887J | 27 | | R2 | 1 | | VL806-VL810, VL871-VL880, VN968-VN970, VS073-VS073, VS131-VS132, VS266-VS268 |
| 521 | 22 | PA | D02676 | | 29 | 27-61-11 | TB0158D | C015 | 2 | R2 | 3 | MNU-T2 MOT-F2 | VN171-VN173 |
| 521 | 22 | PA | D02676 | | 29 | 27-61-11 | TB0182D | C022 | 2 | R2 | 3 | MOT-F2 ZSZ-B6 | VN231-VN232 |
| 523 | 22 | PA | D02676 | | 26 | 22-24-21 | D04887J | 1 | | R2 | 3 | | VK001-VK080, VK131-VK140, VK161-VK190, VL001-VL040, VL751-VL790, VL796-VL805, VL891-VL940, VN001-VN050, VN171-VN190, VN211-VN290, VN301-VN340, VN371-VN650, VN671-VN675, VN681-VN730, VN791-VN810, VN921-VN960, VN966-VN967, VN971-VN990, VR421-VR421, VR461-VR461, VR471-VR471, VS051-VS052, VS061-VS061, VS066-VS070, VS091-VS094, VS176-VS177, VS196-VS199, VS206-VS207, VS261-VS262 |
| 523 | 22 | PA | D02676 | | 26 | 22-24-21 | D04887J | 1 | | R2 | 1 | | VL806-VL810, VL871-VL880, VN968-VN970, VS073-VS073, VS131-VS132, VS266-VS268 |
| 524 | 24 | PK | TB0158F | A025 | 2 | 21-51-11 | D01876 | 10 | | R2 | 4 | | VK001-VK011, VK021-VK054 |

286T1080-300
Wire Bundle Assembly
Figure 114 (Sheet 81)

25-71-01



COMPONENT
MAINTENANCE MANUAL

| WIRE | | FROM EQUIPMENT | | | TO EQUIPMENT | | | WIRE INFO | | | |
|--------|----|----------------|---------|---------|--------------|---------|---------|-----------|----|-------|--|
| NUMBER | GA | TYP | NUMBER | TERM TT | WDM REF | NUMBER | TERM TT | EMC/ SEP | FT | NOTES | EFFECTIVITY |
| 524 | 24 | PK | TB0158F | A025 | 21-51-11 | D01876 | 4 | R2 | 4 | | VK012-VK020, VK055-VK080, VK131-VK140, VK161-VK190, VL001-VL040, VL751-VL790, VL796-VL805, VL911-VL940, VNO01-VN050, VN171-VN190, VN211-VN220, VN231-VN290, VN301-VN340, VN371-VN633, VN681-VN730, VN791-VN810, VN921-VN960, VR421-VR421, VR461-VR461, VR471-VR471 VS051-VS052, VS061-VS061, VS066-VS070, VS091-VS094, VS176-VS177, VS196-VS199, VS206-VS207, VS261-VS262 |
| 524 | 24 | PK | TB0182X | A016 | 21-51-11 | D01876 | 4 | R2 | 3 | | VL806-VL810, VN968-VN970, VS131-VS132 |
| 524 | 24 | PK | TB0182X | A016 | 21-51-11 | D01876 | 4 | R2 | 4 | | VL891-VL910, VN221-VN230, VN634-VN650, VN671-VN675, VN966-VN967, VN971-VN990 |
| 524 | 24 | PK | TB0158F | A025 | 21-51-11 | D01876 | 4 | R2 | 3 | | VS073-VS073, VS266-VS266 |
| 525 | 24 | PK | D01868 | 3 | 21-51-21 | TB0158G | 9 | R2 | 4 | | VK001-VK080, VK131-VK140, VK161-VK190, VL001-VL040, VL751-VL790, VL796-VL805, VL891-VL940, VN001-VN050, VN171-VN190, VN211-VN290, VN301-VN340, VN371-VN650, VN671-VN675, VN681-VN730, VN791-VN810, VN921-VN960, VN966-VN967, VN971-VN990, VR421-VR421, VR461-VR461 VR471-VR471, VS051-VS052, VS061-VS061, VS066-VS070, VS091-VS094, VS176-VS177, VS196-VS199, VS206-VS207, VS261-VS262 |
| 525 | 24 | PK | D01868 | 3 | 21-51-21 | TB0158G | 9 | R2 | 3 | | VL806-VL810, VN968-VN970, VS073-VS073, VS131-VS132, VS266-VS266 |
| 525 | 24 | PK | D01868 | 3 | 21-51-21 | TB0158Y | A006 | R2 | 3 | | VL871-VL880 |
| 526 | 24 | PK | D01868 | 16 | 21-51-21 | TB0158F | C025 | R2 | 4 | | VK001-VK080, VK131-VK140, VK161-VK190, VL001-VL040, VL751-VL790, VL796-VL805, VL891-VL930, VNO01-VNO50, VN171-VN190, VN211-VN220, VN231-VN290, VN301-VN340, VN371-VN650, VN791-VN810, VN921-VN930, VN951-VN960, VR421-VR421, VR461-VR461, VR471-VR471, VS051-VS052 VS061-VS061, VS066-VS070, VS091-VS094, VS176-VS177, VS196-VS199, VS261-VS262 |
| 526 | 24 | PK | D01868 | 16 | 21-51-21 | TB0158F | C025 | R2 | 3 | | VL806-VL810, VS073-VS073, VS366-VS268 |
| 526 | 24 | PK | D01868 | 16 | 21-51-21 | TB0158Y | C010 | R2 | 3 | | VL871-VL880 |
| 526 | 24 | PK | D01868 | 16 | 21-51-21 | TB0158F | C025 | R2 | 4 | | VL931-VL940, VN681-VN730, VN931-VN950, VS206-VS207 |
| 526 | 24 | PK | D01868 | 16 | 21-51-21 | TB0182X | B016 | R2 | 4 | | VN221-VN230, VN671-VN675, VN966-VN967, VN971-VN990 |

286T1080-300
Wire Bundle Assembly
Figure 114 (Sheet 82)

25-71-01

| WIRE | | FROM EQUIPMENT | | | TO EQUIPMENT | | | WIRE INFO | | | | | |
|--------|----|----------------|--------|------|--------------|----------|---------|-----------|----|---------|----|-------|--|
| NUMBER | GA | TYP | NUMBER | TERM | TT | WDM REF | NUMBER | TERM | TT | EMC/SEP | FT | NOTES | EFFECTIVITY |
| 526 | 24 | PK | D01868 | 16 | | 21-51-21 | TB0182X | C015 | BJ | R2 | 3 | | VN958-VN970, VS131-VS132 |
| 527 | 24 | PK | D01868 | 37 | | 21-51-21 | D01876 | 8 | | R2 | 3 | | VK001-VK011, VK021-VK054 |
| 527 | 24 | PK | D01868 | 37 | | 21-51-21 | D01876 | 38 | | R2 | 3 | | VK012-VK020, VK055-VK080, VK131-VK140, VK161-VK190, VL001-VL040, VL751-VL790, VL796-VL805, VL891-VN301-VN340, VN001-VN023, VNI171-VNI190, VN211-VN290, VN301-VN810, VN921-VN960, VN966-VN967, VN971-VN990, VR421-VR461, VR461-VR471, VR471-VR471, VS051-VS052, VS061-VS066, VS070, VS091-VS094, VS176-VS177, VS206-VS207, VS261-VS262 |
| 527 | 24 | PK | D01868 | 37 | | 21-51-21 | D01876 | 38 | | R2 | 1 | | VL806-VL810, VN968-VN970, VS073-VS073, VS131-VS132, VS266-VS268 |
| 527 | 24 | PK | D01868 | 37 | | 21-51-21 | TB0158Y | A010 | BJ | R2 | 3 | | VL871-VL880 |
| 527 | 24 | PK | D01868 | 37 | | 21-51-21 | D01876 | 38 | | R2 | 3 | | VN024-VN050, VS196-VS199 |
| 528 | 24 | PK | D01868 | 38 | | 21-51-21 | D08032J | 4 | | R2 | 4 | | VK001-VK080, VK131-VK140, VK161-VK190, VL001-VL040, VL751-VL790, VL796-VL805, VL891-VL940, VN001-VN050, VNI171-VNI190, VN211-VN290, VN301-VN340, VN371-VN650, VN671-VN675, VN681-VN730, VN791-VN810, VN921-VN960, VN966-VN967, VN971-VN990, VR421-VR461, VR461-VR471, VS051-VS052, VS061-VS066, VS070, VS091-VS094, VS176-VS177, VS196-VS199, VS206-VS207, VS261-VS262 |
| 528 | 24 | PK | D01868 | 38 | | 21-51-21 | D08032J | 4 | | R2 | 2 | | VL806-VL810, VL871-VL880, VN968-VN970, VS073-VS073, VS131-VS132, VS266-VS268 |
| 529 | 24 | PV | D02162 | 8 | | 73-21-11 | TB0248Z | 5 | BJ | R2 | 4 | | VK001-VK011, VK021-VK030 |
| 529Z | 24 | PV | D02162 | 8 | | 73-21-11 | TB0248Z | 6 | BJ | R2 | 4 | | VK001-VK011, VK021-VK030 |
| 530 | 24 | PK | D02162 | 11 | | 73-21-15 | TB0158G | 26 | 2 | R2 | 4 | | VK001-VK011, VK021-VK030 |
| 530 | 24 | PK | D02162 | 33 | | 73-21-15 | TB0158G | 26 | 2 | R2 | 4 | | VK055-VK080, VK161-VK180, VL011-VL040, VL796-VL805, VL931-VL940, VNI171-VNI173, VN211-VN220, VN241-VN290, VN371-VN420, VN531-VN545, VN551-VN633, VN681-VN730, VN931-VN950, VN966-VN967, VN971-VN990, VR421-VR421, VR471-VR471, VS066-VS070, VS206-VS207 |
| 530 | 24 | PK | D02162 | 33 | | 73-21-15 | TB0158G | 26 | 2 | R2 | 2 | | VL806-VL810, VL871-VL880 |
| 530 | 24 | PK | D02162 | 33 | | 73-21-15 | TB0158G | 26 | 2 | R2 | 3 | | VNI174-VNI190, VN491-VN530, VS061-VS061, VS091-VS094 |

286T1080-300
Wire Bundle Assembly
Figure 114 (Sheet 83)

25-71-01



BOEING
COMPONENT
MAINTENANCE MANUAL

| WIRE | | | FROM EQUIPMENT | | | TO EQUIPMENT | | | WIRE INFO | | | | |
|--------|----|-----|----------------|------|----|--------------|---------|------|-----------|---------|----|-------|--|
| NUMBER | GA | TYP | NUMBER | TERM | TT | WDM REF | NUMBER | TERM | TT | EMC/SEP | FT | NOTES | EFFECTIVITY |
| 530 | 24 | PK | D02162 | 33 | | 73-21-15 | TB0158Y | A014 | BJ | R2 | 4 | | VN221-VN222 |
| 530 | 24 | PK | D02162 | 33 | | 73-21-15 | TB0158Y | A006 | BJ | R2 | 3 | | VN223-VN230 |
| 530 | 24 | PK | D02162 | 33 | | 73-21-15 | TB0158Y | A006 | BJ | R2 | 4 | | VN671-VN675 |
| 531 | 24 | PV | D02162 | 53 | | 73-21-16 | D08032J | 11 | | R2 | 3 | | VK001-VK011, VK021-VK030 |
| 531 | 24 | PK | TB0182X | C015 | BJ | 73-21-16 | D08032J | 10 | | R2 | 3 | | VK031-VK054 |
| 531Z | | | D02162 | | | 73-21-16 | D08032J | | | R2 | | | VK001-VK011, VK021-VK030 |
| 532 | 24 | PV | D02162 | 10 | | 73-21-17 | D08032J | 14 | | R2 | 3 | | VK001-VK011, VK021-VK030 |
| 532Z | | | D02162 | | | 73-21-17 | D08032J | | | R2 | | | VK001-VK011, VK021-VK030 |
| 533 | 24 | PK | TB0182X | D012 | BJ | 73-21-17 | D08032J | 31 | | R2 | 2 | | VK001-VK054, VK131-VK140, VK161-VK170, VK181-VK190, VL001-VL040, VL751-VL790, VL796-VL810, VL871-VL880, VL911-VL940, VN001-VN050, VN171-VN190, VN211-VN290, VN301-VN340, VN371-VN650, VN671-VN675, VN681-VN730, VN791-VN810, VN921-VN960, VN966-VN990, VR461-VR461 VS051-VS052, VS061-VS061, VS066-VS070, VS073-VS073, VS091-VS094, VS131-VS132, VS176-VS177, VS196-VS199, VS206-VS207, VS261-VS262, VS266-VS268 |
| 533 | 24 | PK | TB0182X | D012 | BJ | 73-21-17 | D08032J | 31 | | R2 | 2 | | VK055-VK080, VK171-VK180, VR421-VR421, VR471-VR471 |
| 533 | 24 | PK | TB0182X | D012 | BJ | 73-21-17 | D08032J | 31 | | R2 | 2 | | VL891-VL910 |
| 534 | 24 | PK | D08032J | 30 | | 73-21-16 | D02162 | 49 | | R2 | 3 | | VK001-VK011, VK021-VK030 |
| 534 | 24 | PK | TB0182X | A015 | BJ | 73-21-16 | D08032J | 30 | | R2 | 3 | | VK012-VK020, VK031-VK054, VK131-VK140, VK181-VK190, VL001-VL010, VL751-VL790, VL911-VL930, VN001-VN050, VN231-VN240, VN301-VN340, VN421-VN490, VN546-VN550, VN634-VN650, VN791-VN810, VN921-VN930, VN951-VN960, VR461-VR461, VS051-VS052, VS176-VS177, VS196-VS199 VS261-VS262 |
| 534 | 24 | PK | D02162 | 54 | | 73-21-16 | D08032J | 30 | | R2 | 3 | | VK055-VK080, VK161-VK180, VL011-VL040, VNL171-VNL190, VN211-VN220, VN241-VN250, VN371-VN420, VN531-VN545, VN551-VN633, VR421-VR421, VR471-VR471, VS061-VS061 |
| 534 | 24 | PK | D02162 | 54 | | 73-21-16 | D05552J | 10 | | R2 | 3 | | VL796-VL805, VN251-VN290, VS066-VS070 |
| 534 | 24 | PK | D02162 | 54 | | 73-21-16 | D08032J | 30 | | R2 | 2 | | VL806-VL810 |
| 534 | 24 | PK | D02162 | 54 | | 73-21-16 | D05552J | 58 | | R2 | 2 | | VL871-VL880 |
| 534 | 24 | PK | TB0182X | A015 | BJ | 73-21-16 | D05552J | 58 | | R2 | 3 | | VL891-VL910 |

286T1080-300
Wire Bundle Assembly
Figure 114 (Sheet 84)

25-71-01

| WIRE | | | FROM EQUIPMENT | | | | TO EQUIPMENT | | | | WIRE INFO | | | |
|--------|----|-----|----------------|------|----|----------|--------------|------|----|---------|-----------|-------|---|--|
| NUMBER | GA | TYP | NUMBER | TERM | TT | WDM REF | NUMBER | TERM | TT | EMC/SEP | FT | NOTES | EFFECTIVITY | |
| 534 | 24 | PK | D08032J | 30 | | 73-21-16 | D02162 | 54 | | R2 | 3 | | VL931-VL940, VN221-VN230, VN491-VN530, VN671-VN675, VN681-VN730, VN931-VN950, VN966-VN967, VN971-VN990, VS091-VS094, VS206-VS207 | |
| 534 | 24 | PK | D08032J | 30 | | 73-21-16 | TB0182X | A015 | BJ | R2 | 2 | | VN968-VN970, VS131-VS132 | |
| 534 | 24 | PK | TB0182X | A015 | BJ | 73-21-16 | D0552J | 58 | | R2 | 2 | | VS073-VS073, VS266-VS268 | |
| 535 | 24 | PV | D08032J | 42 | | 73-21-11 | TB0182Y | A003 | BJ | R2 | 2 | | VK012-VK020, VK181-VK190, VR461-VR461 | |
| 535 | 24 | PV | D08032J | 42 | | 73-21-11 | TB0182Y | A003 | BJ | R2 | 3 | | VK131-VK140, VL751-VL790, VL911-VL930, VN231-VN240, VN421-VN490, VNS46-VNS50, VN791-VN810, VN921-VN930, VN951-VN960, VN968-VN970, VR461-VR461, VS051-VS052, VS073-VS073, VS131-VS132, VS176-VS177, VS261-VS262, VS266-VS268 | |
| 535 | 24 | PV | D08032J | 42 | | 73-21-11 | TB0182Y | A003 | BJ | R2 | 3 | | VL891-VL910 | |
| 535 | 24 | PV | D08032J | 42 | | 73-21-11 | TB0182Y | A003 | BJ | R2 | 2 | | VN968-VN970, VS073-VS073, VS131-VS132, VS266-VS268 | |
| 535Z | | | D08032J | 41 | | 73-21-11 | TB0182Y | C003 | BJ | R2 | | | VK012-VK020, VK131-VK140, VK181-VK190, VL751-VL790, VL911-VL930, VN231-VN240, VN421-VN490, VNS46-VNS50, VN634-VN650, VN791-VN810, VN921-VN930, VN951-VN960, VN968-VN970, VR461-VR461, VS051-VS052, VS073-VS073, VS131-VS132, VS176-VS177, VS261-VS262, VS266-VS268 | |
| 535Z | | | D08032J | 41 | | 73-21-11 | TB0182Y | C003 | BJ | R2 | | | VL891-VL910 | |
| 537 | 22 | PA | GDX0004 | D.. | 2 | 21-58-13 | D01872 | 11 | | R2 | 4 | | VK001-VK003 | |
| 538 | 24 | PK | D01868 | 30 | | 21-53-22 | TB0182X | C011 | BJ | R2 | 4 | | VK001-VK003, VK131-VK140, VK161-VK190, VL001-VL040, VL751-VL790, VL796-VL805, VL891-VL940, VN001-VN050, VN171-VN190, VN211-VN290, VN301-VN340, VN371-VN650, VN671-VN675, VN681-VN730, VN791-VN810, VN921-VN960, VN966-VN967, VN971-VN990, VR421-VR421, VR461-VR461, VR471-VR471, VS051-VS052, VS061-VS061, VS066-VS070, VS091-VS094, VS176-VS177, VS196-VS199, VS206-VS207, VS261-VS262 | |
| 538 | 24 | PK | D01868 | 30 | | 21-53-22 | TB0182X | C011 | BJ | R2 | 3 | | VL806-VL810, VL871-VL880, VN968-VN970, VS073-VS073, VS131-VS132, VS266-VS268 | |

286T1080-300
Wire Bundle Assembly
Figure 114 (Sheet 85)

25-71-01



BOEING
COMPONENT
MAINTENANCE MANUAL

| WIRE | | | FROM EQUIPMENT | | | TO EQUIPMENT | | | WIRE INFO | | |
|--------|----|-----|----------------|---------|----------|--------------|---------|----------|-----------|--------|---|
| NUMBER | GA | TYP | NUMBER | TERM FT | WDM REF | NUMBER | TERM FT | EMC/ SEP | FT | NOTES | EFFECTIVITY |
| 540 | 24 | PK | D08032J | 37 | 21-58-11 | TE0182Y | C002 | BJ | 2 | | VK001-VK054, VK131-VK140, VK161-VK170, VK181-VK190, VL001-VL040, VL751-VL790, VL796-VL805, VL911-VL940, VN001-VN050, VN171-VN190, VN211-VN290, VN301-VN340, VN371-VN650, VN671-VN675, VN681-VN730, VN791-VN810, VN921-VN960, VN966-VN967, VN971-VN990, VR461-VR461 VS051-VS052, VS061-VS061, VS066-VS070, VS091-VS094, VS176-VS177, VS196-VS199, VS206-VS207, VS261-VS262 |
| 540 | 24 | PK | D08032J | 37 | 21-58-11 | TB0182Y | C002 | BJ | 2 | | VK055-VK080, VK171-VK180, VR421-VR421, VR471-VR471 |
| 540 | 24 | PK | D08032J | 37 | 21-58-11 | TB0182Y | C002 | BJ | 2 | | VL806-VL810, VL871-VL880, VN968-VN970, VS073-VS073, VS131-VS132, VS266-VS266 |
| 540 | 24 | PK | D08032J | 37 | 21-58-11 | TB0182Y | C002 | BJ | 2 | | VL891-VL910 |
| 541 | 24 | PK | D05766J | 19 | 73-21-11 | TB0182Y | C003 | BJ | 2 | | VK001-VK011, VK021-VK030 |
| 541 | 24 | PV | D08032J | 29 | 73-21-11 | TB0182Y | A003 | BJ | 2 | | VK012-VK020, VK181-VK190, VR461-VR461 |
| 541 | 24 | PK | D08032J | 57 | 73-21-11 | TB0182X | A027 | BJ | 3 | | VK031-VK054 |
| 541 | 24 | PV | D08032J | 29 | 73-21-11 | TB0182Y | A003 | BJ | 3 | | VK131-VK140, VL751-VL790, VL911-VL930, VN231-VN240, VN421-VN490, VN546-VN550, VN634-VN650, VN791-VN810, VN921-VN930, VN951-VN960, VS051-VS052, VS176-VS177, VS261-VS262 |
| 541 | 24 | PK | D08032J | 57 | 73-21-11 | D08032J | 27 | | 3 | MLA-T2 | VL001-VL006 |
| 541 | 24 | PK | D08032J | 57 | 73-21-11 | D08032J | 27 | | 3 | | VL007-VL010, VN016-VN050, VN301-VN340, VS196-VS199 |
| 541 | 24 | PV | D08032J | 29 | 73-21-11 | TB0182Y | A003 | BJ | 3 | | VL891-VL910 |
| 541 | 24 | PK | D08032J | 57 | 73-21-11 | SP03272 | | W | 3 | | VN001-VN015 |
| 541 | 24 | PV | D08032J | 29 | 73-21-11 | TB0182Y | A003 | BJ | 2 | | VN968-VN970, VS073-VS073, VS131-VS132, VS266-VS266 |
| 541Z | 24 | PV | D08032J | 28 | 73-21-11 | TB0182Y | C003 | BJ | 2 | | VK012-VK020, VK131-VK140, VK181-VK190, VL751-VL790, VL911-VL930, VN231-VN240, VN421-VN490, VN546-VN550, VN634-VN650, VN791-VN810, VN921-VN930, VN951-VN960, VN968-VN970, VR461-VR461, VS051-VS052, VS073-VS073, VS131-VS132, VS176-VS177, VS261-VS262, VS266-VS266 |
| 541Z | 24 | PK | D08032J | 28 | 73-21-11 | TB0182Y | C003 | BJ | 2 | | VL891-VL910 |
| 542 | 24 | PK | D05766J | 20 | 73-21-11 | SP04014 | | W | 2 | | VK001-VK009, VK021-VK022 |
| 542 | 24 | PK | D05766J | 20 | 73-21-11 | SP04014 | | W | 4 | | VK010-VK011, VK023-VK030 |
| 542 | 24 | PV | D08032J | 58 | 73-21-11 | TB0248X | D002 | BJ | 2 | | VK012-VK020, VK181-VK190, VR461-VR461 |

286T1080-300
Wire Bundle Assembly
Figure 114 (Sheet 86)

25-71-01

| WIRE | | | FROM EQUIPMENT | | | TO EQUIPMENT | | | WIRE INFO | | | | |
|--------|----|-----|----------------|------|----|--------------|---------|------|-----------|-------------|----|-------|--|
| NUMBER | GA | TYP | NUMBER | TERM | TT | WDM REF | NUMBER | TERM | TT | EMC/ SEP | FT | NOTES | EFFECTIVITY |
| 542 | 24 | PK | D08032J | 58 | | 73-21-11 | TB0248X | C001 | BJ | R2 | 3 | | VK031-VK054, VL001-VL010, VN001-VN050, VN301-VN340, VS196-VS199 |
| 542 | 24 | PV | D05552J | 41 | | 73-21-11 | TB0182Y | C006 | BJ | R2 | 3 | | VK055-VK080, VK171-VK180, VR421-VR421, VR471-VR471 |
| 542 | 24 | PV | D08032J | 58 | | 73-21-11 | TB0248X | D002 | BJ | R2 | 3 | | VK131-VK140, VL751-VL790, VL911-VL930, VN231-VN240, VN421-VN490, VN546-VN550, VN634-VN650, VN791-VN810, VN921-VN930, VN951-VN960, VS051-VS052, VS176-VS177, VS261-VS262 |
| 542 | 24 | PV | D05552J | 41 | | 73-21-11 | TB0182Y | C006 | BJ | R2 | 3 | | VK161-VK170, VL011-VL040, VL796-VL805, VN171-VN190, VN211-VN220, VN241-VN290, VN371-VN420, VN531-VN545, VN551-VN633, VS061-VS061, VS066-VS070 |
| 542 | 24 | PV | D05552J | 41 | | 73-21-11 | TB0182Y | C006 | BJ | R2 | 2 | | VL806-VL810, VL871-VL880 |
| 542 | 24 | PV | D08032J | 58 | | 73-21-11 | TB0248X | D002 | BJ | R2 | 3 | | VL891-VL910 |
| 542 | 24 | PV | D05552J | 41 | | 73-21-11 | TB0182Y | C006 | BJ | R2 | 3 | | VL931-VL940, VN221-VN230, VN491-VN530, VN671-VN675, VN681-VN730, VN931-VN950, VN966-VN967, VN971-VN990, VS091-VS094, VS206-VS207 |
| 542 | 24 | PV | D08032J | 58 | | 73-21-11 | TB0248X | D002 | BJ | R2 | 2 | | VN968-VN970, VS131-VS132 |
| 542 | 24 | PV | D08032J | 58 | | 73-21-11 | TB0248X | D002 | BJ | R2 | 2 | | VS073-VS073, VS266-VS268 |
| 542Z | 24 | PV | D08032J | 55 | | 73-21-11 | TB0248X | C002 | BJ | R2 | | | VR012-VK020, VK131-VK140, VK181-VK190, VL751-VL790, VL911-VL930, VN231-VN240, VN421-VN490, VN546-VN550, VN634-VN650, VN791-VN810, VN921-VN930, VN951-VN960, VR461-VR461, VS051-VS052, VS176-VS177, VS261-VS262 |
| 542Z | 24 | PV | D05552J | 59 | | 73-21-11 | TB0182Y | C004 | BJ | R2 | | | VK055-VK080, VK171-VK180, VR421-VR421, VR471-VR471 |
| 542Z | 24 | PV | TB0182Y | C004 | BJ | 73-21-11 | D05552J | 59 | | R2 | | | VK161-VK170, VL011-VL040, VL796-VL810, VL871-VL880, VN171-VN190, VN211-VN220, VN241-VN290, VN371-VN420, VN531-VN545, VN551-VN633, VS061-VS061, VS066-VS070 |
| 542Z | 24 | PV | D08032J | 55 | | 73-21-11 | TB0248X | C002 | BJ | R2 | | | VL891-VL910 |
| 542Z | 24 | PV | D05552J | 59 | | 73-21-11 | TB0182Y | C004 | BJ | R2 | | | VL931-VL940, VN221-VN230, VN491-VN530, VN671-VN675, VN681-VN730, VN931-VN950, VN966-VN967, VN971-VN990, VS091-VS094, VS206-VS207 |
| 542Z | 24 | PV | D08032J | 55 | | 73-21-11 | TB0248X | C002 | BJ | R2 | | | VN968-VN970, VS131-VS132 |
| 542Z | 24 | PV | TB0248X | C002 | BJ | 73-21-11 | D08032J | 55 | | R2 | | | VS073-VS073, VS266-VS268 |

 286T1080-300
 Wire Bundle Assembly
 Figure 114 (Sheet 87)

25-71-01

 TESTING & FAULT ISOLATION
 01 Page 142N
 Nov 01/02



BOEING
COMPONENT
MAINTENANCE MANUAL

| WIRE | | FROM EQUIPMENT | | | TO EQUIPMENT | | | WIRE INFO | | | | | |
|--------|----|----------------|---------|------|--------------|----------|---------|-----------|----|---------|----|-------|---|
| NUMBER | GA | TYP | NUMBER | TERM | TT | WDM REF | NUMBER | TERM | TT | EMC/SEP | FT | NOTES | EFFECTIVITY |
| 543 | 24 | PK | D01872 | 11 | | 21-58-12 | TB0182X | D028 | BJ | R2 | 3 | | VK004-VK080, VK131-VK140, VK161-VK190, VL001-VL040, VL751-VL790, VL796-VL805, VL891-VL940, VN001-VN050, VN171-VN190, VN211-VN290, VN301-VN340, VN371-VN650, VN671-VN675, VN681-VN730, VN791-VN810, VN921-VN960, VN966-VN967, VN971-VN990, VR421-VR421, VR461-VR461, VR471-VR471, VS051-VS052, VS061-VS061, VS066-VS070, VS091-VS094, VS176-VS177, VS196-VS199, VS206-VS207, VS261-VS262 |
| 543 | 24 | PK | D01872 | 11 | | 21-58-12 | TB0182X | D028 | BJ | R2 | 2 | | VL806-VL810, VL871-VL880, VN968-VN970, VS073-VS073, VS131-VS132, VS266-VS268 |
| 544JA | 24 | PV | TB0248Y | C003 | BJ | 73-21-17 | TB0248Z | 5 | BJ | R2 | 2 | | VK055-VK080, VK171-VK180, VR421-VR421, VR471-VR471 |
| 544JA | 24 | PV | TB0248Y | C003 | BJ | 73-21-17 | TB0248Z | 5 | BJ | R2 | 2 | | VK161-VK170, VL011-VL040, VL796-VL805, VL931-VL940, VN171-VN190, VN211-VN220, VN223-VN230, VN241-VN290, VN371-VN420, VN531-VN545, VN551-VN633, VN671-VN675, VN681-VN730, VN931-VN950, VN966-VN967, VN971-VN990, VS061-VS061, VS066-VS070, VS206-VS207 |
| 544JA | 24 | PV | TB0248Y | C003 | BJ | 73-21-17 | TB0248Z | 5 | BJ | R2 | 2 | | VL806-VL810, VL871-VL880 |
| 544JA | 24 | PV | TB0248Y | C003 | BJ | 73-21-17 | TB0248Z | 5 | BJ | R2 | 2 | | VN221-VN222, VN451-VN530, VS091-VS094 |
| 544Z | | | TB0248Y | A004 | BJ | 73-21-17 | TB0248Z | 6 | BJ | R2 | | | VK055-VK080, VK171-VK180, VR421-VR421, VR471-VR471 |
| 544Z | | | TB0248Y | A004 | BJ | 73-21-17 | TB0248Z | 6 | BJ | R2 | | | VK161-VK170, VL011-VL040, VL796-VL810, VL871-VL880, VL931-VL940, VN171-VN190, VN211-VN220, VN223-VN230, VN241-VN290, VN371-VN420, VN531-VN545, VN551-VN633, VN671-VN675, VN681-VN730, VN931-VN950, VN966-VN966, VN967, VN971-VN990, VS061-VS061, VS066-VS070, VS206-VS207 |
| 544Z | | | TB0248Y | | | 73-21-17 | TB0248Z | 6 | BJ | R2 | | | VN221-VN222, VN491-VN530, VS091-VS094 |
| 547 | 18 | PA | D08032J | 57 | DL | 73-21-11 | D05552J | 56 | DL | R2 | 2 | | VK012-VK020, VK181-VK190, VL751-VL790, VL911-VL930, VN421-VN470, VN951-VN960, VR461-VR461, VS051-VS052, VS073-VS073, VS176-VS177, VS261-VS262, VS266-VS268 |
| 547 | 22 | PA | D08032J | 57 | | 73-21-11 | D05552J | 56 | | R2 | 2 | | VK131-VK140, VN231-VN240, VN471-VN490, VN546-VN550, VN634-VN650, VN791-VN810, VN921-VN930, VN968-VN970, VS131-VS132 |
| 547 | 18 | PA | D08032J | 57 | DL | 73-21-11 | D05552J | 56 | DL | R2 | 2 | | VL891-VL910 |

286T1080-300
Wire Bundle Assembly
Figure 114 (Sheet 88)

25-71-01

| WIRE | | FROM EQUIPMENT | | | TO EQUIPMENT | | | WIRE INFO | | | | | |
|--------|----|----------------|---------|------|--------------|----------|---------|-----------|----|-------------|----|-------|--|
| NUMBER | GA | TYP | NUMBER | TERM | TT | WDM REF | NUMBER | TERM | TT | EMC/ SEP | FT | NOTES | EFFECTIVITY |
| 550 | 20 | PQ | D08032J | 13 | | 73-21-14 | TB0248Y | C007 | BJ | R2 | 2 | | VK012-VK020, VK181-VK190, VR461-VR461 |
| 550 | 20 | PQ | D08032J | 13 | | 73-21-14 | TB0248Y | C007 | BJ | R2 | 3 | | VK131-VK140, VL751-VL790, VL911-VL930, VN231-VN240, VN421-VN490, VN546-VN550, VN634-VN650, VN791-VN810, VN921-VN930, VN951-VN960, VS051-VS052, VS176-VS177, VS261-VS262 |
| 550 | 20 | PQ | D08032J | 13 | | 73-21-14 | TB0248Y | C007 | BJ | R2 | 3 | | VL891-VL910 |
| 550 | 20 | PQ | D08032J | 13 | | 73-21-14 | TB0248Y | C007 | BJ | R2 | 2 | | VN968-VN970, VS073-VS073, VS131-VS132, VS266-VS268 |
| 550Z | | | D08032J | 14 | | 73-21-14 | TB0248Y | C008 | BJ | R2 | | | VK012-VK020, VK131-VK140, VK181-VK190, VL751-VL790, VL911-VL930, VN231-VN240, VN421-VN490, VN546-VN550, VN634-VN650, VN791-VN810, VN921-VN930, VN951-VN960, VN968-VN970, VR461-VR461, VS051-VS052, VS073-VS073, VS131-VS132, VS176-VS177, VS261-VS262, VS266-VS268 |
| 550Z | | | D08032J | 14 | | 73-21-14 | TB0248Y | C008 | BJ | R2 | | | VL891-VL910 |
| 551 | 24 | PK | D08032J | 27 | | 73-21-11 | SP03272 | | W | R2 | 3 | | VN001-VN015 |
| 552 | 22 | PQ | D08032J | 60 | | 73-21-11 | TB0248Y | A007 | BJ | R2 | 2 | | VK012-VK020, VK181-VK190, VR461-VR461 |
| 552 | 24 | PV | TB0248Z | 5 | BJ | 73-21-17 | D08032J | 55 | | R2 | 3 | | VK131-VK140, VL751-VL790, VL911-VL930, VN231-VN240, VN421-VN490, VN546-VN550, VN634-VN650, VN791-VN810, VN921-VN930, VN951-VN960, VS051-VS052, VS176-VS177, VS261-VS262 |
| 552 | 22 | PQ | D08032J | 60 | | 73-21-11 | TB0248Y | A007 | BJ | R2 | 3 | | VN610, VN921-VN930, VN951-VN960, VS051-VS052, VS176-VS177, VS261-VS262 |
| 552 | 24 | PV | D08032J | 55 | | 73-21-17 | TB0248Z | 5 | BJ | R2 | 3 | | VK161-VK170, VL011-VL040, VL796-VL805, VN171-VN190, VN211-VN220, VN241-VN290, VN371-VN420, VN531-VN545, VN551-VN633, VS061-VS061, VS066-VS070 |
| 552 | 24 | PV | D08032J | 55 | | 73-21-17 | TB0248Z | 5 | BJ | R2 | 2 | | VL806-VL810, VL871-VL880 |
| 552 | 22 | PQ | D08032J | 60 | | 73-21-11 | TB0248Y | A007 | BJ | R2 | 3 | | VL891-VL910 |
| 552 | 24 | PV | TB0248Z | 5 | BJ | 73-21-17 | D08032J | 55 | | R2 | 3 | | VL931-VL940, VN221-VN230, VN491-VN530, VN671-VN675, VN681-VN730, VN931-VN950, VN966-VN967, VN971-VN990, VS091-VS094, VS206-VS207 |
| 552 | 22 | PQ | D08032J | 60 | | 73-21-11 | TB0248Y | A007 | BJ | R2 | 2 | | VN968-VN970, VS073-VS073, VS131-VS132, VS266-VS268 |

 286T1080-300
 Wire Bundle Assembly
 Figure 114 (Sheet 89)

25-71-01

 TESTING & FAULT ISOLATION
 01 Page 142P
 Nov 01/02



BOEING
COMPONENT
MAINTENANCE MANUAL

| WIRE | | FROM EQUIPMENT | | | TO EQUIPMENT | | | WIRE INFO | | | | | |
|--------|----|----------------|---------|------|--------------|----------|--------------|-----------|----|---------|----|-------|--|
| NUMBER | GA | TYP | NUMBER | TERM | TT | WDM REF | NUMBER | TERM | TT | EMC/SEP | FT | NOTES | EFFECTIVITY |
| 552Z | | | D08032J | | | 73-21-11 | TB0248Y A008 | BJ | | R2 | | | VK012-VK020, VK131-VK140, VK181-VK190, VL751-VL790, VL911-VL930, VN231-VN240, VN421-VN490, VN546-VN550, VN634-VN650, VN791-VN810, VN921-VN930, VN951-VN960, VN968-VN970, VR461-VR461, VS051-VS052, VS073-VS073, VS131-VS132, VS176-VS177, VS261-VS262, VS266-VS268 |
| 552Z | | | TB0248Z | 6 | BJ | 73-21-17 | D08032J | 56 | | R2 | | | VK055-VK080, VK171-VK180, VR421-VR421, VR471-VR471 |
| 552Z | | | D08032J | 56 | | 73-21-17 | TB0248Z | 6 | BJ | R2 | | | VK161-VK170, VL011-VL040, VL796-VL810, VL871-VL880, VN171-VN190, VN211-VN220, VN241-VN290, VN371-VN420, VN531-VN545, VN551-VN633, VS061-VS061, VS066-VS070 |
| 552Z | | | D08032J | | | 73-21-11 | TB0248Y A008 | BJ | | R2 | | | VL891-VL910 |
| 552Z | | | TB0248Z | 6 | BJ | 73-21-17 | D08032J | 56 | | R2 | | | VL931-VL940, VN221-VN230, VN491-VN530, VN671-VN675, VN681-VN730, VN931-VN950, VN966-VN967, VN971-VN990, VS091-VS094, VS206-VS207 |
| 553 | 18 | PA | D08032J | 61 | DL | 73-21-11 | D05552J | 57 | DL | R2 | 2 | | VK012-VK020, VK181-VK190, VR461-VR461 |
| 553 | 22 | PA | D08032J | 61 | | 73-21-11 | D05552J | 57 | | R2 | 3 | | VK131-VK140, VN231-VN240, VN471-VN490, VN546-VN550, VN634-VN650, VN791-VN810, VN921-VN930 |
| 553 | 18 | PA | D08032J | 61 | DL | 73-21-11 | D05552J | 57 | DL | R2 | 3 | | VL751-VL790, VL911-VL930, VN421-VN470, VN951-VN960, VS051-VS052, VS176-VS177, VS261-VS262 |
| 553 | 18 | PA | D08032J | 61 | DL | 73-21-11 | D05552J | 57 | DL | R2 | 3 | | VL891-VL910 |
| 553 | 22 | PA | D08032J | 61 | | 73-21-11 | D05552J | 57 | | R2 | 1 | | VN968-VN970, VS131-VS132 |
| 553 | 18 | PA | D08032J | 61 | DL | 73-21-11 | D05552J | 57 | DL | R2 | 1 | | VS073-VS073, VS266-VS268 |
| 554 | 22 | PQ | D08032J | 1 | | 73-21-11 | TB0248Y A007 | BJ | | R2 | 2 | | VK012-VK020, VK181-VK190, VR461-VR461 |
| 554 | 22 | PQ | D08032J | 1 | | 73-21-11 | TB0248Y A007 | BJ | | R2 | 3 | | VK131-VK140, VL751-VL790, VL911-VL930, VN231-VN240, VN421-VN490, VN546-VN550, VN634-VN650, VN791-VN810, VN921-VN930, VN951-VN960, VS051-VS052, VS176-VS177, VS261-VS262 |
| 554 | 22 | PQ | D08032J | 1 | | 73-21-11 | TB0248Y A007 | BJ | | R2 | 3 | | VL891-VL910 |
| 554 | 22 | PQ | D08032J | 1 | | 73-21-11 | TB0248Y A007 | BJ | | R2 | 2 | | VN968-VN970, VS073-VS073, VS131-VS132, VS266-VS268 |

286T1080-300
Wire Bundle Assembly
Figure 114 (Sheet 90)

25-71-01

| WIRE | | | FROM EQUIPMENT | | | TO EQUIPMENT | | | WIRE INFO | | | | |
|--------|----|-----|----------------|------|----|--------------|---------|------|-----------|-------------|----|------------------|--|
| NUMBER | GA | TYP | NUMBER | TERM | TT | WDM REF | NUMBER | TERM | TT | EMC/ SEP | FT | NOTES | EFFECTIVITY |
| 554Z | | | D08032J | | | 73-21-11 | TB0248Y | A008 | BJ | R2 | | | VK012-VK020, VK131-VK140, VK181-VK190, VL751-VL790, VL911-VL930, VN231-VN240, VN421-VN490, VN546-VN550, VN634-VN650, VN791-VN810, VN921-VN930, VN951-VN960, VN968-VN970, VR461-VR461, VS051-VS052, VS073-VS073, VS131-VS132, VS176-VS177, VS261-VS262, VS266-VS268 |
| 554Z | | | D08032J | | | 73-21-11 | TB0248Y | A008 | BJ | R2 | | | VL891-VL910 |
| 556 | 22 | PQ | D05552J | 41 | | 73-21-11 | TB0248Y | A007 | BJ | R2 | 2 | | VK012-VK020, VK131-VK140, VR461-VR461 |
| 556 | 22 | PQ | D05552J | 41 | | 73-21-11 | TB0248Y | A007 | BJ | R2 | 3 | | VK131-VK140, VL751-VL790, VL911-VL930, VN231-VN240, VN421-VN490, VN546-VN550, VN634-VN650, VN791-VN810, VN921-VN930, VN951-VN960, VS051-VS052, VS176-VS177, VS261-VS262 |
| 556 | 22 | PQ | D05552J | 41 | | 73-21-11 | TB0248Y | A007 | BJ | R2 | 3 | | VL891-VL910 |
| 556 | 22 | PQ | D05552J | 41 | | 73-21-11 | TB0248Y | A007 | BJ | R2 | 2 | | VN968-VN970, VS073-VS073, VS131-VS132, VS266-VS268 |
| 556Z | | | D05552J | 19 | | 73-21-11 | TB0248Y | A008 | BJ | R2 | | | VK012-VK020, VK131-VK140, VK181-VK190, VL751-VL790, VL911-VL930, VN231-VN240, VN421-VN490, VN546-VN550, VN634-VN650, VN791-VN810, VN921-VN930, VN951-VN960, VN968-VN970, VR461-VR461, VS051-VS052, VS073-VS073, VS131-VS132, VS176-VS177, VS261-VS262, VS266-VS268 |
| 556Z | | | D05552J | 19 | | 73-21-11 | TB0248Y | A008 | BJ | R2 | | | VL891-VL910 |
| 558 | 24 | PK | TB0158Y | A010 | BJ | 21-51-21 | D05552J | 15 | | R2 | 2 | | VL871-VL880 |
| 559 | 22 | PA | D04887J | 27 | | 27-61-11 | TB0158D | A013 | 2 | R2 | 3 | | VK046-VK050, VK131-VK133, VL012-VL040, VN233-VN234, VN251-VN259, VN301-VN303, VN541-VN541 |
| 559 | 22 | PA | D04887J | 27 | | 27-61-11 | TB0248D | A007 | 2 | R2 | 3 | MLA-F2 | VL001-VL006 |
| 559 | 22 | PA | D04887J | 27 | | 27-61-11 | TB0158D | A015 | 2 | R2 | 3 | MNU-T2 ZSZ-B6 | |
| 559 | 22 | PA | D04887J | 27 | | 27-61-11 | TB0182D | A022 | 2 | R2 | 3 | MLA-F2 MNU-T2 | VN171-VN173 |
| 560 | 22 | PA | TB0158D | C013 | 2 | 27-61-11 | TB0158D | C014 | 2 | R2 | 3 | ZSZ-B6 | VN231-VN232 |
| 560 | 22 | PA | TB0158D | C014 | 2 | 27-61-11 | TB0158D | C014 | 2 | R2 | 3 | ZSZ-B6 | VK046-VK050, VK131-VK133, VL012-VL040, VN233-VN234, VN251-VN259, VN301-VN303, VN541-VN541 |

286T1080-300
Wire Bundle Assembly
Figure 114 (Sheet 91)

25-71-01



COMPONENT
MAINTENANCE MANUAL

| WIRE | | FROM EQUIPMENT | | | TO EQUIPMENT | | | WIRE INFO | | | | | |
|--------|----|----------------|---------|------|--------------|----------|---------|-----------|----|---------|----|------------------|--|
| NUMBER | GA | TYP | NUMBER | TERM | TT | WDM REF | NUMBER | TERM | TT | EMC/SEP | FT | NOTES | EFFECTIVITY |
| 560 | 22 | PA | TB0248D | C007 | 2 | 27-61-11 | TB0248D | C008 | 2 | R2 | 2 | MNU-B2 ZSZ-B6 | VL001-VL006 |
| 560 | 22 | PA | TB0158D | C015 | 2 | 27-61-11 | TB0158D | C028 | 2 | R2 | 2 | MNU-B2 | VN171-VN173 |
| 560 | 22 | PA | TB0182D | C022 | 2 | 27-61-11 | TB0158D | C028 | 2 | R2 | 2 | MNU-B2 ZSZ-B6 | VN231-VN232 |
| 600 | 22 | PA | D02676 | 44 | | 27-41-21 | D04887J | 26 | | R2 | 3 | | VK001-VK080, VK171-VK190, VL931-VL940, VN221-VN230, VN491-VN530, VN671-VN675, VN681-VN730, VN931-VN950, VN966-VN967, VN971-VN990, VR421-VR421, VR461-VR461, VR471-VR471, VS091-VS094, VS206-VS207 |
| 600 | 22 | PA | D02676 | 44 | | 27-41-21 | D04887J | 26 | | R2 | 3 | | VK131-VK140, VK161-VK170, VL001-VL040, VL751-VL790, VL796-VL805, VL891-VL930, VN001-VN050, VN171-VN190, VN211-VN220, VN231-VN290, VN301-VN340, VN371-VN490, VN531-VN650, VN791-VN810, VN921-VN930, VN951-VN960, VS051-VS052, VS061-VS061, VS066-VS070, VS176-VS177 VS196-VS199, VS261-VS262 |
| 600 | 22 | PA | D02676 | 44 | | 27-41-21 | D04887J | 26 | | R2 | 1 | | VL806-VL810, VL871-VL880, VS073-VS073, VS266-VS268 |
| 600 | 22 | PA | D02676 | 44 | | 27-41-21 | D04887J | 26 | | R2 | 1 | | VN968-VN970, VS131-VS132 |
| 601 | 24 | PK | D04809J | 23 | | 31-51-42 | TB0182D | C026 | 2 | R2 | 3 | | VK001-VK054, VK131-VK140, VK161-VK170, VK181-VK190, VL001-VL040, VL751-VL790, VL796-VL805, VL911-VL940, VN001-VN050, VN211-VN250, VN301-VN340, VN371-VN650, VN671-VN675, VN681-VN730, VN791-VN810, VN921-VN960, VN966-VN967, VN971-VN990, VR461-VR461, VS051-VS052 VS091-VS094, VS176-VS177, VS196-VS199, VS206-VS207, VS261-VS262 |
| 601 | 24 | PK | D04809J | 23 | | 31-51-42 | TB0182D | C026 | 2 | R2 | 3 | | VK055-VK080, VK171-VK180, VL891-VL910, VR421-VR421, VR471-VR471 |
| 601 | 24 | PK | D04809J | 23 | | 31-51-42 | TB0182D | C026 | 2 | R2 | 2 | | VL806-VL810, VL871-VL880, VN968-VN970, VS073-VS073, VS131-VS132, VS266-VS268 |
| 601 | 24 | PK | D04809J | 23 | | 31-51-42 | TB0182D | C026 | 2 | R2 | 4 | | VN171-VN190, VN251-VN290, VS061-VS061, VS066-VS070 |
| 609 | 24 | PV | D08032J | 11 | | 73-21-17 | TB0248Z | 5 | BJ | R2 | 3 | | VK055-VK080, VK171-VK180, VR421-VR421, VR471-VR471 |

286T1080-300
Wire Bundle Assembly
Figure 114 (Sheet 92)

25-71-01

| WIRE | | FROM EQUIPMENT | | | TO EQUIPMENT | | | WIRE INFO | | | | | |
|--------|----|----------------|---------|------|--------------|----------|---------|-----------|----|---------|----|-------|---|
| NUMBER | GA | TYP | NUMBER | TERM | TT | WDM REF | NUMBER | TERM | TT | EMC/SEP | FT | NOTES | EFFECTIVITY |
| 609 | 24 | PV | D08032J | 11 | | 73-21-17 | TB0248Z | 5 | BJ | R2 | 3 | | VK161-VK170, VL011-VL040, VL796-VL805, VL931-VL940, VN171-VN190, VN211-VN230, VN241-VN290, VN371-VN420, VN491-VN545, VN551-VN633, VN671-VN675, VN681-VN730, VN931-VN950, VN966-VN967, VN971-VN990, VS061-VS061, VS066-VS070, VS091-VS094, VS206-VS207 |
| 609 | 24 | PV | D08032J | 11 | | 73-21-17 | TB0248Z | 5 | BJ | R2 | 2 | | VL806-VL810, VL871-VL880 |
| 609Z | | | D08032J | | | 73-21-17 | TB0248Z | 6 | BJ | R2 | | | VK055-VK080, VK171-VK180, VR421-VR421, VR471-VR471 |
| 609Z | | | D08032J | | | 73-21-17 | TB0248Z | 6 | BJ | R2 | | | VK161-VK170, VL011-VL040, VL796-VL810, VL931-VL940, VN171-VN190, VN211-VN230, VN241-VN290, VN371-VN420, VN491-VN545, VN551-VN633, VN671-VN675, VN681-VN730, VN931-VN950, VN966-VN967, VN971-VN990, VS061-VS061, VS066-VS070, VS091-VS094, VS206-VS207 |
| 609Z | | | D08032J | | | 73-21-17 | TB0248Z | 6 | BJ | R2 | | | VL871-VL880 |
| 614 | 24 | PK | D05552J | 20 | | 73-21-11 | TB0248Z | 6 | BJ | R2 | | | VK055-VK080, VR471-VR471 |
| 614 | 24 | PK | D05552J | 20 | | 73-21-11 | TB0248Z | C016 | BJ | R2 | 3 | | VK161-VK161, VN223-VN224, VN251-VN260, VN671-VN672, VN681-VN683 |
| 614 | 24 | PK | D05552J | 20 | | 73-21-18 | TB0248Z | C016 | BJ | R2 | 3 | | VN672, VN681-VN683 |
| 614 | 24 | PK | D05552J | 20 | | 73-21-11 | TB0248Z | C016 | BJ | R2 | 3 | | VK162-VK170, VL931-VL940, VN225-VN230, VN261-VN290, VN673-VN675, VN684-VN730, VN931-VN950, VS066-VS070, VS206-VS207 |
| 614 | 24 | PK | D05552J | 20 | | 73-21-11 | TB0248Z | C016 | BJ | R2 | 2 | | VL806-VL810 |
| 614 | 24 | PK | D05552J | 20 | | 73-21-18 | TB0248Z | C016 | BJ | R2 | 5 | | VN221-VN222 |
| 616 | 24 | PK | SP04014 | | W | 77-35-11 | D05552J | 15 | | R2 | | | VK001-VK009, VK021-VK022 |
| 616 | 24 | PK | SP04014 | | W | 77-35-11 | D05552J | 15 | | R2 | 4 | | VK010-VK011, VK023-VK030 |
| 617 | 24 | PK | TB0248Y | A004 | BJ | 77-35-11 | D05552J | 20 | | R2 | 5 | | VK001-VK009, VK021-VK022 |
| 617 | 24 | PK | TB0248Y | A004 | BJ | 77-35-11 | D05552J | 20 | | R2 | 3 | | VK010-VK011, VK023-VK030 |
| 618 | 24 | PK | D05644J | 11 | | 21-58-11 | TB0158F | C011 | 2 | R2 | 3 | | VL806-VL810, VN174-VN190, VS061-VS061 |
| 618 | 24 | PK | D05644J | 11 | | 21-58-11 | TB0158F | C11 | 2 | R2 | 4 | | VN225-VN230 |
| 618 | 24 | PK | D05644J | 11 | | 21-58-11 | TB0158F | C011 | 2 | R2 | 4 | | VN966-VN967, VN971-VN990 |
| 618 | 24 | PK | D05644J | 11 | | 21-58-11 | TB0158F | C011 | 2 | R2 | 2 | | VN968-VN970, VS131-VS132 |
| 618 | 24 | PK | D05644J | 11 | | 21-58-11 | TB0158F | C011 | 2 | R2 | 2 | | VS261-VS262 |

286T1080-300
Wire Bundle Assembly
Figure 114 (Sheet 93)

25-71-01



BOEING
COMPONENT
MAINTENANCE MANUAL

| WIRE | | FROM EQUIPMENT | | | TO EQUIPMENT | | | WIRE INFO | | | | | |
|--------|----|----------------|---------|------|--------------|----------|---------|-----------|----|-----------|----|-------|---|
| NUMBER | GA | TYP | NUMBER | TERM | TT | WDM REF | NUMBER | TERM | TT | EMC / SEP | FT | NOTES | EFFECTIVITY |
| 685 | 24 | FV | D05766J | 25 | | 73-21-11 | TB0182Y | C006 | BJ | R2 | 3 | | VK055-VK080, VK161-VK180, VL011-VL040, VL796-VL805, VL931-VL940, VN171-VN190, VN211-VN230, VN241-VN290, VN371-VN420, VN491-VN545, VN551-VN633, VN671-VN675, VN681-VN730, VN931-VN950, VN966-VN967, VN971-VN990, VR421-VR421, VR471-VR471, VS061-VS061, VS066-VS070 VS091-VS094, VS206-VS207 |
| 685 | 24 | FV | D05766J | 25 | | 73-21-11 | TB0182Y | C006 | BJ | R2 | 2 | | VL806-VL810, VL871-VL880 |
| 685Z | | | D05766J | 26 | | 73-21-11 | TB0182Y | C004 | BJ | R2 | | | VK055-VK080, VK161-VK180, VL011-VL040, VL796-VL810, VL871-VL880, VL931-VL940, VN171-VN190, VN211-VN230, VN241-VN290, VN371-VN420, VN491-VN545, VN551-VN633, VN671-VN675, VN681-VN730, VN931-VN950, VN966-VN967, VN971-VN990, VR421-VR421, VR471-VR471, VS061-VS061, VS066-VS070, VS091-VS094, VS206-VS207 |
| 700 | 24 | PK | D02676 | 14 | | 31-31-21 | D04809J | 17 | | R2 | 2 | | VK012-VK020, VK181-VK190, VR461-VR461 |
| 700 | 24 | PK | D02676 | 14 | | 31-31-21 | D04809J | 17 | | R2 | 3 | | VN221-VN230, VN251-VN290, VN371-VN375, VN491-VN530, VN631-VN633, VN671-VN675, VN791-VN810, VS066-VS070, VS091-VS094 |
| 700 | 24 | PK | D02676 | 14 | | 31-31-21 | D04809J | 17 | | R2 | 1 | | VS073-VS073, VS266-VS268 |
| 701 | 22 | PA | TB0182Y | C001 | BJ | 21-51-21 | D08032J | 54 | | R2 | 3 | | VK001-VK054, VK131-VK140, VK161-VK170, VK181-VK190, VL001-VL040, VL751-VL790, VL796-VL805, VL911-VL940, VN001-VN050, VN171-VN190, VN211-VN290, VN301-VN340, VN371-VN650, VN671-VN675, VN681-VN730, VN791-VN810, VN921-VN960, VN966-VN967, VN971-VN990, VR461-VR461 VS051-VS052, VS061-VS061, VS066-VS070, VS091-VS094, VS176-VS177, VS196-VS199, VS206-VS207, VS261-VS262 |
| 701 | 22 | PA | TB0182Y | C001 | BJ | 21-51-21 | D08032J | 54 | | R2 | 3 | | VK055-VK080, VK171-VK180, VR421-VR421, VR471-VR471 |
| 701 | 22 | PA | TB0182Y | C001 | BJ | 21-51-21 | D08032J | 54 | | R2 | 2 | | VL806-VL810, VL871-VL880, VN968-VN970, VS073-VS073, VS131-VS132, VS266-VS268 |
| 701 | 22 | PA | TB0182Y | C001 | BJ | 21-51-21 | D08032J | 54 | | R2 | 3 | | VL891-VL910 |
| 703 | 24 | PK | D04809J | 18 | | 31-31-21 | D02676 | 16 | | R2 | 2 | | VK012-VK020, VK181-VK190, VR461-VR461 |
| 703 | 24 | PK | D04809J | 18 | | 31-31-21 | D02676 | 16 | | R2 | 3 | | VN221-VN230, VN251-VN290, VN371-VN375, VN491-VN530, VN631-VN633, VN671-VN675, VN791-VN810, VS066-VS070, VS091-VS094 |

286T1080-300
Wire Bundle Assembly
Figure 114 (Sheet 94)

25-71-01

| WIRE | | FROM EQUIPMENT | | | TO EQUIPMENT | | | WIRE INFO | | | | | |
|--------|----|----------------|---------|------|--------------|----------|---------|-----------|----|---------|----|-------|--|
| NUMBER | GA | TYP | NUMBER | TERM | TT | WDM REF | NUMBER | TERM | TT | EMC/SEP | FT | NOTES | EFFECTIVITY |
| 703 | 24 | PK | D04809J | 18 | | 31-31-21 | D02676 | 16 | | R2 | 1 | | VS073-VS073, VS266-VS268 |
| 706 | 24 | PK | D08032J | 51 | | 30-31-21 | TB0248Y | A014 | BJ | R2 | 3 | | VK001-VK054, VK131-VK140, VK161-VK170, VK181-VK190, VL001-VL040, VL751-VL790, VL796-VL805, VL911-VL940, VM001-VN050, VN171-VN190, VN211-VN290, VN301-VN340, VN371-VN650, VN671-VN675, VN681-VN730, VN791-VN810, VN921-VN960, VN966-VN967, VN971-VN990, VR461-VR461, VS051-VS052, VS061-VS061, VS066-VS070, VS091-VS094, VS176-VS177, VS196-VS199, VS206-VS207, VS261-VS262 |
| 706 | 24 | PK | D08032J | 51 | | 30-31-21 | TB0248Y | A014 | BJ | R2 | 3 | | VK055-VK080, VK171-VK180, VR421-VR421, VR471-VR471 |
| 706 | 24 | PK | D08032J | 51 | | 30-31-21 | TB0248Y | A014 | BJ | R2 | 2 | | VL806-VL810, VL871-VL880, VN968-VN970, VS073-VS073, VS131-VS132, VS266-VS268 |
| 706 | 24 | PK | D08032J | 51 | | 30-31-21 | TB0248Y | A014 | BJ | R2 | 3 | | VL891-VL910 |
| 707 | 24 | PK | D08032J | 52 | | 30-34-21 | TB0248X | D002 | BJ | R2 | 3 | | VK001-VK011, VK021-VK030, VL931-VL940, VM221-VM230, VM491-VN530, VM671-VN675, VM681-VN730, VN931-VN950, VN966-VN967, VN971-VN990, VS091-VS094, VS206-VS207 |
| 707 | 24 | PK | D08032J | 52 | | 30-34-21 | TB0248X | D002 | BJ | R2 | 3 | | VK055-VK080, VK171-VK180, VR421-VR421, VR471-VR471 |
| 707 | 24 | PK | TB0248X | D002 | BJ | 30-34-21 | D08032J | 52 | | R2 | 3 | | VK161-VK170, VL011-VL040, VL796-VL805, VN171-VN190, VN211-VN220, VN241-VN290, VN371-VN420, VN531-VN545, VN551-VN633, VS061-VS061, VS066-VS070 |
| 707 | 24 | PK | TB0248X | D002 | BJ | 30-34-21 | D08032J | 52 | | R2 | 2 | | VL806-VL810, VL871-VL880 |
| 708 | 24 | PK | D01870 | 24 | | 21-51-13 | D05552J | 5 | | R2 | 4 | | VK001-VK080, VK131-VK140, VK161-VK190, VL001-VL040, VL751-VL790, VL796-VL805, VL891-VL940, VM001-VN050, VN171-VN190, VN211-VN290, VN301-VN340, VN371-VN650, VN671-VN675, VN681-VN730, VN791-VN810, VN921-VN960, VN966-VN967, VN971-VN990, VR421-VR421, VR461-VR461, VS051-VS052, VS061-VS061, VS066-VS070, VS091-VS094, VS176-VS177, VS196-VS199, VS206-VS207, VS261-VS262 |
| 708 | 24 | PK | D01870 | 24 | | 21-51-13 | D05552J | 5 | | R2 | 2 | | VL806-VL810, VL871-VL880, VN968-VN970, VS073-VS073, VS131-VS132, VS266-VS268 |

 286T1080-300
 Wire Bundle Assembly
 Figure 114 (Sheet 95)

25-71-01



BOEING
COMPONENT
MAINTENANCE MANUAL

| WIRE | | FROM EQUIPMENT | | | TO EQUIPMENT | | | WIRE INFO | | | | | |
|--------|----|----------------|---------|------|--------------|----------|---------|-----------|----|---------|----|-------|--|
| NUMBER | GA | TYP | NUMBER | TERM | TT | WDM REF | NUMBER | TERM | TT | EMC/SEP | FT | NOTES | EFFECTIVITY |
| 712 | 24 | PK | D01874 | 2 | | 21-25-11 | TB0248D | A020 | 2 | R2 | 4 | | VK001-VK080, VK131-VK140, VK161-VK190, VL001-VL040, VL751-VL790, VL796-VL805, VL891-VL940, VN001-VN050, VN171-VN190, VN211-VN290, VN301-VN340, VN371-VN650, VN671-VN675, VN681-VN730, VN791-VN810, VN921-VN960, VN966-VN967, VN971-VN990, VR421-VR421, VR461-VR461 VR471-VR471, VS051-VS052, VS061-VS061, VS066-VS070, VS091-VS094, VS176-VS177, VS196-VS199, VS206-VS207, VS261-VS262 |
| 712 | 24 | PK | D01874 | 2 | | 21-25-11 | TB0248D | A020 | 2 | R2 | 2 | | VL806-VL810, VL871-VL880, VN968-VN970, VS073-VS073, VS131-VS132, VS266-VS268 |
| 713 | 24 | PK | TB0248D | C020 | 2 | 21-25-11 | TB0248Y | C010 | BJ | R2 | 3 | | VK001-VK054, VK131-VK140, VK161-VK170, VK181-VK190, VL001-VL040, VL751-VL790, VL796-VL805, VL911-VL940, VN001-VN050, VN171-VN190, VN211-VN290, VN301-VN340, VN371-VN650, VN671-VN675, VN681-VN730, VN791-VN810, VN921-VN960, VN966-VN967, VN971-VN990, VR421-VR421, VR461-VR461 VS051-VS052, VS061-VS061, VS066-VS070, VS091-VS094, VS176-VS177, VS196-VS199, VS206-VS207, VS261-VS262 |
| 713 | 24 | PK | TB0248D | C020 | 2 | 21-25-11 | TB0248Y | C010 | BJ | R2 | 3 | | VK055-VK080, VK171-VK180, VR421-VR421, VR471-VR471 |
| 713 | 24 | PK | TB0248D | C020 | 2 | 21-25-11 | TB0248Y | C010 | BJ | R2 | | | VL806-VL810, VN968-VN970, VS073-VS073, VS131-VS132, VS266-VS268 |
| 713 | 24 | PK | TB0248D | C020 | 2 | 21-25-11 | TB0248Y | C010 | BJ | R2 | 3 | | VL871-VL880 |
| 713 | 24 | PK | TB0248D | C020 | 2 | 21-25-11 | TB0248Y | C010 | BJ | R2 | 3 | | VL891-VL910 |
| 714 | 22 | PA | D08032J | 53 | | 73-21-19 | D02676 | 28 | | R2 | 3 | | VK001-VK080, VK131-VK140, VK161-VK190, VL001-VL040, VL751-VL790, VL796-VL805, VL891-VL940, VN001-VN050, VN171-VN190, VN211-VN290, VN301-VN340, VN371-VN650, VN671-VN675, VN681-VN730, VN791-VN810, VN921-VN960, VN966-VN967, VN971-VN990, VR421-VR421, VR461-VR461 VR471-VR471, VS051-VS052, VS061-VS061, VS066-VS070, VS091-VS094, VS176-VS177, VS196-VS199, VS206-VS207, VS261-VS262 |
| 714 | 22 | PA | D08032J | 53 | | 73-21-19 | D02676 | 28 | | R2 | 2 | | VL806-VL810, VL871-VL880, VN968-VN970, VS073-VS073, VS131-VS132, VS266-VS268 |

286T1080-300
Wire Bundle Assembly
Figure 114 (Sheet 96)

25-71-01

TESTING & FAULT ISOLATION
01 Page 142W
Nov 01/02

| WIRE | | FROM EQUIPMENT | | | TO EQUIPMENT | | | WIRE INFO | | | | | |
|--------|----|----------------|---------|------|--------------|----------|---------|-----------|----|---------|----|-------|--|
| NUMBER | GA | TYP | NUMBER | TERM | TT | WDM REF | NUMBER | TERM | TT | EMC/SEP | FT | NOTES | EFFECTIVITY |
| 715 | 22 | PA | D05766J | 15 | | 24-51-52 | TB0248X | A015 | BJ | R2 | 3 | | VK001-VK054, VK131-VK140, VK161-VK170, VK181-VK190, VL001-VL040, VL796-VL805, VN001-VN050, VN171-VN173, VN211-VN220, VN231-VN232, VN241-VN290, VN301-VN340, VN371-VN470, VN531-VN650, VR461-VR461, VS066-VS070, VS176-VS177, VS196-VS199 |
| 715 | 22 | PA | D05766J | 15 | | 24-51-52 | TB0248Y | A009 | BJ | R2 | 3 | | VK055-VK080, VK171-VK180, VL751-VL790, VL891-VL940, VN174-VN190, VN221-VN230, VN233-VN240, VN471-VN530, VN671-VN675, VN681-VN730, VN791-VN810, VN921-VN960, VN966-VN967, VN971-VN990, VR421-VR421, VR471-VR471, VS051-VS052, VS061-VS061, VS091-VS094, VS206-VS207 VS261-VS262 |
| 715 | 22 | PA | D05766J | 15 | | 24-51-52 | TB0248X | A015 | BJ | R2 | 2 | | VL806-VL810, VL871-VL880, VS073-VS073, VS266-VS268 |
| 715 | 22 | PA | D05766J | 15 | | 24-51-52 | TB0248Y | A009 | BJ | R2 | 2 | | VN968-VN970, VS131-VS132 |
| 716 | 22 | PA | D05766J | 16 | | 24-51-52 | TB0248X | B015 | BJ | R2 | 3 | | VK001-VK054, VK131-VK140, VK161-VK170, VK181-VK190, VL001-VL040, VL796-VL805, VN001-VN050, VN171-VN173, VN211-VN220, VN231-VN232, VN241-VN290, VN301-VN340, VN371-VN470, VN531-VN650, VR461-VR461, VS066-VS070, VS176-VS177, VS196-VS199 |
| 716 | 22 | PA | D05766J | 16 | | 24-51-52 | TB0248Y | A010 | BJ | R2 | 3 | | VK055-VK080, VK171-VK180, VL931-VL940, VN174-VN190, VN221-VN230, VN491-VN530, VN671-VN675, VN681-VN730, VN931-VN950, VN966-VN967, VN971-VN990, VR421-VR421, VR471-VR471, VS061-VS061, VS091-VS094, VS206-VS207 |
| 716 | 22 | PA | D05766J | 16 | | 24-51-52 | TB0248Y | A013 | BJ | R2 | 3 | | VL751-VL790, VL891-VL930, VN233-VN240, VN471-VN490, VN791-VN810, VN921-VN930, VN951-VN960, VS051-VS052, VS261-VS262 |
| 716 | 22 | PA | D05766J | 16 | | 24-51-52 | TB0248X | B015 | BJ | R2 | 2 | | VL806-VL810, VL871-VL880, VS073-VS073, VS266-VS268 |
| 716 | 22 | PA | D05766J | 16 | | 24-51-52 | TB0248Y | A013 | BJ | R2 | 2 | | VN968-VN970, VS131-VS132 |
| 717 | 22 | PA | D02176 | 14 | | 21-58-15 | GDX0004 | D.. | 2 | R2 | 4 | | VK001-VK003 |
| 718 | 22 | PA | D05766J | 17 | | 24-51-52 | TB0248X | C015 | BJ | R2 | 3 | | VK001-VK054, VK131-VK140, VK161-VK170, VK181-VK190, VL001-VL040, VL796-VL805, VN001-VN050, VN171-VN173, VN211-VN220, VN241-VN290, VN301-VN340, VN371-VN470, VN531-VN650, VR461-VR461, VS066-VS070, VS176-VS177, VS196-VS199 |

286T1080-300
Wire Bundle Assembly
Figure 114 (Sheet 97)

25-71-01



BOEING
COMPONENT
MAINTENANCE MANUAL

| WIRE | | | FROM EQUIPMENT | | | TO EQUIPMENT | | | WIRE INFO | | | | |
|--------|----|-----|----------------|------|----|--------------|---------|------|-----------|---------|----|-------|---|
| NUMBER | GA | TYP | NUMBER | TERM | TT | WDM REF | NUMBER | TERM | TT | EMC/SEP | FT | NOTES | EFFECTIVITY |
| 718 | 22 | PA | D05766J | 17 | | 24-51-52 | TB0248X | C015 | BJ | R2 | 2 | | VL806-VL810, VL871-VL880, VS073-VS073, VS266-VS268 |
| 719 | 22 | PA | D05766J | 18 | | 24-51-52 | TB0248X | D015 | BJ | R2 | 3 | | VK001-VK054, VK131-VK140, VK161-VK170, VK181-VK190, VL001-VL040, VL796-VL805, VN001-VN050, VN171-VN173, VN211-VN220, VN241-VN290, VN301-VN340, VN371-VN470, VNS31-VN650, VR461-VR461, VS066-VS070, VS176-VS177, VS196-VS199 |
| 719 | 22 | PA | D05766J | 18 | | 24-51-52 | TB0248X | D015 | BJ | R2 | 2 | | VL806-VL810, VL871-VL880, VS073-VS073, VS266-VS268 |
| 720 | 24 | PK | D02162 | 30 | | 73-21-15 | TB0158G | 10 | 2 | R2 | 4 | | VK001-VK011, VK021-VK030 |
| 720 | 24 | PK | D02176 | 24 | | 21-24-11 | TB0182X | A018 | BJ | R2 | 3 | | VK031-VK054 |
| 720 | 24 | PK | D02162 | 24 | | 73-21-15 | TB0158G | 10 | 2 | R2 | 3 | | VK055-VK080, VK171-VK180, VR421-VR421, VR471-VR471 |
| 720 | 24 | PK | TB0158G | 10 | 2 | 73-21-15 | D02162 | 24 | | R2 | 4 | | VK161-VK170, VL011-VL040, VL796-VL805, VN171-VN190, VN211-VN220, VN241-VN290, VN371-VN420, VNS31-VNS45, VNS51-VN633, VS061-VS061, VS066-VS070 |
| 720 | 24 | PK | TB0158G | 10 | 2 | 73-21-15 | D02162 | 24 | | R2 | 2 | | VL806-VL810 |
| 720 | 24 | PK | TB0158Y | C008 | BJ | 73-21-15 | D02162 | 24 | | R2 | 2 | | VL871-VL880 |
| 720 | 24 | PK | D02162 | 24 | | 73-21-15 | TB0158G | 10 | 2 | R2 | 4 | | VL931-VL940, VN221-VN230, VN491-VN530, VN671-VN675, VN681-VN730, VN931-VN950, VN966-VN967, VN971-VN990, VS091-VS094, VS206-VS207 |
| 721 | 24 | PK | D02176 | 1 | | 21-24-11 | TB0248Y | A013 | BJ | R2 | 3 | | VK031-VK054 |
| 721 | 24 | PK | D02176 | 1 | | 21-24-11 | TB0248Y | C004 | BJ | R2 | 3 | | VK055-VK080, VR471-VR471 |
| 722 | 22 | PA | D02176 | 25 | | 21-24-11 | TB0182X | B018 | BJ | R2 | 3 | | VK031-VK054, VNS46-VNS50 |
| 722 | 22 | PA | D02176 | 25 | | 21-24-11 | TB0182X | B015 | BJ | R2 | 3 | | VK055-VK080, VN251-VN290, VN491-VNS45, VNS51-VN630, VR471-VR471, VS066-VS070, VS091-VS094 |
| 722 | 22 | PA | D02176 | 25 | | 21-24-11 | TB0182X | B015 | BJ | R2 | 2 | | VS073-VS073, VS266-VS268 |
| 723 | 24 | PK | D02176 | 23 | | 21-24-11 | TB0182X | C018 | BJ | R2 | 3 | | VK031-VK054, VNS46-VNS50 |
| 723 | 24 | PK | D02176 | 23 | | 21-24-11 | TB0182X | C015 | BJ | R2 | 3 | | VK055-VK080, VN251-VN290, VN491-VNS45, VNS51-VN630, VR471-VR471, VS066-VS070, VS091-VS094 |
| 723 | 24 | PK | D02176 | 23 | | 21-24-11 | TB0182X | C015 | BJ | R2 | 2 | | VS073-VS073, VS266-VS268 |
| 724 | 24 | PK | D02176 | 22 | | 21-24-11 | TB0182X | D018 | BJ | R2 | 3 | | VK031-VK054, VNS46-VNS50 |
| 724 | 24 | PK | D02176 | 22 | | 21-24-11 | TB0182X | D016 | BJ | R2 | 3 | | VK055-VK080, VN251-VN290, VN491-VNS45, VNS51-VN630, VR471-VR471, VS066-VS070, VS091-VS091 |
| 724 | 24 | PK | D02176 | 22 | | 21-24-11 | TB0182X | C014 | BJ | R2 | 2 | | VS073-VS073, VS266-VS268 |
| 724 | 24 | PK | D02176 | 22 | | 21-24-11 | TB0182X | D015 | BJ | R2 | 3 | | VS092-VS094 |
| 725 | 22 | PA | D02176 | 3 | | 21-24-11 | GDX0004 | D.. | 2 | R2 | 3 | | VK031-VK080, VR471-VR471 |

286T1080-300
Wire Bundle Assembly
Figure 114 (Sheet 98)

25-71-01

| WIRE | | FROM EQUIPMENT | | | TO EQUIPMENT | | | WIRE INFO | | | | | |
|--------|----|----------------|---------|------|--------------|----------|---------|-----------|----|---------|----|-------|---|
| NUMBER | GA | TYP | NUMBER | TERM | TT | WDM REF | NUMBER | TERM | TT | EMC/SEP | FT | NOTES | EFFECTIVITY |
| 725 | 22 | PA | D02176 | 3 | | 21-24-11 | GDX0004 | D.. | 2 | R2 | 4 | | VN251-VN290, VN491-VN630, VS066-VS070, VS091-VS094 |
| 725 | 22 | PA | D02176 | 3 | | 21-24-11 | GDX0004 | D.. | 2 | R2 | 2 | | VS073-VS073, VS266-VS268 |
| 726 | 22 | PA | D02176 | 4 | | 21-24-11 | GDX0004 | D.. | 2 | R2 | 3 | | VK031-VK080, VR471-VR471 |
| 726 | 22 | PA | D02176 | 4 | | 21-24-11 | GDX0004 | D.. | 2 | R2 | 4 | | VN251-VN290, VN491-VN630, VS066-VS070, VS091-VS094 |
| 726 | 22 | PA | D02176 | 4 | | 21-24-11 | GDX0004 | D.. | 2 | R2 | 2 | | VS073-VS073, VS266-VS268 |
| 728 | 24 | PK | D02176 | 24 | | 21-24-11 | TB0182X | A016 | BJ | R2 | 3 | | VK055-VK080, VN251-VN290, VN491-VN545, VN551-VN630, VR471-VR471, VS066-VS070, VS091-VS091 |
| 728 | 24 | PK | D02176 | 24 | | 21-24-11 | TB0182X | A018 | BJ | R2 | 3 | | VN546-VN550 |
| 728 | 24 | PK | D02176 | 24 | | 21-24-11 | TB0182X | A016 | BJ | R2 | 2 | | VS073-VS073, VS266-VS268 |
| 728 | 24 | PK | D02176 | 24 | | 21-24-11 | TB0182X | A015 | BJ | R2 | 3 | | VS092-VS094 |
| 729 | 24 | PK | D02176 | 1 | | 21-24-11 | TB0248Y | A010 | BJ | R2 | 3 | | VN251-VN290, VS066-VS070 |
| 729 | 24 | PK | D02176 | 1 | | 21-24-11 | TB0248Y | A015 | BJ | R2 | 3 | | VN491-VN530, VS091-VS094 |
| 729 | 24 | PK | D02176 | 1 | | 21-24-11 | TB0248Y | C004 | BJ | R2 | 3 | | VN531-VN545, VN551-VN630 |
| 729 | 24 | PK | D02176 | 1 | | 21-24-11 | TB0248Y | A013 | BJ | R2 | 3 | | VN546-VN550 |
| 729 | 24 | PK | D02176 | 1 | | 21-24-11 | TB0248Y | A010 | BJ | R2 | 2 | | VS073-VS073, VS266-VS268 |
| 730 | 24 | PK | D08032J | 3 | | 73-21-15 | TB0182X | D014 | BJ | R2 | 2 | | VK012-VK020, VK181-VR461 |
| 730 | 24 | PK | D08032J | 3 | | 73-21-15 | TB0182X | D014 | BJ | R2 | 3 | | VK031-VK054, VK131-VK140, VL001-VL010, VL751-VL790, VL911-VL930, VN001-VN050, VN231-VN240, VN421-VN490, VN546-VN550, VN634-VN650, VN791-VN810, VN921-VN930, VN951-VN960, VS051-VS052, VS176-VS177, VS196-VS199, VS261-VS262 |
| 730 | 24 | PK | D08032J | 3 | | 73-21-15 | TB0182X | D014 | BJ | R2 | 3 | | VL891-VL910 |
| 730 | 24 | PK | D08032J | 3 | | 73-21-15 | TB0182Y | C014 | BJ | R2 | 3 | | VN301-VN340 |
| 730 | 24 | PK | D08032J | 3 | | 73-21-15 | TB0182X | D014 | BJ | R2 | 2 | | VN968-VN970, VS073-VS073, VS131-VS132, VS266-VS268 |
| 731 | 20 | PA | D05766J | 27 | | 36-11-52 | SM00002 | | W | R2 | 2 | | VK012-VK020, VK134-VK140, VK161-VK170, VK181-VK190, VL007-VL010, VL751-VL790, VL796-VL805, VL911-VL940, VN016-VN050, VN174-VN190, VN213-VN220, VN223-VN230, VN235-VN240, VN242-VN250, VN260-VN290, VN304-VN340, VN371-VN470, VN495-VN530, VN533-VN535, VN537-VN540, VN542-VN630, VN633-VN650, VN671-VN675, VN684-VN730, VN791-VN810, VN921-VN960, VN966-VN967, VN971-VN990, VR461-VR461, VS051-VS052, VS061-VS061, VS066-VS070, VS091-VS094, VS176-VS177, VS196-VS199, VS206-VS207, VS261-VS262 |

286T1080-300
Wire Bundle Assembly
Figure 114 (Sheet 99)

25-71-01



BOEING
COMPONENT
MAINTENANCE MANUAL

| WIRE | | | FROM EQUIPMENT | | | TO EQUIPMENT | | | WIRE INFO | | |
|--------|----|-----|----------------|---------|----------|--------------|---------|---------|-----------|-------|---|
| NUMBER | GA | TYP | NUMBER | TERM TT | WDM REF | NUMBER | TERM TT | EMC/SEP | FT | NOTES | EFFECTIVITY |
| 731 | 20 | PA | D05766J | 27 | 36-11-52 | SM00002 | W | R2 | 2 | | VK055-VK080, VK171-VK180, VL891-VL910, VR421-VR421, VR471-VR471 |
| 731 | 20 | PA | D05766J | 27 | 36-11-52 | SM00002 | W | R2 | 1 | | VL806-VL810, VN968-VN970, VS073-VS073, VS131-VS132, VS266-VS268 |
| 740 | 24 | PK | D05644J | 25 | 36-11-52 | SM00001 | W | R2 | 3 | | VK001-VK054, VK181-VK190, VL931-VL940, VN221-VN230, VN491-VN530, VN671-VN675, VN681-VN730, VN931-VN950, VN966-VN967, VN971-VN990, VR461-VR461, VS091-VS094, VS206-VS207 |
| 740 | 24 | PK | D05644J | 25 | 36-11-52 | SM00001 | W | R2 | 3 | | VK055-VK080, VK171-VK180, VR421-VR421, VR471-VR471 |
| 740 | 24 | PK | D05644J | 25 | 36-11-52 | SM00001 | W | R2 | 3 | | VK131-VK140, VK161-VK170, VL001-VL040, VL751-VL790, VL796-VL805, VL911-VL930, VN001-VN050, VN171-VN190, VN211-VN220, VN231-VN290, VN301-VN340, VN371-VN490, VN531-VN650, VN791-VN810, VN921-VN930, VN951-VN960, VS051-VS052, VS061-VS061, VS066-VS070, VS176-VS177 VS196-VS199, VS261-VS262 |
| 740 | 24 | PK | D05644J | 25 | 36-11-52 | SM00001 | W | R2 | 1 | | VL806-VL810, VS073-VS073, VS266-VS268 |
| 740 | 24 | PK | D05644J | 25 | 36-11-52 | SM00001 | W | R2 | 3 | | VL891-VL910 |
| 740 | 24 | PK | D05644J | 25 | 36-11-52 | SM00001 | W | R2 | 1 | | VN968-VN970, VS131-VS132 |
| 741 | 24 | PK | D01876 | 19 | 36-11-52 | SM00001 | W | R2 | 3 | | VK001-VK011, VK021-VK054 |
| 741 | 24 | PK | D01876 | 54 | 36-11-52 | SM00001 | W | R2 | 2 | | VK012-VK020, VK181-VK190, VR461-VR461 |
| 741 | 24 | PK | D01876 | 54 | 36-11-52 | SM00001 | W | R2 | 3 | | VK055-VK080, VK131-VK140, VK161-VK180, VL001-VL040, VL751-VL790, VL796-VL805, VL891-VL940, VN001-VN050, VN171-VN190, VN211-VN290, VN301-VN340, VN371-VN650, VN671-VN675, VN681-VN730, VN791-VN810, VN921-VN960, VN966-VN967, VN971-VN990, VR421-VR421, VR471-VR471 VS051-VS052, VS061-VS061, VS066-VS070, VS091-VS094, VS176-VS177, VS196-VS199, VS206-VS207, VS261-VS262 |
| 741 | 24 | PK | D01876 | 54 | 36-11-52 | SM00001 | W | R2 | 1 | | VL806-VL810, VN968-VN970, VS073-VS073, VS131-VS132, VS266-VS268 |

286T1080-300
Wire Bundle Assembly
Figure 114 (Sheet 100)

25-71-01

| WIRE | | FROM EQUIPMENT | | | TO EQUIPMENT | | | WIRE INFO | | | | | |
|--------|----|----------------|---------|------|--------------|----------|---------|-----------|----|---------|----|-------|---|
| NUMBER | GA | TYP | NUMBER | TERM | TT | WDM REF | NUMBER | TERM | TT | EMC/SEP | FT | NOTES | EFFECTIVITY |
| 742 | 22 | PA | D05644J | 34 | | 36-11-52 | SM00002 | | W | R2 | 3 | | VK001-VK054, VK131-VK140, VK161-VK170, VK181-VK190, VL001-VL040, VL751-VL790, VL796-VL805, VL911-VL940, VN001-VN050, VN171-VN190, VN211-VN290, VN301-VN340, VN371-VN650, VN671-VN675, VN681-VN730, VN791-VN810, VN921-VN960, VN966-VN967, VN971-VN990, VR461-VR461 VS051-VS052, VS061-VS061, VS066-VS070, VS091-VS094, VS176-VS177, VS196-VS199, VS206-VS207, VS261-VS262 |
| 742 | 22 | PA | D05644J | 34 | | 36-11-52 | SM00002 | | W | R2 | 3 | | VK055-VK080, VK171-VK180, VR421-VR421, VR471-VR471 |
| 742 | 22 | PA | D05644J | 34 | | 36-11-52 | SM00002 | | W | R2 | 1 | | VL806-VL810, VN968-VN970, VS073-VS073, VS131-VS132, VS266-VS268 |
| 742 | 22 | PA | D05644J | 34 | | 36-11-52 | SM00002 | | W | R2 | 3 | | VL891-VL910 |
| 743 | 22 | PA | D01876 | 1 | | 36-11-52 | SM00002 | | W | R2 | 3 | | VK001-VK011, VK021-VK054 |
| 743 | 22 | PA | D01876 | 59 | | 36-11-52 | SM00002 | | W | R2 | 3 | | VK012-VK020, VK055-VK080, VK131-VK140, VK161-VK190, VL001-VL040, VL751-VL790, VL796-VL805, VL891-VL940, VN001-VN050, VN171-VN190, VN211-VN290, VN301-VN340, VN371-VN650, VN671-VN675, VN681-VN730, VN791-VN810, VN921-VN960, VN966-VN967, VN971-VN990, VR421-VR421 VR461-VR461, VR471-VR471, VS051-VS052, VS061-VS061, VS066-VS070, VS091-VS094, VS176-VS177, VS196-VS199, VS206-VS207, VS261-VS262 |
| 743 | 22 | PA | D01876 | 59 | | 36-11-52 | SM00002 | | W | R2 | 1 | | VL806-VL810, VN968-VN970, VS073-VS073, VS131-VS132, VS266-VS268 |
| 744 | 22 | PA | D05766J | 3 | | 36-11-52 | SM00003 | | W | R2 | 3 | | VK001-VK011, VK021-VK054 |
| 745 | 22 | PA | D01876 | 36 | | 36-11-52 | SM00003 | | W | R2 | 3 | | VK001-VK011, VK021-VK054 |
| 745 | 22 | PA | D01876 | 11 | | 36-11-52 | D05766J | 3 | | R2 | 3 | | VK012-VK020, VK055-VK080, VK131-VK140, VK161-VK190, VL001-VL040, VL751-VL790, VL796-VL805, VL891-VL940, VN001-VN050, VN171-VN190, VN211-VN290, VN301-VN340, VN371-VN650, VN671-VN675, VN681-VN730, VN791-VN810, VN921-VN960, VN966-VN967, VN971-VN990, VR421-VR421 VR461-VR461, VR471-VR471, VS051-VS052, VS061-VS061, VS066-VS070, VS091-VS094, VS176-VS177, VS196-VS199, VS206-VS207, VS261-VS262 |

286T1080-300
Wire Bundle Assembly
Figure 114 (Sheet 101)

25-71-01



BOEING
COMPONENT
MAINTENANCE MANUAL

| WIRE | | FROM EQUIPMENT | | | TO EQUIPMENT | | | WIRE INFO | | | | | |
|--------|----|----------------|---------|------|--------------|----------|---------|-----------|----|---------|----|-------|---|
| NUMBER | GA | TYP | NUMBER | TERM | TT | WDM REF | NUMBER | TERM | TT | EMC/SEP | FT | NOTES | EFFECTIVITY |
| 745 | 22 | PA | D01876 | 11 | | 36-11-52 | D05766J | 3 | | R2 | 2 | | VL806-VL810, VN968-VN970, VS073-VS073, VS131-VS132, VS266-VS268 |
| 746 | 22 | PA | D01876 | 31 | | 36-11-52 | SM00004 | | W | R2 | 3 | | VK001-VK011, VK021-VK054 |
| 746 | 22 | PA | D01876 | 46 | | 36-11-52 | D05766J | 2 | | R2 | 3 | | VK012-VK020, VL040, VL751-VL790, VL796-VL805, VL891-VL940, VN001-VN050, VN171-VN190, VN211-VN290, VN301-VN340, VN371-VN650, VN671-VN675, VN681-VN730, VN791-VN810, VN921-VN960, VN966-VN967, VN971-VN990, VR421-VR421, VR461-VR461, VR471-VR471, VS051-VS052, VS061-VS061, VS066-VS070, VS091-VS094, VS176-VS177, VS196-VS199, VS206-VS207, VS261-VS262 |
| 746 | 22 | PA | D01876 | 46 | | 36-11-52 | D05766J | 2 | | R2 | 2 | | VL806-VL810, VN968-VN970, VS073-VS073, VS131-VS132, VS266-VS268 |
| 747 | 22 | PA | D05766J | 2 | | 36-11-52 | SM00004 | | W | R2 | 3 | | VK001-VK011, VK021-VK054 |
| 748 | 22 | PA | SM00005 | | W | 36-11-62 | D01876 | 9 | | R2 | 3 | | VK001-VK011, VK021-VK054 |
| 749 | 22 | PA | SM00005 | | W | 36-11-62 | D01876 | 29 | | R2 | 3 | | VK001-VK011, VK021-VK054 |
| 750 | 22 | PA | SM00006 | | W | 36-11-62 | D01876 | 27 | | R2 | 3 | | VK001-VK011, VK021-VK054 |
| 751 | 22 | PA | SM00006 | | W | 36-11-62 | D01876 | 6 | | R2 | 3 | | VK001-VK011, VK021-VK054 |
| 752 | 24 | PK | D01876 | 25 | | 36-11-62 | D05766J | 12 | | R2 | 3 | | VK001-VK011, VK021-VK054 |
| 752 | 24 | PK | D01876 | 19 | | 36-11-62 | D05766J | 12 | | R2 | 3 | | VK012-VK020, VK131-VK140, VK181-VK190, VL001-VL010, VL751-VL790, VL891-VL930, VN001-VN050, VN231-VN240, VN301-VN340, VN421-VN490, VN546-VN550, VN634-VN650, VN791-VN810, VN921-VN930, VN951-VN960, VR461-VR461, VS051-VS052, VS176-VS177, VS196-VS199, VS261-VS262 |
| 752 | 24 | PK | D01876 | 19 | | 36-11-62 | D05766J | 12 | | R2 | 3 | | VK012-VK020, VK131-VK140, VK181-VK190, VL001-VL010, VL751-VL790, VL891-VL930, VN001-VN050, VN231-VN240, VN301-VN340, VN421-VN490, VN546-VN550, VN634-VN650, VN791-VN810, VN921-VN930, VN951-VN960, VR461-VR461, VS051-VS052, VS176-VS177, VS196-VS199, VS261-VS262 |
| 752 | 24 | PK | D01876 | 19 | | 36-11-62 | D05766J | 12 | | R2 | 3 | | VK012-VK020, VK131-VK140, VK181-VK190, VL001-VL010, VL751-VL790, VL891-VL930, VN001-VN050, VN231-VN240, VN301-VN340, VN421-VN490, VN546-VN550, VN634-VN650, VN791-VN810, VN921-VN930, VN951-VN960, VR461-VR461, VS051-VS052, VS176-VS177, VS196-VS199, VS261-VS262 |
| 752 | 24 | PK | D01876 | 19 | | 36-11-62 | D05766J | 12 | | R2 | 3 | | VK012-VK020, VK131-VK140, VK181-VK190, VL001-VL010, VL751-VL790, VL891-VL930, VN001-VN050, VN231-VN240, VN301-VN340, VN421-VN490, VN546-VN550, VN634-VN650, VN791-VN810, VN921-VN930, VN951-VN960, VR461-VR461, VS051-VS052, VS176-VS177, VS196-VS199, VS261-VS262 |
| 753 | 22 | PA | D01876 | 35 | | 36-22-11 | TB0248Y | C009 | BJ | R2 | 4 | | VN968-VN970, VS073-VS073, VS131-VS132, VS266-VS268 |
| 753 | 22 | PA | D01876 | 3 | | 36-22-11 | TB0248Y | C009 | BJ | R2 | 3 | | VK012-VK020, VK181-VK190, VL806-VL810, VN968-VN970, VR461-VR461, VS073-VS073, VS131-VS132, VS266-VS268 |

286T1080-300
Wire Bundle Assembly
Figure 114 (Sheet 102)

25-71-01

| WIRE | | FROM EQUIPMENT | | | TO EQUIPMENT | | | WIRE INFO | | | | | |
|--------|----|----------------|---------|------|--------------|----------|---------|-----------|----|---------|----|-------|---|
| NUMBER | GA | TYP | NUMBER | TERM | TT | WDM REF | NUMBER | TERM | TT | EMC/SEP | FT | NOTES | EFFECTIVITY |
| 753 | 22 | PA | D01876 | 3 | | 36-22-11 | TB0248Y | C009 | BJ | R2 | 4 | | VK055-VK080, VK131-VK140, VK161-VK180, VL001-VL040, VL751-VL790, VL796-VL805, VL891-VL940, VN001-VN050, VN171-VN190, VN211-VN290, VN301-VN340, VN371-VN650, VN671-VN675, VN681-VN730, VN791-VN810, VN921-VN960, VN966-VN967, VN971-VN990, VR421-VR421, VR471-VR471 VS051-VS052, VS061-VS061, VS066-VS070, VS091-VS094, VS176-VS177, VS196-VS199, VS206-VS207, VS261-VS262 |
| 754 | 24 | PK | D08032J | 42 | | 21-58-11 | TB0182Y | A001 | BJ | R2 | 3 | | VN001-VN050, VS196-VS199 |
| 755 | 24 | PK | D01872 | 2 | | 21-58-11 | D05644J | 9 | | R2 | 3 | | VN001-VN050, VS196-VS199 |
| 763 | 22 | PA | D02162 | 20 | | 73-21-11 | SP04014 | | W | R2 | 4 | | VK001-VK009, VK021-VK022 |
| 763 | 22 | PA | D02162 | 20 | | 73-21-11 | SP04014 | | W | R2 | 3 | | VK010-VK011, VK023-VK030 |
| 764 | 24 | PV | D08032J | 48 | | 73-21-11 | TB0248Z | 5 | BJ | R2 | 3 | | VK001-VK011, VK021-VK030, VK161-VK170, VL011-VL040, VL796-VL805, VL931-VL940, VN171-VN190, VN211-VN230, VN241-VN290, VN371-VN420, VN491-VN545, VN551-VN633, VN671-VN675, VN681-VN730, VN931-VN950, VN966-VN967, VN971-VN990, VS061-VS061, VS066-VS070, VS091-VS094 VS206-VS207 |
| 764 | 24 | PV | D08032J | 48 | | 73-21-11 | TB0248Z | 5 | BJ | R2 | 3 | | VK055-VK080, VK171-VK180, VR421-VR421, VR471-VR471 |
| 764 | 24 | PK | D08032J | 48 | | 73-21-11 | TB0182G | 24 | 2 | R2 | 3 | | VL001-VL010, VN001-VN050, VN301-VN340, VS196-VS199 |
| 764 | 24 | PV | D08032J | 48 | | 73-21-11 | TB0248Z | 5 | BJ | R2 | 2 | | VL806-VL810, VL871-VL880 |
| 764Z | | | D08032J | 49 | | 73-21-11 | TB0248Z | 6 | BJ | R2 | | | VK001-VK011, VK021-VK030 |
| 764Z | | | D08032J | | | 73-21-11 | TB0248Z | 6 | BJ | R2 | | | VK055-VK080, VK171-VK180, VR421-VR421, VR471-VR471 |
| 764Z | | | D08032J | | | 73-21-11 | TB0248Z | 6 | BJ | R2 | | | VK161-VK170, VL011-VL040, VL796-VL810, VL871-VL880, VL931-VL940, VN171-VN190, VN211-VN230, VN241-VN290, VN371-VN420, VN491-VN545, VN551-VN633, VN671-VN675, VN681-VN730, VN931-VN950, VN966-VN967, VN971-VN990, VS061-VS061, VS066-VS070, VS091-VS094, VS206-VS207 |
| 766 | 24 | PK | D02676 | 24 | | 21-51-21 | TB0182D | C021 | 2 | R2 | 4 | | VK001-VK011, VK021-VK054, VL001-VL040, VN001-VN015, VN171-VN190, VN211-VN222, VS061-VS061 |
| 768 | 24 | PK | D08032J | 40 | | 21-58-11 | TB0158G | 2 | 2 | R2 | 2 | | VK001-VK009, VK021-VK022, VK031-VK045, VL001-VL006, VL011-VL011, VN001-VN015, VN171-VN173, VN211-VN212, VN221-VN222, VN231-VN232, VN241-VN241 |

 286T1080-300
 Wire Bundle Assembly
 Figure 114 (Sheet 103)

25-71-01

 TESTING & FAULT ISOLATION
 01
 Page 144B
 Nov 01/02



BOEING
COMPONENT
MAINTENANCE MANUAL

| WIRE | | FROM EQUIPMENT | | | TO EQUIPMENT | | | WIRE INFO | | | | | |
|--------|----|----------------|---------|------|--------------|----------|---------|-----------|----|---------|----|-------|--|
| NUMBER | GA | TYP | NUMBER | TERM | TT | WDM REF | NUMBER | TERM | TT | EMC/SEP | FT | NOTES | EFFECTIVITY |
| 768 | 24 | PK | D08032J | 40 | | 21-58-11 | TB0158Y | C003 | BJ | R2 | 3 | | VK010-VK020, VK023-VK030, VK046-VK054, VK131-VK140, VK161-VK170, VK181-VK190, VL007-VL010, VL012-VL040, VL751-VL790, VL796-VL805, VL911-VL940, VN016-VN050, VN174-VN190, VN213-VN220, VN223-VN230, VN233-VN240, VN242-VN290, VN301-VN340, VN371-VN650, VN671-VN675, VN681-VN730, VN791-VN810, VN921-VN960, VN966-VN967, VN971-VN990, VR461-VR461, VS051-VS052, VS061-VS061, VS066-VS070, VS091-VS094, VS176-VS177, VS196-VS199, VS206-VS207, VS261-VS262 |
| 768 | 24 | PK | D08032J | 40 | | 21-58-11 | TB0158Y | C003 | BJ | R2 | 3 | | VK055-VK080, VK171-VK180, VR421-VR421, VR471-VR471 |
| 768 | 24 | PK | D08032J | 40 | | 21-58-11 | TB0158Y | C003 | BJ | R2 | 2 | | VL806-VL810, VL871-VL880, VN968-VN970, VS073-VS073, VS131-VS132, VS266-VS268 |
| 768 | 24 | PK | D08032J | 40 | | 21-58-11 | TB0158Y | C003 | BJ | R2 | 3 | | VL891-VL910 |
| 769 | 24 | PK | D02676 | 52 | | 27-51-11 | D08032J | 36 | | R2 | 3 | | VK001-VK080, VK131-VK140, VK161-VK190, VL001-VL040, VL751-VL790, VL796-VL805, VL891-VL940, VN001-VN050, VN171-VN190, VN211-VN290, VN301-VN340, VN371-VN650, VN671-VN675, VN681-VN730, VN791-VN810, VN921-VN960, VN966-VN967, VN971-VN990, VR421-VR421, VR461-VR461, VR471-VR471, VS051-VS052, VS061-VS061, VS066-VS070, VS091-VS094, VS176-VS177, VS196-VS199, VS206-VS207, VS261-VS262 |
| 769 | 24 | PK | D02676 | 52 | | 27-51-11 | D08032J | 36 | | R2 | 2 | | VL806-VL810, VL871-VL880, VN968-VN970, VS073-VS073, VS131-VS132, VS266-VS268 |
| 775 | 24 | PK | D01872 | 8 | | 21-58-11 | TB0158D | A027 | 2 | R2 | 3 | | VK001-VK003 |
| 775 | 24 | PK | D01872 | 8 | | 21-58-11 | GDX0002 | D.. | 2 | R2 | 4 | | VK004-VK080, VK131-VK140, VK161-VK190, VL001-VL040, VL751-VL790, VL796-VL805, VL891-VL940, VN001-VN050, VN171-VN190, VN211-VN290, VN301-VN340, VN371-VN650, VN671-VN675, VN681-VN730, VN791-VN810, VN921-VN960, VN966-VN967, VN971-VN990, VR421-VR421, VR461-VR461, VR471-VR471, VS051-VS052, VS061-VS061, VS066-VS070, VS091-VS094, VS176-VS177, VS196-VS199, VS206-VS207, VS261-VS262 |
| 775 | 24 | PK | D01872 | 8 | | 21-58-11 | GDX0002 | D.. | 2 | R2 | 2 | | VL806-VL810, VL871-VL880, VN968-VN970, VS073-VS073, VS131-VS132, VS266-VS268 |

286T1080-300
Wire Bundle Assembly
Figure 114 (Sheet 104)

25-71-01

| WIRE | | | FROM EQUIPMENT | | | TO EQUIPMENT | | | WIRE INFO | | | | |
|--------|----|-----|----------------|------|----|--------------|---------|------|-----------|-----------|----|-------|---|
| NUMBER | GA | TYP | NUMBER | TERM | TT | WDM REF | NUMBER | TERM | TT | EMC / SEP | FT | NOTES | EFFECTIVITY |
| 776 | 24 | PK | D05644J | 33 | | 21-26-11 | TB0158F | A020 | 2 | R2 | 3 | | VK001-VK054, VK131-VK140, VK161-VK170, VK181-VK190, VL001-VL040, VL751-VL790, VL796-VL805, VL911-VL940, VN001-VN050, VN171-VN190, VN211-VN290, VN301-VN340, VN371-VN650, VN671-VN675, VN681-VN730, VN791-VN810, VN921-VN960, VN966-VN967, VN971-VN990, VR461-VR461 VS051-VS052, VS061-VS061, VS066-VS070, VS091-VS094, VS176-VS177, VS196-VS199, VS206-VS207, VS261-VS262 |
| 776 | 24 | PK | D05644J | 33 | | 21-26-11 | TB0158F | A020 | 2 | R2 | 3 | | VK055-VK080, VK171-VK180, VR421-VR421, VR471-VR471 |
| 776 | 24 | PK | D05644J | 33 | | 21-26-11 | TB0158F | A020 | 2 | R2 | 2 | | VL806-VL810, VL871-VL880, VN968-VN970, VS073-VS073, VS131-VS132, VS266-VS268 |
| 776 | 24 | PK | D05644J | 33 | | 21-26-11 | TB0158F | A020 | 2 | R2 | 3 | | VL891-VL910 |
| 778 | 24 | PK | D0552J | 53 | | 73-21-15 | TB0248X | C012 | BJ | R2 | 2 | | VK001-VK054, VK131-VK140, VK161-VK170, VK181-VK190, VL001-VL040, VL751-VL790, VL796-VL805, VL911-VL940, VN001-VN050, VN171-VN190, VN211-VN290, VN301-VN340, VN371-VN650, VN671-VN675, VN681-VN730, VN791-VN810, VN921-VN960, VN966-VN967, VN971-VN990, VR461-VR461 VS051-VS052, VS061-VS061, VS066-VS070, VS091-VS094, VS176-VS177, VS196-VS199, VS206-VS207, VS261-VS262 |
| 778 | 24 | PK | D0552J | 53 | | 73-21-15 | TB0248X | C012 | BJ | R2 | 2 | | VK055-VK080, VK171-VK180, VR421-VR421, VR471-VR471 |
| 778 | 24 | PK | D0552J | 53 | | 73-21-15 | TB0248X | C012 | BJ | R2 | 2 | | VL806-VL810, VL871-VL880, VN968-VN970, VS073-VS073, VS131-VS132, VS266-VS268 |
| 779 | 24 | PK | D0552J | 52 | | 73-21-15 | TB0248X | D012 | BJ | R2 | 2 | | VL891-VL910 |
| 779 | 24 | PK | D0552J | 52 | | 73-21-15 | TB0248X | D012 | BJ | R2 | 2 | | VK001-VK054, VK131-VK140, VK161-VK170, VK181-VK190, VL001-VL040, VL751-VL790, VL796-VL805, VL911-VL940, VN001-VN050, VN171-VN190, VN211-VN220, VN231-VN290, VN301-VN340, VN371-VN633, VN681-VN730, VN791-VN810, VN921-VN960, VN966-VN967, VN971-VN990, VR461-VR461 VS051-VS052, VS061-VS061, VS066-VS070, VS091-VS094, VS176-VS177, VS196-VS199, VS206-VS207, VS261-VS262 |
| 779 | 24 | PK | D0552J | 52 | | 73-21-15 | TB0248X | D012 | BJ | R2 | 2 | | VK055-VK080, VK171-VK180, VR421-VR421, VR471-VR471 |

286T1080-300
Wire Bundle Assembly
Figure 114 (Sheet 105)

25-71-01



BOEING
COMPONENT
MAINTENANCE MANUAL

| WIRE | | | FROM EQUIPMENT | | | | TO EQUIPMENT | | | | WIRE INFO | | | |
|--------|----|-----|----------------|------|----|----------|--------------|------|----|-------------|-----------|-------|---|--|
| NUMBER | GA | TYP | NUMBER | TERM | TT | WDM REF | NUMBER | TERM | TT | EMC/ SEP | FT | NOTES | EFFECTIVITY | |
| 779 | 24 | PK | D05552J | 52 | | 73-21-15 | TB0248X | D012 | BJ | R2 | 2 | | VL871-VL880, VN968-VN970, VS073-VS073, VS131-VS132, VS266-VS268 | |
| 780 | 24 | PK | D05552J | 55 | | 73-21-15 | D02162 | 33 | | R2 | 3 | | VK001-VK011, VK021-VK030 | |
| 780 | 24 | PK | D05552J | 55 | | 73-21-15 | TB0158F | C015 | 2 | R2 | 2 | | VK012-VK020, VK181-VK190, VR461-VR461 | |
| 780 | 24 | PK | D05552J | 55 | | 73-21-15 | TB0158F | C015 | 2 | R2 | 3 | | VK031-VK054, VK131-VK140, VL001-VL010, VL751-VL790, VL911-VL930, VN001-VN050, VN231-VN240, VN301-VN340, VN421-VN490, VN546-VN550, VN634-VN650, VN791-VN810, VN921-VN930, VN951-VN960, VS051-VS052, VS176-VS177, VS196-VS199, VS261-VS262 | |
| 780 | 24 | PK | D05552J | 55 | | 73-21-15 | D02162 | 27 | | R2 | 3 | | VK055-VK080, VK161-VK180, VL011-VL040, VL796-VL805, VL931-VL940, VN171-VN190, VN211-VN230, VN241-VN290, VN371-VN420, VN491-VN545, VN551-VN633, VN671-VN675, VN681-VN730, VN931-VN950, VN966-VN967, VN971-VN990, VR421-VR421, VR471-VR471, VS061-VS061, VS066-VS070 VS091-VS094, VS206-VS207 | |
| 780 | 24 | PK | D05552J | 55 | | 73-21-15 | D02162 | 27 | | R2 | 2 | | VL806-VL810, VL871-VL880 | |
| 780 | 24 | PK | D05552J | 55 | | 73-21-15 | TB0158F | C015 | 2 | R2 | 3 | | VL891-VL910 | |
| 780 | 24 | PK | D05552J | 55 | | 73-21-15 | TB0158F | C015 | 2 | R2 | 2 | | VN968-VN970, VS073-VS073, VS131-VS132, VS266-VS268 | |
| 781 | 24 | PK | D02676 | 14 | | 31-31-21 | D04809J | 17 | | R2 | 3 | | VK001-VK011, VK021-VK030 | |
| 781 | 22 | PA | TB0248D | C021 | 2 | 73-21-19 | TB0248Y | C014 | BJ | R2 | 2 | | VK012-VK020, VK031-VK054, VK131-VK140, VK181-VK190, VL001-VL010, VL751-VL790, VL911-VL930, VN001-VN050, VN231-VN240, VN301-VN340, VN421-VN490, VN634-VN650, VN791-VN810, VN921-VN930, VN951-VN960, VR461-VR461, VS051-VS052, VS176-VS177, VS196-VS199, VS261-VS262 | |
| 781 | 24 | PK | TB0248D | C021 | 2 | 73-21-19 | D08032J | 45 | | R2 | 3 | | VK055-VK080, VK171-VK180, VR421-VR421, VR471-VR471 | |
| 781 | 24 | PK | TB0248D | C021 | 2 | 73-21-19 | D08032J | 45 | | R2 | 3 | | VK161-VK170, VL011-VL040, VL796-VL805, VL931-VL940, VN171-VN190, VN211-VN230, VN241-VN290, VN371-VN420, VN491-VN545, VN551-VN633, VN671-VN675, VN681-VN730, VN931-VN950, VN966-VN967, VN971-VN990, VS061-VS066-VS070, VS091-VS094, VS206-VS207 | |
| 781 | 24 | PK | TB0248D | C021 | 2 | 73-21-19 | D08032J | 45 | | R2 | 2 | | VL806-VL810, VL871-VL880 | |
| 781 | 22 | PA | TB0248D | C021 | 2 | 73-21-19 | TB0248Y | C014 | BJ | R2 | 2 | | VL891-VL910 | |
| 781 | 22 | PA | TB0248D | C021 | 2 | 73-21-19 | TB0248Y | C014 | BJ | R2 | 1 | | VN546-VN550 | |

286T1080-300
Wire Bundle Assembly
Figure 114 (Sheet 106)

25-71-01

| WIRE | | | FROM EQUIPMENT | | | | TO EQUIPMENT | | | | WIRE INFO | | | |
|--------|----|-----|----------------|------|----|----------|--------------|------|----|---------|-----------|-------|--|--|
| NUMBER | GA | TYP | NUMBER | TERM | TT | WDM REF | NUMBER | TERM | TT | EMC/SEP | FT | NOTES | EFFECTIVITY | |
| 781 | 22 | PK | TB0248D | C021 | 2 | 73-21-19 | TB0248Y | C014 | BJ | R2 | 3 | | VN968-VN970, VS073-VS073, VS131-VS132, VS266-VS268 | |
| 782 | 24 | PK | D02676 | 16 | | 31-31-21 | D04809J | 18 | | R2 | 3 | | VK001-VK011, VK021-VK030 | |
| 782 | 22 | PA | TB0248Y | C014 | BJ | 73-21-19 | D08032J | 39 | | R2 | 2 | | VK012-VK020, VK181-VK190, VR461-VR461 | |
| 782 | 22 | PA | TB0248Y | C014 | BJ | 73-21-19 | D08032J | 39 | | R2 | 3 | | VK031-VK054, VK131-VK140, VL001-VL010, VL751-VL790, VL911-VL930, VN001-VN050, VN231-VN240, VN301-VN340, VN421-VN490, VN546-VN550, VN634-VN650, VN791-VN810, VN921-VN930, VN951-VN960, VS051-VS052, VS176-VS177, VS196-VS199, VS261-VS262 | |
| 782 | 22 | PA | TB0248Y | C014 | BJ | 73-21-19 | D08032J | 39 | | R2 | 3 | | VL891-VL910 | |
| 782 | 22 | PA | TB0248Y | C014 | BJ | 73-21-19 | D08032J | 39 | | R2 | 2 | | VN968-VN970, VS073-VS073, VS131-VS132, VS266-VS268 | |

286T1080-300
 Wire Bundle Assembly
 Figure 114 (Sheet 107)

25-71-01



BOEING
COMPONENT
MAINTENANCE MANUAL

| WIRE | | FROM EQUIPMENT | | | TO EQUIPMENT | | | WIRE INFO | | | | | |
|--------|----|----------------|---------|------|--------------|----------|---------|-----------|----|---------|----|--------|---|
| NUMBER | GA | TYP | NUMBER | TERM | TT | WDM REF | NUMBER | TERM | TT | EMC/SEP | FT | NOTES | EFFECTIVITY |
| PA1 | | | D01874 | 26 | | 99-99-99 | D01874 | 34 | | R2 | | DAW-B2 | |
| PB1 | | | D01868 | 25 | | 99-99-99 | D01868 | 35 | | R2 | | DAW-B2 | |
| PC1 | | | D01870 | 22 | | 99-99-99 | D01870 | 38 | | R2 | | DAW-B2 | |
| PD1 | | | D01872 | 24 | | 99-99-99 | D01872 | 36 | | R2 | | DAW-B2 | |
| PE1 | | | D02176 | 26 | | 21-58-15 | D02176 | 34 | | R2 | | DAW-B2 | |
| PF1 | | | D01876 | 41 | | 36-11-52 | D01876 | 63 | | R2 | | DAW-B2 | VF011-VF011, VK081-VK089, VN051-VN054, VN081-VN088 |
| PF1 | | | D01876 | 9 | | 36-11-52 | D01876 | 51 | | R2 | | DAW-B2 | VN089-VN110, VS186-VS187 |
| PH1 | | | D02676 | 47 | | 27-58-21 | D02676 | 66 | | R2 | | DAW-B2 | VF011-VF011, VK081-VK089, VN051-VN054, VN081-VN085 |
| PH1 | | | D02676 | 47 | | 27-58-21 | D02676 | 64 | | R2 | | DAW-B2 | VN086-VN110, VS186-VS187 |
| 1 | 24 | PK | TB0158Y | C008 | BJ | 21-51-21 | D05552J | 18 | | R2 | 3 | | VF011-VF011, VK081-VK089, VN051-VN054, VN081-VN085 |
| 1 | 24 | PK | D01868 | 19 | | 21-51-21 | D05552J | 18 | | R2 | 3 | | VN086-VN110, VS186-VS187 |
| 2 | 22 | PA | D01868 | 21 | | 21-51-21 | GD0002 | D.. | 2 | R2 | 4 | | VF011-VF011, VK081-VK089, VN051-VN054, VN081-VN085 |
| 3 | 24 | PK | D01868 | 13 | | 21-51-21 | TB0248Y | C004 | BJ | R2 | 4 | | VF011-VF011, VK081-VK089, VN051-VN054, VN081-VN085 |
| 4 | 24 | PK | D01868 | 14 | | 21-51-21 | D05552J | 6 | | R2 | 4 | | |
| 5 | 24 | PK | D01868 | 8 | | 21-51-21 | D05552J | 7 | | R2 | 4 | | |
| 6 | 24 | PK | D01868 | 7 | | 21-51-21 | D05552J | 8 | | R2 | 4 | | |
| 7 | 24 | PK | D01868 | 36 | | 21-51-21 | TB0158Y | C004 | BJ | R2 | 4 | | VF011-VF011, VN086-VN110, VS186-VS187 |
| 7 | 24 | PK | D01868 | 36 | | 21-51-21 | TB0158G | 4 | 2 | R2 | 4 | | VK081-VK089, VN051-VN054, VN081-VN085 |
| 8 | 24 | PK | D01868 | 15 | | 21-51-11 | TB0158Y | A004 | BJ | R2 | 4 | | VF011-VF011, VN086-VN110, VS186-VS187 |
| 8 | 24 | PK | D01868 | 15 | | 21-51-11 | TB0158G | 3 | 2 | R2 | 4 | | VK081-VK089, VN051-VN054, VN081-VN085 |
| 9 | 24 | PK | D01868 | 17 | | 21-51-21 | D08032J | 38 | | R2 | 4 | | VN087-VN110, VS186-VS187 |
| 01A | 24 | PK | TB0158F | A017 | 2 | 21-26-11 | D05644J | 27 | | R2 | 4 | | VF011-VF011, VK085-VK089, VN051-VN054, VN081-VN110, VS186-VS187 |
| 10 | 24 | PK | TB0248X | B001 | BJ | 31-51-41 | D04809J | 12 | | R2 | 3 | | VN110, VS186-VS187 |
| 10 | 24 | PK | TB0248Y | C003 | BJ | 31-51-41 | D04809J | 12 | | R2 | 3 | | VK081-VK084 |
| 11 | 22 | PA | D01876 | 39 | | 36-11-52 | D05766J | 13 | | R2 | 3 | | |

286T1080-301
Wire Bundle Assembly
Figure 115 (Sheet 1)

25-71-01

| WIRE | | | FROM EQUIPMENT | | | | TO EQUIPMENT | | | | WIRE INFO | | | |
|--------|----|-----|----------------|------|----|----------|--------------|------|----|---------|-----------|-------|--|--|
| NUMBER | GA | TYP | NUMBER | TERM | TT | WDM REF | NUMBER | TERM | TT | EMC/SEP | FT | NOTES | EFFECTIVITY | |
| 12 | 24 | PK | D01868 | 19 | | 21-51-21 | TB0158Y | C008 | BJ | R2 | 4 | | VF011-VF011, VK081-VK089, VN051-VN054, VN081-VN085 | |
| 13 | 24 | PK | D05552J | 25 | | 21-51-21 | TB0158Y | A008 | BJ | R2 | 2 | | VK081-VK089, VN051-VN054, VN081-VN110, VS186-VS187 | |
| 14 | 24 | PK | D01868 | 4 | | 21-51-21 | TB0158Y | A008 | BJ | R2 | 4 | | | |
| 15 | 24 | PK | D01868 | 5 | | 21-51-21 | TB0158Y | C007 | BJ | R2 | 4 | | | |
| 16 | 24 | PK | D01868 | 22 | | 21-51-21 | D05552J | 21 | | R2 | 4 | | | |
| 17 | 24 | PK | D01868 | 1 | | 21-51-21 | D05552J | 22 | | R2 | 4 | | | |
| 18 | 24 | PK | D01868 | 27 | | 21-51-21 | TB0182D | A021 | 2 | R2 | 4 | | VF011-VF011, VK081-VK089, VN051-VN054, VN081-VN093 | |
| 18 | 24 | PK | D01868 | 27 | | 21-51-21 | D02676 | 24 | | R2 | 3 | | | |
| 19 | 24 | PK | D01868 | 6 | | 21-51-21 | D02676 | 27 | | R2 | 3 | | | |
| 20 | 22 | PA | D01868 | 28 | | 21-51-21 | TB0182Y | C001 | BJ | R2 | 4 | | | |
| 21 | 24 | PK | D01868 | 31 | | 21-25-21 | D05552J | 27 | | R2 | 4 | | | |
| 22 | 24 | PK | D01868 | 9 | | 21-53-21 | D08032J | 46 | | R2 | 4 | | | |
| 23 | 24 | PK | D01868 | 26 | | 21-53-22 | TB0158F | C012 | 2 | R2 | 4 | | | |
| 24 | 24 | PK | D05552J | 31 | | 21-51-21 | TB0158Y | C007 | BJ | R2 | 2 | | VK081-VK089, VN051-VN054, VN081-VN110, VS186-VS187 | |
| 25 | 24 | PK | D01868 | 2 | | 21-51-21 | D05552J | 4 | | R2 | 4 | | | |
| 26 | 24 | PK | D01868 | 32 | | 73-21-15 | D05552J | 54 | | R2 | 3 | | | |
| 27 | 24 | PK | TB0158F | A015 | 2 | 73-21-15 | D01868 | 18 | | R2 | 3 | | | |
| 28 | 22 | PA | D01868 | 10 | | 21-51-21 | TB0158G | 16 | 2 | R2 | 4 | | | |
| 29 | 24 | PK | D01874 | 29 | | 21-26-11 | TB0158F | A017 | 2 | R2 | 4 | | VF011-VF011, VK081-VK089, VN051-VN054, VN081-VN086 | |
| 29 | 24 | PK | D01874 | 29 | | 21-26-11 | D05644J | 26 | | R2 | 4 | | VN087-VN110, VS186-VS187 | |
| 30 | 24 | PK | D01868 | 12 | | 21-51-21 | TB0158Y | C001 | BJ | R2 | 4 | | VF011-VF011, VN086-VN110, VS186-VS187 | |
| 30 | 24 | PK | D01868 | 12 | | 21-51-21 | TB0158G | 14 | 2 | R2 | 4 | | VK081-VK089, VN051-VN054, VN081-VN085 | |
| 32 | 22 | PA | TB0182Y | C001 | BJ | 21-51-21 | D05552J | 24 | | R2 | 3 | | | |
| 33 | 24 | PK | D01876 | 64 | | 36-11-41 | TB0248Y | A003 | BJ | R2 | 3 | | | |
| 34 | 22 | PA | TB0158G | 16 | 2 | 21-51-21 | D05552J | 23 | | R2 | 3 | | | |
| 35 | 24 | PK | D01874 | 1 | | 21-25-21 | D05552J | 29 | | R2 | 4 | | | |

286T1080-301
Wire Bundle Assembly
Figure 115 (Sheet 2)

25-71-01



BOEING
COMPONENT
MAINTENANCE MANUAL

| WIRE | | | FROM EQUIPMENT | | | TO EQUIPMENT | | | WIRE INFO | | | | |
|--------|----|-----|----------------|------|----|--------------|---------|------|-----------|---------|----|-------|-------------|
| NUMBER | GA | TYP | NUMBER | TERM | TT | WDM REF | NUMBER | TERM | TT | ENC/SEP | FT | NOTES | EFFECTIVITY |
| 36 | 22 | PA | D01874 | 3 | | 21-25-21 | GDX0002 | D.. | 2 | R2 | 4 | | |
| 37 | 24 | PK | D01874 | 24 | | 21-25-21 | D05552J | 26 | | R2 | 4 | | |
| 38 | 22 | PA | D01874 | 4 | | 21-25-21 | GDX0004 | D.. | 2 | R2 | 4 | | |
| 39 | 24 | PK | D01874 | 22 | | 21-25-21 | D05552J | 28 | | R2 | 4 | | |
| 40 | 24 | PK | D01874 | 23 | | 21-25-21 | D05552J | 30 | | R2 | 4 | | |
| 41 | 24 | PK | D02176 | 13 | | 21-58-15 | D05644J | 8 | | R2 | 3 | | |
| 42 | 22 | PA | D02176 | 15 | | 21-58-15 | GDX0004 | D.. | 2 | R2 | 4 | | |
| 43 | 22 | PA | D02176 | 12 | | 21-58-15 | TB0182X | C016 | BJ | R2 | 4 | | |
| 44 | 24 | PK | D02176 | 33 | | 21-58-15 | D05644J | 4 | | R2 | 3 | | |
| 45 | 24 | PK | D02176 | 11 | | 21-58-15 | D05644J | 7 | | R2 | 3 | | |
| 46 | 24 | PK | D02176 | 32 | | 21-58-15 | D05644J | 1 | | R2 | 3 | | |
| 47 | 22 | PA | D05644J | 14 | | 36-11-52 | TB0248X | B012 | BJ | R2 | 3 | | |
| 48 | 24 | PK | D02176 | 37 | | 21-58-15 | TB0248X | A012 | BJ | R2 | 3 | | |
| 50 | 24 | PK | D01874 | 7 | | 21-26-11 | D05644J | 21 | | R2 | 3 | | |
| 51 | 22 | PA | D01874 | 9 | | 21-26-11 | GDX0002 | D.. | 2 | R2 | 4 | | |
| 52 | 24 | PK | D01874 | 28 | | 21-26-11 | D05644J | 22 | | R2 | 3 | | |
| 53 | 24 | PK | D01874 | 8 | | 21-26-11 | D05644J | 18 | | R2 | 3 | | |
| 54 | 24 | PK | D01874 | 6 | | 21-26-11 | D05644J | 20 | | R2 | 3 | | |
| 55 | 24 | PK | D01874 | 27 | | 21-26-11 | D05644J | 17 | | R2 | 3 | | |
| 56 | 24 | PK | D01874 | 36 | | 21-26-11 | D05644J | 32 | | R2 | 3 | | |
| 63 | 24 | PK | D02176 | 14 | | 21-58-15 | TB0158F | C020 | 2 | R2 | 4 | | |
| 66 | 24 | PK | D01874 | 35 | | 21-26-11 | TB0248X | C011 | BJ | R2 | 4 | | |
| 67 | 24 | PK | TB0158F | C017 | 2 | 21-58-15 | D02176 | 38 | | R2 | 4 | | |
| 68 | 24 | PK | D01870 | 19 | | 21-53-12 | D05552J | 45 | | R2 | 4 | | |
| 69 | 22 | PA | D01870 | 21 | | 21-53-12 | GDX0002 | D.. | 2 | R2 | 5 | | |
| 70 | 24 | PK | D01870 | 6 | | 21-53-12 | D05552J | 40 | | R2 | 4 | | |
| 71 | 24 | PK | D01870 | 3 | | 21-53-12 | TB0182X | B012 | BJ | R2 | 4 | | |
| 72 | 24 | PK | D01870 | 37 | | 21-53-12 | D05552J | 42 | | R2 | 4 | | |
| 73 | 24 | PK | D01870 | 36 | | 21-53-12 | D05552J | 43 | | R2 | 4 | | |
| 74 | 24 | PK | D01870 | 35 | | 21-53-12 | D05552J | 44 | | R2 | 4 | | |
| 75 | 24 | PK | D01870 | 8 | | 21-53-12 | TB0158F | A012 | 2 | R2 | 4 | | |

286T1080-301
Wire Bundle Assembly
Figure 115 (Sheet 3)

25-71-01

TESTING & FAULT ISOLATION
01

Page 144I
Nov 01/02

| WIRE | | | FROM EQUIPMENT | | | TO EQUIPMENT | | | WIRE INFO | | | | |
|--------|----|-----|----------------|------|----|--------------|---------|------|-----------|-----------|----|-------|-------------------------------------|
| NUMBER | GA | TYP | NUMBER | TERM | TT | WDM REF | NUMBER | TERM | TT | EMC / SEP | FT | NOTES | EFFECTIVITY |
| 76 | 24 | PK | D01870 | 4 | | 21-53-12 | D05552J | 50 | | R2 | 4 | | |
| 77 | 24 | PK | D01870 | 10 | | 21-53-12 | D05552J | 51 | | R2 | 4 | | |
| 78 | 24 | PK | D01870 | 7 | | 21-53-12 | D05552J | 48 | | R2 | 4 | | |
| 79 | 24 | PK | D01870 | 11 | | 21-53-12 | D05552J | 49 | | R2 | 4 | | |
| 80 | 24 | PK | D01870 | 12 | | 21-53-12 | D05552J | 46 | | R2 | 4 | | |
| 81 | 24 | PK | D01870 | 9 | | 21-53-12 | D05552J | 47 | | R2 | 4 | | |
| 82 | 24 | PK | D01870 | 16 | | 21-53-12 | D05552J | 34 | | R2 | 4 | | |
| 83 | 24 | PK | D01870 | 14 | | 21-53-12 | D05552J | 35 | | R2 | 4 | | |
| 84 | 24 | PK | D01870 | 15 | | 21-53-12 | D05552J | 36 | | R2 | 4 | | |
| 85 | 24 | PK | D01870 | 13 | | 21-53-12 | D05552J | 37 | | R2 | 4 | | |
| 86 | 24 | PK | D01870 | 18 | | 21-53-12 | D05552J | 38 | | R2 | 4 | | |
| 87 | 24 | PK | D01870 | 17 | | 21-53-12 | D05552J | 39 | | R2 | 4 | | |
| 88 | 24 | PK | D01870 | 5 | | 21-53-12 | D05552J | 33 | | S2 | 4 | | |
| 89 | 24 | PV | D01872 | 19 | | 21-58-11 | TB0158F | C011 | 2 | S2 | 3 | | |
| 089Z | | | D01872 | DED | | 21-58-11 | TB0158F | DED | | R2 | | | |
| 90 | 22 | PA | D01872 | 41 | | 21-58-11 | GDX0002 | D.. | 2 | R2 | 4 | | |
| 91 | 24 | PK | D01872 | 3 | | 21-58-11 | TB0182Y | C002 | BJ | R2 | 3 | | |
| 92 | 24 | PK | D01872 | 4 | | 21-58-11 | TB0158Y | C003 | BJ | R2 | 3 | | VF011-VF011,VN086-VN110,VS186-VS187 |
| 92 | 24 | PK | D01872 | 4 | | 21-58-11 | TB0158G | 2 | 2 | R2 | 3 | | VK081-VK089,VN051-VN054,VN081-VN085 |
| 93 | 24 | PK | D01872 | 5 | | 21-58-11 | TB0182Y | A001 | BJ | R2 | 3 | | |
| 94 | 24 | PK | D01872 | 6 | | 21-58-11 | TB0248X | A001 | BJ | R2 | 3 | | |
| 96 | 24 | PK | D01872 | 7 | | 21-58-12 | TB0182X | B028 | BJ | R2 | 4 | | |
| 98 | 24 | PK | D01872 | 10 | | 21-58-12 | TB0182X | A028 | BJ | R2 | 4 | | |
| 99 | 24 | PK | D01872 | 9 | | 21-58-12 | TB0182X | C028 | BJ | R2 | 4 | | |
| 101 | 22 | PA | D01872 | 15 | | 21-58-11 | TB0182X | B011 | BJ | R2 | 3 | | VF011-VF011,VN085-VN110,VS186-VS187 |
| 101 | 22 | PA | D01872 | 15 | | 21-58-11 | TB0182Y | A002 | BJ | R2 | 3 | | VK081-VK089,VN051-VN054,VN081-VN084 |
| 102 | 24 | PK | D01872 | 12 | | 33-16-11 | D05552J | 61 | | R2 | 3 | | |
| 103 | 24 | PK | D05644J | 41 | | 21-58-11 | D01872 | 20 | | R2 | 3 | | |
| 104R | 22 | PH | D05766J | 19 | | 26-18-22 | D01876 | 36 | | R2 | 3 | | |
| 105 | 22 | PH | D01872 | 21 | | 21-58-11 | GDX0002 | D.. | 2 | R2 | 4 | | |
| 106R | 22 | PH | D05766J | 20 | | 26-18-22 | D01876 | 57 | | R2 | 3 | | |

286T1080-301
Wire Bundle Assembly
Figure 115 (Sheet 4)

25-71-01



BOEING
COMPONENT
MAINTENANCE MANUAL

| WIRE | | | FROM EQUIPMENT | | | | TO EQUIPMENT | | | | WIRE INFO | | | |
|--------|----|-----|----------------|------|----|----------|--------------|------|----|---------|-----------|-------|---|--|
| NUMBER | GA | TYP | NUMBER | TERM | TT | WDM REF | NUMBER | TERM | TT | EMC/SEP | FT | NOTES | EFFECTIVITY | |
| 107 | 24 | PK | D01872 | 14 | | 21-58-11 | D05644J | 28 | | R2 | 3 | | VF011-VF011, VK081-VK089, VN051-VN054 VN081-VN110, VS186-VS187 | |
| 108R | 22 | PH | SP03260 | | S | 26-18-22 | D01876 | 6 | | R2 | 3 | | | |
| 108R | 22 | PH | D05766J | 5 | | 26-18-22 | D01876 | 6 | | R2 | 3 | | | |
| 109 | 22 | PA | D01872 | 17 | | 21-58-11 | TB0158F | A011 | 2 | R2 | 3 | | | |
| 111 | 22 | PA | TB0182Y | A002 | BJ | 21-58-11 | D05644J | 24 | | R2 | 3 | | | |
| 114 | 22 | PA | D01876 | 60 | | 36-11-52 | SM00002 | | W | R2 | 3 | | | |
| 116 | 22 | PA | D01876 | 40 | | 36-11-52 | D05766J | 14 | | R2 | 3 | | | |
| 119 | 24 | PK | D01876 | 55 | | 36-11-52 | SM00001 | | W | R2 | 3 | | | |
| 120 | 24 | PK | D01876 | 5 | | 36-11-52 | TB0248X | A011 | BJ | R2 | 4 | | | |
| 121 | 24 | PK | D01876 | 20 | | 36-11-52 | D05644J | 35 | | R2 | 3 | | | |
| 122 | 22 | PA | D01876 | 35 | | 36-11-52 | D05644J | 36 | | R2 | 3 | | | |
| 123 | 24 | PK | D01876 | 53 | | 36-11-52 | TB0158Y | A007 | BJ | R2 | 4 | | | |
| 124 | 24 | PK | D05552J | 3 | | 21-25-21 | D01874 | 25 | | R2 | 4 | | | |
| 126 | 24 | PK | D01876 | 52 | | 36-11-52 | D05644J | 37 | | R2 | 3 | | | |
| 128 | 24 | PK | D01876 | 37 | | 36-11-62 | TB0248X | B011 | BJ | R2 | 4 | | | |
| 129 | 22 | PA | D01876 | 2 | | 36-22-11 | D05644J | 38 | | R2 | 3 | | | |
| 130 | 24 | PK | D01876 | 1 | | 36-11-62 | D05766J | 7 | | R2 | 3 | | | |
| 131 | 22 | PA | D01876 | 56 | | 36-11-62 | D05766J | 10 | | R2 | 3 | | | |
| 132 | 22 | PA | D05644J | 29 | | 36-22-11 | TB0248Y | C009 | BJ | R2 | 3 | | | |
| 135 | 22 | PA | D01876 | 31 | | 36-11-62 | D05766J | 8 | | R2 | 3 | | | |
| 136 | 24 | PK | D01876 | 58 | | 36-11-62 | D05766J | 9 | | R2 | 3 | | | |
| 137 | 24 | PK | D01876 | 28 | | 36-11-62 | D05766J | 11 | | R2 | 3 | | | |
| 139 | 24 | PK | TB0158Y | A007 | BJ | 36-11-52 | D05766J | 1 | | R2 | 3 | | | |
| 140 | 24 | PK | TB0158Y | A007 | BJ | 36-11-52 | D05766J | 4 | | R2 | 3 | | | |
| 141 | 22 | PA | SM00007 | | W | 36-11-62 | D05766J | 6 | | R2 | 2 | | | |
| 143 | 24 | PK | TB0158Y | C004 | BJ | 21-51-21 | D05552J | 9 | | R2 | 3 | | | |
| 143 | 24 | PK | TB0158G | 4 | 2 | 21-51-21 | D05552J | 9 | | R2 | 3 | | | |
| 144 | 24 | PK | D05766J | 21 | | 36-11-62 | D01876 | 47 | | R2 | 3 | | | |
| 145 | 24 | PK | D05766J | 22 | | 36-11-62 | D01876 | 18 | | R2 | 3 | | | |
| 147 | 24 | PK | D02676 | 22 | | 22-12-21 | D04887J | 6 | | R2 | 3 | | | |
| 148 | 24 | PK | D02676 | 23 | | 22-12-21 | D04887J | 7 | | R2 | 3 | | | |

286T1080-301
Wire Bundle Assembly
Figure 115 (Sheet 5)

25-71-01

| WIRE | | | FROM EQUIPMENT | | | TO EQUIPMENT | | | WIRE INFO | | | | |
|--------|----|-----|----------------|------|----|--------------|---------|------|-----------|---------|----|-------|--|
| NUMBER | GA | TYP | NUMBER | TERM | TT | WDM REF | NUMBER | TERM | TT | EMC/SEP | FT | NOTES | EFFECTIVITY |
| 150 | 22 | PA | D02676 | 8 | | 27-58-21 | GDX0002 | A.. | 2 | R2 | 4 | | |
| 152 | 24 | PK | D02676 | 7 | | 27-58-21 | D08032J | 2 | | R2 | 3 | | |
| 154 | 22 | PA | D05766J | 23 | | 36-11-62 | D01876 | 27 | | R2 | 3 | | |
| 155 | 24 | PK | D02676 | 38 | | 22-12-21 | D04887J | 8 | | R2 | 3 | | |
| 156 | 24 | PK | D02676 | 39 | | 22-12-21 | D04887J | 9 | | R2 | 3 | | |
| 160 | 22 | PA | TB0248D | A021 | 2 | 73-21-19 | D08032J | 34 | | R2 | 3 | | |
| 161 | 22 | PA | TB0248Y | C014 | BJ | 73-21-19 | D08032J | 33 | | R2 | 3 | | |
| 163 | 22 | PA | TB0182X | B016 | BJ | 73-21-19 | D08032J | 32 | | R2 | 3 | | |
| 166 | 24 | PV | TB0182X | B015 | BJ | 73-21-16 | D08032J | 11 | | R2 | 3 | | VF011-VF011, VK081-VK089, VN051-VN054, VN081-VN092 |
| 166 | 24 | PK | TB0182X | B015 | BJ | 73-21-16 | D08032J | 11 | | R2 | 3 | | VN093-VN110, VS186-VS187 |
| 166Z | | | TB0182X | C015 | BJ | 73-21-16 | D08032J | 5 | | R2 | | | VF011-VF011, VK081-VK089, VN051-VN054, VN081-VN092 |
| 167 | 24 | PK | D04887J | 15 | | 22-32-13 | TB0182X | D016 | BJ | R2 | 3 | | |
| 174 | 24 | PK | D04887J | 14 | | 22-32-13 | TB0182X | D017 | BJ | R2 | 3 | | |
| 176 | 24 | PK | D04887J | 18 | | 22-32-13 | TB0182X | C017 | BJ | R2 | 3 | | |
| 177 | 22 | PA | TB0182X | A011 | BJ | 73-21-19 | D08032J | 19 | | R2 | 3 | | VF011-VF011, VK081-VK089, VN051-VN054, VN081-VN092 |
| 177 | 22 | PA | TB0182Y | C006 | BJ | 73-21-19 | D08032J | 19 | | R2 | 3 | | VN093-VN110, VS186-VS187 |
| 178 | 24 | PK | TB0182X | D015 | BJ | 73-21-16 | D08032J | 35 | | R2 | 3 | | |
| 179 | 24 | PV | TB0248Y | A007 | BJ | 73-21-15 | D08032J | 9 | | R2 | 3 | | VF011-VF011, VK081-VK089, VN051-VN054, VN081-VN092 |
| 179 | 24 | PK | TB0182G | 24 | 2 | 73-21-15 | D08032J | 9 | | R2 | 3 | | VN093-VN110, VS186-VS187 |
| 179Z | | | TB0248Y | A008 | BJ | 73-21-15 | D08032J | 12 | | R2 | | | VF011-VF011, VK081-VK089, VN051-VN054, VN081-VN092 |
| 181 | 24 | PK | D08032J | 6 | | 73-21-18 | TB0182X | B008 | BJ | R2 | 3 | | |
| 183 | 24 | PK | TB0182Y | C005 | BJ | 73-21-15 | D08032J | 17 | | R2 | 3 | | |
| 184 | 24 | PK | TB0158F | C026 | 2 | 22-32-13 | D04887J | 11 | | R2 | 3 | | |
| 185 | 24 | PK | TB0158F | A026 | 2 | 22-32-13 | D04887J | 12 | | R2 | 3 | | |
| 192 | 22 | PA | D05766J | 24 | | 36-11-62 | D01876 | 61 | | R2 | 3 | | |
| 195 | 24 | PK | D04887J | 17 | | 22-32-13 | TB0182X | B017 | BJ | R2 | 3 | | |

286T1080-301
Wire Bundle Assembly
Figure 115 (Sheet 6)

25-71-01



BOEING
COMPONENT
MAINTENANCE MANUAL

| WIRE | | | FROM EQUIPMENT | | | TO EQUIPMENT | | | WIRE INFO | | | | |
|--------|----|-----|----------------|------|----|--------------|---------|------|-----------|-----------|----|-------|--|
| NUMBER | GA | TYP | NUMBER | TERM | TT | WDM REF | NUMBER | TERM | TT | EMC / SEP | FT | NOTES | EFFECTIVITY |
| 197 | 24 | PK | D04887J | 16 | BJ | 22-32-13 | TB0182X | A017 | BJ | R2 | 3 | | |
| 199 | 24 | PV | TB0182X | C014 | BJ | 73-21-15 | D08032J | 8 | | R2 | 3 | | VF011-VF011, VK081-VK089, VN051-VN054, VN081-VN092 |
| 199 | 24 | PK | TB0182Y | A014 | BJ | 73-21-15 | D08032J | 8 | | R2 | 3 | | VN093-VN110, VS186-VS187 |
| 199Z | | | TB0182X | C013 | BJ | 73-21-15 | D08032J | 10 | | R2 | 3 | | VF011-VF011, VK081-VK089, VN051-VN054, VN081-VN092 |
| 200 | 24 | PK | TB0248X | A006 | BJ | 36-11-62 | D01876 | 65 | | R2 | 3 | | |
| 201B | 24 | PL | D02676 | 17 | | 27-51-11 | D08032J | 25 | | R2 | 3 | | |
| 201R | 24 | PL | D02676 | 18 | | 27-51-11 | D08032J | 26 | | R2 | 3 | | |
| 202B | 24 | PL | D02676 | 9 | | 27-58-21 | D08032J | 20 | | R2 | 3 | | |
| 202R | 24 | PL | D02676 | 10 | | 27-58-21 | D08032J | 21 | | R2 | 3 | | |
| 203B | 22 | PB | D02676 | 41 | | 27-41-21 | D04887J | 5 | | R2 | 3 | | |
| 203R | 22 | PB | D02676 | 40 | | 27-41-21 | D04887J | 4 | | R2 | 3 | | |
| 206B | 24 | PL | D02676 | 35 | | 27-58-21 | D04887J | 30 | | R2 | 3 | | |
| 206R | 24 | PL | D02676 | 31 | | 27-58-21 | D04887J | 31 | | R2 | 3 | | |
| 207B | 24 | PL | D02676 | 21 | | 27-32-21 | D04887J | 29 | | R2 | 3 | | |
| 207R | 24 | PL | D02676 | 19 | | 27-32-21 | D04887J | 28 | | R2 | 3 | | |
| 211B | 24 | PW | D08032J | 50 | | 77-12-12 | TB0182X | D007 | BJ | R2 | 3 | | |
| 211R | 24 | PW | D08032J | 47 | | 77-12-12 | TB0182X | C007 | BJ | R2 | 3 | | |
| 211Z | | | D08032J | 56 | | 77-12-12 | TB0182X | C008 | BJ | R2 | 3 | | |
| 212B | 24 | PW | D05552J | 11 | | 77-12-12 | TB0248X | C005 | BJ | R2 | 3 | | |
| 212R | 24 | PW | D05552J | 10 | | 77-12-12 | TB0248X | B005 | BJ | R2 | 3 | | |
| 212Z | | | D05552J | 12 | | 77-12-12 | TB0248X | A005 | BJ | R2 | 3 | | |
| 217 | 24 | PK | D05766J | 31 | | 36-11-62 | D01876 | 17 | | R2 | 3 | | |
| 221 | 22 | PA | D05644J | 30 | | 21-23-11 | TB0158G | 16 | 2 | R2 | 4 | | VN094-VN110, VS186-VS187 |
| 248 | 22 | PA | D01876 | 66 | | 36-11-62 | SM00007 | | W | R2 | 3 | | |
| 249 | 22 | PA | D01876 | 34 | | 36-11-62 | SM00007 | | W | R2 | 3 | | |
| 301B | 24 | PM | D02676 | 12 | | 27-58-21 | D08032J | 22 | | R2 | 3 | | |
| 301R | 24 | PM | D02676 | 13 | | 27-58-21 | D08032J | 23 | | R2 | 3 | | |
| 301Y | 24 | PM | D02676 | 11 | | 27-58-21 | D08032J | 24 | | R2 | 3 | | |
| 304B | 24 | PM | D02676 | 32 | | 27-58-21 | D04887J | 32 | | R2 | 3 | | |

286T1080-301
Wire Bundle Assembly
Figure 115 (Sheet 7)

25-71-01

| WIRE | | | FROM EQUIPMENT | | | | TO EQUIPMENT | | | | WIRE INFO | | | |
|--------|----|-----|----------------|------|----|----------|--------------|------|----|---------|-----------|-------|---------------------------------------|--|
| NUMBER | GA | TYP | NUMBER | TERM | TT | WDM REF | NUMBER | TERM | TT | EMC/SEP | FT | NOTES | EFFECTIVITY | |
| 304R | 24 | PM | D02676 | 33 | | 27-58-21 | D04887J | 33 | | R2 | | | | |
| 304Y | 24 | PM | D02676 | 34 | | 27-58-21 | D04887J | 34 | | R2 | | | | |
| 500 | 24 | PK | D05644J | 40 | | 21-58-11 | D01872 | 1 | | R2 | 3 | | | |
| 507 | 24 | PK | TB0158Y | A003 | BJ | 34-61-23 | D04809J | 1 | | R2 | 3 | | VF011-VF011, VN086-VN110, VS186-VS187 | |
| 507 | 24 | PK | TB0158G | 1 | 2 | 34-61-23 | D04809J | 1 | | R2 | 3 | | VK081-VK089, VN051-VN054, VN081-VN085 | |
| 508 | 24 | PK | TB0158G | 18 | 2 | 34-61-23 | D04809J | 2 | | R2 | 3 | | | |
| 509 | 24 | PK | TB0158G | 21 | 2 | 34-61-23 | D04809J | 3 | | R2 | 3 | | | |
| 510 | 24 | PK | TB0158G | 22 | 2 | 34-61-23 | D04809J | 4 | | R2 | 3 | | | |
| 511 | 24 | PK | TB0158G | 23 | 2 | 34-61-23 | D04809J | 5 | | L2 | 3 | | | |
| 512 | 24 | PV | TB0182Y | A005 | BJ | 34-61-23 | D04809J | 6 | | R2 | 3 | | | |
| 512Z | 24 | PV | D04809J | DED | | 34-61-23 | TB0182Y | DED | | L2 | | | | |
| 513 | 24 | PV | TB0182Y | A004 | BJ | 34-61-23 | D04809J | 7 | | R2 | 3 | | | |
| 513Z | 24 | PV | D04809J | DED | | 34-61-23 | TB0182Y | DED | | L2 | | | | |
| 514 | 24 | PV | TB0182Y | A009 | BJ | 34-61-23 | D04809J | 8 | | R2 | 3 | | | |
| 514Z | 24 | PV | D04809J | DED | | 34-61-23 | TB0182Y | DED | | L2 | | | | |
| 515 | 24 | PV | TB0182Y | C009 | BJ | 34-61-23 | D04809J | 9 | | R2 | 3 | | | |
| 515Z | 24 | PV | D04809J | DED | | 34-61-23 | TB0182Y | DED | | L2 | | | | |
| 516 | 24 | PV | TB0182Y | A010 | BJ | 34-61-23 | D04809J | 10 | | R2 | 3 | | | |
| 516Z | 24 | PV | D04809J | DED | | 34-61-23 | TB0182Y | DED | | R2 | | | | |
| 518 | 22 | PA | D02676 | 43 | | 27-58-21 | GD0002 | D.. | 2 | R2 | 4 | | | |
| 521 | 22 | PA | D02676 | 29 | | 27-61-11 | TB0158D | C013 | 2 | R2 | 4 | | | |
| 521 | 22 | PA | D02676 | 29 | | 27-61-11 | D04887J | 27 | | R2 | 6 | | VF011-VF011, VN086-VN088 | |
| 521 | 22 | PA | D02676 | 29 | | 27-61-11 | D04887J | 27 | | R2 | 6 | | VK081-VK089 | |
| 521 | 22 | PA | D02676 | 29 | | 27-61-11 | TB0182D | C022 | 2 | R2 | 3 | | MLA-T2 | |
| 521 | 22 | PA | D02676 | 29 | | 27-61-11 | TB0182D | C022 | 2 | R2 | 3 | | VN051-VN054 | |
| 521 | 22 | PA | D02676 | 29 | | 27-61-11 | TB0182D | C027 | 2 | R2 | 3 | | MOT-F2 | |
| 521 | 22 | PA | D02676 | 29 | | 27-61-11 | D04887J | 27 | | R2 | 3 | | ZSZ-B6 | |
| 521 | 22 | PA | D02676 | 29 | | 27-61-11 | TB0158D | C013 | 2 | R2 | 3 | | VN081-VN081, VN084-VN085 | |
| 521 | 22 | PA | D02676 | 29 | | 27-61-11 | D04887J | 27 | | R2 | 3 | | VN082-VN083 | |
| 521 | 22 | PA | D02676 | 29 | | 27-61-11 | D04887J | 27 | | R2 | 4 | | VN089-VN093 | |
| 523 | 22 | PA | D02676 | 26 | | 22-24-21 | D04887J | 1 | | R2 | 4 | | VN094-VN110, VS186-VS187 | |

286T1080-301
Wire Bundle Assembly
Figure 115 (Sheet 8)

25-71-01



BOEING
COMPONENT
MAINTENANCE MANUAL

| WIRE | | | FROM EQUIPMENT | | | | TO EQUIPMENT | | | | WIRE INFO | | | |
|--------|----|-----|----------------|------|----|----------|--------------|------|----|---------|-----------|----------------------------|--|--|
| NUMBER | GA | TYP | NUMBER | TERM | TT | WDM REF | NUMBER | TERM | TT | EMC/SEP | FT | NOTES | EFFECTIVITY | |
| 524 | 24 | PK | TB0158F | A025 | 2 | 21-51-11 | D01876 | 4 | | R2 | 4 | | | |
| 525 | 24 | PK | D01868 | 3 | | 21-51-21 | TB0158G | 9 | 2 | R2 | 4 | | | |
| 526 | 24 | PK | D01868 | 16 | | 21-51-21 | TB0158F | C025 | 2 | R2 | 4 | | | |
| 527 | 24 | PK | D01868 | 37 | | 21-51-21 | D01876 | 38 | | R2 | 3 | | | |
| 528 | 24 | PK | D01868 | 38 | | 21-51-21 | D08032J | 4 | | R2 | 4 | | | |
| 533 | 24 | PK | TB0182X | D012 | BJ | 73-21-17 | D08032J | 31 | | R2 | 3 | | | |
| 534 | 24 | PK | TB0182X | A015 | BJ | 73-21-16 | D08032J | 30 | | R2 | 3 | | | |
| 535Z | 24 | PV | D08032J | 42 | | 73-21-11 | TB0182Y | A003 | BJ | R2 | 3 | | VF011-VF011, VK081-VK089, VN051-VN054 | |
| 538 | 24 | PK | D01868 | 30 | | 73-21-11 | TB0182Y | C003 | BJ | R2 | 3 | | VF011-VF011, VK081-VK089, VN051-VN054 | |
| 540 | 24 | PK | D08032J | 37 | | 21-53-22 | TB0182X | C011 | BJ | R2 | 4 | | VF011-VF011, VK081-VK089, VN051-VN054 | |
| 541 | 24 | PV | D08032J | 29 | | 21-58-11 | TB0182Y | C002 | BJ | R2 | 2 | | | |
| 541 | 24 | PV | D08032J | 29 | | 73-21-11 | TB0182Y | A003 | BJ | R2 | 3 | | VF011-VF011, VK081-VK089, VN051-VN054 | |
| 541 | 24 | PV | D08032J | 29 | | 73-21-11 | D08032J | 42 | | R2 | 3 | MLA-T2 | | |
| 541Z | 24 | PK | D08032J | 28 | | 73-21-11 | D08032J | 27 | | R2 | 3 | | VF011-VF011, VK081-VK089, VN051-VN054 | |
| 541Z | 24 | PK | D08032J | 28 | | 73-21-11 | TB0182Y | C003 | BJ | R2 | 3 | | VF011-VF011, VK081-VK089, VN051-VN054 | |
| 541Z | 24 | PK | D08032J | 28 | | 73-21-11 | D08032J | 41 | | R2 | 3 | MLA-T2 MRA-T2 MSE-T2 | | |
| 541Z | 24 | PV | D08032J | 28 | | 73-21-11 | D08032J | 41 | | R2 | 3 | | VN085-VN092 | |
| 542 | 24 | PK | D08032J | 58 | | 73-21-11 | TB0248X | D002 | BJ | R2 | 3 | | VF011-VF011, VK081-VK089, VN051-VN054, VN081-VN092 | |
| 542 | 24 | PK | D08032J | 58 | | 73-21-11 | TB0248X | C001 | BJ | R2 | 3 | | VN093-VN110, VS186-VS187 | |
| 542Z | 24 | PK | D08032J | 55 | | 73-21-11 | TB0248X | C002 | BJ | R2 | 3 | | VF011-VF011, VK081-VK089, VN051-VN054, VN081-VN092 | |
| 543 | 24 | PK | D01872 | 11 | | 21-58-12 | TB0182X | D028 | BJ | R2 | 3 | | | |
| 546 | 20 | PA | D05552J | 17 | | 73-21-11 | GDX0004 | S... | 2 | R2 | 3 | | VF011-VF011, VN081-VN092 | |
| 546 | 20 | PA | D08032J | 27 | | 73-21-11 | GDX0004 | S... | 2 | R2 | 3 | | VK081-VK089 | |
| 546 | 20 | PA | D05552J | 17 | | 73-21-11 | GDX0004 | S... | 2 | R2 | 3 | | VN051-VN054 | |
| 547 | 20 | PA | D08032J | 57 | | 73-21-11 | GDX0004 | S... | 2 | R2 | 2 | | VF011-VF011, VN051-VN054, VN081-VN092 | |
| 547 | 20 | PA | D08032J | 57 | | 73-21-11 | GDX0004 | S... | 2 | R2 | 2 | | VK081-VK089 | |

286T1080-301
Wire Bundle Assembly
Figure 115 (Sheet 9)

25-71-01

| WIRE | | FROM EQUIPMENT | | | TO EQUIPMENT | | | WIRE INFO | | | | | |
|--------|----|----------------|---------|------|--------------|----------|---------|-----------|----|---------|----|-------|--|
| NUMBER | GA | TYP | NUMBER | TERM | TT | WDM REF | NUMBER | TERM | TT | EMC/SEP | FT | NOTES | EFFECTIVITY |
| 548 | 20 | PA | D08032J | 44 | | 73-21-11 | GDX0004 | S... | 2 | R2 | 3 | | VF011-VF011, VN081-VN092 |
| 548 | 20 | PA | D08032J | 44 | | 73-21-11 | GDX0004 | S... | 2 | R2 | 3 | | VK081-VK089, VN051-VN054 |
| 549 | 20 | PA | D08032J | 43 | | 73-21-11 | GDX0004 | S... | 2 | R2 | 3 | | VF011-VF011, VN081-VN092 |
| 549 | 20 | PA | D08032J | 43 | | 73-21-11 | GDX0004 | S... | 2 | R2 | 3 | | VK081-VK089, VN051-VN054 |
| 550 | 20 | PA | D08032J | 14 | | 73-21-14 | GDX0004 | S... | 2 | R2 | 3 | | VF011-VF011, VN051-VN054, VN081-VN092 |
| 550 | 20 | PA | D08032J | 14 | | 73-21-14 | GDX0004 | S... | 2 | R2 | 3 | | VK081-VK089 |
| 559 | 22 | PA | D04887J | 27 | | 27-61-11 | TB0158D | A013 | 2 | R2 | 3 | | VF011-VF011, VN086-VN088 |
| 559 | 22 | PA | D04887J | 27 | | 27-61-11 | TB0182D | A022 | 2 | R2 | 3 | | VN051-VN054 |
| 559 | 22 | PA | D04887J | 27 | | 27-61-11 | TB0182D | A027 | 2 | R2 | 3 | | |
| 559 | 22 | PA | D04887J | 27 | | 27-61-11 | TB0158D | A013 | 2 | R2 | 3 | | VN081-VN081, VN084-VN085 |
| 560 | 22 | PA | TB0158D | C013 | 2 | 27-61-11 | TB0158D | C014 | 2 | R2 | 3 | | VN089-VN093 |
| 560 | 22 | PA | TB0182D | C022 | 2 | 27-61-11 | TB0182D | C024 | 2 | R2 | 2 | | VF011-VF011, VN086-VN088 |
| 560 | 22 | PA | TB0182D | C027 | 2 | 27-61-11 | TB0182D | C028 | 2 | R2 | 2 | | VN051-VN054 |
| 560 | 22 | PA | TB0158D | C013 | 2 | 27-61-11 | TB0158D | C014 | 2 | R2 | 2 | | VN081-VN081, VN084-VN085 |
| 600 | 22 | PA | D02676 | 44 | | 27-41-21 | D04887J | 26 | | R2 | 3 | | VN089-VN093 |
| 601 | 24 | PK | D04809J | 23 | | 31-51-42 | TB0182D | C026 | 2 | R2 | 3 | | VK081-VK089, VN051-VN054, VN081-VN110, VS186-VS187 |
| 602 | 20 | PA | D05552J | 1 | | 80-11-21 | GDX0002 | S... | 2 | R2 | 3 | | VF011-VF011, VK081-VK089, VN051-VN054, VN081-VN092 |
| 618 | 24 | PK | D05644J | 11 | | 21-58-11 | TB0158F | C011 | 2 | R2 | 2 | | VS186-VS187 |
| 701 | 22 | PA | TB0182J | C001 | BJ | 21-51-21 | D08032J | 54 | | R2 | 3 | | |
| 706 | 24 | PK | D08032J | 51 | | 30-31-21 | TB0248Y | A014 | BJ | R2 | 3 | | |
| 708 | 24 | PK | D01870 | 24 | | 21-51-13 | D05552J | 5 | | R2 | 4 | | |
| 712 | 24 | PK | D01874 | 2 | | 21-25-11 | TB0248D | A020 | 2 | R2 | 4 | | |
| 713 | 24 | PK | TB0248D | C020 | 2 | 21-25-11 | TB0248Y | C010 | BJ | R2 | 3 | | |
| 714 | 22 | PA | D08032J | 53 | | 73-21-19 | D02676 | 28 | | R2 | 3 | | |
| 715 | 22 | PA | D05766J | 15 | | 24-51-52 | TB0248X | A015 | BJ | R2 | 3 | | |
| 716 | 22 | PA | D05766J | 16 | | 24-51-52 | TB0248X | B015 | BJ | R2 | 3 | | |

286T1080-301
Wire Bundle Assembly
Figure 115 (Sheet 10)

25-71-01



BOEING
COMPONENT
MAINTENANCE MANUAL

| WIRE | | | FROM EQUIPMENT | | | | TO EQUIPMENT | | | | WIRE INFO | | | |
|--------|----|-----|----------------|------|----|----------|--------------|------|----|---------|-----------|-------|--|--|
| NUMBER | GA | TYP | NUMBER | TERM | TT | WDM REF | NUMBER | TERM | TT | EMC/SEP | FT | NOTES | EFFECTIVITY | |
| 718 | 22 | PA | D05766J | 17 | | 24-51-52 | TB0248X | C015 | BJ | R2 | 3 | | VF011-VF011, VN051-VN054, VN081-VN110, VS186-VS187 | |
| 719 | 22 | PA | D05766J | 18 | | 24-51-52 | TB0248X | D015 | BJ | R2 | 3 | | VF011-VF011, VN051-VN054, VN081-VN110, VS186-VS187 | |
| 722 | 22 | PA | D02176 | 25 | | 21-24-11 | TB0182X | B018 | BJ | R2 | 3 | | VF011-VF011, VN051-VN054, VN081-VN110, VS186-VS187 | |
| 723 | 24 | PK | D02176 | 23 | | 21-24-11 | TB0182X | C018 | BJ | R2 | 3 | | VF011-VF011, VN051-VN054, VN081-VN110, VS186-VS187 | |
| 724 | 24 | PK | D02176 | 22 | | 21-24-11 | TB0182X | D018 | BJ | R2 | 3 | | VF011-VF011, VN051-VN054, VN081-VN110, VS186-VS187 | |
| 725 | 22 | PA | D02176 | 3 | | 21-24-11 | GDX0004 | D... | 2 | R2 | 3 | | VF011-VF011, VN051-VN054, VN081-VN093 | |
| 725 | 22 | PA | D02176 | 3 | | 21-24-11 | GDX0004 | D... | 2 | R2 | 3 | | VN094-VN110, VS186-VS187 | |
| 726 | 22 | PA | D02176 | 4 | | 21-24-11 | GDX0004 | D... | 2 | R2 | 3 | | VF011-VF011, VN051-VN054, VN081-VN093 | |
| 726 | 22 | PA | D02176 | 4 | | 21-24-11 | GDX0004 | D... | 2 | R2 | 3 | | VN094-VN110, VS186-VS187 | |
| 728 | 24 | PK | D02176 | 24 | | 21-24-11 | TB0182X | A016 | BJ | R2 | 3 | | VF011-VF011 | |
| 728 | 24 | PK | D02176 | 24 | | 21-24-11 | TB0182X | A018 | BJ | R2 | 3 | | VN051-VN054, VN081-VN110, VS186-VS187 | |
| 729 | 24 | PK | D02176 | 1 | | 21-24-11 | TB0248Y | A013 | BJ | R2 | 3 | | VF011-VF011, VN051-VN054, VN081-VN110, VS186-VS187 | |
| 730 | 24 | PK | D08032J | 3 | | 73-21-15 | TB0182X | D014 | BJ | R2 | 3 | | VF011-VF011, VK081-VK089, VN051-VN054, VN081-VN092 | |
| 730 | 24 | PK | D08032J | 3 | | 73-21-15 | TB0182Y | C014 | BJ | R2 | 3 | | VN093-VN110, VS186-VS187 | |
| 731 | 20 | PA | D05766J | 27 | | 36-11-52 | SM00002 | | W | R2 | 2 | | VN089-VN110, VS186-VS187 | |
| 740 | 24 | PK | D05644J | 25 | | 36-11-52 | SM00001 | | W | R2 | 3 | | | |
| 741 | 24 | PK | D01876 | 54 | | 36-11-52 | SM00001 | | W | R2 | 3 | | | |
| 742 | 22 | PA | D05644J | 34 | | 36-11-52 | SM00002 | | W | R2 | 3 | | | |
| 743 | 22 | PA | D01876 | 59 | | 36-11-52 | SM00002 | | W | R2 | 3 | | | |
| 745 | 22 | PA | D01876 | 11 | | 36-11-52 | D05766J | 3 | | R2 | 3 | | | |
| 746 | 22 | PA | D01876 | 46 | | 36-11-52 | D05766J | 2 | | R2 | 3 | | | |
| 752 | 24 | PK | D01876 | 19 | | 36-11-62 | D05766J | 12 | | R2 | 3 | | | |
| 753 | 22 | PA | D01876 | 3 | | 36-22-11 | TB0248Y | C009 | BJ | R2 | 4 | | | |
| 764 | 24 | PV | D08032J | 48 | | 73-21-11 | TB0248Y | A007 | BJ | R2 | 3 | | VF011-VF011, VK081-VK089, VN051-VN054, VN081-VN092 | |
| 764 | 24 | PK | D08032J | 48 | | 73-21-11 | TB0182G | 24 | 2 | R2 | 3 | | VN093-VN110, VS186-VS187 | |

286T1080-301
Wire Bundle Assembly
Figure 115 (Sheet 11)

25-71-01

| WIRE | | | FROM EQUIPMENT | | | | TO EQUIPMENT | | | | WIRE INFO | | | |
|--------|----|-----|----------------|------|----|----------|--------------|------|----|---------|-----------|-------|--|--|
| NUMBER | GA | TYP | NUMBER | TERM | TT | WDM REF | NUMBER | TERM | TT | EMC/SEP | FT | NOTES | EFFECTIVITY | |
| 764Z | | | D08032J | 49 | | 73-21-11 | TB0248Y | A008 | BJ | R2 | | | VF011-VF011, VK081-VK089, VN051-VN054, VN081-VN092 | |
| 766 | 24 | PK | D02676 | 24 | | 21-51-21 | TB0182D | C021 | 2 | R2 | 4 | | VF011-VF011, VK081-VK089, VN051-VN054, VN081-VN093 | |
| 768 | 24 | PK | D08032J | 40 | | 21-58-11 | TB0158Y | C003 | BJ | R2 | 3 | | VF011-VF011, VN086-VN110, VS186-VS187, | |
| 768 | 24 | PK | D08032J | 40 | | 21-58-11 | TB0158G | 2 | 2 | R2 | 2 | | VK081-VK089, VN051-VN054, VN081-VN085 | |
| 769 | 24 | PK | D02676 | 52 | | 27-51-11 | D08032J | 36 | | R2 | 3 | | | |
| 775 | 24 | PK | D01872 | 8 | | 21-58-11 | GDX0002 | D.. | 2 | R2 | 4 | | | |
| 776 | 24 | PK | D05644J | 33 | | 21-26-11 | TB0158F | A020 | 2 | R2 | 3 | | | |
| 778 | 24 | PK | D05552J | 53 | | 73-21-15 | TB0248X | C012 | BJ | R2 | 2 | | | |
| 779 | 24 | PK | D05552J | 52 | | 73-21-15 | TB0248X | D012 | BJ | R2 | 2 | | | |
| 780 | 24 | PK | D05552J | 55 | | 73-21-15 | TB0158F | C015 | 2 | R2 | 3 | | | |
| 781 | 22 | PA | TB0248D | C021 | 2 | 73-21-19 | TB0248Y | C014 | BJ | R2 | 2 | | | |
| 782 | 22 | PA | TB0248Y | C014 | BJ | 73-21-19 | D08032J | 39 | | R2 | 3 | | | |

 286T1080-301
 Wire Bundle Assembly
 Figure 115 (Sheet 12)

25-71-01

 TESTING & FAULT ISOLATION
 01 Page 144R
 Nov 01/02



BOEING
COMPONENT
MAINTENANCE MANUAL

| WIRE | | | FROM EQUIPMENT | | | | TO EQUIPMENT | | | | WIRE INFO | | | |
|--------|----|-----|----------------|------|----|----------|--------------|------|----|---------|-----------|--------|--|--|
| NUMBER | GA | TYP | NUMBER | TERM | TT | WDM REF | NUMBER | TERM | TT | EMC/SEP | FT | NOTES | EFFECTIVITY | |
| FRA | | | D08032J | | | 73-21-11 | D08032J | 43 | | R2 | | | VK160, VL701-VL750, VL941-VL945, VN055-VN080, VN731-VN790, VR401-VR401, VR426-VR426 | |
| FRA | | | D08032J | | | 73-21-11 | D08032J | 43 | | R2 | | | VN210, VN811-VN820 | |
| PA1 | | | D01874 | 26 | | 99-99-99 | D01874 | 34 | | R2 | | DAW-B2 | | |
| PB1 | | | D01868 | 25 | | 99-99-99 | D01868 | 35 | | R2 | | DAW-B2 | | |
| PC1 | | | D01870 | 22 | | 99-99-99 | D01870 | 38 | | R2 | | DAW-B2 | | |
| PD1 | | | D01872 | 24 | | 99-99-99 | D01872 | 36 | | R2 | | DAW-B2 | | |
| PE1 | | | D02176 | 26 | | 21-58-15 | D02176 | 34 | | R2 | | DAW-B2 | | |
| PF1 | | | D01876 | 41 | | 36-11-52 | D01876 | 63 | | R2 | | DAW-B2 | VK142, VN055-VN062, VN191-VN193, VN291-VN291, VN651-VN651, VN731-VN731 | |
| PF1 | | | D01876 | 9 | | 36-11-52 | D01876 | 51 | | R2 | | DAW-B2 | VK160, VL701-VL750, VL941-VL945, VM999-VM999, VN063-VN080, VN194-VN210, VN292-VN300, VN652-VN670, VN676-VN680, VN732-VN790, VN811-VN820, VR401-VR401, VR426-VR426, VS111-VS111 | |
| PH1 | | | D02676 | 47 | | 27-58-21 | D02676 | 66 | | R2 | | DAW-B2 | VN058, VN191-VN191 | |
| PH1 | | | D02676 | 47 | | 27-58-21 | D02676 | 64 | | R2 | | DAW-B2 | VK160, VL701-VL750, VL941-VL945, VM999-VM999, VN059-VN080, VN192-VN210, VN291-VN300, VN651-VN670, VN676-VN680, VN731-VN790, VN811-VN820, VR401-VR401, VR426-VR426, VS111-VS111 | |
| 1 | 24 | PK | TB0158Y | C008 | BJ | 21-51-21 | D05552J | 18 | | R2 | 3 | | VN059, VN191-VN194 | |
| 1 | 24 | PK | D01868 | 19 | | 21-51-21 | D05552J | 18 | | R2 | 3 | | VK160, VL701-VL750, VL941-VL945, VM999-VM999, VN060-VN080, VN195-VN210, VN291-VN300, VN651-VN656, VN676-VN680, VN731-VN790, VN811-VN820, VR401-VR401, VR426-VR426 | |
| 1 | 24 | PK | D01868 | 19 | | 21-51-21 | D05552J | 18 | | R2 | 2 | | VS111 | |
| 2 | 22 | PA | D01868 | 21 | | 21-51-21 | GDX0002 | D.. | 2 | R2 | 4 | | VK160, VL701-VL750, VL941-VL945, VM999-VM999, VN055-VN080, VN191-VN210, VN291-VN300, VN651-VN656, VN676-VN680, VN731-VN790, VN811-VN820, VR401-VR401, VR426-VR426 | |
| 2 | 22 | PA | D01868 | 21 | | 21-51-21 | GDX0002 | D.. | 2 | R2 | 3 | | VS111 | |
| 3 | 24 | PK | D01868 | 13 | | 21-51-21 | TB0248Y | C004 | BJ | R2 | 4 | | VN058, VN191-VN192 | |

286T1080-302
Wire Bundle Assembly
Figure 116 (Sheet 1)

25-71-01

| WIRE | | | FROM EQUIPMENT | | | | TO EQUIPMENT | | | | WIRE INFO | | |
|--------|----|-----|----------------|------|----|----------|--------------|------|----|---------|-----------|-------|--|
| NUMBER | GA | TYP | NUMBER | TERM | TT | WDM REF | NUMBER | TERM | TT | EMC/SEP | FT | NOTES | EFFECTIVITY |
| 4 | 24 | PK | D01868 | 14 | | 21-51-21 | D05552J | 6 | | R2 | 4 | | VK160, VL701-VL750, VL941-VL945, VM999-VM999, VN055-VN080, VN191VN210, VN291-VN300, VN651-VN656, VN676-VN680, VN731-VN790, VN811-VN820, VR401-VR401, VR426-VR426 |
| 4 | 24 | PK | D01868 | 14 | | 21-51-21 | D05552J | 6 | | R2 | 2 | | VS111 |
| 5 | 24 | PK | D01868 | 8 | | 21-51-21 | D05552J | 7 | | R2 | 4 | | VK160, VL701-VL750, VL941-VL945, VM999-VM999, VN055-VN080, VN191VN210, VN291-VN300, VN651-VN656, VN676-VN680, VN731-VN790, VN811-VN820, VR401-VR401, VR426-VR426 |
| 5 | 24 | PK | D01868 | 8 | | 21-51-21 | D05552J | 7 | | R2 | 2 | | VS111 |
| 6 | 24 | PK | D01868 | 7 | | 21-51-21 | D05552J | 8 | | R2 | 4 | | VK160, VL701-VL750, VL941-VL945, VM999-VM999, VN055-VN080, VN191VN210, VN291-VN300, VN651-VN656, VN676-VN680, VN731-VN790, VN811-VN820, VR401-VR401, VR426-VR426 |
| 6 | 24 | PK | D01868 | 7 | | 21-51-21 | D05552J | 8 | | R2 | 2 | | VS111 |
| 7 | 24 | PK | D01868 | 36 | | 21-51-21 | TB0158G | 4 | 2 | R2 | 4 | | VN058, VN191-VN192 |
| 7 | 24 | PK | D01868 | 36 | | 21-51-21 | TB0158Y | C004 | BJ | R2 | 4 | | VK160, VL701-VL750, VL941-VL945, VM999-VM999, VN059-VN080, VN193VN210, VN291-VN300, VN651-VN656, VN676-VN680, VN731-VN790, VN811-VN820, VR401-VR401, VR426-VR426 |
| 7 | 24 | PK | D01868 | 36 | | 21-51-21 | TB0158Y | C004 | BJ | R2 | 3 | | VS111 |
| 8 | 24 | PK | D01868 | 15 | | 21-51-11 | TB0158G | 3 | 2 | R2 | 4 | | VN058, VN191-VN192 |
| 8 | 24 | PK | D01868 | 15 | | 21-51-11 | TB0158Y | A004 | BJ | R2 | 4 | | VK160, VL701-VL750, VL941-VL945, VM999-VM999, VN059-VN080, VN193VN210, VN291-VN300, VN651-VN656, VN676-VN680, VN731-VN790, VN811-VN820, VR401-VR401, VR426-VR426 |
| 8 | 24 | PK | D01868 | 15 | | 21-51-11 | TB0158Y | A004 | BJ | R2 | 3 | | VS111 |
| 9 | 24 | PK | D01868 | 17 | | 21-51-21 | D08032J | 38 | | R2 | 4 | | VK160, VL701-VL750, VL941-VL945, VM999-VM999, VN055-VN080, VN191VN210, VN291-VN300, VN651-VN656, VN676-VN680, VN731-VN790, VN811-VN820, VR401-VR401, VR426-VR426 |
| 9 | 24 | PK | D01868 | 17 | | 21-51-21 | D08032J | 38 | | R2 | 2 | | VS111 |

286T1080-302
Wire Bundle Assembly
Figure 116 (Sheet 2)

25-71-01



COMPONENT
MAINTENANCE MANUAL

| WIRE | | | | FROM EQUIPMENT | | | | TO EQUIPMENT | | | | WIRE INFO | | | |
|--------|----|-----|---------|----------------|------|----------|---------|--------------|------|----|---------|-----------|----------------------------|--|--|
| NUMBER | GA | TYP | PK | NUMBER | TERM | TT | WDM REF | NUMBER | TERM | TT | EMC/SEP | FT | NOTES | EFFECTIVITY | |
| 01A | 24 | PK | TB0158F | A017 | 2 | 21-26-11 | D05644J | 27 | | | R2 | 4 | | VK160, VL701-VL750, VL941-VL945, VM999-VM999, VN061-VN080, VN193VN210, VN291-VN300, VN651-VN656, VN676-VN680, VN731-VN790, VN811-VN820, VR401-VR401, VR426-VR426 | |
| 01A | 24 | PK | TB0158F | A017 | 2 | 21-26-11 | D05644J | 27 | | | R2 | 4 | MNU-F2 MLA-T2 ZSZ-B6 | | |
| 01A | 24 | PK | TB0158F | A017 | 2 | 21-26-11 | D05644J | 27 | | | R2 | 2 | | VS111 | |
| 10 | 24 | PK | TB0248X | B001 | BJ | 31-51-41 | D04809J | 12 | | | R2 | 3 | | VK160, VL701-VL750, VL941-VL945, VM999-VM999, VN055-VN080, VN191VN210, VN291-VN300, VN651-VN656, VN676-VN680, VN731-VN790, VN811-VN820, VR401-VR401, VR426-VR426 | |
| 10 | 24 | PK | TB0248X | B001 | BJ | 31-51-41 | D04809J | 12 | | | R2 | 2 | | VS111 | |
| 11 | 22 | PA | D01876 | 39 | | 36-11-52 | D05766J | 13 | | | R2 | 3 | | VK160, VL701-VL750, VL941-VL945, VM999-VM999, VN055-VN080, VN191VN210, VN291-VN300, VN651-VN656, VN676-VN680, VN731-VN790, VN811-VN820, VR401-VR401, VR426-VR426 | |
| 11 | 22 | PA | D01876 | 39 | | 36-11-52 | D05766J | 13 | | | R2 | 2 | | VS111 | |
| 12 | 24 | PK | D01868 | 19 | | 21-51-21 | TB0158Y | C008 | BJ | | R2 | 4 | | VN059, VN191-VN194 | |
| 13 | 24 | PK | D05552J | 25 | | 21-51-21 | TB0158Y | A008 | BJ | | R2 | 2 | | VK160, VL701-VL750, VL941-VL945, VM999-VM999, VN055-VN080, VN191VN210, VN291-VN300, VN651-VN656, VN676-VN680, VN731-VN790, VN811-VN820, VR401-VR401, VR426-VR426 | |
| 13 | 24 | PK | D05552J | 25 | | 21-51-21 | TB0158Y | A008 | BJ | | R2 | 2 | | VS111 | |
| 14 | 24 | PK | D01868 | 4 | | 21-51-21 | TB0158Y | A008 | BJ | | R2 | 4 | | VK160, VL701-VL750, VL941-VL945, VM999-VM999, VN055-VN080, VN191VN210, VN291-VN300, VN651-VN656, VN676-VN680, VN731-VN790, VN811-VN820, VR401-VR401, VR426-VR426 | |
| 14 | 24 | PK | D01868 | 4 | | 21-51-21 | TB0158Y | A008 | BJ | | R2 | 3 | | VS111 | |
| 15 | 24 | PK | D01868 | 5 | | 21-51-21 | TB0158Y | C007 | BJ | | R2 | 4 | | VK160, VL701-VL750, VL941-VL945, VM999-VM999, VN055-VN080, VN191VN210, VN291-VN300, VN651-VN656, VN676-VN680, VN731-VN790, VN811-VN820, VR401-VR401, VR426-VR426 | |
| 15 | 24 | PK | D01868 | 5 | | 21-51-21 | TB0158Y | C007 | BJ | | R2 | 3 | | VS111 | |

286T1080-302
Wire Bundle Assembly
Figure 116 (Sheet 3)

25-71-01



COMPONENT
MAINTENANCE MANUAL

| WIRE | | | FROM EQUIPMENT | | | TO EQUIPMENT | | | WIRE INFO | | | | |
|--------|----|-----|----------------|------|----|--------------|---------|------|-----------|---------|----|-------|--|
| NUMBER | GA | TYP | NUMBER | TERM | TT | WDM REF | NUMBER | TERM | TT | EMC/SEP | FT | NOTES | EFFECTIVITY |
| 16 | 24 | PK | D01868 | 22 | | 21-51-21 | D05552J | 21 | | R2 | 4 | | VK160, VL701-VL750, VL941-VL945, VM999-VM999, VN055-VN080, VN191VN210, VN291-VN300, VN651-VN656, VN676-VN680, VN731-VN790, VN811-VN820, VR401-VR401, VR426-VR426 |
| 16 | 24 | PK | D01868 | 22 | | 21-51-21 | D05552J | 21 | | R2 | 2 | | VS111 |
| 17 | 24 | PK | D01868 | 1 | | 21-51-21 | D05552J | 22 | | R2 | 4 | | VK160, VL701-VL750, VL941-VL945, VM999-VM999, VN055-VN080, VN191VN210, VN291-VN300, VN651-VN656, VN676-VN680, VN731-VN790, VN811-VN820, VR401-VR401, VR426-VR426 |
| 17 | 24 | PK | D01868 | 1 | | 21-51-21 | D05552J | 22 | | R2 | 2 | | VS111 |
| 18 | 24 | PK | D01868 | 27 | | 21-51-21 | TB0182D | A021 | 2 | R2 | 4 | | VN062, VN191-VN194 |
| 18 | 24 | PK | D01868 | 27 | | 21-51-21 | D02676 | 24 | | R2 | 3 | | VK160, VL701-VL750, VL941-VL945, VM999-VM999, VN063-VN080, VN191VN210, VN291-VN300, VN651-VN656, VN676-VN680, VN731-VN790, VN811-VN820, VR401-VR401, VR426-VR426 |
| 18 | 24 | PK | D01868 | 27 | | 21-51-21 | D02676 | 24 | | R2 | 1 | | VS111 |
| 19 | 24 | PK | D01868 | 6 | | 21-51-21 | D02676 | 27 | | R2 | 3 | | VK160, VL701-VL750, VL941-VL945, VM999-VM999, VN055-VN080, VN191VN210, VN291-VN300, VN651-VN656, VN676-VN680, VN731-VN790, VN811-VN820, VR401-VR401, VR426-VR426 |
| 19 | 24 | PK | D01868 | 6 | | 21-51-21 | D02676 | 27 | | R2 | 1 | | VS111 |
| 20 | 22 | PA | D01868 | 28 | | 21-51-21 | TB0182Y | C001 | BJ | R2 | 4 | | VK160, VL701-VL750, VL941-VL945, VM999-VM999, VN055-VN080, VN191VN210, VN291-VN300, VN651-VN656, VN676-VN680, VN731-VN790, VN811-VN820, VR401-VR401, VR426-VR426 |
| 20 | 22 | PA | D01868 | 28 | | 21-51-21 | TB0182Y | C001 | BJ | R2 | 3 | | VS111 |
| 21 | 24 | PK | D01868 | 31 | | 21-25-21 | D05552J | 27 | | R2 | 4 | | VK160, VL701-VL750, VL941-VL945, VM999-VM999, VN055-VN080, VN191VN210, VN291-VN300, VN651-VN656, VN676-VN680, VN731-VN790, VN811-VN820, VR401-VR401, VR426-VR426 |
| 21 | 24 | PK | D01868 | 31 | | 21-25-21 | D05552J | 27 | | R2 | 2 | | VS111 |

286T1080-302
Wire Bundle Assembly
Figure 116 (Sheet 4)

25-71-01



BOEING
COMPONENT
MAINTENANCE MANUAL

| WIRE | | | | FROM EQUIPMENT | | | | TO EQUIPMENT | | | | WIRE INFO | | | |
|--------|----|-----|---------|----------------|----|----------|---------|--------------|----|---------|----|-----------|--|--|--|
| NUMBER | GA | TYP | NUMBER | TERM | TT | NDM REF | NUMBER | TERM | TT | EMC/SEP | FT | NOTES | EFFECTIVITY | | |
| 22 | 24 | PK | D01868 | 9 | | 21-53-21 | D08032J | 46 | | R2 | 4 | | VK160, VL701-VL750, VL941-VL945, VM999-VM999, VN055-VN080, VNL191VN210, VN291-VN300, VN651-VN656, VN676-VN680, VNT731-VN790, VN811-VN820, VR401-VR401, VR426-VR426 | | |
| 22 | 24 | PK | D01868 | 9 | | 21-53-21 | D08032J | 46 | | R2 | 2 | | VS111 | | |
| 23 | 24 | PK | D01868 | 26 | | 21-53-22 | TB0158F | C012 | 2 | R2 | 4 | | VK160, VL701-VL750, VL941-VL945, VM999-VM999, VN055-VN080, VNL191VN210, VN291-VN300, VN651-VN656, VN676-VN680, VNT731-VN790, VN811-VN820, VR401-VR401, VR426-VR426 | | |
| 23 | 24 | PK | D01868 | 26 | | 21-53-22 | TB0158F | C012 | 2 | R2 | 2 | | VS111 | | |
| 24 | 24 | PK | D05552J | 31 | | 21-51-21 | TB0158Y | C007 | BJ | R2 | 2 | | VK160, VL701-VL750, VL941-VL945, VM999-VM999, VN055-VN080, VNL191VN210, VN291-VN300, VN651-VN656, VN676-VN680, VNT731-VN790, VN811-VN820, VR401-VR401, VR426-VR426 | | |
| 24 | 24 | PK | D05552J | 31 | | 21-51-21 | TB0158Y | C007 | BJ | R2 | 2 | | VS111 | | |
| 25 | 24 | PK | D01868 | 2 | | 21-51-21 | D05552J | 4 | | R2 | 4 | | VK160, VL701-VL750, VL941-VL945, VM999-VM999, VN055-VN080, VNL191VN210, VN291-VN300, VN651-VN656, VN676-VN680, VNT731-VN790, VN811-VN820, VR401-VR401, VR426-VR426 | | |
| 25 | 24 | PK | D01868 | 2 | | 21-51-21 | D05552J | 4 | | R2 | 2 | | VS111 | | |
| 26 | 24 | PK | D01868 | 32 | | 73-21-15 | D05552J | 54 | | R2 | 3 | | VK160, VL701-VL750, VL941-VL945, VM999-VM999, VN055-VN080, VNL191VN210, VN291-VN300, VN651-VN656, VN676-VN680, VNT731-VN790, VN811-VN820, VR401-VR401, VR426-VR426 | | |
| 26 | 24 | PK | D01868 | 32 | | 73-21-15 | D05552J | 54 | | R2 | 2 | | VS111 | | |
| 27 | 24 | PK | TB0158F | A015 | 2 | 73-21-15 | D01868 | 18 | | R2 | 3 | | VK160, VL701-VL750, VL941-VL945, VM999-VM999, VN055-VN080, VNL191VN210, VN291-VN300, VN651-VN656, VN676-VN680, VNT731-VN790, VN811-VN820, VR401-VR401, VR426-VR426 | | |
| 28 | 22 | PA | D01868 | 10 | | 21-51-21 | TB0158G | 16 | 2 | R2 | 4 | | VS111 | | |
| 28 | 22 | PA | D01868 | 10 | | 21-51-21 | TB0158G | 16 | 2 | R2 | 3 | | VK142, VN055-VN060, VNL191-VN192 | | |
| 29 | 24 | PK | D01874 | 29 | | 21-26-11 | TB0158F | A017 | 2 | R2 | 4 | | VS111 | | |

286T1080-302
Wire Bundle Assembly
Figure 116 (Sheet 5)

25-71-01

| WIRE | | | FROM EQUIPMENT | | | TO EQUIPMENT | | | WIRE INFO | | | | |
|--------|----|-----|----------------|------|----|--------------|---------|------|-----------|---------|----|----------------------------|--|
| NUMBER | GA | TYP | NUMBER | TERM | TT | WDM REF | NUMBER | TERM | TT | EMC/SEP | FT | NOTES | EFFECTIVITY |
| 29 | 24 | PK | D01874 | 29 | | 21-26-11 | D05644J | 26 | | R2 | 4 | | VK160, VL701-VL750, VL941-VL945, VM999-VM999, VN061-VN080, VN193VN210, VN291-VN300, VN651-VN656, VN676-VN680, VN731-VN790, VN811-VN820, VR401-VR401, VR426-VR426 |
| 29 | 24 | PK | D01874 | 29 | | 21-26-11 | D05644J | 26 | | R2 | 4 | MOT-F2 MLA-T2 ZSZ-B6 | |
| 29 | 24 | PK | D01874 | 29 | | 21-26-11 | D05644J | 26 | | R2 | 2 | | VS111 |
| 30 | 24 | PK | D01868 | 12 | | 21-51-21 | TB0158G | 14 | 2 | R2 | 4 | | VN058, VN191-VN192 |
| 30 | 24 | PK | D01868 | 12 | | 21-51-21 | TB0158Y | C001 | BJ | R2 | 4 | | VK160, VL701-VL750, VL941-VL945, VM999-VM999, VN059-VN080, VN193VN210, VN291-VN300, VN651-VN656, VN676-VN680, VN731-VN790, VN811-VN820, VR401-VR401, VR426-VR426 |
| 30 | 24 | PK | D01868 | 12 | | 21-51-21 | TB0158Y | C001 | BJ | R2 | 3 | | VS111 |
| 32 | 22 | PA | TB0182Y | C001 | BJ | 21-51-21 | D05552J | 24 | | R2 | 3 | | VK160, VL701-VL750, VL941-VL945, VM999-VM999, VN055-VN080, VN191VN210, VN291-VN300, VN651-VN656, VN676-VN680, VN731-VN790, VN811-VN820, VR401-VR401, VR426-VR426 |
| 32 | 22 | PA | TB0182Y | C001 | BJ | 21-51-21 | D05552J | 24 | | R2 | 2 | | VS111 |
| 33 | 24 | PK | D01876 | 64 | | 36-11-41 | TB0248Y | A003 | BJ | R2 | 3 | | |
| 34 | 22 | PA | TB0158G | 16 | 2 | 21-51-21 | D05552J | 23 | | R2 | 3 | | VK160, VL701-VL750, VL941-VL945, VM999-VM999, VN055-VN080, VN191VN210, VN291-VN300, VN651-VN656, VN676-VN680, VN731-VN790, VN811-VN820, VR401-VR401, VR426-VR426 |
| 34 | 22 | PA | TB0158G | 16 | 2 | 21-51-21 | D05552J | 23 | | R2 | 2 | | VS111 |
| 35 | 24 | PK | D01874 | 1 | | 21-25-21 | D05552J | 29 | | R2 | 4 | | VK160, VL701-VL750, VL941-VL945, VM999-VM999, VN055-VN080, VN191VN210, VN291-VN300, VN651-VN656, VN676-VN680, VN731-VN790, VN811-VN820, VR401-VR401, VR426-VR426 |
| 35 | 24 | PK | D01874 | 1 | | 21-25-21 | D05552J | 29 | | R2 | 2 | | VS111 |
| 36 | 22 | PA | D01874 | 3 | | 21-25-21 | GDX0002 | D.. | 2 | R2 | 4 | | VK160, VL701-VL750, VL941-VL945, VM999-VM999, VN055-VN080, VN191VN210, VN291-VN300, VN651-VN656, VN676-VN680, VN731-VN790, VN811-VN820, VR401-VR401, VR426-VR426 |

286T1080-302
Wire Bundle Assembly
Figure 116 (Sheet 6)

25-71-01



BOEING
COMPONENT
MAINTENANCE MANUAL

| WIRE | | | FROM EQUIPMENT | | | TO EQUIPMENT | | | WIRE INFO | | | | |
|--------|----|-----|----------------|------|----|--------------|---------|------|-----------|---------|----|-------|--|
| NUMBER | GA | TYP | NUMBER | TERM | TT | WDM REF | NUMBER | TERM | TT | EMC/SEP | FT | NOTES | EFFECTIVITY |
| 36 | 22 | PA | D01874 | 3 | | 21-25-21 | GDX0002 | D.. | 2 | R2 | 3 | | VS111 |
| 37 | 24 | PK | D01874 | 24 | | 21-25-21 | D05552J | 26 | 4 | R2 | 4 | | VK160, VL701-VL750, VL941-VL945, VM999-VM999, VN055-VN080, VN191VN210, VN291-VN300, VN651-VN656, VN676-VN680, VN731-VN790, VN811-VN820, VR401-VR401, VR426-VR426 |
| 37 | 24 | PK | D01874 | 24 | | 21-25-21 | D05552J | 26 | 2 | R2 | 2 | | VS111 |
| 38 | 22 | PA | D01874 | 4 | | 21-25-21 | GDX0004 | D.. | 2 | R2 | 4 | | VK160, VL701-VL750, VL941-VL945, VM999-VM999, VN055-VN080, VN191VN210, VN291-VN300, VN651-VN656, VN676-VN680, VN731-VN790, VN811-VN820, VR401-VR401, VR426-VR426 |
| 38 | 22 | PA | D01874 | 4 | | 21-25-21 | GDX0004 | D.. | 2 | R2 | 3 | | VS111 |
| 39 | 24 | PK | D01874 | 22 | | 21-25-21 | D05552J | 28 | 4 | R2 | 4 | | VK160, VL701-VL750, VL941-VL945, VM999-VM999, VN055-VN080, VN191VN210, VN291-VN300, VN651-VN656, VN676-VN680, VN731-VN790, VN811-VN820, VR401-VR401, VR426-VR426 |
| 39 | 24 | PK | D01874 | 22 | | 21-25-21 | D05552J | 28 | 2 | R2 | 2 | | VS111 |
| 40 | 24 | PK | D01874 | 23 | | 21-25-21 | D05552J | 30 | 4 | R2 | 4 | | VK160, VL701-VL750, VL941-VL945, VM999-VM999, VN055-VN080, VN191VN210, VN291-VN300, VN651-VN656, VN676-VN680, VN731-VN790, VN811-VN820, VR401-VR401, VR426-VR426 |
| 40 | 24 | PK | D01874 | 23 | | 21-25-21 | D05552J | 30 | 2 | R2 | 2 | | VS111 |
| 41 | 24 | PK | D02176 | 13 | | 21-58-15 | D05644J | 8 | 3 | R2 | 3 | | VK160, VL701-VL750, VL941-VL945, VM999-VM999, VN055-VN080, VN191VN210, VN291-VN300, VN651-VN656, VN676-VN680, VN731-VN790, VN811-VN820, VR401-VR401, VR426-VR426 |
| 41 | 24 | PK | D02176 | 13 | | 21-58-15 | D05644J | 8 | 1 | R2 | 1 | | VS111 |
| 42 | 22 | PA | D02176 | 15 | | 21-58-15 | GDX0004 | D.. | 2 | R2 | 4 | | VK160, VL701-VL750, VL941-VL945, VM999-VM999, VN055-VN080, VN191VN210, VN291-VN300, VN651-VN656, VN676-VN680, VN731-VN790, VN811-VN820, VR401-VR401, VR426-VR426 |
| 42 | 22 | PA | D02176 | 15 | | 21-58-15 | GDX0004 | D.. | 2 | R2 | 2 | | VS111 |

286T1080-302
Wire Bundle Assembly
Figure 116 (Sheet 7)

25-71-01

| WIRE | | | FROM EQUIPMENT | | | TO EQUIPMENT | | | WIRE INFO | | | | |
|--------|----|-----|----------------|------|----|--------------|---------|------|-----------|-------------|----|-------|--|
| NUMBER | GA | TYP | NUMBER | TERM | TT | WDM REF | NUMBER | TERM | TT | EMC/ SEP | FT | NOTES | EFFECTIVITY |
| 43 | 22 | PA | D02176 | 12 | | 21-58-15 | TB0182X | C016 | BJ | R2 | 4 | | VK160, VL701-VL750, VL941-VL945, VM999-VM999, VN055-VN080, VN191VN210, VN291-VN300, VN651-VN656, VN676-VN680, VN731-VN790, VN811-VN820, VR401-VR401, VR426-VR426 |
| 43 | 22 | PA | D02176 | 12 | | 21-58-15 | TB0182X | C016 | BJ | R2 | 2 | | VS111 |
| 44 | 24 | PK | D02176 | 33 | | 21-58-15 | D05644J | 4 | | R2 | 3 | | VK160, VL701-VL750, VL941-VL945, VM999-VM999, VN055-VN080, VN191VN210, VN291-VN300, VN651-VN656, VN676-VN680, VN731-VN790, VN811-VN820, VR401-VR401, VR426-VR426 |
| 44 | 24 | PK | D02176 | 33 | | 21-58-15 | D05644J | 4 | | R2 | 1 | | VS111 |
| 45 | 24 | PK | D02176 | 11 | | 21-58-15 | D05644J | 7 | | R2 | 3 | | VK160, VL701-VL750, VL941-VL945, VM999-VM999, VN055-VN080, VN191VN210, VN291-VN300, VN651-VN656, VN676-VN680, VN731-VN790, VN811-VN820, VR401-VR401, VR426-VR426 |
| 45 | 24 | PK | D02176 | 11 | | 21-58-15 | D05644J | 7 | | R2 | 1 | | VS111 |
| 46 | 24 | PK | D02176 | 32 | | 21-58-15 | D05644J | 1 | | R2 | 3 | | VK160, VL701-VL750, VL941-VL945, VM999-VM999, VN055-VN080, VN191VN210, VN291-VN300, VN651-VN656, VN676-VN680, VN731-VN790, VN811-VN820, VR401-VR401, VR426-VR426 |
| 46 | 24 | PK | D02176 | 32 | | 21-58-15 | D05644J | 1 | | R2 | 1 | | VS111 |
| 47 | 22 | PA | D05644J | 14 | | 36-11-52 | TB0248X | B012 | BJ | R2 | 3 | | VK160, VL701-VL750, VL941-VL945, VM999-VM999, VN055-VN080, VN191VN210, VN291-VN300, VN651-VN656, VN676-VN680, VN731-VN790, VN811-VN820, VR401-VR401, VR426-VR426 |
| 47 | 22 | PA | D05644J | 14 | | 36-11-52 | TB0248X | B012 | BJ | R2 | 1 | | VS111 |
| 48 | 24 | PK | D02176 | 37 | | 21-58-15 | TB0248X | A012 | BJ | R2 | 3 | | VK160, VL701-VL750, VL941-VL945, VM999-VM999, VN055-VN080, VN191VN210, VN291-VN300, VN651-VN656, VN676-VN680, VN731-VN790, VN811-VN820, VR401-VR401, VR426-VR426 |
| 48 | 24 | PK | D02176 | 37 | | 21-58-15 | TB0248X | A012 | BJ | R2 | 2 | | VS111 |
| 50 | 24 | PK | D01874 | 7 | | 21-26-11 | D05644J | 21 | | R2 | 3 | | VK160, VL701-VL750, VL941-VL945, VM999-VM999, VN055-VN080, VN191VN210, VN291-VN300, VN651-VN656, VN676-VN680, VN731-VN790, VN811-VN820, VR401-VR401, VR426-VR426 |

286T1080-302
Wire Bundle Assembly
Figure 116 (Sheet 8)

25-71-01



BOEING
COMPONENT
MAINTENANCE MANUAL

| WIRE | | | FROM EQUIPMENT | | | TO EQUIPMENT | | | WIRE INFO | | | | |
|--------|----|-----|----------------|------|----|--------------|---------|------|-----------|---------|----|-------|--|
| NUMBER | GA | TYP | NUMBER | TERM | TT | WDM REF | NUMBER | TERM | TT | EMC/SEP | FT | NOTES | EFFECTIVITY |
| 50 | 24 | PK | D01874 | 7 | | 21-26-11 | D05644J | 21 | | R2 | 2 | | VS111 |
| 51 | 22 | PA | D01874 | 9 | | 21-26-11 | GDX0002 | D.. | 2 | R2 | 4 | | VK160, VL701-VL750, VL941-VL945, VM999-VM999, VN055-VN080, VN191VN210, VN291-VN300, VN651-VN656, VN676-VN680, VN731-VN790, VN811-VN820, VR401-VR401, VR426-VR426 |
| 51 | 22 | PA | D01874 | 9 | | 21-26-11 | GDX0002 | D.. | 2 | R2 | 3 | | VS111 |
| 52 | 24 | PK | D01874 | 28 | | 21-26-11 | D05644J | 22 | | R2 | 3 | | VK160, VL701-VL750, VL941-VL945, VM999-VM999, VN055-VN080, VN191VN210, VN291-VN300, VN651-VN656, VN676-VN680, VN731-VN790, VN811-VN820, VR401-VR401, VR426-VR426 |
| 52 | 24 | PK | D01874 | 28 | | 21-26-11 | D05644J | 22 | | R2 | 2 | | VS111 |
| 53 | 24 | PK | D01874 | 8 | | 21-26-11 | D05644J | 18 | | R2 | 3 | | VK160, VL701-VL750, VL941-VL945, VM999-VM999, VN055-VN080, VN191VN210, VN291-VN300, VN651-VN656, VN676-VN680, VN731-VN790, VN811-VN820, VR401-VR401, VR426-VR426 |
| 53 | 24 | PK | D01874 | 8 | | 21-26-11 | D05644J | 18 | | R2 | 2 | | VS111 |
| 54 | 24 | PK | D01874 | 6 | | 21-26-11 | D05644J | 20 | | R2 | 3 | | VK160, VL701-VL750, VL941-VL945, VM999-VM999, VN055-VN080, VN191VN210, VN291-VN300, VN651-VN656, VN676-VN680, VN731-VN790, VN811-VN820, VR401-VR401, VR426-VR426 |
| 54 | 24 | PK | D01874 | 6 | | 21-26-11 | D05644J | 20 | | R2 | 2 | | VS111 |
| 55 | 24 | PK | D01874 | 27 | | 21-26-11 | D05644J | 17 | | R2 | 3 | | VK160, VL701-VL750, VL941-VL945, VM999-VM999, VN055-VN080, VN191VN210, VN291-VN300, VN651-VN656, VN676-VN680, VN731-VN790, VN811-VN820, VR401-VR401, VR426-VR426 |
| 55 | 24 | PK | D01874 | 27 | | 21-26-11 | D05644J | 17 | | R2 | 2 | | VS111 |
| 55 | 24 | PK | D01874 | 27 | | 21-26-11 | D05644J | 17 | | R2 | 2 | | VK160, VL701-VL750, VL941-VL945, VM999-VM999, VN055-VN080, VN191VN210, VN291-VN300, VN651-VN656, VN676-VN680, VN731-VN790, VN811-VN820, VR401-VR401, VR426-VR426 |
| 56 | 24 | PK | D01874 | 36 | | 21-26-11 | D05644J | 32 | | R2 | 3 | | VS111 |
| 56 | 24 | PK | D01874 | 36 | | 21-26-11 | D05644J | 32 | | R2 | 2 | | VK160, VL701-VL750, VL941-VL945, VM999-VM999, VN055-VN080, VN191VN210, VN291-VN300, VN651-VN656, VN676-VN680, VN731-VN790, VN811-VN820, VR401-VR401, VR426-VR426 |
| 56 | 24 | PK | D01874 | 36 | | 21-26-11 | D05644J | 32 | | R2 | 2 | | VS111 |

286T1080-302
Wire Bundle Assembly
Figure 116 (Sheet 9)

25-71-01

| WIRE | | FROM EQUIPMENT | | | TO EQUIPMENT | | | WIRE INFO | | | | | |
|--------|----|----------------|---------|------|--------------|----------|---------|-----------|----|---------|----|-------|--|
| NUMBER | GA | TYP | NUMBER | TERM | TT | WDM REF | NUMBER | TERM | TT | EMC/SEP | FT | NOTES | EFFECTIVITY |
| 63 | 24 | PK | D02176 | 14 | | 21-58-15 | TB0158F | C020 | 2 | R2 | 4 | | VK160, VL701-VL750, VL941-VL945, VM999-VM999, VN055-VN080, VN191VN210, VN291-VN300, VN651-VN656, VN676-VN680, VN731-VN790, VN811-VN820, VR401-VR401, VR426-VR426 |
| 63 | 24 | PK | D02176 | 14 | | 21-58-15 | TB0158F | C020 | 2 | R2 | 2 | | VS111 |
| 66 | 24 | PK | D01874 | 35 | | 21-26-11 | TB0248X | C011 | BJ | R2 | 4 | | VK160, VL701-VL750, VL941-VL945, VM999-VM999, VN055-VN080, VN191VN210, VN291-VN300, VN651-VN656, VN676-VN680, VN731-VN790, VN811-VN820, VR401-VR401, VR426-VR426 |
| 66 | 24 | PK | D01874 | 35 | | 21-26-11 | TB0248X | C011 | BJ | R2 | 2 | | VS111 |
| 67 | 24 | PK | TB0158F | C017 | 2 | 21-58-15 | D02176 | 38 | | R2 | 4 | | VK160, VL701-VL750, VL941-VL945, VM999-VM999, VN055-VN080, VN191VN210, VN291-VN300, VN651-VN656, VN676-VN680, VN731-VN790, VN811-VN820, VR401-VR401, VR426-VR426 |
| 67 | 24 | PK | TB0158F | C017 | 2 | 21-58-15 | D02176 | 38 | | R2 | 2 | | VS111 |
| 68 | 24 | PK | D01870 | 19 | | 21-53-12 | D0552J | 45 | | R2 | 4 | | VK160, VL701-VL750, VL941-VL945, VM999-VM999, VN055-VN080, VN191VN210, VN291-VN300, VN651-VN656, VN676-VN680, VN731-VN790, VN811-VN820, VR401-VR401, VR426-VR426 |
| 68 | 24 | PK | D01870 | 19 | | 21-53-12 | D0552J | 45 | | R2 | 2 | | VS111 |
| 69 | 22 | PA | D01870 | 21 | | 21-53-12 | GDX0002 | D.. | 2 | R2 | 5 | | VK160, VL701-VL750, VL941-VL945, VM999-VM999, VN055-VN080, VN191VN210, VN291-VN300, VN651-VN656, VN676-VN680, VN731-VN790, VN811-VN820, VR401-VR401, VR426-VR426 |
| 69 | 22 | PA | D01870 | 21 | | 21-53-12 | GDX0002 | D.. | 2 | R2 | 2 | | VS111 |
| 69 | 22 | PA | D01870 | 21 | | 21-53-12 | GDX0002 | D.. | 2 | R2 | 3 | | VK160, VL701-VL750, VL941-VL945, VM999-VM999, VN055-VN080, VN191VN210, VN291-VN300, VN651-VN656, VN676-VN680, VN731-VN790, VN811-VN820, VR401-VR401, VR426-VR426 |
| 70 | 24 | PK | D01870 | 6 | | 21-53-12 | D0552J | 40 | | R2 | 4 | | VS111 |
| 70 | 24 | PK | D01870 | 6 | | 21-53-12 | D0552J | 40 | | R2 | 2 | | VK160, VL701-VL750, VL941-VL945, VM999-VM999, VN055-VN080, VN191VN210, VN291-VN300, VN651-VN656, VN676-VN680, VN731-VN790, VN811-VN820, VR401-VR401, VR426-VR426 |
| 70 | 24 | PK | D01870 | 6 | | 21-53-12 | D0552J | 40 | | R2 | 2 | | VS111 |
| 71 | 24 | PK | D01870 | 3 | | 21-53-12 | TB0182X | B012 | BJ | R2 | 4 | | VK160, VL701-VL750, VL941-VL945, VM999-VM999, VN055-VN080, VN191VN210, VN291-VN300, VN651-VN656, VN676-VN680, VN731-VN790, VN811-VN820, VR401-VR401, VR426-VR426 |

286T1080-302
Wire Bundle Assembly
Figure 116 (Sheet 10)

25-71-01



BOEING
COMPONENT
MAINTENANCE MANUAL

| WIRE | | | | FROM EQUIPMENT | | | | TO EQUIPMENT | | | | WIRE INFO | | | |
|--------|----|-----|--------|----------------|----|----------|---------|--------------|----|---------|----|-----------|--|--|--|
| NUMBER | GA | TYP | NUMBER | TERM | TT | WDM REF | NUMBER | TERM | TT | EMC/SEP | FT | NOTES | EFFECTIVITY | | |
| 71 | 24 | PK | D01870 | 3 | | 21-53-12 | TB0182X | B012 | BJ | R2 | 3 | | VS111 | | |
| 72 | 24 | PK | D01870 | 37 | | 21-53-12 | D05552J | 42 | | R2 | 4 | | VK160, VL701-VL750, VL941-VL945, VM999-VM999, VN055-VN080, VN191VN210, VN291-VN300, VN651-VN656, VN676-VN680, VN731-VN790, VN811-VN820, VR401-VR401, VR426-VR426 | | |
| 72 | 24 | PK | D01870 | 37 | | 21-53-12 | D05552J | 42 | | R2 | 2 | | VS111 | | |
| 73 | 24 | PK | D01870 | 36 | | 21-53-12 | D05552J | 43 | | R2 | 4 | | VK160, VL701-VL750, VL941-VL945, VM999-VM999, VN055-VN080, VN191VN210, VN291-VN300, VN651-VN656, VN676-VN680, VN731-VN790, VN811-VN820, VR401-VR401, VR426-VR426 | | |
| 73 | 24 | PK | D01870 | 36 | | 21-53-12 | D05552J | 43 | | R2 | 2 | | VS111 | | |
| 74 | 24 | PK | D01870 | 35 | | 21-53-12 | D05552J | 44 | | R2 | 4 | | VK160, VL701-VL750, VL941-VL945, VM999-VM999, VN055-VN080, VN191VN210, VN291-VN300, VN651-VN656, VN676-VN680, VN731-VN790, VN811-VN820, VR401-VR401, VR426-VR426 | | |
| 74 | 24 | PK | D01870 | 35 | | 21-53-12 | D05552J | 44 | | R2 | 2 | | VS111 | | |
| 75 | 24 | PK | D01870 | 8 | | 21-53-12 | TB0158F | A012 | 2 | R2 | 4 | | VK160, VL701-VL750, VL941-VL945, VM999-VM999, VN055-VN080, VN191VN210, VN291-VN300, VN651-VN656, VN676-VN680, VN731-VN790, VN811-VN820, VR401-VR401, VR426-VR426 | | |
| 75 | 24 | PK | D01870 | 8 | | 21-53-12 | TB0158F | A012 | 2 | R2 | 3 | | VS111 | | |
| 76 | 24 | PK | D01870 | 4 | | 21-53-12 | D05552J | 50 | | R2 | 4 | | VK160, VL701-VL750, VL941-VL945, VM999-VM999, VN055-VN080, VN191VN210, VN291-VN300, VN651-VN656, VN676-VN680, VN731-VN790, VN811-VN820, VR401-VR401, VR426-VR426 | | |
| 76 | 24 | PK | D01870 | 4 | | 21-53-12 | D05552J | 50 | | R2 | 2 | | VS111 | | |
| 76 | 24 | PK | D01870 | 4 | | 21-53-12 | D05552J | 50 | | R2 | 4 | | VK160, VL701-VL750, VL941-VL945, VM999-VM999, VN055-VN080, VN191VN210, VN291-VN300, VN651-VN656, VN676-VN680, VN731-VN790, VN811-VN820, VR401-VR401, VR426-VR426 | | |
| 77 | 24 | PK | D01870 | 10 | | 21-53-12 | D05552J | 51 | | R2 | 4 | | VS111 | | |
| 77 | 24 | PK | D01870 | 10 | | 21-53-12 | D05552J | 51 | | R2 | 2 | | VK160, VL701-VL750, VL941-VL945, VM999-VM999, VN055-VN080, VN191VN210, VN291-VN300, VN651-VN656, VN676-VN680, VN731-VN790, VN811-VN820, VR401-VR401, VR426-VR426 | | |
| 77 | 24 | PK | D01870 | 10 | | 21-53-12 | D05552J | 51 | | R2 | 2 | | VS111 | | |

286T1080-302
Wire Bundle Assembly
Figure 116 (Sheet 11)

25-71-01

TESTING & FAULT ISOLATION
01 Page 146A
Nov 01/02



COMPONENT
MAINTENANCE MANUAL

| WIRE | | | FROM EQUIPMENT | | | TO EQUIPMENT | | | WIRE INFO | | | | |
|--------|----|-----|----------------|------|----|--------------|---------|------|-----------|---------|----|-------|--|
| NUMBER | GA | TYP | NUMBER | TERM | TT | WDM REF | NUMBER | TERM | TT | EMC/SEP | FT | NOTES | EFFECTIVITY |
| 78 | 24 | PK | D01870 | 7 | | 21-53-12 | D05552J | 48 | | R2 | 4 | | VK160, VL701-VL750, VL941-VL945, VM999-VM999, VN055-VN080, VN191VN210, VN291-VN300, VN651-VN656, VN676-VN680, VN731-VN790, VN811-VN820, VR401-VR401, VR426-VR426 |
| 78 | 24 | PK | D01870 | 7 | | 21-53-12 | D05552J | 48 | | R2 | 2 | | VS111 |
| 79 | 24 | PK | D01870 | 11 | | 21-53-12 | D05552J | 49 | | R2 | 4 | | VK160, VL701-VL750, VL941-VL945, VM999-VM999, VN055-VN080, VN191VN210, VN291-VN300, VN651-VN656, VN676-VN680, VN731-VN790, VN811-VN820, VR401-VR401, VR426-VR426 |
| 79 | 24 | PK | D01870 | 11 | | 21-53-12 | D05552J | 49 | | R2 | 2 | | VS111 |
| 80 | 24 | PK | D01870 | 12 | | 21-53-12 | D05552J | 46 | | R2 | 4 | | VK160, VL701-VL750, VL941-VL945, VM999-VM999, VN055-VN080, VN191VN210, VN291-VN300, VN651-VN656, VN676-VN680, VN731-VN790, VN811-VN820, VR401-VR401, VR426-VR426 |
| 80 | 24 | PK | D01870 | 12 | | 21-53-12 | D05552J | 46 | | R2 | 2 | | VS111 |
| 81 | 24 | PK | D01870 | 9 | | 21-53-12 | D05552J | 47 | | R2 | 4 | | VK160, VL701-VL750, VL941-VL945, VM999-VM999, VN055-VN080, VN191VN210, VN291-VN300, VN651-VN656, VN676-VN680, VN731-VN790, VN811-VN820, VR401-VR401, VR426-VR426 |
| 81 | 24 | PK | D01870 | 9 | | 21-53-12 | D05552J | 47 | | R2 | 2 | | VS111 |
| 82 | 24 | PK | D01870 | 16 | | 21-53-12 | D05552J | 34 | | R2 | 4 | | VK160, VL701-VL750, VL941-VL945, VM999-VM999, VN055-VN080, VN191VN210, VN291-VN300, VN651-VN656, VN676-VN680, VN731-VN790, VN811-VN820, VR401-VR401, VR426-VR426 |
| 82 | 24 | PK | D01870 | 16 | | 21-53-12 | D05552J | 34 | | R2 | 2 | | VS111 |
| 83 | 24 | PK | D01870 | 14 | | 21-53-12 | D05552J | 35 | | R2 | 4 | | VK160, VL701-VL750, VL941-VL945, VM999-VM999, VN055-VN080, VN191VN210, VN291-VN300, VN651-VN656, VN676-VN680, VN731-VN790, VN811-VN820, VR401-VR401, VR426-VR426 |
| 83 | 24 | PK | D01870 | 14 | | 21-53-12 | D05552J | 35 | | R2 | 2 | | VS111 |
| 83 | 24 | PK | D01870 | 14 | | 21-53-12 | D05552J | 35 | | R2 | 4 | | VK160, VL701-VL750, VL941-VL945, VM999-VM999, VN055-VN080, VN191VN210, VN291-VN300, VN651-VN656, VN676-VN680, VN731-VN790, VN811-VN820, VR401-VR401, VR426-VR426 |
| 83 | 24 | PK | D01870 | 14 | | 21-53-12 | D05552J | 35 | | R2 | 2 | | VS111 |
| 84 | 24 | PK | D01870 | 15 | | 21-53-12 | D05552J | 36 | | R2 | 4 | | VK160, VL701-VL750, VL941-VL945, VM999-VM999, VN055-VN080, VN191VN210, VN291-VN300, VN651-VN656, VN676-VN680, VN731-VN790, VN811-VN820, VR401-VR401, VR426-VR426 |
| 84 | 24 | PK | D01870 | 15 | | 21-53-12 | D05552J | 36 | | R2 | 2 | | VS111 |

286T1080-302
Wire Bundle Assembly
Figure 116 (Sheet 12)

25-71-01



BOEING
COMPONENT
MAINTENANCE MANUAL

| WIRE | | | FROM EQUIPMENT | | | TO EQUIPMENT | | | WIRE INFO | | | | |
|--------|----|-----|----------------|------|----|--------------|---------|------|-----------|---------|----|-------|--|
| NUMBER | GA | TYP | NUMBER | TERM | TT | WDM REF | NUMBER | TERM | TT | EMC/SEP | FT | NOTES | EFFECTIVITY |
| 84 | 24 | PK | D01870 | 15 | | 21-53-12 | D05522J | 36 | | R2 | 2 | | VS111 |
| 85 | 24 | PK | D01870 | 13 | | 21-53-12 | D05522J | 37 | | R2 | 4 | | VK160, VL701-VL750, VL941-VL945, VM999-VM999, VN055-VN080, VN191VN210, VN291-VN300, VN651-VN656, VN676-VN680, VN731-VN790, VN811-VN820, VR401-VR401, VR426-VR426 |
| 85 | 24 | PK | D01870 | 13 | | 21-53-12 | D05522J | 37 | | R2 | 2 | | VS111 |
| 86 | 24 | PK | D01870 | 18 | | 21-53-12 | D05522J | 38 | | R2 | 4 | | VK160, VL701-VL750, VL941-VL945, VM999-VM999, VN055-VN080, VN191VN210, VN291-VN300, VN651-VN656, VN676-VN680, VN731-VN790, VN811-VN820, VR401-VR401, VR426-VR426 |
| 86 | 24 | PK | D01870 | 18 | | 21-53-12 | D05522J | 38 | | R2 | 2 | | VS111 |
| 87 | 24 | PK | D01870 | 17 | | 21-53-12 | D05522J | 39 | | R2 | 4 | | VK160, VL701-VL750, VL941-VL945, VM999-VM999, VN055-VN080, VN191VN210, VN291-VN300, VN651-VN656, VN676-VN680, VN731-VN790, VN811-VN820, VR401-VR401, VR426-VR426 |
| 87 | 24 | PK | D01870 | 17 | | 21-53-12 | D05522J | 39 | | R2 | 2 | | VS111 |
| 88 | 24 | PK | D01870 | 5 | | 21-53-12 | D05522J | 33 | | R2 | 4 | | VK160, VL701-VL750, VL941-VL945, VM999-VM999, VN055-VN080, VN191VN210, VN291-VN300, VN651-VN656, VN676-VN680, VN731-VN790, VN811-VN820, VR401-VR401, VR426-VR426 |
| 88 | 24 | PK | D01870 | 5 | | 21-53-12 | D05522J | 33 | | R2 | 2 | | VS111 |
| 89 | 24 | PV | D01872 | 19 | | 21-58-11 | TB0158F | C011 | 2 | S2 | 3 | | VK160, VL701-VL750, VL941-VL945, VM999-VM999, VN055-VN080, VN191VN210, VN291-VN300, VN651-VN656, VN676-VN680, VN731-VN790, VN811-VN820, VR401-VR401, VR426-VR426 |
| 89 | 24 | PV | D01872 | 19 | | 21-58-11 | TB0158F | C011 | 2 | S2 | 2 | | VS111 |
| 089Z | | | D01872 | DED | | 21-58-11 | TB0158F | DED | | S2 | | | |
| 90 | 22 | PA | D01872 | 41 | | 21-58-11 | GDX0002 | D.. | 2 | R2 | 4 | | VK160, VL701-VL750, VL941-VL945, VM999-VM999, VN055-VN080, VN191VN210, VN291-VN300, VN651-VN656, VN676-VN680, VN731-VN790, VN811-VN820, VR401-VR401, VR426-VR426 |
| 90 | 22 | PA | D01872 | 41 | | 21-58-11 | GDX0002 | D.. | 2 | R2 | 2 | | VS111 |

286T1080-302
Wire Bundle Assembly
Figure 116 (Sheet 13)

25-71-01

| WIRE | | | | FROM EQUIPMENT | | | | TO EQUIPMENT | | | | WIRE INFO | | | |
|--------|----|-----|--------|----------------|----------|---------|---------|--------------|----|-------|--|-----------|--|--|--|
| NUMBER | GA | TYP | NUMBER | TERM TT | WDM REF | NUMBER | TERM TT | EMC/SEP | FT | NOTES | EFFECTIVITY | | | | |
| 91 | 24 | PK | D01872 | 3 | 21-58-11 | TE0182Y | C002 | BJ | 2 | 3 | VK160, VL701-VL750, VL941-VL945, VM999-VM999, VN055-VN080, VN191VN210, VN291-VN300, VN651-VN656, VN676-VN680, VN731-VN790, VN811-VN820, VR401-VR401, VR426-VR426 | | | | |
| 91 | 24 | PK | D01872 | 3 | 21-58-11 | TE0182Y | C002 | BJ | 2 | 2 | VS111 | | | | |
| 92 | 24 | PK | D01872 | 4 | 21-58-11 | TB0158G | 2 | R2 | 3 | 3 | VM058, VM191-VN192 | | | | |
| 92 | 24 | PK | D01872 | 4 | 21-58-11 | TB0158Y | C003 | BJ | 2 | 3 | VK160, VL701-VL750, VL941-VL945, VM999-VM999, VN055-VN080, VN191VN210, VN291-VN300, VN651-VN656, VN676-VN680, VN731-VN790, VN811-VN820, VR401-VR401, VR426-VR426 | | | | |
| 92 | 24 | PK | D01872 | 4 | 21-58-11 | TB0158Y | C003 | BJ | 2 | 2 | VS111 | | | | |
| 93 | 24 | PK | D01872 | 5 | 21-58-11 | TB0182Y | A001 | BJ | 2 | 3 | VK160, VL701-VL750, VL941-VL945, VM999-VM999, VN055-VN080, VN191VN210, VN291-VN300, VN651-VN656, VN676-VN680, VN731-VN790, VN811-VN820, VR401-VR401, VR426-VR426 | | | | |
| 93 | 24 | PK | D01872 | 5 | 21-58-11 | TB0182Y | A001 | BJ | 2 | 2 | VS111 | | | | |
| 94 | 24 | PK | D01872 | 6 | 21-58-11 | TB0248X | A001 | BJ | 2 | 3 | VK160, VL701-VL750, VL941-VL945, VM999-VM999, VN055-VN080, VN191VN210, VN291-VN300, VN651-VN656, VN676-VN680, VN731-VN790, VN811-VN820, VR401-VR401, VR426-VR426 | | | | |
| 94 | 24 | PK | D01872 | 6 | 21-58-11 | TB0248X | A001 | BJ | 2 | 2 | VS111 | | | | |
| 96 | 24 | PK | D01872 | 7 | 21-58-12 | TB0182X | B028 | BJ | 2 | 4 | VK160, VL701-VL750, VL941-VL945, VM999-VM999, VN055-VN080, VN191VN210, VN291-VN300, VN651-VN656, VN676-VN680, VN731-VN790, VN811-VN820, VR401-VR401, VR426-VR426 | | | | |
| 96 | 24 | PK | D01872 | 7 | 21-58-12 | TB0182X | B028 | BJ | 2 | 2 | VS111 | | | | |
| 98 | 24 | PK | D01872 | 10 | 21-58-12 | TB0182X | A028 | BJ | 2 | 4 | VK160, VL701-VL750, VL941-VL945, VM999-VM999, VN055-VN080, VN191VN210, VN291-VN300, VN651-VN656, VN676-VN680, VN731-VN790, VN811-VN820, VR401-VR401, VR426-VR426 | | | | |
| 98 | 24 | PK | D01872 | 10 | 21-58-12 | TB0182X | A028 | BJ | 2 | 2 | VS111 | | | | |

286T1080-302
Wire Bundle Assembly
Figure 116 (Sheet 14)

25-71-01

TESTING & FAULT ISOLATION
01 Page 146D
Nov 01/02



BOEING
COMPONENT
MAINTENANCE MANUAL

| WIRE | | | | FROM EQUIPMENT | | | | TO EQUIPMENT | | | | WIRE INFO | | | |
|--------|----|-----|---------|----------------|----|----------|---------|--------------|----|---------|----|-----------|--|--|--|
| NUMBER | GA | TYP | NUMBER | TERM | TT | MDM REF | NUMBER | TERM | TT | EMC/SEP | FT | NOTES | EFFECTIVITY | | |
| 99 | 24 | PK | D01872 | 9 | | 21-58-12 | TB0182X | C028 | BJ | R2 | 4 | | VK160, VL701-VL750, VL941-VL945, VM999-VM999, VN055-VN080, VN191VN210, VN291-VN300, VN651-VN656, VN676-VN680, VN731-VN790, VN811-VN820, VR401-VR401, VR426-VR426 | | |
| 99 | 24 | PK | D01872 | 9 | | 21-58-12 | TB0182X | C028 | BJ | R2 | 2 | | VS111 | | |
| 101 | 22 | PA | D01872 | 15 | | 21-58-11 | TB0182Y | A002 | BJ | R2 | 3 | | VN056 | | |
| 101 | 22 | PA | D01872 | 15 | | 21-58-11 | TB0182X | B011 | BJ | R2 | 3 | | VK160, VL701-VL750, VL941-VL945, VM999-VM999, VN057-VN080, VN191VN210, VN291-VN300, VN651-VN656, VN676-VN680, VN731-VN790, VN811-VN820, VR401-VR401, VR426-VR426 | | |
| 101 | 22 | PA | D01872 | 15 | | 21-58-11 | TB0182X | B011 | BJ | R2 | 2 | | VS111 | | |
| 102 | 24 | PK | D01872 | 12 | | 33-16-11 | D05552J | 61 | | R2 | 3 | | VK160, VL701-VL750, VL941-VL945, VM999-VM999, VN055-VN080, VN191VN210, VN291-VN300, VN651-VN656, VN676-VN680, VN731-VN790, VN811-VN820, VR401-VR401, VR426-VR426 | | |
| 102 | 24 | PK | D01872 | 12 | | 33-16-11 | D05552J | 61 | | R2 | 1 | | VS111 | | |
| 103 | 24 | PK | D05644J | 41 | | 21-58-11 | D01872 | 20 | | R2 | 3 | | VK160, VL701-VL750, VL941-VL945, VM999-VM999, VN055-VN080, VN191VN210, VN291-VN300, VN651-VN656, VN676-VN680, VN731-VN790, VN811-VN820, VR401-VR401, VR426-VR426 | | |
| 103 | 24 | PK | D05644J | 41 | | 21-58-11 | D01872 | 20 | | R2 | 1 | | VS111 | | |
| 104R | 22 | PH | D05766J | 19 | | 26-18-22 | D01876 | 36 | | R2 | 3 | | VK160, VL701-VL750, VL941-VL945, VM999-VM999, VN055-VN080, VN191VN210, VN291-VN300, VN651-VN656, VN676-VN680, VN731-VN790, VN811-VN820, VR401-VR401, VR426-VR426 | | |
| 104R | 22 | PH | D05766J | 19 | | 26-18-22 | D01876 | 36 | | R2 | 2 | | VS111 | | |
| 105 | 22 | PA | D01872 | 21 | | 21-58-11 | GDX0002 | D.. | 2 | R2 | 4 | | VK160, VL701-VL750, VL941-VL945, VM999-VM999, VN055-VN080, VN191VN210, VN291-VN300, VN651-VN656, VN676-VN680, VN731-VN790, VN811-VN820, VR401-VR401, VR426-VR426 | | |
| 105 | 22 | PA | D01872 | 21 | | 21-58-11 | GDX0002 | D.. | 2 | R2 | 2 | | VS111 | | |

286T1080-302
Wire Bundle Assembly
Figure 116 (Sheet 15)

25-71-01

| WIRE | | | FROM EQUIPMENT | | | TO EQUIPMENT | | | WIRE INFO | | | | |
|--------|----|-----|----------------|------|----|--------------|---------|------|-----------|---------|----|-------|--|
| NUMBER | GA | TYP | NUMBER | TERM | TT | WDM REF | NUMBER | TERM | TT | EMC/SEP | FT | NOTES | EFFECTIVITY |
| 106R | 22 | PH | D05766J | 20 | | 26-18-22 | D01876 | 57 | | R2 | 3 | | VK160, VL701-VL750, VL941-VL945, VM999-VM999, VN055-VN080, VN191VN210, VN291-VN300, VN651-VN656, VN676-VN680, VN731-VN790, VN811-VN820, VR401-VR401, VR426-VR426 |
| 106R | 22 | PH | D05766J | 20 | | 26-18-22 | D01876 | 57 | | R2 | 2 | | VS111 |
| 107 | 24 | PK | D01872 | 14 | | 21-58-11 | D05644J | 28 | | R2 | 3 | | VK160, VL701-VL750, VL941-VL945, VM999-VM999, VN055-VN080, VN191VN210, VN291-VN300, VN651-VN656, VN676-VN680, VN731-VN790, VN811-VN820, VR401-VR401, VR426-VR426 |
| 107 | 24 | PK | D01872 | 14 | | 21-58-11 | D05644J | 28 | | R2 | 1 | | VS111 |
| 108R | 22 | PH | SP03260 | | S | 26-18-22 | D01876 | 6 | | R2 | 3 | | VK160, VL701-VL750, VL941-VL945, VM999-VM999, VN055-VN080, VN191VN210, VN291-VN300, VN651-VN656, VN676-VN680, VN731-VN790, VN811-VN820, VR401-VR401, VR426-VR426 |
| 108R | 22 | PH | SP03260 | | S | 26-18-22 | D01876 | 6 | | R2 | 1 | | VS111 |
| 109 | 22 | PA | D01872 | 17 | | 21-58-11 | TB0158F | A011 | 2 | R2 | 3 | | VK160, VL701-VL750, VL941-VL945, VM999-VM999, VN055-VN080, VN191VN210, VN291-VN300, VN651-VN656, VN676-VN680, VN731-VN790, VN811-VN820, VR401-VR401, VR426-VR426 |
| 109 | 22 | PA | D01872 | 17 | | 21-58-11 | TB0158F | A011 | 2 | R2 | 2 | | VS111 |
| 111 | 22 | PA | TB0182Y | A002 | BJ | 21-58-11 | D05644J | 24 | | R2 | 3 | | VK160, VL701-VL750, VL941-VL945, VM999-VM999, VN055-VN080, VN191VN210, VN291-VN300, VN651-VN656, VN676-VN680, VN731-VN790, VN811-VN820, VR401-VR401, VR426-VR426 |
| 111 | 22 | PA | TB0182Y | A002 | BJ | 21-58-11 | D05644J | 24 | | R2 | 2 | | VS111 |
| 114 | 22 | PA | D01876 | 60 | | 36-11-52 | SM00002 | | W | R2 | 3 | | VK160, VL701-VL750, VL941-VL945, VM999-VM999, VN055-VN080, VN191VN210, VN291-VN300, VN651-VN656, VN676-VN680, VN731-VN790, VN811-VN820, VR401-VR401, VR426-VR426 |
| 114 | 22 | PA | D01876 | 60 | | 36-11-52 | SM00002 | | W | R2 | 1 | | VS111 |
| 116 | 22 | PA | D01876 | 40 | | 36-11-52 | D05766J | 14 | | R2 | 3 | | VK160, VL701-VL750, VL941-VL945, VM999-VM999, VN055-VN080, VN191VN210, VN291-VN300, VN651-VN656, VN676-VN680, VN731-VN790, VN811-VN820, VR401-VR401, VR426-VR426 |

286T1080-302
Wire Bundle Assembly
Figure 116 (Sheet 16)

25-71-01



BOEING
COMPONENT
MAINTENANCE MANUAL

| WIRE | | FROM EQUIPMENT | | | TO EQUIPMENT | | | WIRE INFO | | | | | |
|--------|----|----------------|---------|------|--------------|----------|---------|-----------|----|---------|----|-------|--|
| NUMBER | GA | TYP | NUMBER | TERM | TT | WDM REF | NUMBER | TERM | TT | EMC/SEP | FT | NOTES | EFFECTIVITY |
| 116 | 22 | PA | D01876 | 40 | | 36-11-52 | D05766J | 14 | | R2 | 2 | | VS111 |
| 119 | 24 | PK | D01876 | 55 | | 36-11-52 | SM00001 | | W | R2 | 3 | | VK160, VL701-VL750, VL941-VL945, VM999-VM999, VN055-VN080, VN191VN210, VN291-VN300, VN651-VN656, VN676-VN680, VN731-VN790, VN811-VN820, VR401-VR401, VR426-VR426 |
| 119 | 24 | PK | D01876 | 55 | | 36-11-52 | SM00001 | | W | R2 | 1 | | VS111 |
| 120 | 24 | PK | D01876 | 5 | | 36-11-52 | TE0248X | A011 | BJ | R2 | 4 | | VK160, VL701-VL750, VL941-VL945, VM999-VM999, VN055-VN080, VN191VN210, VN291-VN300, VN651-VN656, VN676-VN680, VN731-VN790, VN811-VN820, VR401-VR401, VR426-VR426 |
| 120 | 24 | PK | D01876 | 5 | | 36-11-52 | TE0248X | A011 | BJ | R2 | 3 | | VS111 |
| 121 | 24 | PK | D01876 | 20 | | 36-11-52 | D05644J | 35 | | R2 | 3 | | VK160, VL701-VL750, VL941-VL945, VM999-VM999, VN055-VN080, VN191VN210, VN291-VN300, VN651-VN656, VN676-VN680, VN731-VN790, VN811-VN820, VR401-VR401, VR426-VR426 |
| 121 | 24 | PK | D01876 | 20 | | 36-11-52 | D05644J | 35 | | R2 | 2 | | VS111 |
| 122 | 22 | PA | D01876 | 35 | | 36-11-52 | D05644J | 36 | | R2 | 3 | | VK160, VL701-VL750, VL941-VL945, VM999-VM999, VN055-VN080, VN191VN210, VN291-VN300, VN651-VN656, VN676-VN680, VN731-VN790, VN811-VN820, VR401-VR401, VR426-VR426 |
| 122 | 22 | PA | D01876 | 35 | | 36-11-52 | D05644J | 36 | | R2 | 2 | | VS111 |
| 123 | 24 | PK | D01876 | 53 | | 36-11-52 | TE0158Y | A007 | BJ | R2 | 4 | | VK160, VL701-VL750, VL941-VL945, VM999-VM999, VN055-VN080, VN191VN210, VN291-VN300, VN651-VN656, VN676-VN680, VN731-VN790, VN811-VN820, VR401-VR401, VR426-VR426 |
| 123 | 24 | PK | D01876 | 53 | | 36-11-52 | TE0158Y | A007 | BJ | R2 | 3 | | VS111 |
| 124 | 24 | PK | D05552J | 3 | | 21-25-21 | D01874 | 25 | | R2 | 4 | | VK160, VL701-VL750, VL941-VL945, VM999-VM999, VN055-VN080, VN191VN210, VN291-VN300, VN651-VN656, VN676-VN680, VN731-VN790, VN811-VN820, VR401-VR401, VR426-VR426 |
| 124 | 24 | PK | D05552J | 3 | | 21-25-21 | D01874 | 25 | | R2 | 2 | | VS111 |

286T1080-302
Wire Bundle Assembly
Figure 116 (Sheet 17)

25-71-01



COMPONENT
MAINTENANCE MANUAL

| WIRE | | | FROM EQUIPMENT | | | | TO EQUIPMENT | | | | WIRE INFO | | |
|--------|----|-----|----------------|------|----|----------|--------------|------|----|---------|-----------|-------|--|
| NUMBER | GA | TYP | NUMBER | TERM | TT | WDM REF | NUMBER | TERM | TT | EMC/SEP | FT | NOTES | EFFECTIVITY |
| 126 | 24 | PK | D01876 | 52 | | 36-11-52 | D05644J | 37 | | R2 | 3 | | VK160, VL701-VL750, VL941-VL945, VM999-VM999, VN055-VN080, VN191VN210, VN291-VN300, VN651-VN656, VN676-VN680, VN731-VN790, VN811-VN820, VR401-VR401, VR426-VR426 |
| 126 | 24 | PK | D01876 | 52 | | 36-11-52 | D05644J | 37 | | R2 | 2 | | VS111 |
| 128 | 24 | PK | D01876 | 37 | | 36-11-62 | TE0248X | B011 | BJ | R2 | 4 | | VK160, VL701-VL750, VL941-VL945, VM999-VM999, VN055-VN080, VN191VN210, VN291-VN300, VN651-VN656, VN676-VN680, VN731-VN790, VN811-VN820, VR401-VR401, VR426-VR426 |
| 128 | 24 | PK | D01876 | 37 | | 36-11-62 | TE0248X | B011 | BJ | R2 | 3 | | VS111 |
| 129 | 22 | PA | D01876 | 2 | | 36-22-11 | D05644J | 38 | | R2 | 3 | | VK160, VL701-VL750, VL941-VL945, VM999-VM999, VN055-VN080, VN191VN210, VN291-VN300, VN651-VN656, VN676-VN680, VN731-VN790, VN811-VN820, VR401-VR401, VR426-VR426 |
| 129 | 22 | PA | D01876 | 2 | | 36-22-11 | D05644J | 38 | | R2 | 2 | | VS111 |
| 130 | 24 | PK | D01876 | 1 | | 36-11-62 | D05766J | 7 | | R2 | 3 | | VK160, VL701-VL750, VL941-VL945, VM999-VM999, VN055-VN080, VN191VN210, VN291-VN300, VN651-VN656, VN676-VN680, VN731-VN790, VN811-VN820, VR401-VR401, VR426-VR426 |
| 130 | 24 | PK | D01876 | 1 | | 36-11-62 | D05766J | 7 | | R2 | 2 | | VS111 |
| 131 | 22 | PA | D01876 | 56 | | 36-11-62 | D05766J | 10 | | R2 | 3 | | VK160, VL701-VL750, VL941-VL945, VM999-VM999, VN055-VN080, VN191VN210, VN291-VN300, VN651-VN656, VN676-VN680, VN731-VN790, VN811-VN820, VR401-VR401, VR426-VR426 |
| 131 | 22 | PA | D01876 | 56 | | 36-11-62 | D05766J | 10 | | R2 | 2 | | VS111 |
| 132 | 22 | PA | D05644J | 29 | | 36-22-11 | TE0248Y | C009 | BJ | R2 | 3 | | VK160, VL701-VL750, VL941-VL945, VM999-VM999, VN055-VN080, VN191VN210, VN291-VN300, VN651-VN656, VN676-VN680, VN731-VN790, VN811-VN820, VR401-VR401, VR426-VR426 |
| 132 | 22 | PA | D05644J | 29 | | 36-22-11 | TE0248Y | C009 | BJ | R2 | 2 | | VS111 |
| 135 | 22 | PA | D01876 | 31 | | 36-11-62 | D05766J | 8 | | R2 | 3 | | VK160, VL701-VL750, VL941-VL945, VM999-VM999, VN055-VN080, VN191VN210, VN291-VN300, VN651-VN656, VN676-VN680, VN731-VN790, VN811-VN820, VR401-VR401, VR426-VR426 |
| 135 | 22 | PA | D01876 | 31 | | 36-11-62 | D05766J | 8 | | R2 | 2 | | VS111 |

286T1080-302
Wire Bundle Assembly
Figure 116 (Sheet 18)

25-71-01



BOEING
COMPONENT
MAINTENANCE MANUAL

| WIRE | | | FROM EQUIPMENT | | | TO EQUIPMENT | | | WIRE INFO | | | | |
|--------|----|-----|----------------|------|----|--------------|---------|------|-----------|---------|----|--|-------------|
| NUMBER | GA | TYP | NUMBER | TERM | TT | WDM REF | NUMBER | TERM | TT | EMC/SEP | FT | NOTES | EFFECTIVITY |
| 135 | 22 | PA | D01876 | 31 | | 36-11-62 | D05766J | 8 | | R2 | 2 | VS111 | |
| 136 | 24 | PK | D01876 | 58 | | 36-11-62 | D05766J | 9 | | R2 | 3 | VK160, VL701-VL750, VL941-VL945, VM999-VM999, VN055-VN080, VN191VN210, VN291-VN300, VN651-VN656, VN676-VN680, VN731-VN790, VN811-VN820, VR401-VR401, VR426-VR426 | |
| 136 | 24 | PK | D01876 | 58 | | 36-11-62 | D05766J | 9 | | R2 | 2 | VS111 | |
| 137 | 24 | PK | D01876 | 28 | | 36-11-62 | D05766J | 11 | | R2 | 3 | VK160, VL701-VL750, VL941-VL945, VM999-VM999, VN055-VN080, VN191VN210, VN291-VN300, VN651-VN656, VN676-VN680, VN731-VN790, VN811-VN820, VR401-VR401, VR426-VR426 | |
| 137 | 24 | PK | D01876 | 28 | | 36-11-62 | D05766J | 11 | | R2 | 2 | VS111 | |
| 139 | 24 | PK | TB0158Y | A007 | BJ | 36-11-52 | D05766J | 1 | | R2 | 3 | VK160, VL701-VL750, VL941-VL945, VM999-VM999, VN055-VN080, VN191VN210, VN291-VN300, VN651-VN656, VN676-VN680, VN731-VN790, VN811-VN820, VR401-VR401, VR426-VR426 | |
| 139 | 24 | PK | TB0158Y | A007 | BJ | 36-11-52 | D05766J | 1 | | R2 | 2 | VS111 | |
| 140 | 24 | PK | TB0158Y | A007 | BJ | 36-11-52 | D05766J | 4 | | R2 | 3 | VK160, VL701-VL750, VL941-VL945, VM999-VM999, VN055-VN080, VN191VN210, VN291-VN300, VN651-VN656, VN676-VN680, VN731-VN790, VN811-VN820, VR401-VR401, VR426-VR426 | |
| 140 | 24 | PK | TB0158Y | A007 | BJ | 36-11-52 | D05766J | 4 | | R2 | 2 | VS111 | |
| 141 | 22 | PA | SM00007 | | W | 36-11-62 | D05766J | 6 | | R2 | 2 | VK160, VL701-VL750, VL941-VL945, VM999-VM999, VN055-VN080, VN191VN210, VN291-VN300, VN651-VN656, VN676-VN680, VN731-VN790, VN811-VN820, VR401-VR401, VR426-VR426 | |
| 141 | 22 | PA | SM00007 | | W | 36-11-62 | D05766J | 6 | | R2 | 2 | VS111 | |
| 141 | 22 | PA | SM00007 | | W | 36-11-62 | D05766J | 6 | | R2 | 2 | VK160, VL701-VL750, VL941-VL945, VM999-VM999, VN055-VN080, VN191VN210, VN291-VN300, VN651-VN656, VN676-VN680, VN731-VN790, VN811-VN820, VR401-VR401, VR426-VR426 | |
| 141 | 22 | PA | SM00007 | | W | 36-11-62 | D05766J | 6 | | R2 | 2 | VS111 | |
| 143 | 24 | PK | TB0158G | 4 | 2 | 21-51-21 | D05552J | 9 | | R2 | 3 | VN0558, VN191-VN192 | |
| 143 | 24 | PK | TB0158Y | C004 | BJ | 21-51-21 | D05552J | 9 | | R2 | 3 | VK160, VL701-VL750, VL941-VL945, VM999-VM999, VN055-VN080, VN193VN210, VN291-VN300, VN651-VN656, VN676-VN680, VN731-VN790, VN811-VN820, VR401-VR401, VR426-VR426 | |
| 143 | 24 | PK | TB0158Y | C004 | BJ | 21-51-21 | D05552J | 9 | | R2 | 2 | VS111 | |

286T1080-302
Wire Bundle Assembly
Figure 116 (Sheet 19)

25-71-01



COMPONENT
MAINTENANCE MANUAL

| WIRE | | | FROM EQUIPMENT | | | | TO EQUIPMENT | | | | WIRE INFO | | | |
|--------|----|-----|----------------|---------|----------|---------|--------------|---------|----|-------|--|--|--|--|
| NUMBER | GA | TYP | NUMBER | TERM TT | WDM REF | NUMBER | TERM TT | EMC/SEP | FT | NOTES | EFFECTIVITY | | | |
| 144 | 24 | PK | D05766J | 21 | 36-11-62 | D01876 | 47 | R2 | 3 | | VK160, VL701-VL750, VL941-VL945, VM999-VM999, VN055-VN080, VN191VN210, VN291-VN300, VN651-VN656, VN676-VN680, VN731-VN790, VN811-VN820, VR401-VR401, VR426-VR426 | | | |
| 144 | 24 | PK | D05766J | 21 | 36-11-62 | D01876 | 47 | R2 | 2 | | VS111 | | | |
| 145 | 24 | PK | D05766J | 22 | 36-11-62 | D01876 | 18 | R2 | 3 | | VK160, VL701-VL750, VL941-VL945, VM999-VM999, VN055-VN080, VN191VN210, VN291-VN300, VN651-VN656, VN676-VN680, VN731-VN790, VN811-VN820, VR401-VR401, VR426-VR426 | | | |
| 145 | 24 | PK | D05766J | 22 | 36-11-62 | D01876 | 18 | R2 | 2 | | VS111 | | | |
| 147 | 24 | PK | D02676 | 22 | 22-12-21 | D04887J | 6 | R2 | 3 | | VK160, VL701-VL750, VL941-VL945, VM999-VM999, VN055-VN080, VN191VN210, VN291-VN300, VN651-VN656, VN676-VN680, VN731-VN790, VN811-VN820, VR401-VR401, VR426-VR426 | | | |
| 147 | 24 | PK | D02676 | 22 | 22-12-21 | D04887J | 6 | R2 | 1 | | VS111 | | | |
| 148 | 24 | PK | D02676 | 23 | 22-12-21 | D04887J | 7 | R2 | 3 | | VK160, VL701-VL750, VL941-VL945, VM999-VM999, VN055-VN080, VN191VN210, VN291-VN300, VN651-VN656, VN676-VN680, VN731-VN790, VN811-VN820, VR401-VR401, VR426-VR426 | | | |
| 148 | 24 | PK | D02676 | 23 | 22-12-21 | D04887J | 7 | R2 | 1 | | VS111 | | | |
| 150 | 22 | PA | D02676 | 8 | 27-58-21 | GDX0002 | A.. | R2 | 4 | | VK160, VL701-VL750, VL941-VL945, VM999-VM999, VN055-VN080, VN191VN210, VN291-VN300, VN651-VN656, VN676-VN680, VN731-VN790, VN811-VN820, VR401-VR401, VR426-VR426 | | | |
| 150 | 22 | PA | D02676 | 8 | 27-58-21 | GDX0002 | A.. | R2 | 2 | | VS111 | | | |
| 152 | 24 | PK | D02676 | 7 | 27-58-21 | D08032J | 2 | R2 | 3 | | VK160, VL701-VL750, VL941-VL945, VM999-VM999, VN055-VN080, VN191VN210, VN291-VN300, VN651-VN656, VN676-VN680, VN731-VN790, VN811-VN820, VR401-VR401, VR426-VR426 | | | |
| 152 | 24 | PK | D02676 | 7 | 27-58-21 | D08032J | 2 | R2 | 2 | | VS111 | | | |
| 154 | 22 | PA | D05766J | 23 | 36-11-62 | D01876 | 27 | R2 | 3 | | VK160, VL701-VL750, VL941-VL945, VM999-VM999, VN055-VN080, VN191VN210, VN291-VN300, VN651-VN656, VN676-VN680, VN731-VN790, VN811-VN820, VR401-VR401, VR426-VR426 | | | |

286T1080-302
Wire Bundle Assembly
Figure 116 (Sheet 20)

25-71-01



BOEING
COMPONENT
MAINTENANCE MANUAL

| WIRE | | | | FROM EQUIPMENT | | | | TO EQUIPMENT | | | | WIRE INFO | | | |
|--------|----|-----|----------|----------------|---------|---------|----------|--------------|---------|---------|----|-----------|--|--|--|
| NUMBER | GA | TYP | WDM REF | TERM TT | NUMBER | TERM TT | WDM REF | NUMBER | TERM TT | EMC/SEP | FT | NOTES | EFFECTIVITY | | |
| 154 | 22 | PA | 36-11-62 | 23 | D05766J | | | D01876 | 27 | R2 | 2 | | VS111 | | |
| 155 | 24 | PK | 22-12-21 | 38 | D02676 | | | D04887J | 8 | R2 | 3 | | VK160, VL701-VL750, VL941-VL945, VM999-VM999, VN055-VN080, VN191VN210, VN291-VN300, VN651-VN656, VN676-VN680, VN731-VN790, VN811-VN820, VR401-VR401, VR426-VR426 | | |
| 155 | 24 | PK | 22-12-21 | 38 | D02676 | | | D04887J | 8 | R2 | 1 | | VS111 | | |
| 156 | 24 | PK | 22-12-21 | 39 | D02676 | | | D04887J | 9 | R2 | 3 | | VK160, VL701-VL750, VL941-VL945, VM999-VM999, VN055-VN080, VN191VN210, VN291-VN300, VN651-VN656, VN676-VN680, VN731-VN790, VN811-VN820, VR401-VR401, VR426-VR426 | | |
| 156 | 24 | PK | 22-12-21 | 39 | D02676 | | | D04887J | 9 | R2 | 1 | | VS111 | | |
| 160 | 22 | PA | 73-21-19 | A021 | TB0248D | 2 | 73-21-19 | D08032J | 34 | R2 | 3 | | VK160, VL701-VL750, VL941-VL945, VM999-VM999, VN055-VN080, VN191VN210, VN291-VN300, VN651-VN656, VN676-VN680, VN731-VN790, VN811-VN820, VR401-VR401, VR426-VR426 | | |
| 160 | 22 | PA | 73-21-19 | A021 | TB0248D | 2 | 73-21-19 | D08032J | 34 | R2 | 2 | | VS111 | | |
| 161 | 22 | PA | 73-21-19 | C014 | TB0248Y | BJ | 73-21-19 | D08032J | 33 | R2 | 3 | | VK160, VL701-VL750, VL941-VL945, VM999-VM999, VN055-VN080, VN191VN210, VN291-VN300, VN651-VN656, VN676-VN680, VN731-VN790, VN811-VN820, VR401-VR401, VR426-VR426 | | |
| 161 | 22 | PA | 73-21-19 | C014 | TB0248Y | BJ | 73-21-19 | D08032J | 33 | R2 | 2 | | VS111 | | |
| 163 | 22 | PA | 73-21-19 | B016 | TB0182X | BJ | 73-21-19 | D08032J | 32 | R2 | 3 | | VK160, VL701-VL750, VL941-VL945, VM999-VM999, VN055-VN080, VN191VN210, VN291-VN300, VN651-VN656, VN676-VN680, VN731-VN790, VN811-VN820, VR401-VR401, VR426-VR426 | | |
| 163 | 22 | PA | 73-21-19 | B016 | TB0182X | BJ | 73-21-19 | D08032J | 32 | R2 | 2 | | VS111 | | |
| 163 | 22 | PA | 73-21-19 | B016 | TB0182X | BJ | 73-21-19 | D08032J | 32 | R2 | 3 | | VK160, VL701-VL750, VL941-VL945, VM999-VM999, VN055-VN080, VN191VN210, VN291-VN300, VN651-VN656, VN676-VN680, VN731-VN790, VN811-VN820, VR401-VR401, VR426-VR426 | | |
| 166 | 24 | PV | 73-21-16 | 11 | D08032J | | | B015 | BJ | R2 | 3 | | VS111 | | |
| 166 | 24 | PK | 73-21-16 | B015 | TB0182X | BJ | 73-21-16 | D08032J | 11 | R2 | 3 | | VN656 | | |
| 166Z | | | 73-21-16 | 5 | D08032J | | | C015 | BJ | R2 | 3 | | VN680 | | |
| 167 | 24 | PK | 22-32-13 | 15 | D04887J | | | D016 | BJ | R2 | 3 | | VN656 | | |
| 167 | 24 | PK | 22-32-13 | 15 | D04887J | | | D016 | BJ | R2 | 3 | | VK160, VL701-VL750, VL941-VL945, VM999-VM999, VN055-VN080, VN191VN210, VN291-VN300, VN651-VN656, VN676-VN680, VN731-VN790, VN811-VN820, VR401-VR401, VR426-VR426 | | |
| 167 | 24 | PK | 22-32-13 | 15 | D04887J | | | D016 | BJ | R2 | 2 | | VS111 | | |

286T1080-302
Wire Bundle Assembly
Figure 116 (Sheet 21)

25-71-01

| WIRE | | FROM EQUIPMENT | | | | TO EQUIPMENT | | | | WIRE INFO | | | |
|--------|----|----------------|---------|------|----|--------------|---------|------|----|-----------|----|-------|--|
| NUMBER | GA | TYP | NUMBER | TERM | TT | WDM REF | NUMBER | TERM | TT | EMC/SEP | FT | NOTES | EFFECTIVITY |
| 174 | 24 | PK | D04887J | 14 | | 22-32-13 | TB0182X | D017 | BJ | R2 | 3 | | VK160, VL701-VL750, VL941-VL945, VM999-VM999, VN055-VN080, VN191VN210, VN291-VN300, VN651-VN656, VN676-VN680, VN731-VN790, VN811-VN820, VR401-VR401, VR426-VR426 |
| 174 | 24 | PK | D04887J | 14 | | 22-32-13 | TB0182X | D017 | BJ | R2 | 2 | | VS111 |
| 176 | 24 | PK | D04887J | 18 | | 22-32-13 | TB0182X | C017 | BJ | R2 | 3 | | VK160, VL701-VL750, VL941-VL945, VM999-VM999, VN055-VN080, VN191VN210, VN291-VN300, VN651-VN656, VN676-VN680, VN731-VN790, VN811-VN820, VR401-VR401, VR426-VR426 |
| 176 | 24 | PK | D04887J | 18 | | 22-32-13 | TB0182X | C017 | BJ | R2 | 2 | | VS111 |
| 177 | 22 | PA | TB0182X | A011 | BJ | 73-21-19 | D08032J | 19 | | R2 | 3 | | VK160, VL701-VL750, VL941-VL945, VM999-VM999, VN055-VN080, VN191VN210, VN651-VN656, VN731-VN790, VN811-VN820, VR401-VR401, VR426-VR426 |
| 177 | 22 | PA | TB0182X | A011 | BJ | 73-21-19 | D08032J | 19 | | R2 | 2 | | VN680 |
| 178 | 24 | PK | D08032J | 6 | | 73-21-16 | D08032J | 35 | | R2 | 3 | | VS111 |
| 178 | 24 | PK | TB0182X | D015 | BJ | 73-21-16 | D08032J | 35 | | R2 | 2 | | VN656 |
| 179 | 24 | PV | D08032J | 9 | | 73-21-15 | TB0248Y | A007 | BJ | R2 | 3 | | VN680 |
| 179 | 24 | PK | TB0182G | 24 | 2 | 73-21-15 | D08032J | 9 | | R2 | 3 | | VN656 |
| 179Z | 24 | PK | D08032J | 12 | | 73-21-15 | TB0248Y | A008 | BJ | R2 | 3 | | VN055-VN080, VN191VN210, VN291-VN300, VN651-VN656, VN676-VN680, VN731-VN790, VN811-VN820, VR401-VR401, VR426-VR426 |
| 181 | 24 | PK | D08032J | 6 | | 73-21-18 | TB0182X | B008 | BJ | R2 | 3 | | VS111 |
| 181 | 24 | PK | D08032J | 6 | | 73-21-18 | TB0182X | B008 | BJ | R2 | 2 | | VN656 |
| 183 | 24 | PK | TB0182Y | C005 | BJ | 73-21-15 | D08032J | 17 | | R2 | 3 | | VK160, VL701-VL750, VL941-VL945, VM999-VM999, VN055-VN080, VN191VN210, VN291-VN300, VN651-VN656, VN676-VN680, VN731-VN790, VN811-VN820, VR401-VR401, VR426-VR426 |
| 183 | 24 | PK | TB0182Y | C005 | BJ | 73-21-15 | D08032J | 17 | | R2 | 2 | | VS111 |

286T1080-302
Wire Bundle Assembly
Figure 116 (Sheet 22)

25-71-01



BOEING
COMPONENT
MAINTENANCE MANUAL

| WIRE | | | FROM EQUIPMENT | | | | TO EQUIPMENT | | | | WIRE INFO | | | |
|--------|----|-----|----------------|------|----|----------|--------------|------|----|---------|-----------|-------|--|--|
| NUMBER | GA | TYP | NUMBER | TERM | TT | WDM REF | NUMBER | TERM | TT | EMC/SEP | FT | NOTES | EFFECTIVITY | |
| 184 | 24 | PK | TB0158F | C026 | 2 | 22-32-13 | D04887J | 11 | | R2 | 3 | | VK160, VL701-VL750, VL941-VL945, VM999-VM999, VN055-VN080, VN191VN210, VN291-VN300, VN651-VN656, VN676-VN680, VN731-VN790, VN811-VN820, VR401-VR401, VR426-VR426 | |
| 184 | 24 | PK | TB0158F | C026 | 2 | 22-32-13 | D04887J | 11 | | R2 | 2 | | VS111 | |
| 185 | 24 | PK | TB0158F | A026 | 2 | 22-32-13 | D04887J | 12 | | R2 | 3 | | VK160, VL701-VL750, VL941-VL945, VM999-VM999, VN055-VN080, VN191VN210, VN291-VN300, VN651-VN656, VN676-VN680, VN731-VN790, VN811-VN820, VR401-VR401, VR426-VR426 | |
| 185 | 24 | PK | TB0158F | A026 | 2 | 22-32-13 | D04887J | 12 | | R2 | 2 | | VS111 | |
| 192 | 22 | PA | D05766J | 24 | | 36-11-62 | D01876 | 61 | | R2 | 3 | | VK160, VL701-VL750, VL941-VL945, VM999-VM999, VN055-VN080, VN191VN210, VN291-VN300, VN651-VN656, VN676-VN680, VN731-VN790, VN811-VN820, VR401-VR401, VR426-VR426 | |
| 192 | 22 | PA | D05766J | 24 | | 36-11-62 | D01876 | 61 | | R2 | 2 | | VS111 | |
| 195 | 24 | PK | D04887J | 17 | | 22-32-13 | TB0182X | B017 | BJ | R2 | 3 | | VK160, VL701-VL750, VL941-VL945, VM999-VM999, VN055-VN080, VN191VN210, VN291-VN300, VN651-VN656, VN676-VN680, VN731-VN790, VN811-VN820, VR401-VR401, VR426-VR426 | |
| 195 | 24 | PK | D04887J | 17 | | 22-32-13 | TB0182X | B017 | BJ | R2 | 2 | | VS111 | |
| 197 | 24 | PK | D04887J | 16 | | 22-32-13 | TB0182X | A017 | BJ | R2 | 3 | | VK160, VL701-VL750, VL941-VL945, VM999-VM999, VN055-VN080, VN191VN210, VN291-VN300, VN651-VN656, VN676-VN680, VN731-VN790, VN811-VN820, VR401-VR401, VR426-VR426 | |
| 197 | 24 | PK | D04887J | 16 | | 22-32-13 | TB0182X | A017 | BJ | R2 | 2 | | VS111 | |
| 197 | 24 | PK | D04887J | 16 | | 22-32-13 | TB0182X | A017 | BJ | R2 | 3 | | VK160, VL701-VL750, VL941-VL945, VM999-VM999, VN055-VN080, VN191VN210, VN291-VN300, VN651-VN656, VN676-VN680, VN731-VN790, VN811-VN820, VR401-VR401, VR426-VR426 | |
| 197 | 24 | PK | D04887J | 16 | | 22-32-13 | TB0182X | A017 | BJ | R2 | 2 | | VS111 | |
| 199 | 24 | PV | D08032J | 8 | | 73-21-15 | TB0182X | C014 | BJ | R2 | 3 | | VN656 | |
| 199 | 24 | PK | TB0182X | C014 | BJ | 73-21-15 | D08032J | 8 | | R2 | 3 | | | |
| 199 | 24 | PK | TB0182Y | A014 | BJ | 73-21-15 | D08032J | 8 | | R2 | 3 | | | |
| 199Z | | | D08032J | 10 | | 73-21-15 | TB0182X | C013 | BJ | R2 | 3 | | VN656 | |
| 200 | 24 | PK | TB0248X | A006 | BJ | 36-11-62 | D01876 | 65 | | R2 | 3 | | | |
| 201B | 24 | PL | D02676 | 17 | | 27-51-11 | D08032J | 25 | | R2 | 3 | | VK160, VL701-VL750, VL941-VL945, VM999-VM999, VN055-VN080, VN191VN210, VN291-VN300, VN651-VN656, VN676-VN680, VN731-VN790, VN811-VN820, VR401-VR401, VR426-VR426 | |

286T1080-302
Wire Bundle Assembly
Figure 116 (Sheet 23)

25-71-01

| WIRE | | | FROM EQUIPMENT | | | | TO EQUIPMENT | | | | WIRE INFO | | | |
|--------|----|-----|----------------|------|----|----------|--------------|------|----|---------|-----------|-------|---|--|
| NUMBER | GA | TYP | NUMBER | TERM | TT | WDM REF | NUMBER | TERM | TT | EMC/SEP | FT | NOTES | EFFECTIVITY | |
| 201B | 24 | PL | D02676 | 17 | | 27-51-11 | D08032J | 25 | | R2 | 2 | | VS111 | |
| 201R | 24 | PL | D02676 | 18 | | 27-51-11 | D08032J | 26 | | R2 | 3 | | VK160, VL701-VL750, VL941-VL945, VM999-VM999, VN055-VN080, VN191VN210, VN291-VN300, VN651-VN656, VN676-VN680, VN731-VN790, VN811-VN820, VR401-VR426-VR426 | |
| 202B | 24 | PL | D02676 | 9 | | 27-58-21 | D08032J | 20 | | R2 | 2 | | VS111 | |
| 202B | 24 | PL | D02676 | 9 | | 27-58-21 | D08032J | 20 | | R2 | 2 | | VS111 | |
| 202R | 24 | PL | D02676 | 10 | | 27-58-21 | D08032J | 21 | | R2 | 3 | | VK160, VL701-VL750, VL941-VL945, VM999-VM999, VN055-VN080, VN191VN210, VN291-VN300, VN651-VN656, VN676-VN680, VN731-VN790, VN811-VN820, VR401-VR426-VR426 | |
| 203B | 22 | PB | D02676 | 41 | | 27-41-21 | D04887J | 5 | | R2 | 1 | | VS111 | |
| 203B | 22 | PB | D02676 | 41 | | 27-41-21 | D04887J | 5 | | R2 | 1 | | VS111 | |
| 203R | 22 | PB | D02676 | 40 | | 27-41-21 | D04887J | 4 | | R2 | 3 | | VK160, VL701-VL750, VL941-VL945, VM999-VM999, VN055-VN080, VN191VN210, VN291-VN300, VN651-VN656, VN676-VN680, VN731-VN790, VN811-VN820, VR401-VR426-VR426 | |
| 206B | 24 | PL | D02676 | 35 | | 27-58-21 | D04887J | 30 | | R2 | 3 | | VS111 | |
| 206B | 24 | PL | D02676 | 35 | | 27-58-21 | D04887J | 30 | | R2 | 1 | | VS111 | |
| 206R | 24 | PL | D02676 | 31 | | 27-58-21 | D04887J | 31 | | R2 | 3 | | VK160, VL701-VL750, VL941-VL945, VM999-VM999, VN055-VN080, VN191VN210, VN291-VN300, VN651-VN656, VN676-VN680, VN731-VN790, VN811-VN820, VR401-VR426-VR426 | |
| 207B | 24 | PL | D02676 | 21 | | 27-32-21 | D04887J | 29 | | R2 | 3 | | VS111 | |
| 207B | 24 | PL | D02676 | 21 | | 27-32-21 | D04887J | 29 | | R2 | 1 | | VS111 | |
| 207R | 24 | PL | D02676 | 19 | | 27-32-21 | D04887J | 28 | | R2 | 3 | | VK160, VL701-VL750, VL941-VL945, VM999-VM999, VN055-VN080, VN191VN210, VN291-VN300, VN651-VN656, VN676-VN680, VN731-VN790, VN811-VN820, VR401-VR426-VR426 | |
| 211B | 24 | PW | D08032J | 50 | | 77-12-12 | TEB0182X | D007 | BJ | R2 | 2 | | VS111 | |
| 211B | 24 | PW | D08032J | 50 | | 77-12-12 | TEB0182X | D007 | BJ | R2 | 2 | | VS111 | |
| 211R | 24 | PW | D08032J | 47 | | 77-12-12 | TEB0182X | C007 | BJ | R2 | 3 | | VK160, VL701-VL750, VL941-VL945, VM999-VM999, VN055-VN080, VN191VN210, VN291-VN300, VN651-VN656, VN676-VN680, VN731-VN790, VN811-VN820, VR401-VR426-VR426 | |
| 211Z | 24 | PW | D08032J | 56 | | 77-12-12 | TEB0182X | C008 | BJ | R2 | 3 | | VS111 | |

 286T1080-302
 Wire Bundle Assembly
 Figure 116 (Sheet 24)

25-71-01



BOEING
COMPONENT
MAINTENANCE MANUAL

| WIRE | | | FROM EQUIPMENT | | | TO EQUIPMENT | | | WIRE INFO | | | | |
|--------|----|-----|----------------|------|----|--------------|---------|------|-----------|---------|----|----------------------------|---|
| NUMBER | GA | TYP | NUMBER | TERM | TT | WDM REF | NUMBER | TERM | TT | EMC/SEP | FT | NOTES | EFFECTIVITY |
| 212B | 24 | PW | D05552J | 11 | | 77-12-12 | TB0248X | C005 | BJ | R2 | 3 | | VK160, VL701-VL750, VL941-VL945, VM999-VM999, VN055-VN080, VN191VN210, VN291-VN300, VN651-VN656, VN676-VN680, VN731-VN790, VN811-VN820, VR401-VR401, VR426-VR426 |
| 212B | 24 | PW | D05552J | 11 | | 77-12-12 | TB0248X | C005 | BJ | R2 | 2 | | VS111 |
| 212R | 24 | PW | D05552J | 10 | | 77-12-12 | TB0248X | B005 | BJ | R2 | 2 | | |
| 212Z | 24 | PK | D05552J | 12 | | 77-12-12 | TB0248X | A005 | BJ | R2 | 2 | | |
| 217 | 24 | PK | D05766J | 31 | | 36-11-62 | D01876 | 17 | | R2 | 3 | | VK160, VL701-VL750, VL941-VL945, VM999-VM999, VN055-VN080, VN191VN210, VN291-VN300, VN651-VN656, VN676-VN680, VN731-VN790, VN811-VN820, VR401-VR401, VR426-VR426 |
| 217 | 24 | PK | D05766J | 31 | | 36-11-62 | D01876 | 17 | | R2 | 2 | | VS111 |
| 221 | 22 | PA | D05644J | 30 | | 21-23-11 | TB0158G | 16 | 2 | R2 | 4 | | VK160, VL701-VL750, VL941-VL945, VM999-VM999, VN065-VN080, VN191VN210, VN291-VN300, VN653-VN656, VN676-VN680, VN731-VN750, VN754-VN790, VN814-VN820, VR401-VR401, VR426-VR426 |
| 221 | 22 | PA | D05644J | 30 | | 21-23-11 | TB0158G | 16 | 2 | R2 | 4 | MLA-F2 MNU-T2 ZSZ-B6 | VN731, VN751-VN753 |
| 221 | 22 | PA | D05644J | 30 | | 21-23-11 | TB0158G | 16 | 2 | R2 | 2 | | VS111 |
| 248 | 22 | PA | D01876 | 66 | | 36-11-62 | SM00007 | | W | R2 | 3 | | VK160, VL701-VL750, VL941-VL945, VM999-VM999, VN055-VN080, VN191VN210, VN291-VN300, VN651-VN656, VN676-VN680, VN731-VN790, VN811-VN820, VR401-VR401, VR426-VR426 |
| 248 | 22 | PA | D01876 | 66 | | 36-11-62 | SM00007 | | W | R2 | 1 | | VS111 |
| 249 | 22 | PA | D01876 | 34 | | 36-11-62 | SM00007 | | W | R2 | 3 | | VK160, VL701-VL750, VL941-VL945, VM999-VM999, VN055-VN080, VN191VN210, VN291-VN300, VN651-VN656, VN676-VN680, VN731-VN790, VN811-VN820, VR401-VR401, VR426-VR426 |
| 249 | 22 | PA | D01876 | 34 | | 36-11-62 | SM00007 | | W | R2 | 1 | | VS111 |
| 301B | 24 | PM | D02676 | 12 | | 27-58-21 | D08032J | 22 | | R2 | 3 | | VK160, VL701-VL750, VL941-VL945, VM999-VM999, VN055-VN080, VN191VN210, VN291-VN300, VN651-VN656, VN676-VN680, VN731-VN790, VN811-VN820, VR401-VR401, VR426-VR426 |

286T1080-302
Wire Bundle Assembly
Figure 116 (Sheet 25)

25-71-01

TESTING & FAULT ISOLATION
01 Page 1460
Nov 01/02

| WIRE | | | FROM EQUIPMENT | | | | TO EQUIPMENT | | | | WIRE INFO | | | |
|--------|----|-----|----------------|------|----|----------|--------------|------|----|---------|-----------|-------|--|--|
| NUMBER | GA | TYP | NUMBER | TERM | TT | WDM REF | NUMBER | TERM | TT | EMC/SEP | FT | NOTES | EFFECTIVITY | |
| 301B | 24 | PM | D02676 | 12 | | 27-58-21 | D08032J | 22 | | R2 | 2 | | VS111 | |
| 301R | 24 | PM | D02676 | 13 | | 27-58-21 | D08032J | 23 | | R2 | | | | |
| 301Y | 24 | PM | D02676 | 11 | | 27-58-21 | D08032J | 24 | | R2 | | | | |
| 304B | 24 | PM | D02676 | 32 | | 27-58-21 | D04887J | 32 | | R2 | 3 | | VK160, VL701-VL750, VL941-VL945, VM999-VM999, VN055-VN080, VN191VN210, VN291-VN300, VN651-VN656, VN676-VN680, VN731-VN790, VN811-VN820, VR401-VR401, VR426-VR426 | |
| 304B | 24 | PM | D02676 | 32 | | 27-58-21 | D04887J | 32 | | R2 | 1 | | VS111 | |
| 304R | 24 | PM | D02676 | 33 | | 27-58-21 | D04887J | 33 | | R2 | | | | |
| 304Y | 24 | PM | D02676 | 34 | | 27-58-21 | D04887J | 34 | | R2 | | | | |
| 500 | 24 | PK | D05644J | 40 | | 21-58-11 | D01872 | 1 | | R2 | 3 | | VK160, VL701-VL750, VL941-VL945, VM999-VM999, VN055-VN080, VN191VN210, VN291-VN300, VN651-VN656, VN676-VN680, VN731-VN790, VN811-VN820, VR401-VR401, VR426-VR426 | |
| 500 | 24 | PK | D05644J | 40 | | 21-58-11 | D01872 | 1 | | R2 | 1 | | VS111 | |
| 507 | 24 | PK | TB0158G | 1 | 2 | 34-61-23 | D04809J | 1 | | R2 | 3 | | VN058, VN191-VN192 | |
| 507 | 24 | PK | TB0158Y | A003 | BJ | 34-61-23 | D04809J | 1 | | R2 | 3 | | VK160, VL701-VL750, VL941-VL945, VM999-VM999, VN059-VN080, VN193VN210, VN291-VN300, VN651-VN656, VN676-VN680, VN731-VN790, VN811-VN820, VR401-VR401, VR426-VR426 | |
| 507 | 24 | PK | TB0158Y | A003 | BJ | 34-61-23 | D04809J | 1 | | R2 | 2 | | VS111 | |
| 508 | 24 | PK | TB0158G | 18 | 2 | 34-61-23 | D04809J | 2 | | R2 | 3 | | VK160, VL701-VL750, VL941-VL945, VM999-VM999, VN055-VN080, VN191VN210, VN291-VN300, VN651-VN656, VN676-VN680, VN731-VN790, VN811-VN820, VR401-VR401, VR426-VR426 | |
| 508 | 24 | PK | TB0158G | 18 | 2 | 34-61-23 | D04809J | 2 | | R2 | 2 | | VS111 | |
| 509 | 24 | PK | TB0158G | 21 | 2 | 34-61-23 | D04809J | 3 | | R2 | 3 | | VK160, VL701-VL750, VL941-VL945, VM999-VM999, VN055-VN080, VN191VN210, VN291-VN300, VN651-VN656, VN676-VN680, VN731-VN790, VN811-VN820, VR401-VR401, VR426-VR426 | |
| 509 | 24 | PK | TB0158G | 21 | 2 | 34-61-23 | D04809J | 3 | | R2 | 2 | | VS111 | |

286T1080-302
Wire Bundle Assembly
Figure 116 (Sheet 26)

25-71-01



BOEING
COMPONENT
MAINTENANCE MANUAL

| WIRE | | | FROM EQUIPMENT | | | | TO EQUIPMENT | | | | WIRE INFO | | |
|--------|----|-----|----------------|------|----|----------|--------------|------|----|---------|-----------|-------|--|
| NUMBER | GA | TYP | NUMBER | TERM | TT | WDM REF | NUMBER | TERM | TT | EMC/SEP | FT | NOTES | EFFECTIVITY |
| 510 | 24 | PK | TB0158G | 22 | 2 | 34-61-23 | D04809J | 4 | | R2 | 3 | | VK160, VL701-VL750, VL941-VL945, VM999-VM999, VN055-VN080, VN191VN210, VN291-VN300, VN651-VN656, VN676-VN680, VN731-VN790, VN811-VN820, VR401-VR401, VR426-VR426 |
| 510 | 24 | PK | TB0158G | 22 | 2 | 34-61-23 | D04809J | 4 | | R2 | 2 | | VS111 |
| 511 | 24 | PK | TB0158G | 23 | 2 | 34-61-23 | D04809J | 5 | | R2 | 3 | | VK160, VL701-VL750, VL941-VL945, VM999-VM999, VN055-VN080, VN191VN210, VN291-VN300, VN651-VN656, VN676-VN680, VN731-VN790, VN811-VN820, VR401-VR401, VR426-VR426 |
| 511 | 24 | PK | TB0158G | 23 | 2 | 34-61-23 | D04809J | 5 | | R2 | 2 | | VS111 |
| 512 | 24 | PV | TB0182Y | A005 | BJ | 34-61-23 | D04809J | 6 | | L2 | 3 | | VK160, VL701-VL750, VL941-VL945, VM999-VM999, VN055-VN080, VN191VN210, VN291-VN300, VN651-VN656, VN676-VN680, VN731-VN790, VN811-VN820, VR401-VR401, VR426-VR426 |
| 512 | 24 | PV | TB0182Y | A004 | BJ | 34-61-23 | D04809J | 7 | | L2 | 2 | | VS111 |
| 512Z | | | TB0182Y | DED | | 34-61-23 | TB0182Y | DED | | R2 | | | |
| 513 | 24 | PV | TB0182Y | A004 | BJ | 34-61-23 | D04809J | 7 | | L2 | 3 | | VK160, VL701-VL750, VL941-VL945, VM999-VM999, VN055-VN080, VN191VN210, VN291-VN300, VN651-VN656, VN676-VN680, VN731-VN790, VN811-VN820, VR401-VR401, VR426-VR426 |
| 513Z | | | TB0182Y | DED | | 34-61-23 | TB0182Y | DED | | R2 | | | |
| 514 | 24 | PV | TB0182Y | A009 | BJ | 34-61-23 | D04809J | 8 | | L2 | 3 | | VK160, VL701-VL750, VL941-VL945, VM999-VM999, VN055-VN080, VN191VN210, VN291-VN300, VN651-VN656, VN676-VN680, VN731-VN790, VN811-VN820, VR401-VR401, VR426-VR426 |
| 514Z | | | TB0182Y | DED | | 34-61-23 | TB0182Y | DED | | R2 | | | |
| 515 | 24 | PV | TB0182Y | C009 | BJ | 34-61-23 | D04809J | 9 | | L2 | 3 | | VK160, VL701-VL750, VL941-VL945, VM999-VM999, VN055-VN080, VN191VN210, VN291-VN300, VN651-VN656, VN676-VN680, VN731-VN790, VN811-VN820, VR401-VR401, VR426-VR426 |
| 515Z | | | TB0182Y | DED | | 34-61-23 | TB0182Y | DED | | R2 | | | |

286T1080-302
Wire Bundle Assembly
Figure 116 (Sheet 27)

25-71-01

| WIRE | | | FROM EQUIPMENT | | | | TO EQUIPMENT | | | | WIRE INFO | | | |
|--------|----|-----|----------------|------|----|----------|--------------|------|----|---------|-----------|------------------|--|--|
| NUMBER | GA | TYP | NUMBER | TERM | TT | WDM REF | NUMBER | TERM | TT | EMC/SEP | FT | NOTES | EFFECTIVITY | |
| 516 | 24 | PV | TB0182Y | A010 | BJ | 34-61-23 | D04809J | 10 | | L2 | 3 | | VK160, VL701-VL750, VL941-VL945, VM999-VM999, VN055-VN080, VN191VN210, VN291-VN300, VN651-VN656, VN676-VN680, VN731-VN790, VN811-VN820, VR401-VR401, VR426-VR426 | |
| 516 | 24 | PV | TB0182Y | A010 | BJ | 34-61-23 | D04809J | 10 | | L2 | 2 | | VS111 | |
| 516Z | | | D04809J | DED | | 34-61-23 | TB0182Y | DED | | R2 | | | | |
| 518 | 22 | PA | D02676 | 43 | | 27-58-21 | GDX0002 | D.. | 2 | R2 | 4 | | VK160, VL701-VL750, VL941-VL945, VM999-VM999, VN055-VN080, VN191VN210, VN291-VN300, VN651-VN656, VN676-VN680, VN731-VN790, VN811-VN820, VR401-VR401, VR426-VR426 | |
| 518 | 22 | PA | D02676 | 43 | | 27-58-21 | GDX0002 | D.. | 2 | R2 | 2 | | VS111 | |
| 521 | 22 | PA | D02676 | 29 | | 27-61-11 | D04887J | 27 | | R2 | 6 | MOT-F2 MLA-T2 | VN192 | |
| 521 | 22 | PA | D02676 | 29 | | 27-61-11 | D04887J | 27 | | R2 | 4 | | VK160, VL701-VL750, VL941-VL945, VM999-VM999, VN193-VN210, VN292VN300, VN731-VN790, VN811-VN820, VR401-VR401, VR426-VR426 | |
| 521 | 22 | PA | D02676 | 29 | | 27-61-11 | D04887J | 27 | | R2 | 4 | MOT-F2 MLA-T2 | | |
| 521 | 22 | PA | D02676 | 29 | | 27-61-11 | TB0182D | C022 | 2 | R2 | 3 | MOT-F2 ZSZ-B6 | | |
| 521 | 22 | PA | D02676 | 29 | | 27-61-11 | TB0158D | C013 | 2 | R2 | 4 | | VN656, VN676-VN680 | |
| 521 | 22 | PA | D02676 | 29 | | 27-61-11 | D04887J | 27 | | R2 | 3 | | VS111 | |
| 521 | 22 | PA | D02676 | 29 | | 27-61-11 | D04887J | 27 | | R2 | 4 | | VK160, VL701-VL750, VL941-VL945, VM999-VM999, VN055-VN080, VN191VN210, VN291-VN300, VN651-VN656, VN676-VN680, VN731-VN790, VN811-VN820, VR401-VR401, VR426-VR426 | |
| 521 | 22 | PA | D02676 | 29 | | 27-61-11 | D04887J | 27 | | R2 | 1 | | VS111 | |
| 523 | 22 | PA | D02676 | 26 | | 22-24-21 | D04887J | 1 | | R2 | 3 | | VK160, VL701-VL750, VL941-VL945, VM999-VM999, VN055-VN080, VN191VN210, VN291-VN300, VN651-VN656, VN676-VN680, VN731-VN790, VN811-VN820, VR401-VR401, VR426-VR426 | |
| 523 | 22 | PA | D02676 | 26 | | 22-24-21 | D04887J | 1 | | R2 | 1 | | VS111 | |
| 524 | 24 | PK | TB0158F | A025 | 2 | 21-51-11 | D01876 | 4 | | R2 | 4 | | VK160, VL701-VL750, VL941-VL945, VM999-VM999, VN055-VN080, VN191VN210, VN291-VN300, VN651-VN656, VN676-VN680, VN731-VN790, VN811-VN820, VR401-VR401, VR426-VR426 | |

286T1080-302
Wire Bundle Assembly
Figure 116 (Sheet 28)

25-71-01



BOEING
COMPONENT
MAINTENANCE MANUAL

| WIRE | | | FROM EQUIPMENT | | | | TO EQUIPMENT | | | | WIRE INFO | | | |
|--------|----|-----|----------------|------|----|----------|--------------|------|----|---------|-----------|-------|--|--|
| NUMBER | GA | TYP | NUMBER | TERM | TT | WDM REF | NUMBER | TERM | TT | EMC/SEP | FT | NOTES | EFFECTIVITY | |
| 524 | 24 | PK | TB0158F | A025 | 2 | 21-51-11 | D01876 | 4 | | R2 | 3 | | VS111 | |
| 525 | 24 | PK | D01868 | 3 | | 21-51-21 | TB0158G | 9 | 2 | R2 | 4 | | VK160, VL701-VL750, VL941-VL945, VM999-VM999, VN055-VN080, VN191VN210, VN291-VN300, VN651-VN656, VN676-VN680, VN731-VN790, VN811-VN820, VR401-VR401, VR426-VR426 | |
| 525 | 24 | PK | D01868 | 3 | | 21-51-21 | TB0158G | 9 | 2 | R2 | 3 | | VS111 | |
| 526 | 24 | PK | D01868 | 16 | | 21-51-21 | TB0158F | C025 | 2 | R2 | 4 | | VK160, VL701-VL750, VL941-VL945, VM999-VM999, VN055-VN080, VN191VN210, VN291-VN300, VN651-VN656, VN676-VN680, VN731-VN790, VN811-VN820, VR401-VR401, VR426-VR426 | |
| 526 | 24 | PK | D01868 | 16 | | 21-51-21 | TB0158F | C025 | 2 | R2 | 3 | | VS111 | |
| 527 | 24 | PK | D01868 | 37 | | 21-51-21 | D01876 | 38 | | R2 | 3 | | VK160, VL701-VL750, VL941-VL945, VM999-VM999, VN055-VN080, VN191VN210, VN291-VN300, VN651-VN656, VN676-VN680, VN731-VN790, VN811-VN820, VR401-VR401, VR426-VR426 | |
| 527 | 24 | PK | D01868 | 37 | | 21-51-21 | D01876 | 38 | | R2 | 1 | | VS111 | |
| 528 | 24 | PK | D01868 | 38 | | 21-51-21 | D08032J | 4 | | R2 | 4 | | VK160, VL701-VL750, VL941-VL945, VM999-VM999, VN055-VN080, VN191VN210, VN291-VN300, VN651-VN656, VN676-VN680, VN731-VN790, VN811-VN820, VR401-VR401, VR426-VR426 | |
| 528 | 24 | PK | D01868 | 38 | | 21-51-21 | D08032J | 4 | | R2 | 2 | | VS111 | |
| 533 | 24 | PK | TB0182X | D012 | BJ | 73-21-17 | D08032J | 31 | | R2 | 3 | | VK160, VL701-VL750, VL941-VL945, VM999-VM999, VN055-VN080, VN191VN210, VN291-VN300, VN651-VN656, VN676-VN680, VN731-VN790, VN811-VN820, VR401-VR401, VR426-VR426 | |
| 533 | 24 | PK | TB0182X | D012 | BJ | 73-21-17 | D08032J | 31 | | R2 | 2 | | VS111 | |
| 534 | 24 | PK | TB0182X | A015 | BJ | 73-21-16 | D08032J | 30 | | R2 | 3 | | VK160, VL701-VL750, VL941-VL945, VM999-VM999, VN055-VN080, VN191VN210, VN291-VN300, VN651-VN656, VN676-VN680, VN731-VN790, VN811-VN820, VR401-VR401, VR426-VR426 | |
| 534 | 24 | PK | TB0182X | A015 | BJ | 73-21-16 | D08032J | 30 | | R2 | 2 | | VS111 | |
| 535 | 24 | PV | D08032J | 42 | | 73-21-11 | TB0182Y | A003 | BJ | R2 | 3 | | VK160, VL701-VL750, VL941-VL945, VM999-VM999, VN055-VN080, VN193VN210, VN731-VN790, VN811-VN820, VR401-VR401, VR426-VR426 | |

286T1080-302
Wire Bundle Assembly
Figure 116 (Sheet 29)

25-71-01

| WIRE | | | FROM EQUIPMENT | | | TO EQUIPMENT | | | WIRE INFO | | |
|--------|----|-----|----------------|---------|----------|--------------|---------|---------|-----------|-------|--|
| NUMBER | GA | TYP | NUMBER | TERM TT | WDM REF | NUMBER | TERM TT | EMC/SEP | FT | NOTES | EFFECTIVITY |
| 535 | 24 | PV | D08032J | 42 | 73-21-11 | TB0182Y | A003 BJ | R2 | 3 | | VS111 |
| 535 | 24 | PV | D08032J | 42 | 73-21-11 | TB0182Y | A003 BJ | R2 | 2 | | VK160, VL701-VL750, VL941-VL945, VM999-VM999, VN055-VN080, VN193VN210, VN657-VN670, VN731-VN790, VN811-VN820, VR401-VR401, VR426-VR426, VS111-VS111 |
| 535Z | | | D08032J | 41 | 73-21-11 | TB0182Y | C003 BJ | R2 | | | |
| 535Z | | | D08032J | 41 | 73-21-11 | TB0182Y | C003 BJ | R2 | | | |
| 538 | 24 | PK | D01868 | 30 | 21-53-22 | TB0182X | C011 BJ | R2 | 4 | | VK160, VL701-VL750, VL941-VL945, VM999-VM999, VN055-VN080, VN191VN210, VN291-VN300, VN651-VN656, VN676-VN680, VN731-VN790, VN811-VN820, VR401-VR401, VR426-VR426 |
| 538 | 24 | PK | D01868 | 30 | 21-53-22 | TB0182X | C011 BJ | R2 | 3 | | VS111 |
| 540 | 24 | PK | D08032J | 37 | 21-58-11 | TB0182Y | C002 BJ | R2 | 2 | | VK160, VL701-VL750, VL941-VL945, VM999-VM999, VN055-VN080, VN191VN210, VN291-VN300, VN651-VN656, VN676-VN680, VN731-VN790, VN811-VN820, VR401-VR401, VR426-VR426 |
| 540 | 24 | PK | D08032J | 37 | 21-58-11 | TB0182Y | C002 BJ | R2 | 2 | | VS111 |
| 541 | 24 | PV | D08032J | 29 | 73-21-11 | TB0182Y | A003 BJ | R2 | 3 | | VK160, VL701-VL750, VL941-VL945, VM999-VM999, VN055-VN080, VN193VN210, VN731-VN790, VN811-VN820, VR401-VR401, VR426-VR426 |
| 541 | 24 | PV | D08032J | 29 | 73-21-11 | TB0182Y | A003 BJ | R2 | 3 | | VS111 |
| 541 | 24 | PK | D08032J | 27 | 73-21-11 | D08032J | 42 | R2 | 4 | | VN656 |
| 541 | 24 | PK | D08032J | 27 | 73-21-11 | D08032J | 57 | R2 | 2 | | VS111 |
| 541 | 24 | PV | D08032J | 29 | 73-21-11 | TB0182Y | A003 BJ | R2 | 2 | | |
| 541 | 24 | PK | D08032J | 27 | 73-21-11 | D08032J | 57 | R2 | 4 | | |
| 541Z | | | D08032J | 28 | 73-21-11 | TB0182Y | C003 BJ | R2 | | | VK160, VL701-VL750, VL941-VL945, VM999-VM999, VN055-VN080, VN193VN210, VN657-VN670, VN731-VN790, VN811-VN820, VR401-VR401, VR426-VR426, VS111-VS111 |
| 541Z | | | D08032J | 28 | 73-21-11 | TB0182Y | C003 BJ | R2 | | | VN656 |
| 541Z | | | D08032J | 28 | 73-21-11 | D08032J | 41 | R2 | | | VK160, VL701-VL750, VL941-VL945, VM999-VM999, VN055-VN080, VN191VN210, VN651-VN656, VN731-VN790, VN811-VN820, VR401-VR401, VR426-VR426 |
| 542 | 24 | PV | D08032J | 58 | 73-21-11 | TB0248X | D002 BJ | R2 | 3 | | VN656 |
| 542 | 24 | PK | D08032J | 58 | 73-21-11 | TB0248X | C001 BJ | R2 | 3 | | VN680 |
| 542 | 24 | PV | D08032J | 58 | 73-21-11 | TB0248X | D002 BJ | R2 | 2 | | VS111 |

286T1080-302
Wire Bundle Assembly
Figure 116 (Sheet 30)

25-71-01



BOEING
COMPONENT
MAINTENANCE MANUAL

| WIRE | | | FROM EQUIPMENT | | | | TO EQUIPMENT | | | | WIRE INFO | | | |
|--------|----|-----|----------------|------|----|----------|--------------|------|----|---------|-----------|-------|--|--|
| NUMBER | GA | TYP | NUMBER | TERM | TT | WDM REF | NUMBER | TERM | TT | EMC/SEP | FT | NOTES | EFFECTIVITY | |
| 542Z | | | D08032J | 55 | | 73-21-11 | TB0248X | C002 | BJ | R2 | | | VK160, VL701-VL750, VL941-VL945, VM999-VM999, VN055-VN080, VN191VN210, VN651-VN670, VN731-VN790, VM811-VN820, VR401-VR401, VR426-VR426, VS111-VS111 | |
| 543 | 24 | PK | D01872 | 11 | | 21-58-12 | TB0182X | D028 | BJ | R2 | 3 | | VK160, VL701-VL750, VL941-VL945, VM999-VM999, VN055-VN080, VN191VN210, VN291-VN300, VN651-VN656, VM676-VN680, VN731-VN790, VN811-VN820, VR401-VR401, VR426-VR426 | |
| 543 | 24 | PK | D01872 | 11 | | 21-58-12 | TB0182X | D028 | BJ | R2 | 2 | | VS111 | |
| 547 | 22 | PA | D08032J | 57 | | 73-21-11 | D0552J | 56 | | R2 | 2 | | VK160, VM999-VM999, VN055-VN080, VN193-VN210, VN731-VN790, VN811VN820, VR401-VR401, VR426-VR426 | |
| 547 | 18 | PA | D08032J | 57 | DL | 73-21-11 | D0552J | 56 | DL | R2 | 2 | | VL945, VM657-VN670, VS111-VS111 | |
| 550 | 20 | PQ | D08032J | 13 | | 73-21-14 | TB0248Y | C007 | BJ | R2 | 3 | | VK160, VL701-VL750, VL941-VL945, VN055-VN080, VN731-VN790, VR401VR401, VR426-VR426 | |
| 550 | 20 | PQ | D08032J | 13 | | 73-21-14 | TB0248Y | C007 | BJ | R2 | 3 | | VN210, VN811-VN820 | |
| 550Z | 20 | PQ | D08032J | 14 | | 73-21-14 | TB0248Y | C008 | BJ | R2 | 2 | | VS111 | |
| 552 | 22 | PQ | D08032J | 60 | | 73-21-11 | TB0248Y | A007 | BJ | R2 | 3 | | VK160, VL701-VL750, VL941-VL945, VM999-VM999, VN055-VN080, VN193VN210, VN657-VN670, VN731-VN790, VN811-VN820, VR401-VR401, VR426-VR426, VS111-VS111 | |
| 552 | 22 | PQ | D08032J | 60 | | 73-21-11 | TB0248Y | A007 | BJ | R2 | 2 | | VS111 | |
| 552Z | 22 | PQ | D08032J | 60 | | 73-21-11 | TB0248Y | A008 | BJ | R2 | | | VK160, VL701-VL750, VL941-VL945, VN055-VN080, VN657-VN670, VN731VN790, VR401-VR401, VR426-VR426, VS111-VS111 | |
| 552Z | 22 | PA | D08032J | 61 | | 73-21-11 | TB0248Y | A008 | BJ | R2 | | | VN210, VN811-VN820 | |
| 553 | 22 | PA | D08032J | 61 | | 73-21-11 | D0552J | 57 | | R2 | 2 | | VK160, VM999-VM999, VN055-VN080, VN193-VN210, VN731-VN790, VN811VN820, VR401-VR401, VR426-VR426 | |
| 553 | 18 | PA | D08032J | 61 | DL | 73-21-11 | D0552J | 57 | DL | R2 | 2 | | VL945, VM657-VN670, VS111-VS111 | |
| 554 | 22 | PQ | D08032J | 1 | | 73-21-11 | TB0248Y | A007 | BJ | R2 | 3 | | VK160, VL701-VL750, VL941-VL945, VM999-VM999, VN055-VN080, VN193VN210, VN731-VN790, VN811-VN820, VR401-VR401, VR426-VR426 | |
| 554 | 22 | PQ | D08032J | 1 | | 73-21-11 | TB0248Y | A007 | BJ | R2 | 2 | | VS111 | |

286T1080-302
Wire Bundle Assembly
Figure 116 (Sheet 31)

25-71-01

TESTING & FAULT ISOLATION
01 Page 146U
Nov 01/02

| WIRE | | | FROM EQUIPMENT | | | TO EQUIPMENT | | | WIRE INFO | | | | |
|--------|----|-----|----------------|------|----|--------------|---------|------|-----------|-------------|----|----------------------------|--|
| NUMBER | GA | TYP | NUMBER | TERM | TT | WDM REF | NUMBER | TERM | TT | EMC/ SEP | FT | NOTES | EFFECTIVITY |
| 554Z | | | D08032J | | | 73-21-11 | TB0248Y | A008 | BJ | R2 | | | VK160, VL701-VL750, VL941-VL945, VN055-VN080, VN657-VN670, VN731VN790, VR401-VR401, VR426-VR426, VS111-VS111 |
| 554Z | | | D08032J | | | 73-21-11 | TB0248Y | A008 | BJ | R2 | | | VN210, VN811-VN820 |
| 556 | 22 | PQ | D05552J | 41 | | 73-21-11 | TB0248Y | A007 | BJ | R2 | 3 | | VK160, VL701-VL750, VL941-VL945, VM999-VM999, VN055-VN080, VN193VN210, VN731-VN790, VN811-VN820, VR401-VR401, VR426-VR426 |
| 556 | 22 | PQ | D05552J | 41 | | 73-21-11 | TB0248Y | A007 | BJ | R2 | 2 | | VS111 |
| 556Z | | | D05552J | 19 | | 73-21-11 | TB0248Y | A008 | BJ | R2 | | | VK160, VL701-VL750, VL941-VL945, VM999-VM999, VN055-VN080, VN193VN210, VN657-VN670, VN731-VN790, VN811-VN820, VR401-VR401, VR426-VR426, VS111-VS111 |
| 559 | 22 | PA | D04887J | 27 | | 27-61-11 | TB0182D | A022 | 2 | R2 | 3 | MLA-F2 MNU-T2 ZSZ-B6 | |
| 559 | 22 | PA | D04887J | 27 | | 27-61-11 | TB0158D | A013 | 2 | R2 | 3 | | |
| 560 | 22 | PA | TB0182D | C022 | 2 | 27-61-11 | TB0182D | C024 | 2 | R2 | 2 | MNU-B2 ZSZ-B6 | |
| 560 | 22 | PA | TB0158D | C013 | 2 | 27-61-11 | TB0158D | C014 | 2 | R2 | 3 | | VK160, VL701-VL750, VL941-VL945, VM999-VM999, VN055-VN080, VN191VN210, VN291-VN300, VN651-VN656, VN676-VN680, VN731-VN790, VN811-VN820, VR401-VR401, VR426-VR426 |
| 600 | 22 | PA | D02676 | 44 | | 27-41-21 | D04887J | 26 | | R2 | 1 | | VS111 |
| 601 | 24 | PK | D04809J | 23 | | 31-51-42 | TB0182D | C026 | 2 | R2 | 3 | | VK160, VL701-VL750, VL941-VL945, VM999-VM999, VN055-VN080, VN191VN210, VN291-VN300, VN651-VN656, VN676-VN680, VN731-VN790, VN811-VN820, VR401-VR401, VR426-VR426 |
| 601 | 24 | PK | D04809J | 23 | | 31-51-42 | TB0182D | C026 | 2 | R2 | 2 | | VS111 |
| 601 | 24 | PK | D05644J | 11 | | 21-58-11 | TB0158F | C011 | 2 | R2 | 2 | | |
| 700 | 24 | PK | D02676 | 14 | | 31-31-21 | D04809J | 17 | | R2 | 3 | | VN790 |
| 701 | 22 | PA | TB0182Y | C001 | BJ | 21-51-21 | D08032J | 54 | | R2 | 3 | | VK160, VL701-VL750, VL941-VL945, VM999-VM999, VN055-VN080, VN191VN210, VN291-VN300, VN651-VN656, VN676-VN680, VN731-VN790, VN811-VN820, VR401-VR401, VR426-VR426 |

286T1080-302
Wire Bundle Assembly
Figure 116 (Sheet 32)

25-71-01



BOEING
COMPONENT
MAINTENANCE MANUAL

| WIRE | | | FROM EQUIPMENT | | | | TO EQUIPMENT | | | | WIRE INFO | | | |
|--------|----|-----|----------------|------|----|----------|--------------|------|----|---------|-----------|-------|--|--|
| NUMBER | GA | TYP | NUMBER | TERM | TT | WDM REF | NUMBER | TERM | TT | EMC/SEP | FT | NOTES | EFFECTIVITY | |
| 701 | 22 | PA | TB0182Y | C001 | BJ | 21-51-21 | D08032J | 54 | | R2 | 2 | | VS111 | |
| 703 | 24 | PK | D02676 | 16 | | 31-31-21 | D04809J | 18 | | R2 | 3 | | VN790 | |
| 706 | 24 | PK | D08032J | 51 | | 30-31-21 | TB0248Y | A014 | BJ | R2 | 3 | | VN160, VL701-VL750, VL941-VL945, VM999-VM999, VN055-VN080, VN191VN210, VN291-VN300, VN651-VN656, VN676-VN680, VN731-VN790, VN811-VN820, VR401-VR401, VR426-VR426 | |
| 706 | 24 | PK | D08032J | 51 | | 30-31-21 | TB0248Y | A014 | BJ | R2 | 2 | | VS111 | |
| 708 | 24 | PK | D01870 | 24 | | 21-51-13 | D05552J | 5 | | R2 | 4 | | VK160, VL701-VL750, VL941-VL945, VM999-VM999, VN055-VN080, VN191VN210, VN291-VN300, VN651-VN656, VN676-VN680, VN731-VN790, VN811-VN820, VR401-VR401, VR426-VR426 | |
| 708 | 24 | PK | D01870 | 24 | | 21-51-13 | D05552J | 5 | | R2 | 2 | | VS111 | |
| 712 | 24 | PK | D01874 | 2 | | 21-25-11 | TB0248D | A020 | 2 | R2 | 4 | | VK160, VL701-VL750, VL941-VL945, VM999-VM999, VN055-VN080, VN191VN210, VN291-VN300, VN651-VN656, VN676-VN680, VN731-VN790, VN811-VN820, VR401-VR401, VR426-VR426 | |
| 712 | 24 | PK | D01874 | 2 | | 21-25-11 | TB0248D | A020 | 2 | R2 | 2 | | VS111 | |
| 713 | 24 | PK | TB0248D | C020 | 2 | 21-25-11 | TB0248Y | C010 | BJ | R2 | 3 | | VK160, VL701-VL750, VL941-VL945, VM999-VM999, VN055-VN080, VN191VN210, VN291-VN300, VN651-VN656, VN676-VN680, VN731-VN790, VN811-VN820, VR401-VR401, VR426-VR426 | |
| 713 | 24 | PK | TB0248D | C020 | 2 | 21-25-11 | TB0248Y | C010 | BJ | R2 | 2 | | VS111 | |
| 714 | 22 | PA | D08032J | 53 | | 73-21-19 | D02676 | 28 | | R2 | 3 | | VN160, VL701-VL750, VL941-VL945, VM999-VM999, VN055-VN080, VN191VN210, VN291-VN300, VN651-VN656, VN676-VN680, VN731-VN790, VN811-VN820, VR401-VR401, VR426-VR426 | |
| 714 | 22 | PA | D08032J | 53 | | 73-21-19 | D02676 | 28 | | R2 | 2 | | VS111 | |
| 715 | 22 | PA | D05766J | 15 | | 24-51-52 | TB0248X | A015 | BJ | R2 | 3 | | VK160, VL701-VL750, VL941-VL945, VM999-VM999, VN055-VN080, VN191VN210, VN291-VN300, VN651-VN656, VN676-VN680, VN731-VN790, VN811-VN820, VR401-VR401, VR426-VR426 | |
| 715 | 22 | PA | D05766J | 15 | | 24-51-52 | TB0248X | A015 | BJ | R2 | 2 | | VS111 | |

286T1080-302
Wire Bundle Assembly
Figure 116 (Sheet 33)

25-71-01

| WIRE | | | FROM EQUIPMENT | | | TO EQUIPMENT | | | WIRE INFO | | | | |
|--------|----|-----|----------------|------|----|--------------|---------|------|-----------|---------|----|-------|--|
| NUMBER | GA | TYP | NUMBER | TERM | TT | MDM REF | NUMBER | TERM | TT | EMC/SEP | FT | NOTES | EFFECTIVITY |
| 716 | 22 | PA | D05766J | 16 | | 24-51-52 | TE0248X | B015 | BJ | R2 | 3 | | VK160, VL701-VL750, VL941-VL945, VM999-VM999, VN055-VN080, VN191VN210, VN291-VN300, VN651-VN656, VN676-VN680, VN731-VN790, VN811-VN820, VR401-VR401, VR426-VR426 |
| 716 | 22 | PA | D05766J | 16 | | 24-51-52 | TE0248X | B015 | BJ | R2 | 2 | | VS111 |
| 718 | 22 | PA | D05766J | 17 | | 24-51-52 | TE0248X | C015 | BJ | R2 | 3 | | VK160, VL701-VL750, VL941-VL945, VM999-VM999, VN055-VN080, VN191VN210, VN291-VN300, VN651-VN656, VN676-VN680, VN731-VN790, VN811-VN820, VR401-VR401, VR426-VR426 |
| 718 | 22 | PA | D05766J | 17 | | 24-51-52 | TE0248X | C015 | BJ | R2 | 2 | | VS111 |
| 719 | 22 | PA | D05766J | 18 | | 24-51-52 | TE0248X | D015 | BJ | R2 | 3 | | VK160, VL701-VL750, VL941-VL945, VM999-VM999, VN055-VN080, VN191VN210, VN291-VN300, VN651-VN656, VN676-VN680, VN731-VN790, VN811-VN820, VR401-VR401, VR426-VR426 |
| 719 | 22 | PA | D05766J | 18 | | 24-51-52 | TE0248X | D015 | BJ | R2 | 2 | | VS111 |
| 722 | 22 | PA | D02176 | 25 | | 21-24-11 | TB0182X | B018 | BJ | R2 | 4 | | |
| 723 | 24 | PK | D02176 | 23 | | 21-24-11 | TB0182X | C018 | BJ | R2 | 4 | | |
| 724 | 24 | PK | D02176 | 22 | | 21-24-11 | TB0182X | D018 | BJ | R2 | 4 | | |
| 725 | 22 | PA | D02176 | 3 | | 21-24-11 | GDX0004 | D.. | 2 | R2 | 4 | | |
| 726 | 22 | PA | D02176 | 4 | | 21-24-11 | GDX0004 | D.. | 2 | R2 | 4 | | |
| 728 | 24 | PK | D02176 | 24 | | 21-24-11 | TB0182X | A018 | BJ | R2 | 4 | | |
| 729 | 24 | PK | D02176 | 1 | | 21-24-11 | TB0248Y | A013 | BJ | R2 | 3 | | |
| 730 | 24 | PK | D08032J | 3 | | 73-21-15 | TB0182X | D014 | BJ | R2 | 3 | | VK160, VL701-VL750, VL941-VL945, VM999-VM999, VN055-VN080, VN191VN210, VN291-VN300, VN651-VN656, VN731-VN790, VN811-VN820, VR401-VR401, VR426-VR426 |
| 730 | 24 | PK | D08032J | 3 | | 73-21-15 | TB0182X | D014 | BJ | R2 | 2 | | VS111 |
| 730 | 24 | PK | D08032J | 3 | | 73-21-15 | TB0182Y | C014 | BJ | R2 | 3 | | |
| 731 | 20 | PA | D05766J | 27 | | 36-11-52 | SM00002 | | W | R2 | 2 | | VK160, VL701-VL750, VL941-VL945, VM999-VM999, VN063-VN080, VN194VN210, VN292-VN300, VN652-VN656, VN676-VN680, VN732-VN790, VN811-VN820, VR401-VR401, VR426-VR426 |
| 731 | 20 | PA | D05766J | 27 | | 36-11-52 | SM00002 | | W | R2 | 1 | | VS111 |

286T1080-302
Wire Bundle Assembly
Figure 116 (Sheet 34)

25-71-01



BOEING
COMPONENT
MAINTENANCE MANUAL

| WIRE | | | FROM EQUIPMENT | | | TO EQUIPMENT | | | WIRE INFO | | | | |
|--------|----|------|----------------|------|----|--------------|---------|------|-----------|---------|----|-------|--|
| NUMBER | GA | TYPE | NUMBER | TERM | TT | WDM REF | NUMBER | TERM | TT | EMC/SEP | FT | NOTES | EFFECTIVITY |
| 740 | 24 | PK | D05644J | 25 | | 36-11-52 | SM00001 | | W | R2 | 3 | | VK160, VL701-VL750, VL941-VL945, VM999-VM999, VN055-VN080, VN191VN210, VN291-VN300, VN651-VN656, VN676-VN680, VN731-VN790, VN811-VN820, VR401-VR401, VR426-VR426 |
| 740 | 24 | PK | D05644J | 25 | | 36-11-52 | SM00001 | | W | R2 | 1 | | VS111 |
| 741 | 24 | PK | D01876 | 54 | | 36-11-52 | SM00001 | | W | R2 | 3 | | VK160, VL701-VL750, VL941-VL945, VM999-VM999, VN055-VN080, VN191VN210, VN291-VN300, VN651-VN656, VN676-VN680, VN731-VN790, VN811-VN820, VR401-VR401, VR426-VR426 |
| 741 | 24 | PK | D01876 | 54 | | 36-11-52 | SM00001 | | W | R2 | 1 | | VS111 |
| 742 | 22 | PA | D05644J | 34 | | 36-11-52 | SM00002 | | W | R2 | 3 | | VK160, VL701-VL750, VL941-VL945, VM999-VM999, VN055-VN080, VN191VN210, VN291-VN300, VN651-VN656, VN676-VN680, VN731-VN790, VN811-VN820, VR401-VR401, VR426-VR426 |
| 742 | 22 | PA | D05644J | 34 | | 36-11-52 | SM00002 | | W | R2 | 1 | | VS111 |
| 743 | 22 | PA | D01876 | 59 | | 36-11-52 | SM00002 | | W | R2 | 3 | | VK160, VL701-VL750, VL941-VL945, VM999-VM999, VN055-VN080, VN191VN210, VN291-VN300, VN651-VN656, VN676-VN680, VN731-VN790, VN811-VN820, VR401-VR401, VR426-VR426 |
| 743 | 22 | PA | D01876 | 59 | | 36-11-52 | SM00002 | | W | R2 | 1 | | VS111 |
| 745 | 22 | PA | D01876 | 11 | | 36-11-52 | D05766J | 3 | | R2 | 3 | | VK160, VL701-VL750, VL941-VL945, VM999-VM999, VN055-VN080, VN191VN210, VN291-VN300, VN651-VN656, VN676-VN680, VN731-VN790, VN811-VN820, VR401-VR401, VR426-VR426 |
| 745 | 22 | PA | D01876 | 11 | | 36-11-52 | D05766J | 3 | | R2 | 1 | | VS111 |
| 746 | 22 | PA | D01876 | 46 | | 36-11-52 | D05766J | 2 | | R2 | 3 | | VK160, VL701-VL750, VL941-VL945, VM999-VM999, VN055-VN080, VN191VN210, VN291-VN300, VN651-VN656, VN676-VN680, VN731-VN790, VN811-VN820, VR401-VR401, VR426-VR426 |
| 746 | 22 | PA | D01876 | 46 | | 36-11-52 | D05766J | 2 | | R2 | 2 | | VS111 |
| 752 | 24 | PK | D01876 | 19 | | 36-11-62 | D05766J | 12 | | R2 | 3 | | VK160, VL701-VL750, VL941-VL945, VM999-VM999, VN055-VN080, VN191VN210, VN291-VN300, VN651-VN656, VN676-VN680, VN731-VN790, VN811-VN820, VR401-VR401, VR426-VR426 |

286T1080-302
Wire Bundle Assembly
Figure 116 (Sheet 35)

25-71-01

| WIRE | | | | FROM EQUIPMENT | | | | TO EQUIPMENT | | | | WIRE INFO | | | |
|--------|----|-----|---------|----------------|----|----------|---------|--------------|----|---------|----|-----------|--|--|--|
| NUMBER | GA | TYP | NUMBER | TERM | TT | WDM REF | NUMBER | TERMS | TT | EMC/SEP | FT | NOTES | EFFECTIVITY | | |
| 752 | 24 | PK | D01876 | 19 | | 36-11-62 | D05766J | 12 | | R2 | 2 | | VS111 | | |
| 753 | 22 | PA | D01876 | 3 | | 36-22-11 | TB0248Y | C009 | BJ | R2 | 4 | | VK160, VL701-VL750, VL941-VL945, VM999-VM999, VN055-VN080, VN191VN210, VN291-VN300, VN651-VN656, VN676-VN680, VN731-VN790, VN811-VN820, VR401-VR401, VR426-VR426 | | |
| 753 | 22 | PA | D01876 | 3 | | 36-22-11 | TB0248Y | C009 | BJ | R2 | 3 | | VS111 | | |
| 764 | 24 | PV | D08032J | 48 | | 73-21-11 | TB0248Y | A007 | BJ | R2 | 3 | | VN656 | | |
| 764 | 24 | PK | D08032J | 48 | | 73-21-11 | TB0182G | 24 | 2 | R2 | 3 | | VN680 | | |
| 764Z | 24 | PK | D08032J | 49 | | 73-21-11 | TB0248Y | A008 | BJ | R2 | 4 | | VN656 | | |
| 766 | 24 | PK | D02676 | 24 | | 21-51-21 | TB0182D | C021 | 2 | R2 | 2 | | VN062, VN191-VN194 | | |
| 768 | 24 | PK | D08032J | 40 | | 21-58-11 | TB0158G | 2 | 2 | R2 | 2 | | VN058, VN191-VN192 | | |
| 768 | 24 | PK | D08032J | 40 | | 21-58-11 | TB0158Y | C003 | BJ | R2 | 3 | | VK160, VL701-VL750, VL941-VL945, VM999-VM999, VN059-VN080, VN193VN210, VN291-VN300, VN651-VN656, VN676-VN680, VN731-VN790, VN811-VN820, VR401-VR401, VR426-VR426 | | |
| 768 | 24 | PK | D08032J | 40 | | 21-58-11 | TB0158Y | C003 | BJ | R2 | 2 | | VS111 | | |
| 769 | 24 | PK | D02676 | 52 | | 27-51-11 | D08032J | 36 | | R2 | 3 | | VK160, VL701-VL750, VL941-VL945, VM999-VM999, VN055-VN080, VN191VN210, VN291-VN300, VN651-VN656, VN676-VN680, VN731-VN790, VN811-VN820, VR401-VR401, VR426-VR426 | | |
| 769 | 24 | PK | D02676 | 52 | | 27-51-11 | D08032J | 36 | | R2 | 2 | | VS111 | | |
| 775 | 24 | PK | D01872 | 8 | | 21-58-11 | GDX0002 | D.. | 2 | R2 | 4 | | VK160, VL701-VL750, VL941-VL945, VM999-VM999, VN055-VN080, VN191VN210, VN291-VN300, VN651-VN656, VN676-VN680, VN731-VN790, VN811-VN820, VR401-VR401, VR426-VR426 | | |
| 775 | 24 | PK | D01872 | 8 | | 21-58-11 | GDX0002 | D.. | 2 | R2 | 2 | | VS111 | | |
| 776 | 24 | PK | D05644J | 33 | | 21-26-11 | TB0158F | A020 | 2 | R2 | 3 | | VK160, VL701-VL750, VL941-VL945, VM999-VM999, VN055-VN080, VN191VN210, VN291-VN300, VN651-VN656, VN676-VN680, VN731-VN790, VN811-VN820, VR401-VR401, VR426-VR426 | | |
| 776 | 24 | PK | D05644J | 33 | | 21-26-11 | TB0158F | A020 | 2 | R2 | 2 | | VS111 | | |

286T1080-302
Wire Bundle Assembly
Figure 116 (Sheet 36)

25-71-01



BOEING
COMPONENT
MAINTENANCE MANUAL

| WIRE | | | FROM EQUIPMENT | | | | TO EQUIPMENT | | | | WIRE INFO | | | |
|--------|----|-----|----------------|------|----|----------|--------------|------|----|---------|-----------|-------|--|--|
| NUMBER | GA | TYP | NUMBER | TERM | TT | WDM REF | NUMBER | TERM | TT | EMC/SEP | FT | NOTES | EFFECTIVITY | |
| 778 | 24 | PK | D05552J | 53 | | 73-21-15 | TB0248X | C012 | BJ | R2 | 2 | | VK160, VL701-VL750, VL941-VL945, VM999-VM999, VN055-VN080, VN191VN210, VN291-VN300, VN651-VN656, VN676-VN680, VN731-VN790, VN811-VN820, VR401-VR401, VR426-VR426 | |
| 778 | 24 | PK | D05552J | 53 | | 73-21-15 | TB0248X | C012 | BJ | R2 | 2 | | VS111 | |
| 779 | 24 | PK | D05552J | 52 | | 73-21-15 | TB0248X | D012 | BJ | R2 | 2 | | VK160, VL701-VL750, VL941-VL945, VM999-VM999, VN055-VN080, VN191VN210, VN291-VN300, VN651-VN656, VN676-VN680, VN731-VN790, VN811-VN820, VR401-VR401, VR426-VR426 | |
| 779 | 24 | PK | D05552J | 52 | | 73-21-15 | TB0248X | D012 | BJ | R2 | 2 | | VS111 | |
| 780 | 24 | PK | D05552J | 55 | | 73-21-15 | TB0158F | C015 | 2 | R2 | 3 | | VK160, VL701-VL750, VL941-VL945, VM999-VM999, VN055-VN080, VN191VN210, VN291-VN300, VN651-VN656, VN676-VN680, VN731-VN790, VN811-VN820, VR401-VR401, VR426-VR426 | |
| 780 | 24 | PK | D05552J | 55 | | 73-21-15 | TB0158F | C015 | 2 | R2 | 2 | | VS111 | |
| 781 | 22 | PA | TB0248D | C021 | 2 | 73-21-19 | TB0248Y | C014 | BJ | R2 | 2 | | VK160, VL701-VL750, VL941-VL945, VM999-VM999, VN055-VN080, VN191VN210, VN291-VN300, VN651-VN656, VN676-VN680, VN731-VN790, VN811-VN820, VR401-VR401, VR426-VR426 | |
| 781 | 22 | PA | TB0248D | C021 | 2 | 73-21-19 | TB0248Y | C014 | BJ | R2 | 2 | | VS111 | |
| 782 | 22 | PA | TB0248Y | C014 | BJ | 73-21-19 | D08032J | 39 | | R2 | 3 | | VK160, VL701-VL750, VL941-VL945, VM999-VM999, VN055-VN080, VN191VN210, VN291-VN300, VN651-VN656, VN676-VN680, VN731-VN790, VN811-VN820, VR401-VR401, VR426-VR426 | |
| 782 | 22 | PA | TB0248Y | C014 | BJ | 73-21-19 | D08032J | 39 | | R2 | 2 | | VS111 | |

286T1080-302
Wire Bundle Assembly
Figure 116 (Sheet 37)

25-71-01

| WIRE | | FROM EQUIPMENT | | | TO EQUIPMENT | | | WIRE INFO | | | |
|--------|--------|----------------|---------|----------|--------------|---------|----------|-----------|--------|---|--|
| NUMBER | GA TYP | NUMBER | TERM TT | WDM REF | NUMBER | TERM TT | EMC/ SEP | FT | NOTES | EFFECTIVITY | |
| FRA | | D08038J | | 28-21-12 | D08038J | 2 | | | | VE087-VE100, VE171-VE180, VF062-VF090, VF101- VF110, VF161-VF170, VK055-VK080, VK161-VK180, VL796- VL810, VL931-VL940, VN174-VN190, VN213-VN220, VN223- VN230, VN242-VN290, VN371-VN420, VN491-VN545, VN551- VN633, VN671-VN675, VN681-VN730, VN931-VN950, VN966- VN967, VN971-VN990, VR421-VR421, VR471-VR471, VS061- VS061, VS066-VS070, VS091-VS094, VS206-VS207 | |
| FRB | | D08038J | | 28-21-12 | D08038J | 7 | | | | | |
| FRC | | D08038J | | 28-21-12 | D08038J | 9 | | | | | |
| FRD | | D08038J | | 28-21-12 | D08038J | 3 | | | | | |
| FRE | | D08038J | | 28-21-12 | D08038J | 10 | | | | | |
| FRF | | D08038J | | 28-21-12 | D08038J | 12 | | | | | |
| FRM | | TB0182Y | REF | 77-12-12 | TB0182Y | A014 | BJ | | | | |
| FRN | | TB0182Y | REF | 77-12-12 | TB0182Y | A014 | BJ | | | | |
| FRN | | TB0182Y | REF | 77-12-12 | TB0182Y | A017 | BJ | | | | |
| FRN | | TB0182Y | REF | 77-12-12 | TB0182Y | A017 | BJ | | | | |
| PAL | | D02674 | 47 | 27-58-21 | D02674 | 66 | | | DAW-B2 | VF091-VF100 VA001-VB410, VB421-VE180, VF001-VF010, VF021- VF110, VF161-VF180, VF251-VF260, VK001-VK006, VK021- VK022, VK031-VK054, VL001-VL006, VL011-VL040, VN001- VN015, VN171-VN173, VN211-VN211 | |

286T1114-101
Wire Bundle Assembly
Figure 117 (Sheet 1)

25-71-01



BOEING
COMPONENT
MAINTENANCE MANUAL

| WIRES | | FROM EQUIPMENT | | | TO EQUIPMENT | | | WIRE INFO | | | | |
|--------|----|----------------|------|----|--------------|--------|------|-----------|---------|----|--------|--|
| NUMBER | GA | NUMBER | TERM | TT | WDM REF | NUMBER | TERM | TT | EMC/SEP | FT | NOTES | EFFECTIVITY |
| PA1 | | D02674 | 47 | | 27-58-21 | D02674 | 64 | | | | DAW-B2 | VK007-VK020, VK023-VK030, VK055-VK080, VK131-VK140, VK161-VK190, VL007-VL010, VL751-VL790, VL796-VL810, VL871-VL880, VL891-VL940, VN016-VN050, VN174-VN190, VN212-VN290, VN301-VN340, VN371-VN650, VN671-VN675, VN681-VN730, VN791-VN810, VN921-VN960, VN966-VN990, VR421-VR421, VR461-VR461, VR471-VR471, VS051-VS052, VS061-VS061, VS066-VS070, VS073-VS073, VS091-VS094, VS131-VS132, VS176-VS177, VS196-VS199, VS206-VS207, VS261-VS262, VS266-VS268 |
| PB1 | | D01882 | 1 | | 99-99-99 | D01882 | 41 | | | | DAW-B2 | |
| PC1 | | D02246 | 2 | | 99-99-99 | D02246 | 26 | | | | DAW-B2 | |
| PD1 | | D10062 | 44 | | 73-21-18 | D10062 | 58 | | | 2 | DAW-B2 | VA001-VA001, VA004-VA004, VA021-VA300, VA706-VA800, VA811-VA999, VB003-VB050, VB203-VB250, VB283-VB320, VB371-VB400, VB421-VB440, VB451-VE084, VK001-VK011, VK021-VK030 |
| PD1 | | D10062 | 19 | | 73-21-18 | D10062 | 52 | | | 2 | DAW-B2 | VA311-VA500, VA509-VA700, VB055-VB100, VB107-VB200, VB254-VB280, VB322-VB330, VB401-VB410, VE101-VE170, VF001-VF010, VF021-VF060, VK031-VK054, VL001-VL010, VN001-VN050, VN301-VN340, VS196-VS199 |
| PD1 | | D10062 | 19 | | 73-21-18 | D10062 | 58 | | | 2 | DAW-B2 | VB331-VB370, VB441-VB450, VF171-VF180, VF251-VF260, VK012-VK020, VK181-VK190, VL751-VL790, VL891-VL930, VN231-VN240, VN421-VN490, VN546-VN550, VN634-VN650, VN791-VN810, VN921-VN930, VN951-VN960, VN969-VN970, VR461-VR461, VS051-VS052, VS131-VS132, VS176-VS177, VS261-VS262, VS268-VS268 |
| PD1 | | D10062 | 44 | | 73-21-18 | D10062 | 52 | | | 2 | DAW-B2 | VE085-VE100, VE171-VE180, VF061-VF110, VF161-VF170, VK055-VK080, VK161-VK180, VL011-VL040, VL796-VL810, VL931-VL940, VN171-VN190, VN211-VN230, VN241-VN290, VN371-VN420, VN491-VN545, VN551-VN633, VN671-VN675, VN681-VN730, VN931-VN950, VN966-VN968, VN971-VN990, VR421-VR421, VR471-VR471, VS061-VS061, VS066-VS070, VS073-VS073, VS091-VS094, VS206-VS207, VS266-VS267 |

286T1114-101
Wire Bundle Assembly
Figure 117 (Sheet 2)

25-71-01

| WIRE | | FROM EQUIPMENT | | | TO EQUIPMENT | | | WIRE INFO | | | | |
|--------|--------|----------------|------|----|--------------|--------|------|-----------|---------|----|--------|---|
| NUMBER | GA TYP | NUMBER | TERM | TT | WDM REF | NUMBER | TERM | TT | EMC/SEP | FT | NOTES | EFFECTIVITY |
| PD1 | | D10062 | 19 | | 73-21-18 | D10062 | 58 | | | 3 | DAW-B2 | VK131-VK140 |
| PD1 | | D13600 | 44 | | 73-21-18 | D13600 | 19 | | | 2 | DAW-B2 | VL871-VL880 |
| PE1 | | D10064 | 44 | | 73-21-18 | D10064 | 58 | | | 2 | DAW-B2 | VA001-VA001, VA021-VA300, VA706-VA800, VA811-VA999, VB003-VB050, VB203-VB250, VB283-VB320, VB371-VB400, VB421-VB440, VB451-VE084, VK001-VK011, VK021-VK030 |
| PE1 | | D10064 | 19 | | 73-21-18 | D10064 | 52 | | | 2 | DAW-B2 | VA311-VA500, VA509-VA700, VB055-VB100, VB107-VB200, VB234-VB280, VB322-VB330, VB401-VB410, VE101-VE170, VF001-VF010, VF021-VF060, VK031-VK054, VL001-VL010, VN001-VN050, VN301-VN340, VS196-VS199 |
| PE1 | | D10064 | 19 | | 73-21-18 | D10064 | 58 | | | 2 | DAW-B2 | VB331-VB370, VB441-VB450, VF171-VF180, VF251-VF260, VK012-VK020, VK181-VK190, VL751-VL790, VL891-VL930, VN231-VN240, VN421-VN490, VN546-VN550, VN634-VN650, VN791-VN810, VN921-VN930, VN951-VN960, VN969-VN970, VR461-VR461, VS051-VS052, VS131-VS132, VS176-VS177 VS261-VS262, VS268-VS268 |
| PE1 | | D10064 | 44 | | 73-21-18 | D10064 | 52 | | | 2 | DAW-B2 | VE085-VE100, VE171-VE180, VF061-VF110, VF161-VF170, VK055-VK080, VK161-VK180, VL011-VL040, VL796-VL810, VL931-VL940, VN171-VN190, VN211-VN230, VN241-VN290, VN371-VN420, VN491-VN545, VN551-VN633, VN671-VN675, VN681-VN730, VN931-VN950, VN966-VN968, VN971-VN990 VR421-VR421, VR471-VR471, VS061-VS061, VS066-VS070, VS073-VS073, VS091-VS094, VS206-VS207, VS266-VS267 |
| PE1 | | D10064 | 19 | | 73-21-18 | D10064 | 58 | | | 3 | DAW-B2 | VK131-VK140 |
| PE1 | | D13598 | 44 | | 73-21-18 | D13598 | 19 | | | 2 | DAW-B2 | VL871-VL880 |

286T1114-101
Wire Bundle Assembly
Figure 117 (Sheet 3)

25-71-01



BOEING
COMPONENT
MAINTENANCE MANUAL

| WIRE | | FROM EQUIPMENT | | | TO EQUIPMENT | | | WIRE INFO | | |
|--------|--------|----------------|---------|----------|--------------|---------|----------|-----------|-------|---|
| NUMBER | GA TYP | NUMBER | TERM TT | WDM REF | NUMBER | TERM TT | EMC/ SEP | FT | NOTES | EFFECTIVITY |
| 1 | 22 PA | D01882 | 19 | 28-21-12 | D08036J | 6 | | 4 | | VA001-VB410, VB421-VE180, VF001-VF010, VF021-VF110, VF161-VF180, VK001-VK019, VK021-VK080, VK131-VK140, VK161-VK179, VL001-VL040, VL751-VL790, VL796-VL805, VL891-VL909, VL911-VL929, VL931-VL940, VN001-VN050, VN171-VN189, VN211-VN289, VN301-VN340, VN371-VN529, VN531-VN650, VN671-VN675, VN681-VN730, VN791-VN810, VN921-VN949, VN951-VN959, VN966-VN967, VN971-VN990, VR471-VR471, VS196-VS199, VS206-VS207 |
| 1 | 22 PA | D01882 | 19 | 28-21-12 | D08036J | 6 | | 2 | | VF251-VF260, VK020-VK020, VK180-VK190, VL806-VL810, VL871-VL880, VL910-VL910, VL930-VL930, VN190-VN190, VN290-VN290, VN530-VN530, VN950-VN950, VN960-VN960, VN968-VN970, VR421-VR421, VR461-VR461, VS051-VS052, VS061-VS061, VS066-VS070, VS073-VS073, VS091-VS094, VS131-VS132, VS176-VS177, VS261-VS262, VS266-VS268 |
| 2 | 22 PA | D10062 | 16 | 21-51-11 | GDX0005 | D.. 2 | | 4 | | VA001-VB410, VB421-VE180, VF001-VF010, VF021-VF110, VF161-VF180, VK001-VK019, VK021-VK080, VK131-VK140, VK161-VK179, VL001-VL040, VL751-VL790, VL796-VL805, VL891-VL909, VL911-VL929, VL931-VL940, VN001-VN050, VN171-VN189, VN211-VN289, VN301-VN340, VN371-VN529, VN531-VN650, VN671-VN675, VN681-VN730, VN791-VN810, VN921-VN949, VN951-VN959, VN966-VN967, VN971-VN990, VR471-VR471, VS196-VS199, VS206-VS207 |
| 2 | 22 PA | D10062 | 16 | 21-51-11 | GDX0005 | D.. 2 | | 2 | | VF251-VF260, VK020-VK020, VK180-VK190, VL806-VL810, VL910-VL910, VL930-VL930, VN190-VN190, VN290-VN290, VN530-VN530, VN950-VN950, VN960-VN960, VN968-VN970, VR421-VR421, VR461-VR461, VS051-VS052, VS061-VS061, VS066-VS070, VS073-VS073, VS091-VS132, VS176-VS177, VS261-VS262, VS266-VS268 |
| 2 | 22 PA | D13598 | 16 | 21-51-11 | GDX0005 | D.. 2 | | 2 | | VL871-VL880 |

286T1114-101
Wire Bundle Assembly
Figure 117 (Sheet 4)

25-71-01

| WIRE | | FROM EQUIPMENT | | | TO EQUIPMENT | | | WIRE INFO | | |
|--------|--------|----------------|---------|----------|--------------|---------|---------|-----------|-------|---|
| NUMBER | GA TYP | NUMBER | TERM TT | WDM REF | NUMBER | TERM TT | EMC/SEP | FT | NOTES | EFFECTIVITY |
| 3 | 24 PK | D10062 | 26 | 21-51-11 | TB0158Y A005 | BJ | | 4 | | VA001-VB410, VB421-VE180, VF001-VF010, VF021-VF110, VF161-VF180, VK001-VK019, VK021-VK080, VK131-VK140, VK161-VK179, VL001-VL040, VL751-VL790, VL796-VL805, VL891-VL909, VL911-VL929, VL931-VL940, VN001-VN050, VN171-VN189, VN211-VN289, VN301-VN340, VN371-VN529, VN531-VN650, VN671-VN675, VN681-VN730, VN791-VN810, VN921-VN949, VN951-VN959, VN966-VN967, VN971-VN990, VR471-VR471, VS196-VS199, VS206-VS207 |
| 3 | 24 PK | D10062 | 26 | 21-51-11 | TB0158Y A005 | BJ | | 3 | | VF251-VF260, VK020-VK020, VK180-VK190, VL806-VL810, VL910-VL910, VL930-VL930, VN190-VN190, VN290-VN290, VN530-VN530, VN950-VN950, VN960-VN960, VN968-VN970, VR421-VR421, VR461-VR461, VS051-VS052, VS061-VS061, VS066-VS070, VS073-VS073, VS091-VS094, VS131-VS132, VS176-VS177, VS261-VS262, VS266-VS268 |
| 3 | 24 PK | D13598 | 26 | 21-51-11 | TB0158Y A005 | BJ | | 3 | | VL871-VL880 |
| 4 | 24 PK | D10062 | 25 | 21-51-11 | TB0158Y C006 | BJ | | 4 | | VA001-VB410, VB421-VE180, VF001-VF010, VF021-VF110, VF161-VF180, VK001-VK019, VK021-VK080, VK131-VK140, VK161-VK179, VL001-VL040, VL751-VL790, VL796-VL805, VL891-VL909, VL911-VL929, VL931-VL940, VN001-VN050, VN171-VN189, VN211-VN289, VN301-VN340, VN371-VN529, VN531-VN650, VN671-VN675, VN681-VN730, VN791-VN810, VN921-VN949, VN951-VN959, VN966-VN967, VN971-VN990, VR471-VR471, VS196-VS199, VS206-VS207 |
| 4 | 24 PK | D10062 | 25 | 21-51-11 | TB0158Y C006 | BJ | | 3 | | VF251-VF260, VK020-VK020, VK180-VK190, VL806-VL810, VL910-VL910, VL930-VL930, VN190-VN190, VN290-VN290, VN530-VN530, VN950-VN950, VN960-VN960, VN968-VN970, VR421-VR421, VR461-VR461, VS051-VS052, VS061-VS061, VS066-VS070, VS073-VS073, VS091-VS094, VS131-VS132, VS176-VS177, VS261-VS262, VS266-VS268 |
| 4 | 24 PK | D13598 | 25 | 21-51-11 | TB0158Y C006 | BJ | | 3 | | VL871-VL880 |

286T1114-101
Wire Bundle Assembly
Figure 117 (Sheet 5)

25-71-01



BOEING
COMPONENT
MAINTENANCE MANUAL

| WIRE | | FROM EQUIPMENT | | | TO EQUIPMENT | | | WIRE INFO | | |
|--------|--------|----------------|---------|----------|--------------|---------|---------|-----------|-------|---|
| NUMBER | GA TYP | NUMBER | TERM TT | WDM REF | NUMBER | TERM TT | EMC/SEP | FT | NOTES | EFFECTIVITY |
| 5 | 24 PK | D10064 | 26 | 21-51-21 | TB0158Y | C007 BJ | | 4 | | VA001-VB410, VB421-VE180, VF001-VF010, VF021-VF110, VF161-VF180, VK001-VK019, VK021-VK080, VK131-VK140, VK161-VK179, VL001-VL040, VL751-VL790, VL796-VL805, VL891-VL909, VL911-VL929, VL931-VL940, VN001-VN050, VN171-VN189, VN211-VN289, VN301-VN340, VN371-VN529, VN531-VN650, VN671-VN675, VN681-VN730, VN791-VN810, VN921-VN949, VN951-VN959, VN966-VN967, VN971-VN990, VR471-VR471, VS196-VS199, VS206-VS207 |
| 5 | 24 PK | D10064 | 26 | 21-51-21 | TB0158Y | C007 BJ | | 3 | | VF251-VF260, VK020-VK020, VK180-VK190, VL806-VL810, VL910-VL910, VL930-VL930, VN190-VN190, VN290-VN290, VN530-VN530, VN950-VN950, VN960-VN960, VN968-VN970, VR421-VR421, VR461-VR461, VS051-VS052, VS061-VS061, VS066-VS070, VS073-VS073, VS091-VS094, VS131-VS132, VS176-VS177, VS261-VS262, VS266-VS268 |
| 5 | 24 PK | D13600 | 26 | 21-51-21 | TB0158Y | C007 BJ | | 3 | | VL871-VL880 |
| 6 | 24 PK | D10064 | 25 | 21-51-21 | TB0158Y | A008 BJ | | 4 | | VA001-VB410, VB421-VE180, VF001-VF010, VF021-VF110, VF161-VF180, VK001-VK019, VK021-VK080, VK131-VK140, VK161-VK179, VL001-VL040, VL751-VL790, VL796-VL805, VL891-VL909, VL911-VL929, VL931-VL940, VN001-VN050, VN171-VN189, VN211-VN289, VN301-VN340, VN371-VN529, VN531-VN650, VN671-VN675, VN681-VN730, VN791-VN810, VN921-VN949, VN951-VN959, VN966-VN967, VN971-VN990, VR471-VR471, VS196-VS199, VS206-VS207 |
| 6 | 24 PK | D10064 | 25 | 21-51-21 | TB0158Y | A008 BJ | | 3 | | VF251-VF260, VK020-VK020, VK180-VK190, VL806-VL810, VL910-VL910, VL930-VL930, VN190-VN190, VN290-VN290, VN530-VN530, VN950-VN950, VN960-VN960, VN968-VN970, VR421-VR421, VR461-VR461, VS051-VS052, VS061-VS061, VS066-VS070, VS073-VS073, VS091-VS094, VS131-VS132, VS176-VS177, VS261-VS262, VS266-VS268 |
| 6 | 24 PK | D13600 | 25 | 21-51-21 | TB0158Y | A008 BJ | | 3 | | VL871-VL880 |

286T1114-101
Wire Bundle Assembly
Figure 117 (Sheet 6)

25-71-01



COMPONENT
MAINTENANCE MANUAL

| WIRE | | FROM EQUIPMENT | | | TO EQUIPMENT | | | WIRE INFO | | | | | |
|--------|----|----------------|--------|------|--------------|----------|---------|-----------|----|-------------|----|-------|--|
| NUMBER | GA | TYP | NUMBER | TERM | TT | WDM REF | NUMBER | TERM | TT | EMC/ SEP | FT | NOTES | EFFECTIVITY |
| 7 | 22 | PA | D10064 | 16 | | 21-51-21 | GDX0005 | D.. | 2 | | 4 | | VA001-VB410, VB421-VE180, VF001-VF010, VF021-VF110, VF161-VF180, VK001-VK019, VK021-VK080, VK131-VK140, VK161-VK179, VL001-VL040, VL751-VL790, VL796-VL805, VL891-VL909, VL911-VL929, VL931-VL940, VN001-VN050, VNI71-VNI189, VN211-VN289, VN301-VN340, VN371-VN529, VNS31-VN650, VN671-VN675, VN681-VN730, VN791-VN810, VN921-VN949, VN951-VN959, VN966-VN967, VN971-VN990, VR471-VR471, VS196-VS199, VS206-VS207 |
| 7 | 22 | PA | D10064 | 16 | | 21-51-21 | GDX0005 | D.. | 2 | | 2 | | VF251-VF260, VK020-VK020, VK180-VK190, VL806-VL810, VL910-VL910, VL930-VL930, VNI90-VNI90, VN290-VN290, VNS30-VNS30, VN950-VN950, VN960-VN960, VN968-VN970, VR421-VR421, VR461-VR461, VS051-VS052, VS061-VS061, VS066-VS070, VS073-VS073, VS091-VS094, VS131-VS132 VSI76-VSI177, VS261-VS262, VS266-VS268 |
| 7 | 22 | PA | D13600 | 16 | | 21-51-21 | GDX0005 | D.. | 2 | | 2 | | VL871-VL880 |
| 8 | 22 | PA | D01882 | 3 | | 28-21-12 | D08036J | 5 | | | 4 | | VA001-VB410, VB421-VE180, VF001-VF010, VF021-VF110, VF161-VF180, VK001-VK019, VK021-VK080, VK131-VK140, VK161-VK179, VL001-VL040, VL751-VL790, VL796-VL805, VL891-VL909, VL911-VL929, VL931-VL940, VN001-VN050, VNI71-VNI189, VN211-VN289, VN301-VN340, VN371-VN529, VNS31-VN650, VN671-VN675, VN681-VN730, VN791-VN810, VN921-VN949, VN951-VN959, VN966-VN967, VN971-VN990, VR471-VR471, VS196-VS199, VS206-VS207 |
| 8 | 22 | PA | D01882 | 3 | | 28-21-12 | D08036J | 5 | | | 2 | | VF251-VF260, VK020-VK020, VK180-VK190, VL806-VL810, VL871-VL880, VL910-VL910, VL930-VL930, VNI90-VNI90, VN290-VN290, VNS30-VNS30, VN950-VN950, VN960-VN960, VN968-VN970, VR421-VR421, VR461-VR461, VS051-VS052, VS061-VS061, VS066-VS070, VS073-VS073, VS091-VS094 VS131-VS132, VSI76-VSI177, VS261-VS262, VS266-VS268 |

286T1114-101
Wire Bundle Assembly
Figure 117 (Sheet 7)

25-71-01



BOEING
COMPONENT
MAINTENANCE MANUAL

| WIRE | | FROM EQUIPMENT | | | TO EQUIPMENT | | | WIRE INFO | | | | | |
|--------|----|----------------|--------|------|--------------|----------|---------|-----------|----|---------|----|--------|---|
| NUMBER | GA | TYP | NUMBER | TERM | TT | WDM REF | NUMBER | TERM | TT | EMC/SEP | FT | NOTES | EFFECTIVITY |
| 9 | 22 | PA | D01882 | 6 | | 28-21-12 | D08036J | 4 | | | 4 | | VA001-VB410, VB421-VE180, VF001-VF010, VF021-VF110, VF161-VF180, VK001-VK019, VK021-VK080, VK131-VK140, VK161-VK179, VL001-VL040, VL751-VL790, VL796-VL805, VL891-VL909, VL911-VL929, VL931-VL940, VN001-VN050, VN171-VN189, VN211-VN289, VN301-VN340, VN371-VN529, VN531-VN650, VN671-VN675, VN681-VN730, VN791-VN810, VN921-VN949, VN951-VN959, VN966-VN967, VN971-VN990, VR471-VR471, VS196-VS199, VS206-VS207 |
| 9 | 22 | PA | D01882 | 6 | | 28-21-12 | D08036J | 4 | | | 2 | | VF251-VF260, VK020-VK020, VK180-VK190, VL806-VL810, VL871-VL880, VL910-VL910, VL930-VL930, VN190-VN190, VN290-VN290, VN530-VN530, VN950-VN950, VN960-VN960, VN968-VN970, VR421-VR421, VR461-VR461, VS051-VS052, VS061-VS061, VS066-VS070, VS073-VS073, VS091-VS094, VS131-VS132, VS176-VS177, VS261-VS262, VS266-VS268 |
| 10 | 22 | PA | D01882 | 5 | | 28-21-12 | GDX0003 | D.. | 2 | | 4 | EAB-T6 | VA001-VB410, VB421-VE180, VF001-VF010, VF021-VF110, VF161-VF180, VK001-VK019, VK021-VK080, VK131-VK140, VK161-VK179, VL001-VL040, VL751-VL790, VL796-VL805, VL891-VL909, VL911-VL929, VL931-VL940, VN001-VN050, VN171-VN189, VN211-VN289, VN301-VN340, VN371-VN529, VN531-VN650, VN671-VN675, VN681-VN730, VN791-VN810, VN921-VN949, VN951-VN959, VN966-VN967, VN971-VN990, VR471-VR471, VS196-VS199, VS206-VS207 |
| 10 | 22 | PA | D01882 | 5 | | 28-21-12 | GDX0003 | D.. | 2 | | 2 | EAB-T6 | VF251-VF260, VK020-VK020, VK180-VK190, VL806-VL810, VL871-VL880, VL910-VL910, VL930-VL930, VN190-VN190, VN290-VN290, VN530-VN530, VN950-VN950, VN960-VN960, VN968-VN970, VR421-VR421, VR461-VR461, VS051-VS052, VS061-VS061, VS066-VS070, VS073-VS073, VS091-VS094, VS131-VS132, VS176-VS177, VS261-VS262, VS266-VS268 |

286T1114-101
Wire Bundle Assembly
Figure 117 (Sheet 8)

25-71-01

| WIRE | | FROM EQUIPMENT | | | TO EQUIPMENT | | | WIRE INFO | | | | | |
|--------|----|----------------|--------|------|--------------|----------|---------|-----------|----|-------------|----|--------|--|
| NUMBER | GA | TYP | NUMBER | TERM | TT | WDM REF | NUMBER | TERM | TT | EMC/ SEP | FT | NOTES | EFFECTIVITY |
| 11 | 22 | PA | D10062 | 49 | | 21-58-11 | GDX0004 | D.. | 2 | | 4 | | VA001-VE100, VB102-VB410, VB421-VE180, VF001-VF010, VF021-VF110, VF161-VF180, VK001-VK019, VK021-VK080, VK131-VK140, VK161-VK179, VL001-VL040, VL751-VL790, VL796-VL805, VL891-VL909, VL911-VL929, VL931-VL940, VN001-VN050, VN171-VN189, VN211-VN289, VN301-VN340, VN371-VN529, VN531-VN650, VN671-VN675, VN681-VN730, VN791-VN810, VN921-VN949, VN951-VN959, VN966-VN967, VN971-VN990, VR471-VR471, VS196-VS199, VS206-VS207 |
| 11 | 24 | PK | D10062 | 49 | | 21-58-11 | GDX0004 | D.. | 2 | | 4 | ZSZ-B6 | VB101-VE101 |
| 11 | 22 | PA | D10062 | 49 | | 21-58-11 | GDX0004 | D.. | 2 | | 2 | | VF251-VF260, VK020-VK020, VK180-VK190, VL806-VL810, VL910-VL910, VL930-VL930, VN190-VN190, VN290-VN290, VN530-VN530, VN950-VN950, VN960-VN960, VN968-VN970, VR421-VR421, VR461-VR461, VS051-VS052, VS061-VS061, VS066-VS070, VS073-VS073, VS091-VS094, VS131-VS132, VS176-VS177, VS261-VS262, VS266-VS268 |
| 11 | 22 | PA | D13598 | 49 | | 21-58-11 | GDX0004 | D.. | 2 | | 2 | | VL871-VL880 |
| 12 | 24 | PK | D10062 | 56 | | 21-58-11 | D10064 | 56 | | | 4 | | VA001-VB410, VB421-VE020, VE024-VE180, VF001-VF010, VF021-VF050, VF061-VF090, VF101-VF110, VF161-VF180, VK001-VK019, VK021-VK080, VK171-VK179, VL001-VL001, VL011-VL040, VL796-VL805, VL931-VL940, VN001-VN050, VN171-VN189, VN221-VN230, VN241-VN289, VN371-VN470, VN546-VN550, VN631-VN650, VN671-VN675, VN681-VN730, VN931-VN949, VN966-VN967, VN971-VN990, VR471-VR471, VS196-VS199, VS206-VS207 |
| 12 | 24 | PK | D10062 | 56 | | 21-58-11 | TB0248X | A002 | BJ | | 4 | | VE021-VE023 |
| 12 | 24 | PK | D10062 | 56 | | 21-58-11 | TB0248Y | A013 | BJ | | 4 | | VF051-VF060, VK131-VK140, VL002-VL010 |
| 12 | 24 | PK | D10062 | 56 | | 21-58-11 | TB0248Y | A010 | BJ | | 4 | | VF091-VF100, VN211-VN220, VN531-VN545, VN551-VN630 |

286T1114-101
Wire Bundle Assembly
Figure 117 (Sheet 9)

25-71-01



BOEING
COMPONENT
MAINTENANCE MANUAL

| WIRES | | FROM EQUIPMENT | | | TO EQUIPMENT | | | WIRE INFO | | | | | |
|--------|----|----------------|---------|------|--------------|----------|---------|-----------|----|---------|----|-------|---|
| NUMBER | GA | TYP | NUMBER | TERM | TT | WDM REF | NUMBER | TERM | TT | EMC/SEP | FT | NOTES | EFFECTIVITY |
| 12 | 24 | PK | D10062 | 56 | | 21-58-11 | D10064 | 56 | | | 1 | | VF251-VF260, VK020-VK020, VK180-VK190, VL806-VL810, VL910-VL910, VL930-VL930, VN190-VN190, VN290-VN290, VN950-VN950, VN960-VN960, VN968-VN970, VR421-VR421, VR461-VR461, VS051-VS052, VS061-VS061, VS066-VS070, VS073-VS073, VS091-VS094, VS131-VS132, VS176-VS177 VS261-VS262, VS266-VS268 |
| 12 | 24 | PK | D10062 | 56 | | 21-58-11 | D10064 | 56 | | | 3 | | VK161-VK170, VL751-VL790, VL891-VL909, VL911-VL929, VN231-VN240, VN301-VN340, VN471-VN490, VN791-VN810, VN921-VN930, VN951-VN959 |
| 12 | 24 | PK | D13598 | 56 | | 21-58-11 | D13600 | 56 | | | 1 | | VL871-VL880 |
| 12 | 24 | PK | D10062 | 56 | | 21-58-11 | TB0248Y | C015 | BJ | | 4 | | VN491-VN529 |
| 12 | 24 | PK | D10062 | 56 | | 21-58-11 | TB0248Y | C015 | BJ | | 3 | | VN530-VN530 |
| 13 | 22 | PA | TB0182D | A025 | 2 | 27-41-11 | D04885J | 1 | | | 3 | | VA001-VA020, VA701-VA712, VB001-VB002, VB051-VB055, VB201-VB202, VB301-VB302, VE001-VE002 |
| 13 | 22 | PA | TB0182D | A025 | 2 | 22-24-11 | D04885J | 1 | | | 3 | | VA021-VA700, VA713-VA999, VB003-VB050, VB056-VB200, VB203-VB300, VB303-VB410, VB421-VD999, VE003-VE180, VF001-VF010, VF021-VF110, VF161-VF180, VK001-VK019, VK021-VK080, VK131-VK140, VK161-VK179, VL001-VL040, VL751-VL790, VL796-VL805, VL911-VL929, VL931-VL940 VN001-VN050, VN171-VN189, VN211-VN289, VN301-VN340, VN371-VN529, VN531-VN650, VN671-VN675, VN681-VN730, VN791-VN810, VN921-VN949, VN951-VN959, VN966-VN967, VN971-VN990, VR471-VR471, VS196-VS199, VS206-VS207 |
| 13 | 22 | PA | TB0182D | A025 | 2 | 22-24-11 | D04885J | 1 | | | 2 | | VF251-VF260, VK020-VK020, VK180-VK190, VL806-VL810, VL871-VL880, VL930-VL930, VN190-VN190, VN290-VN290, VN330-VN330, VN950-VN950, VN960-VN960, VN968-VN970, VR421-VR421, VR461-VR461, VS051-VS052, VS061-VS061, VS066-VS070, VS073-VS073, VS091-VS094, VS131-VS132, VS176-VS177, VS261-VS262, VS266-VS268 |
| 13 | 22 | PA | TB0182D | A025 | 2 | 22-24-11 | D04885J | 1 | | | 3 | | VL891-VL909 |
| 13 | 22 | PA | TB0182D | A025 | 2 | 22-24-11 | D04885J | 1 | | | 2 | | VL910-VL910 |

286T1114-101
Wire Bundle Assembly
Figure 117 (Sheet 10)

25-71-01

| WIRE | | FROM EQUIPMENT | | TO EQUIPMENT | | WIRE INFO | | | |
|--------|--------|----------------|---------|--------------|---------|-----------|----|-------|---|
| NUMBER | GA TYP | NUMBER | TERM TT | NUMBER | TERM TT | EMC/SEP | FT | NOTES | EFFECTIVITY |
| 14 | 24 PK | D02674 | 22 | D04885J | 6 | | 4 | | VA001-VB410, VB421-VE180, VF001-VF010, VF021-VF110, VF161-VF180, VK001-VK019, VK021-VK080, VK131-VK140, VK161-VK179, VL001-VL040, VL751-VL790, VL796-VL805, VL891-VL909, VL911-VL929, VL931-VL940, VM001-VM050, VM171-VM189, VM211-VM289, VM301-VM340, VM371-VM529, VM531-VM650, VM671-VM675, VM681-VM730, VM791-VM810, VM921-VM949, VM951-VM959, VM966-VM967, VM971-VM990, VR471-VR471, VS196-VS199, VS206-VS207 |
| 14 | 24 PK | D02674 | 22 | D04885J | 6 | | 2 | | VF251-VF260, VK020-VK020, VK180-VK190, VL806-VL810, VL871-VL880, VL910-VL910, VL930-VL930, VM190-VM190, VM290-VM290, VM530-VM530, VM950-VM950, VM960-VM960, VM968-VM970, VR421-VR421, VR461-VR461, VS051-VS052, VS061-VS061, VS066-VS070, VS073-VS073, VS091-VS094, VS131-VS132, VS176-VS177, VS261-VS262, VS266-VS268 |
| 15 | 24 PK | D02674 | 23 | D04885J | 7 | | 4 | | VA001-VB410, VB421-VE180, VF001-VF010, VF021-VF110, VF161-VF180, VK001-VK019, VK021-VK080, VK131-VK140, VK161-VK179, VL001-VL040, VL751-VL790, VL796-VL805, VL891-VL909, VL911-VL929, VL931-VL940, VM001-VM050, VM171-VM189, VM211-VM289, VM301-VM340, VM371-VM529, VM531-VM650, VM671-VM675, VM681-VM730, VM791-VM810, VM921-VM949, VM951-VM959, VM966-VM967, VM971-VM990, VR471-VR471, VS196-VS199, VS206-VS207 |
| 15 | 24 PK | D02674 | 23 | D04885J | 7 | | 2 | | VF251-VF260, VK020-VK020, VK180-VK190, VL806-VL810, VL871-VL880, VL910-VL910, VL930-VL930, VM190-VM190, VM290-VM290, VM530-VM530, VM950-VM950, VM960-VM960, VM968-VM970, VR421-VR421, VR461-VR461, VS051-VS052, VS061-VS061, VS066-VS070, VS073-VS073, VS091-VS094, VS131-VS132, VS176-VS177, VS261-VS262, VS266-VS268 |

 286T1114-101
 Wire Bundle Assembly
 Figure 117 (Sheet 11)

25-71-01

 TESTING & FAULT ISOLATION
 01 Page 148J
 Nov 01/02



BOEING
COMPONENT
MAINTENANCE MANUAL

| WIRES | | FROM EQUIPMENT | | | TO EQUIPMENT | | | WIRE INFO | | | | | |
|--------|----|----------------|---------|------|--------------|----------|---------|-----------|----|---------|----|-------|---|
| NUMBER | GA | TYP | NUMBER | TERM | TT | WDM REF | NUMBER | TERM | TT | EMC/SEP | FT | NOTES | EFFECTIVITY |
| 16 | 24 | PK | TB0248X | A002 | BJ | 21-58-11 | D10064 | 49 | | | 4 | | VA001-VB410, VB421-VE180, VF001-VF010, VF021-VF050, VF061-VF090, VF101-VF110, VF161-VF180, VK001-VK019, VK021-VK080, VK161-VK179, VL001-VL001, VL011-VL040, VL751-VL790, VL796-VL805, VL891-VL909, VL911-VL929, VL931-VL940, VN001-VN050, VN171-VN189, VN221-VN289, VN301-VN340, VN371-VN490, VN546-VN550, VN631-VN650, VN671-VN675, VN681-VN730, VN791-VN810, VN921-VN949, VN951-VN959, VN966-VN967, VN971-VN990, VRA71-VRA471, VS196-VS199, VS206-VS207 |
| 16 | 24 | PK | TB0248Y | A013 | BJ | 21-58-11 | D10064 | 49 | | | 4 | | VF051-VF060, VK131-VK140, VL002-VL010 |
| 16 | 24 | PK | TB0248Y | A010 | BJ | 21-58-11 | D10064 | 49 | | | 4 | | VF091-VF100, VN211-VN220, VN531-VN545, VN551-VN630 |
| 16 | 24 | PK | TB0248X | A002 | BJ | 21-58-11 | D10064 | 49 | | | 3 | | VF251-VF260, VK020-VK020, VK180-VK190, VL806-VL810, VL910-VL910, VL930-VL930, VN190-VN190, VN290-VN290, VN950-VN950, VN960-VN960, VN968-VN970, VRA421-VRA421, VRA461-VRA461, VS051-VS052, VS061-VS061, VS066-VS070, VS073-VS073, VS131-VS132, VS176-VS177, VS261-VS262, VS266-VS268 |
| 16 | 24 | PK | TB0248X | A002 | BJ | 21-58-11 | D13600 | 49 | | | 3 | | VL871-VL880 |
| 16 | 24 | PK | TB0248Y | C015 | BJ | 21-58-11 | D10064 | 49 | | | 4 | | VN491-VN529 |
| 16 | 24 | PK | TB0248Y | C015 | BJ | 21-58-11 | D10064 | 49 | | | 3 | | VN530-VN530 |
| 16 | 24 | PK | TB0248X | A2 | BJ | 21-58-11 | D10064 | 49 | | | 3 | | VS091-VS094 |
| 17 | 22 | PA | D02674 | 8 | | 27-58-21 | GDX0003 | A.. | 2 | | 4 | | VA001-VB410, VB421-VE180, VF001-VF010, VF021-VF110, VF161-VF180, VK001-VK019, VK021-VK080, VK131-VK140, VK161-VK179, VL001-VL040, VL751-VL790, VL796-VL805, VL891-VL909, VL911-VL929, VL931-VL940, VN001-VN050, VN171-VN189, VN211-VN289, VN301-VN340, VN371-VN529, VN531-VN650, VN671-VN675, VN681-VN730, VN791-VN810, VN921-VN949, VN951-VN959, VN966-VN967, VN971-VN990, VRA471-VRA471, VS196-VS199, VS206-VS207 |

286T1114-101
Wire Bundle Assembly
Figure 117 (Sheet 12)

25-71-01

| WIRE | | FROM EQUIPMENT | | | TO EQUIPMENT | | | WIRE INFO | | |
|--------|--------|----------------|---------|----------|--------------|---------|---------|-----------|-------|--|
| NUMBER | GA TYP | NUMBER | TERM TT | WDM REF | NUMBER | TERM TT | EMC/SEP | FT | NOTES | EFFECTIVITY |
| 17 | 22 PA | D02674 | 8 | 27-58-21 | GDX0003 | A.. 2 | | 2 | | VF251-VF260, VK020-VK020, VK180-VK190, VL806-VL810, VL871-VL880, VL910-VL910, VL930-VL930, VN190-VN190, VN290-VN290, VN530-VN530, VN950-VN950, VN960-VN960, VN968-VN970, VR421-VR421, VR461-VR461, VS051-VS052, VS061-VS061, VS066-VS070, VS073-VS073, VS091-VS094 VS131-VS132, VS176-VS177, VS261-VS262, VS266-VS268 |
| 18 | 22 PA | D10064 | 17 | 36-11-51 | GDX0004 | D.. 2 | | 3 | | VA002-VB410, VB421-VE180, VF001-VF010, VF021-VF110, VF161-VF180, VK001-VK019, VK021-VK080, VK131-VK140, VK161-VK179, VL001-VL040, VL751-VL790, VL796-VL805, VL891-VL909, VL911-VL929, VL931-VL940, VN001-VN050, VNI71-VNI89, VN211-VN289, VN301-VN340, VN371-VN529 VS531-VN650, VN671-VN675, VN681-VN730, VN791-VN810, VN921-VN949, VN951-VN959, VN966-VN967, VN971-VN990, VR471-VR471, VS196-VS199, VS206-VS207 |
| 18 | 22 PA | D10064 | 17 | 36-11-51 | GDX0004 | D.. 2 | | 2 | | VF251-VF260, VK020-VK020, VK180-VK190, VL806-VL810, VL910-VL910, VL930-VL930, VN190-VN190, VN290-VN290, VN530-VN530, VN950-VN950, VN960-VN968-VN970, VR421-VR421, VR461-VR461, VS051-VS052, VS061-VS061, VS066-VS070, VS073-VS073, VS091-VS094, VS131-VS132 VS176-VS177, VS261-VS262, VS266-VS268 |
| 18 | 22 PA | D13600 | 61 | 36-11-51 | GDX0004 | D.. 2 | | 2 | | VL871-VL880 |
| 19 | 22 PA | D02674 | 7 | 27-58-21 | D08028J | 1 | | 4 | | VA001-VB410, VB421-VE180, VF001-VF010, VF021-VF110, VF161-VF180, VK001-VK019, VK021-VK080, VK131-VK140, VK161-VK179, VL001-VL040, VL751-VL790, VL796-VL805, VL891-VL909, VL911-VL929, VL931-VL940, VN001-VN050, VNI71-VNI89, VN211-VN289, VN301-VN340, VN371-VN529 VS531-VN650, VN671-VN675, VN681-VN730, VN791-VN810, VN921-VN949, VN951-VN959, VN966-VN967, VN971-VN990, VR471-VR471, VS196-VS199, VS206-VS207 |

286T1114-101
Wire Bundle Assembly
Figure 117 (Sheet 13)

25-71-01



BOEING
COMPONENT
MAINTENANCE MANUAL

| WIRE | | FROM EQUIPMENT | | | TO EQUIPMENT | | | WIRE INFO | | |
|--------|--------|----------------|---------|----------|--------------|---------|----------|-----------|--------|---|
| NUMBER | GA TYP | NUMBER | TERM TT | WDM REF | NUMBER | TERM TT | EMC/ SEP | FT | NOTES | EFFECTIVITY |
| 19 | 22 PA | D02674 | 7 | 27-58-21 | D08028J | 1 | | 2 | | VF251-VF260, VK020-VK020, VK180-VK190, VL806-VL810, VL871-VL880, VL910-VL910, VL930-VL930, VN190-VN190, VN290-VN290, VN530-VN530, VN950-VN950, VN960-VN960, VN968-VN970, VR421-VR421, VR461-VR461, VS051-VS052, VS061-VS061, VS066-VS070, VS073-VS073, VS091-VS094, VS131-VS132, VS176-VS177, VS261-VS262, VS266-VS268 |
| 20 | 22 PQ | D01882 | 9 | 28-21-12 | D08038J | 11 | | 4 | JAB-T6 | VA001-VB410, VB421-VE180, VF001-VF010, VF021-VF110, VF161-VF180, VK001-VK019, VK021-VK080, VK131-VK140, VK161-VK179, VL001-VL040, VL751-VL790, VL796-VL805, VL891-VL909, VL911-VL929, VL931-VL940, VN001-VN050, VN171-VN189, VN211-VN289, VN301-VN340, VN371-VN529, VN531-VN650, VN671-VN675, VN681-VN730, VN791-VN810, VN921-VN949, VN951-VN959, VN966-VN967, VN971-VN990, VR471-VR471, VS196-VS199, VS206-VS207 |
| 20 | 22 PQ | D01882 | 9 | 28-21-12 | D08038J | 11 | | 2 | JAB-T6 | VF251-VF260, VK020-VK020, VK180-VK190, VL806-VL810, VL871-VL880, VL910-VL910, VL930-VL930, VN190-VN190, VN290-VN290, VN530-VN530, VN950-VN950, VN960-VN960, VN968-VN970, VR421-VR421, VR461-VR461, VS051-VS052, VS061-VS061, VS066-VS070, VS073-VS073, VS091-VS094, VS131-VS132, VS176-VS177, VS261-VS262, VS266-VS268 |
| 020Z | 22 PQ | D01882 | 8 | 28-21-12 | D08038J | 6 | | 4 | JAB-T6 | VA001-VB410, VB421-VE180, VF001-VF010, VF021-VF110, VF161-VF180, VK001-VK019, VK021-VK080, VK131-VK140, VK161-VK179, VL001-VL040, VL751-VL790, VL796-VL805, VL891-VL909, VL911-VL929, VL931-VL940, VN001-VN050, VN171-VN189, VN211-VN289, VN301-VN340, VN371-VN529, VN531-VN650, VN671-VN675, VN681-VN730, VN791-VN810, VN921-VN949, VN951-VN959, VN966-VN967, VN971-VN990, VR471-VR471, VS196-VS199, VS206-VS207 |

286T1114-101
Wire Bundle Assembly
Figure 117 (Sheet 14)

25-71-01

| WIRES | | FROM EQUIPMENT | | | TO EQUIPMENT | | | WIRE INFO | | | | | |
|--------|----|----------------|--------|------|--------------|----------|---------|-----------|----|---------|----|--------|--|
| NUMBER | GA | TYP | NUMBER | TERM | TT | WDM REF | NUMBER | TERM | TT | EMC/SEP | FT | NOTES | EFFECTIVITY |
| 21 | 22 | PQ | D01882 | 16 | | 28-21-12 | D08038J | 6 | | | 2 | JAB-T6 | VF251-VF260, VK020-VK020, VK180-VK190, VL806-VL810, VL871-VL880, VL910-VL910, VL930-VL930, VN190-VN190, VN290-VN290, VN530-VN530, VN950-VN950, VN960-VN960, VN968-VN970, VR421-VR421, VR461-VR461, VS051-VS052, VS061-VS061, VS066-VS070, VS073-VS073, VS091-VS094 VS131-VS132, VS176-VS177, VS261-VS262, VS266-VS268 |
| 021Z | | | D01882 | 17 | | 28-21-12 | D08038J | 5 | | | 4 | | VA001-VB410, VB421-VE180, VF001-VF010, VF021-VF110, VF161-VF180, VK001-VK019, VK021-VK080, VK131-VK140, VK161-VK179, VL001-VL040, VL751-VL790, VL796-VL805, VL891-VL909, VL911-VL929, VL931-VL940, VN001-VN050, VN171-VN189, VN211-VN289, VN301-VN340, VN371-VN529 VN531-VN650, VN671-VN675, VN681-VN730, VN791-VN810, VN921-VN949, VN951-VN959, VN966-VN967, VN971-VN990, VR471-VR471, VS196-VS199, VS206-VS207 |
| 22 | 24 | PK | D02674 | 38 | | 22-12-31 | D04885J | 8 | | | 2 | | VF251-VF260, VK020-VK020, VK180-VK190, VL806-VL810, VL871-VL880, VL910-VL910, VL930-VL930, VN190-VN190, VN290-VN290, VN530-VN530, VN950-VN950, VN960-VN960, VN968-VN970, VR421-VR421, VR461-VR461, VS051-VS052, VS061-VS061, VS066-VS070, VS073-VS073, VS091-VS094 VS131-VS132, VS176-VS177, VS261-VS262, VS266-VS268 |
| 23 | 24 | PK | D02674 | 39 | | 22-12-31 | D04885J | 9 | | | 4 | | VA001-VB410, VB421-VE180, VF001-VF010, VF021-VF110, VF161-VF180, VK001-VK019, VK021-VK080, VK131-VK140, VK161-VK179, VL001-VL040, VL751-VL790, VL796-VL805, VL891-VL909, VL911-VL929, VL931-VL940, VN001-VN050, VN171-VN189, VN211-VN289, VN301-VN340, VN371-VN529 VN531-VN650, VN671-VN675, VN681-VN730, VN791-VN810, VN921-VN949, VN951-VN959, VN966-VN967, VN971-VN990, VR471-VR471, VS196-VS199, VS206-VS207 |

 286T1114-101
 Wire Bundle Assembly
 Figure 117 (Sheet 15)

25-71-01



BOEING
COMPONENT
MAINTENANCE MANUAL

| WIRE | | FROM EQUIPMENT | | | TO EQUIPMENT | | | WIRE INFO | | | | | |
|--------|----|----------------|--------|------|--------------|----------|---------|-----------|----|---------|----|--------|--|
| NUMBER | GA | TYP | NUMBER | TERM | TT | WDM REF | NUMBER | TERM | TT | EMC/SEP | FT | NOTES | EFFECTIVITY |
| 23 | 24 | PK | D02674 | 39 | | 22-12-31 | D04885J | 9 | | | 2 | | VF251-VF260, VK020-VK020, VK180-VK190, VL806-VL810, VL871-VL880, VL910-VL910, VL930-VL930, VN190-VN190, VN290-VN290, VN530-VN530, VN950-VN950, VN960-VN960, VN968-VN970, VR421-VR421, VR461-VR461, VS051-VS052, VS061-VS061, VS066-VS070, VS073-VS073, VS091-VS094 VS131-VS132, VS176-VS177, VS261-VS262, VS266-VS268 |
| 24 | 22 | PQ | D01882 | 12 | | 28-21-12 | D08038J | 8 | | | 4 | JAB-T6 | VA001-VB410, VB421-VE180, VF001-VF010, VF021-VF110, VF161-VF180, VK001-VK019, VK021-VK080, VK131-VK140, VK161-VK179, VL001-VL040, VL751-VL790, VL796-VL805, VL891-VL909, VL911-VL929, VL931-VL940, VN001-VN050, VN171-VN189, VN211-VN289, VN301-VN340, VN371-VN529 VN531-VN650, VN671-VN675, VN681-VN730, VN791-VN810, VN921-VN949, VN951-VN959, VN966-VN967, VN971-VN990, VR471-VR471, VS196-VS199, VS206-VS207 |
| 24 | 22 | PQ | D01882 | 12 | | 28-21-12 | D08038J | 8 | | | 2 | JAB-T6 | VF251-VF260, VK020-VK020, VK180-VK190, VL806-VL810, VL871-VL880, VL910-VL910, VL930-VL930, VN190-VN190, VN290-VN290, VN530-VN530, VN950-VN950, VN960-VN960, VR421-VR421, VR461-VR461, VS051-VS052, VS061-VS061, VS066-VS070, VS073-VS073, VS091-VS094, VS176-VS177 VS261-VS262, VS266-VS268 |
| 24 | 22 | PQ | D01882 | 12 | | 28-21-12 | D08038J | 8 | | | 4 | JAB-T2 | VN968-VN970, VS131-VS132 |
| 024Z | 25 | PQ | D01882 | 13 | | 28-21-12 | D08038J | 4 | | | 4 | JAB-T6 | VA001-VB410, VB421-VE180, VF001-VF010, VF021-VF110, VF161-VF180, VK001-VK019, VK021-VK080, VK131-VK140, VK161-VK179, VL001-VL040, VL751-VL790, VL796-VL805, VL891-VL909, VL911-VL929, VL931-VL940, VN001-VN050, VN171-VN189, VN211-VN289, VN301-VN340, VN371-VN529 VN531-VN650, VN671-VN675, VN681-VN730, VN791-VN810, VN921-VN949, VN951-VN959, VN966-VN967, VN971-VN990, VR471-VR471, VS196-VS199, VS206-VS207 |

286T1114-101
Wire Bundle Assembly
Figure 117 (Sheet 16)

25-71-01

| WIRE | | FROM EQUIPMENT | | | TO EQUIPMENT | | | WIRE INFO | | |
|--------|--------|----------------|---------|----------|--------------|---------|---------|-----------|--------|---|
| NUMBER | GA TYP | NUMBER | TERM TT | WDM REF | NUMBER | TERM TT | EMC/SEP | FT | NOTES | EFFECTIVITY |
| 25 | 22 PQ | D01882 | 15 | 28-21-12 | D08038J | 4 | | 2 | JAB-T6 | VF251-VF260, VK020-VK020, VK180-VK190, VL806-VL810, VL871-VL880, VL910-VL910, VL930-VL930, VN190-VN190, VN290-VN290, VN530-VN530, VN950-VN950, VN960-VN960, VN968-VN970, VR421-VR421, VR461-VR461, VS051-VS052, VS061-VS061, VS066-VS070, VS073-VS073, VS091-VS094 VS131-VS132, VS176-VS177, VS261-VS262, VS266-VS268 |
| 025Z | | D01882 | 14 | 28-21-12 | D08038J | 1 | | | | VA001-VB410, VB421-VE180, VF001-VF010, VF021-VF110, VF161-VF180, VK001-VK019, VK021-VK080, VK131-VK140, VK161-VK179, VL001-VL040, VL751-VL790, VL796-VL805, VL891-VL909, VL911-VL929, VL931-VL940, VN001-VN050, VNI71-VNI89, VN211-VN289, VN301-VN340, VN371-VN529, VN531-VN650, VN671-VN675, VN681-VN730, VN791-VN810, VN921-VN949, VN951-VN959, VN966-VN967, VN971-VN990, VR471-VR471, VS196-VS199, VS206-VS207 |
| 26 | 22 PA | D02674 | 43 | 27-58-21 | GDX0003 | D.. 2 | | 2 | | VF251-VF260, VK020-VK020, VK180-VK190, VL806-VL810, VL871-VL880, VL910-VL910, VL930-VL930, VN190-VN190, VN290-VN290, VN530-VN530, VN950-VN950, VN960-VN960, VN968-VN970, VR421-VR421, VR461-VR461, VS051-VS052, VS061-VS061, VS066-VS070, VS073-VS073, VS091-VS094 VS131-VS132, VS176-VS177, VS261-VS262, VS266-VS268 |
| 27 | 24 PK | D02674 | 58 | 27-58-21 | TB0182D | C025 2 | | 4 | | VA001-VB410, VB421-VE180, VF001-VF010, VF021-VF110, VF161-VF180, VK001-VK019, VK021-VK080, VK131-VK140, VK161-VK179, VL001-VL040, VL751-VL790, VL796-VL805, VL891-VL909, VL911-VL929, VL931-VL940, VN001-VN050, VNI71-VNI89, VN211-VN289, VN301-VN340, VN371-VN529, VN531-VN650, VN671-VN675, VN681-VN730, VN791-VN810, VN921-VN949, VN951-VN959, VN966-VN967, VN971-VN990, VR471-VR471, VS196-VS199, VS206-VS207 |

286T1114-101
Wire Bundle Assembly
Figure 117 (Sheet 17)

25-71-01



BOEING
COMPONENT
MAINTENANCE MANUAL

| WIRE | | FROM EQUIPMENT | | | TO EQUIPMENT | | | WIRE INFO | | |
|--------|--------|----------------|---------|----------|--------------|---------|---------|-----------|-------|--|
| NUMBER | GA TYP | NUMBER | TERM TT | WDM REF | NUMBER | TERM TT | EMC/SEP | FT | NOTES | EFFECTIVITY |
| 27 | 24 PK | D02674 | 58 | 27-58-21 | TB0182D | C025 2 | | 3 | | VF251-VF260, VK020-VK020, VK180-VK190, VL806-VL810, VL871-VL880, VL910-VL910, VL930-VL930, VN190-VN190, VN290-VN290, VN530-VN530, VN950-VN950, VN960-VN960, VN968-VN970, VR421-VR421, VR461-VR461, VS051-VS052, VS061-VS061, VS066-VS070, VS073-VS073, VS091-VS094 VS131-VS132, VS176-VS177, VS261-VS262, VS266-VS268 |
| 28 | 22 PA | D10064 | 61 | 36-11-51 | TB0248X | B002 BJ | | 4 | | VA002-VB410, VB421-VE180, VF001-VF010, VF021-VF110, VF161-VF180, VK001-VK019, VK021-VK080, VK131-VK140, VK161-VK179, VL001-VL040, VL751-VL790, VL796-VL805, VL891-VL909, VL911-VL929, VL931-VL940, VM001-VM050, VNI71-VNI89, VN211-VN289, VN301-VN340, VN371-VN529 VNS31-VN650, VN671-VN675, VN681-VN730, VN791-VN810, VN921-VN949, VN951-VN959, VN966-VN967, VN971-VN990, VR471-VR471, VS196-VS199, VS206-VS207 |
| 28 | 22 PA | D10064 | 61 | 36-11-51 | TB0248X | B002 BJ | | 3 | | VF251-VF260, VK020-VK020, VK180-VK190, VL806-VL810, VL910-VL910, VL930-VL930, VN190-VN190, VN290-VN290, VN530-VN530, VN950-VN950, VN960-VN960, VN968-VN970, VR421-VR421, VR461-VR461, VS051-VS052, VS061-VS061, VS066-VS070, VS073-VS073, VS091-VS094, VS131-VS132 VS176-VS177, VS261-VS262, VS266-VS268 |
| 28 | 24 PK | D13600 | 17 | 36-11-51 | TB0248X | B002 BJ | | 3 | | VL871-VL880 |
| 29 | 22 PA | TB0182D | A020 2 | 27-61-11 | D04885J | 5 | | 4 | | VA001-VB410, VB421-VE180, VF001-VF010, VF021-VF110, VF161-VF180, VK001-VK019, VK021-VK080, VK131-VK140, VK161-VK179, VL001-VL040, VL751-VL790, VL796-VL805, VL911-VL929, VL931-VL940, VM001-VN050, VNI71-VNI89, VN211-VN289, VN301-VN340, VN371-VN529, VN531-VN650 VNI71-VN675, VN681-VN730, VN791-VN810, VN921-VN949, VN951-VN959, VN966-VN967, VN971-VN990, VR471-VR471, VS196-VS199, VS206-VS207 |

286T1114-101
Wire Bundle Assembly
Figure 117 (Sheet 18)

25-71-01

| WIRE | | FROM EQUIPMENT | | | TO EQUIPMENT | | | WIRE INFO | | | | | |
|--------|----|----------------|---------|------|--------------|----------|---------|-----------|----|---------|----|-------|---|
| NUMBER | GA | TYP | NUMBER | TERM | TT | WDM REF | NUMBER | TERM | TT | EMC/SEP | FT | NOTES | EFFECTIVITY |
| 29 | 22 | PA | TB0182D | A020 | 2 | 27-61-11 | D04885J | 5 | | | 2 | | VF251-VF260, VK020-VK020, VK180-VK190, VL806-VL810, VL871-VL880, VL930-VL930, VN190-VN190, VN290-VN290, VN530-VN530, VN950-VN950, VN960-VN960, VN968-VN970, VR421-VR421, VR461-VR461, VS051-VS052, VS061-VS061, VS066-VS070, VS073-VS073, VS091-VS094, VS131-VS132, VS176-VS177, VS261-VS262, VS266-VS268 |
| 29 | 22 | PA | TB0182D | A020 | 2 | 27-61-11 | D04885J | 5 | | | 3 | | VL891-VL909 |
| 29 | 22 | PA | TB0182D | A020 | 2 | 27-61-11 | D04885J | 5 | | | 2 | | VL910-VL910 |
| 30 | 20 | UA | D10062 | | | 77-12-12 | GDX0005 | S.. | 2 | | 3 | | VA301-VA700, VB101-VB200, VB251-VB280, VB321-VB370, VB401-VB410, VB441-VB450, VE101-VE170, VF001-VF010, VF021-VF060, VF171-VF180, VK012-VK019, VK031-VK054, VK131-VK140, VL001-VL010, VL751-VL790, VL891-VL909, VL911-VL929, VN001-VN050, VN231-VN240, VN301-VN340, VN421-VN490, VN546-VN550, VN634-VN650, VN791-VN810, VN921-VN930, VN951-VN959, VS073-VS073, VS196-VS199, VS266-VS268 |
| 30 | 22 | PA | D10062 | | | 77-12-12 | GDX0005 | S.. | 2 | | 3 | | VB051-VB100 |
| 30 | 20 | UA | D10062 | | | 77-12-12 | GDX0005 | S.. | 2 | | 2 | | VF251-VF260, VK020-VK020, VK181-VK190, VL910-VL910, VL930-VL930, VN960-VN960, VN968-VN970, VR461-VR461, VS051-VS052, VS131-VS132, VS176-VS177, VS261-VS262 |
| 31 | 20 | UA | D10062 | | | 77-12-12 | GDX0005 | S.. | 2 | | 3 | | VA301-VA700, VB101-VB200, VB251-VB280, VB321-VB370, VB401-VB410, VB441-VB450, VE101-VE170, VF001-VF010, VF021-VF060, VF171-VF180, VK012-VK019, VK031-VK054, VK131-VK140, VL001-VL010, VL751-VL790, VL891-VL909, VL911-VL929, VN001-VN050, VN231-VN240, VN301-VN340, VN421-VN490, VN546-VN550, VN634-VN650, VN791-VN810, VN921-VN930, VN951-VN959, VS073-VS073, VS196-VS199, VS266-VS268 |
| 31 | 22 | PA | D10062 | | | 77-12-12 | GDX0005 | S.. | 2 | | 3 | | VB051-VB100 |

286T1114-101
Wire Bundle Assembly
Figure 117 (Sheet 19)



BOEING
COMPONENT
MAINTENANCE MANUAL

| WIRE | | FROM EQUIPMENT | | | TO EQUIPMENT | | | WIRE INFO | | | | |
|--------|--------|----------------|---------|------|--------------|---------|------|-----------|---------|----|-------|---|
| NUMBER | GA TYP | NUMBER | TERM | TT | WDM REF | NUMBER | TERM | TT | EMC/SEP | FT | NOTES | EFFECTIVITY |
| 31 | 20 | UA | D10062 | | 77-12-12 | GDX0005 | S.. | 2 | | 2 | | VF251-VF260, VK020-VK020, VK181-VK190, VL910-VL910, VL930-VL930, VN960-VN960, VN968-VN970, VR461-VR461, VS051-VS052, VS131-VS132, VS176-VS177, VS261-VS262 |
| 32 | 24 | PK | TB0182D | C023 | 27-58-21 | D02674 | | 24 | | 4 | | VA001-VA020, VA501-VA519, VA701-VA712, VA801-VA810, VB001-VB002, VB051-VB055, VB101-VB123, VB201-VB201, VB251-VB253, VB281-VB284, VB301-VB302, VB321-VB324, VB401-VB401, VE001-VE002, VE021-VE023, VE041-VE043, VE061-VE068, VE101-VE103, VE116-VE117 |
| 32 | 24 | PK | TB0182D | C023 | 21-51-11 | D02674 | | 24 | | 4 | | VA021-VA500, VA520-VA700, VA713-VA800, VA811-VA999, VB003-VB050, VB056-VB100, VB124-VB200, VB202-VB250, VB254-VB280, VB285-VB300, VB303-VB320, VB325-VB330, VB371-VB400, VB402-VB410, VB421-VB440, VB451-VB451, VE003-VE020, VE024-VE040, VE044-VE060, VE069-VE100, VE104-VE115, VE121-VE146, VF001-VF010, VF021-VF060, VF071-VF090, VK001-VK011, VK021-VK054, VL001-VL040, VN001-VN015, VNI71-VNI89, VN211-VN222 |
| 32 | 24 | PK | TB0182F | A023 | 21-51-11 | D02674 | | 24 | | 4 | | VB331-VB370, VB441-VB450, VE118-VE130, VE147-VE180, VF061-VF070, VF091-VF110, VF161-VF180, VK012-VK019, VK055-VK080, VK131-VK140, VK161-VK179, VL751-VL790, VL796-VL805, VL891-VL909, VL911-VL929, VL931-VL940, VN016-VN050, VN223-VN289, VN301-VN340, VN371-VN529, VN531-VN650, VN671-VN675, VN681-VN730, VN791-VN810, VN921-VN949, VN951-VN959, VN966-VN967, VN971-VN990, VR471-VR471, VS196-VS199, VS206-VS207 |
| 32 | 24 | PK | TB0182F | A023 | 21-51-11 | D02674 | | 24 | | 3 | | VF251-VF260, VK020-VK020, VK180-VK190, VL806-VL810, VL871-VL880, VL910-VL910, VL930-VL930, VN290-VN290, VN530-VN530, VN950-VN950, VN960-VN960, VN968-VN970, VR421-VR421, VR461-VR461, VS051-VS052, VS066-VS070, VS073-VS073, VS091-VS094, VS131-VS132, VS176-VS177, VS261-VS262, VS266-VS268 |
| 32 | 24 | PK | TB0182D | C023 | 21-51-11 | D02674 | | 24 | | 3 | | VNI90-VNI90, VS061-VS061 |

286T1114-101
Wire Bundle Assembly
Figure 117 (Sheet 20)

25-71-01

| WIRE | | FROM EQUIPMENT | | | TO EQUIPMENT | | | WIRE INFO | | |
|--------|--------|----------------|---------|----------|--------------|---------|---------|-----------|-------|---|
| NUMBER | GA TYP | NUMBER | TERM TT | WDM REF | NUMBER | TERM TT | EMC/SEP | FT | NOTES | EFFECTIVITY |
| 33 | 24 PK | TB0158F | C024 2 | 21-51-11 | D02674 | 27 | | 4 | | VA001-VB410, VB421-VE180, VF001-VF010, VF021-VF110, VF161-VF180, VK001-VK019, VK021-VK080, VK131-VK140, VK161-VK179, VL001-VL040, VL751-VL790, VL796-VL805, VL891-VL909, VL911-VL929, VL931-VL940, VN001-VN050, VN171-VN189, VN211-VN289, VN301-VN340, VN371-VN529, VN531-VN650, VN671-VN675, VN681-VN730, VN791-VN810, VN921-VN949, VN951-VN959, VN966-VN967, VN971-VN990, VR471-VR471, VS196-VS199, VS206-VS207 |
| 33 | 24 PK | TB0158F | C024 2 | 21-51-11 | D02674 | 27 | | 3 | | VF251-VF260, VK020-VK020, VK180-VK190, VL806-VL810, VL871-VL880, VL910-VL910, VL930-VL930, VN190-VN190, VN290-VN290, VN530-VN530, VN950-VN950, VN960-VN960, VN968-VN970, VR421-VR421, VR461-VR461, VS051-VS052, VS061-VS061, VS066-VS070, VS073-VS073, VS091-VS094 VS131-VS132, VS176-VS177, VS261-VS262, VS266-VS268 |
| 34 | 22 PA | D02246 | 16 | 29-11-32 | D08036J | 1 | | 4 | | VA001-VB410, VB421-VE180, VF001-VF010, VF021-VF110, VF161-VF180, VK001-VK019, VK021-VK080, VK131-VK140, VK161-VK179, VL001-VL040, VL751-VL790, VL796-VL805, VL891-VL909, VL911-VL929, VL931-VL940, VN001-VN050, VN171-VN189, VN211-VN289, VN301-VN340, VN371-VN529, VN531-VN650, VN671-VN675, VN681-VN730, VN791-VN810, VN921-VN949, VN951-VN959, VN966-VN967, VN971-VN990, VR471-VR471, VS196-VS199, VS206-VS207 |
| 34 | 22 PA | D02246 | 16 | 29-11-32 | D08036J | 1 | | 2 | | VF251-VF260, VK020-VK020, VK180-VK190, VL806-VL810, VL871-VL880, VL910-VL910, VL930-VL930, VN190-VN190, VN290-VN290, VN530-VN530, VN950-VN950, VN960-VN960, VN968-VN970, VR421-VR421, VR461-VR461, VS051-VS052, VS061-VS061, VS066-VS070, VS073-VS073, VS091-VS094 VS131-VS132, VS176-VS177, VS261-VS262, VS266-VS268 |

286T1114-101
Wire Bundle Assembly
Figure 117 (Sheet 21)

25-71-01



BOEING
COMPONENT
MAINTENANCE MANUAL

| WIRE | | FROM EQUIPMENT | | | TO EQUIPMENT | | | WIRE INFO | | | |
|--------|--------|----------------|---------|----------|--------------|---------|---------|-----------|-------|---|--|
| NUMBER | GA TYP | NUMBER | TERM TT | WDM REF | NUMBER | TERM TT | EMC/SEP | FT | NOTES | EFFECTIVITY | |
| 35 | 22 PA | D02246 | 13 | 29-11-32 | D08036J | 7 | | 4 | | VA001-VB410, VB421-VE180, VF001-VF010, VF021-VF110, VF161-VF180, VK001-VK019, VK021-VK080, VK131-VK140, VK161-VK179, VL001-VL040, VL751-VL790, VL796-VL805, VL891-VL909, VL911-VL929, VL931-VL940, VN001-VN050, VN171-VN189, VN211-VN289, VN301-VN340, VN371-VN529, VN531-VN650, VN671-VN675, VN681-VN730, VN791-VN810, VN921-VN949, VN951-VN959, VN966-VN967, VN971-VN990, VR471-VR471, VS196-VS199, VS206-VS207 | |
| 35 | 22 PA | D02246 | 13 | 29-11-32 | D08036J | 7 | | 2 | | VF251-VF260, VK020-VK020, VK180-VK190, VL806-VL810, VL871-VL880, VL910-VL910, VL930-VL930, VN190-VN190, VN290-VN290, VN530-VN530, VN950-VN950, VN960-VN960, VN968-VN970, VR421-VR421, VR461-VR461, VS051-VS052, VS061-VS061, VS066-VS070, VS073-VS073, VS091-VS094, VS131-VS132, VS176-VS177, VS261-VS262, VS266-VS268 | |
| 36 | 22 PA | D02246 | 10 | 29-11-32 | D08036J | 3 | | 4 | | VA001-VB410, VB421-VE180, VF001-VF010, VF021-VF110, VF161-VF180, VK001-VK019, VK021-VK080, VK131-VK140, VK161-VK179, VL001-VL040, VL751-VL790, VL796-VL805, VL891-VL909, VL911-VL929, VL931-VL940, VN001-VN050, VN171-VN189, VN211-VN289, VN301-VN340, VN371-VN529, VN531-VN650, VN671-VN675, VN681-VN730, VN791-VN810, VN921-VN949, VN951-VN959, VN966-VN967, VN971-VN990, VR471-VR471, VS196-VS199, VS206-VS207 | |
| 36 | 22 PA | D02246 | 10 | 29-11-32 | D08036J | 3 | | 2 | | VF251-VF260, VK020-VK020, VK180-VK190, VL806-VL810, VL871-VL880, VL910-VL910, VL930-VL930, VN190-VN190, VN290-VN290, VN530-VN530, VN950-VN950, VN960-VN960, VN968-VN970, VR421-VR421, VR461-VR461, VS051-VS052, VS061-VS061, VS066-VS070, VS073-VS073, VS091-VS094, VS131-VS132, VS176-VS177, VS261-VS262, VS266-VS268 | |

286T1114-101
Wire Bundle Assembly
Figure 117 (Sheet 22)

25-71-01

| WIRE | | FROM EQUIPMENT | | | TO EQUIPMENT | | | WIRE INFO | | | |
|--------|--------|----------------|---------|----------|--------------|---------|----------|-----------|-------|---|--|
| NUMBER | GA TYP | NUMBER | TERM TT | WDM REF | NUMBER | TERM TT | EMC/ SEP | FT | NOTES | EFFECTIVITY | |
| 37 | 22 PA | D02246 | 1 | 29-11-32 | GDX0003 | D.. 2 | | 4 | | VA001-VB410, VB421-VE180, VF001-VF010, VF021-VF110, VF161-VF180, VK001-VK019, VK021-VK080, VK131-VK140, VK161-VK179, VL001-VL040, VL751-VL790, VL796-VL805, VL891-VL909, VL911-VL929, VL931-VL940, VN001-VN050, VN171-VN189, VN211-VN289, VN301-VN340, VN371-VN529, VN531-VN650, VN671-VN675, VN681-VN730, VN791-VN810, VN921-VN949, VN951-VN959, VN966-VN967, VN971-VN990, VR471-VR471, VS196-VS199, VS206-VS207 | |
| 37 | 22 PA | D02246 | 1 | 29-11-32 | GDX0003 | D.. 2 | | 2 | | VF251-VF260, VK020-VK020, VK180-VK190, VL806-VL810, VL871-VL880, VL910-VL910, VL930-VL930, VN190-VN190, VN290-VN290, VN530-VN530, VN950-VN950, VN960-VN960, VN968-VN970, VR421-VR421, VR461-VR461, VS051-VS052, VS061-VS061, VS066-VS070, VS073-VS073, VS091-VS094, VS131-VS132, VS176-VS177, VS261-VS262, VS266-VS268 | |
| 38 | 22 PA | D10062 | 17 | 36-11-52 | GDX0004 | D.. 2 | | 3 | | VA002-VB410, VB421-VE180, VF001-VF010, VF021-VF110, VF161-VF180, VK001-VK019, VK021-VK080, VK131-VK140, VK161-VK179, VL001-VL040, VL751-VL790, VL796-VL805, VL891-VL909, VL911-VL929, VL931-VL940, VN001-VN050, VN171-VN189, VN211-VN289, VN301-VN340, VN371-VN529, VN531-VN650, VN671-VN675, VN681-VN730, VN791-VN810, VN921-VN949, VN951-VN959, VN966-VN967, VN971-VN990, VR471-VR471, VS196-VS199, VS206-VS207 | |
| 38 | 22 PA | D10062 | 17 | 36-11-52 | GDX0004 | D.. 2 | | 2 | | VF251-VF260, VK020-VK020, VK180-VK190, VL806-VL810, VL910-VL910, VL930-VL930, VN190-VN190, VN290-VN290, VN530-VN530, VN950-VN950, VN960-VN968-VN970, VR421-VR421, VR461-VR461, VS051-VS052, VS061-VS061, VS066-VS070, VS073-VS073, VS091-VS132, VS176-VS177, VS261-VS262, VS266-VS268 | |
| 38 | 22 PA | D13598 | 61 | 36-11-52 | GDX0004 | D.. 2 | | 2 | | VL871-VL880 | |

286T1114-101
Wire Bundle Assembly
Figure 117 (Sheet 23)

25-71-01



BOEING
COMPONENT
MAINTENANCE MANUAL

| WIRE | | FROM EQUIPMENT | | | TO EQUIPMENT | | | WIRE INFO | | | | | |
|--------|----|----------------|--------|------|--------------|----------|---------|-----------|----|---------|----|-------|---|
| NUMBER | GA | TYP | NUMBER | TERM | TT | WDM REF | NUMBER | TERM | TT | EMC/SEP | FT | NOTES | EFFECTIVITY |
| 39 | 20 | UA | D10064 | | | 77-12-12 | GDX0005 | S.. | 2 | | 3 | | VA301-VA700, VB101-VB200, VB251-VB280, VB321-VB370, VB401-VB410, VB441-VB450, VE101-VE170, VF001-VF010, VF031-VF060, VF171-VF180, VK012-VK019, VK031-VK054, VK131-VK140, VL001-VL010, VL751-VL790, VL891-VL909, VL911-VL929, VN001-VN050, VN231-VN240, VN301-VN340, VN421-VN490, VN546-VN550, VN634-VN650, VN791-VN810, VN921-VN930, VN951-VN959, VS073-VS073, VS196-VS199, VS266-VS268 |
| 39 | 22 | PA | D10064 | | | 77-12-12 | GDX0005 | S.. | 2 | | 3 | | VB051-VB100 |
| 39 | 20 | UA | D10064 | | | 77-12-12 | GDX0005 | S.. | 2 | | 2 | | VF251-VF260, VK020-VK020, VK181-VK190, VL910-VL910, VL930-VL930, VN960-VN960, VN968-VN970, VR461-VR461, VS051-VS052, VS131-VS132, VS176-VS177, VS261-VS262 |
| 40 | 22 | PA | D02246 | 4 | | 29-11-32 | D08036J | 12 | | | 4 | | VA001-VB410, VB421-VE180, VF001-VF010, VF021-VF110, VF161-VF180, VK001-VK019, VK021-VK080, VK131-VK140, VK161-VK179, VL001-VL040, VL751-VL790, VL796-VL805, VL891-VL909, VL911-VL929, VL931-VL940, VN001-VN050, VNI71-VNI89, VN211-VN289, VN301-VN340, VN371-VN529, VNS31-VN650, VN671-VN675, VN681-VN730, VN791-VN810, VN921-VN949, VN951-VN959, VN966-VN967, VN971-VN990, VR471-VR471, VS196-VS199, VS206-VS207 |
| 40 | 22 | PA | D02246 | 4 | | 29-11-32 | D08036J | 12 | | | 2 | | VF251-VF260, VK020-VK020, VK180-VK190, VL806-VL810, VL871-VL880, VL910-VL910, VL930-VL930, VN190-VN190, VN290-VN290, VNS30-VNS30, VN950-VN950, VN960-VN960, VN968-VN970, VR421-VR421, VR461-VR461, VS051-VS052, VS061-VS061, VS066-VS070, VS073-VS073, VS091-VS094, VS131-VS132, VS176-VS177, VS261-VS262, VS266-VS268 |

286T1114-101
Wire Bundle Assembly
Figure 117 (Sheet 24)

25-71-01

| WIRE | | FROM EQUIPMENT | | | TO EQUIPMENT | | | WIRE INFO | | |
|--------|--------|----------------|---------|----------|--------------|---------|----------|-----------|-------|---|
| NUMBER | GA TYP | NUMBER | TERM TT | WDM REF | NUMBER | TERM TT | EMC/ SEP | FT | NOTES | EFFECTIVITY |
| 41 | 22 PA | D02246 | 7 | 29-11-32 | D08036J | 8 | | 4 | | VA001-VB410, VB421-VE180, VF001-VF010, VF021-VF110, VF161-VF180, VK001-VK019, VK021-VK080, VK131-VK140, VK161-VK179, VL001-VL040, VL751-VL790, VL796-VL805, VL891-VL909, VL911-VL929, VL931-VL940, VM001-VM050, VM171-VM189, VM211-VM289, VM301-VM340, VM371-VM529, VM531-VM650, VM671-VM675, VM681-VM730, VM791-VM810, VM921-VM949, VM951-VM959, VM966-VM967, VM971-VM990, VR471-VR471, VS196-VS199, VS206-VS207 |
| 41 | 22 PA | D02246 | 7 | 29-11-32 | D08036J | 8 | | 2 | | VF251-VF260, VK020-VK020, VK180-VK190, VL806-VL810, VL871-VL880, VL910-VL910, VL930-VL930, VM190-VM190, VM290-VM290, VM530-VM530, VM950-VM950, VM960-VM960, VM968-VM970, VR421-VR421, VR461-VR461, VS051-VS052, VS061-VS061, VS066-VS070, VS073-VS073, VS091-VS094, VS131-VS132, VS176-VS177, VS261-VS262, VS266-VS268 |
| 42 | 24 PK | D02246 | 18 | 29-11-32 | D08036J | 11 | | 4 | | VA001-VB410, VB421-VE180, VF001-VF010, VF021-VF110, VF161-VF180, VK001-VK019, VK021-VK080, VK131-VK140, VK161-VK179, VL001-VL040, VL751-VL790, VL796-VL805, VL891-VL909, VL911-VL929, VL931-VL940, VM001-VM050, VM171-VM189, VM211-VM289, VM301-VM340, VM371-VM529, VM531-VM650, VM671-VM675, VM681-VM730, VM791-VM810, VM921-VM949, VM951-VM959, VM966-VM967, VM971-VM990, VR471-VR471, VS196-VS199, VS206-VS207 |
| 42 | 24 PK | D02246 | 18 | 29-11-32 | D08036J | 11 | | 2 | | VF251-VF260, VK020-VK020, VK180-VK190, VL806-VL810, VL871-VL880, VL910-VL910, VL930-VL930, VM190-VM190, VM290-VM290, VM530-VM530, VM950-VM950, VM960-VM960, VM968-VM970, VR421-VR421, VR461-VR461, VS051-VS052, VS061-VS061, VS066-VS070, VS073-VS073, VS091-VS094, VS131-VS132, VS176-VS177, VS261-VS262, VS266-VS268 |

 286T1114-101
 Wire Bundle Assembly
 Figure 117 (Sheet 25)

25-71-01

 TESTING & FAULT ISOLATION
 01 Page 148X
 Nov 01/02



BOEING
COMPONENT
MAINTENANCE MANUAL

| WIRE | | FROM EQUIPMENT | | | TO EQUIPMENT | | | WIRE INFO | | | | |
|--------|--------|----------------|------|----|--------------|--------------|------|-----------|---------|----|-------|--|
| NUMBER | GA TYP | NUMBER | TERM | TT | WDM REF | NUMBER | TERM | TT | EMC/SEP | FT | NOTES | EFFECTIVITY |
| 43 | 24 PV | D02674 | 28 | | 31-51-41 | TB0246X B001 | BJ | | | 5 | | VA001-VB410, VB421-VE084, VE101-VE170, VF001-VF010, VF021-VF060, VF171-VF180, VK001-VK019, VK021-VK080, VK131-VK140, VK161-VK179, VL001-VL040, VL751-VL790, VL796-VL805, VL891-VL909, VL911-VL929, VL931-VL940, VM001-VN050, VN171-VN189, VN211-VN289, VN301-VN340 VN371-VN529, VN531-VN650, VN671-VN675, VN681-VN730, VN791-VN810, VN921-VN949, VN951-VN959, VN966-VN967, VN971-VN990, VR471-VR471, VS196-VS199, VS206-VS207 |
| 43 | 24 PV | D02674 | 28 | | 31-51-41 | TB0158Y C008 | BJ | | | 4 | | VE085-VE100, VE171-VE180, VF061-VF110, VF161-VF170 |
| 43 | 24 PV | D02674 | 28 | | 31-51-41 | TB0246X B001 | BJ | | | 3 | | VF251-VF260, VK020-VK020, VK180-VK190, VL806-VL810, VL871-VL880, VL910-VL910, VL930-VL930, VN190-VN190, VN290-VN290, VN530-VN530, VN950-VN950, VN960-VN960, VN968-VN970, VR421-VR421, VR461-VR461, VS051-VS052, VS061-VS061, VS066-VS070, VS073-VS073, VS091-VS094 VS131-VS132, VS176-VS177, VS261-VS262, VS266-VS268 |
| 043Z | | D02674 | DED | | 31-51-41 | TB0246X | DED | | | | | VA001-VB410, VB421-VE084, VE101-VE170, VF001-VF010, VF021-VF060, VF171-VF180, VF251-VF260, VK001-VK080, VK131-VK140, VK161-VK190, VL001-VL040, VL751-VL790, VL796-VL810, VL871-VL880, VL891-VL940, VM001-VN050, VN171-VN190, VN211-VN290, VN301-VN340, VN371-VN650 VN671-VN675, VN681-VN730, VN791-VN810, VN921-VN960, VN966-VN990, VR421-VR421, VR461-VR461, VR471-VR471, VS051-VS052, VS061-VS061, VS066-VS070, VS073-VS073, VS091-VS094, VS131-VS132, VS176-VS177, VS196-VS199, VS206-VS207, VS261-VS262, VS266-VS268 |
| 043Z | | D02674 | DED | | 31-51-41 | TB0158Y | DED | | | | | VE085-VE100, VE171-VE180, VF061-VF110, VF161-VF170 |

286T1114-101
Wire Bundle Assembly
Figure 117 (Sheet 26)

25-71-01

| WIRE | | FROM EQUIPMENT | | | TO EQUIPMENT | | | WIRE INFO | | |
|--------|--------|----------------|---------|----------|--------------|---------|----------|-----------|-------|--|
| NUMBER | GA TYP | NUMBER | TERM TT | WDM REF | NUMBER | TERM TT | EMC/ SEP | FT | NOTES | EFFECTIVITY |
| 44 | 24 PK | D02674 | 29 | 27-58-21 | TB0182D | C019 2 | | 5 | | VA001-VB410, VB421-VE180, VF001-VF010, VF021-VF110, VF161-VF180, VK001-VK019, VK021-VK080, VK131-VK140, VK161-VK179, VL001-VL040, VL751-VL790, VL796-VL805, VL891-VL909, VL911-VL929, VL931-VL940, VN001-VN050, VN171-VN189, VN211-VN289, VN301-VN340, VN371-VN529, VN531-VN650, VN671-VN675, VN681-VN730, VN791-VN810, VN921-VN949, VN951-VN959, VN966-VN967, VN971-VN990, VR471-VR471, VS196-VS199, VS206-VS207 VF251-VF260, VK020-VK020, VK180-VK190, VL806-VL810, VL871-VL880, VL910-VL910, VL930-VL930, VNL190-VN190, VN290-VN290, VN530-VN530, VN950-VN950, VN960-VN960, VN968-VN970, VR421-VR421, VR461-VR461, VS051-VS052, VS061-VS061, VS066-VS070, VS073-VS073, VS091-VS094 VS131-VS132, VS176-VS177, VS261-VS262, VS266-VS268 VA001-VB410, VB421-VE180, VF001-VF010, VF021-VF110, VF161-VF180, VK001-VK019, VK021-VK080, VK131-VK140, VK161-VK179, VL001-VL040, VL751-VL790, VL796-VL805, VL891-VL909, VL911-VL929, VL931-VL940, VN001-VN050, VN171-VN189, VN211-VN289, VN301-VN340, VN371-VN529, VN531-VN650, VN671-VN675, VN681-VN730, VN791-VN810, VN921-VN949, VN951-VN959, VN966-VN967, VN971-VN990, VR471-VR471, VS196-VS199, VS206-VS207 |
| 44 | 24 PK | D02674 | 29 | 27-58-21 | TB0182D | C019 2 | | 3 | | |
| 45 | 22 PA | D02246 | | 29-11-32 | GDX0003 | S... 2 | | 4 | | |
| 45 | 22 PA | D02246 | | 29-11-32 | GDX0003 | S... 2 | | 2 | | |

 286T1114-101
 Wire Bundle Assembly
 Figure 117 (Sheet 27)

25-71-01

 TESTING & FAULT ISOLATION
 01 Page 148Z
 Nov 01/02



BOEING
COMPONENT
MAINTENANCE MANUAL

| WIRE | | FROM EQUIPMENT | | | TO EQUIPMENT | | | WIRE INFO | | | | | |
|--------|----|----------------|--------|------|--------------|----------|---------|-----------|----|---------|----|-------|---|
| NUMBER | GA | TYP | NUMBER | TERM | TT | WDM REF | NUMBER | TERM | TT | EMC/SEP | FT | NOTES | EFFECTIVITY |
| 46 | 24 | PK | D10062 | 59 | | 29-21-31 | D08036J | 18 | | | 4 | | VA001-VB410, VB421-VE180, VF001-VF010, VF021-VF110, VF161-VF180, VK001-VK019, VK021-VK080, VK131-VK140, VK161-VK179, VL001-VL040, VL751-VL790, VL796-VL805, VL891-VL909, VL911-VL929, VL931-VL940, VN001-VN050, VN171-VN189, VN211-VN289, VN301-VN340, VN371-VN529, VN531-VN650, VN671-VN675, VN681-VN730, VN791-VN810, VN921-VN949, VN951-VN959, VN966-VN967, VN971-VN990, VR471-VR471, VS196-VS199, VS206-VS207 |
| 46 | 24 | PK | D10062 | 59 | | 29-21-31 | D08036J | 18 | | | 2 | | VF251-VF260, VK020-VK020, VK180-VK190, VL806-VL810, VL910-VL910, VL930-VL930, VN190-VN190, VN290-VN290, VN530-VN530, VN950-VN950, VN960-VN960, VN968-VN970, VR421-VR421, VR461-VR461, VS051-VS052, VS061-VS061, VS066-VS070, VS073-VS073, VS091-VS094, VS131-VS132, VS176-VS177, VS261-VS262, VS266-VS268 |
| 46 | 24 | PK | D13598 | 59 | | 29-21-31 | D08036J | 18 | | | 2 | | VL871-VL880 |
| 47 | 24 | PK | D10062 | 30 | | 29-21-31 | D10064 | 59 | | | 3 | | VA001-VB410, VB421-VE180, VF001-VF010, VF021-VF110, VF161-VF180, VK001-VK019, VK021-VK080, VK131-VK140, VK161-VK179, VL001-VL040, VL751-VL790, VL796-VL805, VL891-VL909, VL911-VL929, VL931-VL940, VN001-VN050, VN171-VN189, VN211-VN289, VN301-VN340, VN371-VN529, VN531-VN650, VN671-VN675, VN681-VN730, VN791-VN810, VN921-VN949, VN951-VN959, VN966-VN967, VN971-VN990, VR471-VR471, VS196-VS199, VS206-VS207 |
| 47 | 24 | PK | D10062 | 30 | | 29-21-31 | D10064 | 59 | | | 1 | | VF251-VF260, VK020-VK020, VK180-VK190, VL806-VL810, VL910-VL910, VL930-VL930, VN190-VN190, VN290-VN290, VN530-VN530, VN950-VN950, VN960-VN960, VN968-VN970, VR421-VR421, VR461-VR461, VS051-VS052, VS061-VS061, VS066-VS070, VS073-VS073, VS091-VS094, VS131-VS132, VS176-VS177, VS261-VS262, VS266-VS268 |
| 47 | 24 | PK | D13598 | 30 | | 29-21-31 | D13600 | 59 | | | 1 | | VL871-VL880 |

286T1114-101
Wire Bundle Assembly
Figure 117 (Sheet 28)

25-71-01

TESTING & FAULT ISOLATION

01 Page 149

Nov 01/02

| WIRE | | FROM EQUIPMENT | | | TO EQUIPMENT | | | WIRE INFO | | | | | |
|--------|----|----------------|---------|------|--------------|----------|---------|-----------|----|---------|----|-------|--|
| NUMBER | GA | TYP | NUMBER | TERM | TT | WDM REF | NUMBER | TERM | TT | EMC/SEP | FT | NOTES | EFFECTIVITY |
| 48 | 24 | PK | D08036J | 19 | | 29-21-31 | D10064 | 30 | | | 4 | | VA001-VB410, VB421-VE180, VF001-VF010, VF021-VF110, VF161-VF180, VK001-VK019, VK021-VK080, VK131-VK140, VK161-VK179, VL001-VL040, VL751-VL790, VL796-VL805, VL891-VL909, VL911-VL929, VL931-VL940, VN001-VN050, VNI71-VNI189, VN211-VN289, VN301-VN340, VN371-VN529, VNS31-VN650, VN671-VN675, VN681-VN730, VN791-VN810, VN921-VN949, VN951-VN959, VN966-VN967, VN971-VN990, VR471-VR471, VS196-VS199, VS206-VS207 |
| 48 | 24 | PK | D08036J | 19 | | 29-21-31 | D10064 | 30 | | | 2 | | VF251-VF260, VK020-VK020, VK180-VK190, VL806-VL810, VL910-VL910, VL930-VL930, VNI190-VNI190, VN290-VN290, VNS30-VNS30, VN950-VN950, VN960-VN968-VN970, VR421-VR421, VR461-VR461, VS051-VS052, VS061-VS061, VS066-VS070, VS073-VS073, VS091-VS094, VS131-VS132, VS176-VS177, VS261-VS262, VS266-VS268 |
| 48 | 24 | PK | D08036J | 19 | | 29-21-31 | D13600 | 30 | | | 2 | | VL871-VL880 |
| 49 | 20 | UA | D10064 | | | 77-12-12 | GDX0005 | S.. | 2 | | 3 | | VA301-VA700, VB101-VB200, VB251-VB280, VB321-VB370, VB401-VB410, VB441-VB450, VE101-VE170, VF001-VF010, VF021-VF060, VF171-VF180, VK012-VK019, VK031-VK054, VK131-VK140, VL001-VL010, VL751-VL790, VL891-VL909, VL911-VL929, VN001-VN050, VN231-VN240, VN301-VN340, VM421-VN490, VNS46-VNS50, VN634-VN650, VN791-VN810, VN921-VN930, VN951-VN959, VS073-VS073, VS196-VS199, VS266-VS268 |
| 49 | 22 | PA | D10064 | | | 77-12-12 | GDX0005 | S.. | 2 | | 3 | | VB051-VB100 |
| 49 | 20 | UA | D10064 | | | 77-12-12 | GDX0005 | S.. | 2 | | 2 | | VF251-VF260, VK020-VK020, VK181-VK190, VL910-VL910, VL930-VL930, VN960-VN960, VN968-VN970, VR461-VR461, VS051-VS052, VS131-VS132, VS176-VS177, VS261-VS262 |

 286T1114-101
 Wire Bundle Assembly
 Figure 117 (Sheet 29)

25-71-01

 TESTING & FAULT ISOLATION
 01 Page 150

Nov 01/02



BOEING
COMPONENT
MAINTENANCE MANUAL

| WIRE | | FROM EQUIPMENT | | | TO EQUIPMENT | | | WIRE INFO | | | |
|--------|--------|----------------|---------|----------|--------------|---------|---------|-----------|-------|---|--|
| NUMBER | GA TYP | NUMBER | TERM TT | WDM REF | NUMBER | TERM TT | EMC/SEP | FT | NOTES | EFFECTIVITY | |
| 50 | 22 PA | D10062 | 2 | 28-22-12 | GDX0003 | D.. 2 | | 4 | | VA001-VB410, VB421-VE180, VF001-VF010, VF021-VF110, VF161-VF180, VK001-VK019, VK021-VK080, VK131-VK140, VK161-VK179, VL001-VL040, VL751-VL790, VL796-VL805, VL891-VL909, VL911-VL929, VL931-VL940, VN001-VN050, VN171-VN189, VN211-VN289, VN301-VN340, VN371-VN529, VN531-VN650, VN671-VN675, VN681-VN730, VN791-VN810, VN921-VN949, VN951-VN959, VN966-VN967, VN971-VN990, VR471-VR471, VS196-VS199, VS206-VS207 | |
| 50 | 22 PA | D10062 | 2 | 28-22-12 | GDX0003 | D.. 2 | | 2 | | VF251-VF260, VK020-VK020, VK180-VK190, VL806-VL810, VL910-VL910, VL930-VL930, VN190-VN190, VN290-VN290, VN530-VN530, VN950-VN950, VN960-VN960, VN968-VN970, VR421-VR421, VR461-VR461, VS051-VS052, VS061-VS061, VS066-VS070, VS073-VS073, VS091-VS094, VS131-VS132, VS176-VS177, VS261-VS262, VS266-VS268 | |
| 50 | 22 PA | D13598 | 2 | 28-22-12 | GDX0003 | D.. 2 | | 2 | | VL871-VL880 | |
| 51 | 24 PK | D10062 | 37 | 28-22-12 | TB0248X | D001 BJ | | 4 | | VA001-VB410, VB421-VE180, VF001-VF010, VF021-VF110, VF161-VF180, VK001-VK019, VK021-VK080, VK131-VK140, VK161-VK179, VL001-VL040, VL751-VL790, VL796-VL805, VL891-VL909, VL911-VL929, VL931-VL940, VN001-VN050, VN171-VN189, VN211-VN289, VN301-VN340, VN371-VN529, VN531-VN650, VN671-VN675, VN681-VN730, VN791-VN810, VN921-VN949, VN951-VN959, VN966-VN967, VN971-VN990, VR471-VR471, VS196-VS199, VS206-VS207 | |
| 51 | 24 PK | D10062 | 37 | 28-22-12 | TB0248X | D001 BJ | | 3 | | VF251-VF260, VK020-VK020, VK180-VK190, VL806-VL810, VL910-VL910, VL930-VL930, VN190-VN190, VN290-VN290, VN530-VN530, VN950-VN950, VN960-VN960, VN968-VN970, VR421-VR421, VR461-VR461, VS051-VS052, VS061-VS061, VS066-VS070, VS073-VS073, VS091-VS094, VS131-VS132, VS176-VS177, VS261-VS262, VS266-VS268 | |
| 51 | 24 PK | D13598 | 37 | 28-22-12 | TB0248X | D001 BJ | | 3 | | VL871-VL880 | |

286T1114-101
Wire Bundle Assembly
Figure 117 (Sheet 30)

25-71-01

| WIRE | | FROM EQUIPMENT | | | TO EQUIPMENT | | | WIRE INFO | | | | | |
|--------|----|----------------|--------|------|--------------|----------|---------|-----------|----|---------|----|-------|---|
| NUMBER | GA | TYP | NUMBER | TERM | TT | WDM REF | NUMBER | TERM | TT | EMC/SEP | FT | NOTES | EFFECTIVITY |
| 52 | 24 | PK | D10064 | 37 | | 28-22-12 | D08036J | 13 | | | 4 | | VA001-VB410, VB421-VE180, VF001-VF010, VF021-VF110, VF161-VF180, VK001-VK019, VK021-VK080, VK131-VK140, VK161-VK179, VL001-VL040, VL751-VL790, VL796-VL805, VL891-VL909, VL911-VL929, VL931-VL940, VN001-VN050, VN171-VN189, VN211-VN289, VN301-VN340, VN371-VN529, VN531-VN650, VN671-VN675, VN681-VN730, VN791-VN810, VN921-VN949, VN951-VN959, VN966-VN967, VN971-VN990, VR471-VR471, VS196-VS199, VS206-VS207 |
| 52 | 24 | PK | D10064 | 37 | | 28-22-12 | D08036J | 13 | | | 2 | | VF251-VF260, VK020-VK020, VK180-VK190, VL806-VL810, VL910-VL910, VL930-VL930, VN190-VN190, VN290-VN290, VN530-VN530, VN950-VN950, VN960-VN960, VN968-VN970, VR421-VR421, VR461-VR461, VS051-VS052, VS061-VS061, VS066-VS070, VS073-VS073, VS091-VS094, VS131-VS132, VS176-VS177, VS261-VS262, VS266-VS268 |
| 52 | 24 | PK | D13600 | 37 | | 28-22-12 | D08036J | 13 | | | 2 | | VL871-VL880 |
| 53 | 22 | PA | D10064 | 2 | | 28-22-12 | GDX0003 | D.. | 2 | | 4 | | VA001-VB410, VB421-VE180, VF001-VF010, VF021-VF110, VF161-VF180, VK001-VK019, VK021-VK080, VK131-VK140, VK161-VK179, VL001-VL040, VL751-VL790, VL796-VL805, VL891-VL909, VL911-VL929, VL931-VL940, VN001-VN050, VN171-VN189, VN211-VN289, VN301-VN340, VN371-VN529, VN531-VN650, VN671-VN675, VN681-VN730, VN791-VN810, VN921-VN949, VN951-VN959, VN966-VN967, VN971-VN990, VR471-VR471, VS196-VS199, VS206-VS207 |
| 53 | 22 | PA | D10064 | 2 | | 28-22-12 | GDX0003 | D.. | 2 | | 2 | | VF251-VF260, VK020-VK020, VK180-VK190, VL806-VL810, VL910-VL910, VL930-VL930, VN190-VN190, VN290-VN290, VN530-VN530, VN950-VN950, VN960-VN960, VN968-VN970, VR421-VR421, VR461-VR461, VS051-VS052, VS061-VS061, VS066-VS070, VS073-VS073, VS091-VS094, VS131-VS132, VS176-VS177, VS261-VS262, VS266-VS268 |
| 53 | 22 | PA | D13600 | 2 | | 28-22-12 | GDX0003 | D.. | 2 | | 2 | | VL871-VL880 |

 286T1114-101
 Wire Bundle Assembly
 Figure 117 (Sheet 31)

25-71-01



BOEING
COMPONENT
MAINTENANCE MANUAL

| WIRE | | FROM EQUIPMENT | | | TO EQUIPMENT | | | WIRE INFO | | | |
|--------|--------|----------------|---------|----------|--------------|---------|---------|-----------|--------|---|--|
| NUMBER | GA TYP | NUMBER | TERM TT | WDM REF | NUMBER | TERM TT | EMC/SEP | FT | NOTES | EFFECTIVITY | |
| 54 | 24 PK | D10064 | 47 | 28-25-31 | D08036J | 14 | | 4 | | VA001-VA001, VA021-VA500, VA701-VA719, VA801-VA999, VB003-VB280, VB301-VB320, VB371-VB401, VB421-VB440, VB451-VE003, VE021-VE043, VE061-VE069, VE083-VE084, VE104-VE104, VE116-VE118, VE121-VE126, VE141-VE151, VE171-VE172, VF001-VF002, VF021-VF040, VF051-VF051, VF061-VF062, VF091-VF093, VF101-VF102, VF161-VF161, VK001-VK011, VK021-VK022, VK031-VK054, VK131-VK133, VL001-VL006, VL011-VL040, VN171-VN173, VN211-VN212, VN231-VN234, VN241-VN241, VN301-VN306, VN371-VN372, VN376-VN376, VN381-VN381, VN531-VN532, VN536-VA501-VA530, VN001-VN020 | |
| 54 | 24 PK | D10064 | 47 | 28-25-31 | D08036J | 14 | | 4 | ZSZ-B6 | VA002-VB410, VB421-VE180, VF001-VF010, VF021-VF110, VF161-VF180, VK001-VK019, VK021-VK080, VK131-VK140, VK161-VK179, VL001-VL040, VL751-VL790, VL796-VL805, VL891-VL909, VL911-VL929, VL931-VL940, VN001-VN050, VN171-VN189, VN211-VN289, VN301-VN340, VN371-VN529, VN531-VN650, VN671-VN675, VN681-VN730, VN791-VN810, VN921-VN949, VN951-VN959, VN966-VN967, VN971-VN990, VR471-VR471, VS196-VS199, VS206-VS207 | |
| 55 | 22 PA | D10062 | 61 | 36-11-52 | TB0248X | B012 BJ | | 3 | | VF251-VF260, VK020-VK020, VK180-VK190, VL806-VL810, VL910-VL910, VL930-VL930, VN190-VN190, VN290-VN290, VN530-VN530, VN950-VN950, VN960-VN960, VN968-VN970, VR421-VR421, VR461-VR461, VS051-VS052, VS061-VS061, VS066-VS070, VS073-VS073, VS091-VS094, VS131-VS132, VS176-VS177, VS261-VS262, VS266-VS268 | |
| 55 | 24 PK | D13598 | 17 | 36-11-52 | TB0248X | B012 BJ | | 3 | | VL871-VL880 | |

286T1114-101
Wire Bundle Assembly
Figure 117 (Sheet 32)

25-71-01

| WIRE | | FROM EQUIPMENT | | | TO EQUIPMENT | | | WIRE INFO | | | | | |
|--------|----|----------------|---------|------|--------------|----------|---------|-----------|----|---------|----|--------|---|
| NUMBER | GA | TYP | NUMBER | TERM | TT | WDM REF | NUMBER | TERM | TT | EMC/SEP | FT | NOTES | EFFECTIVITY |
| 56 | 24 | PK | D10064 | 46 | | 28-25-31 | D08036J | 15 | | | 4 | | VA001-VA001, VA021-VA500, VA701-VA719, VA801-VA999, VB003-VB280, VB301-VB320, VB371-VB401, VB421-VB440, VB451-VE003, VE021-VE043, VE061-VE069, VE083-VE084, VE104-VE104, VE116-VE118, VE121-VE126, VE141-VE151, VE171-VE172, VF001-VF002, VF021-VF040, VF051-VF051, VF061-VF062, VF091-VF093, VF101-VF102, VF161-VF161, VK001-VK011, VK021-VK022, VK031-VK054, VK131-VK133, VL001-VL006, VL011-VL040, VN171-VN173, VN211-VN212, VN231-VN234, VN241-VN241, VN301-VN306, VN371-VN372, VN376-VN376, VN381-VN381, VN531-VN532, VN536-VA501-VA530, VN001-VN020 |
| 56 | 24 | PK | D10064 | 46 | | 28-25-31 | D08036J | 15 | | | 4 | ZSZ-B6 | |
| 57 | 24 | PK | TB0248Y | A009 | BJ | 73-21-18 | D10064 | 63 | | | 5 | | VA021-VA299, VA720-VA799, VA811-VA999, VB003-VB050, VB203-VB250, VB285-VB300, VB303-VB320, VB374-VB400, VE004-VE020, VE024-VE040, VE044-VE060, VE070-VE082, VK010-VK011, VK023-VK030 |
| 57 | 24 | PK | TB0248Y | A009 | BJ | 73-21-18 | D10064 | 63 | | | 5 | MNU-F2 | VA701-VA719, VB201-VB202, VB281-VB284, VB371-VB373, VK001-VK009, VK021-VK022 |
| 57 | 24 | PK | D10064 | 63 | | 73-21-18 | TB0182Y | C014 | BJ | | 4 | | VF071-VF090, VK161-VK161, VN223-VN230, VN251-VN260, VN671-VN675, VN681-VN683 |
| 57 | 24 | PK | D10064 | 63 | | 73-21-18 | TB0182Y | A021 | BJ | | 3 | | VF251-VF260, VL910-VL910 |
| 57 | 24 | PK | D10064 | 63 | | 73-21-18 | TB0182Y | A021 | BJ | | 4 | | VL751-VL790, VL891-VL909, VN634-VN650 |
| 57 | 24 | PK | D13600 | 63 | | 73-21-18 | TB0182Y | A008 | BJ | | 3 | | VL871-VL880 |
| 57 | 24 | PK | D10064 | 63 | | 73-21-18 | TB0182Y | A013 | BJ | | 4 | | VN221-VN222, VN301-VN340 |
| 58 | 24 | PK | TB0182X | A011 | BJ | 73-21-18 | D10064 | 65 | | | 4 | | VF071-VF090, VN221-VN230, VN301-VN340, VN671-VN675 |
| 58 | 24 | PK | TB0182X | A013 | BJ | 73-21-18 | D10064 | 65 | | | 3 | | VF251-VF260, VL910-VL910 |
| 58 | 24 | PK | TB0182X | A013 | BJ | 73-21-18 | D10064 | 65 | | | 4 | | VL751-VL790, VL891-VL909, VN634-VN650 |
| 58 | 24 | PK | TB0182X | B016 | BJ | 73-21-18 | D13600 | 65 | | | 3 | | VL871-VL880 |
| 59 | 24 | PK | TB0248Y | A009 | BJ | 73-21-18 | D10064 | 31 | | | 5 | | VA021-VA299, VA720-VA799, VA811-VA999, VB003-VB050, VB203-VB250, VB285-VB300, VB303-VB320, VB374-VB400, VE004-VE020, VE024-VE040, VE044-VE060, VE070-VE082, VK010-VK011, VK023-VK030 |
| 59 | 24 | PK | TB0248Y | A009 | BJ | 73-21-18 | D10064 | 31 | | | 5 | MNU-F2 | VA701-VA719, VB201-VB202, VB281-VB284, VB371-VB373, VK001-VK009, VK021-VK022 |

286T1114-101
Wire Bundle Assembly
Figure 117 (Sheet 33)

25-71-01



BOEING
COMPONENT
MAINTENANCE MANUAL

| WIRE | | FROM EQUIPMENT | | | TO EQUIPMENT | | | WIRE INFO | | | | | |
|--------|----|----------------|---------|------|--------------|----------|---------|-----------|----|---------|----|---------|---|
| NUMBER | GA | TYP | NUMBER | TERM | TT | WDM REF | NUMBER | TERM | TT | EMC/SEP | FT | NOTES | EFFECTIVITY |
| 59 | 22 | PA | D10064 | 31 | | 73-21-18 | GDX0003 | D.. | 2 | | 4 | | VF071-VF090, VN221-VN230, VN301-VN340, VN671-VN675 |
| 59 | 22 | PA | D10064 | 31 | | 73-21-18 | GDX0004 | D.. | 2 | | 2 | | VF251-VF260, VL910-VL910 |
| 59 | 22 | PA | D10064 | 31 | | 73-21-18 | GDX0004 | D.. | 2 | | 4 | | VL751-VL790, VN634-VN650 |
| 59 | 22 | PA | D13600 | 31 | | 73-21-18 | GDX0005 | D.. | 2 | | 2 | | VL871-VL880 |
| 59 | 22 | PA | D10064 | 31 | | 73-21-18 | GDX0004 | D.. | 2 | | 3 | | VL891-VL909 |
| 60 | 24 | PK | D10062 | 63 | | 73-21-18 | D08028J | 2 | | | 4 | | VA001-VA020, VA301-VA700, VA801-VA810, VB001-VB002, VB051-VB200, VB251-VB280, VB301-VB302, VB321-VB370, VB401-VB410, VB421-VB003, VE021-VE023, VE041-VE043, VE061-VE069, VE083-VE180, VF001-VF010, VF021-VF070, VF091-VF110, VF161-VF180, VK012-VK019, VK031-VK080, VK131-VK140, VK162-VK179, VL001-VL040, VL796-VL805, VL911-VL929, VL931-VL940, VN001-VN050, VN171-VN189, VN211-VN220, VN231-VN250, VN261-VN289, VN371-VN490, VN531-VN633, VN684-VN730, VN791-VN810, VN921-VN949, VN951-VN959, VN966-VN967, VN971-VN990, VR471-VA021-VA300, VA720-VA800, VA811-VA999, VB003-VB050, VB203-VB250, VB285-VB300, VB303-VB320, VB374-VB400, VE004-VE020, VE024-VE040, VE044-VE060, VE070-VE082, VK010-VK011, VK023-VK030 |
| 60 | 24 | PK | TB0248Y | C014 | BJ | 73-21-18 | D08028J | 2 | | | 4 | MANU-F2 | VA701-VA719, VB201-VB202, VB281-VB284, VB371-VB373, VK001-VK009, VK021-VK022 |
| 60 | 24 | PK | TB0248Y | C014 | BJ | 73-21-18 | D08028J | 2 | | | 4 | | VF071-VF090 |
| 60 | 24 | PK | TB0182Y | C008 | BJ | 73-21-18 | D08028J | 2 | | | 4 | | VF251-VF260 |
| 60 | 24 | PK | D08028J | 2 | | 73-21-18 | TB0182Y | C021 | BJ | | 1 | | |
| 60 | 24 | PK | D10062 | 63 | | 73-21-18 | D08028J | 2 | | | 2 | | VK020-VK020, VK180-VK190, VL806-VL810, VL930-VL930, VN190-VN190, VN290-VN290, VN530-VN530, VN950-VN950, VN960-VN960, VN968-VN970, VR421-VR421, VR461-VR461, VS051-VS052, VS061-VS061, VS066-VS070, VS073-VS073, VS091-VS094, VS131-VS132, VS176-VS177, VS261-VS262, VS266-VS268 |
| 60 | 24 | PK | TB0182Y | C008 | BJ | 73-21-18 | D08028J | 2 | | | 3 | | VK161-VK161, VN223-VN230, VN251-VN260, VN671-VN675, VN681-VN683 |
| 60 | 24 | PK | TB0182Y | C021 | BJ | 73-21-18 | D08028J | 2 | | | 3 | | VL751-VL790, VN634-VN650 |
| 60 | 24 | PK | TB0182Y | C008 | BJ | 73-21-18 | D08028J | 2 | | | 1 | | VL871-VL880 |

286T1114-101
Wire Bundle Assembly
Figure 117 (Sheet 34)

25-71-01

| WIRE | | FROM EQUIPMENT | | | TO EQUIPMENT | | | WIRE INFO | | | |
|--------|--------|----------------|---------|----------|--------------|---------|---------|-----------|--------|---|--|
| NUMBER | GA TYP | NUMBER | TERM TT | WDM REF | NUMBER | TERM TT | EMC/SEP | FT | NOTES | EFFECTIVITY | |
| 60 | 24 PK | TB0182Y | C021 BJ | 73-21-18 | D08028J | 2 | | 3 | | VL891-VL909 | |
| 60 | 24 PK | TB0182Y | C021 BJ | 73-21-18 | D08028J | 2 | | 1 | | VL910-VL910 | |
| 60 | 24 PK | TB0182Y | C013 BJ | 73-21-18 | D08028J | 2 | | 3 | | VN301-VN340 | |
| 60 | 24 PK | D10062 | 63 | 73-21-18 | D08028J | 2 | | 3 | | VN491-VN529 | |
| 060A | 24 PK | TB0182Y | C008 BJ | 73-21-18 | D08028J | 2 | | 5 | MNU-F2 | VN221-VN222 | |
| 61 | 24 PK | D10064 | 63 | 73-21-18 | D08028J | 3 | | 4 | | VA001-VA020, VA300-VA700, VA800-VA810, VB001-VB002, VB051-VB200, VB251-VB280, VB301-VB302, VB321-VB370, VB401-VB410, VB421-VB003, VE021-VE023, VE041-VE043, VE061-VE069, VE083-VE180, VF001-VF010, VF021-VF070, VF091-VF110, VF161-VF180, VK012-VK031, VK080 VK131-VK140, VK162-VK179, VL001-VL040, VL796-VL805, VL911-VL929, VL931-VL940, VN001-VN050, VN171-VN189, VN211-VN220, VN231-VN250, VN261-VN289, VN371-VN490, VN531-VN633, VN684-VN730, VN791-VN810, VN921-VN949, VN951-VN959, VN966-VN967, VN971-VN990, VR471-VR472, VA021-VA299, VA701-VA799, VA811-VA999, VE003-VE050, VB201-VB250, VB381-VB300, VB303-VB320, VB371-VB400, VE004-VE020, VE024-VE040, VE044-VE060, VE070-VE082, VK001-VK011, VK021-VK030 | |
| 61 | 24 PK | TB0248Y | A009 BJ | 73-21-18 | D08028J | 3 | | 4 | | VF071-VF090 | |
| 61 | 24 PK | TB0182Y | C014 BJ | 73-21-18 | D08028J | 3 | | 4 | | VF251-VF260 | |
| 61 | 24 PK | D08028J | 3 | 73-21-18 | TB0182Y | A021 BJ | | 1 | | VK020-VK020, VK180-VK190, VL806-VL810, VL930-VL930, VN190-VN190, VN290-VN290, VN530-VN530, VN950-VN950, VN960-VN960, VN968-VN970, VR421-VR421, VR461-VR461, VS051-VS052, VS061-VS061, VS066-VS070, VS073-VS073, VS091-VS094, VS131-VS132, VS176-VS177, VS261-VS262, VS266-VS268 | |
| 61 | 24 PK | D10064 | 63 | 73-21-18 | D08028J | 3 | | 2 | | VK020-VK020, VK180-VK190, VL806-VL810, VL930-VL930, VN190-VN190, VN290-VN290, VN530-VN530, VN950-VN950, VN960-VN960, VN968-VN970, VR421-VR421, VR461-VR461, VS051-VS052, VS061-VS061, VS066-VS070, VS073-VS073, VS091-VS094, VS131-VS132, VS176-VS177, VS261-VS262, VS266-VS268 | |
| 61 | 24 PK | TB0182Y | C014 BJ | 73-21-18 | D08028J | 3 | | 3 | | VK161-VK161, VN223-VN230, VN251-VN260, VN671-VN675, VN681-VN683 | |
| 61 | 24 PK | TB0182Y | A021 BJ | 73-21-18 | D08028J | 3 | | 3 | | VL751-VL790, VN634-VN650 | |
| 61 | 24 PK | TB0182Y | A008 BJ | 73-21-18 | D08028J | 3 | | 1 | | VL871-VL880 | |
| 61 | 24 PK | TB0182Y | A021 BJ | 73-21-18 | D08028J | 3 | | 3 | | VL891-VL909 | |
| 61 | 24 PK | TB0182Y | A021 BJ | 73-21-18 | D08028J | 3 | | 1 | | VL910-VL910 | |

286T1114-101
Wire Bundle Assembly
Figure 117 (Sheet 35)

25-71-01



BOEING
COMPONENT
MAINTENANCE MANUAL

| WIRE | | | FROM EQUIPMENT | | | | TO EQUIPMENT | | | | WIRE INFO | | | |
|--------|----|-----|----------------|------|----------|--------------|--------------|------|----|---------|-----------|------------------|--|--|
| NUMBER | GA | TYP | NUMBER | TERM | TT | WDM REF | NUMBER | TERM | TT | EMC/SEP | FT | NOTES | EFFECTIVITY | |
| 61 | 24 | PK | TB0182Y A013 | BJ | 73-21-18 | D08028J | 3 | | | | 3 | | VN221-VN222, VN301-VN340 | |
| 61 | 24 | PK | D10064 | 63 | 73-21-18 | D08028J | 3 | | | | 3 | | VN491-VN529 | |
| 62 | 24 | PV | D10062 | 8 | 73-21-18 | D08036J | 16 | | | | 4 | | VA001-VB410, VB421-VE120, VE141-VE146, VE171-VE180, VF001-VF002, VF021-VF040, VF061-VF110, VF161-VF180, VK001-VK019, VK021-VK080, VK131-VK140, VK161-VK179, VL011-VL040, VL751-VL790, VL796-VL805, VL891-VL909, VL911-VL929, VL931-VL940, VN001-VN015, VN171-VN189, VN211-VN289, VN371-VN529, VN531-VN650, VN671-VN675, VN681-VN730, VN791-VN810, VN921-VN949, VN951-VN959, VN966-VN967, VN971-VN990, VR471-VR471, VS206-VS207 | |
| 62 | 24 | PV | TB0182Y C003 | BJ | 73-21-18 | D08036J | 16 | | | | 4 | ZSZ-B6 | VE121-VE126, VF041-VF042 | |
| 62 | 24 | PV | D08036J | 16 | 73-21-18 | TB0182Y C003 | BJ | | | | 4 | | VE127-VE140, VE147-VE170, VF003-VF010, VF043-VF060, VL007-VL010, VN016-VN050, VN301-VN340, VS196-VS199 | |
| 62 | 24 | PV | D10062 | 8 | 73-21-18 | D08036J | 16 | | | | 2 | | VF251-VF260, VK020-VK020, VK180-VK190, VL806-VL810, VL910-VL910, VL930-VL930, VN190-VN190, VN290-VN290, VN530-VN530, VN950-VN950, VN960-VN960, VN968-VN970, VR421-VR421, VR461-VR461, VS051-VS052, VS061-VS061, VS066-VS070, VS073-VS073, VS091-VS094, VS131-VS132, VS176-VS177, VS261-VS262, VS266-VS268 | |
| 62 | 24 | PV | D08036J | 16 | 73-21-18 | TB0182Y C003 | BJ | | | | 4 | MLA-F2 MNT-F2 | VL001-VL006 | |
| 62 | 24 | PV | D13598 | 8 | 73-21-18 | D08036J | 16 | | | | 2 | | VL871-VL880 | |

286T1114-101
Wire Bundle Assembly
Figure 117 (Sheet 36)

25-71-01



COMPONENT
MAINTENANCE MANUAL

| WIRE | | FROM EQUIPMENT | | | TO EQUIPMENT | | | WIRE INFO | | | | | |
|--------|----|----------------|---------|------|--------------|----------|---------|-----------|----|---------|----|--------|--|
| NUMBER | GA | TYP | NUMBER | TERM | TT | WDM REF | NUMBER | TERM | TT | EMC/SEP | FT | NOTES | EFFECTIVITY |
| 062Z | | | D10062 | DED | | 73-21-18 | D08036J | DED | | | | | VA001-VB410, VB421-VE120, VE141-VE146, VE171-VE180, VF001-VF002, VF021-VF040, VF061-VF110, VF161-VF180, VF251-VF260, VK001-VK080, VK131-VK140, VK161-VK190, VL011-VL040, VL751-VL790, VL796-VL810, VL891-VL940, VN001-VN015, VNI71-VNI90, VN211-VN290, VN371-VN650, VNG71-VN675, VNG81-VN730, VN791-VN810, VN921-VN960, VN966-VN990, VR421-VR421, VR461-VR461, VR471-VR471, VS051-VS052, VS061-VS061, VS066-VS070, VS073-VS073, VS091-VS094, VS131-VS132, VS176-VS177, VS206-VS207, VS261-VS262, VS266-VS268 |
| 062Z | | | TB0182Y | DED | | 73-21-18 | D08036J | DED | | | | ZSZ-B6 | VE121-VE126, VF041-VF042 |
| 062Z | | | D08036J | DED | | 73-21-18 | TB0182Y | DED | | | | | VE127-VE140, VE147-VE170, VF003-VF010, VF043-VF060, VL007-VL010, VNO16-VNO50, VN301-VN340, VS196-VS199 |
| 062Z | | | D08036J | DED | | 73-21-18 | TB0182Y | DED | | | | | VL001-VL006 |
| 63 | 24 | PV | D10064 | 8 | | 73-21-18 | D08036J | 17 | | | 4 | | VL871-VL880 |
| | | | | | | | | | | | | | VA001-VB410, VB421-VE120, VE141-VE146, VE171-VE180, VF001-VF002, VF021-VF040, VF061-VF110, VF161-VF180, VK001-VK019, VK021-VK080, VK131-VK140, VK161-VK179, VL011-VL040, VL751-VL790, VL796-VL805, VL891-VL909, VL911-VL929, VL931-VL940, VN001-VN015, VNI71-VNI89 VN211-VN289, VN371-VN529, VNS31-VN650, VNG71-VNG75, VNG81-VN730, VN791-VN810, VN921-VN949, VN951-VN959, VN966-VN967, VN971-VN990, VR471-VR471, VS206-VS207 |
| 63 | 24 | PV | TB0182Y | A006 | BJ | 73-21-18 | D08036J | 17 | | | 4 | ZSZ-B6 | VE121-VE126, VF041-VF042 |
| 63 | 24 | PV | D08036J | 17 | | 73-21-18 | TB0182Y | A006 | BJ | | 4 | | VE127-VE140, VE147-VE170, VF003-VF010, VF043-VF060, VL007-VL010, VNO16-VNO50, VN301-VN340, VS196-VS199 |

286T1114-101
Wire Bundle Assembly
Figure 117 (Sheet 37)

25-71-01



BOEING
COMPONENT
MAINTENANCE MANUAL

| WIRE | | FROM EQUIPMENT | | | TO EQUIPMENT | | | WIRE INFO | | | | | |
|--------|-------|----------------|---------|------|--------------|----------|---------|-----------|----|---------|----|------------------|--|
| NUMBER | Gauge | TYP | NUMBER | TERM | TT | WDM REF | NUMBER | TERM | TT | EMC/SEP | FT | NOTES | EFFECTIVITY |
| 63 | 24 | PV | D10064 | 8 | | 73-21-18 | D08036J | 17 | | | 2 | | VF251-VF260, VK020-VK020, VK180-VK190, VL806-VL810, VL910-VL910, VL930-VL930, VN190-VN190, VN290-VN290, VN530-VN530, VN950-VN950, VN960-VN960, VN968-VN970, VR421-VR421, VR461-VR461, VS051-VS052, VS061-VS061, VS066-VS070, VS073-VS073, VS091-VS094, VS131-VS132 VS176-VS177, VS261-VS262, VS266-VS268 |
| 63 | 24 | PV | D08036J | 17 | | 73-21-18 | TB0182Y | A006 | BJ | | 4 | MLA-F2 MNT-T2 | VL001-VL006 |
| 63 | 24 | PV | D13600 | 8 | | 73-21-18 | D08036J | 17 | | | 2 | | VL871-VL880 |
| 063Z | | | D10064 | DED | | 73-21-18 | D08036J | DED | | | | | VA001-VB410, VB421-VE120, VE141-VE146, VE171-VE180, VF001-VF040, VF021-VF040, VF061-VF110, VF161-VF180, VF251-VF260, VK001-VK080, VK131-VK140, VK161-VK190, VL011-VL040, VL751-VL790, VL796-VL810, VL891-VL940, VN001-VN015, VN171-VN190, VN211-VN290, VN371-VN650, VN671-VN675, VN681-VN730, VN791-VN810, VN921-VN960, VN966-VN990, VR421-VR421, VR461-VR461, VR471-VR471, VS051-VS052, VS061-VS061, VS066-VS070, VS073-VS073, VS091-VS094, VS131-VS132, VS176-VS177, VS206-VS207, VS261-VS262, VS266-VS268 |
| 063Z | | | TB0182Y | DED | | 73-21-18 | D08036J | DED | | | | ZSZ-B6 | VE121-VE126, VF041-VF042 |
| 063Z | | | D08036J | DED | | 73-21-18 | TB0182Y | DED | | | | | VE127-VE140, VE147-VE170, VF003-VF010, VF043-VF060, VL007-VL010, VN016-VN050, VN301-VN340, VS196-VS199 |
| 063Z | | | D08036J | DED | | 73-21-18 | TB0182Y | DED | | | | | VL001-VL006 |
| 64 | 22 | PA | D10064 | 4 | | 73-21-18 | GDX0003 | D.. | 2 | | 4 | | VL871-VL880 |
| | | | D13600 | DED | | | | | | | | | VA001-VB410, VB421-VE180, VF001-VF010, VF021-VF110, VF161-VF180, VK001-VK019, VK021-VK080, VK131-VK140, VK161-VK179, VL001-VL040, VL751-VL790, VL796-VL805, VL891-VL909, VL911-VL929, VL931-VL940, VN001-VN050, VN171-VN189, VN211-VN289, VN301-VN340, VN371-VN529, VN531-VN650, VN671-VN675, VN681-VN730, VN791-VN810, VN921-VN949, VN951-VN959, VN966-VN967, VN971-VN990, VR471-VR471, VS196-VS199, VS206-VS207 |

286T1114-101
Wire Bundle Assembly
Figure 117 (Sheet 38)

25-71-01

| WIRE | | | FROM EQUIPMENT | | | TO EQUIPMENT | | | WIRE INFO | | | | |
|--------|----|-----|----------------|------|----|--------------|---------|------|-----------|---------|----|--------|---|
| NUMBER | GA | TYP | NUMBER | TERM | TT | WDM REF | NUMBER | TERM | TT | EMC/SEP | FT | NOTES | EFFECTIVITY |
| 64 | 22 | PA | D10064 | 4 | | 73-21-18 | GDX0003 | D.. | 2 | | 2 | | VF251-VF260, VK020-VK020, VK180-VK190, VL806-VL810, VL910-VL910, VL930-VL930, VN190-VN190, VN290-VN290, VN330-VN330, VN950-VN950, VN960-VN960, VN968-VN970, VR421-VR421, VR461-VR461, VS051-VS052, VS061-VS061, VS066-VS070, VS073-VS073, VS091-VS094, VS131-VS132, VS176-VS177, VS261-VS262, VS266-VS268 |
| 64 | 22 | PA | D13600 | 4 | | 73-21-18 | GDX0003 | D.. | 2 | | 2 | | VL871-VL880 |
| 65 | 24 | PK | D10062 | 63 | | 73-21-18 | TB0248Y | C014 | BJ | | 5 | | VA021-VA300, VA720-VA800, VA811-VA999, VB003-VB050, VB203-VB250, VB285-VB300, VB303-VB320, VB374-VB400, VE004-VE020, VE024-VE040, VE044-VE060, VE070-VE082, VK010-VK011, VK023-VK030 |
| 65 | 24 | PK | D10062 | 63 | | 73-21-18 | TB0248Y | C014 | BJ | | 5 | MOT-F2 | VA701-VA719, VB201-VB202, VB281-VB284, VB371-VB373, VK001-VK009, VK021-VK022 |
| 65 | 24 | PK | D10062 | 63 | | 73-21-18 | TB0182Y | C008 | BJ | | 4 | MNU-T2 | VF071-VF090, VK161-VK161, VN223-VN230, VN251-VN260, VM671-VM675, VM681-VM683 |
| 65 | 24 | PK | D10062 | 63 | | 73-21-18 | TB0182Y | C021 | BJ | | 3 | | VF251-VF260, VL910-VL910 |
| 65 | 24 | PK | D10062 | 63 | | 73-21-18 | TB0182Y | C021 | BJ | | 4 | | VL751-VL790, VL891-VL909, VN634-VN650 |
| 65 | 24 | PK | D13598 | 63 | | 73-21-18 | TB0182Y | C008 | BJ | | 3 | | VL871-VL880 |
| 65 | 24 | PK | D10062 | 63 | | 73-21-18 | TB0182Y | C013 | BJ | | 4 | | VN301-VN340 |
| 065A | 24 | PK | D10062 | 63 | | 73-21-18 | TB0182Y | C008 | BJ | | 5 | MNU-T2 | VN221-VN222 |
| 66 | 22 | PA | D10062 | 4 | | 73-21-18 | GDX0003 | D.. | 2 | | 4 | | VA001-VB410, VB421-VE180, VF001-VF010, VF021-VF110, VF161-VF180, VK001-VK019, VK021-VK080, VK131-VK140, VK161-VK179, VL001-VL040, VL751-VL790, VL796-VL805, VL891-VL909, VL911-VL929, VL931-VL940, VN001-VN050, VN171-VN189, VN211-VN289, VN301-VN340, VN371-VN529, VN531-VN650, VN671-VN675, VN681-VN730, VN791-VN810, VN921-VN949, VN951-VN959, VN966-VN967, VN971-VN990, VR471-VR471, VS196-VS199, VS206-VS207 |

286T1114-101
Wire Bundle Assembly
Figure 117 (Sheet 39)

25-71-01



BOEING
COMPONENT
MAINTENANCE MANUAL

| WIRE | | FROM EQUIPMENT | | | TO EQUIPMENT | | | WIRE INFO | | | | | |
|--------|----|----------------|--------|------|--------------|----------|---------|-----------|----|---------|----|-------|---|
| NUMBER | GA | TYP | NUMBER | TERM | TT | WDM REF | NUMBER | TERM | TT | EMC/SEP | FT | NOTES | EFFECTIVITY |
| 66 | 22 | PA | D10062 | 4 | | 73-21-18 | GDX0003 | D.. | 2 | | 2 | | VF251-VF260, VK020-VK020, VK180-VK190, VL806-VL810, VL910-VL910, VL930-VL930, VN190-VN190, VN290-VN290, VN530-VN530, VN950-VN950, VN960-VN960, VN968-VN970, VR421-VR421, VR461-VR461, VS051-VS052, VS061-VS061, VS066-VS070, VS073-VS073, VS091-VS094, VS131-VS132, VS176-VS177, VS261-VS262, VS266-VS268 |
| 66 | 22 | PA | D13598 | 4 | | 73-21-18 | GDX0003 | D.. | 2 | | 2 | | VL871-VL880 |
| 67 | 24 | PK | D10062 | 65 | | 73-21-18 | TB0182X | A012 | BJ | | 4 | | VF071-VF090, VL751-VL790, VN221-VN230, VN301-VN340, VN671-VN675 |
| 67 | 24 | PK | D10062 | 65 | | 73-21-18 | TB0182X | A012 | BJ | | 3 | | VF251-VF260 |
| 67 | 24 | PK | D13598 | 65 | | 73-21-18 | TB0182X | A016 | BJ | | 3 | | VL871-VL880 |
| 67 | 24 | PK | D10062 | 65 | | 73-21-18 | TB0182X | C013 | BJ | | 4 | | VL891-VL909, VN634-VN650 |
| 67 | 24 | PK | D10062 | 65 | | 73-21-18 | TB0182X | C013 | BJ | | 3 | | VL910-VL910 |
| 68 | 22 | PA | D10062 | 28 | | 73-21-18 | GDX0003 | D.. | 2 | | 4 | | VA001-VB410, VB421-VE180, VF001-VF010, VF021-VF110, VF161-VF180, VK001-VK019, VK021-VK080, VK131-VK140, VK161-VK179, VL001-VL040, VL751-VL790, VL796-VL805, VL891-VL909, VL911-VL929, VL931-VL940, VN001-VN050, VN171-VN189, VN211-VN289, VN301-VN340, VN371-VN529, VN531-VN650, VN671-VN675, VN681-VN730, VN791-VN810, VN921-VN949, VN951-VN959, VN966-VN967, VN971-VN990, VR471-VR471, VS196-VS199, VS206-VS207 |
| 68 | 22 | PA | D10062 | 28 | | 73-21-18 | GDX0003 | D.. | 2 | | 2 | | VF251-VF260, VK020-VK020, VK180-VK190, VL806-VL810, VL910-VL910, VL930-VL930, VN190-VN190, VN290-VN290, VN530-VN530, VN950-VN950, VN960-VN960, VN968-VN970, VR421-VR421, VR461-VR461, VS051-VS052, VS061-VS061, VS066-VS070, VS073-VS073, VS091-VS094, VS131-VS132, VS176-VS177, VS261-VS262, VS266-VS268 |
| 68 | 22 | PA | D13598 | 28 | | 73-21-18 | GDX0003 | D.. | 2 | | 2 | | VL871-VL880 |

286T1114-101
Wire Bundle Assembly
Figure 117 (Sheet 40)

25-71-01

TESTING & FAULT ISOLATION
01 Page 150K
Nov 01/02

| WIRE | | FROM EQUIPMENT | | | TO EQUIPMENT | | | WIRE INFO | | | |
|--------|--------|----------------|---------|----------|--------------|---------|----------|-----------|-------|---|--|
| NUMBER | GA TYP | NUMBER | TERM TT | WDM REF | NUMBER | TERM TT | EMC/ SEP | FT | NOTES | EFFECTIVITY | |
| 69 | 22 PA | D10064 | 28 | 73-21-18 | GDX0003 | D.. 2 | | 4 | | VA001-VB410, VB421-VE180, VK001-VF010, VF021-VF110, VF161-VF180, VK001-VK019, VK021-VK080, VK131-VK140, VK161-VK179, VL001-VL040, VL751-VL790, VL796-VL805, VL891-VL909, VL911-VL929, VL931-VL940, VN001-VN050, VN171-VN189, VN211-VN289, VN301-VN340, VN371-VN529, VN531-VN650, VN671-VN675, VN681-VN730, VN791-VN810, VN921-VN949, VN951-VN959, VN966-VN967, VN971-VN990, VR471-VR471, VS196-VS199, VS206-VS207 | |
| 69 | 22 PA | D10064 | 28 | 73-21-18 | GDX0003 | D.. 2 | | 2 | | VF251-VF260, VK020-VK020, VK180-VK190, VL806-VL810, VL910-VL910, VL930-VL930, VNI90-VNI90, VN290-VN290, VN530-VN530, VN950-VN950, VN960-VN960, VN968-VN970, VR421-VR421, VR461-VR461, VS051-VS052, VS061-VS061, VS066-VS070, VS073-VS073, VS091-VS094, VS131-VS132 VS176-VS177, VS261-VS262, VS266-VS268 | |
| 69 | 22 PA | D13600 | 28 | 73-21-18 | GDX0003 | D.. 2 | | 2 | | VL871-VL880 | |
| 70 | 24 FK | D10064 | 18 | 80-11-11 | D08028J | 18 | | 4 | | VA001-VA020, VA301-VA315, VA501-VA509, VA701-VA710, VA801-VA810, VB001-VB002, VB051-VB054, VB101-VB110, VB201-VB202, VB251-VB253, VB281-VB284, VB301-VB301, VB321-VB322, VE001-VE002 | |
| 70 | 24 PV | D10064 | 18 | 80-11-11 | D08028J | 18 | | 4 | | VA021-VA300, VA316-VA500, VA510-VA700, VA711-VA900, VA811-VA999, VB003-VB050, VB055-VB100, VB111-VB200, VB203-VB250, VB254-VB280, VB285-VB300, VB302-VB320, VB323-VB410, VB421-VB421, VE003-VE180, VF001-VF010, VF021-VF110, VF161-VF180, VK001-VK019, VK021-VK080, VK131-VK140, VK161-VK179, VL001-VL040, VL751-VL790, VL796-VL805, VL891-VL909, VL911-VL929, VL931-VL940, VN001-VN050, VN171-VN189, VN211-VN289, VN301-VN340, VN371-VN529, VN531-VN650, VN671-VN675, VN681-VN730, VN791-VN810, VN921-VN949, VN951-VN959, VN966- | |

286T1114-101
Wire Bundle Assembly
Figure 117 (Sheet 41)

25-71-01



BOEING
COMPONENT
MAINTENANCE MANUAL

| WIRE | | FROM EQUIPMENT | | | TO EQUIPMENT | | | WIRE INFO | | |
|--------|--------|----------------|---------|----------|--------------|---------|---------|-----------|-------|---|
| NUMBER | GA TYP | NUMBER | TERM TT | WDM REF | NUMBER | TERM TT | EMC/SEP | FT | NOTES | EFFECTIVITY |
| 70 | 24 PV | D10064 | 18 | 80-11-11 | D08028J | 18 | | 2 | | VF251-VF260, VK020-VK020, VK180-VK190, VL806-VL810, VL910-VL910, VL930-VL930, VN190-VN190, VN290-VN290, VN530-VN530, VN950-VN950, VN960-VN960, VN968-VN970, VR421-VR421, VR461-VR461, VS051-VS052, VS061-VS061, VS066-VS070, VS073-VS073, VS091-VS094, VS131-VS132, VS176-VS177, VS261-VS262, VS266-VS268 |
| 70 | 24 PV | D13600 | 18 | 80-11-11 | D08028J | 18 | | 2 | | VL871-VL879 |
| 70 | 24 PV | D13600 | 18 | 80-11-11 | D08028J | 18 | | 2 | | VL880-VL880 |
| 070Z | | D10064 | DED | 80-11-11 | D08028J | DED | | | | VA021-VA300, VA316-VA500, VA510-VA700, VA711-VA800, VA811-VA999, VB003-VB050, VB055-VB100, VB111-VB200, VB203-VB250, VB254-VB280, VB285-VB300, VB302-VB320, VB323-VB410, VB421-VB999, VE003-VE180, VF001-VF010, VF021-VF110, VF161-VF180, VF251-VF260, VK001-VK080, VK131-VK140, VK161-VK190, VL001-VL040, VL751-VL790, VL796-VL810, VL891-VL940, VN001-VN050, VN171-VN190, VN211-VN290, VN301-VN340, VN371-VN650, VN671-VN675, VNG81-VN730, VN791-VN810, VN921-VN960, VN966-VN990, VR421-VR421, VR461-VR461, VR471-VR471, VS051-131-VS132, VS176-VS177, VS196-VS199, VS206-VS207, VS261-VS262, VS266-VS268 |
| 070Z | 24 PK | D13600 | DED | 80-11-11 | D08028J | DED | | 4 | | VL871-VL880 |
| 71 | 24 PK | D10064 | 40 | 80-11-11 | D08028J | 19 | | | | VA001-VA020, VA301-VA315, VA501-VA509, VA701-VA710, VA801-VA810, VB001-VB002, VB051-VB054, VB101-VB110, VB301-VB302, VB251-VB253, VB281-VB284, VB301-VB301, VB321-VB322, VE001-VE002 |

286T1114-101
Wire Bundle Assembly
Figure 117 (Sheet 42)

25-71-01

| WIRE | | FROM EQUIPMENT | | | TO EQUIPMENT | | | WIRE INFO | | |
|--------|--------|----------------|---------|----------|--------------|---------|---------|-----------|-------|--|
| NUMBER | GA TYP | NUMBER | TERM TT | WDM REF | NUMBER | TERM TT | EMC/SEP | FT | NOTES | EFFECTIVITY |
| 71 | 24 PV | D10064 | 40 | 80-11-11 | D08028J | 19 | | 4 | | VA021-VA300, VA316-VA500, VA510-VA700, VA711-VA800, VA811-VA999, VB003-VB050, VB055-VB100, VB111-VB200, VB203-VB250, VB254-VB280, VB285-VB300, VB302-VB320, VB323-VB410, VB421-VD999, VE003-VE180, VF001-VF010, VF021-VF110, VF161-VF180, VK001-VK019, VK021-VK080, VK131-VK140, VK161-VK179, VL001-VL040, VL751-VL790, VL796-VL805, VL891-VL909, VL911-VL929, VL931-VL940, VN001-VN050, VN171-VN189, VN211-VN289, VN301-VN340, VN371-VN529, VN531-VN650, VN671-VN675, VN681-VN730, VN791-VN810, VN921-VN949, VN951-VN959, VN966-VF251-VF260, VK020-VK020, VK180-VK190, VL806-VL810, VL910-VL930, VL930-VL930, VN190-VN190, VN290-VN290, VN530-VN530, VN950-VN950, VN960-VN960, VN968-VN970, VR421-VR421, VR461-VR461, VS051-VS052, VS061-VS061, VS066-VS070, VS073-VS073, VS091-VS094, VS131-VS132, VS176-VS177, VS261-VS262, VS266-VS268 |
| 71 | 24 PV | D10064 | 40 | 80-11-11 | D08028J | 19 | | 2 | | VL871-VL879 VL880-VL880 |
| 71 | 24 PV | D13600 | 40 | 80-11-11 | D08028J | 19 | | 2 | | VA021-VA300, VA316-VA500, VA510-VA700, VA711-VA800, VA811-VA999, VB003-VB050, VB055-VB100, VB111-VB200, VB203-VB250, VB254-VB280, VB285-VB300, VB302-VB320, VB323-VB410, VB421-VD999, VE003-VE180, VF001-VF010, VF021-VF110, VF161-VF180, VF251-VF260, VK001-VK080, VK131-VK140, VK161-VK190, VL001-VL040, VL751-VL790, VL796-VL810, VL891-VL940, VN001-VN050, VN171-VN190, VN211-VN290, VN301-VN340, VN371-VN650, VN671-VN675, VN681-VN730, VN791-VN810, VN921-VN960, VN966-VN990, VR421-VR421, VR461-VR461, VS051-VS052, VS061-VS132, VS176-VS177, VS196-VS199, VS206-VS207, VS261-VS262, VS266-VS268 |
| 071Z | 24 PV | D10064 | DED | 80-11-11 | D08028J | DED | | 2 | | VL871-VL880 |

 286T1114-101
 Wire Bundle Assembly
 Figure 117 (Sheet 43)

25-71-01



BOEING
COMPONENT
MAINTENANCE MANUAL

| WIRE | | FROM EQUIPMENT | | | TO EQUIPMENT | | | WIRE INFO | | | |
|--------|--------|----------------|---------|----------|--------------|------|----|-----------|----|-------|--|
| NUMBER | GA TYP | NUMBER | TERM TT | WDM REF | NUMBER | TERM | TT | EMC/SEP | FT | NOTES | EFFECTIVITY |
| 72 | 22 PQ | D10062 | 36 | 30-31-11 | GDX0003 | D.. | 2 | | 4 | | VA001-VB410, VB421-VE180, VF001-VF010, VF021-VF110, VF161-VF180, VK001-VK019, VK021-VK080, VK131-VK140, VK161-VK179, VL001-VL040, VL751-VL790, VL796-VL805, VL891-VL909, VL911-VL929, VL931-VL940, VN001-VN050, VN171-VN189, VN211-VN289, VN301-VN340, VN371-VN529, VN531-VN650, VN671-VN675, VN681-VN730, VN791-VN810, VN921-VN949, VN951-VN959, VN966-VN967, VN971-VN990, VR471-VR471, VS196-VS199, VS206-VS207 |
| 72 | 22 PQ | D10062 | 36 | 30-31-11 | GDX0003 | D.. | 2 | | 2 | | VF251-VF260, VK020-VK020, VK180-VK190, VL806-VL810, VL910-VL910, VL930-VL930, VN190-VN190, VN290-VN290, VN530-VN530, VN950-VN950, VN960-VN960, VN968-VN970, VR421-VR421, VR461-VR461, VS051-VS052, VS061-VS061, VS066-VS070, VS073-VS073, VS091-VS094, VS131-VS132, VS176-VS177, VS261-VS262, VS266-VS268 |
| 72 | 22 PQ | D13598 | 36 | 30-31-11 | GDX0003 | D.. | 2 | | 2 | | VL871-VL880 |
| 072Z | | D10062 | DED | 30-31-11 | GDX0003 | DED | | | | | VA001-VB410, VS421-VE180, VF001-VF010, VF021-VF110, VF161-VF180, VF251-VF260, VK001-VK080, VK131-VK140, VK161-VK190, VL001-VL040, VL751-VL790, VL796-VL810, VL891-VL940, VN001-VN050, VN171-VN190, VN211-VN290, VN301-VN340, VN371-VN650, VN671-VN675, VN681-VN730, VN791-VN810, VN921-VN960, VN966-VN990, VR421-VR421, VR461-VR461, VS051-VS052, VS061-VS061, VS066-VS070, VS073-VS073, VS091-VS094, VS131-VS132, VS176-VS177, VS196-VS199, VS206-VS207, VS261-VS262, VS266-VS268 |
| 072Z | | D13598 | DED | 30-31-11 | GDX0003 | DED | | | | | VL871-VL880 |

286T1114-101
Wire Bundle Assembly
Figure 117 (Sheet 44)

25-71-01

| WIRE | | | FROM EQUIPMENT | | | | TO EQUIPMENT | | | | WIRE INFO | | | |
|--------|----|-----|----------------|------|----|----------|--------------|------|----|---------|-----------|-------|---|--|
| NUMBER | GA | TYP | NUMBER | TERM | TT | WDM REF | NUMBER | TERM | TT | EMC/SEP | PT | NOTES | EFFECTIVITY | |
| 73 | 24 | FV | D10062 | 1 | | 30-31-11 | TB0248Y | C013 | BJ | | 4 | | VA001-VB410, VB421-VE180, VF001-VF010, VF021-VF110, VF161-VF180, VK001-VK019, VK021-VK080, VK131-VK140, VK161-VK179, VL001-VL040, VL751-VL790, VL796-VL805, VL891-VL909, VL911-VL929, VL931-VL940, VN001-VN050, VN171-VN189, VN211-VN289, VN301-VN340, VN371-VN529, VN531-VN650, VN671-VN675, VN681-VN730, VN791-VN810, VN921-VN949, VN951-VN959, VN966-VN967, VN971-VN990, VR471-VR471, VS196-VS199, VS206-VS207 | |
| 73 | 24 | FV | D10062 | 1 | | 30-31-11 | TB0248Y | C013 | BJ | | 3 | | VF251-VF260, VK020-VK020, VK180-VK190, VL806-VL810, VL910-VL910, VL930-VL930, VN190-VN190, VN290-VN290, VN530-VN530, VN950-VN950, VN960-VN960, VN968-VN970, VR421-VR421, VR461-VR461, VS051-VS052, VS061-VS061, VS066-VS070, VS073-VS073, VS091-VS094, VS131-VS132, VS176-VS177, VS261-VS262, VS266-VS268 | |
| 73 | 24 | FV | D13598 | 1 | | 30-31-11 | TB0248Y | C013 | BJ | | 3 | | VL871-VL880 | |
| 073Z | | | D10062 | DED | | 30-31-11 | TB0248Y | DED | | | | | VA001-VB410, VB421-VE180, VF001-VF010, VF021-VF110, VF161-VF180, VF251-VF260, VK001-VK080, VK131-VK140, VK161-VK190, VL001-VL040, VL751-VL790, VL796-VL810, VL891-VL940, VN001-VN050, VN171-VN190, VN211-VN290, VN301-VN340, VN371-VN650, VN671-VN675, VN681-VN730, VN791-VN810, VN921-VN960, VN966-VN990, VR421-VR421, VR461-VR461, VR471-VR471, VS051-VS052, VS061-VS061, VS066-VS070, VS073-VS073, VS091-VS094, VS131-VS132, VS176-VS177, VS196-VS199, VS206-VS207, VS261-VS262, VS266-VS268 | |
| 073Z | | | D13598 | DED | | 30-31-11 | TB0248Y | DED | | | | | VL871-VL880 | |

 286T1114-101
 Wire Bundle Assembly
 Figure 117 (Sheet 45)

25-71-01

 TESTING & FAULT ISOLATION
 01 Page 150P
 Nov 01/02



BOEING
COMPONENT
MAINTENANCE MANUAL

| WIRE | | FROM EQUIPMENT | | | TO EQUIPMENT | | | WIRE INFO | | | | | |
|--------|----|----------------|--------|------|--------------|----------|---------|-----------|----|---------|----|-------|--|
| NUMBER | GA | TYP | NUMBER | TERM | TT | WDM REF | NUMBER | TERM | TT | EMC/SEP | FT | NOTES | EFFECTIVITY |
| 74 | 24 | PV | D10064 | 1 | | 30-31-11 | TE0248Y | C013 | BJ | | 4 | | VA001-VB410, VB421-VE180, VF001-VF010, VF021-VF110, VF161-VF180, VK001-VK019, VK021-VK080, VK131-VK140, VK161-VK179, VL001-VL040, VL751-VL790, VL796-VL805, VL891-VL909, VL911-VL929, VL931-VL940, VN001-VN050, VN171-VN189, VN211-VN289, VN301-VN340, VN371-VN529, VN531-VN650, VN671-VN675, VN681-VN730, VN791-VN810, VN921-VN949, VN951-VN959, VN966-VN967, VN971-VN990, VR471-VR471, VS196-VS199, VS206-VS207 |
| 74 | 24 | PV | D10064 | 1 | | 30-31-11 | TE0248Y | C013 | BJ | | 3 | | VF251-VF260, VK020-VK020, VK180-VK190, VL806-VL810, VL910-VL910, VL930-VL930, VN190-VN190, VN290-VN290, VN530-VN530, VN950-VN950, VN960-VN960, VN968-VN970, VR421-VR421, VR461-VR461, VS051-VS052, VS061-VS061, VS066-VS070, VS073-VS073, VS091-VS094, VS131-VS132, VS176-VS177, VS261-VS262, VS266-VS268 |
| 74 | 24 | PV | D13600 | 1 | | 30-31-11 | TE0248Y | C013 | BJ | | 3 | | VL871-VL880 |
| 074Z | | | D10064 | DED | | 30-31-11 | TE0248Y | DED | | | | | VA001-VB410, VB421-VE180, VF001-VF010, VF021-VF110, VF161-VF180, VK001-VK080, VK131-VK140, VK161-VK179, VL001-VL040, VL751-VL790, VL796-VL810, VL891-VL940, VN001-VN050, VN171-VN190, VN211-VN290, VN301-VN340, VN371-VN650, VN671-VN675, VN681-VN730, VN791-VN810, VN921-VN960, VN966-VN990, VR421-VR421, VR461-VR461, VR471-VR471, VS051-VS052, VS061-VS061, VS066-VS070, VS073-VS073, VS091-VS094, VS131-VS132, VS176-VS177, VS196-VS199, VS206-VS207, VS261-VS262, VS266-VS268 |
| 074Z | | | D13600 | DED | | 30-31-11 | TE0248Y | DED | | | | | VL871-VL880 |

286T1114-101
Wire Bundle Assembly
Figure 117 (Sheet 46)

25-71-01

| WIRE | | FROM EQUIPMENT | | | TO EQUIPMENT | | | WIRE INFO | | | | | |
|--------|----|----------------|--------|------|--------------|----------|---------|-----------|----|-----------|----|-------|---|
| NUMBER | GA | TYP | NUMBER | TERM | TT | WDM REF | NUMBER | TERM | TT | EMC / SEP | FT | NOTES | EFFECTIVITY |
| 75 | 22 | PQ | D10064 | 36 | | 30-31-11 | GDX0005 | D.. | 2 | | 4 | | VA001-VB410,VB421-VE180,VF001-VF010,VF021-VF110,VF161-VF180,VK001-VK019,VK021-VK080,VK131-VK140,VK161-VK179,VL001-VL040,VL751-VL790,VL796-VL805,VL891-VL909,VL911-VL929,VL931-VL940,VN001-VN050,VN171-VN189,VN211-VN289,VN301-VN340,VN371-VN529,VN531-VN650,VN671-VN675,VN681-VN730,VN791-VN810,VN921-VN949,VN951-VN959,VN966-VN967,VN971-VN990,VR471-VR471,VS196-VS199,VS206-VS207 |
| 75 | 22 | PQ | D10064 | 36 | | 30-31-11 | GDX0005 | D.. | 2 | | 2 | | VF251-VF260,VK020-VK020,VK180-VK190,VL806-VL810,VL910-VL910,VL930-VL930,VN190-VN190,VN290-VN290,VN530-VN530,VN950-VN950,VN960-VN968-VN970,VR421-VR421,VR461-VR461,VS051-VS052,VS061-VS061,VS066-VS070,VS073-VS073,VS091-VS094,VS131-VS132,VS176-VS177,VS261-VS262,VS266-VS268 |
| 75 | 22 | PQ | D13600 | 36 | | 30-31-11 | GDX0005 | D.. | 2 | | 2 | | VL871-VL880 |
| 075Z | | | D10064 | DED | | 30-31-11 | GDX0005 | DED | | | | | VA001-VB410,VB421-VE180,VF001-VF010,VF021-VF110,VF161-VF180,VF251-VF260,VK001-VK080,VK131-VK140,VK161-VK190,VL001-VL040,VL751-VL790,VL796-VL810,VL891-VL940,VN001-VN050,VN171-VN190,VN211-VN290,VN301-VN340,VN371-VN650,VN671-VN681-VN730,VN791-VN810,VN921-VN960,VN966-VN990,VR421-VR421,VR461-VR461,VR471-VR471,VS051-VS052,VS061-VS061,VS066-VS070,VS073-VS073,VS091-VS094,VS131-VS132,VS176-VS177,VS196-VS199,VS206-VS207,VS261-VS262,VS266-VS268 |
| 075Z | | | D13600 | DED | | 30-31-11 | GDX0005 | DED | | | | | VL871-VL880 |

 286T1114-101
 Wire Bundle Assembly
 Figure 117 (Sheet 47)

25-71-01

 TESTING & FAULT ISOLATION
 01
 Page 150R
 Nov 01/02



BOEING
COMPONENT
MAINTENANCE MANUAL

| WIRE | | | FROM EQUIPMENT | | | | TO EQUIPMENT | | | | WIRE INFO | | | |
|--------|----|-----|----------------|------|----|----------|--------------|------|----|---------|-----------|-------|---|--|
| NUMBER | GA | TYP | NUMBER | TERM | TT | WDM REF | NUMBER | TERM | TT | EMC/SEP | FT | NOTES | EFFECTIVITY | |
| 76 | 24 | PK | D10062 | 32 | | 30-34-21 | TB0248X | D002 | BJ | | 4 | | VA001-VA300, VA701-VB050, VB201-VB250, VB281-VB320, VB371-VB400, VB421-VB440, VB451-VE100, VE171-VE180, VF061-VF110, VF161-VF170, VK001-VK011, VK021-VK030, VK055-VK080, VK161-VK179, VL011-VL040, VL796-VL805, VL931-VL940, VN171-VN189, VN211-VN230, VN241-VN289, VN371-VN420, VN491-VN529, VN531-VN545, VN551-VN633, VN671-VN675, VN681-VN730, VN931-VN949, VN966-VN967, VN971-VN990, VR471-VR471, VS206-VS207 | |
| 76 | 24 | PK | D10062 | 32 | | 30-34-21 | TB0248X | D002 | BJ | | 3 | | VK180-VK180, VL806-VL810, VN190-VN190, VN290-VN290, VN530-VN530, VN950-VN950, VR421-VR421, VS061-VS061, VS066-VS070, VS091-VS094 | |
| 76 | 24 | PK | D13598 | 32 | | 30-34-21 | TB0248X | D002 | BJ | | 3 | | VL871-VL880 | |
| 77 | 22 | PA | D10062 | 62 | | 30-34-21 | GDX0005 | D.. | 2 | | 4 | | VA001-VA300, VA701-VB050, VB201-VB250, VB281-VB320, VB371-VB400, VB421-VB440, VB451-VE084, VK001-VK011, VK021-VK030, VK055-VK080, VK171-VK179, VL931-VL940, VN221-VN230, VN491-VN529, VN671-VN675, VN681-VN730, VN931-VN949, VN966-VN967, VN971-VN990, VR471-VR471, VS206-VS207 | |
| 77 | 22 | PA | D10062 | 62 | | 30-34-21 | GDX0005 | D.. | 2 | | 3 | | VE085-VE100, VE171-VE180, VF061-VF110, VF161-VF170, VK161-VK170, VL011-VL040, VL796-VL805, VN171-VN189, VN211-VN220, VN241-VN289, VN371-VN420, VN531-VN545, VN551-VN633 | |
| 77 | 22 | PA | D10062 | 62 | | 30-34-21 | GDX0005 | D.. | 2 | | 2 | | VK180-VK180, VL806-VL810, VN190-VN190, VN290-VN290, VN530-VN530, VN950-VN950, VR421-VR421, VS061-VS061, VS066-VS070, VS091-VS094 | |
| 77 | 22 | PA | D13598 | 62 | | 30-34-21 | GDX0005 | D.. | 2 | | 2 | | VL871-VL880 | |

286T1114-101
Wire Bundle Assembly
Figure 117 (Sheet 48)

25-71-01

| WIRE | | FROM EQUIPMENT | | | TO EQUIPMENT | | | WIRE INFO | | |
|--------|--------|----------------|---------|----------|--------------|---------|----------|-----------|-------|---|
| NUMBER | GA TYP | NUMBER | TERM TT | WDM REF | NUMBER | TERM TT | EMC/ SEP | FT | NOTES | EFFECTIVITY |
| 78 | 22 PA | D10062 | 50 | 30-31-21 | GDX0005 | D.. 2 | | 4 | | VA001-VB410, VB421-VE180, VF001-VF010, VF021-VF110, VF161-VF180, VK001-VK019, VK021-VK080, VK131-VK140, VK161-VK179, VL001-VL040, VL751-VL790, VL796-VL805, VL891-VL909, VL911-VL929, VL931-VL940, VN001-VN050, VN171-VN189, VN211-VN289, VN301-VN340, VN371-VN529, VN531-VN650, VN671-VN675, VN681-VN730, VN791-VN810, VN921-VN949, VN951-VN959, VN966-VN967, VN971-VN990, VR471-VR471, VS196-VS199, VS206-VS207 |
| 78 | 22 PA | D10062 | 50 | 30-31-21 | GDX0005 | D.. 2 | | 2 | | VF251-VF260, VK020-VK020, VK180-VK190, VL806-VL810, VL910-VL910, VL930-VL930, VM190-VN190, VN290-VN290, VN530-VN530, VN950-VN950, VN960-VN960, VN968-VN970, VR421-VR421, VR461-VR461, VS051-VS052, VS061-VS061, VS066-VS070, VS073-VS073, VS091-VS094, VS131-VS132, VS176-VS177, VS261-VS262, VS266-VS268 |
| 78 | 22 PA | D13598 | 50 | 30-31-21 | GDX0005 | D.. 2 | | 2 | | VL871-VL880 |
| 79 | 24 PK | D10062 | 57 | 30-31-21 | TB0248Y | A014 BJ | | 4 | | VA001-VB410, VB421-VE180, VF001-VF010, VF021-VF110, VF161-VF180, VK001-VK019, VK021-VK080, VK131-VK140, VK161-VK179, VL001-VL040, VL751-VL790, VL796-VL805, VL891-VL909, VL911-VL929, VL931-VL940, VN001-VN050, VN171-VN189, VN211-VN289, VN301-VN340, VN371-VN529, VN531-VN650, VN671-VN675, VN681-VN730, VN791-VN810, VN921-VN949, VN951-VN959, VN966-VN967, VN971-VN990, VR471-VR471, VS196-VS199, VS206-VS207 |
| 79 | 24 PK | D10062 | 57 | 30-31-21 | TB0248Y | A014 BJ | | 3 | | VF251-VF260, VK020-VK020, VK180-VK190, VL806-VL810, VL910-VL910, VL930-VL930, VM190-VN190, VN290-VN290, VN530-VN530, VN950-VN950, VN960-VN960, VN968-VN970, VR421-VR421, VR461-VR461, VS051-VS052, VS061-VS061, VS066-VS070, VS073-VS073, VS091-VS094, VS131-VS132, VS176-VS177, VS261-VS262, VS266-VS268 |
| 79 | 24 PK | D13598 | 57 | 30-31-21 | TB0248Y | A014 BJ | | 3 | | VL871-VL880 |

286T1114-101
Wire Bundle Assembly
Figure 117 (Sheet 49)

25-71-01



BOEING
COMPONENT
MAINTENANCE MANUAL

| WIRE | | FROM EQUIPMENT | | | TO EQUIPMENT | | | WIRE INFO | | | |
|--------|--------|----------------|---------|----------|--------------|---------|---------|-----------|-------|---|--|
| NUMBER | GA TYP | NUMBER | TERM TT | WDM REF | NUMBER | TERM TT | EMC/SEP | FT | NOTES | EFFECTIVITY | |
| 80 | 24 PK | D10064 | 57 | 30-31-21 | TB0248Y | A014 BJ | | 4 | | VA001-VB410, VB421-VE180, VF001-VF010, VF021-VF110, VF161-VF180, VK001-VK019, VK021-VK080, VK131-VK140, VK161-VK179, VL001-VL040, VL751-VL790, VL796-VL805, VL891-VL909, VL911-VL929, VL931-VL940, VN001-VN050, VN171-VN189, VN211-VN289, VN301-VN340, VN371-VN529, VN531-VN650, VN671-VN675, VN681-VN730, VN791-VN810, VN921-VN949, VN951-VN959, VN966-VN967, VN971-VN990, VR471-VR471, VS196-VS199, VS206-VS207 | |
| 80 | 24 PK | D10064 | 57 | 30-31-21 | TB0248Y | A014 BJ | | 3 | | VF251-VF260, VK020-VK020, VK180-VK190, VL806-VL810, VL910-VL910, VL930-VL930, VN190-VN190, VN290-VN290, VN530-VN530, VN950-VN950, VN960-VN960, VN968-VN970, VR421-VR421, VR461-VR461, VS051-VS052, VS061-VS061, VS066-VS070, VS073-VS073, VS091-VS094, VS131-VS132 VS176-VS177, VS261-VS262, VS266-VS268 | |
| 80 | 24 PK | D13600 | 57 | 30-31-21 | TB0248Y | A014 BJ | | 3 | | VL871-VL880 | |
| 81 | 22 PA | D10064 | 50 | 30-31-21 | GDX0005 | D.. 2 | | 4 | | VA001-VB410, VB421-VE180, VF001-VF010, VF021-VF110, VF161-VF180, VK001-VK019, VK021-VK080, VK131-VK140, VK161-VK179, VL001-VL040, VL751-VL790, VL796-VL805, VL891-VL909, VL911-VL929, VL931-VL940, VN001-VN050, VN171-VN189, VN211-VN289, VN301-VN340, VN001-VN529, VN531-VN650, VN671-VN675, VN681-VN730, VN791-VN810, VN921-VN949, VN951-VN959, VN966-VN967, VN971-VN990, VR471-VR471, VS196-VS199, VS206-VS207 | |
| 81 | 22 PA | D10064 | 50 | 30-31-21 | GDX0005 | D.. 2 | | 2 | | VF251-VF260, VK020-VK020, VK180-VK190, VL806-VL810, VL910-VL910, VL930-VL930, VN190-VN190, VN290-VN290, VN530-VN530, VN950-VN950, VN960-VN960, VN968-VN970, VR421-VR421, VR461-VR461, VS051-VS052, VS061-VS061, VS066-VS070, VS073-VS073, VS091-VS094, VS131-VS132 VS176-VS177, VS261-VS262, VS266-VS268 | |
| 81 | 22 PA | D13600 | 50 | 30-31-21 | GDX0005 | D.. 2 | | 2 | | VL871-VL880 | |

286T1114-101
Wire Bundle Assembly
Figure 117 (Sheet 50)

25-71-01

| WIRE | | FROM EQUIPMENT | | TO EQUIPMENT | | WIRE INFO | | | | |
|--------|--------|----------------|---------|--------------|---------|-----------|---------|----|-------|--|
| NUMBER | GA TYP | NUMBER | TERM TT | WDM REF | NUMBER | TERM TT | EMC/SEP | FT | NOTES | EFFECTIVITY |
| 82 | 24 PV | D10064 | 32 | 30-34-11 | TB0248X | C002 BJ | | 4 | | VA001-VA300, VA701-VB050, VB201-VB250, VB281-VB320, VB371-VB400, VB421-VB440, VB451-VE084, VK001-VK011, VK021-VK030, VK055-VK080, VK171-VK179, VL931-VL940, VN221-VN230, VN491-VN529, VN671-VN675, VN681-VN730, VN931-VN949, VN966-VN967, VN971-VN990, VR471-VR471 VS206-VS207 |
| 82 | 24 PV | D10064 | 32 | 30-34-11 | TB0248X | C002 BJ | | 4 | | VE085-VE100, VE171-VE180, VF061-VF110, VF161-VF170, VK161-VK170, VL011-VL040, VL796-VL805, VN171-VN189, VN211-VN220, VN241-VN289, VN371-VN420, VN531-VN545, VN551-VN633 |
| 82 | 24 PV | D10064 | 32 | 30-34-11 | TB0248X | C002 BJ | | 3 | | VK180-VK180, VN530-VN530, VN950-VN950, VR421-VR421, VS091-VS094 |
| 82 | 24 PV | D10064 | 32 | 30-34-11 | TB0248X | C002 BJ | | 3 | | VL806-VL810, VN190-VN190, VN290-VN290, VS061-VS061, VS066-VS070 |
| 82 | 24 PV | D13600 | 32 | 30-34-11 | TB0248X | C002 BJ | | 3 | | VL871-VL880 |
| 082Z | | D10064 | DED | 30-34-11 | TB0248X | DED | | | | VA001-VA300, VA701-VB050, VB201-VB250, VB281-VB320, VB371-VB400, VB421-VB440, VB451-VE084, VK001-VK011, VK021-VK030, VK055-VK080, VK171-VK180, VL931-VL940, VN221-VN230, VN491-VN530, VN671-VN675, VN681-VN730, VN931-VN950, VN966-VN967, VN971-VN990, VR421-VR421 VR471-VR471, VS091-VS094, VS206-VS207 |
| 082Z | | D10064 | DED | 30-34-11 | TB0248X | DED | | | | VE085-VE100, VE171-VE180, VF061-VF110, VF161-VF170, VK161-VK170, VL011-VL040, VL796-VL810, VN171-VN190, VN211-VN220, VN241-VN290, VN371-VN420, VN531-VN545, VN551-VN633, VS061-VS061, VS066-VS070 |
| 082Z | | D13600 | DED | 30-34-11 | TB0248X | DED | | | | VL871-VL880 |
| 83 | 22 PQ | D10064 | 62 | 30-34-11 | GDX0005 | D.. 2 | | 4 | | VA001-VA300, VA701-VB050, VB201-VB250, VB281-VB320, VB371-VB400, VB421-VB440, VB451-VE084, VK001-VK011, VK021-VK030, VK055-VK080, VK171-VK179, VL931-VL940, VN221-VN230, VN491-VN529, VN671-VN675, VN681-VN730, VN931-VN949, VN966-VN967, VN971-VN990, VR471-VR471 VS206-VS207 |

286T1114-101
Wire Bundle Assembly
Figure 117 (Sheet 51)

25-71-01



BOEING
COMPONENT
MAINTENANCE MANUAL

| WIRE | | FROM EQUIPMENT | | | TO EQUIPMENT | | | WIRE INFO | | |
|--------|--------|------------------|-----------|----------------------|--------------------|-----------|---------|-----------|-------|---|
| NUMBER | GA TYP | NUMBER | TERM TT | WDM REF | NUMBER | TERM TT | EMC/SEP | FT | NOTES | EFFECTIVITY |
| 83 | 22 PQ | D10064 | 62 | 30-34-11 | GDX0005 | D.. 2 | | 3 | | VE085-VE100, VE171-VE180, VF061-VF110, VF161-VF170, VK161-VK170, VL011-VL040, VL796-VL805, VN171-VN189, VN211-VN220, VN241-VN289, VN371-VN420, VN531-VN545, VN551-VN633 |
| 83 | 22 PQ | D10064 | 62 | 30-34-11 | GDX0005 | D.. 2 | | 2 | | VK180-VK180, VN530-VN530, VN950-VN950, VR421-VR421, VS091-VS094 |
| 83 | 22 PQ | D10064 | 62 | 30-34-11 | GDX0005 | D.. 2 | | 2 | | VL806-VL810, VN190-VN190, VN290-VN290, VS061-VS061, VS066-VS070 |
| 83 | 22 PQ | D13600 | 62 | 30-34-11 | GDX0005 | D.. 2 | | 2 | | VL871-VL880 |
| 083Z | | D10064 | DED | 30-34-11 | GDX0005 | DED | | | | VA001-VA300, VA701-VB050, VB201-VB250, VB281-VB320, VB371-VB400, VB421-VB440, VB451-VE084, VK001-VK011, VK021-VK030, VK055-VK080, VK171-VK180, VL931-VL940, VN221-VN230, VN491-VN530, VN671-VN675, VN681-VN730, VN931-VN950, VN966-VN967, VN971-VN990, VR421-VR421, VR471-VR471, VS091-VS094, VS206-VS207 |
| 083Z | | D10064 | DED | 30-34-11 | GDX0005 | DED | | | | VE085-VE100, VE171-VE180, VF061-VF110, VF161-VF170, VK161-VK170, VL011-VL040, VL796-VL810, VN171-VN190, VN211-VN220, VN241-VN290, VN371-VN420, VN531-VN545, VN551-VN633, VS061-VS061, VS066-VS070 |
| 083Z | 24 PK | D13600 D10062 | DED 18 | 30-34-11 80-11-21 | GDX0005 D08036J | DED 20 | | 4 | | VL871-VL880 |
| 84 | | | | | | | | | | VA001-VB410, VB421-VE180, VF001-VF010, VF021-VF110, VF161-VF180, VK001-VK019, VK021-VK080, VK131-VK140, VK161-VK179, VL001-VL040, VL751-VL790, VL796-VL805, VL891-VL909, VL911-VL929, VL931-VL940, VN001-VN050, VN171-VN189, VN211-VN289, VN301-VN340, VN371-VN529, VN531-VN650, VN671-VN675, VN681-VN730, VN791-VN810, VN921-VN949, VN951-VN959, VN966-VN967, VN971-VN990, VR471-VR471, VS196-VS199, VS206-VS207 |

286T1114-101
Wire Bundle Assembly
Figure 117 (Sheet 52)

25-71-01

| WIRE | | FROM EQUIPMENT | | | TO EQUIPMENT | | | WIRE INFO | | | |
|--------|--------|----------------|---------|----------|--------------|---------|---------|-----------|------------------|---|--|
| NUMBER | GA TYP | NUMBER | TERM TT | WDM REF | NUMBER | TERM TT | EMC/SEP | FT | NOTES | EFFECTIVITY | |
| 84 | 24 PK | D10062 | 18 | 80-11-21 | D08036J | 20 | | 2 | | VF251-VF260, VK020-VK020, VK180-VK190, VL806-VL810, VL910-VL910, VL930-VL930, VN190-VN190, VN290-VN290, VN530-VN530, VN950-VN950, VN960-VN960, VN968-VN970, VR421-VR421, VR461-VR461, VS051-VS052, VS061-VS061, VS066-VS070, VS073-VS073, VS091-VS094, VS131-VS132, VS176-VS177, VS261-VS262, VS266-VS268 VL871-VL880 VA001-VB410, VB421-VE180, VF001-VF010, VF021-VF110, VF161-VF180, VK001-VK019, VK021-VK080, VK131-VK140, VK161-VK179, VL001-VL040, VL751-VL790, VL796-VL805, VL891-VL909, VL911-VL929, VL931-VL940, VN001-VN050, VN171-VN189, VN211-VN289, VN301-VN340, VN371-VN529, VN531-VN650, VN671-VN675, VN681-VN730, VN791-VN810, VN921-VN949, VN951-VN959, VN966-VN967, VN971-VN990, VR471-VR471, VS196-VS199, VS206-VS207 VF251-VF260, VK020-VK020, VK180-VK190, VL806-VL810, VL910-VL910, VL930-VL930, VN190-VN190, VN290-VN290, VN530-VN530, VN950-VN950, VN960-VN960, VN968-VN970, VR421-VR421, VR461-VR461, VS051-VS052, VS061-VS061, VS066-VS070, VS073-VS073, VS091-VS094, VS131-VS132, VS176-VS177, VS261-VS262, VS266-VS268 VL871-VL880 VA021-VA300, VA720-VA800, VA811-VA999, VB003-VB050, VB203-VB250, VB285-VB300, VB303-VB320, VB374-VB400, VE004-VE020, VE024-VE040, VE044-VE060, VE070-VE082, VK010-VK011, VK023-VK030 VA701-VA719, VB201-VB202, VB281-VB284, VB371-VB373, VK001-VK009, VK021-VK022 VF071-VF090, VN221-VN230, VN301-VN340, VN671-VN675 VF251-VF260, VL910-VL910 VL751-VL790, VN634-VN650 VL871-VL880 VL891-VL909 | |
| 84 | 24 PK | D13598 | 18 | 80-11-21 | D08036J | 20 | | 2 | | | |
| 85 | 24 PK | D10062 | 40 | 80-11-21 | D08036J | 21 | | 4 | | | |
| 85 | 24 PK | D10062 | 40 | 80-11-21 | D08036J | 21 | | 2 | | | |
| 86 | 24 PK | D13598 | 31 | 80-11-21 | D08036J | 21 | | 2 | | | |
| 86 | 24 PK | D10062 | 31 | 73-21-18 | TB0248Y | C014 | BJ | 5 | | | |
| 86 | 24 PK | D10062 | 31 | 73-21-18 | TB0248Y | C014 | BJ | 5 | MOT-F2 MMU-T2 | | |
| 86 | 22 PA | D10062 | 31 | 73-21-18 | GDX0003 | D.. | 2 | 4 | | | |
| 86 | 22 PA | D10062 | 31 | 73-21-18 | GDX0004 | D.. | 2 | 2 | | | |
| 86 | 22 PA | D10062 | 31 | 73-21-18 | GDX0004 | D.. | 2 | 4 | | | |
| 86 | 22 PA | D13598 | 31 | 73-21-18 | GDX0003 | D.. | 2 | 2 | | | |
| 86 | 22 PA | D10062 | 31 | 73-21-18 | GDX0004 | D.. | 2 | 3 | | | |

286T1114-101
Wire Bundle Assembly
Figure 117 (Sheet 53)

25-71-01



BOEING
COMPONENT
MAINTENANCE MANUAL

| WIRE | | FROM EQUIPMENT | | | TO EQUIPMENT | | | WIRE INFO | | |
|--------|--------|----------------|---------|----------|--------------|---------|---------|-----------|-------|--|
| NUMBER | GA TYP | NUMBER | TERM TT | WDM REF | NUMBER | TERM TT | EMC/SEP | FT | NOTES | EFFECTIVITY |
| 87 | 24 PK | D10062 | 34 | 24-51-52 | TB0248X | A015 BJ | | 4 | | VA002-VB410, VB421-VE180, VF001-VF010, VF021-VF110, VF161-VF180, VK001-VK019, VK021-VK054, VK131-VK140, VK161-VK170, VL001-VL040, VL796-VL805, VN001-VN050, VN171-VN173, VN211-VN220, VN231-VN232, VN241-VN289, VN301-VN340, VN371-VN470, VN531-VN650, VS196-VS199 |
| 87 | 24 PK | D10062 | 34 | 24-51-52 | TB0248X | A015 BJ | | 3 | | VF251-VF260, VK020-VK020, VK181-VK190, VL806-VL810, VN290-VN290, VR461-VR461, VS066-VS070, VS073-VS073, VS176-VS177, VS266-VS268 |
| 87 | 24 PK | D10062 | 34 | 24-51-52 | TB0248Y | A009 BJ | | 4 | | VK055-VK080, VK171-VK179, VL751-VL790, VL891-VL909, VL911-VL929, VL931-VL940, VN174-VN189, VN221-VN230, VN233-VN240, VN471-VN529, VN671-VN675, VN681-VN730, VN791-VN810, VN921-VN949, VN951-VN959, VN966-VN967, VN971-VN990, VR471-VR471, VS206-VS207 |
| 87 | 24 PK | D10062 | 34 | 24-51-52 | TB0248Y | A009 BJ | | 3 | | VK180-VK180, VL910-VL910, VL930-VL930, VN190-VN190, VN530-VN530, VN950-VN950, VN960-VN960, VN968-VN970, VR421-VR421, VS051-VS052, VS061-VS061, VS091-VS094, VS131-VS132, VS261-VS262 |
| 87 | 24 PK | D13598 | 34 | 24-51-52 | TB0248X | A015 BJ | | 3 | | VL871-VL880 |
| 88 | 24 PK | D10062 | 27 | 24-51-52 | TB0248X | B015 BJ | | 4 | | VA002-VB410, VB421-VE180, VF001-VF010, VF021-VF110, VF161-VF180, VK001-VK019, VK021-VK054, VK131-VK140, VK161-VK170, VL001-VL040, VL796-VL805, VN001-VN050, VN171-VN173, VN211-VN220, VN231-VN232, VN241-VN289, VN301-VN340, VN371-VN470, VN531-VN650, VS196-VS199 |
| 88 | 24 PK | D10062 | 27 | 24-51-52 | TB0248X | B015 BJ | | 3 | | VF251-VF260, VK020-VK020, VK181-VK190, VL806-VL810, VN290-VN290, VR461-VR461, VS066-VS070, VS073-VS073, VS176-VS177, VS266-VS268 |
| 88 | 24 PK | D10062 | 27 | 24-51-52 | TB0248Y | A010 BJ | | 4 | | VK055-VK080, VK171-VK179, VL931-VL940, VN174-VN189, VN221-VN230, VN491-VN529, VN671-VN675, VN681-VN730, VN931-VN949, VN966-VN967, VN971-VN990, VR471-VR471, VS206-VS207 |

286T1114-101
Wire Bundle Assembly
Figure 117 (Sheet 54)

25-71-01



COMPONENT
MAINTENANCE MANUAL

| WIRE | | FROM EQUIPMENT | | | TO EQUIPMENT | | | WIRE INFO | | | | | |
|--------|----|----------------|--------|--------|--------------|----------|---------|-----------|----|---------|----|-------|---|
| NUMBER | GA | TYP | NUMBER | TERFAM | TT | WDM REF | NUMBER | TERM | TT | EMC/SEP | FT | NOTES | EFFECTIVITY |
| 88 | 24 | PK | D10062 | 27 | | 24-51-52 | TB0248Y | A010 | BJ | | 3 | | VK180-VK180, VN190-VN190, VN530-VN530, VN950-VN950, VR421-VR421, VS061-VS061, VS091-VS094 |
| 88 | 24 | PK | D10062 | 27 | | 24-51-52 | TB0248Y | A013 | BJ | | 4 | | VL751-VL790, VL891-VL909, VL911-VL929, VN233-VN240, VN471-VN490, VN791-VN810, VN921-VN930, VN951-VN959 |
| 88 | 24 | PK | D13598 | 27 | | 24-51-52 | TB0248X | B015 | BJ | | 3 | | VL871-VL880 |
| 88 | 24 | PK | D10062 | 27 | | 24-51-52 | TB0248Y | A013 | BJ | | 3 | | VL910-VL910, VL930-VL930, VN960-VN960, VN968-VN970, VS051-VS052, VS131-VS132, VS261-VS262 |
| 89 | 24 | PK | D10064 | 27 | | 24-51-52 | TB0248X | C015 | BJ | | 4 | | VA002-VB410, VB421-VB180, VF001-VF010, VF021-VF110, VF161-VF180, VK001-VK019, VK021-VK054, VK131-VK140, VK161-VK170, VL001-VL040, VL796-VL805, VN001-VN050, VN171-VN173, VN211-VN220, VN241-VN289, VN301-VN340, VN371-VN470, VN531-VN650, VS196-VS199 |
| 89 | 24 | PK | D10064 | 27 | | 24-51-52 | TB0248X | C015 | BJ | | 3 | | VF251-VF260, VK020-VK020, VK181-VK190, VL806-VL810, VN290-VN290, VR461-VR461, VS066-VS070, VS073-VS073, VS176-VS177, VS266-VS268 |
| 89 | 24 | PK | D10064 | 27 | | 24-51-52 | TB0248Y | A010 | BJ | | 4 | | VK055-VK080, VK171-VK179, VL931-VL940, VN174-VN189, VN221-VN230, VN491-VN529, VN671-VN675, VN681-VN730, VN931-VN949, VN966-VN967, VN971-VN990, VR471-VR471, VS206-VS207 |
| 89 | 24 | PK | D10064 | 27 | | 24-51-52 | TB0248Y | A010 | BJ | | 3 | | VK180-VK180, VN190-VN190, VN530-VN530, VN950-VN950, VR421-VR421, VS061-VS061, VS091-VS094 |
| 89 | 24 | PK | D10064 | 27 | | 24-51-52 | TB0248Y | A013 | BJ | | 4 | | VL751-VL790, VL891-VL909, VL911-VL929, VN233-VN240, VN471-VN490, VN791-VN810, VN921-VN930, VN951-VN959 |
| 89 | 24 | PK | D13600 | 27 | | 24-51-52 | TB0248X | C015 | BJ | | 3 | | VL871-VL880 |
| 89 | 24 | PK | D10064 | 27 | | 24-51-52 | TB0248Y | A013 | BJ | | 3 | | VL910-VL910, VL930-VL930, VN960-VN960, VN968-VN970, VS051-VS052, VS131-VS132, VS261-VS262 |
| 89 | 24 | PK | D10064 | 27 | | 24-51-52 | TB0248X | B015 | BJ | | 4 | | VN231-VN232 |

286T1114-101
Wire Bundle Assembly
Figure 117 (Sheet 55)

25-71-01



BOEING
COMPONENT
MAINTENANCE MANUAL

| WIRE | | FROM EQUIPMENT | | | TO EQUIPMENT | | | WIRE INFO | | |
|--------|--------|----------------|---------|----------|--------------|---------|---------|-----------|-------|--|
| NUMBER | CA TYP | NUMBER | TERM TT | WDM REF | NUMBER | TERM TT | EMC/SEP | FT | NOTES | EFFECTIVITY |
| 90 | 24 PK | D10064 | 34 | 24-51-52 | TB0248X | D015 BJ | | 4 | | VA002-VB410, VB421-VE180, VF001-VF010, VF021-VF110, VF161-VF180, VK001-VK019, VK021-VK054, VK131-VK140, VK161-VK170, VL001-VL040, VL796-VL805, VN001-VN050, VN171-VN173, VN211-VN220, VN241-VN289, VN301-VN340, VN371-VN470, VN531-VN650, VS196-VS199 |
| 90 | 24 PK | D10064 | 34 | 24-51-52 | TB0248X | D015 BJ | | 3 | | VF251-VF260, VK020-VK020, VK181-VK190, VL806-VL810, VN290-VN290, VR461-VR461, VS066-VS070, VS073-VS073, VS176-VS177, VS266-VS268 |
| 90 | 24 PK | D10064 | 34 | 24-51-52 | TB0248Y | A009 BJ | | 4 | | VK055-VK080, VK171-VK179, VL751-VL790, VL891-VL909, VL911-VL929, VL931-VL940, VN174-VN189, VN221-VN230, VN233-VN240, VN471-VN529, VN671-VN675, VN681-VN730, VN791-VN810, VN921-VN949, VN951-VN959, VN966-VN967, VN971-VN990, VR471-VR471, VS206-VS207 |
| 90 | 24 PK | D10064 | 34 | 24-51-52 | TB0248Y | A009 BJ | | 3 | | VK180-VK180, VL910-VL910, VL930-VL930, VN190-VN190, VN530-VN530, VN950-VN950, VN960-VN960, VN968-VN970, VR421-VR421, VS051-VS052, VS061-VS061, VS091-VS094, VS131-VS132, VS361-VS262 |
| 90 | 24 PK | D13600 | 34 | 24-51-52 | TB0248X | D015 BJ | | 3 | | VL871-VL880 |
| 90 | 24 PK | D10064 | 34 | 24-51-52 | TB0248X | A015 BJ | | 4 | | VN231-VN232 |
| 91 | 24 PK | D08028J | 20 | 73-21-15 | TB0158G | 10 2 | | 4 | | VA001-VA300 |
| 91 | 24 PK | D08028J | 20 | 73-21-15 | TB0158G | 10 2 | | 3 | | VA301-VB410, VB421-VE180, VF001-VF010, VF021-VF110, VF161-VF180, VK001-VK019, VK021-VK080, VK131-VK140, VK161-VK179, VL001-VL040, VL751-VL790, VL796-VL805, VL911-VL929, VL931-VL940, VN001-VN050, VN171-VN189, VN211-VN289, VN301-VN340, VN371-VN529, VN531-VN650, VN671-VN675, VN681-VN730, VN791-VN810, VN921-VN949, VN951-VN959, VN966-VN967, VN971-VN990, VR471-VR471, VS196-VS199, VS206-VS207 |

286T1114-101
Wire Bundle Assembly
Figure 117 (Sheet 56)

25-71-01

| WIRE | | FROM EQUIPMENT | | | TO EQUIPMENT | | | WIRE INFO | | | | | |
|--------|----|----------------|---------|------|--------------|----------|---------|-----------|----|---------|----|--------|--|
| NUMBER | GA | TYP | NUMBER | TERM | TT | WDM REF | NUMBER | TERM | TT | EMC/SEP | FT | NOTES | EFFECTIVITY |
| 91 | 24 | PK | D08028J | 20 | | 73-21-15 | TB0158G | 10 | 2 | | 2 | | VF251-VF260, VK020-VK020, VK180-VK190, VL806-VL810, VL930-VL930, VN190-VN190, VN290-VN290, VN530-VN530, VN950-VN950, VN960-VN960, VN968-VN970, VR421-VR421, VR461-VR461, VS051-VS052, VS061-VS061, VS066-VS070, VS073-VS073, VS091-VS094, VS131-VS132, VS176-VS177 VS261-VS262, VS266-VS268 |
| 91 | 24 | PK | D08028J | 20 | | 73-21-15 | TB0158Y | C008 | BJ | | 2 | | VL871-VL880 |
| 91 | 24 | PK | D08028J | 20 | | 73-21-15 | TB0158G | 10 | 2 | | 3 | | VL891-VL909 |
| 91 | 24 | PK | D08028J | 20 | | 73-21-15 | TB0158G | 10 | 2 | | 2 | | VL910-VL910 |
| 92 | 24 | PK | D10062 | 5 | | 73-21-11 | TB0182X | A027 | BJ | | 4 | | VA001-VB330, VB371-VB410, VB421-VB440, VB451-VB084, VE101-VE120, VK001-VK011, VK021-VK054 |
| 92 | 24 | PV | D10062 | 5 | | 73-21-11 | TB0182Y | A003 | BJ | | 4 | | VB331-VB370, VB441-VB450, VF171-VF180, VK012-VK019, VK131-VK140, VL751-VL790, VL891-VL909, VL911-VL929, VN231-VN240, VN421-VN490, VN546-VN550, VN634-VN650, VN791-VN810, VN921-VN930, VN951-VN959 |
| 92 | 24 | PV | D10062 | 5 | | 73-21-11 | TB0182X | A027 | BJ | | 4 | | VE085-VE100, VE171-VE180, VF061-VF110, VF161-VF170, VK055-VK080, VK161-VK179, VL011-VL040, VL796-VL805, VL931-VL940, VN171-VN189, VN211-VN230, VN241-VN289, VN371-VN420, VN491-VN529, VN531-VN545, VN551-VN633, VN671-VN675, VN681-VN730, VN931-VN949, VN966-VN967 VN971-VN990, VR471-VR471, VS206-VS207 |
| 92 | 24 | PK | D10062 | 5 | | 73-21-11 | TB0182Y | C003 | BJ | | 3 | ZSZ-B6 | VE121-VE126 |
| 92 | 24 | PK | D10062 | 5 | | 73-21-11 | TB0182Y | C003 | BJ | | 4 | | VE127-VE140, VE147-VE170, VF003-VF010, VF043-VF060, VL007-VL010, VN016-VN050, VN301-VN340, VS196-VS199 |
| 92 | 24 | PK | D10062 | 5 | | 73-21-11 | TB0182Y | A006 | BJ | | 4 | | VE141-VE146, VF001-VF002 |
| 92 | 24 | PK | D10062 | 5 | | 73-21-11 | SP03272 | | W | | 3 | | VF021-VF040, VN001-VN015 |
| 92 | 24 | PK | D10062 | 5 | | 73-21-11 | TB0182Y | C003 | BJ | | 4 | ZSZ-B6 | VF041-VF042 |
| 92 | 24 | PV | D10062 | 5 | | 73-21-11 | TB0182Y | A003 | BJ | | 3 | | VF251-VF260, VK020-VK020, VK181-VK190, VL910-VL910, VL930-VL930, VN960-VN960, VN968-VN970, VR461-VR461, VS051-VS052, VS073-VS073, VS131-VS132, VS176-VS177, VS261-VS262, VS266-VS268 |

286T1114-101
Wire Bundle Assembly
Figure 117 (Sheet 57)

25-71-01



BOEING
COMPONENT
MAINTENANCE MANUAL

| WIRE | | FROM EQUIPMENT | | | TO EQUIPMENT | | | WIRE INFO | | | | | |
|--------|----|----------------|--------|------|--------------|----------|---------|-----------|----|---------|----|------------------|--|
| NUMBER | GA | TYP | NUMBER | TERM | TT | WDM REF | NUMBER | TERM | TT | EMC/SEP | FT | NOTES | EFFECTIVITY |
| 92 | 24 | PV | D10062 | 5 | | 73-21-11 | TB0182X | A027 | BJ | | 3 | | VK180-VK180, VL806-VL810, VNI190-VNI190, VN290-VN290, VN530-VN530, VN950-VN950, VR421-VR421, VS061-VS061, VS066-VS070, VS091-VS094 |
| 92 | 24 | PK | D10062 | 5 | | 73-21-11 | TB0182Y | C003 | BJ | | 4 | MOT-F2 MNT-T2 | VL001-VL006 |
| 92 | 24 | PV | D13598 | 5 | | 73-21-11 | TB0182X | A027 | BJ | | 3 | | VL871-VL880 |
| 092F | 20 | UA | D10062 | | | 73-21-11 | GDX0004 | S.. | 2 | | 3 | | VE085-VE100, VE171-VE180, VF061-VF110, VF161-VF170, VK161-VK170, VL011-VL040, VL796-VL805, VNI171-VNI189, VN211-VN220, VN241-VN289, VN371-VN420, VN531-VN545, VN551-VN633 |
| 092F | 20 | UA | D10062 | | | 73-21-11 | GDX0004 | S.. | 2 | | 4 | | VK055-VK080, VK171-VK179, VL931-VL940, VN221-VN230, VN491-VN529, VN671-VN675, VN681-VN730, VN931-VN949, VN966-VN967, VN971-VN990, VR471-VR471, VS206-VS207 |
| 092F | 20 | UA | D10062 | | | 73-21-11 | GDX0003 | S.. | 2 | | 4 | | VK131-VK140 |
| 092F | 20 | UA | D10062 | | | 73-21-11 | GDX0004 | S.. | 2 | | 2 | | VK180-VK180, VN530-VN530, VN950-VN950, VR421-VR421, VS091-VS094 |
| 092F | 20 | UA | D10062 | | | 73-21-11 | GDX0004 | S.. | 2 | | 2 | | VL806-VL810, VNI190-VNI190, VN290-VN290, VS061-VS061, VS066-VS070 |
| 092F | 20 | UA | D13598 | | | 73-21-11 | GDX0004 | S.. | 2 | | 2 | | VL871-VL880 |
| 092Z | | | D10062 | | | 73-21-11 | TB0182Y | C003 | BJ | | 2 | | VB331-VB370, VB441-VB450, VF171-VF180, VF251-VF260, VK012-VK020, VK131-VK140, VK181-VK190, VL751-VL790, VL891-VL930, VN231-VN240, VN421-VN490, VN546-VN550, VN634-VN650, VN791-VN810, VN921-VN930, VN951-VN960, VN968-VN970, VR461-VR461, VS051-VS052, VS131-VS132, VS176-VS177, VS261-VS262 |
| 092Z | | | D10062 | | | 73-21-11 | TB0182X | B027 | BJ | | 2 | | VE085-VE100, VE171-VE180, VF061-VF110, VF161-VF170, VK161-VK170, VL011-VL040, VL796-VL810, VNI171-VNI190, VN211-VN220, VN241-VN290, VN371-VN420, VN531-VN545, VN551-VN633, VS061-VS061, VS066-VS070 |

286T1114-101
Wire Bundle Assembly
Figure 117 (Sheet 58)

25-71-01

| WIRE | | FROM EQUIPMENT | | | TO EQUIPMENT | | | WIRE INFO | | |
|--------|--------|----------------|---------|----------|--------------|---------|---------|-----------|-------|---|
| NUMBER | GA TYP | NUMBER | TERM TT | WDM REF | NUMBER | TERM TT | EMC/SEP | FT | NOTES | EFFECTIVITY |
| 092Z | | D10062 | | 73-21-11 | TB0182X | B027 BJ | | | | VK055-VK080, VK171-VK180, VL931-VL940, VN221-VN230, VN491-VN530, VN671-VN675, VN681-VN730, VN931-VN950, VN966-VN967, VN971-VN990, VR421-VR421, VR471-VR471, VS091-VS094, VS206-VS207 VL871-VL880 |
| 092Z | | D13598 | | 73-21-11 | TB0182X | B027 BJ | | | | VS073-VS073, VS266-VS268 |
| 092Z | | D10062 | | 73-21-11 | TB0248X | C002 BJ | | 4 | | VA001-VA020, VA300-VA300, VA800-VA810, VB001-VB002, VB301-VB302, VB421-VB440, VB451-VE003, VE021-VE023, VE041-VE043, VE061-VE069, VE083-VE084 |
| 93 | 24 PK | D10062 | 12 | 73-21-11 | TB0248Y | A004 BJ | | 5 | | VA021-VA299, VA720-VA799, VA811-VA999, VB003-VB050, VB203-VB250, VB285-VB300, VB303-VB320, VB374-VB400, VE004-VE020, VE024-VE040, VE044-VE060, VE070-VE082, VK010-VK011, VK023-VK030 |
| 93 | 24 PK | D10062 | 12 | 73-21-11 | SP04014 | | | 4 | | VA301-VA700, VB051-VB200, VB251-VB280, VB321-VB330, VB401-VB410, VE101-VE170, VF001-VF010, VF021-VF060, VK031-VK054, VL001-VL010, VN001-VN050, VN301-VN340, VS196-VS199 |
| 93 | 24 PK | D10062 | 12 | 73-21-11 | SP04014 | | | 4 | | VA701-VA719, VB201-VB202, VB281-VB284, VB371-VB373, VK001-VK009, VK021-VK022 |
| 93 | 24 PV | D10062 | 12 | 73-21-11 | TB0248X | D002 BJ | | 4 | | VB331-VB370, VB441-VB450, VF171-VF180, VK012-VK019, VK131-VK140, VL751-VL790, VL891-VL909, VL911-VL929, VN231-VN240, VN421-VN490, VN546-VN550, VN634-VN650, VN791-VN810, VN921-VN930, VN951-VN959 |
| 93 | 24 PV | D10062 | 12 | 73-21-11 | TB0182Y | C006 BJ | | 4 | | VE085-VE100, VE171-VE180, VF061-VF110, VF161-VF170, VK055-VK080, VK161-VK179, VL011-VL040, VL796-VL805, VL931-VL940, VN171-VN189, VN211-VN230, VN241-VN289, VN371-VN420, VN491-VN529, VN531-VN545, VN551-VN633, VN671-VN675, VN681-VN730, VN931-VN949, VN966-VN967, VN971-VN990, VR471-VR471, VS206-VS207 |
| 93 | 24 PV | D10062 | 12 | 73-21-11 | TB0248X | D002 BJ | | 3 | | VF251-VF260, VK020-VK020, VK181-VK190, VL910-VL910, VL930-VL930, VN960-VN960, VN968-VN970, VR461-VR461, VS051-VS052, VS131-VS132, VS176-VS177, VS261-VS262 |

 286T1114-101
 Wire Bundle Assembly
 Figure 117 (Sheet 59)

25-71-01

 TESTING & FAULT ISOLATION
 01 Page 152B
 Nov 01/02



COMPONENT
MAINTENANCE MANUAL

| WIRE | | FROM EQUIPMENT | | | TO EQUIPMENT | | | WIRE INFO | | | | | |
|--------|----|----------------|--------|------|--------------|----------|---------|-----------|----|---------|----|-------|--|
| NUMBER | GA | TYP | NUMBER | TERM | TT | WDM REF | NUMBER | TERM | TT | EMC/SEP | FT | NOTES | EFFECTIVITY |
| 93 | 24 | PV | D10062 | 12 | | 73-21-11 | TB0182Y | C006 | BJ | | 3 | | VK180-VK180, VL806-VL810, VN190-VN190, VN290-VN290, VN530-VN530, VN950-VN950, VR421-VR421, VS061-VS061, VS066-VS070, VS091-VS094 VL871-VL880 |
| 93 | 24 | PV | D13598 | 12 | | 73-21-11 | TB0182Y | C006 | BJ | | 3 | | VS073-VS073, VS266-VS268 |
| 93 | 24 | PV | D10062 | 12 | | 73-21-11 | TB0248X | D002 | BJ | | 3 | | VS085-VF100, VE171-VE180, VF061-VF110, VF161-VF170, VK161-VK170, VL011-VL040, VL796-VL805, VNI171-VN189, VN211-VN220, VN241-VN289, VN371-VN420, VNS31-VNS45, VN551-VN633 |
| 093F | 20 | UA | D10062 | | | 73-21-11 | GDX0004 | S.. | 2 | | 4 | | VR055-VK080, VK171-VK179, VL931-VL940, VN221-VN230, VN491-VN529, VN671-VN675, VN681-VN730, VN931-VN949, VN966-VN967, VN971-VN990, VR471-VR471, VS206-VS207 |
| 093F | 20 | UA | D10062 | | | 73-21-11 | GDX0003 | S.. | 2 | | 4 | | VK131-VK140 |
| 093F | 20 | UA | D10062 | | | 73-21-11 | GDX0004 | S.. | 2 | | 2 | | VK180-VK180, VN530-VN530, VN950-VN950, VR421-VR421, VS091-VS094 |
| 093F | 20 | UA | D10062 | | | 73-21-11 | GDX0004 | S.. | 2 | | 2 | | VL806-VL810, VN190-VN190, VN290-VN290, VS061-VS061, VS066-VS070 |
| 093F | 20 | UA | D13598 | | | 73-21-11 | GDX0004 | S.. | 2 | | 2 | | VL871-VL880 |
| 093Z | | | D10062 | | | 73-21-11 | TB0248X | C002 | BJ | | 2 | | VB331-VB370, VB441-VB450, VF171-VF180, VF251-VF260, VK012-VK020, VK131-VK140, VK181-VK190, VL751-VL790, VL891-VL930, VN231-VN240, VN421-VN490, VN546-VN550, VN634-VN650, VN791-VN810, VN921-VN930, VN951-VN960, VN968-VN970, VR461-VR461, VS051-VS052, VS131-VS132, VS176-VS177, VS261-VS262 |
| 093Z | | | D10062 | | | 73-21-11 | TB0182Y | C004 | BJ | | | | VE085-VE100, VE171-VE180, VF061-VF110, VF161-VF170, VK161-VK170, VL011-VL040, VL796-VL810, VNI171-VN190, VN211-VN220, VN241-VN290, VN371-VN420, VN531-VN545, VN551-VN633, VS061-VS061, VS066-VS070 |
| 093Z | | | D10062 | | | 73-21-11 | TB0182Y | C004 | BJ | | | | VK055-VK080, VK171-VK180, VL931-VL940, VN221-VN230, VN491-VN530, VN671-VN675, VN681-VN730, VN931-VN950, VN966-VN967, VN971-VN990, VR421-VR421, VR471-VR471, VS091-VS094, VS206-VS207 |

286T1114-101
Wire Bundle Assembly
Figure 117 (Sheet 60)

25-71-01

| WIRE | | FROM EQUIPMENT | | | TO EQUIPMENT | | | WIRE INFO | | |
|--------|--------|----------------|---------|----------|--------------|---------|---------|-----------|--------|--|
| NUMBER | GA TYP | NUMBER | TERM TT | WDM REF | NUMBER | TERM TT | EMC/SEP | FT | NOTES | EFFECTIVITY |
| 093Z | | D13598 | | 73-21-11 | TB0182Y C004 | BJ | | | | VL871-VL880 |
| 093Z | | D10062 | | 73-21-11 | TB0182Y C003 | BJ | | | | VS073-VS073, VS266-VS268 |
| 94 | 24 PK | D10064 | 5 | 73-21-11 | TB0182X B027 | BJ | | 3 | | VA001-VB330, VB371-VB410, VB421-VB440, VB451-VB084, VE101-VE120, VK001-VK011, VK021-VK054 |
| 94 | 24 PV | D10064 | 5 | 73-21-11 | TB0182Y A006 | BJ | | 4 | | VB331-VB370, VB441-VB450, VF171-VF180, VK012-VK019, VK131-VK140, VL751-VL790, VL891-VL909, VL911-VL929, VN231-VN240, VN421-VN490, VN546-VN550, VN634-VN650, VN791-VN810, VN921-VN930, VN951-VN959 |
| 94 | 24 PV | D10064 | 5 | 73-21-11 | TB0182X C027 | BJ | | 3 | | VE085-VE100, VE171-VE180, VF061-VF110, VF161-VF170, VK055-VK080, VK161-VK180, VL011-VL040, VL796-VL810, VN171-VN190, VN211-VN220, VN241-VN290, VN371-VN420, VN530-VN545, VN551-VN633, VN950-VN950, VR421-VR421, VR471-VR471, VS061-VS061, VS066-VS070, VS091-VS094 |
| 94 | 24 PK | D10064 | 5 | 73-21-11 | TB0182Y A006 | BJ | | 3 | ZSZ-B6 | VE121-VE126 |
| 94 | 24 PK | D10064 | 5 | 73-21-11 | TB0182Y A006 | BJ | | 4 | | VE127-VE140, VE147-VE170, VF003-VF010, VF043-VF060, VL007-VL010, VN016-VN050, VN301-VN340, VS196-VS199 |
| 94 | 24 PK | D10064 | 5 | 73-21-11 | TB0182G 22 | 2 | | 3 | | VE141-VE146, VF001-VF002 |
| 94 | 24 PK | D10064 | 5 | 73-21-11 | SF03270 | W | | 3 | | VF021-VF040, VN001-VN015 |
| 94 | 24 PK | D10064 | 5 | 73-21-11 | TB0182Y A006 | BJ | | 4 | ZSZ-B6 | VF041-VF042 |
| 94 | 24 PV | D10064 | 5 | 73-21-11 | TB0182Y A006 | BJ | | 3 | | VF251-VF260, VK020-VK020, VK181-VK190, VL910-VL910, VL930-VL930, VN960-VN960, VN968-VN970, VR461-VR461, VS051-VS052, VS073-VS073, VS131-VS132, VS176-VS177, VS261-VS262, VS266-VS268 |
| 94 | 24 PK | D10064 | 5 | 73-21-11 | TB0182Y A006 | BJ | | 4 | MOT-F2 | VL001-VL006 |
| 94 | 24 PV | D13600 | 5 | 73-21-11 | TB0182X C027 | BJ | | 3 | MNT-T2 | VL871-VL880 |
| 94 | 24 PV | D10064 | 5 | 73-21-11 | TB0182X C027 | BJ | | 4 | | VL931-VL940, VN221-VN230, VN491-VN529, VN671-VN675, VN681-VN730, VN931-VN949, VN966-VN967, VN971-VN990, VS206-VS207 |

286T1114-101
Wire Bundle Assembly
Figure 117 (Sheet 61)

25-71-01



BOEING
COMPONENT
MAINTENANCE MANUAL

| WIRE | | FROM EQUIPMENT | | | TO EQUIPMENT | | | WIRE INFO | | | | | |
|--------|----|----------------|---------|------|--------------|----------|---------|-----------|----|---------|----|-------|--|
| NUMBER | GA | TYP | NUMBER | TERM | TT | WDM REF | NUMBER | TERM | TT | EMC/SEP | FT | NOTES | EFFECTIVITY |
| 094F | 20 | UA | D10064 | | | 73-21-11 | GDX0004 | S.. | 2 | | 3 | | VE085-VE100, VE171-VE180, VF061-VF110, VF161-VF170, VK161-VK170, VL011-VL040, VL796-VL805, VN171-VN189, VN211-VN220, VN241-VN289, VN371-VN420, VN531-VN545, VN551-VN633 |
| 094F | 20 | UA | D10064 | | | 73-21-11 | GDX0004 | S.. | 2 | | 4 | | VK055-VK080, VK171-VK179, VL931-VL940, VN221-VN230, VN491-VN529, VN671-VN675, VN681-VN730, VN931-VN949, VN966-VN967, VN971-VN990, VR471-VR471, VS206-VS207 |
| 094F | 20 | UA | D10064 | | | 73-21-11 | GDX0003 | S.. | 2 | | 4 | | VK131-VK140 |
| 094F | 20 | UA | D10064 | | | 73-21-11 | GDX0004 | S.. | 2 | | 2 | | VK180-VK180, VN530-VN530, VN950-VN950, VR421-VR421, VS061-VS061, VS091-VS094 |
| 094F | 20 | UA | D10064 | | | 73-21-11 | GDX0004 | S.. | 2 | | 2 | | VL806-VL810, VN190-VN190, VN290-VN290, VS065-VS070 |
| 094F | 20 | UA | D13600 | | | 73-21-11 | GDX0004 | S.. | 2 | | 2 | | VL871-VL880 |
| 094Z | | | D10064 | | | 73-21-11 | TB0182Y | C006 | BJ | | | | VB331-VB370, VB441-VB450, VF171-VF180, VF251-VF260, VK012-VK020, VK131-VK140, VK181-VK190, VL751-VL790, VL891-VL930, VN231-VN240, VN421-VN490, VN546-VN550, VN634-VN650, VN791-VN810, VN921-VN930, VN951-VN960, VN968-VN970, VR461-VR461, VS051-VS052, VS131-VS132, VS176-VS177, VS261-VS262 |
| 094Z | | | TB0182X | D027 | BJ | 73-21-11 | D10064 | | | | | | VE085-VE100, VE171-VE180, VF061-VF110, VF161-VF170, VK161-VK170, VL011-VL040, VL796-VL810, VN171-VN190, VN211-VN220, VN241-VN290, VN371-VN420, VN531-VN545, VN551-VN633, VS066-VS070 |
| 094Z | | | D10064 | | | 73-21-11 | TB0182X | D027 | BJ | | | | VK055-VK080, VK171-VK180, VL931-VL940, VN221-VN230, VN491-VN530, VN671-VN675, VN681-VN730, VN931-VN950, VN966-VN967, VN971-VN990, VR421-VR421, VR471-VR471, VS091-VS094, VS206-VS207 |
| 094Z | | | TB0182X | D027 | BJ | 73-21-11 | D13600 | | | | | | VL871-VL880 |
| 094Z | | | TB0182X | D027 | BJ | 73-21-11 | D10064 | | | | | | VS061-VS061 |
| 094Z | | | TB0182Y | C006 | BJ | 73-21-11 | D10064 | | | | | | VS073-VS073, VS266-VS268 |

286T1114-101
Wire Bundle Assembly
Figure 117 (Sheet 62)

25-71-01

| WIRE | | FROM EQUIPMENT | | | TO EQUIPMENT | | | WIRE INFO | | | | | |
|--------|----|----------------|--------|-------|--------------|----------|---------|-----------|----|---------|----|-------|---|
| NUMBER | GA | TYP | NUMBER | TEFAM | TT | WDM REF | NUMBER | TERM | TT | EMC/SEP | FT | NOTES | EFFECTIVITY |
| 95 | 24 | PK | D10064 | 12 | | 73-21-11 | TB0248Y | C003 | BJ | | 4 | | VA001-VA020,VA300-VA700,VA800-VA810,VB001- VB002,VB051-VB200,VB251-VB280,VB301-VB302,VB321- VB330,VB401-VB410,VB421-VB440,VB451-VB003,VE021- VE023,VE041-VE043,VE061-VE069,VE083-VE084,VE101- VE170,VF001-VF010,VF021-VF060,VK031-VK054,VL001- VL010 VN001-VN050,VN301-VN340,VS196-VS199 |
| 95 | 24 | PK | D10064 | 12 | | 73-21-11 | SP04012 | | W | | 5 | | VA021-VA299,VA720-VA799,VA811-VA999,VB003- VB050,VB203-VB250,VB285-VB300,VB303-VB320,VB374- VB400,VE004-VE020,VE024-VE040,VE044-VE060,VE070- VE082,VK010-VK011,VK023-VK030 |
| 95 | 24 | PK | D10064 | 12 | | 73-21-11 | SP04012 | | W | | 4 | | VA701-VA719,VB201-VB202,VB281-VB284,VB371- VB373,VK001-VK009,VK021-VK022 |
| 95 | 24 | PV | D10064 | 12 | | 73-21-11 | TB0248X | B006 | BJ | | 4 | | VB331-VB370,VB441-VB450,VF171-VF180,VK012- VK019,VK131-VK140,VL751-VL790,VL891-VL909,VL911- VL929,VN231-VN240,VN421-VN490,VN546-VN550,VN634- VN650,VN791-VN810,VN921-VN930,VN951-VN959 |
| 95 | 24 | PV | D10064 | 12 | | 73-21-11 | TB0182Y | A007 | BJ | | 4 | | VE085-VE100,VE171-VE180,VF061-VF110,VF161- VF170,VK055-VK080,VK161-VK179,VL011-VL040,VL796- VL805,VL931-VL940,VN171-VN189,VN211-VN230,VN241- VN289,VN371-VN420,VN491-VN529,VN531-VN545,VN551- VN633,VN671-VN675,VN681-VN730,VN931-VN949,VN966- VN967 VN971-VN990,VR471-VR471,VS206-VS207 |
| 95 | 24 | PV | D10064 | 12 | | 73-21-11 | TB0248X | B006 | BJ | | 3 | | VF251-VF260,VK020-VK020,VK181-VK190,VL910- VL910,VL930-VL930,VN960-VN960,VN968-VN970,VR461- VR461,VS051-VS052,VS131-VS132,VS176-VS177,VS261- VS262 |
| 95 | 24 | PV | D10064 | 12 | | 73-21-11 | TB0182Y | A007 | BJ | | 3 | | VK180-VK180,VL806-VL810,VN190-VN190,VN290- VN290,VN530-VN530,VN950-VN950,VR421-VR421,VS061- VS061,VS066-VS070,VS091-VS094 |
| 95 | 24 | PV | D13600 | 12 | | 73-21-11 | TB0182Y | A007 | BJ | | 3 | | VL871-VL880 |
| 95 | 24 | PV | D10064 | 12 | | 73-21-11 | TB0248X | B006 | BJ | | 3 | | VS073-VS073,VS266-VS268 |

286T1114-101
Wire Bundle Assembly
Figure 117 (Sheet 63)

25-71-01



BOEING
COMPONENT
MAINTENANCE MANUAL

| WIRE | | FROM EQUIPMENT | | TO EQUIPMENT | | WIRE INFO | | | |
|--------|--------|----------------|---------|--------------|---------|-----------|----|-------|---|
| NUMBER | GA TYP | NUMBER | TERM TT | NUMBER | TERM TT | EMC/SEP | FT | NOTES | EFFECTIVITY |
| 095F | 20 UA | D10064 | | GDX0004 | S.. 2 | | 3 | | VE085-VE100, VF061-VF100, VF161-VF170, VK161-VK170, VL011-VL040, VL796-VL805, VN171-VN189, VN211-VN220, VN241-VN289, VN371-VN420 |
| 095F | 20 UA | D10064 | | GDX0004 | S.. 2 | | 3 | | VE171-VE180, VN531-VN545, VN551-VN633 |
| 095F | 20 UA | D10064 | | GDX0004 | S.. 2 | | 4 | | VF101-VF110 |
| 095F | 20 UA | D10064 | | GDX0004 | S.. 2 | | 4 | | VK055-VK080, VK171-VK179, VL931-VL940, VN221-VN230, VN491-VN529, VN671-VN675, VN681-VN730, VN931-VN949, VN966-VN967, VN971-VN990, VR471-VR471, VS206-VS207 |
| 095F | 20 UA | D10064 | | GDX0002 | S.. 2 | | 4 | | VK131-VK140 |
| 095F | 20 UA | D10064 | | GDX0004 | S.. 2 | | 2 | | VK180-VK180, VN530-VN530, VN950-VN950, VR421-VR421, VS091-VS094 |
| 095F | 20 UA | D10064 | | GDX0004 | S.. 2 | | 2 | | VL806-VL810, VN190-VN190, VN230-VN290, VS061-VS061, VS066-VS070 |
| 095F | 20 UA | D13600 | | GDX0004 | S.. 2 | | 2 | | VL871-VL880 |
| 095Z | 20 UA | D10064 | | TB0248X | C006 BJ | | 2 | | VB331-VB370, VB441-VB450, VF171-VF180, VF251-VF260, VK012-VK020, VK131-VK140, VK181-VK190, VL751-VL790, VL891-VL930, VN231-VN240, VN421-VN490, VN546-VN550, VN634-VN650, VN791-VN810, VN921-VN930, VN951-VN960, VN968-VN970, VR461-VR461, VS051-VS052, VS131-VS132 VS176-VS177, VS261-VS262 |
| 095Z | | TB0182Y | C007 BJ | D10064 | | | | | VE085-VE100, VF061-VF100, VF161-VF170, VK161-VK170, VL011-VL040, VL796-VL810, VN171-VN190, VN211-VN220, VN241-VN290, VN371-VN420, VS061-VS061, VS066-VS070 |
| 095Z | | TB0182Y | C007 BJ | D10064 | | | | | VE171-VE180, VF101-VF110, VN531-VN545, VN551-VN633 |
| 095Z | | D10064 | | TB0182Y | C007 BJ | | | | VK055-VK080, VK171-VK180, VL931-VL940, VN221-VN230, VN491-VN530, VN671-VN675, VN681-VN730, VN931-VN950, VN966-VN967, VN971-VN990, VR421-VR421, VR471-VR471, VS091-VS094, VS206-VS207 |
| 095Z | | TB0182Y | C007 BJ | D13600 | | | | | VL871-VL880 |
| 095Z | | TB0248X | C006 BJ | D10064 | | | | | VS073-VS073, VS266-VS266 |

286T1114-101
Wire Bundle Assembly
Figure 117 (Sheet 64)

25-71-01



COMPONENT
MAINTENANCE MANUAL

| WIRE | | FROM EQUIPMENT | | | TO EQUIPMENT | | | WIRE INFO | | | | | |
|--------|----|----------------|---------|------|--------------|----------|---------|-----------|----|-------------|----|--------|---|
| NUMBER | GA | TYP | NUMBER | TERM | TT | WDM REF | NUMBER | TERM | TT | EMC/ SEP | FT | NOTES | EFFECTIVITY |
| 96 | 24 | PK | D08028J | 4 | | 73-21-11 | TB0248Y | C003 | BJ | | 3 | | VA001-VA020, VA300-VA300, VA800-VA810, VB001- VB002, VB301-VB302, VE001-VE003, VE021-VE023, VE041- VE043, VE061-VE069, VE083-VE084 |
| 96 | 24 | PK | D08028J | 4 | | 73-21-11 | SP04012 | | W | | 3 | | VA021-VA299, VA720-VA799, VA811-VA999, VB003- VB050, VB203-VB250, VB285-VB300, VB303-VB320, VB374- VB400, VE004-VE020, VE024-VE040, VE044-VE060, VE070- VE082, VK010-VK011, VK023-VK030 |
| 96 | 24 | PK | D08028J | 4 | | 73-21-11 | SP04012 | | W | | 5 | MLA-F2 | VA701-VA719, VB201-VB202, VB281-VB284, VB371- VB373, VK001-VK009, VK021-VK022 |
| 96 | 24 | PV | D08028J | 4 | | 73-21-11 | TB0182Y | A007 | BJ | | 3 | | VE085-VE100, VE171-VE180, VF061-VF110, VF161- VF170, VK161-VK170, VL011-VL040, VL796-VL805, VN171- VN189, VN211-VN220, VN241-VN289, VN371-VN420, VN531- VN545, VN551-VN633 |
| 96 | 24 | PV | D08028J | 4 | | 73-21-11 | TB0182Y | A007 | BJ | | 3 | | VK055-VK080, VK171-VK179, VL931-VL940, VN221- VN230, VN491-VN529, VN671-VN675, VN681-VN730, VN931- VN949, VN966-VN967, VN971-VN990, VR471-VR471, VS206- VS207 |
| 96 | 24 | PV | D08028J | 4 | | 73-21-11 | TB0182Y | A007 | BJ | | 1 | | VK180-VK180, VN530-VN530, VN950-VN950, VR421- VR421, VS091-VS094 |
| 96 | 24 | PV | D08028J | 4 | | 73-21-11 | TB0182Y | A007 | BJ | | 1 | | VL806-VL810, VL871-VL880, VN190-VN190, VN290- VN290, VS061-VS061, VS066-VS070 |
| 096Z | | | D08028J | 5 | | 73-21-11 | TB0182Y | C007 | BJ | | | | VE085-VE100, VE171-VE180, VF061-VF110, VF161- VF170, VK055-VK080, VK161-VK180, VL011-VL040, VL796- VL810, VL871-VL880, VL931-VL940, VN171-VN190, VN211- VN230, VN241-VN290, VN371-VN420, VN491-VN545, VN551- VN633, VN671-VN675, VN681-VN730, VN931-VN950, VN966- VN967, VN971-VN990, VR421-VR421, VR471-VR471, VS061- VS061, VS066-VS070, VS091-VS094, VS206-VS207 |
| 99 | 20 | UA | D10062 | | | 73-21-11 | GDX0003 | S.. | 2 | | 3 | | VB331-VB370, VB441-VB450 |
| 99 | 22 | PA | D10064 | 56 | | 21-58-11 | GDX0002 | D.. | 2 | | 4 | | VE021-VE023 |
| 99 | 22 | PA | D10064 | 56 | | 21-58-11 | GDX0003 | D.. | 2 | | 4 | | VF051-VF060, VF091-VF100, VN211-VN220, VN491- VN529, VN531-VN545, VN551-VN630 |

286T1114-101
Wire Bundle Assembly
Figure 117 (Sheet 65)

25-71-01



BOEING
COMPONENT
MAINTENANCE MANUAL

| WIRE | | FROM EQUIPMENT | | | TO EQUIPMENT | | | WIRE INFO | | | | | |
|--------|----|----------------|--------|------|--------------|----------|---------|-----------|----|-------------|----|-------|---|
| NUMBER | GA | TYP | NUMBER | TERM | TT | WDM REF | NUMBER | TERM | TT | EMC/ SEP | FT | NOTES | EFFECTIVITY |
| 99 | 20 | UA | D10062 | | | 73-21-11 | GDX0003 | S.. | 2 | | 4 | | VF171-VF180, VK012-VK019, VL751-VL790, VL891-VL909, VL911-VL929, VN231-VN240, VM421-VM490, VN546-VN550, VN634-VN650, VN791-VN810, VN921-VN930, VN951-VN959 |
| 99 | 20 | UA | D10062 | | | 73-21-11 | GDX0003 | S.. | 2 | | 2 | | VF251-VF260, VK020-VK020, VK181-VK190, VL910-VL910, VL930-VL930, VN960-VN960, VN968-VN970, VR461-VR461, VS051-VS052, VS131-VS132, VS176-VS177, VS261-VS262 |
| 99 | 22 | PA | D10064 | 56 | | 21-58-11 | GDX0003 | D.. | 2 | | 3 | | VK131-VK140, VL002-VL010 |
| 99 | 22 | PA | D10064 | 56 | | 21-58-11 | GDX0003 | D.. | 2 | | 2 | | VN530-VN530 |
| 99 | 20 | UA | D10062 | | | 73-21-11 | GDX0003 | S.. | 2 | | 2 | | VS073-VS073, VS266-VS268 |
| 100 | 20 | UA | D10064 | | | 73-21-11 | GDX0003 | S.. | 2 | | 3 | | VB331-VB370, VB441-VB450 |
| 100 | 20 | UA | D10064 | | | 73-21-11 | GDX0003 | S.. | 2 | | 4 | | VF171-VF180, VK012-VK019, VL751-VL790, VL891-VL909, VL911-VL929, VN231-VN240, VM421-VN490, VN546-VN550, VN634-VN650, VN791-VN810, VN921-VN930, VN951-VN959 |
| 100 | 20 | UA | D10064 | | | 73-21-11 | GDX0003 | S.. | 2 | | 2 | | VF251-VF260, VK020-VK020, VK181-VK190, VL910-VL910, VL930-VL930, VN960-VN960, VN968-VN970, VR461-VR461, VS051-VS052, VS131-VS132, VS176-VS177, VS261-VS262 |
| 100 | 20 | UA | D10064 | | | 73-21-11 | GDX0003 | S.. | 2 | | 2 | | VS073-VS073, VS266-VS268 |
| 101 | 20 | UA | D10064 | | | 73-21-11 | GDX0003 | S.. | 2 | | 4 | | VA001-VB410, VB421-VB084, VE101-VE170, VF001-VF010, VF021-VF060, VF171-VF180, VK001-VK019, VK021-VK054, VK131-VK140, VL001-VL010, VL751-VL790, VL891-VL909, VL911-VL929, VN001-VN050, VN231-VN240, VN301-VN340, VN421-VN490, VN546-VN550, VN634-VN650, VN791-VN810, VN921-VN930, VN951-VN959, VS196-VS199 |
| 101 | 24 | EK | D10064 | 6 | | 73-21-18 | TB0182Y | A008 | BJ | | 4 | | VB085-VE100, VE171-VE180, VF061-VF070, VF101-VF110, VF161-VF170, VK171-VK179, VL011-VL040, VL796-VL805, VN171-VN189, VN211-VN220, VN241-VN250, VN371-VN420, VN491-VN529, VN531-VN545, VN551-VN633, VN931-VN931, VN966-VN967, VN971-VN990 |

286T1114-101
Wire Bundle Assembly
Figure 117 (Sheet 66)

25-71-01

| WIRE | | FROM EQUIPMENT | | | TO EQUIPMENT | | | WIRE INFO | | | | | |
|--------|----|----------------|--------|------|--------------|----------|---------|-----------|----|-------------|----|-------|--|
| NUMBER | GA | TYP | NUMBER | TERM | TT | WDM REF | NUMBER | TERM | TT | EMC/ SEP | FT | NOTES | EFFECTIVITY |
| 101 | 24 | PK | D10064 | 6 | | 73-21-18 | TB0248X | A016 | BJ | | 4 | | VF071-VF100, VK055-VK080, VK161-VK170, VL931-VL940, VN221-VN230, VN251-VN289, VN671-VN675, VN681-VN730, VN932-VN949, VR471-VR471, VS206-VS207 |
| 101 | 24 | PK | D10064 | 6 | | 73-21-18 | TB0182X | A008 | BJ | | 3 | | VF251-VF260, VK020-VK020, VK181-VK190, VL910-VL910, VL930-VL930, VN960-VN960, VN968-VN970, VR461-VR461, VS051-VS052, VS131-VS132, VS176-VS177, VS261-VS262 |
| 101 | 24 | PK | D10064 | 6 | | 73-21-18 | TB0182Y | A008 | BJ | | 3 | | VK180-VK180, VN190-VN190, VN530-VN530, VR421-VR421, VS061-VS061, VS091-VS094 |
| 101 | 24 | PK | D10064 | 6 | | 73-21-18 | TB0248X | A016 | BJ | | 3 | | VL806-VL810, VN290-VN290, VN950-VN950, VS066-VS070 |
| 101 | 24 | PK | D13600 | 6 | | 73-21-18 | TB0182X | D011 | BJ | | 3 | | VL871-VL880 |
| 101 | 24 | PK | D10064 | 6 | | 73-21-18 | TB0182X | A008 | BJ | | 3 | | VS073-VS073, VS266-VS268 |
| 102 | 22 | PA | D10064 | 15 | | 73-21-18 | GDX0005 | D.. | 2 | | 3 | | VA001-VA300 |
| 102 | 22 | PA | D10064 | 15 | | 73-21-18 | GDX0005 | D.. | 2 | | 4 | | VA301-VB410, VB421-VB421, VF001-VF010, VF021-VF110, VF161-VF180, VK001-VK019, VK021-VK080, VK131-VK140, VK161-VK179, VL001-VL040, VL751-VL790, VL796-VL805, VL891-VL909, VL911-VL929, VL931-VL940, VN001-VN050, VNI171-VN189, VN211-VN289, VN301-VN340, VN371-VN529, VN531-VN650, VN671-VN675, VN681-VN730, VN791-VN810, VN921-VN949, VN951-VN959, VN966-VN967, VN971-VN990, VR471-VR471, VS196-VS199, VS206-VS207 |
| 102 | 22 | PA | D10064 | 15 | | 73-21-18 | GDX0005 | D.. | 2 | | 2 | | VF251-VF260, VK020-VK020, VK180-VK190, VL806-VL810, VL910-VL910, VL930-VL930, VN190-VN190, VN290-VN290, VN530-VN530, VN950-VN950, VN960-VN968-VN970, VR421-VR421, VR461-VR461, VS051-VS052, VS061-VS061, VS066-VS070, VS073-VS073, VS091-VS094, VS131-VS132, VS176-VS177, VS261-VS262, VS266-VS268 |
| 102 | 22 | PA | D13600 | 15 | | 73-21-18 | GDX0005 | D.. | 2 | | 2 | | VL871-VL880 |

286T1114-101
Wire Bundle Assembly
Figure 117 (Sheet 67)

25-71-01



BOEING
COMPONENT
MAINTENANCE MANUAL

| WIRE | | FROM EQUIPMENT | | | TO EQUIPMENT | | | WIRE INFO | | | | | |
|--------|----|----------------|--------|------|--------------|----------|---------|-----------|----|---------|----|-------|---|
| NUMBER | GA | TYP | NUMBER | TERM | TT | WDM REF | NUMBER | TERM | TT | EMC/SEP | FT | NOTES | EFFECTIVITY |
| 105 | 22 | PA | D10062 | 15 | | 73-21-18 | GDX0005 | D.. | 2 | | 3 | | VA001-VB410, VB421-VE180, VF001-VF010, VF021-VF110, VF161-VF180, VK001-VK019, VK021-VK080, VK131-VK140, VK161-VK179, VL001-VL040, VL751-VL790, VL796-VL805, VL891-VL909, VL911-VL929, VL931-VL940, VN001-VN050, VN171-VN189, VN211-VN289, VN301-VN340, VN371-VN529, VN531-VN650, VN671-VN675, VN681-VN730, VN791-VN810, VN921-VN949, VN951-VN959, VN966-VN967, VN971-VN990, VR471-VR471, VS196-VS199, VS206-VS207 |
| 105 | 22 | PA | D10062 | 15 | | 73-21-18 | GDX0005 | D.. | 2 | | 2 | | VF251-VF260, VK020-VK020, VK180-VK190, VL806-VL810, VL910-VL910, VL930-VL930, VN190-VN190, VN290-VN290, VN530-VN530, VN950-VN950, VN960-VN960, VN968-VN970, VR421-VR421, VR461-VR461, VS051-VS052, VS061-VS061, VS066-VS070, VS073-VS073, VS091-VS094, VS131-VS132, VS176-VS177, VS261-VS262, VS266-VS268 |
| 105 | 22 | PA | D13598 | 15 | | 73-21-18 | GDX0005 | D.. | 2 | | 2 | | VL871-VL880 |
| 106 | 24 | PK | D10062 | 6 | | 73-21-18 | TB0182X | B008 | BJ | | 4 | | VA001-VB410, VB421-VE084, VE101-VE170, VF001-VF010, VF021-VF060, VF171-VF180, VK001-VK019, VK021-VK054, VK131-VK140, VL001-VL010, VL751-VL790, VL891-VL909, VL911-VL929, VN001-VN050, VN231-VN240, VN301-VN340, VN421-VN490, VN546-VN550, VN634-VN650, VN791-VN810, VN931-VN930, VN951-VN959, VS196-VS199 |
| 106 | 24 | PK | D10062 | 6 | | 73-21-18 | TB0182Y | C008 | BJ | | 4 | | VE085-VE100, VE171-VE180, VF061-VF070, VF101-VF110, VF161-VF170, VK171-VK179, VL011-VL040, VL796-VL805, VN171-VN189, VN211-VN220, VN241-VN250, VN371-VN420, VN491-VN529, VN531-VN545, VN551-VN633, VN931-VN931, VN966-VN967, VN971-VN990 |
| 106 | 24 | PK | D10062 | 6 | | 73-21-18 | TB0248X | B016 | BJ | | 4 | | VF071-VF100, VK055-VK080, VK161-VK170, VL931-VL940, VN221-VN230, VN251-VN289, VN671-VN675, VN681-VN730, VN932-VN949, VR471-VR471, VS206-VS207 |
| 106 | 24 | PK | D10062 | 6 | | 73-21-18 | TB0182X | B008 | BJ | | 3 | | VF251-VF260, VK020-VK020, VK181-VK190, VL910-VL910, VL930-VL930, VN960-VN960, VN968-VN970, VR461-VR461, VS051-VS052, VS131-VS132, VS176-VS177, VS261-VS262 |

286T1114-101
Wire Bundle Assembly
Figure 117 (Sheet 68)

25-71-01

TESTING & FAULT ISOLATION
01 Page 152K
Nov 01/02



COMPONENT
MAINTENANCE MANUAL

| WIRE | | FROM EQUIPMENT | | | TO EQUIPMENT | | | WIRE INFO | | | |
|--------|--------|----------------|---------|----------|--------------|---------|---------|-----------|-------|---|--|
| NUMBER | GA TYP | NUMBER | TERM TT | WDM REF | NUMBER | TERM TT | EMC/SEP | FT | NOTES | EFFECTIVITY | |
| 106 | 24 PK | D10062 | 6 | 73-21-18 | TE0182X | C008 BJ | | 3 | | VK180-VK180, VN190-VN190, VN530-VN530, VR421-VR421, VS061-VS061, VS091-VS091 | |
| 106 | 24 PK | D10062 | 6 | 73-21-18 | TE0248X | B016 BJ | | 3 | | VL806-VL810, VN290-VN290, VN950-VN950, VS066-VS070 | |
| 106 | 24 PK | D13598 | 6 | 73-21-18 | TE0182X | A012 BJ | | 3 | | VL871-VL880 | |
| 106 | 24 PK | D10062 | 6 | 73-21-18 | TE0182X | B008 BJ | | 3 | | VS073-VS073, VS266-VS266 | |
| 107 | 22 PA | D10064 | 48 | 80-11-11 | GDX0005 | D.. 2 | | 4 | | VA001-VB410, VB421-VE180, VF001-VF010, VF021-VF110, VF161-VF180, VK001-VK019, VK021-VK080, VK131-VK140, VK161-VK179, VL001-VL040, VL751-VL790, VL796-VL805, VL891-VL909, VL911-VL929, VL931-VL940, VN001-VN050, VN171-VN189, VN211-VN289, VN301-VN340, VN371-VN529, VN531-VN650, VN671-VN675, VN681-VN730, VN791-VN810, VN921-VN949, VN951-VN959, VN966-VN967, VN971-VN990, VR471-VR471, VS196-VS199, VS206-VS207 | |
| 107 | 22 PA | D10064 | 48 | 80-11-11 | GDX0005 | D.. 2 | | 2 | | VF251-VF260, VK020-VK020, VK180-VK190, VL806-VL810, VL910-VL910, VL930-VL930, VN190-VN190, VN290-VN290, VN530-VN530, VN950-VN950, VN960-VN968-VN970, VR421-VR421, VR461-VR461, VS051-VS052, VS061-VS061, VS066-VS070, VS073-VS073, VS091-VS094, VS131-VS132, VS176-VS177, VS261-VS262, VS266-VS266 | |
| 107 | 22 PA | D13600 | 48 | 80-11-11 | GDX0005 | D.. 2 | | 2 | | VL871-VL880 | |
| 108 | 22 PA | D10064 | 39 | 80-11-11 | GDX0005 | D.. 2 | | 4 | | VA001-VB410, VB421-VE180, VF001-VF010, VF021-VF110, VF161-VF180, VK001-VK019, VK021-VK080, VK131-VK140, VK161-VK179, VL001-VL040, VL751-VL790, VL796-VL805, VL891-VL909, VL911-VL929, VL931-VL940, VN001-VN050, VN171-VN189, VN211-VN289, VN301-VN340, VN371-VN529, VN531-VN650, VN671-VN675, VN681-VN730, VN791-VN810, VN921-VN949, VN951-VN959, VN966-VN967, VN971-VN990, VR471-VR471, VS196-VS199, VS206-VS207 | |

286T1114-101
Wire Bundle Assembly
Figure 117 (Sheet 69)

25-71-01



BOEING
COMPONENT
MAINTENANCE MANUAL

| WIRE | | FROM EQUIPMENT | | | TO EQUIPMENT | | | WIRE INFO | | | | | |
|--------|----|----------------|--------|------|--------------|----------|---------|-----------|----|---------|----|-------|--|
| NUMBER | GA | TYP | NUMBER | TERM | TT | WDM REF | NUMBER | TERM | TT | EMC/SEP | FT | NOTES | EFFECTIVITY |
| 108 | 22 | PA | D10064 | 39 | | 80-11-11 | GDX0005 | D.. | 2 | | 2 | | VF251-VF260, VK020-VK020, VK180-VK190, VL806-VL810, VL910-VL910, VL930-VL930, VN190-VN190, VN290-VN290, VN530-VN530, VN950-VN950, VN960-VN960, VN968-VN970, VR421-VR421, VR461-VR461, VS051-VS052, VS061-VS061, VS066-VS070, VS073-VS073, VS091-VS094, VS131-VS132 VS176-VS177, VS261-VS262, VS266-VS268 |
| 108 | 22 | PA | D13600 | 39 | | 80-11-11 | GDX0005 | D.. | 2 | | 2 | | VL871-VL880 |
| 109 | 22 | PA | D10062 | 48 | | 80-11-21 | GDX0005 | D.. | 2 | | 4 | | VA001-VB410, VB421-VE180, VF001-VF010, VF021-VF110, VF161-VF180, VK001-VK019, VK021-VK080, VK131-VK140, VK161-VK179, VL001-VL040, VL751-VL790, VL796-VL805, VL891-VL909, VL911-VL929, VL931-VL940, VN001-VN050, VN171-VN189, VN211-VN289, VN301-VN340, VN371-VN529 VN531-VN650, VN671-VN675, VN681-VN730, VN791-VN810, VN921-VN949, VN951-VN959, VN966-VN967, VN971-VN990, VR471-VR471, VS196-VS199, VS206-VS207 |
| 109 | 22 | PA | D10062 | 48 | | 80-11-21 | GDX0005 | D.. | 2 | | 2 | | VF251-VF260, VK020-VK020, VK180-VK190, VL806-VL810, VL910-VL910, VL930-VL930, VN190-VN190, VN290-VN290, VN530-VN530, VN950-VN950, VN960-VN960, VN968-VN970, VR421-VR421, VR461-VR461, VS051-VS052, VS061-VS061, VS066-VS070, VS073-VS073, VS091-VS094, VS131-VS132 VS176-VS177, VS261-VS262, VS266-VS268 |
| 109 | 22 | PA | D13598 | 48 | | 80-11-21 | GDX0005 | D.. | 2 | | 2 | | VL871-VL880 |
| 110 | 22 | PA | D10062 | 39 | | 80-11-21 | GDX0005 | D.. | 2 | | 4 | | VA001-VB410, VB421-VE180, VF001-VF010, VF021-VF110, VF161-VF180, VK001-VK019, VK021-VK080, VK131-VK140, VK161-VK179, VL001-VL040, VL751-VL790, VL796-VL805, VL891-VL909, VL911-VL929, VL931-VL940, VN001-VN050, VN171-VN189, VN211-VN289, VN301-VN340, VN371-VN529 VN531-VN650, VN671-VN675, VN681-VN730, VN791-VN810, VN921-VN949, VN951-VN959, VN966-VN967, VN971-VN990, VR471-VR471, VS196-VS199, VS206-VS207 |

286T1114-101
Wire Bundle Assembly
Figure 117 (Sheet 70)

25-71-01

| WIRE | | | FROM EQUIPMENT | | | TO EQUIPMENT | | | WIRE INFO | | | | |
|--------|----|-----|----------------|------|----|--------------|---------|------|-----------|-------------|----|-------|---|
| NUMBER | GA | TYP | NUMBER | TERM | TT | WDM REF | NUMBER | TERM | TT | EMC/ SEP | FT | NOTES | EFFECTIVITY |
| 110 | 22 | PA | D10062 | 39 | | 80-11-21 | GDX0005 | D.. | 2 | | 2 | | VF251-VF260, VK020-VK020, VK180-VK190, VL806-VL810, VL910-VL910, VL930-VL930, VN190-VN190, VN290-VN290, VN530-VN530, VN950-VN950, VN960-VN960, VN968-VN970, VR421-VR421, VR461-VR461, VS051-VS052, VS061-VS061, VS066-VS070, VS073-VS073, VS091-VS094, VS131-VS132 VS176-VS177, VS261-VS262, VS266-VS268 |
| 110 | 22 | PA | D13598 | 39 | | 80-11-21 | GDX0005 | D.. | 2 | | 2 | | VL871-VL880 |
| 111 | 22 | PA | D08036J | 24 | | 21-58-11 | TB0158F | A011 | 2 | | 3 | | VA001-VB410, VB421-VE180, VF001-VF010, VF021-VF110, VF161-VF180, VK001-VK019, VK021-VK080, VK131-VK140, VK161-VK179, VL001-VL040, VL751-VL790, VL796-VL805, VL911-VL929, VL931-VL940, VN001-VN050, VNI171-VNI189, VN211-VN289, VN301-VN340, VN371-VN529, VN531-VN650 VN671-VN675, VN681-VN730, VN791-VN810, VN921-VN949, VN951-VN959, VN966-VN967, VN971-VN990, VRA471-VRA471, VS196-VS199, VS206-VS207 |
| 111 | 22 | PA | D08036J | 24 | | 21-58-11 | TB0158F | A011 | 2 | | 2 | | VF251-VF260, VK020-VK020, VK180-VK190, VL806-VL810, VL871-VL880, VL930-VL930, VN190-VN190, VN290-VN290, VN530-VN530, VN950-VN950, VN960-VN960, VN968-VN970, VR421-VR421, VR461-VR461, VS051-VS052, VS061-VS061, VS066-VS070, VS073-VS073, VS091-VS094, VS131-VS132 VS176-VS177, VS261-VS262, VS266-VS268 |
| 111 | 22 | PA | D08036J | 24 | | 21-58-11 | TB0158F | A011 | 2 | | 3 | | VL891-VL909 |
| 111 | 22 | PA | D08036J | 24 | | 21-58-11 | TB0158F | A011 | 2 | | 2 | | VL910-VL910 |
| 112 | 24 | PK | D08028J | 21 | | 21-58-14 | TB0182X | C013 | BJ | | 3 | | VA001-VA315, VA501-VA519, VA701-VA712, VA801-VA810, VB001-VB055, VB102-VB123, VB201-VB202, VB251-VB253, VB281-VB284, VB301-VB302, VB321-VB324, VB371-VB373, VB401-VB401, VE001-VE002, VE024-VE068, VE101-VE103, VE116-VE117, VK001-VK003 |

 286T1114-101
 Wire Bundle Assembly
 Figure 117 (Sheet 71)

25-71-01

 TESTING & FAULT ISOLATION
 01 Page 152N
 Nov 01/02



BOEING
COMPONENT
MAINTENANCE MANUAL

| WIRE | | | FROM EQUIPMENT | | | TO EQUIPMENT | | | WIRE INFO | | | | |
|--------|----|-----|----------------|------|----|--------------|---------|------|-----------|---------|----|--------|--|
| NUMBER | GA | TYP | NUMBER | TERM | TT | WDM REF | NUMBER | TERM | TT | EMC/SEP | FT | NOTES | EFFECTIVITY |
| 112 | 24 | PK | D08028J | 21 | | 21-58-14 | TB0158G | 27 | 2 | | 2 | | VA316-VA500, VA520-VA700, VA713-VA800, VA811-VA999, VB056-VB100, VB124-VB200, VB203-VB250, VB254-VB280, VB285-VB300, VB303-VB320, VB325-VB370, VB374-VB400, VB402-VB410, VB421-VB499, VE003-VE030, VE069-VE100, VE104-VE115, VE118-VE180, VF001-VF010, VF021-VF110, VF161-VF180, VK004-VK019, VK021-VK080, VK131-VK140, VK161-VK179, VL001-VL040, VL751-VL790, VL796-VL805, VL911-VL929, VN001-VN050, VN171-VN189, VN211-VN220, VN231-VN289, VN301-VN340, VN371-VN490, VN531-VN650, VN791-VN810, VN921-VN930, VN951-VN959, VR471-VB101-VB101 |
| 112 | 24 | PK | D08028J | 21 | | 21-58-14 | TB0158G | 27 | 2 | | 3 | ZSZ-B6 | |
| 112 | 24 | PK | D08028J | 21 | | 21-58-14 | TB0182Y | C006 | BJ | | 4 | | VE021-VE023 |
| 112 | 24 | PK | D08028J | 21 | | 21-58-14 | TB0158G | 27 | 2 | | 2 | | VF251-VF260, VK020-VK020, VK180-VK190, VL806-VL810, VL871-VL880, VL930-VL930, VN190-VN190, VN290-VN290, VN960-VN960, VR421-VR421, VR461-VR461, VS051-VS052, VS061-VS061, VS066-VS070, VS073-VS073, VS091-VS094, VS176-VS177, VS261-VS262, VS266-VS268 |
| 112 | 24 | PK | D08028J | 21 | | 21-58-14 | TB0158G | 27 | 2 | | 2 | | VL891-VL909 |
| 112 | 24 | PK | D08028J | 21 | | 21-58-14 | TB0158G | 27 | 2 | | 2 | | VL910-VL910 |
| 112 | 24 | PK | D08028J | 21 | | 21-58-14 | TB0158Y | A002 | BJ | | 3 | | VL931-VL940, VN223-VN230, VN491-VN529, VN671-VN675, VN681-VN730, VN931-VN949, VN966-VN967, VN971-VN990, VS206-VS207 |
| 112 | 24 | PK | D08028J | 21 | | 21-58-14 | TB0158Y | C014 | BJ | | 3 | | VN221-VN222 |
| 112 | 24 | PK | D08028J | 21 | | 21-58-14 | TB0158Y | A002 | BJ | | 2 | | VN530-VN530, VN950-VN950, VN968-VN970, VS131-VS132 |
| 113 | 24 | PK | D08036J | 22 | | 21-58-15 | TB0182X | C016 | BJ | | 3 | | VA001-VB410, VB421-VE180, VF001-VF010, VF021-VF110, VF161-VF179, VK001-VK019, VK021-VK080, VK131-VK140, VK161-VK179, VL001-VL040, VL751-VL790, VL796-VL805, VL911-VL929, VL931-VL940, VN001-VN050, VN171-VN189, VN211-VN289, VN301-VN340, VN371-VN529, VN531-VN650, VN671-VN675, VN681-VN730, VN791-VN810, VN921-VN949, VN951-VN959, VN966-VN967, VN971-VN990, VR471-VR471, VS196-VS199, VS206-VS207 |

286T1114-101
Wire Bundle Assembly
Figure 117 (Sheet 72)

25-71-01

TESTING & FAULT ISOLATION
01

Page 1520
Nov 01/02

| WIRE | | FROM EQUIPMENT | | | TO EQUIPMENT | | | WIRE INFO | | | | | |
|--------|----|----------------|---------|------|--------------|----------|---------|-----------|----|---------|----|--------|---|
| NUMBER | GA | TYP | NUMBER | TERM | TT | WDM REF | NUMBER | TERM | TT | EMC/SEP | FT | NOTES | EFFECTIVITY |
| 113 | 24 | PK | D08036J | 22 | | 21-58-15 | TB0182X | C016 | BJ | | 2 | | VF251-VF260, VK020-VK020, VK180-VK190, VL806-VL810, VL871-VL880, VL930-VL930, VN190-VN190, VN290-VN290, VN530-VN530, VN950-VN950, VN960-VN960, VN968-VN970, VR421-VR421, VR461-VR461, VS051-VS052, VS061-VS061, VS066-VS070, VS073-VS073, VS091-VS094, VS131-VS132 VS176-VS177, VS261-VS262, VS266-VS268 |
| 113 | 24 | PK | D08036J | 22 | | 21-58-15 | TB0182X | C016 | BJ | | 3 | | VL891-VL909 |
| 113 | 24 | PK | D08036J | 22 | | 21-58-15 | TB0182X | C016 | BJ | | 2 | | VL910-VL910 |
| 114 | 24 | PK | D08036J | 23 | | 21-58-11 | TB0158F | C011 | 2 | | 3 | | VA001-VA508, VA514-VA710, VA713-VB050, VB056-VB110, VB122-VB301, VB303-VB322, VB325-VB370, VB374-VB410, VB421-VE060, VE063-VE180, VF001-VF010, VF021-VF110, VF161-VF180, VK001-VK019, VK021-VK080, VK131-VK140, VK161-VK179, VL001-VL040, VL796-VL805, VL911-VL929 VL931-VL940, VN001-VN050, VN171-VN173, VN211-VN224, VN231-VN289, VN301-VN340, VN371-VN387, VN421-VN421, VN471-VN529, VN531-VN650, VN671-VN675, VN681-VN730, VN791-VN810, VN921-VN949, VN951-VN959, VR471-VR471, VS196-VS199, VS206-VS207 |
| 114 | 24 | PK | D08036J | 23 | | 21-58-11 | TB0158F | CAP | Y | | 3 | ZSZ-B6 | VA509-VA513, VB051-VB055, VB111-VB121, VB323-VB324 |
| 114 | 24 | PK | D08036J | 23 | | 21-58-11 | TB0158 | CAP | Y | | 3 | ZSZ-B6 | VA711-VA712, VB302-VB302, VB371-VB373 |
| 114 | 24 | PK | D08036J | 23 | | 21-58-11 | TB0158 | CAP | Y | | 3 | ZSZ-B6 | VE061-VE062 |
| 114 | 24 | PK | D08036J | 23 | | 21-58-11 | TB0158F | C011 | 2 | | 2 | | MHA-F2 |
| 114 | 24 | PK | D08036J | 23 | | 21-58-11 | TB0158F | C011 | 2 | | 2 | | VK020-VK020, VK180-VK190, VL871-VL880, VL930-VL930, VN290-VN290, VN530-VN530, VN950-VN950, VN960-VN960, VR421-VR421, VR461-VR461, VS051-VS052, VS066-VS070, VS073-VS073, VS266-VS268 |
| 114 | 24 | PK | D08036J | 23 | | 21-58-11 | TB0158F | C011 | 2 | | 3 | | VL891-VL909 |
| 114 | 24 | PK | D08036J | 23 | | 21-58-11 | TB0158F | C011 | 2 | | 2 | | VL910-VL910 |

 286T1114-101
 Wire Bundle Assembly
 Figure 117 (Sheet 73)

25-71-01



BOEING
COMPONENT
MAINTENANCE MANUAL

| WIRE | | FROM EQUIPMENT | | | TO EQUIPMENT | | | WIRE INFO | | |
|--------|--------|----------------|---------|----------|--------------|---------|---------|-----------|-------|--|
| NUMBER | GA TYP | NUMBER | TERM TT | WDM REF | NUMBER | TERM TT | EMC/SEP | FT | NOTES | EFFECTIVITY |
| 115 | 24 PK | D08028J | 23 | 21-58-11 | TB0182Y | A001 BJ | | 3 | | VA001-VB410, VB421-VE180, VF001-VF010, VF021-VF110, VF161-VF180, VK001-VK019, VK021-VK080, VK131-VK140, VK161-VK179, VL001-VL040, VL751-VL790, VL796-VL805, VL911-VL929, VL931-VL940, VN001-VN050, VN171-VN189, VN211-VN289, VN301-VN340, VN371-VN529, VN531-VN650, VN671-VN675, VN681-VN730, VN791-VN810, VN921-VN949, VN951-VN959, VN966-VN967, VN971-VN990, VR471-VR471, VS196-VS199, VS206-VS207 |
| 115 | 24 PK | D08028J | 23 | 21-58-11 | TB0182Y | A001 BJ | | 1 | | VF251-VF260, VK020-VK020, VK180-VK190, VL806-VL810, VL871-VL880, VL930-VL930, VN190-VN190, VN290-VN290, VN530-VN530, VN950-VN950, VN960-VN960, VN968-VN970, VR421-VR421, VR461-VR461, VS051-VS052, VS061-VS061, VS066-VS070, VS073-VS073, VS091-VS094, VS131-VS132, VS176-VS177, VS261-VS262, VS266-VS268 |
| 115 | 24 PK | D08028J | 23 | 21-58-11 | TB0182Y | A001 BJ | | 3 | | VL891-VL909 |
| 115 | 24 PK | D08028J | 23 | 21-58-11 | TB0182Y | A001 BJ | | 1 | | VL910-VL910 |
| 116 | 24 PK | D08028J | 24 | 21-58-11 | TB0182Y | C002 BJ | | 3 | | VA001-VB410, VB421-VE180, VF001-VF010, VF021-VF110, VF161-VF180, VK001-VK019, VK021-VK080, VK131-VK140, VK161-VK179, VL001-VL040, VL751-VL790, VL796-VL805, VL911-VL929, VL931-VL940, VN001-VN050, VN171-VN189, VN211-VN289, VN301-VN340, VN371-VN529, VN531-VN650, VN671-VN675, VN681-VN730, VN791-VN810, VN921-VN949, VN951-VN959, VN966-VN967, VN971-VN990, VR471-VR471, VS196-VS199, VS206-VS207 |
| 116 | 24 PK | D08028J | 24 | 21-58-11 | TB0182Y | C002 BJ | | 1 | | VF251-VF260, VK020-VK020, VK180-VK190, VL806-VL810, VL871-VL880, VL930-VL930, VN190-VN190, VN290-VN290, VN530-VN530, VN950-VN950, VN960-VN960, VN968-VN970, VR421-VR421, VR461-VR461, VS051-VS052, VS061-VS061, VS066-VS070, VS073-VS073, VS091-VS094, VS131-VS132, VS176-VS177, VS261-VS262, VS266-VS268 |
| 116 | 24 PK | D08028J | 24 | 21-58-11 | TB0182Y | C002 BJ | | 3 | | VL891-VL909 |
| 116 | 24 PK | D08028J | 24 | 21-58-11 | TB0182Y | C002 BJ | | 1 | | VL910-VL910 |

286T1114-101
Wire Bundle Assembly
Figure 117 (Sheet 74)

25-71-01

| WIRE | | FROM EQUIPMENT | | | TO EQUIPMENT | | | WIRE INFO | | |
|--------|--------|----------------|---------|----------|--------------|---------|---------|-----------|-------|---|
| NUMBER | GA TYP | NUMBER | TERM TT | WDM REF | NUMBER | TERM TT | EMC/SEP | FT | NOTES | EFFECTIVITY |
| 117 | 24 PK | D08028J | 22 | 21-58-11 | TB0158G | 2 2 | | 3 | | VA001-VA020, VA301-VA315, VA501-VA530, VA701-VA719, VA801-VA810, VB001-VB002, VB051-VB055, VB101-VB125, VB201-VB202, VB251-VB253, VB281-VB284, VB301-VB302, VB321-VB330, VB371-VB373, VB401-VB401, VE001-VE003, VE021-VE023, VE041-VE043, VE061-VE069, VE083-VE086, VE101-VE104, VE116-VE117, VE121-VE126, VE141-VE146, VE171-VE171, VF001-VF002, VF041-VF042, VF051-VF051, VF061-VF061, VF091-VF091, VK001-VK009, VK021-VK022, VK031-VK045, VL001-VL006, VL011-VL011, VN001-VN015, VN171-VN173, VN211-VN212, VN221-VN222, VN231-VN232, VN241 |
| 117 | 24 PK | D08028J | 22 | 21-58-11 | TB0158Y | C003 BJ | | 3 | | VA021-VA300, VA316-VA500, VA531-VA700, VA720-VA800, VA811-VA999, VB003-VB050, VB056-VB100, VB126-VB200, VB203-VB250, VB254-VB280, VB285-VB300, VB303-VB320, VB331-VB370, VB374-VB400, VB402-VB410, VB421-VB999, VE004-VE020, VE024-VE040, VE044-VE060, VE070-VE082, VE087-VE100, VE105-VE115, VE118-VE120, VE127-VE140, VE147-VE170, VE172-VE180, VF003-VF010, VF021-VF040, VF043-VF050, VF052-VF060, VF062-VF090, VF092-VF110, VF161-VF180, VK010-VK019, VK023-VK030, VK046-VK080, VK131-VK140, VK161-VK179, VL007-VL010, VL012-VL040, VL751-VL790, VL796-VL805, VL911-VL929, VL931-VL940, VN016-VN050, VN174-VN189, VN213-VN220, VN223-VN230, VN233-VN240, VN242-VN289, VN301-VN340, VN371-VN529, VNS31-VN650, VN671-VN675, VN681-VN730, VN791-VN810, VN921-VN949, VN951-VN959, VN966-VN967, VN971-VN990, VR471-VR471, VS196-VS199, VS206-VS207 |

 286T1114-101
 Wire Bundle Assembly
 Figure 117 (Sheet 75)



BOEING
COMPONENT
MAINTENANCE MANUAL

| WIRE | | | FROM EQUIPMENT | | | | TO EQUIPMENT | | | | WIRE INFO | | | |
|--------|----|-----|----------------|------|----|----------|--------------|------|----|---------|-----------|-------|--|--|
| NUMBER | GA | TYP | NUMBER | TERM | TT | WDM REF | NUMBER | TERM | TT | EMC/SEP | FT | NOTES | EFFECTIVITY | |
| 117 | 24 | PK | D08028J | 22 | | 21-58-11 | TB0158Y | C003 | BJ | | 2 | | VF251-VF260, VK020-VK020, VK180-VK190, VL806-VL810, VL871-VL880, VL930-VL930, VN190-VN190, VN290-VN290, VN530-VN530, VN950-VN950, VN960-VN960, VN968-VN970, VR421-VR421, VR461-VR461, VS051-VS052, VS061-VS061, VS066-VS070, VS073-VS073, VS091-VS094, VS131-VS132 VS176-VS177, VS261-VS262, VS266-VS268 | |
| 117 | 24 | PK | D08028J | 22 | | 21-58-11 | TB0158Y | C003 | BJ | | 3 | | VL891-VL909 | |
| 117 | 24 | PK | D08028J | 22 | | 21-58-11 | TB0158Y | C003 | BJ | | 2 | | VL910-VL910 | |
| 118 | 24 | PK | TB0182D | C023 | 2 | 27-58-21 | TB0182D | C024 | 2 | | 3 | | VA001-VA020, VA501-VA519, VA701-VA712, VA801-VA810, VB001-VB002, VB051-VB055, VB201-VB202, VB251-VB253, VB281-VB284, VB301-VB302, VB321-VB324, VB401-VB401, VE001-VE002, VE021-VE023, VE041-VE043, VE061-VE068, VE101-VE103, VE116-VE117 | |
| 119 | 24 | PK | TB0182D | C025 | 2 | 27-58-21 | TB0182D | C026 | 2 | | 3 | | VA001-VB410, VB421-VE180, VF001-VF010, VF021-VF110, VF161-VF180, VK001-VK019, VK021-VK080, VK131-VK140, VK161-VK179, VL001-VL040, VL751-VL790, VL796-VL805, VL911-VL929, VL931-VL940, VN001-VN050, VN171-VN189, VN211-VN289, VN301-VN340, VN371-VN529, VN531-VN650, VN671-VN675, VN681-VN730, VN791-VN810, VN921-VN949, VN951-VN959, VN966-VN967, VN971-VN990, VR471-VR471, VS196-VS199, VS206-VS207 | |
| 119 | 24 | PK | TB0182D | C025 | 2 | 27-58-21 | TB0182D | C026 | 2 | | 3 | | VF251-VF260, VL806-VL810, VL871-VL880 | |
| 119 | 24 | PK | TB0182D | C025 | 2 | 27-58-21 | TB0182D | C026 | 2 | | 3 | | VK020-VK020, VK180-VK190, VL930-VL930, VN190-VN190, VN290-VN290, VN530-VN530, VN950-VN950, VN960-VN960, VN968-VN970, VR421-VR421, VR461-VR461, VS051-VS052, VS061-VS061, VS066-VS070, VS073-VS073, VS091-VS094, VS131-VS132, VS176-VS177, VS261-VS262, VS266-VS266 | |
| 119 | 24 | PK | TB0182D | C025 | 2 | 27-58-21 | TB0182D | C026 | 2 | | 3 | | VL891-VL909 | |
| 119 | 24 | PK | TB0182D | C025 | 2 | 27-58-21 | TB0182D | C026 | 2 | | 3 | | VL910-VL910 | |

286T1114-101
Wire Bundle Assembly
Figure 117 (Sheet 76)

25-71-01

TESTING & FAULT ISOLATION
01 Page 152S

Nov 01/02

| WIRE | | | FROM EQUIPMENT | | | | TO EQUIPMENT | | | | WIRE INFO | | | |
|--------|----|-----|----------------|------|----|----------|--------------|------|----|---------|-----------|-------|--|--|
| NUMBER | GA | TYP | NUMBER | TERM | TT | WDM REF | NUMBER | TERM | TT | EMC/SEP | FT | NOTES | EFFECTIVITY | |
| 120 | 24 | PK | TB0182D | C019 | 2 | 27-58-21 | TB0182D | C020 | 2 | | 3 | | VA001-VB410, VB421-VE180, VF001-VF010, VF021-VF110, VF161-VF180, VK001-VK019, VK021-VK080, VK131-VK140, VK161-VK179, VL001-VL040, VL751-VL790, VL796-VL805, VL911-VL929, VL931-VL940, VN001-VN050, VN171-VN189, VN211-VN289, VN301-VN340, VN371-VN529, VN531-VN650, VN671-VN675, VN681-VN730, VN791-VN810, VN921-VN949, VN951-VN959, VN966-VN967, VN971-VN990, VR471-VR471, VS196-VS199, VS206-VS207 | |
| 120 | 24 | PK | TB0182D | C019 | 2 | 27-58-21 | TB0182D | C020 | 2 | | 3 | | VF251-VF250, VL806-VL810, VL871-VL880 | |
| 120 | 24 | PK | TB0182D | C019 | 2 | 27-58-21 | TB0182D | C020 | 2 | | 3 | | VK020-VK030, VK180-VK190, VL930-VL930, VNI90-VNI90, VN290-VN290, VN530-VN530, VN950-VN950, VN960-VN960, VN968-VN970, VR421-VR421, VR461-VR461, VS051-VS052, VS061-VS061, VS066-VS070, VS073-VS073, VS091-VS094, VS131-VS132, VS176-VS177, VS261-VS262, VS266-VS268 | |
| 120 | 24 | PK | TB0182D | C019 | 2 | 27-58-21 | TB0182D | C020 | 2 | | 3 | | VL891-VL909 | |
| 120 | 24 | PK | TB0182D | C019 | 2 | 27-58-21 | TB0182D | C020 | 2 | | 4 | | VL910-VL910 | |
| 121 | 24 | PK | D02674 | 52 | | 27-51-31 | TB0158F | A024 | 2 | | 4 | | VA001-VA500, VA502-VB410, VB421-VE180, VF001-VF010, VF021-VF110, VF161-VF180, VK001-VK019, VK021-VK080, VK131-VK140, VK161-VK179, VL001-VL040, VL751-VL790, VL796-VL805, VL891-VL909, VL911-VL929, VL931-VL940, VN001-VN050, VNI71-VNI89, VN211-VN289, VN301-VN340, VN371-VN529, VN531-VN650, VN671-VN675, VN681-VN730, VN791-VN810, VN921-VN949, VN951-VN959, VN966-VN967, VN971-VN990, VR471-VR471, VS196-VS199, VS206-VS207 | |
| 121 | 24 | PK | D02674 | 52 | | 27-51-31 | TB0158F | A024 | 2 | | 2 | | VA501-VA501 | |

 286T1114-101
 Wire Bundle Assembly
 Figure 117 (Sheet 77)

25-71-01

 TESTING & FAULT ISOLATION
 01 Page 152T
 Nov 01/02



BOEING
COMPONENT
MAINTENANCE MANUAL

| WIRE | | FROM EQUIPMENT | | | TO EQUIPMENT | | | WIRE INFO | | | | | |
|--------|----|----------------|--------|------|--------------|----------|---------|-----------|----|---------|----|-------|---|
| NUMBER | GA | TYP | NUMBER | TERM | TT | WDM REF | NUMBER | TERM | TT | EMC/SEP | FT | NOTES | EFFECTIVITY |
| 121 | 24 | PK | D02674 | 52 | | 27-51-31 | TE0158F | A024 | 2 | | 3 | | VF251-VF260, VK020-VK020, VK180-VK190, VL806-VL810, VL871-VL880, VL910-VL910, VL930-VL930, VN190-VN190, VN290-VN290, VN530-VN530, VN950-VN950, VN960-VN960, VN968-VN970, VR421-VR421, VR461-VR461, VS051-VS052, VS061-VS061, VS066-VS070, VS073-VS073, VS091-VS094 VS131-VS132, VS176-VS177, VS261-VS262, VS266-VS268 |
| 122 | 20 | UA | D10062 | | | 73-21-11 | GDX0003 | S.. | 2 | | 3 | | VB331-VB370, VB441-VB450 |
| 122 | 20 | UA | D10062 | | | 73-21-11 | GDX0003 | S.. | 2 | | 4 | | VF171-VF180, VK012-VK019, VL751-VL790, VL891-VL909, VL911-VL929, VN231-VN240, VN421-VN490, VN546-VN550, VN634-VN650, VN791-VN810, VN921-VN930, VN951-VN959 |
| 122 | 20 | UA | D10062 | | | 73-21-11 | GDX0003 | S.. | 2 | | 2 | | VF251-VF260, VK020-VK020, VK181-VK190, VL910-VL910, VL930-VL930, VN960-VN960, VN968-VN970, VR461-VR461, VS051-VS052, VS131-VS132, VS176-VS177, VS261-VS262 |
| 122 | 20 | UA | D10062 | | | 73-21-11 | GDX0003 | S.. | 2 | | 2 | | VS073-VS073, VS266-VS268 |
| 123 | 20 | UA | D10064 | | | 73-21-11 | GDX0003 | S.. | 2 | | 3 | | VB331-VB370, VB441-VB450 |
| 123 | 20 | UA | D10064 | | | 73-21-11 | GDX0003 | S.. | 2 | | 4 | | VF171-VF180, VK012-VK019, VL751-VL790, VL891-VL909, VL911-VL929, VN231-VN240, VN421-VN490, VN546-VN550, VN634-VN650, VN791-VN810, VN921-VN930, VN951-VN959 |
| 123 | 20 | UA | D10064 | | | 73-21-11 | GDX0003 | S.. | 2 | | 2 | | VF251-VF260, VK020-VK020, VK181-VK190, VL910-VL910, VL930-VL930, VN960-VN960, VN968-VN970, VR461-VR461, VS051-VS052, VS131-VS132, VS176-VS177, VS261-VS262 |
| 123 | 20 | UA | D10064 | | | 73-21-11 | GDX0003 | S.. | 2 | | 2 | | VS073-VS073, VS266-VS268 |
| 123 | 20 | UA | D10064 | | | 73-21-11 | GDX0003 | S.. | 2 | | 3 | | VB331-VB370, VB441-VB450 |
| 123 | 20 | UA | D10064 | | | 73-21-11 | GDX0003 | S.. | 2 | | 4 | | VF171-VF180, VK012-VK019, VL751-VL790, VL891-VL909, VL911-VL929, VN231-VN240, VN421-VN490, VN546-VN550, VN634-VN650, VN791-VN810, VN921-VN930, VN951-VN959 |
| 123 | 20 | UA | D10064 | | | 73-21-11 | GDX0003 | S.. | 2 | | 2 | | VF251-VF260, VK020-VK020, VK181-VK190, VL910-VL910, VL930-VL930, VN960-VN960, VN968-VN970, VR461-VR461, VS051-VS052, VS131-VS132, VS176-VS177, VS261-VS262 |
| 123 | 20 | UA | D10064 | | | 73-21-11 | GDX0003 | S.. | 2 | | 2 | | VS073-VS073, VS266-VS268 |
| 124 | 24 | PK | D10064 | 43 | | 23-22-11 | D04885J | 11 | | | 3 | | VE141-VE146 |
| 124 | 24 | PK | D10064 | 43 | | 23-22-11 | D04885J | 11 | | | 4 | | VE148-VE170 |
| 125 | 22 | PA | D10064 | 11 | | 23-22-11 | GDX0003 | D.. | 2 | | 4 | | VE141-VE146, VE148-VE170 |
| 126 | 22 | PA | D10062 | 11 | | 23-22-11 | GDX0005 | D.. | 2 | | 3 | | VE141-VE146 |
| 126 | 22 | PA | D10062 | 11 | | 23-22-11 | GDX0005 | D.. | 2 | | 4 | | VE148-VE170 |
| 127 | 24 | PK | D10062 | 43 | | 23-22-11 | D04885J | 12 | | | 3 | | VE141-VE146 |

286T1114-101
Wire Bundle Assembly
Figure 117 (Sheet 78)

25-71-01

TESTING & FAULT ISOLATION
01

Page 152U
Nov 01/02

| WIRE | | | FROM EQUIPMENT | | | TO EQUIPMENT | | | WIRE INFO | | | | |
|--------|----|-----|----------------|------|----|--------------|---------|------|-----------|-------------|----|------------------|---|
| NUMBER | GA | TYP | NUMBER | TERM | TT | WDM REF | NUMBER | TERM | TT | EMC/ SEP | FT | NOTES | EFFECTIVITY |
| 127 | 24 | PK | D10062 | 43 | | 23-22-11 | D04885J | 12 | | | 4 | | VE148-VE170 |
| 128 | 24 | PV | D10062 | 8 | | 73-21-18 | TB0182Y | C003 | BJ | | 4 | ZSZ-B6 | VE121-VE126, VF041-VF042 |
| 128 | 24 | PV | D10062 | 8 | | 73-21-18 | TB0182Y | C003 | BJ | | 4 | | VE127-VE140, VE147-VE170, VF003-VF010, VF043-VF060, VL007-VL010, VN016-VN050, VN301-VN340, VS196-VS199 |
| 128 | 24 | PV | D10062 | 8 | | 73-21-18 | TB0182Y | C003 | BJ | | 4 | MOT-F2 MNT-T2 | VL001-VL006 |
| 128Z | | | D10062 | DED | | 73-21-18 | TB0182Y | DED | | | | ZSZ-B6 | VE121-VE126, VF041-VF042 |
| 128Z | | | D10062 | DED | | 73-21-18 | TB0182Y | DED | | | | | VE127-VE140, VE147-VE170, VF003-VF010, VF043-VF060, VL001-VL010, VN016-VN050, VN301-VN340, VS196-VS199 |
| 129 | 24 | PV | D10064 | 8 | | 73-21-18 | TB0182Y | A006 | BJ | | 4 | ZSZ-B6 | VE121-VE126, VF041-VF042 |
| 129 | 24 | PV | D10064 | 8 | | 73-21-18 | TB0182Y | A006 | BJ | | 4 | | VE127-VE140, VE147-VE170, VF003-VF010, VF043-VF060, VL007-VL010, VN016-VN050, VN301-VN340, VS196-VS199 |
| 129 | 24 | PV | D10064 | 8 | | 73-21-18 | TB0182Y | A006 | BJ | | 4 | MOT-F2 MNT-T2 | VL001-VL006 |
| 129Z | | | D10064 | DED | | 73-21-18 | TB0182Y | DED | | | | ZSZ-B6 | VE121-VE126, VF041-VF042 |
| 129Z | | | D10064 | DED | | 73-21-18 | TB0182Y | DED | | | | | VE127-VE140, VE147-VE170, VF003-VF010, VF043-VF060, VL001-VL010, VN016-VN050, VN301-VN340, VS196-VS199 |
| 130 | 22 | PA | D10062 | 46 | | 73-21-18 | GDX0005 | D.. | 2 | | 5 | MOT-F2 MNU-T2 | VE085-VE086, VN221-VN222 |
| 130 | 22 | PA | D10062 | 46 | | 73-21-18 | GDX0005 | D.. | 2 | | 4 | | VF071-VF072, VK161-VK161, VN223-VN224, VN671-VN672, VN681-VN683 |
| 130 | 22 | PA | D10062 | 46 | | 73-21-11 | GDX0005 | D.. | 2 | | 4 | | VF073-VF090, VK055-VK080, VK162-VK170, VL931-VL940, VN225-VN230, VN673-VN675, VN684-VN730, VR471-VR471, VS206-VS207 |
| 130 | 22 | PA | D10062 | 46 | | 73-21-11 | GDX0005 | D.. | 2 | | 2 | | VL806-VL810, VN290-VN290, VN950-VN950, VS066-VS070 |
| 130 | 22 | PA | D10062 | 46 | | 73-21-18 | GDX0005 | D.. | 2 | | 3 | | VN251-VN260 |
| 130 | 22 | PA | D10062 | 46 | | 73-21-11 | GDX0005 | D.. | 2 | | 3 | | VN261-VN289, VN931-VN949 |
| 131 | 24 | PK | TB0248X | C016 | BJ | 73-21-18 | D10062 | 14 | | | 5 | MNU-F2 MOT-T2 | VE085-VE086, VN221-VN222 |

286T1114-101
Wire Bundle Assembly
Figure 117 (Sheet 79)

25-71-01



BOEING
COMPONENT
MAINTENANCE MANUAL

| WIRE | | FROM EQUIPMENT | | | | TO EQUIPMENT | | | | WIRE INFO | | | |
|--------|----|----------------|---------|------|----|--------------|---------|------|----|-----------|----|------------------|--|
| NUMBER | GA | TYP | NUMBER | TERM | TT | WDM REF | NUMBER | TERM | TT | EMC/SEP | FT | NOTES | EFFECTIVITY |
| 131 | 24 | PK | TB0248X | C016 | BJ | 73-21-18 | D10062 | 14 | | | 4 | | VF071-VF072, VK161-VK161, VN223-VN224, VN251-VN260, VN671-VN672, VN681-VN683 |
| 131 | 24 | PK | TB0248X | C016 | BJ | 73-21-11 | D10062 | 14 | | | 4 | | VF073-VF090, VK055-VK080, VK162-VK170, VL931-VL940, VN225-VN230, VN261-VN289, VN673-VN675, VN684-VN730, VN931-VN949, VR471-VR471, VS206-VS207 |
| 131 | 24 | PK | TB0248X | C016 | BJ | 73-21-11 | D10062 | 14 | | | 3 | | VL806-VL810, VN290-VN290, VN950-VN950, VS066-VS070 |
| 132 | 24 | PK | TB0248X | D016 | BJ | 73-21-18 | D10064 | 14 | | | 5 | MNU-F2 MOT-T2 | VE085-VE086, VN221-VN222 |
| 132 | 24 | PK | TB0248X | D016 | BJ | 73-21-18 | D10064 | 14 | | | 4 | | VF071-VF072, VK161-VK161, VN223-VN224, VN251-VN260, VN671-VN672, VN681-VN683 |
| 132 | 24 | PK | TB0248X | D016 | BJ | 73-21-11 | D10064 | 14 | | | 4 | | VF073-VF090, VK055-VK080, VK162-VK170, VL931-VL940, VN225-VN230, VN261-VN289, VN673-VN675, VN684-VN730, VN931-VN949, VR471-VR471, VS206-VS207 |
| 132 | 24 | PK | TB0248X | D016 | BJ | 73-21-11 | D10064 | 14 | | | 3 | | VL806-VL810, VN290-VN290, VN950-VN950, VS066-VS070 |
| 133 | 22 | PA | D10064 | 46 | | 73-21-18 | GDX0005 | D.. | 2 | | 5 | MOT-F2 MNU-T2 | VE085-VE086, VN221-VN222 |
| 133 | 22 | PA | D10064 | 46 | | 73-21-18 | GDX0005 | D.. | 2 | | 4 | | VF071-VF072, VN223-VN224, VN671-VN672, VN681-VN683 |
| 133 | 22 | PA | D10064 | 46 | | 73-21-11 | GDX0005 | D.. | 2 | | 4 | | VF073-VF090, VK055-VK080, VK161-VK170, VL931-VL940, VN225-VN230, VN261-VN289, VN673-VN675, VN684-VN730, VN931-VN949, VR471-VR471, VS206-VS207 |
| 133 | 22 | PA | D10064 | 46 | | 73-21-11 | GDX0005 | D.. | 2 | | 2 | | VL806-VL810, VN290-VN290, VN950-VN950, VS066-VS070 |
| 133 | 22 | PA | D10064 | 46 | | 73-21-18 | GDX0005 | D.. | 2 | | 3 | | VN251-VN260 |
| 134 | 22 | PA | TB0182D | CAP | Y | 28-31-12 | D08028J | 16 | | | 2 | ZSZ-B6 | VN261-VN289, VN931-VN949 |
| 134 | 22 | PA | TB0182D | C020 | 2 | 28-31-12 | D08028J | 16 | | | 2 | | VN306, VN381-VN381, VN671-VN672 |
| 134 | 22 | PA | TB0182D | C020 | 2 | 28-31-12 | D08028J | 16 | | | 0 | | VF071-VF071, VF092-VF093, VF101-VF102, VF161-VF161, VL012-VL040, VN233-VN234, VN371-VN372, VN376-VN376, VN531-VN532, VN536-VN537, VN541-VN542, VN551-VN551, VN631-VN633, VN681-VN683 |
| 134 | 22 | PA | TB0182D | C020 | 2 | SEARE | D08028J | 16 | | | 2 | | VF072-VF072 |
| 134 | 22 | PA | TB0182D | CAP | Y | 28-31-12 | D08028J | 16 | | | 2 | | VK161-VK170 |
| 134 | 22 | PA | TB0182D | CAP | Y | 28-31-12 | D08028J | 16 | | | 2 | | VN016-VN019, VN471-VN472, VN491-VN496 |

286T1114-101
Wire Bundle Assembly
Figure 117 (Sheet 80)

25-71-01

| WIRE | | FROM EQUIPMENT | | | TO EQUIPMENT | | | WIRE INFO | | | | |
|--------|--------|----------------|--------|----|--------------|---------|------|-----------|---------|----|-------|--|
| NUMBER | CA TYP | NUMBER | TERM | TT | WDM REF | NUMBER | TERM | TT | EMC/SEP | FT | NOTES | EFFECTIVITY |
| 201B | 22 | PB | D02674 | 18 | 27-51-31 | TB0158F | A019 | 2 | | 4 | | VA001-VA020, VA301-VA315, VA501-VA510, VA701-VA710, VA801-VA810, VB001-VB002, VB051-VB054, VB101-VB111, VB201-VB202, VB251-VB253, VB281-VB284, VB301-VB301, VB321-VB322, VE001-VE002, VE021-VE022 |
| 201B | 24 | PL | D02674 | 18 | 27-51-31 | TB0158F | A019 | 2 | | 4 | | VA021-VA300, VA316-VA500, VA511-VA700, VA711-VA800, VA811-VA999, VB003-VB050, VB055-VB100, VB112-VB200, VB203-VB250, VB254-VB280, VB285-VB300, VB302-VB320, VB323-VB410, VB421-VD999, VE003-VE020, VE023-VE180, VF001-VF010, VF021-VF110, VF161-VF180, VK001-VK019, VK021-VK080, VK131-VK140, VK161-VK179, VL001-VL040, VL751-VL790, VL796-VL805, VL891-VL909, VL911-VL929, VL931-VL940, VN001-VN050, VN171-VN189, VN211-VN289, VN301-VN340, VN371-VN529, VN531-VN650, VN671-VN675, VN681-VN730, VN791-VN810, VN921-VN949, VN951-206-VS207 |
| 201B | 24 | PL | D02674 | 18 | 27-51-31 | TB0158F | A019 | 2 | | 3 | | VF251-VF260, VK020-VK020, VK180-VK190, VL806-VL810, VL871-VL880, VL910-VL910, VL930-VL930, VN190-VN190, VN290-VN290, VN530-VN530, VN950-VN950, VN960-VN960, VN968-VN970, VR421-VR421, VR461-VR461, VS051-VS052, VS061-VS061, VS066-VS070, VS073-VS073, VS091-VS094, VS131-VS132, VS176-VS177, VS261-VS262, VS266-VS268 |
| 201R | 22 | PB | D02674 | 17 | 27-51-31 | TB0158F | C019 | 2 | | | | VA001-VA020, VA301-VA315, VA501-VA510, VA701-VA710, VA801-VA810, VB001-VB002, VB051-VB054, VB101-VB111, VB201-VB202, VB251-VB253, VB281-VB284, VB301-VB301, VB321-VB322, VE001-VE002, VE021-VE022 |

 286T1114-101
 Wire Bundle Assembly
 Figure 117 (Sheet 81)

25-71-01

 TESTING & FAULT ISOLATION
 01
 Page 152X
 Nov 01/02



BOEING
COMPONENT
MAINTENANCE MANUAL

| WIRE | | FROM EQUIPMENT | | | TO EQUIPMENT | | | WIRE INFO | | | |
|--------|--------|----------------|---------|----------|--------------|---------|---------|-----------|-------|--|--|
| NUMBER | GA TYP | NUMBER | TERM TT | WDM REF | NUMBER | TERM TT | EMC/SEP | FT | NOTES | EFFECTIVITY | |
| 201R | 24 PL | D02674 | 17 | 27-51-31 | TB0158F | C019 2 | | | | VA021-VA300, VA316-VA500, VA511-VA700, VA711-VA800, VA811-VA999, VB003-VB050, VB055-VB100, VB112-VB200, VB203-VB250, VB254-VB280, VB285-VB300, VB302-VB320, VB323-VB410, VB421-VD999, VE003-VE020, VE023-VE180, VF001-VF010, VF021-VF110, VF161-VF180, VF251-VF260 VK001-VK080, VK131-VK140, VK161-VK190, VL001-VL040, VL751-VL790, VL796-VL810, VL871-VL880, VL891-VL940, VN001-VN050, VN171-VN190, VN211-VN290, VN301-VN340, VN371-VN650, VN671-VN675, VN681-VN730, VN791-VN810, VN921-VN960, VN966-VN990, VR421-VR421, VR461-073-VS073, VS091-VS094, VS131-VS132, VS176-VS177, VS196-VS199, VS206-VS207, VS261-VS262, VS266-VS268 | |
| 202B | 22 PB | D02674 | 9 | 27-58-21 | D08028J | 9 | | 4 | | VA001-VB410, VB421-VE180, VF001-VF010, VF021-VF110, VF161-VF180, VK001-VK019, VK021-VK080, VK131-VK140, VK161-VK179, VL001-VL040, VL751-VL790, VL796-VL805, VL891-VL909, VL911-VL929, VL931-VL940, VN001-VN050, VN171-VN189, VN211-VN289, VN301-VN340, VN371-VN529, VN531-VN650, VN671-VN675, VN681-VN730, VN791-VN810, VN921-VN949, VN951-VN959, VN966-VN967, VN971-VN990, VR471-VR471, VS196-VS199, VS206-VS207 | |
| 202B | 22 PB | D02674 | 9 | 27-58-21 | D08028J | 9 | | 2 | | VF251-VF260, VK020-VK020, VK180-VK190, VL806-VL810, VL871-VL880, VL910-VL910, VL930-VL930, VN190-VN190, VN290-VN290, VN530-VN530, VN950-VN950, VN960-VN960, VN968-VN970, VR421-VR421, VR461-VR461, VS051-VS052, VS061-VS061, VS066-VS070, VS073-VS073, VS091-VS094 VS131-VS132, VS176-VS177, VS261-VS262, VS266-VS268 | |
| 202R | 22 PB | D02674 | 10 | 27-58-21 | D08028J | 10 | | | | | |

286T1114-101
Wire Bundle Assembly
Figure 117 (Sheet 82)

25-71-01

TESTING & FAULT ISOLATION
01 Page 152Y
Nov 01/02

| WIRE | | FROM EQUIPMENT | | | TO EQUIPMENT | | | WIRE INFO | | | | | |
|--------|----|----------------|--------|------|--------------|----------|---------|-----------|----|---------|----|-------|---|
| NUMBER | GA | TYP | NUMBER | TERM | TT | WDM REF | NUMBER | TERM | TT | EMC/SEP | FT | NOTES | EFFECTIVITY |
| 205B | 22 | PB | D02674 | 35 | | 27-58-21 | D08028J | 11 | | | 4 | | VA001-VB410, VB421-VE180, VF001-VF010, VF021-VF110, VF161-VF180, VK001-VK019, VK021-VK080, VK131-VL140, VK161-VK179, VL001-VL040, VL751-VL790, VL796-VL805, VL891-VL909, VL911-VL929, VL931-VL940, VN001-VN050, VN171-VN189, VN211-VN289, VN301-VN340, VN371-VN529, VN531-VN650, VN671-VN675, VN681-VN730, VN791-VN810, VN921-VN949, VN951-VN959, VN966-VN967, VN971-VN990, VR471-VR471, VS196-VS199, VS206-VS207 |
| 205B | 22 | PB | D02674 | 35 | | 27-58-21 | D08028J | 11 | | | 2 | | VF251-VF260, VK020-VK020, VK180-VK190, VL806-VL810, VL871-VL880, VL910-VL910, VL930-VL930, VN190-VN190, VN290-VN290, VN530-VN530, VN950-VN950, VN960-VN960, VN968-VN970, VR421-VR421, VR461-VR461, VS051-VS052, VS061-VS061, VS066-VS070, VS073-VS073, VS091-VS094, VS131-VS132, VS176-VS177, VS261-VS262, VS266-VS268 |
| 205R | 22 | PB | D02674 | 31 | | 27-58-21 | D08028J | 12 | | | 4 | | VA001-VB410, VB421-VE180, VF001-VF010, VF021-VF110, VF161-VF180, VK001-VK019, VK021-VK080, VK131-VK140, VK161-VK179, VL001-VL040, VL751-VL790, VL796-VL805, VL891-VL909, VL911-VL929, VL931-VL940, VN001-VN050, VN171-VN189, VN211-VN289, VN301-VN340, VN371-VN529, VN531-VN650, VN671-VN675, VN681-VN730, VN791-VN810, VN921-VN949, VN951-VN959, VN966-VN967, VN971-VN990, VR471-VR471, VS196-VS199, VS206-VS207 |
| 206B | 24 | PW | D02246 | 21 | | 29-11-32 | D08036J | 10 | | | | | VF251-VF260, VK020-VK020, VK180-VK190, VL806-VL810, VL871-VL880, VL910-VL910, VL930-VL930, VN190-VN190, VN290-VN290, VN530-VN530, VN950-VN950, VN960-VN960, VN968-VN970, VR421-VR421, VR461-VR461, VS051-VS052, VS061-VS061, VS066-VS070, VS073-VS073, VS091-VS094, VS131-VS132, VS176-VS177, VS261-VS262, VS266-VS268 |
| 206B | 24 | PW | D02246 | 21 | | 29-11-32 | D08036J | 10 | | | 2 | | VF251-VF260, VK020-VK020, VK180-VK190, VL806-VL810, VL871-VL880, VL910-VL910, VL930-VL930, VN190-VN190, VN290-VN290, VN530-VN530, VN950-VN950, VN960-VN960, VN968-VN970, VR421-VR421, VR461-VR461, VS051-VS052, VS061-VS061, VS066-VS070, VS073-VS073, VS091-VS094, VS131-VS132, VS176-VS177, VS261-VS262, VS266-VS268 |
| 206R | 24 | PW | D02246 | 20 | | 29-11-32 | D08036J | 9 | | | | | VF251-VF260, VK020-VK020, VK180-VK190, VL806-VL810, VL871-VL880, VL910-VL910, VL930-VL930, VN190-VN190, VN290-VN290, VN530-VN530, VN950-VN950, VN960-VN960, VN968-VN970, VR421-VR421, VR461-VR461, VS051-VS052, VS061-VS061, VS066-VS070, VS073-VS073, VS091-VS094, VS131-VS132, VS176-VS177, VS261-VS262, VS266-VS268 |
| 206Z | | | D02246 | | | 29-11-32 | D08036J | 2 | | | | | VF251-VF260, VK020-VK020, VK180-VK190, VL806-VL810, VL871-VL880, VL910-VL910, VL930-VL930, VN190-VN190, VN290-VN290, VN530-VN530, VN950-VN950, VN960-VN960, VN968-VN970, VR421-VR421, VR461-VR461, VS051-VS052, VS061-VS061, VS066-VS070, VS073-VS073, VS091-VS094, VS131-VS132, VS176-VS177, VS261-VS262, VS266-VS268 |

286T1114-101
Wire Bundle Assembly
Figure 117 (Sheet 83)

25-71-01



BOEING
COMPONENT
MAINTENANCE MANUAL

| WIRES | | FROM EQUIPMENT | | | TO EQUIPMENT | | | WIRE INFO | | | | | |
|--------|----|----------------|--------|------|--------------|----------|---------|-----------|----|---------|----|-------|---|
| NUMBER | GA | TYP | NUMBER | TERM | TT | WDM REF | NUMBER | TERM | TT | EMC/SEP | FT | NOTES | EFFECTIVITY |
| 207B | 24 | PL | D02674 | 21 | | 27-32-11 | D04885J | 3 | | | 4 | | VA001-VB410, VB421-VE180, VF001-VF010, VF021-VF110, VF161-VF180, VK001-VK019, VK021-VK080, VK131-VK140, VK161-VK179, VL001-VL040, VL751-VL790, VL796-VL805, VL891-VL909, VL911-VL929, VL931-VL940, VN001-VN050, VN171-VN189, VN211-VN289, VN301-VN340, VN371-VN529, VN531-VN650, VN671-VN675, VN681-VN730, VN791-VN810, VN921-VN949, VN951-VN959, VN966-VN967, VN971-VN990, VR471-VR471, VS196-VS199, VS206-VS207 |
| 207B | 24 | PL | D02674 | 21 | | 27-32-11 | D04885J | 3 | | | 2 | | VF251-VF260, VK020-VK020, VK180-VK190, VL806-VL810, VL871-VL880, VL910-VL910, VL930-VL930, VN190-VN190, VN290-VN290, VN530-VN530, VN950-VN950, VN960-VN960, VN968-VN970, VR421-VR421, VR461-VR461, VS051-VS052, VS061-VS061, VS066-VS070, VS073-VS073, VS091-VS094 VS131-VS132, VS176-VS177, VS261-VS262, VS266-VS268 |
| 207R | 24 | PL | D02674 | 19 | | 27-32-11 | D04885J | 2 | | | 4 | | VA001-VA300, VA701-VB050, VB201-VB250, VB281-VB320, VB371-VB400, VB421-VB440, VB451-VE084, VK001-VK011, VK021-VK030 |
| 211B | 24 | FW | D10064 | 9 | | 77-12-12 | TB0182X | A007 | BJ | | 4 | | VA301-VA700, VB051-VB200, VB251-VB280, VB321-VB330, VB401-VB410, VE101-VE120, VK031-VK054 |
| 211B | 24 | FW | D10064 | 13 | | 77-12-12 | TB0182X | B007 | BJ | | 4 | | VB331-VB370, VB441-VB450, VE121-VE170, VF001-VF010, VF021-VF060, VF171-VF180, VK012-VK019, VK131-VK140, VL001-VL010, VL751-VL790, VL891-VL909, VL911-VL929, VN001-VN050, VN231-VN240, VN301-VN340, VN421-VN490, VN546-VN550, VN634-VN650, VN791-VN810, VN921-VN930 VN951-VN959, VS196-VS199 |

286T1114-101
Wire Bundle Assembly
Figure 117 (Sheet 84)

25-71-01

TESTING & FAULT ISOLATION
01

Page 153
Nov 01/02

| WIRE | | FROM EQUIPMENT | | | TO EQUIPMENT | | | WIRE INFO | | | | | |
|--------|----|----------------|---------|------|--------------|----------|---------|-----------|----|-------------|----|-------|--|
| NUMBER | GA | TYP | NUMBER | TERM | TT | WDM REF | NUMBER | TERM | TT | EMC/ SEP | FT | NOTES | EFFECTIVITY |
| 211B | 24 | PW | D10064 | 13 | | 77-12-12 | TB0182Y | C018 | BJ | | 4 | | VE085-VE100, VE171-VE180, VF061-VF110, VF161-VF170, VK055-VK080, VK161-VK179, VL011-VL040, VL796-VL805, VL931-VL940, VN171-VN189, VN211-VN220, VN223-VN230, VN241-VN289, VN371-VN420, VN491-VN529, VN531-VN545, VN551-VN633, VN671-VN675, VN681-VN730, VN931-VN949, VN966-VN967, VN971-VN990, VR471-VR471, VS206-VS207 |
| 211B | 24 | PW | D10064 | 13 | | 77-12-12 | TB0182X | B007 | BJ | | 3 | | VF251-VF260, VK020-VK020, VK181-VK181, VL910-VL910, VL930-VL930, VN960-VN960, VN968-VN970, VR461-VR461, VS051-VS052, VS073-VS073, VS131-VS132, VS176-VS177, VS261-VS262, VS266-VS268 |
| 211B | 24 | PW | D10064 | 13 | | 77-12-12 | TB0182Y | C018 | BJ | | 3 | | VK180-VK180, VL806-VL810, VN190-VN190, VN290-VN290, VN530-VN530, VN950-VN950, VR421-VR421, VS061-VS061, VS066-VS070, VS091-VS094 |
| 211B | 24 | PW | D13600 | 13 | | 77-12-13 | TB0182X | C018 | BJ | | 3 | | VL871-VL880 |
| 211B | 24 | PW | D10064 | 13 | | 77-12-12 | TB0158Y | C026 | BJ | | 4 | | VN221-VN222 |
| 211F | 20 | UA | D10064 | | | 77-12-12 | GDX0004 | S.. | 2 | | 3 | | VE085-VE086, VF061-VF061, VL011-VL040, VN171-VN173, VN211-VN212, VN241-VN241 |
| 211F | 20 | UA | TB0182Y | A017 | BJ | 77-12-12 | GDX0001 | S.. | 2 | | 3 | | VE087-VE100, VE171-VE180, VF062-VF110, VF161-VF170, VK055-VK080, VK161-VK179, VL796-VL805, VL931-VL940, VN174-VN189, VN213-VN220, VN242-VN289, VN371-VN420, VN531-VN545, VN551-VN633, VN671-VN675, VN681-VN730, VN931-VN949, VR471-VR471, VS206-VS207 |
| 211F | 20 | UA | TB0182Y | A017 | BJ | 77-12-12 | GDX0001 | S.. | 2 | | 1 | | VK180-VK180, VL806-VL810, VN190-VN190, VN290-VN290, VN530-VN530, VN950-VN950, VR421-VR421, VS061-VS061, VS066-VS070, VS091-VS094 |
| 211F | 20 | UA | D13600 | | | 77-12-13 | GDX0004 | S.. | 2 | | 2 | | VL871-VL880 |
| 211F | 20 | UA | TB0158Z | 28 | BJ | 77-12-12 | GDX0001 | S.. | 2 | | 2 | | VN221-VN222 |
| 211F | 20 | UA | TB0182Y | A017 | BJ | 77-12-12 | GDX0001 | S.. | 2 | | 2 | | VN223-VN230, VN491-VN529, VN966-VN967, VN971-VN990 |
| 211R | 24 | PL | D10064 | 13 | | 77-12-12 | TB0182X | B007 | BJ | | | | VA001-VA300, VA701-VB050, VB201-VB250, VB281-VB320, VB371-VB400, VB421-VB440, VB451-VB084, VK001-VK011, VK021-VK030 |

286T1114-101
Wire Bundle Assembly
Figure 117 (Sheet 85)

25-71-01



BOEING
COMPONENT
MAINTENANCE MANUAL

| WIRE | | FROM EQUIPMENT | | | TO EQUIPMENT | | | WIRE INFO | | |
|--------|--------|----------------|---------|----------|--------------|---------|---------|-----------|-------|--|
| NUMBER | CA TYP | NUMBER | TERM TT | WDM REF | NUMBER | TERM TT | EMC/SEP | FT | NOTES | EFFECTIVITY |
| 211R | 24 PW | D10064 | 13 | 77-12-12 | TB0182X | B007 BJ | | | | VA301-VA700, VE051-VB200, VE251-VB280, VB321-VB330, VB401-VB410, VE101-VE120, VK031-VK054 |
| 211R | 24 PW | D10064 | 9 | 77-12-12 | TB0182X | A007 BJ | | | | VB331-VB370, VB441-VB450, VE121-VE170, VF001-VF010, VF021-VF060, VF171-VF180, VF251-VF260, VK012-VK020, VK131-VK140, VK181-VK190, VL001-VL010, VL751-VL790, VL891-VL930, VN001-VN050, VN231-VN240, VN301-VN340, VN421-VN490, VN546-VN550, VN634-VN650, VN791-VN810, VN921-VN930, VN951-VN960, VN968-VN970, VR461-VR461, VS051-VS052, VS073-VS073, VS131-VS132, VS176-VS177, VS196-VS199, VS261-VS262, VS266-VS268 |
| 211R | 24 PW | D10064 | 9 | 77-12-12 | TB0182Y | A018 BJ | | | | VE085-VE100, VE171-VE180, VF061-VF110, VF161-VF170, VK055-VK080, VK161-VK180, VL011-VL040, VL796-VL810, VL931-VL940, VN171-VN190, VN211-VN220, VN223-VN230, VN241-VN290, VN371-VN420, VN491-VN545, VN551-VN633, VN671-VN675, VN681-VN730, VN931-VN950, VN966-VN967, VN971-VN990, VR421-VR421, VR471-VR471, VS061-VS061, VS066-VS070, VS091-VS094, VS206-VS207 |
| 211R | 24 PW | D13600 | 9 | 77-12-13 | TB0182X | B018 BJ | | | | VL871-VL880 |
| 211R | 24 PW | D10064 | 9 | 77-12-12 | TB0158Y | A026 BJ | | | | VN221-VN222 |
| 211Z | 24 PW | D10064 | | 77-12-12 | TB0182X | D008 BJ | | | | VA301-VA700, VB051-VB200, VB251-VB280, VB321-VB370, VB401-VB410, VB441-VB450, VE101-VE170, VF001-VF010, VF021-VF060, VF171-VF180, VF251-VF260, VK012-VK020, VK031-VK054, VK131-VK140, VK181-VK190, VL001-VL010, VL751-VL790, VL891-VL930, VN001-VN050, VN231-VN240, VN301-VN340, VN421-VN490, VN546-VN550, VN634-VN650, VN791-VN810, VN921-VN930, VN951-VN960, VN968-VN970, VR461-VR461, VS051-VS052, VS131-VS132, VS176-VS177, VS196-VS199, VS261-VS262 |
| 211Z | | TB0182Y | A017 BJ | 77-12-12 | D10064 | | | | | VE085-VE086, VF061-VF061, VL011-VL040, VN171-VN173, VN211-VN212, VN241-VN241 |

286T1114-101
Wire Bundle Assembly
Figure 117 (Sheet 86)

25-71-01

| WIRE | | FROM EQUIPMENT | | | TO EQUIPMENT | | | WIRE INFO | | | | | |
|--------|----|----------------|---------|------|--------------|----------|---------|-----------|----|---------|----|-------|--|
| NUMBER | GA | TYP | NUMBER | TERM | TT | WDM REF | NUMBER | TERM | TT | EMC/SEP | FT | NOTES | EFFECTIVITY |
| 211Z | | | TB0182Y | REF | | 77-12-12 | D10064 | DED | | | | | VE087-VE100, VE171-VE180, VF062-VF070, VF091-VF110, VF161-VF170, VK161-VK170, VL796-VL810, VN174-VN190, VN213-VN220, VN242-VN290, VN371-VN420, VN491-VN545, VN551-VN633, VS061-VS061, VS066-VS070, VS091-VS094 |
| 211Z | | | TB0182Y | REF | | 77-12-12 | D10064 | DED | | | | | VF071-VF090 |
| 211Z | | | D10064 | DED | | 77-12-12 | TB0182Y | REF | | | | | VK055-VK080, VK171-VK180, VL931-VL940, VN223-VN230, VN671-VN675, VN681-VN730, VN931-VN950, VN966-VN967, VN971-VN990, VR421-VR421, VR471-VR471, VS206-VS207 |
| 211Z | | | TB0182X | A018 | BJ | 77-12-13 | D13600 | | | | | | VL871-VL880 |
| 211Z | | | D10064 | DED | | 77-12-12 | TB0158Z | 28 | BJ | | | | VN221-VN222 |
| 211Z | | | TB0182X | D008 | BJ | 77-12-12 | D10064 | | | | | | VS073-VS073, VS266-VS268 |
| 212B | 24 | PL | D10064 | 21 | | 77-12-12 | TB0248X | A016 | BJ | | 4 | | VA001-VA300, VA701-VB050, VB201-VB250, VB281-VB320, VB371-VB400, VB421-VB440, VB451-VB084, VK001-VK011, VK021-VK030 |
| 212B | 24 | PW | D10064 | 21 | | 77-12-12 | TB0248X | A016 | BJ | | 4 | | VA301-VA700, VB051-VB200, VB251-VB280, VB321-VB330, VB401-VB410, VE101-VE120, VK031-VK054 |
| 212B | 24 | PW | D10064 | 20 | | 77-12-12 | TB0248X | B016 | BJ | | 4 | | VB331-VB370, VB441-VB450, VE121-VE170, VF001-VF010, VF021-VF060, VF171-VF180, VK012-VK019, VK131-VK140, VL001-VL010, VL751-VL790, VL891-VL909, VL911-VL929, VN001-VN050, VN231-VN240, VN301-VN340, VN421-VN490, VN546-VN550, VN634-VN650, VN791-VN810, VN921-VN930, VN951-VN959, VS196-VS199 |
| 212B | 24 | PW | D10064 | 20 | | 77-12-12 | TB0182Y | C018 | BJ | | 4 | | VE085-VE100, VE171-VE180, VF061-VF110, VF161-VF170, VK055-VK080, VK161-VK179, VL011-VL040, VL796-VL805, VL931-VL940, VN171-VN189, VN211-VN220, VN223-VN230, VN241-VN289, VN371-VN420, VN491-VN529, VN531-VN545, VN551-VN633, VN671-VN675, VN681-VN730, VN931-VN949, VN966-VN967, VN971-VN990, VR471-VR471, VS206-VS207 |

286T1114-101
Wire Bundle Assembly
Figure 117 (Sheet 87)

25-71-01



BOEING
COMPONENT
MAINTENANCE MANUAL

| WIRE | | FROM EQUIPMENT | | | TO EQUIPMENT | | | WIRE INFO | | | | | |
|--------|----|----------------|--------|------|--------------|----------|---------|-----------|----|---------|----|-------|---|
| NUMBER | GA | TYP | NUMBER | TERM | TT | WDM REF | NUMBER | TERM | TT | EMC/SEP | FT | NOTES | EFFECTIVITY |
| 212B | 24 | PW | D10064 | 20 | | 77-12-12 | TB0248X | B016 | BJ | | 3 | | VF251-VF260, VK020-VK020, VK181-VK190, VL910-VL910, VL930-VL930, VN960-VN960, VN968-VN970, VR461-VR461, VS051-VS052, VS131-VS132, VS176-VS177, VS261-VS262 |
| 212B | 24 | PW | D10064 | 20 | | 77-12-12 | TB0182Y | C018 | BJ | | 3 | | VK180-VK180, VL806-VL810, VN190-VN190, VN290-VN290, VN530-VN530, VN950-VN950, VR421-VR421, VS061-VS061, VS066-VS070, VS091-VS094 |
| 212B | 24 | PW | D13600 | 20 | | 77-12-13 | TB0182X | C017 | BJ | | 3 | | VL871-VL880 |
| 212B | 24 | PW | D10064 | 20 | | 77-12-12 | TB0158Y | C026 | BJ | | 4 | | VN221-VN222 |
| 212B | 24 | PW | D10064 | 20 | | 77-12-12 | TB0248X | B016 | BJ | | 3 | | VS073-VS073, VS266-VS268 |
| 212R | 24 | PL | D10064 | 20 | | 77-12-12 | TB0248X | B016 | BJ | | 3 | | VA001-VA300, VA701-VB050, VE201-VB250, VE281-VB320, VB371-VB400, VB421-VB440, VB451-VE084, VK001-VK011, VK021-VK030 |
| 212R | 24 | PW | D10064 | 20 | | 77-12-12 | TB0248X | B016 | BJ | | | | VA301-VA700, VB051-VB200, VB251-VB280, VB321-VB330, VB401-VB410, VE101-VE120, VK031-VK054 |
| 212R | 24 | PW | D10064 | 21 | | 77-12-12 | TB0248X | A016 | BJ | | | | VB331-VB370, VB441-VB450, VE121-VE170, VF001-VF010, VF021-VF060, VF171-VF180, VF251-VF260, VK012-VK020, VK131-VK140, VK181-VK190, VL001-VL010, VL751-VL790, VL891-VL930, VN001-VN050, VN231-VN240, VN301-VN340, VN421-VN490, VN546-VN550, VN634-VN650, VN791-VN810, VN921-VN930, VN951-VN960, VN968-VN970, VR461-VR461, VS051-VS052, VS073-VS073, VS131-VS132, VS176-VS177, VS196-VS199, VS261-VS262, VS266-VS268 |
| 212R | 24 | PW | D10064 | 21 | | 77-12-12 | TB0182Y | A018 | BJ | | | | VE085-VE100, VE171-VE180, VF061-VF110, VF161-VF170, VK055-VK080, VK161-VK180, VL011-VL040, VL796-VL810, VL931-VL940, VN171-VN190, VN211-VN220, VN223-VN230, VN241-VN290, VN371-VN420, VN491-VN545, VN551-VN633, VN671-VN675, VN681-VN730, VN931-VN950, VN966-VN967, VN971-VN990, VR421-VR421, VR471-VR471, VS061-VS061, VS066-VS070, VS091-VS094, VS206-VS207 |
| 212R | 24 | PW | D13600 | 21 | | 77-12-13 | TB0182X | B017 | BJ | | | | VL871-VL880 |
| 212R | 24 | PW | D10064 | 21 | | 77-12-12 | TB0158Y | A026 | BJ | | | | VN221-VN222 |

286T1114-101
Wire Bundle Assembly
Figure 117 (Sheet 88)

25-71-01

| WIRE | | FROM EQUIPMENT | | | TO EQUIPMENT | | | WIRE INFO | | | | | |
|--------|----|----------------|---------|------|--------------|----------|---------|-----------|----|---------|----|-------|--|
| NUMBER | GA | TYP | NUMBER | TERM | TT | WDM REF | NUMBER | TERM | TT | EMC/SEP | FT | NOTES | EFFECTIVITY |
| 212Z | | | D10064 | | | 77-12-12 | TB0248X | C016 | BJ | | | | VA301-VA700, VB051-VB200, VB251-VB280, VB321-VB370, VB401-VB410, VB441-VB450, VE101-VE170, VF001-VF010, VF021-VF060, VF171-VF180, VF251-VF260, VK012-VK020, VK031-VK054, VK131-VK140, VK181-VK190, VL001-VL010, VL751-VL790, VL891-VL930, VN001-VN050, VN231-VN240, VN301-VN340, VN421-VN490, VN546-VN550, VN634-VN650, VN791-VN810, VN921-VN930, VN951-VN960, VN968-VN970, VR461-VR461, VS051-VS052, VS131-VS132, VS176-VS177, VS196-VS199, VS261-VS262 |
| 212Z | | | TB0182Y | A017 | BJ | 77-12-12 | D10064 | | | | | | VE085-VE086, VF061-VF061, VL011-VL040, VN171-VN173, VN211-VN212, VN241-VN241 |
| 212Z | | | TB0182Y | REF | | 77-12-12 | D10064 | DED | | | | | VE087-VE100, VE171-VE180, VF062-VF110, VF161-VF170, VK161-VK170, VL796-VL810, VN174-VN190, VN213-VN220, VN242-VN290, VN371-VN420, VN491-VN545, VN551-VN633, VS061-VS061, VS066-VS070, VS091-VS094 |
| 212Z | | | D10064 | DED | | 77-12-12 | TB0182Y | REF | | | | | VK055-VK080, VK171-VK180, VL931-VL940, VN223-VN230, VN671-VN675, VN681-VN730, VN931-VN950, VN966-VN967, VN971-VN990, VR421-VR421, VR471-VR471, VS206-VS207 |
| 212Z | | | TB0182X | A017 | BJ | 77-12-13 | D13600 | | | | | | VL871-VL880 |
| 212Z | | | D10064 | DED | | 77-12-12 | TB0158Z | 28 | BJ | | | | VN221-VN222 |
| 212Z | | | TB0248X | C016 | BJ | 77-12-12 | D10064 | | | | | | VS073-VS073, VS266-VS266 |
| 213B | 24 | PL | D10062 | 9 | | 77-12-12 | TB0182X | C007 | BJ | | 4 | | VA001-VA300, VA701-VB050, VB201-VB250, VB281-VB320, VB371-VB400, VB421-VB440, VB451-VE084, VK001-VK011, VK021-VK030 |
| 213B | 24 | FW | D10062 | 9 | | 77-12-12 | TB0182X | C007 | BJ | | 4 | | VA301-VA700, VB051-VB200, VB251-VB280, VB321-VB330, VB401-VB410, VE101-VE120, VK031-VK054 |
| 213B | 24 | FW | D10062 | 13 | | 77-12-12 | TB0182X | D007 | BJ | | 4 | | VB331-VB370, VB441-VB450, VE121-VE170, VF001-VF010, VF021-VF060, VF171-VF180, VK012-VK019, VK131-VK140, VL001-VL010, VL751-VL790, VL891-VL909, VL911-VL929, VN001-VN050, VN231-VN240, VN301-VN340, VN421-VN490, VN546-VN550, VN634-VN650, VN791-VN810, VN921-VN930, VN951-VN959, VS196-VS199 |

 286T1114-101
 Wire Bundle Assembly
 Figure 117 (Sheet 89)

25-71-01



BOEING
COMPONENT
MAINTENANCE MANUAL

| WIRE | | FROM EQUIPMENT | | | TO EQUIPMENT | | | WIRE INFO | | | | | |
|--------|----|----------------|---------|------|--------------|----------|---------|-----------|----|---------|----|-------|---|
| NUMBER | GA | TYP | NUMBER | TERM | TT | WDM REF | NUMBER | TERM | TT | EMC/SEP | FT | NOTES | EFFECTIVITY |
| 213B | 24 | PW | D10062 | 13 | | 77-12-12 | TB0182Y | C013 | BJ | | 4 | | VE085-VE100, VE171-VE180, VF061-VF110, VF161-VF170, VK055-VK080, VK161-VK179, VL011-VL040, VL796-VL805, VL931-VL940, VN171-VN189, VN211-VN220, VN223-VN230, VN241-VN289, VN371-VN420, VN491-VN529, VN531-VN545, VN551-VN633, VN671-VN675, VN681-VN730, VN931-VN949, VN966-VN967, VN971-VN990, VR471-VR471, VR471, VS206-VS207 |
| 213B | 24 | PW | D10062 | 13 | | 77-12-12 | TB0182X | D007 | BJ | | 3 | | VF251-VF260, VK020-VK020, VK181-VK190, VL910-VL910, VL930-VL930, VN960-VN960, VN968-VN970, VR461-VR461, VS051-VS052, VS073-VS073, VS131-VS132, VS176-VS177, VS261-VS262, VS266-VS268 |
| 213B | 24 | PW | D10062 | 13 | | 77-12-12 | TB0182Y | C013 | BJ | | 3 | | VK180-VK180, VL806-VL810, VN190-VN190, VN290-VN290, VN530-VN530, VN950-VN950, VR421-VR421, VS061-VS061, VS066-VS070, VS091-VS094 |
| 213B | 24 | PW | D13598 | 13 | | 77-12-13 | TB0182X | C014 | BJ | | 3 | | VL871-VL880 |
| 213B | 24 | PW | D10062 | 13 | | 77-12-12 | TB0158Y | C025 | BJ | | 4 | | VN221-VN222 |
| 213F | 20 | UA | D10062 | | | 77-12-12 | GDX0004 | S.. | 2 | | 3 | | VE085-VE086, VF061-VF061, VL011-VL040, VN171-VN173, VN211-VN212, VN241-VN241 |
| 213F | 20 | UA | TB0182Y | A014 | BJ | 77-12-12 | GDX0002 | S.. | 2 | | 3 | | VE087-VE100, VE171-VE180, VF062-VF110, VF161-VF170, VK161-VK170, VL796-VL805, VN174-VN189, VN213-VN220, VN242-VN289, VN371-VN420, VN531-VN545, VN551-VN633, VN671-VN675 |
| 213F | 20 | UA | TB0182Y | A014 | BJ | 77-12-12 | GDX0002 | S.. | 2 | | 2 | | VK055-VK080, VK171-VK179, VL931-VL940, VN223-VN230, VN491-VN529, VN681-VN730, VN931-VN949, VN966-VN967, VN971-VN990, VR471-VR471, VS206-VS207 |
| 213F | 20 | UA | TB0182Y | A014 | BJ | 77-12-12 | GDX0002 | S.. | 2 | | 1 | | VK180-VK180, VL806-VL810, VN190-VN190, VN290-VN290, VN530-VN530, VN950-VN950, VR421-VR421, VS061-VS061, VS066-VS070, VS091-VS094 |
| 213F | 20 | UA | D13598 | | | 77-12-13 | GDX0004 | S.. | 2 | | 2 | | VL871-VL880 |
| 213F | 20 | UA | TB0158Z | 27 | BJ | 77-12-12 | GDX0002 | S.. | 2 | | 2 | | VN221-VN222 |
| 213R | 24 | PL | D10062 | 13 | | 77-12-12 | TB0182X | D007 | BJ | | | | VA001-VA300, VA701-VB050, VB201-VB250, VB281-VB320, VB371-VB400, VB421-VB440, VB451-VE084, VK001-VK011, VK021-VK030 |

286T1114-101
Wire Bundle Assembly
Figure 117 (Sheet 90)

25-71-01

| WIRE | | FROM EQUIPMENT | | | TO EQUIPMENT | | | WIRE INFO | | | | | |
|--------|----|----------------|---------|------|--------------|----------|---------|-----------|----|---------|----|-------|--|
| NUMBER | GA | TYP | NUMBER | TERM | TT | WDM REF | NUMBER | TERM | TT | EMC/SEP | FT | NOTES | EFFECTIVITY |
| 213R | 24 | PW | D10062 | 13 | | 77-12-12 | TB0182X | D007 | BJ | | | | VA301-VA700, VB051-VB200, VB251-VB280, VB321-VB330, VB401-VB410, VE101-VE120, VK031-VK054 |
| 213R | 24 | PW | D10062 | 9 | | 77-12-12 | TB0182X | C007 | BJ | | | | VB331-VB370, VB441-VB450, VE121-VE170, VF001-VF010, VF021-VF060, VF171-VF180, VF251-VF260, VL751-VK020, VK131-VK140, VK181-VK190, VL001-VL010, VL751-VL790, VL891-VL930, VN001-VN050, VN231-VN240, VN301-VN340, VN421-VN490, VN546-VN550, VN634-VN650, VN791-VN810, VN921-VN930, VN951-VN960, VN968-VN970, VR461-VR461, VS051-VS052, VS073-VS073, VS131-VS132, VS176-VS177, VS196-VS199, VS261-VS262, VS266-VS268 |
| 213R | 24 | PW | D10062 | 9 | | 77-12-12 | TB0182Y | A013 | BJ | | | | VE085-VE100, VE171-VE180, VF061-VF110, VF161-VF170, VK035-VK080, VK161-VK180, VL011-VL040, VL796-VL810, VL931-VL940, VN171-VN190, VN211-VN220, VN223-VN230, VN241-VN290, VN371-VN420, VN491-VN545, VN551-VN633, VN671-VN675, VN681-VN730, VN931-VN950, VN966-VN967, VN971-VN990, VR421-VR421, VR471-VR471, VS061-VS061, VS066-VS070, VS091-VS094, VS206-VS207 |
| 213R | 24 | PW | D13598 | 9 | | 77-12-13 | TB0182X | B014 | BJ | | | | VL871-VL880 |
| 213R | 24 | PW | D10062 | 9 | | 77-12-12 | TB0158Y | A025 | BJ | | | | VN221-VN222 |
| 213Z | | | D10062 | | | 77-12-12 | TB0182X | C008 | BJ | | | | VA301-VA700, VB051-VB200, VB251-VB280, VB321-VB370, VB401-VB410, VB441-VB450, VE101-VE170, VF001-VF010, VF021-VF060, VF171-VF180, VF251-VF260, VK012-VK020, VK031-VK054, VK131-VK140, VK181-VK190, VL001-VL010, VL751-VL790, VL891-VL930, VN001-VN050, VN231-VN240, VN301-VN340, VN421-VN490, VN546-VN550, VN634-VN650, VN791-VN810, VN921-VN930, VN951-VN960, VN968-VN970, VR461-VR461, VS051-VS052, VS131-VS132, VS176-VS177, VS196-VS199, VS261-VS262 |
| 213Z | | | TB0182Y | A014 | BJ | 77-12-12 | D10062 | | | | | | VE085-VE086, VF061-VF061, VL011-VL040, VN171-VN173, VN231-VN212, VN241-VN241 |

 286T1114-101
 Wire Bundle Assembly
 Figure 117 (Sheet 91)

25-71-01



BOEING
COMPONENT
MAINTENANCE MANUAL

| WIRE | | FROM EQUIPMENT | | | TO EQUIPMENT | | | WIRE INFO | | |
|--------|--------|----------------|---------|----------|--------------|---------|----------|-----------|-------|--|
| NUMBER | GA TYP | NUMBER | TERM TT | WDM REF | NUMBER | TERM TT | EMC/ SEP | FT | NOTES | EFFECTIVITY |
| 213Z | | TB0182Y | REF | 77-12-12 | D10062 | DED | | | | VE087-VE100, VE171-VE180, VF062-VF110, VF161-VF170, VK161-VK170, VL796-VL810, VN174-VN190, VN213-VN220, VN242-VN290, VN371-VN420, VN491-VN545, VN551-VN633, VS061-VS061, VS066-VS070, VS091-VS094 |
| 213Z | | D10062 | DED | 77-12-12 | TB0182Y | REF | | | | VK055-VK080, VK171-VK180, VL931-VL940, VN223-VN230, VN671-VN675, VN681-VN730, VN931-VN950, VN966-VN967, VN971-VN990, VR421-VR421, VR471-VR471, VS206-VS207 |
| 213Z | | TB0182X | A014 BJ | 77-12-13 | D13598 | | | | | VL871-VL880 |
| 213Z | | D10062 | DED | 77-12-12 | TB0158Z | 27 BJ | | | | VN221-VN222 |
| 213Z | | TB0182X | C008 BJ | 77-12-12 | D10062 | | | 4 | | VS073-VS073, VS266-VS268 |
| 214B | 24 PL | D10062 | 21 | 77-12-12 | TB0248X | C016 BJ | | | | VA001-VA300, VA701-VB050, VB201-VB250, VB281-VB320, VB371-VB400, VB421-VB440, VB451-VE084, VK001-VK011, VK021-VK030 |
| 214B | 24 PW | D10062 | 21 | 77-12-12 | TB0248X | B005 BJ | | 4 | | VA301-VA700, VB051-VB200, VB251-VB280, VB321-VB330, VB401-VB410, VE101-VE120, VK031-VK054 |
| 214B | 24 PW | D10062 | 20 | 77-12-12 | TB0248X | C005 BJ | | 4 | | VB331-VB370, VB441-VB450, VE121-VE170, VF001-VF010, VF021-VF060, VF171-VF180, VK012-VK019, VK131-VK140, VL001-VL010, VL751-VL790, VL891-VL909, VL911-VL929, VN001-VN050, VN231-VN240, VN301-VN340, VN421-VN490, VN546-VN550, VN634-VN650, VN791-VN810, VN921-VN930, VN951-VN959, VS196-VS199 |
| 214B | 24 PW | D10062 | 20 | 77-12-12 | TB0182Y | C013 BJ | | 4 | | VE085-VE100, VE171-VE180, VF061-VF110, VF161-VF170, VK055-VK080, VK161-VK179, VL011-VL040, VL796-VL805, VL931-VL940, VN171-VN189, VN211-VN220, VN223-VN230, VN241-VN289, VN371-VN420, VN491-VN529, VN531-VN545, VN551-VN633, VN671-VN675, VN681-VN730, VN931-VN949, VN966-VN967, VN971-VN990, VR471-VR471, VS206-VS207 |
| 214B | 24 PW | D10062 | 20 | 77-12-12 | TB0248X | C005 BJ | | 3 | | VF251-VF260, VK020-VK020, VK181-VK190, VL910-VL910, VL930-VL930, VN960-VN960, VN968-VN970, VR461-VR461, VS051-VS052, VS131-VS132, VS176-VS177, VS261-VS262 |

286T1114-101
Wire Bundle Assembly
Figure 117 (Sheet 92)

25-71-01

| WIRE | | FROM EQUIPMENT | | | TO EQUIPMENT | | | WIRE INFO | | | | | |
|--------|----|----------------|--------|------|--------------|----------|---------|-----------|----|---------|----|-------|---|
| NUMBER | GA | TYP | NUMBER | TERM | TT | WDM REF | NUMBER | TERM | TT | EMC/SEP | FT | NOTES | EFFECTIVITY |
| 214B | 24 | PW | D10062 | 20 | | 77-12-12 | TB0182Y | C013 | BJ | | 3 | | VK180-VK180, VL806-VL810, VN190-VN190, VN290-VN290, VN530-VN530, VN950-VN950, VR421-VR421, VS061-VS061, VS066-VS070, VS091-VS094 |
| 214B | 24 | PW | D13598 | 20 | | 77-12-13 | TB0182X | C013 | BJ | | 3 | | VL871-VL880 |
| 214B | 24 | PW | D10062 | 20 | | 77-12-12 | TB0158Y | C025 | BJ | | 4 | | VN221-VN222 |
| 214B | 24 | PW | D10062 | 20 | | 77-12-12 | TB0248X | C005 | BJ | | 3 | | VS073-VS073, VS266-VS268 |
| 214R | 24 | PL | D10062 | 20 | | 77-12-12 | TB0248X | D016 | BJ | | | | VA001-VA300, VA701-VB050, VB201-VB250, VB281-VB320, VB371-VB400, VB421-VB440, VB451-VE084, VK001-VK011, VK021-VK030 |
| 214R | 24 | PW | D10062 | 20 | | 77-12-12 | TB0248X | C005 | BJ | | | | VA301-VA700, VB051-VB200, VB251-VB280, VB321-VB330, VB401-VB410, VE101-VE120, VK031-VK054 |
| 214R | 24 | PW | D10062 | 21 | | 77-12-12 | TB0248X | B005 | BJ | | | | VB331-VB370, VB441-VB450, VE121-VE170, VF001-VF010, VF021-VF060, VF171-VF180, VF251-VF260, VK012-VK020, VK131-VK140, VK181-VK190, VL001-VL010, VL751-VL790, VL891-VL930, VN001-VN050, VN231-VN240, VN301-VN340, VN421-VN490, VN546-VN550, VN634-VN650, VN791-VN810, VN921-VN930, VN951-VN960, VN968-VN970, VR461-VR461, VS051-VS052, VS073-VS073, VS131-VS132, VS176-VS177, VS196-VS199, VS261-VS262, VS266-VS268 |
| 214R | 24 | PW | D10062 | 21 | | 77-12-12 | TB0182Y | A013 | BJ | | | | VE085-VE100, VE171-VE180, VF061-VF110, VF161-VF170, VK055-VK080, VK161-VK180, VL011-VL040, VL796-VL810, VL931-VL940, VN171-VN190, VN211-VN220, VN223-VN230, VN241-VN290, VN371-VN420, VN491-VN545, VN551-VN633, VN671-VN675, VN681-VN730, VN931-VN950, VN966-VN967, VN971-VN990, VR421-VR421, VR471-VR471, VS061-VS061, VS066-VS070, VS091-VS094, VS206-VS207 |
| 214R | 24 | PW | D13598 | 21 | | 77-12-13 | TB0182X | B013 | BJ | | | | VL871-VL880 |
| 214R | 24 | PW | D10062 | 21 | | 77-12-12 | TB0158Y | A025 | BJ | | | | VN221-VN222 |

286T1114-101
Wire Bundle Assembly
Figure 117 (Sheet 93)

25-71-01



BOEING
COMPONENT
MAINTENANCE MANUAL

| WIRE | | | FROM EQUIPMENT | | | TO EQUIPMENT | | | WIRE INFO | | | | |
|--------|----|-----|----------------|------|----|--------------|---------|------|-----------|-------------|----|-------|---|
| NUMBER | GA | TYP | NUMBER | TERM | TT | WDM REF | NUMBER | TERM | TT | EMC/ SEP | FT | NOTES | EFFECTIVITY |
| 214Z | | | D10062 | | | 77-12-12 | TB0248X | A005 | BJ | | | | VA301-VA700, VB051-VB200, VB251-VB280, VB321-VB370, VB401-VB410, VB441-VB450, VE101-VE170, VF001-VF010, VF021-VF060, VF171-VF180, VF251-VF260, VK012-VK020, VK031-VK054, VK131-VK140, VK181-VK190, VL001-VL010, VL751-VL790, VL891-VL930, VN001-VN050, VN231-VN240 VN301-VN340, VN421-VN490, VNS46-VNS50, VN634-VN650, VN791-VN810, VN921-VN930, VN951-VN960, VN968-VN970, VR461-VR461, VS051-VS052, VS131-VS132, VS176-VS177, VS196-VS199, VS261-VS262 |
| 214Z | | | TB0182Y | A014 | BJ | 77-12-12 | D10062 | | | | | | VE085-VE086, VF061-VF061, VL011-VL040, VN171-VN173, VN211-VN212, VN241-VN241 |
| 214Z | | | TB0182Y | REF | | 77-12-12 | D10062 | DED | | | | | VE087-VE100, VE171-VE180, VF062-VF110, VF161-VF170, VK161-VK170, VL796-VL810, VN174-VN190, VN213-VN220, VN242-VN290, VN371-VN420, VN491-VN545, VN551-VN633, VS061-VS061, VS066-VS070, VS091-VS094 |
| 214Z | | | D10062 | DED | | 77-12-12 | TB0182Y | REF | | | | | VK055-VK080, VK171-VK180, VL931-VL940, VN223-VN230, VN671-VN675, VN681-VN730, VN931-VN950, VN966-VN967, VN971-VN990, VR421-VR421, VR471-VR471, VS206-VS207 |
| 214Z | | | TB0182X | A013 | BJ | 77-12-13 | D13598 | | | | | | VL871-VL880 |
| 214Z | | | D10062 | DED | | 77-12-12 | TB0158Z | 27 | BJ | | | | VN221-VN222 |
| 214Z | | | TB0248X | A005 | BJ | 77-12-12 | D10062 | | | | | | VS073-VS073, VS266-VS268 |
| 301B | 24 | PM | D02674 | 12 | | 27-58-21 | D08028J | 6 | | | 4 | | VA001-VB410, VB421-VE180, VF001-VF010, VF021-VF110, VF161-VF180, VK001-VK019, VK021-VK080, VK131-VK140, VK161-VK179, VL001-VL040, VL751-VL790, VL796-VL805, VL891-VL909, VL911-VL929, VL931-VL940, VN001-VN050, VN171-VN189, VN211-VN289, VN301-VN340, VN371-VN529 VN531-VN650, VN671-VN675, VN681-VN730, VN791-VN810, VN921-VN949, VN951-VN959, VN966-VN967, VN971-VN990, VR471-VR471, VS196-VS199, VS206-VS207 |

286T1114-101
Wire Bundle Assembly
Figure 117 (Sheet 94)

25-71-01

| WIRE | | FROM EQUIPMENT | | | TO EQUIPMENT | | | WIRE INFO | | |
|--------|--------|----------------|---------|----------|--------------|---------|----------|-----------|--------|--|
| NUMBER | GA TYP | NUMBER | TERM TT | WDM REF | NUMBER | TERM TT | EMC/ SEP | FT | NOTES | EFFECTIVITY |
| 301B | 24 PM | D02674 | 12 | 27-58-21 | D08028J | 6 | | 2 | | VF251-VF260, VK020-VK020, VK180-VK190, VL806-VL810, VL871-VL880, VL910-VL910, VL930-VL930, VN190-VN190, VN290-VN290, VN530-VN530, VN950-VN950, VN960-VN960, VN968-VN970, VR421-VR421, VR461-VR461, VS051-VS052, VS061-VS061, VS066-VS070, VS073-VS073, VS091-VS094 VS131-VS132, VS176-VS177, VS261-VS262, VS266-VS268 |
| 301R | 24 PM | D02674 | 13 | 27-58-21 | D08028J | 7 | | | | VA001-VB410, VB421-VE180, VF001-VF010, VF021-VF110, VF161-VF180, VK001-VK019, VK021-VK080, VK131-VK140, VK161-VK179, VL001-VL040, VL751-VL790, VL796-VL805, VL891-VL909, VL911-VL929, VL931-VL940, VN001-VN050, VN171-VN189, VN211-VN289, VN301-VN340, VN371-VN529 VNS31-VN650, VN671-VN675, VN681-VN730, VN791-VN810, VN921-VN949, VN951-VN959, VN966-VN967, VN971-VN990, VR471-VR471, VS196-VS199, VS206-VS207 |
| 304B | 24 PM | D02674 | 32 | 27-58-21 | D08028J | 13 | | 2 | | VF251-VF260, VK020-VK020, VK180-VK190, VL806-VL810, VL871-VL880, VL910-VL910, VL930-VL930, VN190-VN190, VN290-VN290, VN530-VN530, VN950-VN950, VN960-VN960, VN968-VN970, VR421-VR421, VR461-VR461, VS051-VS052, VS061-VS061, VS066-VS070, VS073-VS073, VS091-VS094 VS131-VS132, VS176-VS177, VS261-VS262, VS266-VS268 |
| 304R | 24 PM | D02674 | 33 | 27-58-21 | D08028J | 14 | | | | |
| 304Y | 24 PM | D02674 | 34 | 27-58-21 | D08028J | 15 | | | | |
| 525 | 24 PV | D05552J | 40 | 21-53-12 | TB0182X | A16 | BJ | 5 | ZSZ-B6 | VB101-VB101 |
| 525Z | | D05552J | DED | 21-53-12 | TB0182X | DED | | | ZSZ-B6 | VB101-VB101 |
| 600 | 24 PK | D10062 | 65 | 77-35-11 | TB0248Y | A004 | BJ | 5 | | VA021-VA299, VA720-VA799, VA811-VA999, VB003-VB050, VB203-VB250, VB285-VB300, VB303-VB320, VB374-VB400, VE004-VE020, VE024-VE040, VE044-VE060, VE070-VE082, VK010-VK011, VK023-VK030 |

286T1114-101
Wire Bundle Assembly
Figure 117 (Sheet 95)

25-71-01



BOEING
COMPONENT
MAINTENANCE MANUAL

| WIRE | | FROM EQUIPMENT | | | WDM REF | TO EQUIPMENT | | | WIRE INFO | | | |
|--------|--------|----------------|---------|----|----------|--------------|---------|----|------------------|---|--|--|
| NUMBER | GA TYP | NUMBER | TERM TT | TT | | NUMBER | TERM TT | FT | NOTES | EFFECTIVITY | | |
| 600 | 24 PK | D10062 | 65 | | 77-35-11 | TB0248Y A004 | BJ | 5 | MOT-F2 MNU-T2 | VA701-VA719, VB201-VB202, VB281-VB284, VB371- VB373, VK001-VK009, VK021-VK022 | | |
| 601 | 24 PK | D10064 | 65 | | 77-35-11 | TB0248Y C003 | BJ | 5 | | VA021-VA299, VA720-VA799, VA811-VA999, VB003- VB050, VB203-VB250, VB285-VB300, VB303-VB320, VB374- VB400, VE004-VE020, VE024-VE040, VE044-VE060, VE070- VE082, VK023-VK030 | | |
| 601 | 24 PK | D10064 | 65 | | 77-35-11 | TB0248Y C003 | BJ | 5 | MOT-F2 MNU-T2 | VA701-VA719, VB201-VB202, VB281-VB284, VB371- VB373, VK001-VK009, VK021-VK022 | | |
| 601 | 24 PK | D10064 | 65 | | 77-35-11 | TB0248Y C003 | BJ | 4 | | VK010-VK011 | | |
| 900 | 20 PA | D02674 | 1 | DK | 27-58-21 | D02674 20 | DK | 9 | | VA801-VA810 | | |

286T1114-101
Wire Bundle Assembly
Figure 117 (Sheet 96)

25-71-01

| WIRE | | FROM EQUIPMENT | | | TO EQUIPMENT | | | WIRE INFO | | | | | | |
|--------|----|----------------|---------|------|--------------|----------|-----|-----------|------|----|-------------|----|-------|-------------|
| NUMBER | GA | TYP | NUMBER | TERM | TT | WDM | REF | NUMBER | TERM | TT | EMC/ SEP | FT | NOTES | EFFECTIVITY |
| FRA | | | D08038J | | | 28-21-12 | | D08038J | 2 | | S2 | | | |
| FRB | | | D08038J | | | 28-21-12 | | D08038J | 7 | | S2 | | | |
| FRC | | | D08038J | | | 28-21-12 | | D08038J | 9 | | S2 | | | |
| FRD | | | D08038J | | | 28-21-12 | | D08038J | 3 | | S2 | | | |
| FRE | | | D08038J | | | 28-21-12 | | D08038J | 10 | | S2 | | | |
| FRF | | | D08038J | | | 28-21-12 | | D08038J | 12 | | S2 | | | |
| FRM | | | TB0182Y | REF | | 77-12-12 | | TB0182Y | A014 | BJ | S2 | | | VN163-VN170 |
| FRN | | | TB0182Y | REF | | 77-12-12 | | TB0182Y | A017 | BJ | S2 | | | VN163-VN170 |
| PAL | | | D02674 | 47 | | 99-99-99 | | D02674 | 66 | | S2 | | | DAW-B2 |
| PA1 | | | D02674 | 47 | | 27-58-21 | | D02674 | 64 | | S2 | | | DAW-B2 |
| PB1 | | | D01882 | 1 | | 99-99-99 | | D01882 | 41 | | S2 | | | DAW-B2 |
| PC1 | | | D02246 | 2 | | 99-99-99 | | D02246 | 26 | | S2 | | | DAW-B2 |
| PD1 | | | D10062 | 44 | | 73-21-18 | | D10062 | 52 | | S2 | 2 | | DAW-B2 |
| PE1 | | | D10064 | 44 | | 73-21-18 | | D10064 | 52 | | S2 | 2 | | DAW-B2 |
| 1 | 22 | PA | D01882 | 19 | | 28-21-12 | | D08036J | 6 | | S2 | 4 | | |
| 2 | 22 | PA | D10062 | 16 | | 21-51-11 | | GDX0005 | D.. | 2 | S2 | 4 | | |
| 3 | 24 | PK | D10062 | 26 | | 21-51-11 | | TB0158Y | A005 | BJ | S2 | 4 | | |
| 4 | 24 | PK | D10062 | 25 | | 21-51-11 | | TB0158Y | C006 | BJ | S2 | 4 | | |
| 5 | 24 | PK | D10064 | 26 | | 21-51-21 | | TB0158Y | C007 | BJ | S2 | 4 | | |
| 6 | 24 | PK | D10064 | 25 | | 21-51-21 | | TB0158Y | A008 | BJ | S2 | 4 | | |
| 7 | 22 | PA | D10064 | 16 | | 21-51-21 | | GDX0005 | D.. | 2 | S2 | 4 | | |
| 8 | 22 | PA | D01882 | 3 | | 28-21-12 | | D08036J | 5 | | S2 | 4 | | |
| 9 | 22 | PA | D01882 | 6 | | 28-21-12 | | D08036J | 4 | | S2 | 4 | | |
| 10 | 22 | PA | D01882 | 5 | | 28-21-12 | | GDX0003 | D.. | 2 | S2 | 4 | | |
| 11 | 22 | PA | D10062 | 49 | | 21-58-11 | | GDX0004 | D.. | 2 | S2 | 4 | | |
| 12 | 24 | PK | D10062 | 56 | | 21-58-11 | | D10064 | 56 | | S2 | 4 | | |
| 13 | 22 | PA | TB0182D | A025 | 2 | 22-24-11 | | D04885J | 1 | | S2 | 3 | | |
| 14 | 24 | PK | D02674 | 22 | | 22-12-31 | | D04885J | 6 | | S2 | 4 | | |
| 15 | 24 | PK | D02674 | 23 | | 22-12-31 | | D04885J | 7 | | S2 | 4 | | |
| 16 | 24 | PK | TB0248X | A002 | BJ | 21-58-11 | | D10064 | 49 | | S2 | 4 | | |
| 17 | 22 | PA | D02674 | 8 | | 27-58-21 | | GDX0003 | A.. | 2 | S2 | 4 | | |
| 18 | 22 | PA | D10064 | 17 | | 36-11-51 | | GDX0004 | D.. | 2 | S2 | 3 | | |
| 19 | 22 | PA | D02674 | 7 | | 27-58-21 | | D08028J | 1 | | S2 | 4 | | |
| 20 | 22 | PQ | D01882 | 9 | | 28-21-12 | | D08038J | 11 | | S2 | 4 | | JAB-T6 |

286T1114-140
Wire Bundle Assembly
Figure 118 (Sheet 1)

25-71-01



BOEING
COMPONENT
MAINTENANCE MANUAL

| WIRE | | FROM EQUIPMENT | | | | TO EQUIPMENT | | | | WIRE INFO | | | |
|--------|----|----------------|---------|------|----|--------------|---------|------|----|-----------|----|--------|-------------|
| NUMBER | GA | TYP | NUMBER | TERM | TT | WDM REF | NUMBER | TERM | TT | EMC/SEP | FT | NOTES | EFFECTIVITY |
| 020Z | | | D01882 | 8 | | 28-21-12 | D08038J | | | S2 | 4 | JAB-T6 | |
| 21 | 22 | PQ | D01882 | 16 | | 28-21-12 | D08038J | 6 | | S2 | 4 | JAB-T6 | |
| 021Z | | | D01882 | 17 | | 28-21-12 | D08038J | 5 | | S2 | 4 | | |
| 22 | 24 | PK | D02674 | 38 | | 22-12-31 | D04885J | 8 | | S2 | 4 | | |
| 23 | 24 | PK | D02674 | 39 | | 22-12-31 | D04885J | 9 | | S2 | 4 | | |
| 24 | 22 | PQ | D01882 | 12 | | 28-21-12 | D08038J | 8 | | S2 | 4 | JAB-T6 | |
| 024Z | | | D01882 | 13 | | 28-21-12 | D08038J | | | S2 | 4 | | |
| 25 | 22 | PQ | D01882 | 15 | | 28-21-12 | D08038J | 4 | | S2 | 4 | JAB-T6 | |
| 025Z | | | D01882 | 14 | | 28-21-12 | D08038J | 1 | | S2 | 4 | | |
| 26 | 22 | PA | D02674 | 43 | | 27-58-21 | GDX0003 | D.. | 2 | S2 | 4 | | |
| 27 | 24 | PK | D02674 | 58 | | 27-58-21 | TB0182D | C025 | 2 | S2 | 4 | | |
| 28 | 22 | PA | D10064 | 61 | | 36-11-51 | TB0248X | B002 | BJ | S2 | 4 | | |
| 29 | 22 | PA | TB0182D | A020 | 2 | 27-61-11 | D04885J | 5 | | S2 | 4 | | |
| 32 | 24 | PK | TB0182D | C023 | 2 | 21-51-11 | D02674 | 24 | | S2 | 4 | | |
| 33 | 24 | PK | TB0158F | C024 | 2 | 21-51-11 | D02674 | 27 | | S2 | 4 | | |
| 34 | 22 | PA | D02246 | 16 | | 29-11-32 | D08036J | 1 | | S2 | 4 | | |
| 35 | 22 | PA | D02246 | 13 | | 29-11-32 | D08036J | 7 | | S2 | 4 | | |
| 36 | 22 | PA | D02246 | 10 | | 29-11-32 | D08036J | 3 | | S2 | 4 | | |
| 37 | 22 | PA | D02246 | 1 | | 29-11-32 | GDX0003 | D.. | 2 | S2 | 4 | | |
| 38 | 22 | PA | D10062 | 17 | | 36-11-52 | GDX0004 | D.. | 2 | S2 | 3 | | |
| 40 | 22 | PA | D02246 | 4 | | 29-11-32 | D08036J | 12 | | S2 | 4 | | |
| 41 | 22 | PA | D02246 | 7 | | 29-11-32 | D08036J | 8 | | S2 | 4 | | |
| 42 | 24 | PK | D02246 | 18 | | 29-11-32 | D08036J | 11 | | S2 | 4 | | |
| 43 | 24 | PV | D02674 | 28 | | 31-51-41 | TB0248X | B001 | BJ | S2 | 4 | | |
| 043Z | | | D02674 | DED | | 31-51-41 | TB0248X | DED | | S2 | 4 | | |
| 44 | 24 | PK | D02674 | 29 | | 27-58-21 | TB0182D | C019 | 2 | S2 | 5 | | |
| 45 | 22 | PA | D02246 | 29 | | 29-11-32 | GDX0003 | S.. | 2 | S2 | 4 | | |
| 46 | 24 | PK | D10062 | 59 | | 29-21-31 | D08036J | 18 | | S2 | 4 | | |
| 47 | 24 | PK | D10062 | 30 | | 29-21-31 | D10064 | 59 | | S2 | 3 | | |
| 48 | 24 | PK | D08036J | 19 | | 29-21-31 | D10064 | 30 | | S2 | 4 | | |
| 50 | 22 | PA | D10062 | 2 | | 28-22-12 | GDX0003 | D.. | 2 | S2 | 4 | | |
| 51 | 24 | PK | D10062 | 37 | | 28-22-12 | TB0248X | D001 | BJ | S2 | 4 | | |
| 52 | 24 | PK | D10064 | 37 | | 28-22-12 | D08036J | 13 | | S2 | 4 | | |
| 53 | 22 | PA | D10064 | 2 | | 28-22-12 | GDX0003 | D.. | 2 | S2 | 4 | | |

286T1114-140
Wire Bundle Assembly
Figure 118 (Sheet 2)

25-71-01

| WIRE | | | FROM EQUIPMENT | | | TO EQUIPMENT | | | WIRE INFO | | | | |
|--------|----|-----|----------------|------|-----|--------------|---------|------|-----------|---------|----|--------|----------------------------|
| NUMBER | GA | TYP | NUMBER | TERM | TT | WDM REF | NUMBER | TERM | TT | EMC/SEP | FT | NOTES | EFFECTIVITY |
| 55 | 22 | PA | D10062 | 61 | | 36-11-52 | TB0248X | B012 | BJ | S2 | 4 | | |
| 57 | 24 | PK | D10064 | 63 | | 73-21-18 | TB0182Y | A013 | BJ | S2 | 4 | | VN151-VN162 VN163-VN170 |
| 57 | 24 | PK | D10064 | 63 | | 73-21-18 | TB0182Y | C014 | BJ | S2 | 4 | | |
| 58 | 24 | PK | D10064 | 65 | | 73-21-18 | TB0182X | A011 | BJ | S2 | 4 | | |
| 59 | 22 | PA | D10064 | 31 | | 73-21-18 | GDX0003 | D.. | 2 | S2 | 4 | | |
| 60 | 24 | PK | D08028J | 2 | | 73-21-18 | TB0182Y | C008 | BJ | S2 | 3 | | VN156-VN170 |
| 060A | 24 | PK | TB0182Y | C008 | BJ | 73-21-18 | D08028J | 2 | | S2 | 3 | MNU-F2 | VN151-VN155 |
| 61 | 24 | PK | D08028J | 3 | | 73-21-18 | TB0182Y | A013 | BJ | S2 | 3 | | VN151-VN162 |
| 61 | 24 | PK | D08028J | 3 | | 73-21-18 | TB0182Y | C014 | BJ | S2 | 3 | | VN163-VN170 |
| 62 | 24 | PV | D10062 | 8 | | 73-21-18 | D08036J | 16 | | S2 | 4 | | |
| 062Z | 24 | PV | D10062 | 8 | DED | 73-21-18 | D08036J | DED | | S2 | 4 | | |
| 063Z | 24 | PV | D10064 | 8 | DED | 73-21-18 | D08036J | DED | | S2 | 4 | | |
| 64 | 22 | PA | D10064 | 4 | | 73-21-18 | D08036J | DED | | S2 | 4 | | |
| 65 | 24 | PK | D10062 | 63 | | 73-21-18 | GDX0003 | D.. | 2 | S2 | 4 | | |
| 65 | 24 | PK | D10062 | 63 | | 73-21-18 | TB0182Y | C008 | BJ | S2 | 4 | | VN156-VN170 |
| 065A | 24 | PK | D10062 | 63 | | 73-21-18 | TB0182Y | C008 | BJ | S2 | 4 | MNU-T2 | VN151-VN155 |
| 66 | 22 | PA | D10062 | 4 | | 73-21-18 | GDX0003 | D.. | 2 | S2 | 4 | | |
| 67 | 24 | PK | D10062 | 65 | | 73-21-18 | TB0182X | A012 | BJ | S2 | 4 | | |
| 68 | 22 | PA | D10062 | 28 | | 73-21-18 | GDX0003 | D.. | 2 | S2 | 4 | | |
| 69 | 22 | PA | D10064 | 28 | | 73-21-18 | GDX0003 | D.. | 2 | S2 | 4 | | |
| 70 | 24 | PV | D10064 | 18 | | 80-11-11 | D08028J | 18 | | S2 | 4 | | |
| 070Z | 24 | PV | D10064 | DED | | 80-11-11 | D08028J | DED | | S2 | 4 | | |
| 71 | 24 | PV | D10064 | 40 | | 80-11-11 | D08028J | 19 | | S2 | 4 | | |
| 071Z | 24 | PV | D10064 | DED | | 80-11-11 | D08028J | DED | | S2 | 4 | | |
| 72 | 22 | PQ | D10062 | 36 | | 30-31-11 | GDX0003 | D.. | 2 | S2 | 4 | | |
| 072Z | 22 | PQ | D10062 | DED | | 30-31-11 | GDX0003 | DED | | S2 | 4 | | |
| 73 | 24 | PV | D10062 | 1 | | 30-31-11 | TB0248Y | C013 | BJ | S2 | 4 | | |
| 073Z | 24 | PV | D10062 | DED | | 30-31-11 | TB0248Y | DED | | S2 | 4 | | |
| 74 | 24 | PV | D10064 | 1 | | 30-31-11 | TB0248Y | C013 | BJ | S2 | 4 | | |
| 074Z | 24 | PV | D10064 | DED | | 30-31-11 | TB0248Y | DED | | S2 | 4 | | |
| 75 | 22 | PQ | D10064 | 36 | | 30-31-11 | GDX0005 | D.. | 2 | S2 | 4 | | |
| 075Z | 22 | PQ | D10064 | DED | | 30-31-11 | GDX0005 | DED | | S2 | 4 | | |
| 76 | 24 | PK | D10062 | 32 | | 30-34-21 | TB0248X | D002 | BJ | S2 | 4 | | |
| 77 | 22 | PA | D10062 | 62 | | 30-34-21 | GDX0005 | D.. | 2 | S2 | 4 | | |

286T1114-140
Wire Bundle Assembly
Figure 118 (Sheet 3)

25-71-01



BOEING
COMPONENT
MAINTENANCE MANUAL

| WIRE | | | FROM EQUIPMENT | | | | TO EQUIPMENT | | | | WIRE INFO | | | |
|--------|----|-----|----------------|------|----|----------|--------------|------|----|---------|-----------|-------|-------------|--|
| NUMBER | GA | TYP | NUMBER | TERM | TT | WDM REF | NUMBER | TERM | TT | EMC/SEP | FT | NOTES | EFFECTIVITY | |
| 78 | 22 | PA | D10062 | 50 | | 30-31-21 | GDX0005 | D.. | 2 | S2 | 4 | | | |
| 79 | 24 | PK | D10062 | 57 | | 30-31-21 | TB0248Y | A014 | BJ | S2 | 4 | | | |
| 80 | 24 | PK | D10064 | 57 | | 30-31-21 | TB0248Y | A014 | BJ | S2 | 4 | | | |
| 81 | 22 | PA | D10064 | 50 | | 30-31-21 | GDX0005 | D.. | 2 | S2 | 4 | | | |
| 82 | 24 | PV | D10064 | 32 | | 30-34-11 | TB0248X | C002 | BJ | S2 | 4 | | | |
| 082Z | | | D10064 | DED | | 30-34-11 | TB0248X | DED | | S2 | | | | |
| 83 | 22 | PQ | D10064 | 62 | | 30-34-11 | GDX0005 | D.. | 2 | S2 | 4 | | | |
| 083Z | | | D10064 | DED | | 30-34-11 | GDX0005 | DED | | S2 | | | | |
| 84 | 24 | PK | D10062 | 18 | | 80-11-21 | D08036J | 20 | | S2 | 4 | | | |
| 85 | 24 | PK | D10062 | 40 | | 80-11-21 | D08036J | 21 | | S2 | 4 | | | |
| 86 | 22 | PA | D10062 | 31 | | 73-21-18 | GDX0003 | D.. | 2 | S2 | 4 | | | |
| 87 | 24 | PK | D10062 | 34 | | 24-51-52 | TB0248X | A015 | BJ | S2 | 4 | | | |
| 88 | 24 | PK | D10062 | 27 | | 24-51-52 | TB0248X | B015 | BJ | S2 | 4 | | | |
| 89 | 24 | PK | D10064 | 27 | | 24-51-52 | TB0248X | C015 | BJ | S2 | 4 | | | |
| 90 | 24 | PK | D10064 | 34 | | 24-51-52 | TB0248X | D015 | BJ | S2 | 4 | | | |
| 91 | 24 | PK | D08028J | 20 | | 73-21-15 | TB0158G | 10 | 2 | S2 | 3 | | | |
| 92 | 24 | PV | D10062 | 5 | | 73-21-11 | TB0182X | A027 | BJ | S2 | 4 | | | |
| 092F | 20 | UA | D10062 | | | 73-21-11 | GDX0004 | S.. | 2 | S2 | 3 | | | |
| 092Z | | | D10062 | | | 73-21-11 | TB0182X | B027 | BJ | S2 | | | | |
| 93 | 24 | PV | D10062 | 12 | | 73-21-11 | TB0182Y | C006 | BJ | S2 | 4 | | | |
| 093F | 20 | UA | D10062 | | | 73-21-11 | GDX0004 | S.. | 2 | S2 | 3 | | | |
| 093Z | | | D10062 | | | 73-21-11 | TB0182Y | C004 | BJ | S2 | | | | |
| 94 | 24 | PV | D10064 | 5 | | 73-21-11 | TB0182X | C027 | BJ | S2 | 3 | | | |
| 094F | 20 | UA | D10064 | | | 73-21-11 | GDX0004 | S.. | 2 | S2 | 3 | | | |
| 094Z | | | TB0182X | D027 | BJ | 73-21-11 | D10064 | | | S2 | | | | |
| 95 | 24 | PV | D10064 | 12 | | 73-21-11 | TB0182Y | A007 | BJ | S2 | 4 | | | |
| 095F | 20 | UA | D10064 | | | 73-21-11 | GDX0004 | S.. | 2 | S2 | 3 | | | |
| 095Z | | | TB0182Y | C007 | BJ | 73-21-11 | D10064 | | | S2 | | | | |
| 96 | 24 | PV | D08028J | 4 | | 73-21-11 | TB0182Y | A007 | BJ | S2 | 3 | | | |
| 096Z | | | D08028J | 5 | | 73-21-11 | TB0182Y | C007 | BJ | S2 | | | | |
| 101 | 24 | PK | D10064 | 6 | | 73-21-18 | TB0248X | A016 | BJ | S2 | 4 | | | |
| 102 | 22 | PA | D10064 | 15 | | 73-21-18 | GDX0005 | D.. | 2 | S2 | 4 | | | |
| 105 | 22 | PA | D10062 | 15 | | 73-21-18 | GDX0005 | D.. | 2 | S2 | 3 | | | |
| 106 | 24 | PK | D10062 | 6 | | 73-21-18 | TB0248X | B016 | BJ | S2 | 4 | | | |

286T1114-140
Wire Bundle Assembly
Figure 118 (Sheet 4)

25-71-01

| WIRE | | FROM EQUIPMENT | | | | TO EQUIPMENT | | | | WIRE INFO | | | |
|--------|----|----------------|---------|------|----|--------------|---------|------|----|-----------|----|-------|---|
| NUMBER | GA | TYP | NUMBER | TERM | TT | WDM REF | NUMBER | TERM | TT | EMC/SEP | FT | NOTES | EFFECTIVITY |
| 107 | 22 | PA | D10064 | 48 | | 80-11-11 | GDX0005 | D.. | 2 | S2 | 4 | | |
| 108 | 22 | PA | D10064 | 39 | | 80-11-11 | GDX0005 | D.. | 2 | S2 | 4 | | |
| 109 | 22 | PA | D10062 | 48 | | 80-11-21 | GDX0005 | D.. | 2 | S2 | 4 | | |
| 110 | 22 | PA | D10062 | 39 | | 80-11-21 | GDX0005 | D.. | 2 | S2 | 4 | | |
| 111 | 22 | PA | D08036J | 24 | | 21-58-11 | TB0158F | A011 | 2 | S2 | 3 | | |
| 112 | 24 | PK | D08028J | 21 | | 21-58-14 | TB0158Y | C014 | BJ | S2 | 3 | | VN151-VN153 VN154-VN170 |
| 112 | 24 | PK | D08028J | 21 | | 21-58-14 | TB0158Y | C008 | BJ | S2 | 3 | | |
| 113 | 24 | PK | D08036J | 22 | | 21-58-15 | TB0182X | C016 | BJ | S2 | 3 | | |
| 114 | 24 | PK | D08036J | 23 | | 21-58-11 | TB0158F | C011 | 2 | S2 | 3 | | |
| 114 | 24 | PK | D08028J | 23 | | 21-58-11 | TB0182Y | A001 | BJ | S2 | 3 | | |
| 116 | 24 | PK | D08028J | 24 | | 21-58-11 | TB0182Y | C002 | BJ | S2 | 3 | | |
| 117 | 24 | PK | D08028J | 22 | | 21-58-11 | TB0158G | 2 | 2 | S2 | 3 | | |
| 119 | 24 | PK | TB0182D | C025 | 2 | 27-58-21 | TB0182D | C026 | 2 | S2 | 3 | | |
| 120 | 24 | PK | TB0182D | C019 | 2 | 27-58-21 | TB0182D | C020 | 2 | S2 | 3 | | |
| 121 | 24 | PK | D02674 | 52 | | 27-51-31 | TB0158F | A024 | 2 | S2 | 4 | | |
| 130 | 22 | PA | D10062 | 46 | | 73-21-18 | GDX0005 | D.. | 2 | S2 | 4 | | MOT-F2 MNU-T2 |
| 130 | 22 | PA | D10062 | 46 | | 73-21-18 | GDX0005 | D.. | 2 | S2 | 4 | | VN156-VN158, VN163-VN168, VN159-VN162, VN169-VN170, VN151-VN155 |
| 130 | 22 | PA | D10062 | 46 | | 73-21-11 | GDX0005 | D.. | 2 | S2 | 4 | | |
| 131 | 24 | PK | TB0248X | C016 | BJ | 73-21-18 | D10062 | 14 | | S2 | 4 | | MNU-F2 |
| 131 | 24 | PK | TB0248X | C016 | BJ | 73-21-18 | D10062 | 14 | | S2 | 4 | | MOT-T2 |
| 131 | 24 | PK | TB0248X | C016 | BJ | 73-21-11 | D10062 | 14 | | S2 | 4 | | VN156-VN158, VN163-VN168, VN159-VN162, VN169-VN170, VN151-VN155 |
| 132 | 24 | PK | TB0248X | D016 | BJ | 73-21-18 | D10064 | 14 | | S2 | 4 | | |
| 132 | 24 | PK | TB0248X | D016 | BJ | 73-21-18 | D10064 | 14 | | S2 | 4 | | VN156-VN158, VN163-VN168, VN159-VN162, VN169-VN170, VN151-VN155 |
| 132 | 24 | PK | TB0248X | D016 | BJ | 73-21-11 | D10064 | 14 | | S2 | 4 | | |
| 133 | 22 | PA | D10064 | 46 | | 73-21-18 | GDX0005 | D.. | 2 | S2 | 4 | | MOT-F2 MNU-T2 |
| 133 | 22 | PA | D10064 | 46 | | 73-21-18 | GDX0005 | D.. | 2 | S2 | 4 | | VN156-VN158, VN163-VN168, VN159-VN162, VN169-VN170, VN151-VN155 |
| 133 | 22 | PA | D10064 | 46 | | 73-21-11 | GDX0005 | D.. | 2 | S2 | 4 | | |
| 134 | 22 | PA | TB0182D | CAP | Y | 28-31-12 | D08028J | 16 | | S2 | 2 | | ZSZ-B6 |
| 134 | 22 | PA | TB0182D | C020 | 2 | 28-31-12 | D08028J | 16 | | S2 | 2 | | VN156-VN158, VN166-VN168, VN163-VN165 |
| 201B | 24 | PL | D02674 | 18 | | 27-51-31 | TB0158F | A019 | 2 | S2 | 4 | | |

286T1114-140
Wire Bundle Assembly
Figure 118 (Sheet 5)

25-71-01



BOEING
COMPONENT
MAINTENANCE MANUAL

| WIRE | | FROM EQUIPMENT | | | TO EQUIPMENT | | | WIRE INFO | | | | | |
|--------|----|----------------|---------|------|--------------|----------|---------|-----------|----|---------|----|--------|-------------|
| NUMBER | GA | TYP | NUMBER | TERM | TT | WDM REF | NUMBER | TERM | TT | EMC/SEP | FT | NOTES | EFFECTIVITY |
| 201R | 24 | PL | D02674 | 17 | | 27-51-31 | TB0158F | C019 | 2 | S2 | | | |
| 202B | 22 | PB | D02674 | 9 | | 27-58-21 | D08028J | 9 | | S2 | 4 | | |
| 202R | 22 | PB | D02674 | 10 | | 27-58-21 | D08028J | 10 | | S2 | | | |
| 205B | 22 | PB | D02674 | 35 | | 27-58-21 | D08028J | 11 | | S2 | 4 | | |
| 205R | 22 | PB | D02674 | 31 | | 27-58-21 | D08028J | 12 | | S2 | | | |
| 206B | 24 | PW | D02246 | 21 | | 29-11-32 | D08036J | 10 | | S2 | 4 | | |
| 206R | 24 | PW | D02246 | 20 | | 29-11-32 | D08036J | 9 | | S2 | | | |
| 206Z | | | D02246 | | | 29-11-32 | D08036J | 2 | | S2 | | | |
| 207B | 24 | PL | D02674 | 21 | | 27-32-11 | D04885J | 3 | | S2 | 4 | | |
| 207R | 24 | PL | D02674 | 19 | | 27-32-11 | D04885J | 2 | | S2 | | | |
| 211B | 24 | PW | D10064 | 13 | | 77-12-12 | TB0158Y | C026 | BJ | S2 | 4 | | VN151-VN162 |
| 211B | 24 | PW | D10064 | 13 | | 77-12-12 | TB0182Y | C018 | BJ | S2 | 4 | | VN163-VN170 |
| 211F | 20 | PA | TB0158Z | 28 | BJ | 77-12-12 | GDX0001 | S.. | 2 | S2 | | CAM-B2 | VN151-VN162 |
| 211F | 20 | UA | TB0182Y | A017 | BJ | 77-12-12 | GDX0001 | S.. | 2 | S2 | | CAM-B2 | VN163-VN170 |
| 211R | 24 | PW | D10064 | 9 | | 77-12-12 | TB0158Y | A026 | BJ | S2 | | | VN151-VN162 |
| 211R | 24 | PW | D10064 | 9 | | 77-12-12 | TB0182Y | A018 | BJ | S2 | | | VN163-VN170 |
| 211Z | | | D10064 | DED | | 77-12-12 | TB0158Z | 28 | BJ | S2 | | | VN151-VN162 |
| 211Z | | | D10064 | DED | | 77-12-12 | TB0182Y | REF | | S2 | | | VN163-VN170 |
| 212B | 24 | PW | D10064 | 20 | | 77-12-12 | TB0158Y | C026 | BJ | S2 | 4 | | VN151-VN162 |
| 212B | 24 | PW | D10064 | 20 | | 77-12-12 | TB0182Y | C018 | BJ | S2 | 4 | | VN163-VN170 |
| 212R | 24 | PW | D10064 | 21 | | 77-12-12 | TB0158Y | A026 | BJ | S2 | | | VN151-VN162 |
| 212R | 24 | PW | D10064 | 21 | | 77-12-12 | TB0182Y | A018 | BJ | S2 | | | VN163-VN170 |
| 212Z | | | D10064 | DED | | 77-12-12 | TB0158Z | 28 | BJ | S2 | | | VN151-VN162 |
| 212Z | | | D10064 | DED | | 77-12-12 | TB0182Y | REF | | S2 | | | VN163-VN170 |
| 213B | 24 | PW | D10062 | 13 | | 77-12-12 | TB0158Y | C025 | BJ | S2 | 4 | | VN151-VN162 |
| 213B | 24 | PW | D10062 | 13 | | 77-12-12 | TB0182Y | C013 | BJ | S2 | 4 | | VN163-VN170 |
| 213F | 20 | PA | TB0158Z | 27 | BJ | 77-12-12 | GDX0002 | S.. | 2 | S2 | | CAM-B2 | VN151-VN162 |
| 213F | 20 | UA | TB0182Y | A014 | BJ | 77-12-12 | GDX0002 | S.. | 2 | S2 | | CAM-B2 | VN163-VN170 |
| 213R | 24 | PW | D10062 | 9 | | 77-12-12 | TB0158Y | A025 | BJ | S2 | | | VN151-VN162 |
| 213R | 24 | PW | D10062 | 9 | | 77-12-12 | TB0182Y | A013 | BJ | S2 | | | VN163-VN170 |
| 213Z | | | D10062 | DED | | 77-12-12 | TB0158Z | 27 | BJ | S2 | | | VN151-VN162 |
| 213Z | | | D10062 | DED | | 77-12-12 | TB0182Y | REF | | S2 | | | VN163-VN170 |
| 214B | 24 | PW | D10062 | 20 | | 77-12-12 | TB0158Y | C025 | BJ | S2 | 4 | | VN151-VN162 |
| 214B | 24 | PW | D10062 | 20 | | 77-12-12 | TB0182Y | C013 | BJ | S2 | 4 | | VN163-VN170 |

286T1114-140
Wire Bundle Assembly
Figure 118 (Sheet 6)

25-71-01

| WIRE | | | FROM EQUIPMENT | | | | TO EQUIPMENT | | | | WIRE INFO | | | |
|--------|----|-----|----------------|------|----|----------|--------------|------|----|---------|-----------|-------|-------------|--|
| NUMBER | GA | TYP | NUMBER | TERM | TT | WDM REF | NUMBER | TERM | TT | EMC/SEP | FT | NOTES | EFFECTIVITY | |
| 214R | 24 | PW | D10062 | 21 | | 77-12-12 | TB0158Y | A025 | BJ | S2 | | | VN151-VN162 | |
| 214R | 24 | PW | D10062 | 21 | | 77-12-12 | TB0182Y | A013 | BJ | S2 | | | VN163-VN170 | |
| 214Z | | | D10062 | DED | | 77-12-12 | TB0158Z | 27 | BJ | S2 | | | VN151-VN162 | |
| 214Z | | | D10062 | DED | | 77-12-12 | TB0182Y | REF | | S2 | | | VN163-VN170 | |
| 301B | 24 | PM | D02674 | 12 | | 27-58-21 | D08028J | 6 | | S2 | 4 | | | |
| 301R | 24 | PM | D02674 | 13 | | 27-58-21 | D08028J | 7 | | S2 | | | | |
| 301Y | 24 | PM | D02674 | 11 | | 27-58-21 | D08028J | 8 | | S2 | | | | |
| 304B | 24 | PM | D02674 | 32 | | 27-58-21 | D08028J | 13 | | S2 | 4 | | | |
| 304R | 24 | PM | D02674 | 33 | | 27-58-21 | D08028J | 14 | | S2 | | | | |
| 304Y | 24 | PM | D02674 | 34 | | 27-58-21 | D08028J | 15 | | S2 | | | | |

286T1114-140
 Wire Bundle Assembly
 Figure 118 (Sheet 7)

25-71-01

TESTING & FAULT ISOLATION
 01 Page 154R
 Nov 01/02



BOEING
COMPONENT
MAINTENANCE MANUAL

| WIRE | | FROM EQUIPMENT | | TO EQUIPMENT | | WIRE INFO | | | | | |
|--------|----|----------------|---------|--------------|----------|-----------|---------|---------|----|--------|-------------|
| NUMBER | GA | TYP | NUMBER | TERM TT | WDM REF | NUMBER | TERM TT | EMC/SEP | FT | NOTES | EFFECTIVITY |
| FRA | | | D08038J | | 28-21-12 | D08038J | 2 | S2 | | | |
| FRB | | | D08038J | | 28-21-12 | D08038J | 7 | S2 | | | |
| FRC | | | D08038J | | 28-21-12 | D08038J | 9 | S2 | | | |
| FRD | | | D08038J | | 28-21-12 | D08038J | 3 | S2 | | | |
| FRE | | | D08038J | | 28-21-12 | D08038J | 10 | S2 | | | |
| FRF | | | D08038J | | 28-21-12 | D08038J | 12 | S2 | | | |
| PA1 | | | D02674 | 47 | 27-58-21 | D02674 | 64 | S2 | | DAW-B2 | |
| PB1 | | | D01882 | 1 | 99-99-99 | D01882 | 41 | S2 | | DAW-B2 | |
| PC1 | | | D02246 | 2 | 29-11-32 | D02246 | 26 | S2 | | DAW-B2 | |
| PD1 | | | D13600 | 44 | 73-21-18 | D13600 | 19 | S2 | 3 | DAW-B2 | |
| PE1 | | | D13598 | 44 | 73-21-18 | D13598 | 19 | S2 | 3 | DAW-B2 | |
| 1 | 22 | PA | D01882 | 19 | 28-21-12 | D08036J | 6 | S2 | 4 | | |
| 2 | 22 | PA | D13598 | 16 | 21-51-11 | GDX0005 | D.. | 2 | S2 | 4 | |
| 3 | 24 | PK | D13598 | 26 | 21-51-11 | TB0158Y | A005 | BJ | S2 | 4 | |
| 4 | 24 | PK | D13598 | 25 | 21-51-11 | TB0158Y | C006 | BJ | S2 | 4 | |
| 5 | 24 | PK | D13600 | 26 | 21-51-21 | TB0158Y | C007 | BJ | S2 | 4 | |
| 6 | 24 | PK | D13600 | 25 | 21-51-21 | TB0158Y | A008 | BJ | S2 | 4 | |
| 7 | 22 | PA | D13600 | 16 | 21-51-21 | GDX0005 | D.. | 2 | S2 | 4 | |
| 8 | 22 | PA | D01882 | 3 | 28-21-12 | D08036J | 5 | S2 | 4 | | |
| 9 | 22 | PA | D01882 | 6 | 28-21-12 | D08036J | 4 | S2 | 4 | | |
| 10 | 22 | PA | D01882 | 5 | 28-21-12 | GDX0003 | D.. | 2 | S2 | 4 | BAB-T6 |
| 11 | 22 | PA | D13598 | 49 | 21-58-11 | GDX0004 | D.. | 2 | S2 | 4 | |
| 12 | 24 | PK | D13598 | 56 | 21-58-11 | D13600 | 56 | S2 | 3 | | |
| 13 | 22 | PA | TB0182D | A025 | 22-24-11 | D04885J | 1 | S2 | 3 | | |
| 14 | 24 | PK | D02674 | 22 | 22-12-31 | D04885J | 6 | S2 | 4 | | |
| 15 | 24 | PK | D02674 | 23 | 22-12-31 | D04885J | 7 | S2 | 4 | | |
| 16 | 24 | PK | TB0248X | A002 | 21-58-11 | D13600 | 49 | S2 | 4 | | |
| 17 | 22 | PA | D02674 | 8 | 27-58-21 | GDX0003 | A.. | 2 | S2 | 4 | |
| 18 | 22 | PA | D13600 | 61 | 36-11-51 | GDX0004 | D.. | 2 | S2 | 4 | |
| 19 | 22 | PA | D02674 | 7 | 27-58-21 | D08028J | 1 | S2 | 4 | | |
| 20 | 22 | PQ | D01882 | 9 | 28-21-12 | D08038J | 11 | S2 | 4 | JAB-T6 | |
| 020Z | | | D01882 | 8 | 28-21-12 | D08038J | 6 | S2 | 4 | JAB-T6 | |
| 21 | 22 | PQ | D01882 | 16 | 28-21-12 | D08038J | 6 | S2 | 4 | JAB-T6 | |
| 021Z | | | D01882 | 17 | 28-21-12 | D08038J | 5 | S2 | 4 | | |

286T1114-211
Wire Bundle Assembly
Figure 119 (Sheet 1)

25-71-01

TESTING & FAULT ISOLATION
01

Page 154S
Nov 01/02

| WIRE | | | FROM EQUIPMENT | | | TO EQUIPMENT | | | WIRE INFO | | | |
|--------|----|-----|----------------|---------|----------|--------------|---------|---------|-----------|--------|--|--|
| NUMBER | GA | TYP | NUMBER | TERM TT | WDM REF | NUMBER | TERM TT | EMC/SEP | FT | NOTES | EFFECTIVITY | |
| 22 | 24 | PK | D02674 | 38 | 22-12-31 | D04885J | 8 | S2 | 4 | | | |
| 23 | 24 | PK | D02674 | 39 | 22-12-31 | D04885J | 9 | S2 | 4 | | | |
| 24 | 22 | PQ | D01882 | 12 | 28-21-12 | D08038J | 8 | S2 | 4 | JAB-T6 | | |
| 024Z | | | D01882 | 13 | 28-21-12 | D08038J | | S2 | | | | |
| 25 | 22 | PQ | D01882 | 15 | 28-21-12 | D08038J | 4 | S2 | 4 | JAB-T6 | | |
| 025Z | | | D01882 | 14 | 28-21-12 | D08038J | 1 | S2 | | | | |
| 26 | 22 | PA | D02674 | 43 | 27-58-21 | GDX0003 | D.. 2 | S2 | 4 | | | |
| 27 | 24 | PK | D02674 | 58 | 27-58-21 | TB0182D | C025 2 | S2 | 4 | | | |
| 28 | 24 | PK | D13600 | 17 | 36-11-51 | TB0248X | B002 BJ | S2 | 4 | | | |
| 29 | 22 | PA | TB0182D | A020 2 | 27-61-11 | D04885J | 5 | S2 | 4 | | | |
| 32 | 24 | PK | TB0182D | C023 2 | 21-51-11 | D02674 | 24 | S2 | 4 | | VN111-VN124, VN130-VN132 VN125-VN129, VN133-VN150, VN821-VN920, VS246-VS248 | |
| 32 | 24 | PK | TB0182F | A023 2 | 21-51-11 | D02674 | 24 | S2 | 4 | | | |
| 33 | 24 | PK | TB0158X | B023 BJ | 21-51-11 | D02674 | 27 | S2 | 4 | | | |
| 34 | 22 | PA | D02246 | 16 | 29-11-32 | D08036J | 1 | S2 | 4 | | | |
| 35 | 22 | PA | D02246 | 13 | 29-11-32 | D08036J | 7 | S2 | 4 | | | |
| 36 | 22 | PA | D02246 | 10 | 29-11-32 | D08036J | 3 | S2 | 4 | | | |
| 37 | 22 | PA | D02246 | 1 | 29-11-32 | GDX0003 | D.. 2 | S2 | 4 | | | |
| 38 | 22 | PA | D13598 | 61 | 36-11-52 | GDX0004 | D.. 2 | S2 | 4 | | | |
| 40 | 22 | PA | D02246 | 4 | 29-11-32 | D08036J | 12 | S2 | 4 | | | |
| 41 | 22 | PA | D02246 | 7 | 29-11-32 | D08036J | 8 | S2 | 4 | | | |
| 42 | 24 | PK | D02246 | 18 | 29-11-32 | D08036J | 11 | S2 | 4 | | | |
| 43 | 24 | PV | D02674 | 28 | 31-51-41 | TB0248X | B001 BJ | S2 | 5 | | | |
| 043Z | | | D02674 | DED | 31-51-41 | TB0248X | DED | S2 | | | | |
| 44 | 24 | PK | D02674 | 29 | 27-58-21 | TB0182D | C019 2 | S2 | 5 | | | |
| 45 | 22 | PA | D02246 | 22 | 29-11-32 | GDX0003 | S.. 2 | S2 | 4 | | | |
| 46 | 24 | PK | D13598 | 59 | 29-21-31 | D08036J | 18 | S2 | 4 | | | |
| 47 | 24 | PK | D13598 | 30 | 29-21-31 | D13600 | 59 | S2 | 3 | | | |
| 48 | 24 | PK | D08036J | 19 | 29-21-31 | D13600 | 30 | S2 | 4 | | | |
| 50 | 22 | PA | D13598 | 2 | 28-22-12 | GDX0003 | D.. 2 | S2 | 4 | | | |
| 51 | 24 | PK | D13598 | 37 | 28-22-12 | TB0248X | D001 BJ | S2 | 4 | | | |
| 52 | 24 | PK | D13600 | 37 | 28-22-12 | D08036J | 13 | S2 | 4 | | | |
| 53 | 22 | PA | D13600 | 2 | 28-22-12 | GDX0003 | D.. 2 | S2 | 4 | | | |
| 54 | 24 | PK | D13600 | 47 | 28-25-31 | D08036J | 14 | S2 | 4 | | VN111-VN124, VN130-VN132 | |

286T1114-211
Wire Bundle Assembly
Figure 119 (Sheet 2)

25-71-01



BOEING
COMPONENT
MAINTENANCE MANUAL

| WIRE | | | FROM EQUIPMENT | | | TO EQUIPMENT | | | WIRE INFO | | | | |
|--------|----|-----|----------------|------|----|--------------|---------|------|-----------|---------|----|-------|--------------------------|
| NUMBER | GA | TYP | NUMBER | TERM | TT | WDM REF | NUMBER | TERM | TT | EMC/SEP | FT | NOTES | EFFECTIVITY |
| 55 | 24 | PK | D13598 | 17 | | 36-11-52 | TB0248X | B012 | BJ | S2 | 4 | | VN111-VN124, VN130-VN132 |
| 56 | 24 | PK | D13600 | 46 | | 28-25-31 | D08036J | 15 | | S2 | 4 | | |
| 57 | 24 | PK | D13600 | 63 | | 73-21-18 | TB0182Y | A008 | BJ | S2 | 4 | | |
| 58 | 24 | PK | D13600 | 65 | | 73-21-18 | TB0182X | B016 | BJ | S2 | 4 | | |
| 59 | 22 | PA | D13600 | 31 | | 73-21-18 | GDX0005 | D.. | 2 | S2 | 4 | | |
| 60 | 24 | PK | D08028J | 2 | | 73-21-18 | TB0182Y | C008 | BJ | S2 | 3 | | |
| 61 | 24 | PK | D08028J | 3 | | 73-21-18 | TB0182Y | A008 | BJ | S2 | 3 | | |
| 62 | 24 | PV | D13598 | 8 | | 73-21-18 | D08036J | 16 | | S2 | 4 | | |
| 062Z | | | D13598 | DED | | 73-21-18 | D08036J | DED | | S2 | | | |
| 63 | 24 | PV | D13600 | 8 | | 73-21-18 | D08036J | 17 | | S2 | 4 | | |
| 063Z | | | D13600 | DED | | 73-21-18 | D08036J | DED | | S2 | | | |
| 64 | 22 | PA | D13600 | 4 | | 73-21-18 | GDX0003 | D.. | 2 | S2 | 4 | | |
| 65 | 24 | PK | D13598 | 63 | | 73-21-18 | TB0182Y | C008 | BJ | S2 | 4 | | |
| 66 | 22 | PA | D13598 | 4 | | 73-21-18 | GDX0003 | D.. | 2 | S2 | 4 | | |
| 67 | 24 | PK | D13598 | 65 | | 73-21-18 | TB0182X | A016 | BJ | S2 | 4 | | |
| 68 | 22 | PA | D13598 | 28 | | 73-21-18 | GDX0003 | D.. | 2 | S2 | 4 | | |
| 69 | 22 | PA | D13600 | 28 | | 73-21-18 | GDX0003 | D.. | 2 | S2 | 4 | | |
| 70 | 24 | PV | D13600 | 18 | | 80-11-11 | D08028J | 18 | | S2 | 4 | | |
| 070Z | | | D13600 | DED | | 80-11-11 | D08028J | DED | | S2 | | | |
| 71 | 24 | PV | D13600 | 40 | | 80-11-11 | D08028J | 19 | | S2 | 4 | | |
| 071Z | | | D13600 | DED | | 80-11-11 | D08028J | DED | | S2 | | | |
| 72 | 22 | PQ | D13598 | 36 | | 30-31-11 | GDX0003 | D.. | 2 | S2 | 4 | | |
| 072Z | | | D13598 | DED | | 30-31-11 | GDX0003 | DED | | S2 | | | |
| 73 | 24 | PV | D13598 | 1 | | 30-31-11 | TB0248Y | C013 | BJ | S2 | 4 | | |
| 073Z | | | D13598 | DED | | 30-31-11 | TB0248Y | DED | | S2 | | | |
| 74 | 24 | PV | D13600 | 1 | | 30-31-11 | TB0248Y | C013 | BJ | S2 | 4 | | |
| 074Z | | | D13600 | DED | | 30-31-11 | TB0248Y | DED | | S2 | | | |
| 75 | 22 | PQ | D13600 | 36 | | 30-31-11 | GDX0005 | D.. | 2 | S2 | 4 | | |
| 075Z | | | D13600 | DED | | 30-31-11 | GDX0005 | DED | | S2 | | | |
| 76 | 24 | PK | D13598 | 32 | | 30-34-21 | TB0248X | D002 | BJ | S2 | 4 | | |
| 77 | 22 | PA | D13598 | 62 | | 30-34-21 | GDX0005 | D.. | 2 | S2 | 4 | | |
| 78 | 22 | PA | D13598 | 50 | | 30-31-21 | GDX0005 | D.. | 2 | S2 | 4 | | |
| 79 | 24 | PK | D13598 | 57 | | 30-31-21 | TB0248Y | A014 | BJ | S2 | 4 | | |
| 80 | 24 | PK | D13600 | 57 | | 30-31-21 | TB0248Y | A014 | BJ | S2 | 4 | | |

286T1114-211
Wire Bundle Assembly
Figure 119 (Sheet 3)

25-71-01

| WIRE | | | FROM EQUIPMENT | | | TO EQUIPMENT | | | WIRE INFO | | | | |
|--------|----|-----|----------------|---------|----------|--------------|---------|---------|-----------|-------|-------------|--|--|
| NUMBER | GA | TYP | NUMBER | TERM TT | WDM REF | NUMBER | TERM TT | EMC/SEP | FT | NOTES | EFFECTIVITY | | |
| 81 | 22 | PA | D13600 | 50 | 30-31-21 | GDX0005 | D.. 2 | S2 | 4 | | | | |
| 82 | 24 | PV | D13600 | 32 | 30-34-11 | TB0248X | C002 BJ | S2 | 4 | | | | |
| 082Z | | | D13600 | DED | 30-34-11 | TB0248X | DED | S2 | | | | | |
| 83 | 22 | PQ | D13600 | 62 | 30-34-11 | GDX0005 | D.. 2 | S2 | 4 | | | | |
| 083Z | | | D13600 | DED | 30-34-11 | GDX0005 | DED | S2 | | | | | |
| 84 | 24 | PK | D13598 | 18 | 80-11-21 | D08036J | 20 | S2 | 4 | | | | |
| 85 | 24 | PK | D13598 | 40 | 80-11-21 | D08036J | 21 | S2 | 4 | | | | |
| 86 | 22 | PA | D13598 | 31 | 73-21-18 | GDX0003 | D.. 2 | S2 | 4 | | | | |
| 87 | 24 | PK | D13598 | 34 | 24-51-52 | TB0248X | A015 BJ | S2 | 4 | | | | |
| 88 | 24 | PK | D13598 | 27 | 24-51-52 | TB0248X | B015 BJ | S2 | 4 | | | | |
| 89 | 24 | PK | D13600 | 27 | 24-51-52 | TB0248X | C015 BJ | S2 | 4 | | | | |
| 90 | 24 | PK | D13600 | 34 | 24-51-52 | TB0248X | D015 BJ | S2 | 4 | | | | |
| 91 | 24 | PK | D08028J | 20 | 73-21-15 | TB0158Y | C008 BJ | S2 | 3 | | | | |
| 92 | 24 | PV | D13598 | 5 | 73-21-11 | TB0182X | A027 BJ | S2 | 4 | | | | |
| 092F | 20 | UA | D13598 | | 73-21-11 | GDX0004 | S.. 2 | S2 | 4 | | | | |
| 092Z | | | D13598 | | 73-21-11 | TB0182X | B027 BJ | S2 | | | | | |
| 93 | 24 | PV | D13598 | 12 | 73-21-11 | TB0182Y | C006 BJ | S2 | 4 | | | | |
| 093F | 20 | UA | D13598 | | 73-21-11 | GDX0004 | S.. 2 | S2 | 4 | | | | |
| 093Z | | | D13598 | | 73-21-11 | TB0182Y | C004 BJ | S2 | | | | | |
| 94 | 24 | PV | D13600 | 5 | 73-21-11 | TB0182X | C027 BJ | S2 | 4 | | | | |
| 094F | 20 | UA | D13600 | | 73-21-11 | GDX0004 | S.. 2 | S2 | 4 | | | | |
| 094Z | | | TB0182X | D027 BJ | 73-21-11 | D13600 | | S2 | | | | | |
| 95 | 24 | PV | D13600 | 12 | 73-21-11 | TB0182Y | A007 BJ | S2 | 4 | | | | |
| 095F | 20 | UA | D13600 | | 73-21-11 | GDX0004 | S.. 2 | S2 | 4 | | | | |
| 095Z | | | TB0182Y | C007 BJ | 73-21-11 | D13600 | | S2 | | | | | |
| 96 | 24 | PV | D08028J | 4 | 73-21-11 | TB0182Y | A007 BJ | S2 | 3 | | | | |
| 096Z | | | D08028J | 5 | 73-21-11 | TB0182Y | C007 BJ | S2 | | | | | |
| 101 | 24 | PK | D13600 | 6 | 73-21-18 | TB0182X | D011 BJ | S2 | 4 | | | | |
| 102 | 22 | PA | D13600 | 15 | 73-21-18 | GDX0005 | D.. 2 | S2 | 4 | | | | |
| 105 | 22 | PA | D13598 | 15 | 73-21-18 | GDX0005 | D.. 2 | S2 | 4 | | | | |
| 106 | 24 | PK | D13598 | 6 | 73-21-18 | TB0182X | A012 BJ | S2 | 4 | | | | |
| 107 | 22 | PA | D13600 | 48 | 80-11-11 | GDX0005 | D.. 2 | S2 | 4 | | | | |
| 108 | 22 | PA | D13600 | 39 | 80-11-11 | GDX0005 | D.. 2 | S2 | 4 | | | | |
| 109 | 22 | PA | D13598 | 48 | 80-11-21 | GDX0005 | D.. 2 | S2 | 4 | | | | |

286T1114-211
Wire Bundle Assembly
Figure 119 (Sheet 4)

25-71-01



BOEING
COMPONENT
MAINTENANCE MANUAL

| WIRE | | | FROM EQUIPMENT | | | | TO EQUIPMENT | | | | WIRE INFO | | | |
|--------|----|-----|----------------|------|----|----------|--------------|------|----|---------|-----------|-------|--------------------------|--|
| NUMBER | GA | TYP | NUMBER | TERM | TT | WDM REF | NUMBER | TERM | TT | EMC/SEP | FT | NOTES | EFFECTIVITY | |
| 110 | 22 | PA | D13598 | 39 | | 80-11-21 | GDX0005 | D.. | 2 | S2 | 4 | | | |
| 111 | 22 | PA | D08036J | 24 | | 21-58-11 | TB0158F | A011 | 2 | S2 | 3 | | | |
| 112 | 24 | PK | D08028J | 21 | | 21-58-14 | TB0158G | 27 | 2 | S2 | 2 | | | |
| 113 | 24 | PK | D08036J | 22 | | 21-58-15 | TB0182X | C016 | BJ | S2 | 3 | | | |
| 114 | 24 | PK | D08036J | 23 | | 21-58-11 | TB0158F | C011 | 2 | S2 | 3 | | | |
| 115 | 24 | PK | D08028J | 23 | | 21-58-11 | TB0182Y | A001 | BJ | S2 | 3 | | | |
| 116 | 24 | PK | D08028J | 24 | | 21-58-11 | TB0182Y | C002 | BJ | S2 | 3 | | | |
| 117 | 24 | PK | D08028J | 22 | | 21-58-11 | TB0158Y | C001 | BJ | S2 | 4 | | | |
| 119 | 24 | PK | TB0182D | C025 | 2 | 27-58-21 | TB0182D | C026 | 2 | S2 | 3 | | | |
| 120 | 24 | PK | TB0182D | C019 | 2 | 27-58-21 | TB0182D | C020 | 2 | S2 | 3 | | | |
| 121 | 24 | PK | D02674 | 52 | | 27-51-31 | TB0158X | A023 | BJ | S2 | 4 | | | |
| 134 | 22 | PA | TB0182D | C020 | 2 | 28-31-12 | D08028J | 16 | | S2 | 2 | | | |
| 134 | 22 | PA | TB0182D | CAP | Y | 28-31-12 | D08028J | 16 | | S2 | 2 | | VN116-VN117 | |
| 201B | 24 | PL | D02674 | 18 | | 27-51-31 | TB0158F | A019 | 2 | S2 | 4 | | VN118-VN124, VN130-VN132 | |
| 201R | 24 | PL | D02674 | 17 | | 27-51-31 | TB0158F | C019 | 2 | S2 | 2 | | | |
| 202B | 22 | PB | D02674 | 9 | | 27-58-21 | D08028J | 9 | | S2 | 4 | | | |
| 202R | 22 | PB | D02674 | 10 | | 27-58-21 | D08028J | 10 | | S2 | 4 | | | |
| 205B | 22 | PB | D02674 | 35 | | 27-58-21 | D08028J | 11 | | S2 | 4 | | | |
| 205R | 22 | PB | D02674 | 31 | | 27-58-21 | D08028J | 12 | | S2 | 4 | | | |
| 206B | 24 | PW | D02246 | 21 | | 29-11-32 | D08036J | 10 | | S2 | 4 | | | |
| 206R | 24 | PW | D02246 | 20 | | 29-11-32 | D08036J | 9 | | S2 | 2 | | | |
| 206Z | 24 | PW | D02246 | 20 | | 29-11-32 | D08036J | 2 | | S2 | 4 | | | |
| 207B | 24 | PL | D02674 | 21 | | 27-32-11 | D04885J | 3 | | S2 | 4 | | | |
| 207R | 24 | PL | D02674 | 19 | | 27-32-11 | D04885J | 2 | | S2 | 4 | | | |
| 211B | 24 | PW | D13600 | 13 | | 77-12-13 | TB0182X | C018 | BJ | S2 | 4 | | | |
| 211F | 20 | UA | D13600 | | | 77-12-13 | GDX0004 | S.. | 2 | S2 | 4 | | | |
| 211R | 24 | PW | D13600 | 9 | | 77-12-13 | TB0182X | B018 | BJ | S2 | 2 | | | |
| 211Z | 24 | PW | D13600 | | | 77-12-13 | TB0182X | A018 | BJ | S2 | 2 | | | |
| 212B | 24 | PW | D13600 | 20 | | 77-12-13 | TB0182X | C017 | BJ | S2 | 4 | | | |
| 212R | 24 | PW | D13600 | 21 | | 77-12-13 | TB0182X | B017 | BJ | S2 | 2 | | | |
| 212Z | 24 | PW | D13600 | | | 77-12-13 | TB0182X | A017 | BJ | S2 | 2 | | | |
| 213B | 24 | PW | D13598 | 13 | | 77-12-13 | TB0182X | C014 | BJ | S2 | 4 | | | |
| 213F | 20 | UA | D13598 | | | 77-12-13 | GDX0004 | S.. | 2 | S2 | 4 | | | |
| 213R | 24 | PW | D13598 | 9 | | 77-12-13 | TB0182X | B014 | BJ | S2 | 2 | | | |

286T1114-211
Wire Bundle Assembly
Figure 119 (Sheet 5)

25-71-01

| WIRE | | | FROM EQUIPMENT | | | | TO EQUIPMENT | | | | WIRE INFO | | | |
|--------|----|-----|----------------|------|----|----------|--------------|------|----|---------|-----------|-------|-------------|--|
| NUMBER | GA | TYP | NUMBER | TERM | TT | WDM REF | NUMBER | TERM | TT | EMC/SEP | FT | NOTES | EFFECTIVITY | |
| 213Z | | | TB0182X | A014 | BJ | 77-12-13 | D13598 | C013 | BJ | S2 | 4 | | | |
| 214B | 24 | PW | D13598 | 20 | | 77-12-13 | TB0182X | | | S2 | | | | |
| 214R | 24 | PW | D13598 | 21 | | 77-12-13 | TB0182X | B013 | BJ | S2 | | | | |
| 214Z | | | TB0182X | A013 | BJ | 77-12-13 | D13598 | | | S2 | | | | |
| 301B | 24 | PM | D02674 | 12 | | 27-58-21 | D08028J | 6 | | S2 | 4 | | | |
| 301R | 24 | PM | D02674 | 13 | | 27-58-21 | D08028J | 7 | | S2 | | | | |
| 301Y | 24 | PM | D02674 | 11 | | 27-58-21 | D08028J | 8 | | S2 | | | | |
| 304B | 24 | PM | D02674 | 32 | | 27-58-21 | D08028J | 13 | | S2 | 4 | | | |
| 304R | 24 | PM | D02674 | 33 | | 27-58-21 | D08028J | 14 | | S2 | | | | |
| 304Y | 24 | PM | D02674 | 34 | | 27-58-21 | D08028J | 15 | | S2 | | | | |

286T1114-211
 Wire Bundle Assembly
 Figure 119 (Sheet 6)

25-71-01

TESTING & FAULT ISOLATION
 01 Page 154X
 Nov 01/02



BOEING
COMPONENT
MAINTENANCE MANUAL

| WIRE | | FROM EQUIPMENT | | | TO EQUIPMENT | | | WIRE INFO | | | | | |
|--------|----|----------------|---------|------|--------------|----------|---------|-----------|----|---------|----|--------|---|
| NUMBER | GA | TYP | NUMBER | TERM | TT | WDM REF | NUMBER | TERM | TT | EMC/SEP | FT | NOTES | EFFECTIVITY |
| FRA | | | D08038J | | | 28-21-12 | D08038J | 2 | | S2 | | | |
| FRB | | | D08038J | | | 28-21-12 | D08038J | 7 | | S2 | | | |
| FRC | | | D08038J | | | 28-21-12 | D08038J | 9 | | S2 | | | |
| FRD | | | D08038J | | | 28-21-12 | D08038J | 3 | | S2 | | | |
| FRE | | | D08038J | | | 28-21-12 | D08038J | 10 | | S2 | | | |
| FRF | | | D08038J | | | 28-21-12 | D08038J | 12 | | S2 | | | |
| PAL | | | D02674 | 47 | | 99-99-99 | D02674 | 66 | | S2 | | DAW-B2 | VF011-VF011, VK081-VK089, VN051-VN054, VN081-VN085 |
| PA1 | | | D02674 | 47 | | 27-58-21 | D02674 | 64 | | S2 | | DAW-B2 | VN086-VN110VS186-VS187 |
| PB1 | | | D01882 | 1 | | 99-99-99 | D01882 | 41 | | S2 | | DAW-B2 | |
| PC1 | | | D02246 | 2 | | 99-99-99 | D02246 | 26 | | S2 | | DAW-B2 | |
| PD1 | | | D10062 | 19 | | 73-21-18 | D10062 | 52 | | S2 | 2 | DAW-B2 | |
| PE1 | | | D10064 | 19 | | 73-21-18 | D10064 | 52 | | S2 | 2 | DAW-B2 | |
| 1 | 22 | PA | D01882 | 19 | | 28-21-12 | D08036J | 6 | | S2 | 4 | | VF011-VF011, VK081-VK089, VN051-VN054, VN081-VN097, VN103-VN110 |
| 1 | 22 | PA | D01882 | 19 | | 28-21-12 | D08036J | 6 | | S2 | 2 | | VN098-VN102, VS186-VS187 |
| 2 | 22 | PA | D10062 | 16 | | 21-51-11 | GDX0005 | D.. | 2 | S2 | 4 | | VF011-VF011, VK081-VK089, VN051-VN054, VN081-VN097, VN103-VN110 |
| 2 | 22 | PA | D10062 | 16 | | 21-51-11 | GDX0005 | D.. | 2 | S2 | 2 | | VN098-VN102, VS186-VS187 |
| 3 | 24 | PK | D10062 | 26 | | 21-51-11 | TB0158Y | A005 | EJ | S2 | 4 | | VF011-VF011, VK081-VK089, VN051-VN054, VN081-VN097, VN103-VN110 |
| 3 | 24 | PK | D10062 | 26 | | 21-51-11 | TB0158Y | A005 | EJ | S2 | 3 | | VN098-VN102, VS186-VS187 |
| 4 | 24 | PK | D10062 | 25 | | 21-51-11 | TB0158Y | C006 | EJ | S2 | 4 | | VF011-VF011, VK081-VK089, VN051-VN054, VN081-VN097, VN103-VN110 |
| 4 | 24 | PK | D10062 | 25 | | 21-51-11 | TB0158Y | C006 | EJ | S2 | 3 | | VN098-VN102, VS186-VS187 |
| 5 | 24 | PK | D10064 | 26 | | 21-51-21 | TB0158Y | C007 | EJ | S2 | 4 | | VF011-VF011, VK081-VK089, VN051-VN054, VN081-VN097, VN103-VN110 |
| 5 | 24 | PK | D10064 | 26 | | 21-51-21 | TB0158Y | C007 | EJ | S2 | 3 | | VN098-VN102, VS186-VS187 |
| 6 | 24 | PK | D10064 | 25 | | 21-51-21 | TB0158Y | A008 | EJ | S2 | 4 | | VF011-VF011, VK081-VK089, VN051-VN054, VN081-VN097, VN103-VN110 |
| 6 | 24 | PK | D10064 | 25 | | 21-51-21 | TB0158Y | A008 | EJ | S2 | 3 | | VN098-VN102, VS186-VS187 |
| 7 | 22 | PA | D10064 | 16 | | 21-51-21 | GDX0005 | D.. | 2 | S2 | 4 | | VF011-VF011, VK081-VK089, VN051-VN054, VN081-VN097, VN103-VN110 |
| 7 | 22 | PA | D10064 | 16 | | 21-51-21 | GDX0005 | D.. | 2 | S2 | 2 | | VN098-VN102, VS186-VS187 |

286T1114-301
Wire Bundle Assembly
Figure 120 (Sheet 1)

25-71-01

| WIRE | | | FROM EQUIPMENT | | | | TO EQUIPMENT | | | | WIRE INFO | | | |
|--------|----|-----|----------------|------|----|----------|--------------|------|----|-------------|-----------|--------|---|--|
| NUMBER | GA | TYP | NUMBER | TERM | TT | WDM REF | NUMBER | TERM | TT | EMC/ SEP | FT | NOTES | EFFECTIVITY | |
| 8 | 22 | PA | D01882 | 3 | | 28-21-12 | D08036J | 5 | | S2 | 4 | | VF011-VF011, VK081-VK089, VN051-VN054, VN081-VN097, VN103-VN110 | |
| 8 | 22 | PA | D01882 | 3 | | 28-21-12 | D08036J | 5 | | S2 | 2 | | VN098-VN102, VS186-VS187 | |
| 9 | 22 | PA | D01882 | 6 | | 28-21-12 | D08036J | 4 | | S2 | 4 | | VF011-VF011, VK081-VK089, VN051-VN054, VN081-VN097, VN103-VN110 | |
| 9 | 22 | PA | D01882 | 6 | | 28-21-12 | D08036J | 4 | | S2 | 2 | | VN098-VN102, VS186-VS187 | |
| 10 | 22 | PA | D01882 | 5 | | 28-21-12 | GDX0003 | D.. | 2 | S2 | 4 | BAB-T6 | VF011-VF011, VK081-VK089, VN051-VN054, VN081-VN097, VN103-VN110 | |
| 10 | 22 | PA | D01882 | 5 | | 28-21-12 | GDX0003 | D.. | 2 | S2 | 2 | BAB-T6 | VN098-VN102, VS186-VS187 | |
| 11 | 22 | PA | D10062 | 49 | | 21-58-11 | GDX0004 | D.. | 2 | S2 | 4 | | VF011-VF011, VK081-VK089, VN051-VN054, VN081-VN097, VN103-VN110 | |
| 11 | 22 | PA | D10062 | 49 | | 21-58-11 | GDX0004 | D.. | 2 | S2 | 2 | | VN098-VN102, VS186-VS187 | |
| 12 | 24 | PK | D10062 | 56 | | 21-58-11 | D10064 | 56 | | S2 | 4 | | VF011-VF011, VK081-VK089, VN051-VN054, VN081-VN097, VN103-VN110 | |
| 12 | 24 | PK | D10062 | 56 | | 21-58-11 | D10064 | 56 | | S2 | 1 | | VN098-VN102, VS186-VS187 | |
| 13 | 22 | PA | TE0182D | A025 | 2 | 22-24-11 | D04885J | 1 | | S2 | 3 | | VF011-VF011, VK081-VK089, VN051-VN054, VN081-VN097, VN103-VN110 | |
| 13 | 22 | PA | TE0182D | A025 | 2 | 22-24-11 | D04885J | 1 | | S2 | 2 | | VN098-VN102, VS186-VS187 | |
| 14 | 24 | PK | D02674 | 22 | | 22-12-31 | D04885J | 6 | | S2 | 4 | | VF011-VF011, VK081-VK089, VN051-VN054, VN081-VN097, VN103-VN110 | |
| 14 | 24 | PK | D02674 | 22 | | 22-12-31 | D04885J | 6 | | S2 | 2 | | VN098-VN102, VS186-VS187 | |
| 15 | 24 | PK | D02674 | 23 | | 22-12-31 | D04885J | 7 | | S2 | 4 | | VF011-VF011, VK081-VK089, VN051-VN054, VN081-VN097, VN103-VN110 | |
| 15 | 24 | PK | D02674 | 23 | | 22-12-31 | D04885J | 7 | | S2 | 2 | | VN098-VN102, VS186-VS187 | |
| 16 | 24 | PK | TE0248X | A002 | BJ | 21-58-11 | D10064 | 49 | | S2 | 4 | | VF011-VF011, VK081-VK089, VN051-VN054, VN081-VN097, VN103-VN110 | |
| 16 | 24 | PK | TE0248X | A002 | BJ | 21-58-11 | D10064 | 49 | | S2 | 3 | | VN098-VN102, VS186-VS187 | |
| 17 | 22 | PA | D02674 | 8 | | 27-58-21 | GDX0003 | A.. | 2 | S2 | 4 | | VF011-VF011, VK081-VK089, VN051-VN054, VN081-VN097, VN103-VN110 | |
| 17 | 22 | PA | D02674 | 8 | | 27-58-21 | GDX0003 | A.. | 2 | S2 | 2 | | VN098-VN102, VS186-VS187 | |
| 18 | 22 | PA | D10064 | 17 | | 36-11-51 | GDX0004 | D.. | 2 | S2 | 3 | | VF011-VF011, VK081-VK089, VN051-VN054, VN081-VN097, VN103-VN110 | |
| 18 | 22 | PA | D10064 | 17 | | 36-11-51 | GDX0004 | D.. | 2 | S2 | 2 | | VN098-VN102, VS186-VS187 | |

286T1114-301
Wire Bundle Assembly
Figure 120 (Sheet 2)

25-71-01



BOEING
COMPONENT
MAINTENANCE MANUAL

| WIRE | | | FROM EQUIPMENT | | | | TO EQUIPMENT | | | | WIRE INFO | | | |
|--------|----|-----|----------------|---------|----------|---------|--------------|---------|----|--------|---|--|--|--|
| NUMBER | GA | TYP | NUMBER | TERM TT | WDM REF | NUMBER | TERM TT | EMC/SEP | FT | NOTES | EFFECTIVITY | | | |
| 19 | 22 | PA | D02674 | 7 | 27-58-21 | D08028J | 1 | S2 | 4 | | VF011-VF011, VK081-VK089, VN051-VN054, VN081-VN097, VN103-VN110 | | | |
| 19 | 22 | PA | D02674 | 7 | 27-58-21 | D08028J | 1 | S2 | 2 | | VN098-VN102, VS186-VS187 | | | |
| 20 | 22 | PQ | D01882 | 9 | 28-21-12 | D08038J | 11 | S2 | 4 | JAB-T6 | VF011-VF011, VK081-VK089, VN051-VN054, VN081-VN097, VN103-VN110 | | | |
| 20 | 22 | PQ | D01882 | 9 | 28-21-12 | D08038J | 11 | S2 | 2 | JAB-T6 | VN098-VN102, VS186-VS187 | | | |
| 020Z | 21 | PQ | D01882 | 8 | 28-21-12 | D08038J | 6 | S2 | 4 | JAB-T6 | VF011-VF011, VK081-VK089, VN051-VN054, VN081-VN097, VN103-VN110 | | | |
| 21 | 22 | PQ | D01882 | 16 | 28-21-12 | D08038J | 6 | S2 | 2 | JAB-T6 | VN098-VN102, VS186-VS187 | | | |
| 21 | 22 | PQ | D01882 | 16 | 28-21-12 | D08038J | 6 | S2 | 2 | JAB-T6 | VF011-VF011, VK081-VK089, VN051-VN054, VN081-VN097, VN103-VN110 | | | |
| 021Z | 22 | PK | D02674 | 38 | 22-12-31 | D04885J | 8 | S2 | 4 | | VF011-VF011, VK081-VK089, VN051-VN054, VN081-VN097, VN103-VN110 | | | |
| 22 | 24 | PK | D02674 | 38 | 22-12-31 | D04885J | 8 | S2 | 2 | | VN098-VN102, VS186-VS187 | | | |
| 23 | 24 | PK | D02674 | 39 | 22-12-31 | D04885J | 9 | S2 | 4 | | VF011-VF011, VK081-VK089, VN051-VN054, VN081-VN097, VN103-VN110 | | | |
| 23 | 24 | PK | D02674 | 39 | 22-12-31 | D04885J | 9 | S2 | 2 | | VN098-VN102, VS186-VS187 | | | |
| 24 | 22 | PQ | D01882 | 12 | 28-21-12 | D08038J | 8 | S2 | 4 | JAB-T6 | VF011-VF011, VK081-VK089, VN051-VN054, VN081-VN097, VN103-VN110 | | | |
| 024Z | 24 | PK | D01882 | 13 | 28-21-12 | D08038J | 8 | S2 | 2 | JAB-T6 | VN098-VN102, VS186-VS187 | | | |
| 25 | 22 | PQ | D01882 | 15 | 28-21-12 | D08038J | 4 | S2 | 4 | JAB-T6 | VF011-VF011, VK081-VK089, VN051-VN054, VN081-VN097, VN103-VN110 | | | |
| 25 | 22 | PQ | D01882 | 15 | 28-21-12 | D08038J | 4 | S2 | 2 | JAB-T6 | VN098-VN102, VS186-VS187 | | | |
| 025Z | 26 | PA | D02674 | 43 | 27-58-21 | GDX0003 | D.. | S2 | 4 | | VF011-VF011, VK081-VK089, VN051-VN054, VN081-VN097, VN103-VN110 | | | |
| 26 | 22 | PA | D02674 | 43 | 27-58-21 | GDX0003 | D.. | S2 | 2 | | VN098-VN102, VS186-VS187 | | | |
| 27 | 24 | PK | D02674 | 58 | 27-58-21 | TE0182D | C025 | S2 | 4 | | VF011-VF011, VK081-VK089, VN051-VN054, VN081-VN097, VN103-VN110 | | | |
| 27 | 24 | PK | D02674 | 58 | 27-58-21 | TE0182D | C025 | S2 | 3 | | VN098-VN102, VS186-VS187 | | | |
| 28 | 22 | PA | D10064 | 61 | 36-11-51 | TB0248X | B002 | S2 | 4 | | VF011-VF011, VK081-VK089, VN051-VN054, VN081-VN097, VN103-VN110 | | | |
| 28 | 22 | PA | D10064 | 61 | 36-11-51 | TB0248X | B002 | S2 | 3 | | VN098-VN102, VS186-VS187 | | | |

286T1114-301
Wire Bundle Assembly
Figure 120 (Sheet 3)

25-71-01

TESTING & FAULT ISOLATION
01 Page 155

Nov 01/02

| WIRE | | | FROM EQUIPMENT | | | | TO EQUIPMENT | | | | WIRE INFO | | | |
|--------|----|-----|----------------|------|----|----------|--------------|------|----|---------|-----------|-------|---|--|
| NUMBER | GA | TYP | NUMBER | TERM | TT | WDM REF | NUMBER | TERM | TT | EMC/SEP | FT | NOTES | EFFECTIVITY | |
| 29 | 22 | PA | TB0182D | A020 | 2 | 27-61-11 | D04895J | 5 | | S2 | 4 | | VF011-VF011, VK081-VK089, VN051-VN054, VN081-VN097, VN103-VN110 | |
| 29 | 22 | PA | TB0182D | A020 | 2 | 27-61-11 | D04895J | 5 | | S2 | 2 | | VN098-VN102, VS186-VS187 | |
| 30 | 20 | UA | D10062 | | | 77-12-12 | GDX0005 | S.. | 2 | S2 | 3 | | VF011-VF011, VK081-VK089, VN051-VN054, VN081-VN097, VN103-VN110 | |
| 30 | 20 | UA | D10062 | | | 77-12-12 | GDX0005 | S.. | 2 | S2 | 2 | | VN098-VN102, VS186-VS187 | |
| 31 | 20 | UA | D10062 | | | 77-12-12 | GDX0005 | S.. | 2 | S2 | 3 | | VF011-VF011, VK081-VK089, VN051-VN054, VN081-VN097, VN103-VN110 | |
| 31 | 20 | UA | D10062 | | | 77-12-12 | GDX0005 | S.. | 2 | S2 | 2 | | VN098-VN102, VS186-VS187 | |
| 32 | 24 | PK | TB0182D | C023 | 2 | 21-51-11 | D02674 | 24 | | S2 | 4 | | VF011-VF011, VK081-VK089, VN051-VN054, VN081-VN093 | |
| 32 | 24 | PK | TB0182F | A023 | 2 | 21-51-11 | D02674 | 24 | | S2 | 4 | | VN094-VN097, VN103-VN110 | |
| 32 | 24 | PK | TB0182F | A023 | 2 | 21-51-11 | D02674 | 24 | | S2 | 3 | | VN098-VN102, VS186-VS187 | |
| 33 | 24 | PK | TB0158F | C024 | 2 | 21-51-11 | D02674 | 27 | | S2 | 4 | | VF011-VF011, VK081-VK089, VN051-VN054, VN081-VN097, VN103-VN110 | |
| 33 | 24 | PK | TB0158F | C024 | 2 | 21-51-11 | D02674 | 27 | | S2 | 3 | | VN098-VN102, VS186-VS187 | |
| 34 | 22 | PA | D02246 | 16 | | 29-11-32 | D08036J | 1 | | S2 | 4 | | VF011-VF011, VK081-VK089, VN051-VN054, VN081-VN097, VN103-VN110 | |
| 34 | 22 | PA | D02246 | 16 | | 29-11-32 | D08036J | 1 | | S2 | 2 | | VN098-VN102, VS186-VS187 | |
| 35 | 22 | PA | D02246 | 13 | | 29-11-32 | D08036J | 7 | | S2 | 4 | | VF011-VF011, VK081-VK089, VN051-VN054, VN081-VN097, VN103-VN110 | |
| 35 | 22 | PA | D02246 | 13 | | 29-11-32 | D08036J | 7 | | S2 | 2 | | VN098-VN102, VS186-VS187 | |
| 36 | 22 | PA | D02246 | 10 | | 29-11-32 | D08036J | 3 | | S2 | 4 | | VF011-VF011, VK081-VK089, VN051-VN054, VN081-VN097, VN103-VN110 | |
| 36 | 22 | PA | D02246 | 10 | | 29-11-32 | D08036J | 3 | | S2 | 2 | | VN098-VN102, VS186-VS187 | |
| 37 | 22 | PA | D02246 | 1 | | 29-11-32 | GDX0003 | D.. | 2 | S2 | 4 | | VF011-VF011, VK081-VK089, VN051-VN054, VN081-VN097, VN103-VN110 | |
| 37 | 22 | PA | D02246 | 1 | | 29-11-32 | GDX0003 | D.. | 2 | S2 | 2 | | VN098-VN102, VS186-VS187 | |
| 38 | 22 | PA | D10062 | 17 | | 36-11-52 | GDX0004 | D.. | 2 | S2 | 3 | | VF011-VF011, VK081-VK089, VN051-VN054, VN081-VN097, VN103-VN110 | |
| 38 | 22 | PA | D10062 | 17 | | 36-11-52 | GDX0004 | D.. | 2 | S2 | 2 | | VN098-VN102, VS186-VS187 | |
| 39 | 20 | UA | D10064 | | | 77-12-12 | GDX0005 | S.. | 2 | S2 | 3 | | VF011-VF011, VK081-VK089, VN051-VN054, VN081-VN097, VN103-VN110 | |
| 39 | 20 | UA | D10064 | | | 77-12-12 | GDX0005 | S.. | 2 | S2 | 2 | | VN098-VN102, VS186-VS187 | |

286T1114-301
Wire Bundle Assembly
Figure 120 (Sheet 4)

25-71-01



BOEING
COMPONENT
MAINTENANCE MANUAL

| WIRE | | | FROM EQUIPMENT | | | TO EQUIPMENT | | | WIRE INFO | | | | |
|--------|----|-----|----------------|--------|----|--------------|---------|------|-----------|---------|----|-------|---|
| NUMBER | GA | TYP | NUMBER | TERM | TT | WDM REF | NUMBER | TERM | TT | EMC/SEP | FT | NOTES | EFFECTIVITY |
| 40 | 22 | PA | D02246 | 4 | | 29-11-32 | D08036J | 12 | | S2 | 4 | | VF011-VF011, VK081-VK089, VN051-VN054, VN081-VN097, VN103-VN110 |
| 40 | 22 | PA | D02246 | 4 | | 29-11-32 | D08036J | 12 | | S2 | 2 | | VN098-VN102, VS186-VS187 |
| 41 | 22 | PA | D02246 | 7 | | 29-11-32 | D08036J | 8 | | S2 | 4 | | VF011-VF011, VK081-VK089, VN051-VN054, VN081-VN097, VN103-VN110 |
| 41 | 22 | PA | D02246 | 7 | | 29-11-32 | D08036J | 8 | | S2 | 2 | | VN098-VN102, VS186-VS187 |
| 42 | 24 | PK | D02246 | 18 | | 29-11-32 | D08036J | 11 | | S2 | 4 | | VF011-VF011, VK081-VK089, VN051-VN054, VN081-VN097, VN103-VN110 |
| 42 | 24 | PK | D02246 | 18 | | 29-11-32 | D08036J | 11 | | S2 | 2 | | VN098-VN102, VS186-VS187 |
| 43 | 24 | PV | D02674 | 28 | | 31-51-41 | TB0248X | B001 | BJ | S2 | 5 | | VF011-VF011, VK085-VK089, VN051-VN054, VN081-VN097, VN103-VN110 |
| 43 | 24 | PV | D02674 | 28 | | 31-51-41 | TB0248Y | C003 | BJ | S2 | 5 | | VK081-VK084 |
| 043Z | 43 | 24 | PV | D02674 | 28 | | TB0248X | B001 | BJ | S2 | 3 | | VN098-VN102, VS186-VS187 |
| 44 | 24 | PK | D02674 | 29 | | 27-58-21 | TB0182D | C019 | 2 | S2 | 5 | | VF011-VF011, VK081-VK089, VN051-VN054, VN081-VN097, VN103-VN110 |
| 44 | 24 | PK | D02674 | 29 | | 27-58-21 | TB0182D | C019 | 2 | S2 | 3 | | VN098-VN102, VS186-VS187 |
| 45 | 22 | PA | D02246 | | | 29-11-32 | GDX0003 | S.. | 2 | S2 | 4 | | VF011-VF011, VK081-VK089, VN051-VN054, VN081-VN097, VN103-VN110 |
| 45 | 22 | PA | D02246 | | | 29-11-32 | GDX0003 | S.. | 2 | S2 | 2 | | VN098-VN102, VS186-VS187 |
| 46 | 24 | PK | D10062 | 59 | | 29-21-31 | D08036J | 18 | | S2 | 4 | | VF011-VF011, VK081-VK089, VN051-VN054, VN081-VN097, VN103-VN110 |
| 46 | 24 | PK | D10062 | 59 | | 29-21-31 | D08036J | 18 | | S2 | 2 | | VN098-VN102, VS186-VS187 |
| 47 | 24 | PK | D10062 | 30 | | 29-21-31 | D10064 | 59 | | S2 | 3 | | VF011-VF011, VK081-VK089, VN051-VN054, VN081-VN097, VN103-VN110 |
| 47 | 24 | PK | D10062 | 30 | | 29-21-31 | D10064 | 59 | | S2 | 1 | | VN098-VN102, VS186-VS187 |
| 48 | 24 | PK | D08036J | 19 | | 29-21-31 | D10064 | 30 | | S2 | 4 | | VF011-VF011, VK081-VK089, VN051-VN054, VN081-VN097, VN103-VN110 |
| 48 | 24 | PK | D08036J | 19 | | 29-21-31 | D10064 | 30 | | S2 | 2 | | VN098-VN102, VS186-VS187 |
| 49 | 20 | UA | D10064 | | | 77-12-12 | GDX0005 | S.. | 2 | S2 | 3 | | VF011-VF011, VK081-VK089, VN051-VN054, VN081-VN097, VN103-VN110 |
| 49 | 20 | UA | D10064 | | | 77-12-12 | GDX0005 | S.. | 2 | S2 | 2 | | VN098-VN102, VS186-VS187 |
| 50 | 22 | PA | D10062 | 2 | | 28-22-12 | GDX0003 | D.. | 2 | S2 | 4 | | VF011-VF011, VK081-VK089, VN051-VN054, VN081-VN097, VN103-VN110 |

286T1114-301
Wire Bundle Assembly
Figure 120 (Sheet 5)

25-71-01

| WIRE | | | FROM EQUIPMENT | | | | TO EQUIPMENT | | | | WIRE INFO | | | |
|--------|----|-----|----------------|------|----|----------|--------------|------|----|-------------|-----------|------------------|---|--|
| NUMBER | GA | TYP | NUMBER | TERM | TT | WDM REF | NUMBER | TERM | TT | EMC/ SEP | FT | NOTES | EFFECTIVITY | |
| 50 | 22 | PA | D10062 | 2 | | 28-22-12 | GDX0003 | D.. | 2 | S2 | 2 | | VN098-VN102, VS186-VS187 | |
| 51 | 24 | PK | D10062 | 37 | | 28-22-12 | TB0248X | D001 | BJ | S2 | 4 | | VF011-VF011, VK081-VK089, VN051-VN054, VN081-VN097, VN103-VN110 | |
| 51 | 24 | PK | D10062 | 37 | | 28-22-12 | TB0248X | D001 | BJ | S2 | 3 | | VN098-VN102, VS186-VS187 | |
| 52 | 24 | PK | D10064 | 37 | | 28-22-12 | D08036J | 13 | | S2 | 4 | | VF011-VF011, VK081-VK089, VN051-VN054, VN081-VN097, VN103-VN110 | |
| 52 | 24 | PK | D10064 | 37 | | 28-22-12 | D08036J | 13 | | S2 | 2 | | VN098-VN102, VS186-VS187 | |
| 53 | 22 | PA | D10064 | 2 | | 28-22-12 | GDX0003 | D.. | 2 | S2 | 4 | | VF011-VF011, VK081-VK089, VN051-VN054, VN081-VN097, VN103-VN110 | |
| 53 | 22 | PA | D10064 | 2 | | 28-22-12 | GDX0003 | D.. | 2 | S2 | 2 | | VN098-VN102, VS186-VS187 | |
| 54 | 24 | PK | D10064 | 47 | | 28-25-31 | D08036J | 14 | | S2 | 4 | | VF011-VF011, VK081-VK089, VN051-VN054, VN081-VN092 | |
| 55 | 22 | PA | D10062 | 61 | | 36-11-52 | TB0248X | B012 | BJ | S2 | 4 | | VF011-VF011, VK081-VK089, VN051-VN054, VN081-VN097, VN103-VN110 | |
| 55 | 22 | PA | D10062 | 61 | | 36-11-52 | TB0248X | B012 | BJ | S2 | 3 | | VN098-VN102, VS186-VS187 | |
| 56 | 24 | PK | D10064 | 46 | | 28-25-31 | D08036J | 15 | | S2 | 4 | | VF011-VF011, VK081-VK089, VN051-VN054, VN081-VN092 | |
| 60 | 24 | PK | D10062 | 63 | | 73-21-18 | D08028J | 2 | | S2 | 4 | | VF011-VF011, VK081-VK089, VN051-VN054, VN081-VN097, VN103-VN110 | |
| 60 | 24 | PK | D10062 | 63 | | 73-21-18 | D08028J | 2 | | S2 | 2 | | VN098-VN102, VS186-VS187 | |
| 61 | 24 | PK | D10064 | 63 | | 73-21-18 | D08028J | 3 | | S2 | 4 | | VF011-VF011, VK081-VK089, VN051-VN054, VN081-VN097, VN103-VN110 | |
| 61 | 24 | PK | D10064 | 63 | | 73-21-18 | D08028J | 3 | | S2 | 2 | | VN098-VN102, VS186-VS187 | |
| 62 | 24 | PV | D10062 | 8 | | 73-21-18 | D08036J | 16 | | S2 | 4 | | VF011-VF011, VK081-VK089, VN051-VN054 | |
| 62 | 24 | PV | D08036J | 16 | | 73-21-18 | TB0182Y | C003 | BJ | S2 | 4 | MLA-F2 MNT-T2 | VN081-VN084 | |
| 62 | 24 | PV | D08036J | 16 | | 73-21-18 | TB0182Y | C003 | BJ | S2 | 4 | | VN085-VN097, VN103-VN110 | |
| 62 | 24 | PV | D08036J | 16 | | 73-21-18 | TB0182Y | C003 | BJ | S2 | 2 | | VN098-VN102, VS186-VS187 | |
| 062Z | | | D10062 | DED | | 73-21-18 | D08036J | DED | | S2 | | | VF011-VF011, VK081-VK089, VN051-VN054 | |
| 062Z | | | D08036J | DED | | 73-21-18 | TB0182Y | DED | | S2 | | | VN081-VN110, VS186-VS187 | |
| 63 | 24 | PV | D10064 | 8 | | 73-21-18 | D08036J | 17 | | S2 | 4 | | VF011-VF011, VK081-VK089, VN051-VN054 | |
| 63 | 24 | PV | D08036J | 17 | | 73-21-18 | TB0182Y | A006 | BJ | S2 | 4 | MLA-F2 MNT-T2 | VN081-VN084 | |
| 63 | 24 | PV | D08036J | 17 | | 73-21-18 | TB0182Y | A006 | BJ | S2 | 4 | | VN085-VN097, VN103-VN110 | |

286T1114-301
Wire Bundle Assembly
Figure 120 (Sheet 6)

25-71-01



BOEING
COMPONENT
MAINTENANCE MANUAL

| WIRE | | FROM EQUIPMENT | | | | TO EQUIPMENT | | | | WIRE INFO | | | |
|--------|----|----------------|---------|------|----|--------------|---------|------|----|-----------|----|-------|---|
| NUMBER | GA | TYP | NUMBER | TERM | TT | WDM REF | NUMBER | TERM | TT | EMC/SEP | FT | NOTES | EFFECTIVITY |
| 63 | 24 | PV | D08036J | 17 | | 73-21-18 | TB0182Y | A006 | BJ | S2 | 2 | | VN098-VN102, VS186-VS187 |
| 063Z | | | D10064 | DED | | 73-21-18 | D08036J | DED | | S2 | | | VF011-VF011, VK081-VK089, VN051-VN054 |
| 063Z | | | D08036J | DED | | 73-21-18 | TB0182Y | DED | | S2 | | | VN081-VN110, VS186-VS187 |
| 64 | 22 | PA | D10064 | 4 | | 73-21-18 | GDX0003 | D.. | 2 | S2 | 4 | | VF011-VF011, VK081-VK089, VN051-VN054, VN081-VN097, VN103-VN110 |
| 64 | 22 | PA | D10064 | 4 | | 73-21-18 | GDX0003 | D.. | 2 | S2 | 2 | | VN098-VN102, VS186-VS187 |
| 66 | 22 | PA | D10062 | 4 | | 73-21-18 | GDX0003 | D.. | 2 | S2 | 4 | | VF011-VF011, VK081-VK089, VN051-VN054, VN081-VN097, VN103-VN110 |
| 66 | 22 | PA | D10062 | 4 | | 73-21-18 | GDX0003 | D.. | 2 | S2 | 2 | | VN098-VN102, VS186-VS187 |
| 68 | 22 | PA | D10062 | 28 | | 73-21-18 | GDX0003 | D.. | 2 | S2 | 4 | | VF011-VF011, VK081-VK089, VN051-VN054, VN081-VN097, VN103-VN110 |
| 68 | 22 | PA | D10062 | 28 | | 73-21-18 | GDX0003 | D.. | 2 | S2 | 2 | | VN098-VN102, VS186-VS187 |
| 69 | 22 | PA | D10064 | 28 | | 73-21-18 | GDX0003 | D.. | 2 | S2 | 4 | | VF011-VF011, VK081-VK089, VN051-VN054, VN081-VN097, VN103-VN110 |
| 69 | 22 | PA | D10064 | 28 | | 73-21-18 | GDX0003 | D.. | 2 | S2 | 2 | | VN098-VN102, VS186-VS187 |
| 70 | 24 | PV | D10064 | 18 | | 80-11-11 | D08028J | 18 | | S2 | 4 | | VF011-VF011, VK081-VK089, VN051-VN054, VN081-VN097, VN103-VN110 |
| 70 | 24 | PV | D10064 | 18 | | 80-11-11 | D08028J | 18 | | S2 | 2 | | VN098-VN102, VS186-VS187 |
| 070Z | | | D10064 | DED | | 80-11-11 | D08028J | DED | | S2 | | | VF011-VF011, VK081-VK089, VN051-VN054, VN081-VN097, VN103-VN110 |
| 71 | 24 | PV | D10064 | 40 | | 80-11-11 | D08028J | 19 | | S2 | 4 | | VN098-VN102, VS186-VS187 |
| 71 | 24 | PV | D10064 | 40 | | 80-11-11 | D08028J | 19 | | S2 | 2 | | VF011-VF011, VK081-VK089, VN051-VN054, VN081-VN097, VN103-VN110 |
| 071Z | | | D10064 | DED | | 80-11-11 | D08028J | DED | | S2 | | | VN098-VN102, VS186-VS187 |
| 72 | 22 | PQ | D10062 | 36 | | 30-31-11 | GDX0003 | D.. | 2 | S2 | 4 | | VF011-VF011, VK081-VK089, VN051-VN054, VN081-VN097, VN103-VN110 |
| 72 | 22 | PQ | D10062 | 36 | | 30-31-11 | GDX0003 | D.. | 2 | S2 | 2 | | VN098-VN102, VS186-VS187 |
| 072Z | | | D10062 | DED | | 30-31-11 | GDX0003 | DED | | S2 | | | VF011-VF011, VK081-VK089, VN051-VN054, VN081-VN097, VN103-VN110 |
| 73 | 24 | PV | D10062 | 1 | | 30-31-11 | TB0248Y | C013 | BJ | S2 | 4 | | VN098-VN102, VS186-VS187 |
| 73 | 24 | PV | D10062 | 1 | | 30-31-11 | TB0248Y | C013 | BJ | S2 | 3 | | VF011-VF011, VK081-VK089, VN051-VN054, VN081-VN097, VN103-VN110 |
| 073Z | | | D10062 | DED | | 30-31-11 | TB0248Y | DED | | S2 | | | VN098-VN102, VS186-VS187 |
| 74 | 24 | PV | D10064 | 1 | | 30-31-11 | TB0248Y | C013 | BJ | S2 | 4 | | VF011-VF011, VK081-VK089, VN051-VN054, VN081-VN097, VN103-VN110 |
| 74 | 24 | PV | D10064 | 1 | | 30-31-11 | TB0248Y | C013 | BJ | S2 | 3 | | VN098-VN102, VS186-VS187 |

286T1114-301
Wire Bundle Assembly
Figure 120 (Sheet 7)

25-71-01

| WIRE | | FROM EQUIPMENT | | | TO EQUIPMENT | | | WIRE INFO | | | | | |
|--------|----|----------------|--------|------|--------------|----------|---------|-----------|----|---------|----|-------|---|
| NUMBER | GA | TYP | NUMBER | TERM | TT | WDM REF | NUMBER | TERM | TT | EMC/SEP | FT | NOTES | EFFECTIVITY |
| 0742 | | | D10064 | DED | | 30-31-11 | TB0248Y | DED | | S2 | 4 | | VF011-VF011, VK081-VK089, VN051-VN054, VN081-VN097, VN103-VN110 |
| 75 | 22 | PQ | D10064 | 36 | | 30-31-11 | GDX0005 | D.. | 2 | S2 | 4 | | VN098-VN102, VS186-VS187 |
| 75 | 22 | PQ | D10064 | 36 | | 30-31-11 | GDX0005 | D.. | 2 | S2 | 2 | | |
| 075Z | | | D10064 | DED | | 30-31-11 | GDX0005 | DED | | S2 | | | |
| 78 | 22 | PA | D10062 | 50 | | 30-31-21 | GDX0005 | D.. | 2 | S2 | 4 | | VF011-VF011, VK081-VK089, VN051-VN054, VN081-VN097, VN103-VN110 |
| 78 | 22 | PA | D10062 | 50 | | 30-31-21 | GDX0005 | D.. | 2 | S2 | 2 | | |
| 79 | 24 | PK | D10062 | 57 | | 30-31-21 | TB0248Y | A014 | BJ | S2 | 4 | | VN098-VN102, VS186-VS187 |
| 79 | 24 | PK | D10062 | 57 | | 30-31-21 | TB0248Y | A014 | BJ | S2 | 3 | | |
| 80 | 24 | PK | D10064 | 57 | | 30-31-21 | TB0248Y | A014 | BJ | S2 | 4 | | VF011-VF011, VK081-VK089, VN051-VN054, VN081-VN097, VN103-VN110 |
| 80 | 24 | PK | D10064 | 57 | | 30-31-21 | TB0248Y | A014 | BJ | S2 | 3 | | |
| 81 | 22 | PA | D10064 | 50 | | 30-31-21 | GDX0005 | D.. | 2 | S2 | 4 | | VF011-VF011, VK081-VK089, VN051-VN054, VN081-VN097, VN103-VN110 |
| 81 | 22 | PA | D10064 | 50 | | 30-31-21 | GDX0005 | D.. | 2 | S2 | 2 | | |
| 84 | 24 | PK | D10062 | 18 | | 80-11-21 | D08036J | 20 | | S2 | 4 | | VN098-VN102, VS186-VS187 |
| 84 | 24 | PK | D10062 | 18 | | 80-11-21 | D08036J | 20 | | S2 | 2 | | |
| 85 | 24 | PK | D10062 | 40 | | 80-11-21 | D08036J | 21 | | S2 | 4 | | VF011-VF011, VK081-VK089, VN051-VN054, VN081-VN097, VN103-VN110 |
| 85 | 24 | PK | D10062 | 40 | | 80-11-21 | D08036J | 21 | | S2 | 2 | | |
| 87 | 24 | PK | D10062 | 34 | | 24-51-52 | TB0248X | A015 | BJ | S2 | 4 | | VF011-VF011, VK081-VK089, VN051-VN054, VN081-VN097, VN103-VN110 |
| 87 | 24 | PK | D10062 | 34 | | 24-51-52 | TB0248X | A015 | BJ | S2 | 2 | | |
| 88 | 24 | PK | D10062 | 27 | | 24-51-52 | TB0248X | B015 | BJ | S2 | 4 | | VF011-VF011, VK081-VK089, VN051-VN054, VN081-VN097, VN103-VN110 |
| 88 | 24 | PK | D10062 | 27 | | 24-51-52 | TB0248X | B015 | BJ | S2 | 3 | | |
| 89 | 24 | PK | D10064 | 27 | | 24-51-52 | TB0248X | C015 | BJ | S2 | 4 | | VF011-VF011, VK081-VK089, VN051-VN054, VN081-VN097, VN103-VN110 |
| 89 | 24 | PK | D10064 | 27 | | 24-51-52 | TB0248X | C015 | BJ | S2 | 3 | | |
| 90 | 24 | PK | D10064 | 34 | | 24-51-52 | TB0248X | D015 | BJ | S2 | 4 | | VF011-VF011, VK081-VK089, VN051-VN054, VN081-VN097, VN103-VN110 |

286T1114-301
Wire Bundle Assembly
Figure 120 (Sheet 8)

25-71-01



BOEING
COMPONENT
MAINTENANCE MANUAL

| WIRE | | | FROM EQUIPMENT | | | | TO EQUIPMENT | | | | WIRE INFO | | | |
|--------|----|-----|----------------|------|----|----------|--------------|------|----|---------|-----------|-------|---|--|
| NUMBER | GA | TYP | NUMBER | TERM | TT | WDM REF | NUMBER | TERM | TT | EMC/SEP | FT | NOTES | EFFECTIVITY | |
| 90 | 24 | PK | D10064 | 34 | | 24-51-52 | TB0248X | D015 | BJ | S2 | 3 | | VN098-VN102, VS186-VS187 | |
| 91 | 24 | PK | D08028J | 20 | | 73-21-15 | TB0158G | 10 | 2 | S2 | 3 | | VF011-VF011, VK081-VK089, VN051-VN054, VN081-VN097, VN103-VN110 | |
| 91 | 24 | PK | D08028J | 20 | | 73-21-15 | TB0158G | 10 | 2 | S2 | 2 | | VN098-VN102, VS186-VS187 | |
| 92 | 24 | PV | D10062 | 5 | | 73-21-11 | TB0182Y | A003 | BJ | S2 | 4 | | VF011-VF011, VK081-VK089, VN051-VN054 | |
| 92 | 24 | PV | D10062 | 5 | | 73-21-11 | TB0182Y | C003 | BJ | S2 | 4 | | VN081-VN092 | |
| 92 | 24 | PK | D10062 | 5 | | 73-21-11 | TB0182Y | C003 | BJ | S2 | 4 | | VN093-VN097, VN103-VN110 | |
| 92 | 24 | PK | D10062 | 5 | | 73-21-11 | TB0182Y | C003 | BJ | S2 | 3 | | VN098-VN102, VS186-VS187 | |
| 092Z | | | D10062 | | | 73-21-11 | TB0182Y | C003 | BJ | S2 | | | VF011-VF011, VK081-VK089, VN051-VN054 | |
| 092Z | | | D10062 | DED | | 73-21-11 | TB0182Y | DED | | S2 | | | VN081-VN092 | |
| 93 | 24 | PV | D10062 | 12 | | 73-21-11 | TB0248X | D002 | BJ | S2 | 4 | | VF011-VF011, VK081-VK089, VN051-VN054, VN081-VN092 | |
| 93 | 24 | PK | D10062 | 12 | | 73-21-11 | TB0248X | C001 | BJ | S2 | 4 | | VN093-VN097, VN103-VN110 | |
| 93 | 24 | PK | D10062 | 12 | | 73-21-11 | TB0248X | C001 | BJ | S2 | 3 | | VN098-VN102, VS186-VS187 | |
| 093Z | | | D10062 | | | 73-21-11 | TB0248X | C002 | BJ | S2 | | | VF011-VF011, VK081-VK089, VN051-VN054, VN081-VN092 | |
| 94 | 24 | PV | D10064 | 5 | | 73-21-11 | TB0182Y | A006 | BJ | S2 | 4 | | VF011-VF011, VK081-VK089, VN051-VN054, VN081-VN092 | |
| 94 | 24 | PK | D10064 | 5 | | 73-21-11 | TB0182Y | A006 | BJ | S2 | 4 | | VN093-VN097, VN103-VN110 | |
| 94 | 24 | PK | D10064 | 5 | | 73-21-11 | TB0182Y | A006 | BJ | S2 | 3 | | VN098-VN102, VS186-VS187 | |
| 094Z | | | D10064 | | | 73-21-11 | TB0182Y | C006 | BJ | S2 | | | VF011-VF011, VK081-VK089, VN051-VN054 | |
| 094Z | | | D10064 | DED | | 73-21-11 | TB0182Y | DED | | S2 | | | VN081-VN092 | |
| 95 | 24 | PV | D10064 | 12 | | 73-21-11 | TB0248X | E006 | BJ | S2 | 4 | | VF011-VF011, VK081-VK089, VN051-VN054, VN081-VN092 | |
| 95 | 24 | PK | D10064 | 12 | | 73-21-11 | TB0248Y | C003 | BJ | S2 | 4 | | VN093-VN097, VN103-VN110 | |
| 95 | 24 | PK | D10064 | 12 | | 73-21-11 | TB0248Y | C003 | BJ | S2 | 3 | | VN098-VN102, VS186-VS187 | |
| 095Z | | | D10064 | | | 73-21-11 | TB0248X | C006 | BJ | S2 | | | VF011-VF011, VK081-VK089, VN051-VN054, VN081-VN092 | |
| 99 | 20 | UA | D10062 | | | 73-21-11 | GDX0003 | S.. | 2 | S2 | 3 | | VF011-VF011, VK081-VK089, VN051-VN054, VN081-VN092 | |
| 100 | 20 | UA | D10064 | | | 73-21-11 | GDX0003 | S.. | 2 | S2 | 3 | | VF011-VF011, VK081-VK089, VN051-VN054, VN081-VN092 | |
| 101 | 24 | PK | D10064 | 6 | | 73-21-18 | TB0182X | A008 | BJ | S2 | 4 | | VF011-VF011, VK081-VK089, VN051-VN054, VN081-VN092, VN103-VN110 | |

286T1114-301
Wire Bundle Assembly
Figure 120 (Sheet 9)

25-71-01

| WIRE | | FROM EQUIPMENT | | | TO EQUIPMENT | | | WIRE INFO | | | | | |
|--------|----|----------------|---------|------|--------------|----------|---------|-----------|----|---------|----|-------|---|
| NUMBER | GA | TYP | NUMBER | TERM | TT | WDM REF | NUMBER | TERM | TT | EMC/SEP | FT | NOTES | EFFECTIVITY |
| 101 | 24 | PK | D10064 | 6 | | 73-21-18 | TB0182X | A008 | BJ | S2 | 3 | | VN098-VN102, VS186-VS187 |
| 102 | 22 | PA | D10064 | 15 | | 73-21-18 | GDX0005 | D.. | 2 | S2 | 4 | | VF011-VF011, VK081-VK089, VN051-VN054, VN081-VN097, VN103-VN110 |
| 102 | 22 | PA | D10064 | 15 | | 73-21-18 | GDX0005 | D.. | 2 | S2 | 2 | | VN098-VN102, VS186-VS187 |
| 105 | 22 | PA | D10062 | 15 | | 73-21-18 | GDX0005 | D.. | 2 | S2 | 3 | | VF011-VF011, VK081-VK089, VN051-VN054, VN081-VN097, VN103-VN110 |
| 105 | 22 | PA | D10062 | 15 | | 73-21-18 | GDX0005 | D.. | 2 | S2 | 2 | | VN098-VN102, VS186-VS187 |
| 106 | 24 | PK | D10062 | 6 | | 73-21-18 | TB0182X | B008 | BJ | S2 | 4 | | VF011-VF011, VK081-VK089, VN051-VN054, VN081-VN097, VN103-VN110 |
| 106 | 24 | PK | D10062 | 6 | | 73-21-18 | TB0182X | B008 | BJ | S2 | 3 | | VN098-VN102, VS186-VS187 |
| 107 | 22 | PA | D10064 | 48 | | 80-11-11 | GDX0005 | D.. | 2 | S2 | 4 | | VF011-VF011, VK081-VK089, VN051-VN054, VN081-VN097, VN103-VN110 |
| 107 | 22 | PA | D10064 | 48 | | 80-11-11 | GDX0005 | D.. | 2 | S2 | 2 | | VN098-VN102, VS186-VS187 |
| 108 | 22 | PA | D10064 | 39 | | 80-11-11 | GDX0005 | D.. | 2 | S2 | 4 | | VF011-VF011, VK081-VK089, VN051-VN054, VN081-VN097, VN103-VN110 |
| 108 | 22 | PA | D10064 | 39 | | 80-11-11 | GDX0005 | D.. | 2 | S2 | 2 | | VN098-VN102, VS186-VS187 |
| 109 | 22 | PA | D10062 | 48 | | 80-11-21 | GDX0005 | D.. | 2 | S2 | 4 | | VF011-VF011, VK081-VK089, VN051-VN054, VN081-VN097, VN103-VN110 |
| 109 | 22 | PA | D10062 | 48 | | 80-11-21 | GDX0005 | D.. | 2 | S2 | 2 | | VN098-VN102, VS186-VS187 |
| 110 | 22 | PA | D10062 | 39 | | 80-11-21 | GDX0005 | D.. | 2 | S2 | 4 | | VF011-VF011, VK081-VK089, VN051-VN054, VN081-VN097, VN103-VN110 |
| 110 | 22 | PA | D10062 | 39 | | 80-11-21 | GDX0005 | D.. | 2 | S2 | 2 | | VN098-VN102, VS186-VS187 |
| 111 | 22 | PA | D08036J | 24 | | 21-58-11 | TB0158F | A011 | 2 | S2 | 3 | | VF011-VF011, VK081-VK089, VN051-VN054, VN081-VN097, VN103-VN110 |
| 111 | 22 | PA | D08036J | 24 | | 21-58-11 | TB0158F | A011 | 2 | S2 | 2 | | VN098-VN102, VS186-VS187 |
| 112 | 24 | PK | D08028J | 21 | | 21-58-14 | TB0158G | 27 | 2 | S2 | 2 | | VF011-VF011, VK081-VK089, VN051-VN054, VN081-VN097, VN103-VN110 |
| 112 | 24 | PK | D08028J | 21 | | 21-58-14 | TB0158G | 27 | 2 | S2 | 2 | | VN098-VN102, VS186-VS187 |
| 113 | 24 | PK | D08036J | 22 | | 21-58-15 | TB0182X | C016 | BJ | S2 | 3 | | VF011-VF011, VK081-VK089, VN051-VN054, VN081-VN097, VN103-VN110 |
| 113 | 24 | PK | D08036J | 22 | | 21-58-15 | TB0182X | C016 | BJ | S2 | 2 | | VN098-VN102, VS186-VS187 |
| 114 | 24 | PK | D08036J | 23 | | 21-58-11 | TB0158F | C011 | 2 | S2 | 3 | | VF011-VF011, VK081-VK089, VN051-VN054, VN081-VN097, VN103-VN110 |
| 114 | 24 | PK | D08036J | 23 | | 21-58-11 | TB0158F | C011 | 2 | S2 | 2 | | VN098-VN102 |

286T1114-301
Wire Bundle Assembly
Figure 120 (Sheet 10)

25-71-01



BOEING
COMPONENT
MAINTENANCE MANUAL

| WIRE | | FROM EQUIPMENT | | | | TO EQUIPMENT | | | | WIRE INFO | | | |
|--------|----|----------------|---------|------|----|--------------|---------|------|----|-----------|----|------------------|---|
| NUMBER | GA | TYP | NUMBER | TERM | TT | WDM REF | NUMBER | TERM | TT | EMC/SEP | FT | NOTES | EFFECTIVITY |
| 115 | 24 | PK | D08028J | 23 | | 21-58-11 | TB0182Y | A001 | BJ | S2 | 3 | | VF011-VF011, VK081-VK089, VN051-VN054, VN081-VN097, VN103-VN110 |
| 115 | 24 | PK | D08028J | 23 | | 21-58-11 | TB0182Y | A001 | BJ | S2 | 1 | | VN098-VN102, VS186-VS187 |
| 116 | 24 | PK | D08028J | 24 | | 21-58-11 | TB0182Y | C002 | BJ | S2 | 3 | | VF011-VF011, VK081-VK089, VN051-VN054, VN081-VN097, VN103-VN110 |
| 116 | 24 | PK | D08028J | 24 | | 21-58-11 | TB0182Y | C002 | BJ | S2 | 1 | | VN098-VN102, VS186-VS187 |
| 117 | 24 | PK | D08028J | 22 | | 21-58-11 | TB0158Y | C003 | BJ | S2 | 3 | | VF011-VF011, VN086-VN097, VN103-VN110 |
| 117 | 24 | PK | D08028J | 22 | | 21-58-11 | TB0158G | 2 | 2 | S2 | 3 | | VK081-VK089, VN051-VN054, VN081-VN085 |
| 117 | 24 | PK | D08028J | 22 | | 21-58-11 | TB0158Y | C003 | BJ | S2 | 2 | | VN098-VN102, VS186-VS187 |
| 119 | 24 | PK | TB0182D | C025 | 2 | 27-58-21 | TB0182D | C026 | 2 | S2 | 3 | | VF011-VF011, VK081-VK089, VN051-VN054, VN081-VN097, VN103-VN110 |
| 119 | 24 | PK | TB0182D | C025 | 2 | 27-58-21 | TB0182D | C026 | 2 | S2 | 3 | | VN098-VN102, VS186-VS187 |
| 120 | 24 | PK | TB0182D | C019 | 2 | 27-58-21 | TB0182D | C020 | 2 | S2 | 3 | | VF011-VF011, VK081-VK089, VN051-VN054, VN081-VN097, VN103-VN110 |
| 120 | 24 | PK | TB0182D | C019 | 2 | 27-58-21 | TB0182D | C020 | 2 | S2 | 3 | | VN098-VN102, VS186-VS187 |
| 121 | 24 | PK | D02674 | 52 | | 27-51-31 | TB0158F | A024 | 2 | S2 | 4 | | VF011-VF011, VK081-VK089, VN051-VN054, VN081-VN097, VN103-VN110 |
| 121 | 24 | PK | D02674 | 52 | | 27-51-31 | TB0158F | A024 | 2 | S2 | 3 | | VN098-VN102, VS186-VS187 |
| 122 | 20 | UA | D10062 | | | 73-21-11 | GDX0003 | S.. | 2 | S2 | 3 | | VF011-VF011, VK081-VK089, VN051-VN054 |
| 123 | 20 | UA | D10064 | | | 73-21-11 | GDX0003 | S.. | 2 | S2 | 3 | | VF011-VF011, VK081-VK089, VN051-VN054 |
| 128 | 24 | PV | D10062 | 8 | | 73-21-18 | TB0182Y | C003 | BJ | S2 | 4 | MOT-F2 MNT-T2 | VN081-VN084 |
| 128 | 24 | PV | D10062 | 8 | | 73-21-18 | TB0182Y | C003 | BJ | S2 | 4 | | VN085-VN097, VN103-VN110 |
| 128 | 24 | PV | D10062 | 8 | | 73-21-18 | TB0182Y | C003 | BJ | S2 | 3 | | VN098-VN102, VS186-VS187 |
| 128Z | 24 | PV | D10062 | DED | | 73-21-18 | TB0182Y | DED | | S2 | | | VN081-VN110VS186-VS187 |
| 129 | 24 | PV | D10064 | 8 | | 73-21-18 | TB0182Y | A006 | BJ | S2 | 4 | MOT-F2 MNT-T2 | VN081-VN084 |
| 129 | 24 | PV | D10064 | 8 | | 73-21-18 | TB0182Y | A006 | BJ | S2 | 4 | | VN085-VN097, VN103-VN110 |
| 129 | 24 | PV | D10064 | 8 | | 73-21-18 | TB0182Y | A006 | BJ | S2 | 3 | | VN098-VN102, VS186-VS187 |
| 129Z | 24 | PA | D10064 | DED | | 73-21-18 | TB0182Y | DED | | S2 | | | VN081-VN110VS186-VS187 |
| 134 | 22 | PA | TB0182D | C020 | 2 | 28-31-12 | D08028J | 16 | | S2 | 2 | | VF011-VF011, VN086-VN086 |
| 134 | 22 | PA | TB0182D | CAP | Y | 28-31-12 | D08028J | 16 | | S2 | 2 | ZSZ-B6 | VN087-VN092 |
| 201B | 24 | PL | D02674 | 18 | | 27-51-31 | TB0158F | A019 | 2 | S2 | 4 | | VF011-VF011, VK081-VK089, VN051-VN054, VN081-VN097, VN103-VN110 |

286T1114-301
Wire Bundle Assembly
Figure 120 (Sheet 11)

25-71-01

| WIRE | | | FROM EQUIPMENT | | | | TO EQUIPMENT | | | | WIRE INFO | | | |
|--------|----|-----|----------------|------|----|----------|--------------|------|----|-------------|-----------|-------|---|--|
| NUMBER | GA | TYP | NUMBER | TERM | TT | WDM REF | NUMBER | TERM | TT | EMC/ SEP | FT | NOTES | EFFECTIVITY | |
| 201B | 24 | PL | D02674 | 18 | | 27-51-31 | TB0158F | A019 | 2 | S2 | 3 | | VN098-VN102, VS186-VS187 | |
| 201R | 24 | PL | D02674 | 17 | | 27-51-31 | TB0158F | C019 | 2 | S2 | 4 | | VF011-VF011, VK081-VK089, VN051-VN054, VN081-VN097, VN103-VN110 | |
| 202B | 22 | PB | D02674 | 9 | | 27-58-21 | D08028J | 9 | | S2 | 2 | | VN098-VN102, VS186-VS187 | |
| 202B | 22 | PB | D02674 | 9 | | 27-58-21 | D08028J | 9 | | S2 | 2 | | VN098-VN102, VS186-VS187 | |
| 202R | 22 | PB | D02674 | 10 | | 27-58-21 | D08028J | 10 | | S2 | 4 | | VF011-VF011, VK081-VK089, VN051-VN054, VN081-VN097, VN103-VN110 | |
| 205B | 22 | PB | D02674 | 35 | | 27-58-21 | D08028J | 11 | | S2 | 2 | | VN098-VN102, VS186-VS187 | |
| 205B | 22 | PB | D02674 | 35 | | 27-58-21 | D08028J | 11 | | S2 | 2 | | VN098-VN102, VS186-VS187 | |
| 205R | 22 | PB | D02674 | 31 | | 27-58-21 | D08028J | 12 | | S2 | 4 | | VF011-VF011, VK081-VK089, VN051-VN054, VN081-VN097, VN103-VN110 | |
| 206B | 24 | PW | D02246 | 21 | | 29-11-32 | D08036J | 10 | | S2 | 2 | | VN098-VN102, VS186-VS187 | |
| 206B | 24 | PW | D02246 | 21 | | 29-11-32 | D08036J | 10 | | S2 | 2 | | VN098-VN102, VS186-VS187 | |
| 206R | 24 | PW | D02246 | 20 | | 29-11-32 | D08036J | 9 | | S2 | 4 | | VF011-VF011, VK081-VK089, VN051-VN054, VN081-VN097, VN103-VN110 | |
| 206Z | 24 | PW | D02246 | 20 | | 29-11-32 | D08036J | 2 | | S2 | 2 | | VN098-VN102, VS186-VS187 | |
| 207B | 24 | PL | D02674 | 21 | | 27-32-11 | D04885J | 3 | | S2 | 4 | | VF011-VF011, VK081-VK089, VN051-VN054, VN081-VN097, VN103-VN110 | |
| 207B | 24 | PL | D02674 | 21 | | 27-32-11 | D04885J | 3 | | S2 | 2 | | VN098-VN102, VS186-VS187 | |
| 207R | 24 | PL | D02674 | 19 | | 27-32-11 | D04885J | 2 | | S2 | 2 | | VN098-VN102, VS186-VS187 | |
| 211B | 24 | PW | D10064 | 13 | | 77-12-12 | TB0182X | B007 | BJ | S2 | 4 | | VF011-VF011, VK081-VK089, VN051-VN054, VN081-VN097, VN103-VN110 | |
| 211B | 24 | PW | D10064 | 13 | | 77-12-12 | TB0182X | B007 | BJ | S2 | 3 | | VN098-VN102, VS186-VS187 | |
| 211R | 24 | PW | D10064 | 9 | | 77-12-12 | TB0182X | A007 | BJ | S2 | 2 | | VF011-VF011, VK081-VK089, VN051-VN054, VN081-VN097, VN103-VN110 | |
| 211Z | 24 | PW | D10064 | 9 | | 77-12-12 | TB0182X | D008 | BJ | S2 | 4 | | VF011-VF011, VK081-VK089, VN051-VN054, VN081-VN097, VN103-VN110 | |
| 212B | 24 | PW | D10064 | 20 | | 77-12-12 | TB0248X | B016 | BJ | S2 | 4 | | VF011-VF011, VK081-VK089, VN051-VN054, VN081-VN097, VN103-VN110 | |
| 212B | 24 | PW | D10064 | 20 | | 77-12-12 | TB0248X | B016 | BJ | S2 | 3 | | VN098-VN102, VS186-VS187 | |
| 212R | 24 | PW | D10064 | 21 | | 77-12-12 | TB0248X | A016 | BJ | S2 | 2 | | VF011-VF011, VK081-VK089, VN051-VN054, VN081-VN097, VN103-VN110 | |
| 212Z | 24 | PW | D10064 | 21 | | 77-12-12 | TB0248X | C016 | BJ | S2 | 4 | | VF011-VF011, VK081-VK089, VN051-VN054, VN081-VN097, VN103-VN110 | |
| 213B | 24 | PW | D10062 | 13 | | 77-12-12 | TB0182X | D007 | BJ | S2 | 4 | | VF011-VF011, VK081-VK089, VN051-VN054, VN081-VN097, VN103-VN110 | |
| 213B | 24 | PW | D10062 | 13 | | 77-12-12 | TB0182X | D007 | BJ | S2 | 3 | | VN098-VN102, VS186-VS187 | |
| 213R | 24 | PW | D10062 | 9 | | 77-12-12 | TB0182X | C007 | BJ | S2 | 2 | | VF011-VF011, VK081-VK089, VN051-VN054, VN081-VN097, VN103-VN110 | |
| 213Z | 24 | PW | D10062 | 9 | | 77-12-12 | TB0182X | C008 | BJ | S2 | 2 | | VN098-VN102, VS186-VS187 | |

286T1114-301
Wire Bundle Assembly
Figure 120 (Sheet 12)

25-71-01



BOEING
COMPONENT
MAINTENANCE MANUAL

| WIRE | | | FROM EQUIPMENT | | | TO EQUIPMENT | | | WIRE INFO | | | | |
|--------|----|-----|----------------|------|----|--------------|---------|------|-----------|-----------|----|-------|---|
| NUMBER | GA | TYP | NUMBER | TERM | TT | WDM REF | NUMBER | TERM | TT | EMC / SEP | FT | NOTES | EFFECTIVITY |
| 214B | 24 | PW | D10062 | 20 | | 77-12-12 | TB0248X | C005 | BJ | S2 | 4 | | VF011-VF011, VK081-VK089, VN051-VN054, VN081-VN097, VN103-VN110 |
| 214B | 24 | PW | D10062 | 20 | | 77-12-12 | TB0248X | C005 | BJ | S2 | 3 | | VN098-VN102, VS186-VS187 |
| 214R | 24 | PW | D10062 | 21 | | 77-12-12 | TB0248X | B005 | BJ | S2 | | | |
| 214Z | 24 | PW | D10062 | 21 | | 77-12-12 | TB0248X | A005 | BJ | S2 | | | |
| 301B | 24 | PM | D02674 | 12 | | 27-58-21 | D08028J | 6 | | S2 | 4 | | VF011-VF011, VK081-VK089, VN051-VN054, VN081-VN097, VN103-VN110 |
| 301B | 24 | PM | D02674 | 12 | | 27-58-21 | D08028J | 6 | | S2 | 2 | | VN098-VN102, VS186-VS187 |
| 301R | 24 | PM | D02674 | 13 | | 27-58-21 | D08028J | 7 | | S2 | | | |
| 301Y | 24 | PM | D02674 | 11 | | 27-58-21 | D08028J | 8 | | S2 | | | |
| 304B | 24 | PM | D02674 | 32 | | 27-58-21 | D08028J | 13 | | S2 | 4 | | VF011-VF011, VK081-VK089, VN051-VN054, VN081-VN097, VN103-VN110 |
| 304B | 24 | PM | D02674 | 32 | | 27-58-21 | D08028J | 13 | | S2 | 2 | | VN098-VN102, VS186-VS187 |
| 304R | 24 | PM | D02674 | 33 | | 27-58-21 | D08028J | 14 | | S2 | | | |
| 304Y | 24 | PM | D02674 | 34 | | 27-58-21 | D08028J | 15 | | S2 | | | |

286T1114-301
Wire Bundle Assembly
Figure 120 (Sheet 13)

25-71-01

| WIRE | | FROM EQUIPMENT | | | TO EQUIPMENT | | | WIRE INFO | | | | | |
|--------|----|----------------|---------|------|--------------|---------|---------|-----------|----|---------|----|--------|-------------|
| NUMBER | GA | TYP | NUMBER | TERM | TT | WDM REF | NUMBER | TERM | TT | EMC/SEP | FT | NOTES | EFFECTIVITY |
| FRA | | | D08030J | 48 | | 732111 | D08030J | | | S2 | | | |
| FRI | | | D04978J | 54 | | 732117 | D04978J | | | S2 | | DAW-B2 | |
| PA1 | | | D03742 | 26 | | 999999 | D03742 | 34 | | S2 | | DAW-B2 | |
| PB1 | | | D01884 | 25 | | 999999 | D01884 | 35 | | S2 | | DAW-B2 | |
| PC1 | | | D03738 | 22 | | 999999 | D03738 | 38 | | S2 | | DAW-B2 | |
| PE1 | | | D02672 | 47 | | 275821 | D02672 | 64 | | S2 | | DAW-B2 | |
| PF1 | | | D02160 | 11 | | 732115 | D02160 | 20 | | S2 | | DAW-B2 | |
| S03 | | SL | D01884 | | | | | | | R2 | 2 | ISL-F2 | |
| S29 | | SL | D08112J | | | | | | | R2 | 1 | ISL-F2 | |
| S34 | | SY | D02160 | | | | | | | R2 | 2 | ISY-F2 | |
| S65 | | SL | D08030J | | | | | | | R2 | 1 | ISL-F2 | |
| 1 | 24 | PK | D01884 | 19 | | 215111 | D04978J | 6 | | S2 | 3 | | |
| 2 | 22 | PA | D01884 | 21 | | 215111 | GDX0001 | D.. | 2 | S2 | 3 | | |
| 3 | 24 | PK | D01884 | 13 | | 215111 | TB0248Y | C004 | BJ | S2 | 4 | | |
| 4 | 24 | PK | D01884 | 14 | | 215111 | D04978J | 19 | | S2 | 3 | | |
| 5 | 24 | PK | D01884 | 8 | | 215111 | D04978J | 18 | | S2 | 3 | | |
| 6 | 24 | PK | D01884 | 7 | | 215111 | D04978J | 17 | | S2 | 3 | | |
| 7 | 24 | PK | D01884 | 36 | | 215111 | TB0158Y | A002 | BJ | S2 | 4 | | |
| 8 | 24 | PK | D01884 | 15 | | 215121 | TB0158Y | C002 | BJ | S2 | 4 | | |
| 9 | 24 | PK | D01884 | 17 | | 215111 | D04978J | 15 | | S2 | 3 | | |
| 10 | 24 | PK | D05209J | 12 | | 315142 | TB0182D | A019 | 2 | S2 | 3 | | |
| 12 | 24 | PK | D01884 | 3 | | 215111 | TB0158Y | A006 | BJ | S2 | 4 | | |
| 13 | 24 | PK | TB0182X | A011 | BJ | 732117 | D02160 | 42 | | S2 | 4 | | |
| 14 | 24 | PK | D01884 | 4 | | 215111 | TB0158Y | C006 | BJ | S2 | 4 | | |
| 15 | 24 | PK | D01884 | 5 | | 215111 | TB0158Y | A005 | BJ | S2 | 4 | | |
| 16 | 24 | PK | D01884 | 22 | | 215111 | D04978J | 20 | | S2 | 3 | | |
| 17 | 24 | PK | D01884 | 1 | | 215111 | D04978J | 21 | | S2 | 3 | | |
| 18 | 24 | PK | D01884 | 27 | | 215111 | TB0182D | A023 | 2 | S2 | 4 | | |
| 19 | 24 | PK | D01884 | 6 | | 215111 | TB0158X | B023 | BJ | S2 | 4 | | |
| 20 | 22 | PA | D01884 | 28 | | 215111 | SM00009 | | W | S2 | 3 | | |
| 21 | 24 | PK | D01884 | 31 | | 212511 | D04978J | 5 | | S2 | 3 | | |
| 22 | 24 | PK | D01884 | 9 | | 215311 | D04978J | 24 | | S2 | 3 | | |
| 23 | 24 | PK | D01884 | 26 | | 215312 | TB0158F | A012 | 2 | R2 | 4 | | |
| 25 | 24 | PK | D01884 | 2 | | 215111 | D08068J | 20 | | S2 | 3 | | |

286T1114-302
Wire Bundle Assembly
Figure 121 (Sheet 1)

25-71-01



BOEING
COMPONENT
MAINTENANCE MANUAL

| WIRE | | FROM EQUIPMENT | | | TO EQUIPMENT | | | WIRE INFO | | | | | |
|--------|----|----------------|---------|------|--------------|---------|---------|-----------|----|---------|----|-------|-------------|
| NUMBER | GA | TYP | NUMBER | TERM | TT | WDM REF | NUMBER | TERM | TT | EMC/SEP | FT | NOTES | EFFECTIVITY |
| 26 | 24 | PK | D01884 | 32 | | 732115 | TB0248X | D012 | BJ | S2 | 4 | | |
| 27 | 24 | PK | D02160 | 25 | | 732115 | D01884 | 18 | | S2 | 3 | | |
| 28 | 22 | PA | D01884 | 10 | | 215111 | TB0158Y | C005 | BJ | S2 | 4 | | |
| 29 | 24 | PK | D02160 | 24 | | 732115 | TB0158Y | C008 | BJ | S2 | 4 | | |
| 30 | 24 | PK | D01884 | 12 | | 215111 | TB0158Y | A009 | BJ | S2 | 4 | | |
| 31 | 24 | PK | TB0158Y | A002 | BJ | 215111 | D04978J | 16 | | S2 | 4 | | |
| 32 | 24 | PK | TB0158Y | A009 | BJ | 215111 | D08112J | 15 | | S2 | 3 | | |
| 34 | 24 | PK | TB0158Y | A006 | BJ | 215111 | D04978J | 10 | | S2 | 4 | | |
| 35 | 24 | PK | D08068J | 48 | | 215111 | TB0158Y | C006 | BJ | S2 | 3 | | |
| 36 | 22 | PA | SM00009 | | W | 215111 | D04978J | 23 | | S2 | 2 | | |
| 38 | 24 | PK | D03738 | 24 | | 215123 | D08068J | 45 | | S2 | 3 | | |
| 39 | 22 | PA | TB0158Y | C005 | BJ | 215111 | D04978J | 22 | | S2 | 3 | | |
| 40 | 24 | PK | D03742 | 1 | | 212511 | D04978J | 2 | | S2 | 3 | | |
| 41 | 22 | PA | D03742 | 3 | | 212511 | GDX0001 | D.. | 2 | S2 | 3 | | |
| 42 | 24 | PK | D03742 | 24 | | 212511 | D04978J | 1 | | S2 | 3 | | |
| 43 | 22 | PA | D03742 | 4 | | 212511 | GDX0001 | D.. | 2 | S2 | 3 | | |
| 44 | 24 | PK | D03742 | 22 | | 212511 | D04978J | 3 | | S2 | 3 | | |
| 45 | 24 | PK | D03742 | 23 | | 212511 | D04978J | 4 | | S2 | 3 | | |
| 46 | 24 | PK | D03742 | 7 | | 212611 | D08068J | 50 | | S2 | 3 | | |
| 47 | 22 | PA | D03742 | 9 | | 212611 | GDX0001 | D.. | 2 | S2 | 3 | | |
| 48 | 24 | PK | D03742 | 28 | | 212611 | D08068J | 15 | | S2 | 3 | | |
| 49 | 24 | PK | D03742 | 8 | | 212611 | D08068J | 18 | | S2 | 3 | | |
| 50 | 24 | PK | D03742 | 6 | | 212611 | D08068J | 16 | | S2 | 3 | | |
| 51 | 24 | PK | D03742 | 27 | | 212611 | D08068J | 19 | | S2 | 3 | | |
| 52 | 24 | PK | D03742 | 36 | | 212611 | TB0158F | A017 | 2 | S2 | 4 | | |
| 53 | 24 | PK | D03742 | 13 | | 215814 | D08112J | 33 | | S2 | 4 | | |
| 54 | 22 | PA | D03742 | 15 | | 215814 | GDX0001 | D.. | 2 | S2 | 3 | | |
| 55 | 24 | PK | TB0158G | 27 | 2 | 215814 | D08068J | 46 | | S2 | 2 | | |
| 56 | 24 | PK | D03742 | 33 | | 215814 | D08112J | 10 | | S2 | 3 | | |
| 57 | 24 | PK | D03742 | 11 | | 215814 | D08112J | 8 | | S2 | 3 | | |
| 58 | 24 | PK | D03742 | 32 | | 215814 | D08112J | 11 | | S2 | 3 | | |
| 59 | 24 | PK | D03742 | 14 | | 215814 | TB0158F | C017 | 2 | S2 | 4 | | |
| 62 | 24 | PK | D03742 | 35 | | 212611 | D08112J | 13 | | S2 | 3 | | |
| 63 | 24 | PK | TB0158F | C020 | 2 | 215814 | D03742 | 38 | | S2 | 4 | | |

286T1114-302
Wire Bundle Assembly
Figure 121 (Sheet 2)

25-71-01

| WIRE | | FROM EQUIPMENT | | | TO EQUIPMENT | | | WIRE INFO | | | | | |
|--------|----|----------------|---------|------|--------------|---------|---------|-----------|----|---------|----|--------|-------------|
| NUMBER | GA | TYP | NUMBER | TERM | TT | WDM REF | NUMBER | TERM | TT | EMC/SEP | FT | NOTES | EFFECTIVITY |
| 64 | 24 | PK | D03738 | 19 | | 215322 | D04978J | 30 | | S2 | 3 | | |
| 65 | 22 | PA | D03738 | 21 | | 215322 | GDX0001 | D.. | 2 | S2 | 3 | | |
| 66 | 24 | PK | D03738 | 6 | | 215322 | D04978J | 25 | | S2 | 3 | | |
| 67 | 24 | PK | D03738 | 3 | | 215322 | TB0182X | C011 | BJ | S2 | 4 | | |
| 68 | 24 | PK | D03738 | 37 | | 215322 | D04978J | 27 | | S2 | 3 | | |
| 69 | 24 | PK | D03738 | 36 | | 215322 | D04978J | 28 | | S2 | 3 | | |
| 70 | 24 | PK | D03738 | 35 | | 215322 | D04978J | 29 | | S2 | 3 | | |
| 71 | 24 | PK | D03738 | 8 | | 215322 | TB0158F | C012 | 2 | S2 | 4 | | |
| 72 | 24 | PK | D03738 | 4 | | 215322 | D08068J | 12 | | S2 | 3 | | |
| 73 | 24 | PK | D03738 | 10 | | 215322 | D08068J | 13 | | S2 | 3 | | |
| 74 | 24 | PK | D03738 | 7 | | 215322 | D08068J | 10 | | S2 | 3 | | |
| 75 | 24 | PK | D03738 | 11 | | 215322 | D08068J | 11 | | S2 | 3 | | |
| 76 | 24 | PK | D03738 | 12 | | 215322 | D08068J | 8 | | S2 | 3 | | |
| 77 | 24 | PK | D03738 | 9 | | 215322 | D08068J | 9 | | S2 | 3 | | |
| 78 | 24 | PK | D03738 | 16 | | 215322 | D08068J | 6 | | S2 | 3 | | |
| 79 | 24 | PK | D03738 | 14 | | 215322 | D08068J | 5 | | S2 | 3 | | |
| 80 | 24 | PK | D03738 | 15 | | 215322 | D08068J | 4 | | S2 | 3 | | |
| 81 | 24 | PK | D03738 | 13 | | 215322 | D08068J | 3 | | S2 | 3 | | |
| 82 | 24 | PK | D03738 | 18 | | 215322 | D08068J | 2 | | S2 | 3 | | |
| 83 | 24 | PK | D03738 | 17 | | 215322 | D08068J | 1 | | S2 | 3 | | |
| 84 | 24 | PK | D03738 | 5 | | 215322 | D08068J | 7 | | S2 | 3 | | |
| 88 | 24 | PK | D08030J | 3 | | 732118 | TB0182X | B016 | BJ | S2 | 3 | | |
| 89 | 24 | PK | D08030J | 47 | | 732118 | TB0182Y | A008 | BJ | S2 | 3 | | |
| 90 | 24 | PK | D08068J | 55 | | 215111 | TB0158Y | A005 | BJ | S2 | 3 | | |
| 108 | 22 | PA | TB0182Y | A002 | BJ | 215811 | D08112J | 34 | | R2 | 2 | | |
| 109 | 24 | PV | TB0248Y | A013 | BJ | 732117 | D04978J | 32 | | S2 | 3 | | |
| 109F | 20 | UA | GDX0001 | S.. | 2 | 732117 | D04978J | | | S2 | 2 | | |
| 109Z | | | TB0248Y | C014 | BJ | 732117 | D04978J | | | S2 | | | |
| 110 | 24 | PK | D08068J | 47 | | 282212 | TB0248X | D001 | BJ | S2 | 3 | | |
| 111 | 22 | PA | D02672 | 26 | | 222411 | D05277J | 1 | | S2 | 3 | | |
| 112 | 24 | PK | D02672 | 22 | | 221211 | D05277J | 22 | | S2 | 3 | | |
| 113 | 24 | PK | D02672 | 23 | | 221211 | D05277J | 23 | | S2 | 3 | | |
| 114 | 24 | PK | D08112J | 14 | | 215111 | TB0248Y | C004 | % | S2 | 3 | EEC-T2 | |
| 115 | 22 | PA | D02672 | 8 | | 275821 | GDX0001 | A.. | 2 | S2 | 4 | | |

 286T1114-302
 Wire Bundle Assembly
 Figure 121 (Sheet 3)

25-71-01

 TESTING & FAULT ISOLATION
 01 Page 156L
 Nov 01/02



BOEING
COMPONENT
MAINTENANCE MANUAL

| WIRE | | | FROM EQUIPMENT | | | | TO EQUIPMENT | | | | WIRE INFO | | | |
|--------|----|-----|----------------|------|----|---------|--------------|------|----|---------|-----------|-------|-------------|--|
| NUMBER | GA | TYP | NUMBER | TERM | TT | WDM REF | NUMBER | TERM | TT | EMC/SEP | FT | NOTES | EFFECTIVITY | |
| 116 | 24 | PK | D03742 | 29 | | 212611 | TB0158F | A020 | 2 | S2 | 3 | | | |
| 117 | 24 | PK | D02672 | 7 | | 275821 | D08030J | 29 | | S2 | 3 | | | |
| 120 | 24 | PK | D02672 | 38 | | 221211 | D05277J | 24 | | S2 | 3 | | | |
| 121 | 24 | PK | D02672 | 39 | | 221211 | D05277J | 25 | | S2 | 3 | | | |
| 122 | 22 | PA | D02672 | 28 | | 732119 | D08030J | 32 | | S2 | 3 | | | |
| 123 | 24 | PK | D02160 | 19 | | 732119 | TB0248D | C022 | 2 | S2 | 3 | | | |
| 124 | 24 | PV | TB0248Y | A013 | BJ | 732119 | D08030J | 15 | | S2 | 3 | | | |
| 124Z | | | D08030J | 27 | | 732119 | TB0248Y | C014 | BJ | S2 | | | | |
| 125 | 22 | PA | D02160 | 2 | | 732119 | D08030J | 14 | | R2 | 3 | | | |
| 126 | 22 | PA | D02160 | 35 | | 732119 | D08030J | 31 | | S2 | 3 | | | |
| 127 | 22 | PA | D02160 | 64 | | 732117 | GDX001 | D.. | 2 | S2 | 4 | | | |
| 130 | 24 | PK | D02160 | 62 | | 223213 | D05277J | 11 | | S2 | 3 | | | |
| 132 | 20 | UA | D02160 | | | 732117 | GDX001 | S.. | 2 | S2 | 4 | | | |
| 133 | 24 | PV | D02160 | 8 | | 732112 | D08030J | 6 | | S2 | 3 | | | |
| 133Z | | | D02160 | | | 732112 | D08030J | 39 | | S2 | | | | |
| 134 | 24 | PK | D02160 | 7 | | 732112 | D08030J | 33 | | S2 | 3 | | | |
| 135 | 24 | PK | D05209J | 20 | | 315142 | TB0182D | A026 | 2 | S2 | 3 | | | |
| 140 | 24 | PK | D02160 | 61 | | 732117 | D08030J | 36 | | S2 | 3 | | | |
| 141 | 24 | PK | D02160 | 54 | | 732116 | D08030J | 34 | | S2 | 3 | | | |
| 143 | 24 | PK | D02160 | 53 | | 223213 | D05277J | 8 | | S2 | 3 | | | |
| 144 | 24 | PK | D02160 | 32 | | 732117 | TB0182X | D012 | BJ | R2 | 4 | | | |
| 145 | 24 | PK | D02160 | 30 | | 223213 | D05277J | 10 | | S2 | 3 | | | |
| 146 | 24 | PK | TB0182X | C012 | BJ | 732117 | D08030J | 37 | | R2 | 3 | | | |
| 156 | 24 | PK | D08068J | 51 | | 303111 | TB0248Y | C013 | BJ | S2 | 3 | | | |
| 157 | 24 | PK | D08068J | 17 | | 361151 | TB0248X | B002 | BJ | S2 | 3 | | | |
| 158 | 24 | PK | D08068J | 52 | | 303411 | TB0248X | C002 | BJ | S2 | 3 | | | |
| 160 | 24 | PK | D08030J | 16 | | 732117 | TB0182X | A011 | BJ | S2 | 3 | | | |
| 161 | 24 | PK | D08112J | 22 | | 732118 | TB0182X | D011 | BJ | S2 | 3 | | | |
| 163 | 24 | PV | D02160 | 6 | | 732117 | TB0248Z | 7 | BJ | S2 | 4 | | | |
| 163Z | | | D02160 | | | 732117 | TB0248Z | 8 | BJ | S2 | | | | |
| 165 | 24 | PK | D02160 | 23 | | 223213 | D05277J | 9 | | S2 | 3 | | | |
| 167 | 24 | PK | D02160 | 59 | | 732115 | TB0182Y | C005 | BJ | R2 | 4 | | | |
| 168 | 24 | PK | D02160 | 26 | | 223213 | D05277J | 12 | | S2 | 3 | | | |
| 169 | 24 | PK | D02160 | 65 | | 732115 | TB0182Y | A006 | BJ | S2 | 4 | | | |

286T1114-302
Wire Bundle Assembly
Figure 121 (Sheet 4)

25-71-01

| WIRE | | | FROM EQUIPMENT | | | TO EQUIPMENT | | | WIRE INFO | | | | |
|--------|----|-----|----------------|------|----|--------------|---------|------|-----------|---------|----|-------|-------------|
| NUMBER | GA | TYP | NUMBER | TERM | TT | WDM REF | NUMBER | TERM | TT | EMC/SEP | FT | NOTES | EFFECTIVITY |
| 170 | 24 | PK | D02160 | 66 | | 732115 | TB0182Y | A003 | BJ | S2 | 4 | | |
| 178 | 24 | PK | D02160 | 57 | | 346113 | TB0182Y | A005 | BJ | S2 | 4 | | |
| 179 | 24 | PK | D02160 | 55 | | 346113 | TB0182Y | A004 | BJ | S2 | 4 | | |
| 180 | 24 | PK | D02160 | 29 | | 346113 | TB0182Y | A009 | BJ | S2 | 4 | | |
| 181 | 24 | PK | D02160 | 1 | | 346113 | TB0182Y | C009 | BJ | S2 | 4 | | |
| 182 | 24 | PK | D02160 | 21 | | 346113 | TB0182Y | A010 | BJ | S2 | 4 | | |
| 184 | 24 | PV | TB0158Y | A001 | BJ | 346113 | D05209J | 1 | | R2 | 4 | | |
| 184Z | | | TB0158Y | DED | | 346113 | D05209J | DED | | S2 | | | |
| 185 | 24 | PV | TB0158Y | C022 | BJ | 346113 | D05209J | 2 | | R2 | 3 | | |
| 185Z | | | TB0158Y | DED | | 346113 | D05209J | DED | | S2 | | | |
| 186 | 24 | PV | TB0158Y | A021 | BJ | 346113 | D05209J | 3 | | R2 | 3 | | |
| 186Z | | | TB0158Y | DED | | 346113 | D05209J | DED | | R2 | | | |
| 187 | 24 | PV | TB0158Y | C021 | BJ | 346113 | D05209J | 4 | | R2 | 3 | | |
| 187Z | | | TB0158Y | DED | | 346113 | D05209J | DED | | S2 | | | |
| 188 | 24 | PV | TB0158Y | A022 | BJ | 346113 | D05209J | 5 | | R2 | 3 | | |
| 188Z | | | TB0158Y | DED | | 346113 | D05209J | DED | | S2 | | | |
| 189 | 24 | PK | TB0182Y | A005 | BJ | 346113 | D05209J | 6 | | S2 | 3 | | |
| 190 | 24 | PK | TB0182Y | A004 | BJ | 346113 | D05209J | 7 | | S2 | 3 | | |
| 191 | 24 | PK | TB0182Y | A009 | BJ | 346113 | D05209J | 8 | | S2 | 3 | | |
| 192 | 24 | PK | TB0182Y | C009 | BJ | 346113 | D05209J | 9 | | S2 | 3 | | |
| 193 | 24 | PK | TB0182Y | A010 | BJ | 346113 | D05209J | 10 | | S2 | 3 | | |
| 194 | 24 | PK | D02672 | 29 | | 275821 | TB0248D | C017 | 2 | S2 | 4 | | |
| 197 | 22 | PA | D02672 | 43 | | 275821 | GDX0001 | D.. | 2 | S2 | 3 | | |
| 198 | 22 | PA | TB0248D | A018 | 2 | 276111 | D05277J | 16 | | S2 | 3 | | |
| 201B | 24 | PL | D02672 | 18 | | 275831 | D08030J | 20 | | S2 | 3 | | |
| 201R | 24 | PL | D02672 | 17 | | 275831 | D08030J | 21 | | S2 | 3 | | |
| 202B | 24 | PL | D02672 | 21 | | 223213 | D05277J | 21 | | S2 | 3 | | |
| 202R | 24 | PL | D02672 | 19 | | 223213 | D05277J | 20 | | S2 | 3 | | |
| 203B | 24 | PL | D02672 | 9 | | 275821 | D08030J | 22 | | S2 | 3 | | |
| 203R | 24 | PL | D02672 | 10 | | 275821 | D08030J | 23 | | S2 | 3 | | |
| 204B | 22 | PB | D02672 | 41 | | 274111 | D05277J | 5 | | S2 | 3 | | |
| 204R | 22 | PB | D02672 | 40 | | 274111 | D05277J | 4 | | S2 | 3 | | |
| 207B | 24 | PL | TB0158F | A019 | 2 | 275131 | D08030J | 18 | | S2 | 3 | | |
| 207R | 24 | PL | TB0158F | C019 | 2 | 275131 | D08030J | 19 | | S2 | 3 | | |

286T1114-302
Wire Bundle Assembly
Figure 121 (Sheet 5)

25-71-01



BOEING
COMPONENT
MAINTENANCE MANUAL

| WIRE | | | FROM EQUIPMENT | | | | TO EQUIPMENT | | | | WIRE INFO | | | |
|--------|----|-----|----------------|------|----|---------|--------------|------|----|---------|-----------|-------|-------------|--|
| NUMBER | GA | TYP | NUMBER | TERM | TT | WDM REF | NUMBER | TERM | TT | EMC/SEP | FT | NOTES | EFFECTIVITY | |
| 208B | 24 | PL | D02672 | 35 | | 275821 | D05277J | 32 | | S2 | 3 | | | |
| 208R | 24 | PL | D02672 | 31 | | 275821 | D05277J | 33 | | S2 | | | | |
| 211B | 24 | PW | D08068J | 25 | | 771213 | TB0182X | C018 | BJ | S2 | 3 | | | |
| 211R | 24 | PW | D08068J | 24 | | 771213 | TB0182X | B018 | BJ | S2 | | | | |
| 211Z | 24 | PW | D08068J | 26 | | 771213 | TB0182X | A018 | BJ | S2 | | | | |
| 240B | 24 | PW | D05277J | 3 | | 361161 | D08068J | 33 | | S2 | 3 | | | |
| 240R | 24 | PW | D05277J | 2 | | 361161 | D08068J | 32 | | S2 | | | | |
| 240Z | 24 | PW | D05277J | 6 | | 361161 | D08068J | 31 | | S2 | | | | |
| 250B | 24 | PW | D04978J | 47 | | 771213 | TB0182X | C017 | BJ | S2 | 3 | | | |
| 250R | 24 | PW | D04978J | 46 | | 771213 | TB0182X | B017 | BJ | S2 | | | | |
| 250Z | 24 | PW | D04978J | 45 | | 771213 | TB0182X | A017 | BJ | S2 | | | | |
| 301B | 24 | PM | D02672 | 12 | | 275821 | D08030J | 24 | | S2 | 3 | | | |
| 301R | 24 | PM | D02672 | 13 | | 275821 | D08030J | 25 | | S2 | | | | |
| 301Y | 24 | PM | D02672 | 11 | | 275821 | D08030J | 26 | | S2 | | | | |
| 302B | 24 | PM | D02672 | 32 | | 275821 | D05277J | 29 | | S2 | 3 | | | |
| 302R | 24 | PM | D02672 | 33 | | 275821 | D05277J | 30 | | S2 | | | | |
| 302Y | 24 | PM | D02672 | 34 | | 275821 | D05277J | 31 | | S2 | | | | |
| 500 | 24 | PK | D01884 | 37 | | 215111 | TB0158Y | C010 | BJ | S2 | 4 | | | |
| 501 | 24 | PK | D01884 | 38 | | 215111 | D04978J | 9 | | S2 | 3 | | | |
| 502 | 24 | PK | D01884 | 16 | | 215111 | TB0158Y | A010 | BJ | S2 | 4 | | | |
| 503 | 24 | PK | D08068J | 38 | | 215111 | TB0158Y | C010 | BJ | S2 | 3 | | | |
| 505 | 24 | PK | D02160 | 33 | | 732115 | TB0158G | 26 | 2 | S2 | 4 | | | |
| 506 | 24 | PK | TB0158G | 26 | 2 | 346113 | D05209J | 11 | | S2 | 3 | | | |
| 517 | 24 | PK | TB0248X | A002 | BJ | 215811 | D04978J | 13 | | S2 | 3 | | | |
| 518 | 24 | PK | D01884 | 30 | | 215312 | TB0182X | B012 | BJ | S2 | 4 | | | |
| 520 | 24 | PK | TB0248D | C017 | 2 | 275821 | TB0248D | C018 | 2 | S2 | 2 | | | |
| 521 | 24 | PK | TB0248D | A017 | 2 | 344612 | D05277J | 28 | | S2 | 3 | | | |
| 523 | 24 | PV | D08030J | 2 | | 732111 | TB0182X | C027 | BJ | S2 | 2 | | | |
| 523Z | | | D08030J | | | 732111 | TB0182X | D027 | BJ | S2 | | | | |
| 524 | 24 | PK | D04978J | 8 | | 215812 | TB0182X | A028 | BJ | S2 | 2 | | | |
| 525 | 24 | PK | D04978J | 14 | | 215812 | TB0182X | B028 | BJ | S2 | 2 | | | |
| 526 | 24 | PK | D04978J | 37 | | 215812 | TB0182X | C028 | BJ | S2 | 2 | | | |
| 527 | 24 | PK | D03742 | 12 | | 215814 | TB0158G | 27 | 2 | S2 | 3 | | | |
| 532 | 24 | PK | D04978J | 48 | | 215812 | TB0182X | D028 | BJ | S2 | 2 | | | |

286T1114-302
Wire Bundle Assembly
Figure 121 (Sheet 6)

25-71-01

| WIRE | | | FROM EQUIPMENT | | | | TO EQUIPMENT | | | | WIRE INFO | | | |
|--------|----|-----|----------------|------|----|---------|--------------|------|----|---------|-----------|-------|-------------|--|
| NUMBER | GA | TYP | NUMBER | TERM | TT | WDM REF | NUMBER | TERM | TT | EMC/SEP | FT | NOTES | EFFECTIVITY | |
| 535 | 24 | PV | D08030J | 7 | | 732117 | TB0248Z | 7 | BJ | S2 | 3 | | | |
| 535Z | | | D08030J | 8 | | 732117 | TB0248Z | 8 | BJ | S2 | | | | |
| 544JA | 24 | PV | TB0248Y A013 | BJ | | 732117 | TB0248Z | 7 | BJ | S2 | 2 | | | |
| 544Z | | | TB0248Y C014 | BJ | | 732117 | TB0248Z | 8 | BJ | S2 | | | | |
| 556 | 24 | PK | D08068J | 22 | | 362311 | D05209J | 22 | | S2 | 3 | | | |
| 557 | 24 | PK | D08068J | 23 | | 362311 | D05209J | 23 | | S2 | 3 | | | |
| 600 | 22 | PA | D02672 | 44 | | 274111 | D05277J | 15 | | S2 | 3 | | | |
| 601 | 24 | PK | D08112J | 30 | | SPARE | TB0182X A015 | BJ | | S2 | 3 | | | |
| 603 | 24 | PK | D08030J | 30 | | 732111 | TB0182X B015 | BJ | | S2 | 3 | | | |
| 604 | 24 | PK | D08030J | 35 | | 732111 | TB0182X C015 | BJ | | S2 | 3 | | | |
| 605 | 24 | PK | D08030J | 45 | | 732111 | TB0182X D015 | BJ | | S2 | 3 | | | |
| 606 | 24 | PK | D02160 | 12 | | 732111 | D08030J | 28 | | S2 | 4 | | | |
| 607 | 22 | PQ | D02160 | 9 | | 732111 | D04978J | 36 | | S2 | 4 | | | |
| 607F | 20 | UA | D02160 | | | 732111 | GDX0004 S... | 2 | | S2 | 4 | | | |
| 607Z | | | D02160 | | | 732111 | D04978J | 35 | | S2 | | | | |
| 608 | 22 | PA | D02160 | 16 | | 732111 | GDX0004 D.. | 2 | | S2 | 4 | | | |
| 609 | 24 | PV | D08030J | 9 | | 732117 | TB0248Z | 7 | BJ | S2 | 3 | | | |
| 609Z | | | D08030J | 13 | | 732117 | TB0248Z | 8 | BJ | S2 | | | | |
| 610 | 22 | PA | D02160 | 38 | | 732111 | D08030J | 1 | | S2 | 4 | | | |
| 611 | 22 | PA | D02160 | 5 | | 732111 | D08030J | 44 | | S2 | 4 | | | |
| 612 | 24 | PK | D02160 | 49 | | SPARE | D08112J | 31 | | S2 | 4 | | | |
| 613 | 24 | PK | D02160 | 18 | | 732111 | D08030J | 5 | | S2 | 4 | | | |
| 614 | 24 | PK | D02160 | 10 | | 732111 | D08030J | 10 | | S2 | 4 | | | |
| 615 | 24 | PK | D02160 | 15 | | 732111 | D08030J | 12 | | S2 | 4 | | | |
| 616 | 24 | PV | D02160 | 52 | | 732111 | D08030J | 50 | | S2 | 4 | | | |
| 616F | 20 | UA | D02160 | | | 732111 | GDX0004 S... | 2 | | S2 | 4 | | | |
| 616Z | | | D02160 | | | 732111 | D08030J | 51 | | S2 | | | | |
| 617 | 24 | PK | D08068J | 42 | | 361151 | TB0158Y A006 | BJ | | S2 | 3 | | | |
| 700 | 24 | PK | D05209J | 18 | | 313121 | D02672 | 14 | | S2 | 4 | | | |
| 707 | 22 | PA | SM00009 | | W | 215111 | D04978J | 34 | | S2 | 2 | | | |
| 708 | 24 | PK | D08112J | 19 | | 215121 | TB0158Y C009 | BJ | | S2 | 3 | | | |
| 709 | 24 | PK | D08112J | 20 | | 215121 | TB0182Y C001 | BJ | | S2 | 3 | | | |
| 712 | 24 | PK | D08112J | 16 | | 215111 | SM00009 | W | | S2 | 2 | | | |
| 713 | 24 | PK | D08112J | 17 | | 215111 | TB0158Y C005 | BJ | | S2 | 3 | | | |

286T1114-302
Wire Bundle Assembly
Figure 121 (Sheet 7)

25-71-01



BOEING
COMPONENT
MAINTENANCE MANUAL

| WIRE | | | FROM EQUIPMENT | | | | TO EQUIPMENT | | | | WIRE INFO | | | |
|--------|----|-----|----------------|------|----|---------|--------------|------|----|----------|-----------|-------|-------------|--|
| NUMBER | GA | TYP | NUMBER | TERM | TT | WDM REF | NUMBER | TERM | TT | EMC/ SEP | FT | NOTES | EFFECTIVITY | |
| 718 | 24 | PK | D03742 | 25 | | 212511 | D04978J | 12 | | S2 | 3 | | | |
| 720 | 24 | PK | D08112J | 32 | | 215811 | TB0182Y A001 | BJ | | S2 | 3 | | | |
| 721 | 24 | PK | D05209J | 19 | | 313121 | D02672 | 16 | | S2 | 4 | | | |
| 722 | 24 | PK | D08112J | 1 | | 215814 | D03742 | 37 | | S2 | 3 | | | |
| 724 | 24 | PK | D08112J | 3 | | 215815 | TB0248X A012 | BJ | | S2 | 3 | | | |
| 725 | 24 | PK | D03742 | 2 | | 212511 | TB0248D A019 | 2 | | S2 | 3 | | | |
| 726 | 24 | PK | TB0248Y C010 | BJ | | 212511 | TB0248D C019 | 2 | | S2 | 2 | | | |
| 727 | 24 | PK | TB0248Y C010 | BJ | | 212511 | D04978J | 7 | | S2 | 3 | | | |
| 728 | 24 | PK | TB0248X C011 | BJ | | 212611 | D08112J | 12 | | S2 | 3 | | | |
| 749 | 24 | PK | D04978J | 26 | | 215811 | TB0248X A001 | BJ | | S2 | 4 | | | |
| 763 | 24 | PV | TB0182Y A007 | BJ | | 732111 | D04978J | 41 | | S2 | 3 | | | |
| 763Z | | | TB0182Y C007 | BJ | | 732111 | D04978J | 40 | | S2 | 3 | | | |
| 764 | 24 | PV | D08030J | 46 | | 732111 | TB0248Z | 7 | BJ | S2 | 3 | | | |
| 764Z | | | D08030J | | | 732111 | TB0248Z | 8 | BJ | S2 | 3 | | | |
| 766 | 24 | PK | D08030J | 11 | | 275131 | TB0158X A023 | BJ | | S2 | 3 | | | |
| 767 | 24 | PK | D08030J | 42 | | 275831 | D02672 | 52 | | S2 | 4 | | | |
| 778 | 24 | PK | D02160 | 27 | | 732115 | TB0248X C012 | BJ | | S2 | 4 | | | |
| 779 | 22 | PA | D08030J | 43 | | 732119 | TB0248D C022 | 2 | | S2 | 2 | | | |
| 780 | 22 | PA | D08030J | 17 | | 732119 | TB0248D A022 | 2 | | S2 | 2 | | | |
| 901 | 24 | PK | D08112J | 18 | | 215811 | TB0182X B011 | BJ | | S2 | 3 | | | |

286T1114-302
Wire Bundle Assembly
Figure 121 (Sheet 8)

25-71-01

| W/B 285T1078 DASH NUMBER | EQUIP NO (REFERENCE DESIGNATOR) | PART NUMBER | EFFECTIVITY |
|-----------------------------|---------------------------------------|-----------------|--|
| 101 | D01884 | BACC65L41 | |
| | D01884 U | BACC47EM1 | |
| | D01886 | BACC65L41 | |
| | D01886 U | BACC47EM1 | |
| | D02160 | BACC65L66 | |
| | D02160 U | BACC47EM1 | |
| | D02672 | BACC65L66 | |
| | D02672 U | BACC47EM1 | |
| | D03738 | BACC65L41 | |
| | D03738 U | BACC47EM1 | |
| | D03742 | BACC65L41 | |
| | D03742 U | BACC47EM1 | |
| | D04978J | BACC45FN22-55P6 | |
| | D05209J | BACC45FN16-24P7 | |
| | D05277J | BACC45FN20-41P9 | |
| | D08030J | BACC45FN22-55P | |
| | D08068J | BACC45FN22-55S7 | |
| | D08112J | BACC45FN22-55P | |
| | D10780 | BACC65L41 | VA711-VA712, VB302-VB302, VB371- VB373, VE021-VE023, VE061-VE062, |
| | D10780 U | BACC47EM1 | VA711-VA712, VB302-VB302, VB371- VB373, VE021-VE023, VE061-VE062, |
| 102 | D01884 | BACC65L41 | |
| | D01884 U | BACC47EM1 | |
| | D01886 | BACC65L41 | VA301-VA700, VB051-VB200, VB251- VB280, VB321-VB330, VB401-VB410, VE101- VE120, |
| | D01886 | BACC65L66 | VB331-VB370, VB441-VB450, VE121- VE170, VF001-VF010, VF021-VF060, VF171- VF180, VF251-VF260, |
| | D01886 U | BACC47EM1 | |
| | D02160 | BACC65L66 | |
| | D02160 U | BACC47EM1 | |
| | D02672 | BACC65L66 | |
| | D02672 U | BACC47EM1 | |
| | D03738 | BACC65L41 | |
| | D03738 U | BACC47EM1 | |
| | D03742 | BACC65L41 | |
| | D03742 U | BACC47EM1 | |
| | D04978J | BACC45FN22-55P6 | |
| | D05209J | BACC45FN16-24P7 | |
| | D05277J | BACC45FN20-41P9 | |
| | D08030J | BACC45FN22-55P | |
| | D08068J | BACC45FN22-55S7 | |

286T1078
 Equipment List
 Figure 122 (Sheet 1)

25-71-01

TESTING & FAULT ISOLATION
 01 Page 156R
 Nov 01/02


BOEING
 COMPONENT
 MAINTENANCE MANUAL

| W/B 285T1078 DASH NUMBER | EQUIP NO (REFERENCE DESIGNATOR) | PART NUMBER | EFFECTIVITY |
|-----------------------------|---------------------------------------|-----------------|--|
| 140 | D08112J | BACC45FN22-55P | VA511-VA513, VB055-VB055, VB111- VB121, VB323-VB324, VA511-VA513, VB055-VB055, VB111- VB121, VB323-VB324, VE085-VE100, VE171-VE180, VF061- VF070, VF091-VF110, VF161-VF170, VE085-VE100, VE171-VE180, VF061- VF070, VF091-VF110, VF161-VF170, |
| | D10780 | BACC65L41 | |
| | D10780 U | BACC47EM1 | |
| | D01884 | BACC65L41 | |
| | D01884 U | BACC47EM1 | |
| | D01886 | BACC65L66 | |
| | D01886 U | BACC47EM1 | |
| | D02160 | BACC65L66 | |
| | D02160 U | BACC47EM1 | |
| | D02672 | BACC65L66 | |
| | D02672 U | BACC47EM1 | |
| | D03738 | BACC65L41 | |
| | D03738 U | BACC47EM1 | |
| | D03742 | BACC65L41 | |
| | D03742 U | BACC47EM1 | |
| | D04978J | BACC45FN22-55P6 | |
| | D05209J | BACC45FN16-24P7 | |
| | D05277J | BACC45FN20-41P9 | |
| | D08030J | BACC45FN22-55P | |
| | D08068J | BACC45FN22-55S7 | |
| D08112J | BACC45FN22-55P | | |
| 211 | D01884 | BACC65L41 | |
| | D01884 U | BACC47EM1 | |
| | D02160 | BACC65L66 | |
| | D02160 U | BACC47EM1 | |
| | D02672 | BACC65L66 | |
| | D02672 U | BACC47EM1 | |
| | D03738 | BACC65L41 | |
| | D03738 U | BACC47EM1 | |
| | D03742 | BACC65L41 | |
| | D03742 U | BACC47EM1 | |
| | D04978J | BACC45FN22-55P6 | |
| | D05209J | BACC45FN16-24P7 | |
| | D05277J | BACC45FN20-41P9 | |
| | D08030J | BACC45FN22-55P | |
| | D08068J | BACC45FN22-55S7 | |
| | D08112J | BACC45FN22-55P | |
| 212 | D01884 | BACC65L41 | |

286T1078
 Equipment List
 Figure 122 (Sheet 2)

25-71-01

TESTING & FAULT ISOLATION
 01 Page 156S
 Nov 01/02

| W/B 285T1078 DASH NUMBER | EQUIP NO (REFERENCE DESIGNATOR) | PART NUMBER | EFFECTIVITY |
|-----------------------------|--|---|---|
| | D01884 U D02160 D02160 U D02672 D02672 U D03738 D03738 U D03742 D03742 U D04978J D05209J D05277J D08030J D08068J D08112J | BACC47EM1 BACC65L66 BACC47EM1 BACC65L66 BACC47EM1 BACC65L41 BACC47EM1 BACC65L41 BACC47EM1 BACC45FN22-55P6 BACC45FN16-24P7 BACC45FN20-41P9 BACC45FN22-55P BACC45FN22-55S7 BACC45FN22-55P | |
| 300 | D01884 | BACC65L41 | VK001-VK080, VK131-VK140, VK161- VK190, VL001-VL040, VL751-VL790, VL796- VL805, VL871-VL880, VL911-VL940, VN001- VN050, VN171-VN190, VN211-VN220, VN231- VN290, VN301-VN340, VN371-VN633, VN681- VN730, VN791-VN810, VN921-VN960, VN966- VN990, VR421-VR421, VR461-VR461, VR471- VR471, VS051-VS052, VS061-VS061, VS066- VS070, VS073-VS073, VS091-VS094, VS131- VS132, VS176-VS177, VS196-VS199, VS206- VS207, VS261-VS262, VS266-VS268, |

 286T1078
 Equipment List
 Figure 122 (Sheet 3)

25-71-01

 TESTING & FAULT ISOLATION
 01 Page 156T
 Nov 01/02

BOEING
 COMPONENT
 MAINTENANCE MANUAL

| W/B 285T1078 DASH NUMBER | EQUIP NO (REFERENCE DESIGNATOR) | PART NUMBER | EFFECTIVITY |
|-----------------------------|---------------------------------------|-------------|---|
| | D01884 U | BACC47EM1 | VK001-VK080, VK131-VK140, VK161-VK190, VL001-VL040, VL751-VL790, VL796-VL805, VL871-VL880, VL911-VL930, VN001-VN050, VN171-VN190, VN211-VN220, VN231-VN290, VN301-VN340, VN371-VN490, VN531-VN633, VN791-VN810, VN921-VN930, VN951-VN960, VN967-VN990, VR421-VR421, VR461-VR461, VR471-VR471, VS051-VS052, VS061-VS061, VS066-VS070, VS073-VS073, VS131-VS132, VS176-VS177, VS196-VS199, VS261-VS262, VS266-VS268, |
| | D01886 | BACC65L41 | VK001-VK011, VK021-VK054, DATE 05/16/02 |
| | D01886 | BACC65L66 | VK012-VK020, VK055-VK080, VK131-VK140, VK161-VK190, VL001-VL040, VL751-VL790, VL796-VL810, VL891-VL940, VN001-VN050, VN171-VN190, VN211-VN290, VN301-VN340, VN371-VN650, VN671-VN675, VN681-VN730, VN791-VN810, VN921-VN960, VN966-VN990, VR421-VR421, VR461-VR461, VR471-VR471, VS051-VS052, VS061-VS061, VS066-VS070, VS073-VS073, VS091-VS094, VS131-VS132, VS176-VS177, VS196-VS199, VS206-VS207, VS261-VS262, VS266-VS268, |

286T1078
 Equipment List
 Figure 122 (Sheet 4)

25-71-01

TESTING & FAULT ISOLATION
 01 Page 156U
 Nov 01/02

| W/B 285T1078 DASH NUMBER | EQUIP NO (REFERENCE DESIGNATOR) | PART NUMBER | EFFECTIVITY |
|-----------------------------|---------------------------------------|-----------------|--|
| | D01886 U | BACC47EM1 | VK001-VK080, VK131-VK140, VK161-VK190, VL001-VL040, VL751-VL790, VL796-VL810, VL891-VL940, VN001-VN050, VN171-VN190, VN211-VN290, VN301-VN340, VN371-VN650, VN671-VN675, VN681-VN730, VN791-VN810, VN921-VN960, VN966-VN990, VR421-VR421, VR461-VR461, VR471-VR471, VS051-VS052, VS061-VS061, VS066-VS070, VS073-VS073, VS091-VS094, VS131-VS132, VS176-VS177, VS196-VS199, VS206-VS207, VS261-VS262, VS266-VS268, |
| | D02160 | BACC65L66 | VK001-VK030, VK181-VK190, VL011-VL040, VL796-VL810, VL871-VL880, VL931-VL940, VN171-VN190, VN221-VN230, VN241-VN290, VN371-VN470, VN491-VN650, VN671-VN675, VN681-VN730, VN931-VN950, VN966-VN990, VR461-VR461, VS061-VS061, VS066-VS070, VS073-VS073, VS091-VS094, VS131-VS132, VS176-VS177, VS206-VS207, VS266-VS268, |
| | D02160 | BACC65L66 | VK031-VK080, VK131-VK140, VK161-VK180, VL001-VL010, VL751-VL790, VL891-VL930, VN001-VN050, VN211-VN220, VN231-VN240, VN301-VN340, VN471-VN490, VN791-VN810, VN921-VN930, VN951-VN960, VR421-VR421, VR471-VR471, VS051-VS052, VS196-VS199, VS261-VS262, |
| | D02160 U | BACC47EM1 | |
| | D02672 | BACC65L66 | |
| | D02672 U | BACC47EM1 | |
| | D03738 | BACC65L41 | |
| | D03738 U | BACC47EM1 | |
| | D03742 | BACC65L41 | |
| | D03742 U | BACC47EM1 | |
| | D04978J | BACC45FN22-55P6 | |
| | D05209J | BACC45FN16-24P7 | |

286T1078
 Equipment List
 Figure 122 (Sheet 5)

25-71-01

TESTING & FAULT ISOLATION
 01 Page 156V
 Nov 01/02


BOEING
 COMPONENT
 MAINTENANCE MANUAL

| W/B 285T1078 DASH NUMBER | EQUIP NO (REFERENCE DESIGNATOR) | PART NUMBER | EFFECTIVITY |
|-----------------------------|---------------------------------------|-----------------|-------------|
| 301 | D05277J | BACC45FN20-41P9 | |
| | D08030J | BACC45FN22-55P | |
| | D08068J | BACC45FN22-55S7 | |
| | D08112J | BACC45FN22-55P | |
| | D01884 | BACC65L41 | |
| | D01884 U | BACC47EM1 | |
| | D01886 | BACC65L66 | |
| | D01886 U | BACC47EM1 | |
| | D02160 | BACC65L66 | |
| | D02160 U | BACC47EM1 | |
| | D02672 | BACC65L66 | |
| | D02672 U | BACC47EM1 | |
| | D03738 | BACC65L41 | |
| | D03738 U | BACC47EM1 | |
| | D03742 | BACC65L41 | |
| | D03742 U | BACC47EM1 | |
| | D04978J | BACC45FN22-55P6 | |
| | D05209J | BACC45FN16-24P7 | |
| | D05277J | BACC45FN20-41P9 | |
| | D08030J | BACC45FN22-55P | |
| D08068J | BACC45FN22-55S7 | | |
| D08112J | BACC45FN22-55P | | |
| 302 | D01884 | BACC65L41 | |
| | D01884 U | BACC47EM1 | |
| | D01886 | BACC65L66 | |
| | D01886 U | BACC47EM1 | |
| | D02160 | BACC65L66 | |
| | D02160 U | BACC47EM1 | |
| | D02672 | BACC65L66 | |
| | D02672 U | BACC47EM1 | |
| | D03738 | BACC65L41 | |
| | D03738 U | BACC47EM1 | |
| | D03742 | BACC65L41 | |
| | D03742 U | BACC47EM1 | |
| | D04978J | BACC45FN22-55P6 | |
| | D05209J | BACC45FN16-24P7 | |
| | D05277J | BACC45FN20-41P9 | |
| | D08030J | BACC45FN22-55P | |
| | D08068J | BACC45FN22-55S7 | |
| | D08112J | BACC45FN22-55P | |

286T1078
 Equipment List
 Figure 122 (Sheet 6)

25-71-01

TESTING & FAULT ISOLATION
 01 Page 156W
 Nov 01/02

| W/B 285T1080 DASH NUMBER | EQUIP NO (REFERENCE DESIGNATOR) | PART NUMBER | EFFECTIVITY |
|-----------------------------|---------------------------------------|-----------------|---|
| 101 | D01868 | BACC65L41 | |
| | D01868 U | BACC47EM1 | |
| | D01870 | BACC65L41 | |
| | D01870 U | BACC47EM1 | |
| | D01872 | BACC65L41 | |
| | D01872 U | BACC47EM1 | |
| | D01874 | BACC65L41 | |
| | D01874 U | BACC47EM1 | |
| | D01876 | BACC65L41 | |
| | D01876 U | BACC47EM1 | |
| | D02162 | BACC65L66 | |
| | D02162 U | BACC47EM1 | |
| | D02176 | BACC65L41 | |
| | D02176 U | BACC47EM1 | |
| | D02676 | BACC65L66 | |
| | D02676 U | BACC47EM1 | |
| | D04809J | BACC45FN16-24P | |
| | D04887J | BACC45FN20-41P6 | |
| | D05552J | BACC45FN24-61P6 | |
| | D05644J | BACC45FN20-41P8 | |
| | D05766J | BACC45FN22-55P9 | |
| | D08032J | BACC45FN24-61P7 | |
| | 102 | D01868 | BACC65L41 |
| D01868 U | | BACC47EM1 | |
| D01870 | | BACC65L41 | |
| D01870 U | | BACC47EM1 | |
| D01872 | | BACC65L41 | |
| D01872 U | | BACC47EM1 | |
| D01874 | | BACC65L41 | |
| D01874 U | | BACC47EM1 | |
| D01876 | | BACC65L41 | VA301-VA700,VB051-VB200,VB251- VB280,VB321-VB330,VB401-VB410,VE101- VE120 |
| D01876 | | BACC65L66 | VB331-VB332 |
| D01876 | | BACC65L66 | VB333-VB370,VB441-VB450,VE121- VE170,VF001-VF010,VF021-VF060,VF171- VF180,VF251-VF260 |
| D01876 U | | BACC47EM1 | |
| D02176 | | BACC65L41 | |
| D02176 U | | BACC47EM1 | |
| D02676 | | BACC65L66 | |
| D02676 U | | BACC47EM1 | |
| D04809J | | BACC45FN16-24P | |

286T1080
 Equipment List
 Figure 123 (Sheet 1)

25-71-01

TESTING & FAULT ISOLATION
 01 Page 156X
 Nov 01/02


BOEING
 COMPONENT
 MAINTENANCE MANUAL

| W/B 285T1080 DASH NUMBER | EQUIP NO (REFERENCE DESIGNATOR) | PART NUMBER | EFFECTIVITY |
|-----------------------------|---------------------------------------|-----------------|-------------|
| 140 | D04887J | BACC45FN20-41P6 | |
| | D05552J | BACC45FN24-61P6 | |
| | D05644J | BACC45FN20-41P8 | |
| | D05766J | BACC45FN22-55P9 | |
| | D08032J | BACC45FN24-61P7 | |
| | D01868 | BACC65L41 | |
| | D01868 U | BACC47EM1 | |
| | D01870 | BACC65L41 | |
| | D01870 U | BACC47EM1 | |
| | D01872 | BACC65L41 | |
| | D01872 U | BACC47EM1 | |
| | D01874 | BACC65L41 | |
| | D01874 U | BACC47EM1 | |
| | D01876 | BACC65L66 | |
| | D01876 U | BACC47EM1 | |
| | D02162 | BACC65L66 | |
| | D02176 | BACC65L41 | |
| | D02176 U | BACC47EM1 | |
| | D02676 | BACC65L66 | |
| D02676 U | BACC47EM1 | | |
| D04809J | BACC45FN16-24P | | |
| D04887J | BACC45FN20-41P6 | | |
| D05552J | BACC45FN24-61P6 | | |
| D05644J | BACC45FN20-41P8 | | |
| D05766J | BACC45FN22-55P9 | | |
| D08032J | BACC45FN24-61P7 | | |
| 211 | D01868 | BACC65L41 | |
| | D01868 U | BACC47EM1 | |
| | D01870 | BACC65L41 | |
| | D01870 U | BACC47EM1 | |
| | D01872 | BACC65L41 | |
| | D01872 U | BACC47EM1 | |
| | D01874 | BACC65L41 | |
| | D01874 U | BACC47EM1 | |
| | D02162 | BACC65L66 | |
| | D02176 | BACC65L41 | |
| | D02176 U | BACC47EM1 | |
| | D02676 | BACC65L66 | |
| | D02676 U | BACC47EM1 | |
| | D04809J | BACC45FN16-24P | |
| | D04887J | BACC45FN20-41P6 | |

286T1080
 Equipment List
 Figure 123 (Sheet 2)

25-71-01

TESTING & FAULT ISOLATION
 01 Page 156Y
 Nov 01/02

| W/B 285T1080 DASH NUMBER | EQUIP NO (REFERENCE DESIGNATOR) | PART NUMBER | EFFECTIVITY |
|-----------------------------|---------------------------------------|-----------------|---------------------------|
| 212 | D05552J | BACC45FN24-61P6 | |
| | D05644J | BACC45FN20-41P8 | |
| | D05766J | BACC45FN22-55P9 | |
| | D08032J | BACC45FN24-61P7 | |
| | D01868 | BACC65L41 | |
| | D01868 U | BACC47EM1 | |
| | D01870 | BACC65L41 | |
| | D01870 U | BACC47EM1 | |
| | D01872 | BACC65L41 | |
| | D01872 U | BACC47EM1 | |
| | D01874 | BACC65L41 | |
| | D01874 U | BACC47EM1 | |
| | D02162 | BACC65L66 | |
| | D02176 | BACC65L41 | |
| | D02176 U | BACC47EM1 | |
| | D02676 | BACC65L66 | |
| | D02676 U | BACC47EM1 | |
| | D04809J | BACC45FN16-24P | |
| | D04887J | BACC45FN20-41P6 | |
| | D05552J | BACC45FN24-61P6 | |
| D05644J | BACC45FN20-41P8 | | |
| D05766J | BACC45FN22-55P9 | | |
| D08032J | BACC45FN24-61P7 | | |
| 300 | D01868 | BACC65L41 | VK001-VK011, VK021-VK054, |
| | D01868 U | BACC47EM1 | |
| | D01870 | BACC65L41 | |
| | D01870 U | BACC47EM1 | |
| | D01872 | BACC65L41 | |
| | D01872 U | BACC47EM1 | |
| | D01874 | BACC65L41 | |
| | D01874 U | BACC47EM1 | |
| D01876 | BACC65L41 | | |

286T1080
 Equipment List
 Figure 123 (Sheet 3)

25-71-01

TESTING & FAULT ISOLATION
 01 Page 156Z
 Nov 01/02

BOEING
 COMPONENT
 MAINTENANCE MANUAL

| W/B 285T1080 DASH NUMBER | EQUIP NO (REFERENCE DESIGNATOR) | PART NUMBER | EFFECTIVITY |
|-----------------------------|---------------------------------------|-----------------|--|
| | D01876 | BACC65L66 | VK012-VK020, VK055-VK080, VK131-VK140, VK161-VK190, VL001-VL040, VL751-VL790, VL796-VL810, VL891-VL940, VN001-VN050, VN171-VN190, VN211-VN290, VN301-VN340, VN371-VN650, VN671-VN675, VN681-VN730, VN791-VN810, VN921-VN960, VN966-VN990, VR421-VR421, VR461-VR461, VR471-VR471, VS051-VS052, VS061-VS061, VS066-VS070, VS073-VS073, VS091-VS094, VS131-VS132, VS176-VS177, VS196-VS199, VS206-VS207, VS261-VS262, VS266-VS268 |
| | D01876 U | BACC47EM1 | VK001-VK080, VK131-VK140, VK161-VK190, VL001-VL040, VL751-VL790, VL796-VL810, VL891-VL940, VN001-VN050, VN171-VN190, VN211-VN290, VN301-VN340, VN371-VN650, VN671-VN675, VN681-VN730, VN791-VN810, VN921-VN960, VN966-VN990, VR421-VR421, VR461-VR461, VR471-VR471, VS051-VS052, VS061-VS061, VS066-VS070, VS073-VS073, VS091-VS094, VS131-VS132, VS176-VS177, VS196-VS199, VS206-VS207, VS261-VS262, VS266-VS268 |
| | D02162 | BACC65L66 | VK001-VK011, VK021-VK030, VK055-VK080, VK161-VK180, VL011-VL040, VL796-VL810, VL871-VL880, VL931-VL940, VN171-VN190, VN211-VN230, VN241-VN290, VN371-VN420, VN491-VN545, VN551-VN633, VN671-VN675, VN681-VN730, VN931-VN950, VN966-VN967, VN971-VN990, VR421-VR421, VR471-VR471, VS061-VS061, VS066-VS070, VS091-VS094, VS206-VS207 |
| | D02176 | BACC65L41 | |
| | D02176 U | BACC47EM1 | |
| | D02676 | BACC65L66 | |
| | D02676 U | BACC47EM1 | |
| | D04809J | BACC45FN16-24P | |
| | D04887J | BACC45FN20-41P6 | |
| | D05552J | BACC45FN24-61P6 | |
| | D05644J | BACC45FN20-41P8 | |
| | D05766J | BACC45FN22-55P9 | |
| | D08032J | BACC45FN24-61P7 | |

286T1080
 Equipment List
 Figure 123 (Sheet 4)

25-71-01

| W/B 285T1080 DASH NUMBER | EQUIP NO (REFERENCE DESIGNATOR) | PART NUMBER | EFFECTIVITY |
|-----------------------------|---------------------------------------|-----------------|-------------|
| 301 | D01868 | BACC65L41 | |
| | D01868 U | BACC47EM1 | |
| | D01870 | BACC65L41 | |
| | D01870 U | BACC47EM1 | |
| | D01872 | BACC65L41 | |
| | D01872 U | BACC47EM1 | |
| | D01874 | BACC65L41 | |
| | D01874 U | BACC47EM1 | |
| | D01876 | BACC65L66 | |
| | D01876 U | BACC47EM1 | |
| | D02176 | BACC65L41 | |
| | D02176 U | BACC47EM1 | |
| | D02676 | BACC65L66 | |
| | D02676 U | BACC47EM1 | |
| | D04809J | BACC45FN16-24P | |
| | D04887J | BACC45FN20-41P6 | |
| | D05552J | BACC45FN24-61P6 | |
| | D05644J | BACC45FN20-41P8 | |
| | D05766J | BACC45FN22-55P9 | |
| | D08032J | BACC45FN24-61P7 | |
| 302 | D01868 | BACC65L41 | |
| | D01868 U | BACC47EM1 | |
| | D01870 | BACC65L41 | |
| | D01870 U | BACC47EM1 | |
| | D01872 | BACC65L41 | |
| | D01872 U | BACC47EM1 | |
| | D01874 | BACC65L41 | |
| | D01874 U | BACC47EM1 | |
| | D01876 | BACC65L66 | |
| | D01876 U | BACC47EM1 | |
| | D02176 | BACC65L41 | |
| | D02176 U | BACC47EM1 | |
| | D02676 | BACC65L66 | |
| | D02676 U | BACC47EM1 | |
| | D04809J | BACC45FN16-24P | |
| | D04887J | BACC45FN20-41P6 | |
| | D05552J | BACC45FN24-61P6 | |
| | D05644J | BACC45FN20-41P8 | |
| | D05766J | BACC45FN22-55P9 | |
| | D08032J | BACC45FN24-61P7 | |

286T1080
 Equipment List
 Figure 123 (Sheet 5)

25-71-01

TESTING & FAULT ISOLATION
 01 Page 158
 Nov 01/02

BOEING
 COMPONENT
 MAINTENANCE MANUAL

| WIRE BUNDLE 285T1114 | EQUIP NO (REFERENCE DESIGNATOR) | PART NUMBER | EFFECTIVITY |
|----------------------------|---------------------------------------|-----------------|--|
| 101 | D01882 | BACC65L41 | VA001-VA001 |
| | D01882 | BACC65L41 | VA002-VB410, VB421-VE180, VF001-VF010, VF021-VF110, VF161-VF180, VF251-VF260, VK001-VK080, VK131-VK140, VK161-VK190, VL001-VL040, VL751-VL790, VL796-VL810, VL871-VL880, VL891-VL940, VN001-VN050, VN171-VN190, VN211-VN290, VN301-VN340, VN371-VN650, VN671-VN675, VN681-VN730, VN791-VN810, VN921-VN960, VN966-VN990, VR421-VR421, VR461-VR461, VR471-VR471, VS051-VS052, VS061-VS061, VS066-VS070, VS073-VS073, VS091-VS094, VS131-VS132, VS176-VS177, VS196-VS199, VS206-VS207, VS261-VS262, VS266-VS268 |
| | D01882 U | BACC47EM1 | |
| | D02246 | BACC65L41 | |
| | D02246 U | BACC47EM1 | |
| | D02674 | BACC65L66 | |
| | D02674 U | BACC47EM1 | |
| | D04885J | BACC45FN14-15P8 | |
| | D08028 | CUSTOMER | VF072-VF072 |
| | D08028J | BACC45FN16-24P9 | |
| | D08036J | BACC45FN16-24S6 | |
| | D08038J | BACC45FN12-12S7 | |
| | D10062 | BACC65L66 | VA001-VB410, VB421-VE180, VF001-VF010, VF021-VF110, VF161-VF180, VF251-VF260, VK001-VK080, VK131-VK140, VK161-VK190, VL001-VL040, VL751-VL790, VL796-VL810, VL891-VL940, VN001-VN050, VN171-VN190, VN211-VN290, VN301-VN340, VN371-VN650, VN671-VN675, VN681-VN730, VN791-VN810, VN921-VN960, VN966-VN990, VR421-VR421, VR461-VR461, VR471-VR471, VS051-VS052, VS061-VS061, VS066-VS070, VS073-VS073, VS091-VS094, VS131-VS132, VS176-VS177, VS196-VS199, VS206-VS207, VS261-VS262, VS266-VS268 |

286T1114
 Equipment List
 Figure 124 (Sheet 1)

25-71-01

| WIRE BUNDLE 285T1114 | EQUIP NO (REFERENCE DESIGNATOR) | PART NUMBER | EFFECTIVITY |
|-------------------------|---------------------------------------|-------------|--|
| | D10062 U | BACC47EM1 | VA001-VA001, VA021-VA300, VA311-VA500, VA509-VA700, VA706-VA800, VA811-VA999, VB003-VB050, VB055-VB100, VB107-VB200, VB203-VB250, VB254-VB280, VB283-VB320, VB322-VB410, VB421-VE180, VF001-VF010, VF021-VF110, VF161-VF180, VF251-VF260, VK001-VK080, VK131-VK140, VK161-VK190, VL001-VL040, VL751-VL790, VL796-VL810, VL891-VL940, VN001-VN050, VN171-VN190, VN211-VN290, VN301-VN340, VN371-VN650, VN671-VN675, VN681-VN730, VN791-VN810, VN921-VN960, VN966-VN990, VR421-VR421, VR461-VR461, VR471-VR471, VS051-VS052, VS061-VS061, VS066-VS070, VS073-VS073, VS091-VS094, VS131-VS132, VS176-VS177, VS196-VS199, VS206-VS207, VS261-VS262, VS266-VS268, |
| | D10064 | BACC65L66 | VA001-VB410, VB421-VE180, VF001-VF010, VF021-VF110, VF161-VF180, VF251-VF260, VK001-VK080, VK131-VK140, VK161-VK190, VL001-VL040, VL751-VL790, VL796-VL810, VL891-VL940, VN001-VN050, VN171-VN190, VN211-VN290, VN301-VN340, VN371-VN650, VN671-VN675, VN681-VN730, VN791-VN810, VN921-VN960, VN966-VN990, VR421-VR421, VR461-VR461, VR471-VR471, VS051-VS052, VS061-VS061, VS066-VS070, VS073-VS073, VS091-VS094, VS131-VS132, VS176-VS177, VS196-VS199, VS206-VS207, VS261-VS262, VS266-VS268, |

286T1114
 Equipment List
 Figure 124 (Sheet 2)

25-71-01

TESTING & FAULT ISOLATION
 01 Page 158B
 Nov 01/02

BOEING
 COMPONENT
 MAINTENANCE MANUAL

| WIRE BUNDLE 285T1114 | EQUIP NO (REFERENCE DESIGNATOR) | PART NUMBER | EFFECTIVITY |
|----------------------------|---------------------------------------|-----------------|---|
| | D10064 U | BACC47EM1 | VA001-VA001, VA021-VA300, VA311-VA500, VA509-VA700, VA706-VA800, VA811-VA999, VB003-VB050, VB055-VB100, VB107-VB200, VB203-VB250, VB254-VB280, VB283-VB320, VB322-VB410, VB421-VE180, VF001-VF010, VF021-VF110, VF161-VF180, VF251-VF260, VK001-VK080, VK131-VK140, VK161-VK190, VL001-VL040, VL751-VL790, VL796-VL810, VL891-VL940, VN001-VN050, VN171-VN190, VN211-VN290, VN301-VN340, VN371-VN650, VN671-VN675, VN681-VN730, VN791-VN810, VN921-VN960, VN966-VN990, VR421-VR421, VR461-VR461, VR471-VR471, VS051-VS052, VS061-VS061, VS066-VS070, VS073-VS073, VS091-VS094, VS131-VS132, VS176-VS177, VS196-VS199, VS206-VS207, VS261-VS262, VS266-VS268 |
| | D13598 | BACC65L66 | VL871-VL880 |
| | D13598 U | BACC47EM1 | VL871-VL880 |
| | D13600 | BACC65L66 | VL871-VL880 |
| | D13600 U | BACC47EM1 | VL871-VL880 |
| 140 | D01882 | BACC65L41 | |
| | D01882 U | BACC47EM1 | |
| | D02246 | BACC65L41 | |
| | D02246 U | BACC47EM1 | |
| | D02674 | BACC65L66 | |
| | D02674 U | BACC47EM1 | |
| | D04885J | BACC45FN14-15P8 | |
| | D08028J | BACC45FN16-24P9 | |
| | D08036J | BACC45FN16-24S6 | |
| | D08038J | BACC45FN12-12S7 | |
| | D10062 | BACC65L66 | |
| | D10062 U | BACC47EM1 | |
| | D10064 | BACC65L66 | |
| | D10064 U | BACC47EM1 | |
| 211 | D01882 | BACC65L41 | |
| | D01882 U | BACC47EM1 | |
| | D02246 | BACC65L41 | |
| | D02246 U | BACC47EM1 | |
| | D02674 | BACC65L66 | |

286T1114
 Equipment List
 Figure 124 (Sheet 3)

25-71-01

| WIRE BUNDLE 285T1114 | EQUIP NO (REFERENCE DESIGNATOR) | PART NUMBER | EFFECTIVITY |
|-------------------------|------------------------------------|-----------------|-------------|
| | D02674 U | BACC47EM1 | |
| | D04885J | BACC45FN14-15P8 | |
| | D08028J | BACC45FN16-24P9 | |
| | D08036J | BACC45FN16-24S6 | |
| | D08038J | BACC45FN12-12S7 | |
| | D13598 | BACC65L66 | |
| | D13598 U | BACC47EM1 | |
| | D13600 | BACC65L66 | |
| | D13600 U | BACC47EM1 | |
| | 301 | D01882 | BACC65L41 |
| D01882 U | | BACC47EM1 | |
| D02246 | | BACC65L41 | |
| D02246 U | | BACC47EM1 | |
| D02674 | | BACC65L66 | |
| D02674 U | | BACC47EM1 | |
| D04885J | | BACC45FN14-15P8 | |
| D08028J | | BACC45FN16-24P9 | |
| D08036J | | BACC45FN16-24S6 | |
| D08038J | | BACC45FN12-12S7 | |
| D10062 | | BACC65L66 | |
| D10062 U | | BACC47EM1 | |
| D10064 | | BACC65L66 | |
| D10064 U | | BACC47EM1 | |
| 302 | D01882 | BACC65L41 | |
| | D01882 U | BACC47EM1 | |
| | D02246 | BACC65L41 | |
| | D02246 U | BACC47EM1 | |
| | D02674 | BACC65L66 | |
| | D02674 U | BACC47EM1 | |
| | D04885J | BACC45FN14-15P8 | |
| | D08028J | BACC45FN16-24P9 | |
| | D08036J | BACC45FN16-24S6 | |
| | D08038J | BACC45FN12-12S7 | |
| | D10062 | BACC65L66 | |
| | D10062 U | BACC47EM1 | |
| | D10064 | BACC65L66 | |
| | D10064 U | BACC47EM1 | |

286T1114
 Equipment List
 Figure 124 (Sheet 4)

25-71-01

TESTING & FAULT ISOLATION
 01 Page 158D
 Nov 01/02

REPAIR – GENERAL

1. Repair can be accomplished using applicable procedures in SOPM 20-11-04 and Standard Industry Practices except as follows:
 - A. When you remove or replace the seal (Fig. 1-105, 1-120; Fig. 2-155, 2-170; Fig. 3-085 and 3-100) bond per SOPM 20-50-12, use type 79 or type 60 and trim the length as required, existing units using type 60 are satisfactory.
 - B. When you replace the block terminal (Fig. 1-360, Fig. 2-380 and Fig. 3-320) bond and ground per SOPM 20-11-03.
 - C. When you remove or replace the seal (Fig. 1-110, 1-115; Fig. 2-160, 2-165; Fig. 3-090 and 3-095) bond per SOPM 20-50-12, use type 58 and trim length as required.
 - D. When you replace the screws (Fig. 1-20, 1-245, 1-620; Fig. 2-025, 2-030, 2-280, 2-630; Fig. 3-020, 3-580, 3-660), the washers (Fig. 1-030, 1-035; Fig. 2-045, 2-050; Fig. 3-030, 3-035) and the nuts (Fig. 1-055; Fig. 2-055, 2-305A; Fig. 3-050, and 3-055) usage may be performed as required per SOPM 20-50-01.

2. EMC/Separation Categories

- A. There are three Wire Separation Categories that must be maintained at all times. They are: Power Source Separation, Redundancy Separation and Electromagnetic Compatibility (EMC) Separation.
 - (1) The first letter defines the Power Source Separation Category. This category separates systems by power source only and does not guarantee physical separation. This category also supplies the color code of the bundle and is broken up as follows:

| CATEGORY | WIRE BUNDLE COLOR | POWER SOURCE |
|----------|-------------------|---|
| L | Red | Circuits from left engine bus or left engine controls |
| R | Green | Circuits from right engine bus or right engine controls |
| S | Blue | Circuits powered by battery, ac or dc standby |
| A | Orange | APU control and electrical power circuits |
| N | White | Neutral circuits |

25-71-01

REPAIR-GENERAL

01

Page 601

Nov 01/02

(2) All wires labeled with L,R,S,A shall have a minimum spacing of 1/4 inch between each other. Wires labeled N may be bundled with wires of any category as long as the Redundancy and EMC separation are maintained.

B. The second letter defines the Electromagnetic Compatibility Separation Category and is defined as follows:

| | |
|------------------------|---|
| Source of Interference | 1 |
| Passive Circuit | 2 |
| Susceptible Circuit | 3 |

(1) Wires within Category 3 must be separated a minimum of 4 inches from Category 1 and a minimum of 2 inches from Category 2.

25-71-01

REPAIR-GENERAL

01

Page 602

Nov 01/02



ILLUSTRATED PARTS LIST

1. This section lists and illustrates replaceable or repairable component parts. The Illustrated Parts Catalog contains a complete explanation of the Boeing part numbering system.

2. Indentures show parts relationships as follows:

Assembly

Detail Parts for Assembly

Subassembly

Attaching Parts for Subassembly

Detail Parts for Subassembly

Detail Installation Parts (Included only if installation parts may be returned to shop as part of assembly)

3. One use code letter (A, B, C, etc.) is assigned in the EFF CODE column for each variation of top assembly. All listed parts are used on all top assemblies except when limitations are shown by use code letter opposite individual part entries.

4. Letter suffixes (alpha-variants) are added to item numbers for optional parts, Service Bulletin modification parts, configuration differences (Except left- and right-hand parts), product improvement parts, and parts added between two sequential item numbers. The alpha-variant is not shown on illustrations when appearance and location of all variants of the part is the same.

5. Service Bulletin modifications are shown by the notations PRE SB XXXX and POST SB XXXX.

A. When a new top assembly part number is assigned by Service Bulletin, the notations appear at the top assembly level only. The configuration differences at detail part level are then shown by use code letter.

B. When the top assembly part number is not changed by the Service Bulletin, the notations appear at the detail part level.

6. Parts Interchangeability

Optional
(OPT)

The parts are optional to and interchangeable with other parts having the same item number.

Supersedes, Superseded By
(SUPSDS, SUPSD BY)

The part supersedes and is not interchangeable with the original part.

Replaces, Replaced By
(REPLS, REPLD BY)

The part replaces and is interchangeable with, or is an alternate to, the original part.

25-71-01

ILLUSTRATED PARTS LIST

01 Page 1001

Nov 01/02

7. The MOD level codes in the nomenclature column, such as MOD A and MOD B, identify interchangeable top assemblies which have the same part number but which have differences at the subassembly or component levels. The IPL identifies each MOD level of a top assembly with a different item number and use code. The nameplate label identifies the MOD level of each assembly in the MOD LEVEL block.
8. Use substitute parts only as specified in the document D906-10182, Electrical/Electronic/Electromechanical and Mechanical Parts Substitution.

25-71-01ILLUSTRATED PARTS LIST
01 Page 1002
Nov 01/02

 **BOEING**
COMPONENT
MAINTENANCE MANUALVENDORS

- 04169 WESTERN SKY INDUSTRIES A DIVISION OF ATLAS CORPORATION
1280 SAN LUIS OBISPO STREET
HAYWARD, CALIFORNIA 94544-7916
FORMERLY WESTERN SKY IND VB0008
- 06383 PANDUIT CORPORATION
17301 RIDGELAND AVENUE
TINLEY PARK, ILLINOIS 60477-3048
- 07387 BIRTCHEER CORP
50 TECHNOLOGY DRIVE
IRVINE, CALIFORNIA 92718
FORMERLY IN LOS ANGELES AND EL MONTE, CALIFORNIA
- 09922 FRAMATOME CONNECTORS FRANCE
50 GRUMBACHER ROAD
YORK, PENNSYLVANIA 17402
FORMERLY BURNDY ENGRG CO V02198; FORMERLY BURNDY CORP
FORMERLY NORWALK, CONNECTICUT
- 11815 CHERRY AEROSPACE FASTENERS DIV OF TEXTRON
1224 EAST WARNER AVENUE PO BOX 2157
SANTA ANA, CALIFORNIA 92707-0157
FORMERLY IN LOS ANGELES, CALIF, FORMERLY CHERRY FASTENERS
TOWNSEND DIV OF TEXTRON INC V71087
- 15653 FAIRCHILD FASTENERS KAYNAR PRODUCTS DIV
800 S STATE COLLEGE BLVD
FULLERTON, CALIFORNIA 92831-3001
FORMERLY VK6405 MICRODOT AEROSP LTD; FORMERLY KAYNAR TECH
KAYNAR DIV
- 15805 FURON A E C
3711 SOUTH HUDSON STREET
SEATTLE, WASHINGTON 98118-1919
FORMERLY ASSOC IND V29762, FABRICATORS INC DIV OF
FLUOROCARBON CO AND FLUOROCARBON CO SEATTLE DIV
- 34941 HARPER ENGINEERING COMPANY
200 SOUTH TOBIN STREET
RENTON, WASHINGTON 98055-1307

25-71-01ILLUSTRATED PARTS LIST
01 Page 1003
Nov 01/02

VENDORS

5M902 FAIRCHILD IND INC FAIRCHILD AEROSPACE FASTENER DIV
3016 W LOMITA BLVD
TORRANCE, CALIFORNIA 90505-5103
FMLY IN REDONDO BEACH, CALIF

52828 REPUBLIC FASTENER MFG CORP
1300 RANCHO CONEJO BLVD
NEWBURY PARK, CALIFORNIA 91320-1405
FORMERLY IN SYLMAR, CALIFORNIA

58982 PRECISION CONNECTOR DESIGNS INC
CENTENNIAL PARK 2 TECHNOLOGY DRIVE
PEABODY, MASSACHUSETTS 01960
FORMERLY IN WINCHESTER, MASSACHUSETTS

6E102 METAL FORM INC
19420 84TH AVE SOUTH EAST VALLEY HWY
KENT, WASHINGTON 98031

60119 MONADNOCK CO THE
18301 ARENTH AVENUE PO BOX 1222
CITY OF INDUSTRY, CALIFORNIA 91749
FORMERLY UNITED CARR FASTENER CORP VB0051 VB0056 VB0076
FORMERLY TRW ELECTRONIC COMPONENTS CINCH-MONADNOCK DIV
FORMERLY CINCH-MONADNOCK DIV OF TRW INC V76530

71286 FAIRCHILD FASTENERS CAMLOC PRODUCTS
SOUTHBAY OPERATIONS
TORRANCE, CALIFORNIA 90505-5103
FORMERLY REXNORD INC SPECIALITY FASTENER DIV IN HASBROUCK
HEIGHTS, NEW JERSEY

72962 HARVARD INDUSTRIES INC
3 WERNER WAY SUITE 210
LEBANON, NEW JERSEY 08833
FORMERLY AMERACE CORP ESNA DIV
FORMERLY ELASTIC STOP NUT IN UNION, NJ

74970 JOHNSON E F COMPANY
299 TENTH AVENUE SW
WASECA, MINNESOTA 56093-2539

25-71-01

ILLUSTRATED PARTS LIST
01 Page 1004
Nov 01/02



BOEING
COMPONENT
MAINTENANCE MANUAL

VENDORS

- 80539 SPS TECHNOLOGIES INC AEROSPACE PRODUCTS DIV
2701 SOUTH HARBOR BOULEVARD PO BOX 1259
SANTA ANA, CALIFORNIA 92702-1259
FORMERLY NUTT-SHEL DIV OF SPC WESTERN CO V80539
AND STANDARD PRESSED STEEL WESTERN DIV V17279
- 92215 FAIRCHILD IND INC FAIRCHILD AEROSPACE FASTENER DIV
3010 W LOMITA BLVD
TORRANCE, CALIFORNIA 90505-5102
FORMERLY VOI-SHAN IN CULVER CITY, CALIF

25-71-01

ILLUSTRATED PARTS LIST
01 Page 1005
Nov 01/02

| REFERENCE DESIGNATOR INDEX (SEE SCHEMATIC DIAGRAM) | | |
|--|-------------|----------|
| REFERENCE DESIGNATOR | PART NUMBER | FIG-ITEM |
| R112 | YHLZD30 | 1-75 |
| R112 | YHLZD30 | 2-135 |
| R112 | YHLZD30 | 3-75 |
| R112 | YHLZD30 | 80 |
| R113 | YHLZD30 | 1-75 |
| R113 | YHLZD30 | 2-135 |
| R113 | YHLZD30 | 3-75 |
| R113 | YHLZD30 | 80 |
| R187 | YHLZD30 | 1-85 |
| R187 | YHLZD30 | 2-140 |
| R187 | YHLZD30 | 3-790 |
| R188 | YHLZD30 | 1-90 |
| R189 | YHLZD30 | 85 |
| R189 | YHLZD30 | 2-140 |
| R189 | YHLZD30 | 3-790 |
| R190 | YHLZD30 | 1-90 |
| R191 | YHLZD30 | 75 |
| R191 | YHLZD30 | 2-135 |
| R191 | YHLZD30 | 3-75 |
| R192 | YHLZD30 | 1-75 |
| R192 | YHLZD30 | 2-135 |
| R192 | YHLZD30 | 3-75 |
| R207-R210 | YHLZD30 | 1-75 |
| R207-R210 | YHLZD30 | 2-135 |
| R207-R210 | YHLZD30 | 3-75 |
| R243 | YHLZD30 | 1-80 |
| R435 | YHLZD30 | 100C |
| R435 | YHLZD30 | 3-795 |
| R435 | YHLZD33 | 1-100 |
| R435 | YHLZD9 | 100A |
| R435 | YHLZD9 | 100B |
| R435 | YHLZD9 | 2-125 |
| R436 | YHLZD30 | 1-100C |
| R436 | YHLZD30 | 3-795 |
| R436 | YHLZD33 | 1-100 |
| R436 | YHLZD9 | 100A |
| R436 | YHLZD9 | 100B |
| R436 | YHLZD9 | 2-125 |
| R574 | YHLZD33 | 1-95 |
| R574 | YHLZD33 | 2-130 |

25-71-01

 ILLUSTRATED PARTS LIST
 01 Page 1006
 Nov 01/02


BOEING
 COMPONENT
 MAINTENANCE MANUAL

| REFERENCE DESIGNATOR INDEX (SEE SCHEMATIC DIAGRAM) | | |
|--|-------------|----------|
| REFERENCE DESIGNATOR | PART NUMBER | FIG-ITEM |
| R574 | YHLZD33 | 3-785 |
| R575 | YHLZD33 | 1-95 |
| R575 | YHLZD33 | 2-130 |
| R575 | YHLZD33 | 3-785 |
| 1A2 | 285T0018-10 | 1-280 |
| 1A4 | 285T0018-11 | 295 |
| 1A14 | 285T0018-11 | 300 |
| 1A15 | 285T0018-11 | 290 |
| 1A15 | 285T0018-11 | 2-315 |
| 1A17 | 285T0018-10 | 1-275 |
| 1A17 | 285T0018-10 | 2-320 |
| 1A21 | 285T0018-11 | 1-285 |
| 1A21 | 285T0018-11 | 2-310 |

25-71-01

ILLUSTRATED PARTS LIST

01

Page 1007

Nov 01/02

| PART NUMBER | AIRLINE PART NO. | FIG. | ITEM | TTL REQ |
|-------------|---------------------|------|------|------------|
| AMMC6 | | 1 | 60 | 6 |
| | | 2 | 75 | 6 |
| | | 3 | 60 | 6 |
| AMY0770T5 | | 1 | 70 | 1 |
| | | 2 | 105 | 1 |
| | | 2 | 150 | 1 |
| | | 3 | 70 | 1 |
| AMY0940T5 | | 3 | 695 | 1 |
| | | 1 | 65 | 2 |
| | | 2 | 110 | 2 |
| | | 2 | 145 | 2 |
| | | 3 | 65 | 2 |
| AN960D6 | | 3 | 700 | 2 |
| | | 1 | 265A | 1 |
| | | 2 | 300 | 1 |
| | | 3 | 245 | 1 |
| AN960JD4L | | 1 | 40 | 11 |
| | | 2 | 35 | 11 |
| | | 3 | 40 | 11 |
| AN960JD8L | | 1 | 265 | 1 |
| | | 1 | 60 | 6 |
| | | 2 | 75 | 6 |
| BACC49A1 | | 3 | 60 | 6 |
| | | 1 | 365 | 1 |
| | | 2 | 385 | 1 |
| BACM15C1A | | 3 | 325 | 1 |
| | | 1 | 370 | 1 |
| | | 2 | 390 | 1 |
| BACM15C1B | | 3 | 330 | 1 |
| | | 1 | 375 | 1 |
| | | 2 | 395 | 1 |
| BACM15C2A | | 3 | 335 | 1 |
| | | 1 | 380 | 1 |
| | | 2 | 400 | 1 |
| BACM15C3A | | 3 | 340 | 1 |
| | | 1 | 385 | 1 |
| | | 2 | 405 | 1 |
| BACM15C3B | | 3 | 345 | 1 |

25-71-01

 ILLUSTRATED PARTS LIST
 01 Page 1008
 Nov 01/02


BOEING
 COMPONENT
 MAINTENANCE MANUAL

| PART NUMBER | AIRLINE PART NO. | FIG. | ITEM | TTL REQ |
|-------------|---------------------|------|------|------------|
| BACM15C3C | | 1 | 390 | 1 |
| | | 2 | 410 | 1 |
| | | 3 | 350 | 1 |
| BACN10JC04 | | 1 | 50 | 56 |
| | | 1 | 270 | 4 |
| | | 1 | 272 | 2 |
| | | 1 | 273 | 4 |
| BACN10JC04 | | 1 | 625 | 4 |
| | | 2 | 65 | 56 |
| | | 2 | 305 | 4 |
| | | 2 | 307 | 2 |
| | | 2 | 645 | 4 |
| | | 3 | 50A | 56 |
| | | 3 | 250A | 4 |
| | | 3 | 595 | 4 |
| BACN10JC06 | | 1 | 45 | 8 |
| | | 2 | 60 | 8 |
| | | 3 | 45A | 8 |
| BACN10JP04A | | 2 | 95 | 3 |
| BACN10JP04B | | 3 | 685 | 3 |
| BACN10JP04C | | 2 | 90 | 1 |
| BACN10JP04C | | 3 | 680 | 1 |
| BACN10JP04C | | 2 | 100 | 2 |
| BACN10JP04C | | 3 | 690 | 2 |
| BACN10JR06F | | 1 | 660 | 8 |
| | | 2 | 670 | 8 |
| | | 3 | 620 | 8 |
| BACN10TL3-3 | | 1 | 340 | 3 |
| | | 2 | 360 | 3 |
| | | 3 | 300 | 3 |
| BACN10TL3-6 | | 1 | 345 | 2 |
| | | 2 | 365 | 2 |
| | | 3 | 305 | 2 |

25-71-01

ILLUSTRATED PARTS LIST

01

Page 1009

Nov 01/02

| PART NUMBER | AIRLINE PART NO. | FIG. | ITEM | TTL REQ |
|-------------|---------------------|------|------|------------|
| BACR11Y1 | | 1 | 560 | 4 |
| | | 2 | 570 | 4 |
| | | 3 | 520 | 4 |
| BACR15BA3AD | | 1 | 445 | 5 |
| | | 1 | 480 | 4 |
| | | 1 | 655 | 16 |
| | | 2 | 85 | 23 |
| | | 2 | 460 | 5 |
| | | 2 | 495 | 4 |
| | | 3 | 405 | 5 |
| | | 3 | 440 | 4 |
| | | 3 | 675 | 23 |
| | | 3 | 675 | 23 |
| BACR15BA4AD | | 1 | 145 | 24 |
| | | 1 | 425 | 2 |
| | | 2 | 195 | 24 |
| | | 2 | 440 | 2 |
| | | 3 | 125 | 24 |
| | | 3 | 385 | 2 |
| | | 3 | 385 | 2 |
| BACR15BA5AD | | 2 | 665 | 16 |
| BACR15BA5AD | | 3 | 615 | 16 |
| BACR15BB2AD | | 1 | 215 | 144 |
| | | 2 | 255 | 144 |
| | | 3 | 180 | 144 |
| BACR15BB3AD | | 1 | 335 | 10 |
| | | 1 | 485 | 16 |
| | | 1 | 565 | 8 |
| | | 2 | 350 | 10 |
| | | 2 | 500 | 16 |
| | | 2 | 567 | 8 |
| | | 3 | 290 | 10 |
| | | 3 | 445 | 16 |
| | | 3 | 517 | 8 |
| | | 3 | 517 | 8 |
| BACR15BB4 | | 1 | 600 | 2 |
| | | 2 | 610 | 2 |
| | | 3 | 560 | 2 |
| BACR15BB4AD | | 1 | 330 | 20 |
| | | 1 | 575 | 6 |
| | | 2 | 355 | 20 |
| | | 2 | 585 | 6 |
| | | 3 | 295 | 20 |
| | | 3 | 535 | 6 |

25-71-01

 ILLUSTRATED PARTS LIST
 01 Page 1010
 Nov 01/02


BOEING
 COMPONENT
 MAINTENANCE MANUAL

| PART NUMBER | AIRLINE PART NO. | FIG. | ITEM | TTL REQ | |
|---------------|---------------------|------|------|------------|---|
| BACR15BB5AD | | 1 | 400 | 4 | |
| | | 1 | 525 | 9 | |
| | | 1 | 570 | 8 | |
| | | 2 | 420 | 4 | |
| | | 2 | 540 | 8 | |
| | | 2 | 580 | 8 | |
| | | 3 | 365 | 4 | |
| | | 3 | 485 | 8 | |
| | | 3 | 530 | 8 | |
| | BACR15BB6AD | | 1 | 405 | 5 |
| | | | 2 | 425 | 5 |
| | | | 3 | 370 | 5 |
| | BACR15CE5AD | | 2 | 535 | 9 |
| | | 3 | 480 | 9 | |
| BACR15CE5D | | 1 | 520 | 9 | |
| | BACS21Y1R | 1 | 475 | 4 | |
| 2 | | 490A | 4 | | |
| 3 | | 435A | 4 | | |
| BACS53B1AE1 | | 2 | 5 | 1 | |
| | | 3 | 10 | 1 | |
| BACS53B1EA1 | | 1 | 10 | 1 | |
| | BACT44B0770U | 1 | 70 | 1 | |
| | | 2 | 105 | 1 | |
| BACT44B0770U | | 2 | 150 | 1 | |
| | | 3 | 70 | 1 | |
| | | 3 | 695 | 1 | |
| BACT44B0940U | | 1 | 65 | 2 | |
| | | 2 | 110 | 2 | |
| | | 2 | 145 | 2 | |
| | | 3 | 65 | 2 | |
| | | 3 | 700 | 2 | |
| BACW10X4 | | 1 | 470 | 4 | |
| | | 2 | 485 | 4 | |
| | | 3 | 430 | 4 | |
| BAC27EEL22704 | | 1 | 760 | 1 | |
| | | 2 | 765 | 1 | |
| | | 3 | 735 | 1 | |
| BAC27TEC0160 | | 1 | 607 | 1 | |
| | | 2 | 617 | 1 | |
| | | 3 | 567 | 1 | |
| BAC27TEX0882 | | 1 | 735 | 1 | |
| | | 2 | 740 | 1 | |

25-71-01

 ILLUSTRATED PARTS LIST
 01 Page 1011
 Nov 01/02

| PART NUMBER | AIRLINE PART NO. | FIG. | ITEM | TTL REQ |
|--------------|---------------------|------|------|------------|
| BAC27TEX0883 | | 1 | 740 | 1 |
| | | 2 | 745 | 1 |
| BAC27TEX0884 | | 1 | 745 | 1 |
| | | 2 | 750 | 1 |
| BAC27TEX0885 | | 1 | 750 | 1 |
| | | 2 | 755 | 1 |
| BAC27TEX0886 | | 1 | 755 | 1 |
| | | 2 | 760 | 1 |
| BAC27TEX1 | | 1 | 720 | 1 |
| | | 2 | 725 | 1 |
| | | 3 | 725 | 1 |
| BAC27TEX1302 | | 1 | 825 | 1 |
| | | 2 | 810 | 3 |
| | | 3 | 750 | 3 |
| BAC27TEX1316 | | 1 | 820 | 1 |
| | | 2 | 120 | 1 |
| | | 2 | 805 | 1 |
| | | 3 | 710 | 1 |
| | | 3 | 745 | 1 |
| BAC27TEX1993 | | 1 | 765 | 1 |
| | | 2 | 850 | 1 |
| | | 3 | 760 | 1 |
| BAC27TEX2005 | | 1 | 725 | 1 |
| | | 2 | 710 | 1 |
| | | 3 | 715 | 1 |
| BAC27TEX2017 | | 1 | 730 | 1 |
| BAC27TEX2017 | | 2 | 715 | 1 |
| | | 3 | 720 | 1 |
| BAC27TEX2827 | | 1 | 845 | 1 |
| | | 2 | 825 | 1 |
| | | 3 | 905 | 1 |
| BAC27TEX2828 | | 1 | 860 | 1 |
| | | 2 | 830 | 1 |
| | | 3 | 910 | 1 |
| BAC27TEX2860 | | 1 | 700 | 1 |
| BAC27TEX2861 | | 1 | 710 | 1 |
| BAC27TEX2951 | | 1 | 815 | 1 |
| | | 2 | 800 | 1 |
| | | 3 | 740 | 1 |
| BAC27TEX3007 | | 1 | 780 | 1 |
| | | 2 | 780 | 1 |

25-71-01

 ILLUSTRATED PARTS LIST
 01 Page 1012
 Nov 01/02


BOEING
 COMPONENT
 MAINTENANCE MANUAL

| PART NUMBER | AIRLINE PART NO. | FIG. | ITEM | TTL REQ |
|--------------|---------------------|------|------|------------|
| BAC27TEX3008 | | 1 | 785 | 1 |
| BAC27TEX3009 | | 1 | 805 | 1 |
| | | 2 | 785 | 1 |
| BAC27TEX3010 | | 1 | 800 | 1 |
| BAC27TEX3011 | | 1 | 795 | 1 |
| | | 2 | 790 | 1 |
| | | 3 | 885 | 1 |
| BAC27TEX3012 | | 1 | 790 | 1 |
| | | 2 | 795 | 1 |
| | | 3 | 890 | 1 |
| BAC27TEX3018 | | 1 | 835 | 1 |
| | | 2 | 815 | 1 |
| | | 3 | 895 | 1 |
| BAC27TEX3019 | | 1 | 840 | 1 |
| | | 2 | 820 | 1 |
| | | 3 | 900 | 1 |
| BAC27TEX3020 | | 1 | 770 | 1 |
| | | 2 | 770 | 1 |
| | | 3 | 875 | 1 |
| BAC27TEX3021 | | 1 | 775 | 1 |
| | | 2 | 775 | 1 |
| | | 3 | 880 | 1 |
| BAC27TEX3269 | | 1 | 830 | 1 |
| BAC27TEX3311 | | 1 | 810 | 1 |
| | | 2 | 845 | 1 |
| | | 3 | 755 | 1 |
| BAC27TEX3370 | | 1 | 865 | 1 |
| | | 2 | 730 | 1 |
| BAC27TEX3370 | | 3 | 730 | 1 |
| BAC27TEX3546 | | 1 | 850 | 1 |
| | | 2 | 835 | 1 |
| BAC27TEX3547 | | 1 | 855 | 1 |
| | | 2 | 840 | 1 |
| BAC27TEX3553 | | 1 | 870 | 1 |
| BAC27TEX3637 | | 1 | 875 | 1 |
| BAC27TEX3752 | | 1 | 715 | 1 |
| | | 1 | 880 | 1 |
| | | 3 | 820 | 1 |

25-71-01

ILLUSTRATED PARTS LIST

01

Page 1013

Nov 01/02

| PART NUMBER | AIRLINE PART NO. | FIG. | ITEM | TTL REQ |
|--------------|---------------------|------|------|------------|
| BAC27TEX3753 | | 1 | 705 | 1 |
| | | 1 | 885 | 1 |
| | | 3 | 825 | 1 |
| BAC27TEX4041 | | 1 | 890 | 1 |
| | | 2 | 720A | 1 |
| | | 3 | 805 | 1 |
| BAC27TEX4148 | | 1 | 905 | 1 |
| BAC27TEX4322 | | 1 | 895 | 1 |
| BAC27TEX4408 | | 1 | 920 | 1 |
| | | 2 | 735 | 1 |
| BAC27TEX4412 | | 1 | 925 | 1 |
| BAC27TEX4413 | | 1 | 930 | 1 |
| | | 3 | 845 | 1 |
| BAC27TEX4414 | | 1 | 935 | 1 |
| | | 3 | 860 | 1 |
| BAC27TEX4422 | | 1 | 900 | 1 |
| | | 3 | 815 | 1 |
| BAC27TEX4561 | | 1 | 940 | 1 |
| | | 3 | 855 | 1 |
| BAC27TEX4626 | | 1 | 945 | 1 |
| | | 1 | 910 | 1 |
| BAC27TEX4770 | | 3 | 800 | 1 |
| | | 1 | 915 | 1 |
| BAC27TEX4777 | | 2 | 720 | 1 |
| | | 3 | 810 | 1 |
| | | 2 | 735A | 1 |
| BAC27TEX4793 | | 3 | 850 | 1 |
| | | 3 | 830 | 1 |
| BAC27TEX5048 | | 3 | 865 | 1 |
| BAC27TEX5305 | | 3 | 835 | 1 |
| BAC27TEX5321 | | 3 | 740A | 1 |
| BAC27TEX5451 | | 3 | 870 | 1 |
| BAC27TEX5452 | | 3 | | |

25-71-01

 ILLUSTRATED PARTS LIST
 01 Page 1014
 Nov 01/02


BOEING
 COMPONENT
 MAINTENANCE MANUAL

| PART NUMBER | AIRLINE PART NO. | FIG. | ITEM | TTL REQ |
|--------------|---------------------|------|------|------------|
| BAC27TEX5616 | | 3 | 840 | 1 |
| BRF200A06 | | 1 | 660 | 8 |
| | | 2 | 670 | 8 |
| BRF200A06 | | 3 | 620 | 8 |
| BRH10A04 | | 1 | 50 | 56 |
| | | 1 | 270 | 4 |
| | | 1 | 272 | 2 |
| | | 1 | 273 | 4 |
| | | 1 | 625 | 4 |
| | | 2 | 65 | 56 |
| | | 2 | 305 | 4 |
| | | 2 | 307 | 2 |
| | | 2 | 645 | 4 |
| | | 3 | 50A | 56 |
| | | 3 | 250A | 4 |
| | | 3 | 595 | 4 |
| BRH10A06 | | 1 | 45 | 8 |
| | | 2 | 60 | 8 |
| | | 3 | 45A | 8 |
| BRM100A04L | | 2 | 90 | 1 |
| | | 3 | 680 | 1 |
| BRM200A04L | | 2 | 95 | 3 |
| | | 3 | 685 | 3 |
| BRM300A04L | | 2 | 100 | 2 |
| | | 3 | 690 | 2 |
| FAB278 | | 1 | 60 | 6 |
| | | 2 | 75 | 6 |
| | | 3 | 60 | 6 |
| F5000-06BAC | | 1 | 660 | 8 |
| | | 2 | 670 | 8 |
| | | 3 | 620 | 8 |
| H10-04BAC | | 1 | 50 | 56 |
| | | 1 | 270 | 4 |
| | | 1 | 272 | 2 |
| | | 1 | 273 | 4 |
| | | 1 | 625 | 4 |
| | | 2 | 65 | 56 |
| | | 2 | 305 | 4 |
| | | 2 | 307 | 2 |
| | | 2 | 645 | 4 |
| | | 3 | 50A | 56 |
| | | 3 | 250A | 4 |
| | | 3 | 595 | 4 |

25-71-01

ILLUSTRATED PARTS LIST

01

Page 1015

Nov 01/02

| PART NUMBER | AIRLINE PART NO. | FIG. | ITEM | TTL REQ |
|----------------|---------------------|------|------|------------|
| H10-06BAC | | 1 | 45 | 8 |
| | | 2 | 60 | 8 |
| | | 3 | 45A | 8 |
| H28-1 | | 1 | 60 | 6 |
| | | 2 | 75 | 6 |
| H28-1 | | 3 | 60 | 6 |
| MK1000-04BAC | | 2 | 95 | 3 |
| | | 3 | 685 | 3 |
| MK2000-04BAC | | 2 | 90 | 1 |
| | | 3 | 680 | 1 |
| MK3000-04BAC | | 2 | 100 | 2 |
| | | 3 | 690 | 2 |
| MS20253P2-1950 | | 1 | 535 | 1 |
| | | 2 | 550 | 1 |
| | | 3 | 500 | 1 |
| MS21042L04 | | 1 | 55 | 11 |
| | | 2 | 55 | 11 |
| | | 2 | 65A | 56 |
| | | 2 | 305A | 4 |
| | | 3 | 50 | 56 |
| | | 3 | 55 | 11 |
| | | 3 | 250 | 4 |
| | | 3 | 253 | 2 |
| | | 3 | 255 | 2 |
| | | 3 | 257 | 2 |
| MS21042L06 | | 3 | 260 | 2 |
| | | 3 | 261 | 2 |
| | | 2 | 60A | 8 |
| MS21209C0615 | | 3 | 45 | 8 |
| | | 1 | 170 | 12 |
| | | 1 | 175 | 6 |
| | | 2 | 210 | 12 |
| | | 2 | 215 | 12 |
| | | 3 | 140 | 12 |
| | | 3 | 145 | 6 |
| | | 3 | 145 | 6 |

25-71-01

 ILLUSTRATED PARTS LIST
 01 Page 1016
 Nov 01/02


BOEING
 COMPONENT
 MAINTENANCE MANUAL

| PART NUMBER | AIRLINE PART NO. | FIG. | ITEM | TTL REQ |
|---------------|---------------------|------|------|------------|
| MS35338-40 | | 3 | 240 | 2 |
| MS35388-44 | | 1 | 320 | 1 |
| | | 2 | 340 | 1 |
| | | 3 | 280 | 1 |
| MS38338-40 | | 1 | 260 | 34 |
| | | 1 | 262 | 4 |
| | | 1 | 263 | 2 |
| | | 2 | 295 | 38 |
| | | 2 | 297 | 2 |
| | | 3 | 230 | 30 |
| | | 3 | 232 | 2 |
| | | 3 | 235 | 2 |
| | | 3 | 237 | 2 |
| NAS1149DN416H | | 2 | 40 | 6 |
| | | 3 | 40A | 11 |
| NAS1149DN416H | | 3 | 665 | 6 |
| NAS1149DN632H | | 2 | 300A | 1 |
| | | 3 | 245A | 1 |
| NAS1149DN632J | | 2 | 640A | 8 |
| | | 3 | 590A | 8 |
| NAS1149FN632P | | 1 | 640 | 8 |
| | | 3 | 590 | 8 |
| NAS1801-04-4 | | 1 | 250 | 4 |
| | | 1 | 252 | 34 |
| | | 1 | 253 | 4 |
| | | 2 | 285 | 4 |
| | | 2 | 287 | 2 |
| | | 3 | 210 | 4 |
| | | 3 | 213 | 2 |
| | | 3 | 215 | 2 |
| | | 3 | 216 | 2 |
| | | 3 | 217 | 2 |
| | | 3 | 220 | 2 |

25-71-01

 ILLUSTRATED PARTS LIST
 01 Page 1017
 Nov 01/02

| PART NUMBER | AIRLINE PART NO. | FIG. | ITEM | TTL REQ | | |
|---------------|---------------------|--------------|------|------------|----|----|
| NAS1801-04-5 | | 1 | 20 | 56 | | |
| | | 1 | 245 | 34 | | |
| | | 1 | 246 | 2 | | |
| | | 1 | 247 | 2 | | |
| | | 1 | 620 | 4 | | |
| | | 2 | 10 | 6 | | |
| | | 2 | 25 | 56 | | |
| | | 2 | 280 | 36 | | |
| | | 2 | 282 | 2 | | |
| | | 2 | 630 | 4 | | |
| | | 3 | 20 | 56 | | |
| | | 3 | 195 | 30 | | |
| | | 3 | 197 | 2 | | |
| | | 3 | 200 | 2 | | |
| | | 3 | 202 | 2 | | |
| | | 3 | 205 | 2 | | |
| | | 3 | 580 | 4 | | |
| | | 3 | 660 | 6 | | |
| | | NAS1801-04-6 | | 1 | 25 | 11 |
| | | | | 2 | 15 | 11 |
| 3 | 25 | | | 11 | | |
| NAS1801-06-11 | | 1 | 255 | 1 | | |
| | | 2 | 290 | 1 | | |
| | | 3 | 225 | 1 | | |
| NAS1801-06-5 | | 1 | 15 | 8 | | |
| | | 1 | 125 | 12 | | |
| NAS1801-06-5 | | 1 | 315 | 11 | | |
| | | 1 | 635 | 8 | | |
| | | 2 | 20 | 8 | | |
| | | 2 | 175 | 11 | | |
| | | 2 | 335 | 12 | | |
| | | 2 | 635 | 8 | | |
| | | 3 | 15 | 8 | | |
| | | 3 | 105 | 11 | | |
| | | 3 | 275 | 12 | | |
| | | 3 | 585 | 8 | | |
| NAS42DD4-4 | | 1 | 615 | 1 | | |
| | | 2 | 625 | 2 | | |
| | | 3 | 575 | 2 | | |
| NAS603-7P | | 1 | 350 | 5 | | |
| | | 2 | 370 | 5 | | |
| | | 3 | 310 | 5 | | |

25-71-01

 ILLUSTRATED PARTS LIST
 01 Page 1018
 Nov 01/02


BOEING
 COMPONENT
 MAINTENANCE MANUAL

| PART NUMBER | AIRLINE PART NO. | FIG. | ITEM | TTL REQ |
|-------------|---------------------|------|------|------------|
| NAS620A4L | | 1 | 35 | 56 |
| | | 2 | 50 | 56 |
| | | 3 | 35 | 56 |
| NAS620A6L | | 1 | 30 | 8 |
| | | 2 | 45 | 8 |
| | | 3 | 30 | 8 |
| NS103197-40 | | 2 | 95 | 3 |
| | | 3 | 685 | 3 |
| NS103198-40 | | 2 | 90 | 1 |
| | | 3 | 680 | 1 |
| NS103199-40 | | 2 | 100 | 2 |
| | | 3 | 690 | 2 |
| NS103203-62 | | 1 | 660 | 8 |
| | | 2 | 670 | 8 |
| | | 3 | 620 | 8 |
| NS202101-40 | | 1 | 50 | 56 |
| | | 1 | 270 | 4 |
| | | 1 | 272 | 2 |
| | | 1 | 273 | 4 |
| | | 1 | 625 | 4 |
| | | 2 | 65 | 56 |
| | | 2 | 305 | 4 |
| | | 2 | 307 | 2 |
| | | 2 | 645 | 4 |
| | | 3 | 50A | 56 |
| | | 3 | 250A | 4 |
| NS202101-62 | | 1 | 45 | 8 |
| | | 2 | 60 | 8 |
| NS202101-62 | | 3 | 45A | 8 |
| | | 2 | 95 | 3 |
| RMA9201M40 | | 3 | 685 | 3 |
| RMA9205M40 | | 2 | 100 | 2 |
| | | 3 | 690 | 2 |
| RMA9207M40 | | 2 | 90 | 1 |
| | | 3 | 680 | 1 |
| RMF9201-62 | | 1 | 660 | 8 |
| | | 2 | 670 | 8 |
| | | 3 | 620 | 8 |

25-71-01

 ILLUSTRATED PARTS LIST
 01 Page 1019
 Nov 01/02

| PART NUMBER | AIRLINE PART NO. | FIG. | ITEM | TTL REQ |
|--------------|---------------------|------|------|------------|
| RMLH9075-40W | | 1 | 50 | 56 |
| | | 1 | 270 | 4 |
| | | 1 | 272 | 2 |
| | | 1 | 273 | 4 |
| | | 1 | 625 | 4 |
| | | 2 | 65 | 56 |
| | | 2 | 305 | 4 |
| | | 2 | 307 | 2 |
| | | 2 | 645 | 4 |
| | | 3 | 50A | 56 |
| | | 3 | 250A | 4 |
| | | 3 | 595 | 4 |
| | RMLH9075-62W | | 1 | 45 |
| | | 2 | 60 | 8 |
| | | 3 | 45A | 8 |
| STBP19M12 | | 1 | 355 | 5 |
| | | 2 | 375 | 5 |
| | | 3 | 315 | 5 |
| TBH120450 | | 1 | 380 | 1 |
| | | 2 | 400 | 1 |
| | | 3 | 340 | 1 |
| TBH120452 | | 1 | 385 | 1 |
| | | 2 | 405 | 1 |
| | | 3 | 345 | 1 |
| TBH120454 | | 1 | 390 | 1 |
| | | 2 | 410 | 1 |
| | | 3 | 350 | 1 |
| TM3S10 | | 1 | 355 | 5 |
| | | 2 | 375 | 5 |
| | | 3 | 315 | 5 |
| T6S440J | | 1 | 50 | 56 |
| | | 1 | 270 | 4 |
| | | 1 | 272 | 2 |
| | | 1 | 273 | 4 |
| T6S440J | | 1 | 625 | 4 |
| | | 2 | 65 | 56 |
| | | 2 | 305 | 4 |
| | | 2 | 307 | 2 |
| | | 2 | 645 | 4 |
| | | 3 | 50A | 56 |
| | | 3 | 250A | 4 |
| | | 3 | 595 | 4 |

25-71-01

 ILLUSTRATED PARTS LIST
 01 Page 1020
 Nov 01/02


BOEING
 COMPONENT
 MAINTENANCE MANUAL

| PART NUMBER | AIRLINE PART NO. | FIG. | ITEM | TTL REQ |
|----------------|---------------------|------|------|------------|
| T6S632J | | 1 | 45 | 8 |
| | | 2 | 60 | 8 |
| | | 3 | 45A | 8 |
| T8076S440 | | 2 | 95 | 3 |
| | | 3 | 685 | 3 |
| T8077S440 | | 2 | 90 | 1 |
| | | 3 | 680 | 1 |
| T8078S440 | | 2 | 100 | 2 |
| | | 3 | 690 | 2 |
| T8091S632 | | 1 | 660 | 8 |
| | | 2 | 670 | 8 |
| | | 3 | 620 | 8 |
| UP103 | | 1 | 60 | 6 |
| | | 2 | 75 | 6 |
| | | 3 | 60 | 6 |
| VNS1924CA1-8 | | 1 | 10 | 1 |
| | | 2 | 5 | 1 |
| | | 3 | 10 | 1 |
| VNS1924CA3-1-8 | | 1 | 10 | 1 |
| | | 2 | 5 | 1 |
| | | 3 | 10 | 1 |
| VN152A1-62 | | 1 | 660 | 8 |
| | | 2 | 670 | 8 |
| | | 3 | 620 | 8 |
| VN201A1-40L | | 2 | 90 | 1 |
| | | 3 | 680 | 1 |
| VN202A1-40L | | 2 | 95 | 3 |
| | | 3 | 685 | 3 |
| VN203A1-40L | | 2 | 100 | 2 |
| | | 3 | 690 | 2 |
| VN303A40 | | 1 | 50 | 56 |
| | | 1 | 270 | 4 |
| | | 1 | 272 | 2 |
| | | 1 | 273 | 4 |
| | | 1 | 625 | 4 |
| | | 2 | 65 | 56 |
| | | 2 | 305 | 4 |
| | | 2 | 307 | 4 |
| VN303A40 | | 2 | 645 | 4 |
| | | 3 | 50A | 56 |
| | | 3 | 250A | 4 |
| | | 3 | 595 | 4 |

25-71-01

 ILLUSTRATED PARTS LIST
 01 Page 1021
 Nov 01/02

| PART NUMBER | AIRLINE PART NO. | FIG. | ITEM | TTL REQ | | |
|-------------|---------------------|---------|------|------------|-----|---|
| VN303A62 | | 1 | 45 | 8 | | |
| | | 2 | 60 | 8 | | |
| | | 3 | 45A | 8 | | |
| WSI4-3 | | 1 | 340 | 3 | | |
| | | 2 | 360 | 3 | | |
| | | 3 | 300 | 3 | | |
| WSI4-6 | | 1 | 345 | 2 | | |
| | | 2 | 365 | 2 | | |
| | | 3 | 305 | 2 | | |
| YHLZD30 | | 1 | 75 | 8 | | |
| | | 1 | 80 | 1 | | |
| | | 1 | 85 | 2 | | |
| | | 1 | 90 | 2 | | |
| | | 1 | 100C | 2 | | |
| | | 2 | 135 | 8 | | |
| | | 2 | 140 | 2 | | |
| | | 3 | 75 | 6 | | |
| | | 3 | 80 | 2 | | |
| | | 3 | 790 | 2 | | |
| | | 3 | 795 | 2 | | |
| | | YHLZD33 | | 1 | 95 | 2 |
| | | | | 1 | 100 | 2 |
| 2 | 130 | | | 2 | | |
| 3 | 785 | | | 2 | | |
| 1 | 100A | | | 2 | | |
| YHLZD9 | | 2 | 125 | 2 | | |
| | | 1 | 360 | 5 | | |
| YHLZG16-1 | | 2 | 380 | 5 | | |
| | | 3 | 320 | 5 | | |
| | | 1 | 380 | 1 | | |
| YHLZ16-2 | | 2 | 400 | 1 | | |
| | | 3 | 340 | 1 | | |
| | | 1 | 385 | 1 | | |
| YHLZ16-4 | | 2 | 405 | 1 | | |
| | | 3 | 345 | 1 | | |
| | | 1 | 390 | 1 | | |
| YHLZ16-8 | | 2 | 410 | 1 | | |
| | | 3 | 350 | 1 | | |

25-71-01

 ILLUSTRATED PARTS LIST
 01 Page 1022
 Nov 01/02


BOEING
 COMPONENT
 MAINTENANCE MANUAL

| PART NUMBER | AIRLINE PART NO. | FIG. | ITEM | TTL REQ |
|--------------|---------------------|------|------|------------|
| YHLZ2 | | 1 | 365 | 1 |
| YHLZ2 | | 2 | 385 | 1 |
| | | 3 | 325 | 1 |
| YHLZ22 | | 1 | 365 | 1 |
| | | 2 | 385 | 1 |
| | | 3 | 325 | 1 |
| YHLZ4 | | 1 | 370 | 1 |
| | | 2 | 390 | 1 |
| | | 3 | 330 | 1 |
| YHLZ44 | | 1 | 370 | 1 |
| | | 2 | 390 | 1 |
| | | 3 | 330 | 1 |
| YHLZ8 | | 1 | 375 | 1 |
| | | 2 | 395 | 1 |
| | | 3 | 335 | 1 |
| 108-0740-001 | | 1 | 325 | 1 |
| | | 2 | 345 | 1 |
| | | 3 | 285 | 1 |
| 1127700 | | 1 | 470 | 4 |
| | | 2 | 485 | 4 |
| | | 3 | 430 | 4 |
| 217T1435-2 | | 1 | 610 | 1 |
| | | 2 | 620 | 1 |
| | | 3 | 570 | 1 |
| 217T1436-1 | | 1 | 605 | 1 |
| | | 2 | 615 | 1 |
| | | 3 | 565 | 1 |
| 217T2113-1 | | 1 | 595 | 1 |
| | | 2 | 605 | 1 |
| | | 3 | 555 | 1 |
| 217T2113-4 | | 2 | 627 | 1 |
| | | 3 | 577 | 1 |
| 24BX2-12-3L | | 1 | 220 | 24 |
| | | 2 | 260 | 24 |
| | | 3 | 185 | 24 |
| 24BX2-12-3R | | 1 | 225 | 12 |
| | | 2 | 262 | 12 |
| | | 2 | 265 | 12 |
| | | 3 | 187 | 24 |
| 2600LW | | 1 | 470 | 4 |
| | | 2 | 485 | 4 |
| | | 3 | 430 | 4 |

25-71-01

 ILLUSTRATED PARTS LIST
 01 Page 1023
 Nov 01/02

| PART NUMBER | AIRLINE PART NO. | FIG. | ITEM | TTL REQ |
|--------------|---------------------|------|------|------------|
| 285T0006-100 | | 1 | 3E | 1 |
| | | 3 | 1U | 1 |
| 285T0006-101 | | 1 | 3F | 1 |
| | | 3 | 1V | 1 |
| 285T0006-107 | | 1 | 3G | 1 |
| | | 3 | 1W | 1 |
| 285T0006-108 | | 1 | 3H | 1 |
| | | 3 | 1X | 1 |
| 285T0006-109 | | 1 | 3J | 1 |
| | | 3 | 1Y | 1 |
| 285T0006-11 | | 1 | 395 | 1 |
| 285T0006-110 | | 1 | 3K | 1 |
| | | 3 | 1Z | 1 |
| 285T0006-111 | | 3 | 360B | 1 |
| 285T0006-112 | | 1 | 3L | 1 |
| | | 3 | 2 | 1 |
| 285T0006-113 | | 1 | 3M | 1 |
| | | 3 | 2A | 1 |
| 285T0006-114 | | 1 | 3N | 1 |
| | | 3 | 2B | 1 |
| 285T0006-115 | | 1 | 3P | 1 |
| | | 3 | 2C | 1 |
| 285T0006-116 | | 1 | 3Q | 1 |
| | | 3 | 2D | 1 |
| 285T0006-117 | | 1 | 3R | 1 |
| | | 2 | 1E | 1 |
| 285T0006-118 | | 1 | 3S | 1 |
| | | 3 | 2E | 1 |
| 285T0006-119 | | 1 | 3T | 1 |
| | | 3 | 2F | 1 |
| 285T0006-120 | | 1 | 3U | 1 |
| | | 3 | 2G | 1 |
| 285T0006-121 | | 1 | 3V | 1 |
| | | 3 | 2H | 1 |
| 285T0006-122 | | 1 | 3W | 1 |
| | | 3 | 2J | 1 |
| 285T0006-123 | | 3 | 360C | 1 |
| 285T0006-124 | | 2 | 415A | 1 |
| | | 3 | 360D | 1 |

25-71-01

 ILLUSTRATED PARTS LIST
 01 Page 1024
 Nov 01/02


BOEING
 COMPONENT
 MAINTENANCE MANUAL

| PART NUMBER | AIRLINE PART NO. | FIG. | ITEM | TTL REQ |
|--------------|---------------------|------|------|------------|
| 285T0006-125 | | 3 | 360E | 1 |
| 285T0006-126 | | 1 | 3X | 1 |
| | | 3 | 2K | 1 |
| 285T0006-127 | | 1 | 3Y | 1 |
| | | 3 | 2L | 1 |
| 285T0006-128 | | 1 | 3Z | 1 |
| | | 3 | 2M | 1 |
| 285T0006-129 | | 1 | 4 | 1 |
| | | 3 | 2N | 1 |
| 285T0006-130 | | 1 | 4A | 1 |
| 285T0006-130 | | 3 | 2P | 1 |
| 285T0006-131 | | 1 | 4B | 1 |
| | | 3 | 2Q | 1 |
| 285T0006-132 | | 1 | 4C | 1 |
| | | 3 | 2R | 1 |
| 285T0006-133 | | 1 | 4D | 1 |
| | | 3 | 2S | 1 |
| 285T0006-16 | | 1 | 1A | 1 |
| 285T0006-22 | | 1 | 395A | 1 |
| 285T0006-23 | | 1 | 1F | 1 |
| 285T0006-24 | | 1 | 1G | 1 |
| 285T0006-25 | | 1 | 395B | 1 |
| 285T0006-26 | | 1 | 395C | 1 |
| 285T0006-27 | | 1 | 1H | 1 |
| 285T0006-28 | | 1 | 1J | 1 |
| 285T0006-30 | | 1 | 1K | 1 |
| 285T0006-32 | | 1 | 1L | 1 |
| 285T0006-37 | | 1 | 1M | 1 |
| 285T0006-38 | | 1 | 395D | 1 |
| | | 3 | 360 | 1 |
| 285T0006-39 | | 1 | 1N | 1 |
| 285T0006-4 | | 1 | 120 | 1 |
| | | 2 | 170 | 1 |
| | | 3 | 100 | 1 |
| 285T0006-40 | | 1 | 1P | 1 |
| 285T0006-5 | | 1 | 105 | 3 |
| | | 2 | 155 | 3 |
| | | 3 | 85 | 3 |
| 285T0006-50 | | 1 | 1V | 1 |
| 285T0006-58 | | 1 | 2 | 1 |

25-71-01

ILLUSTRATED PARTS LIST

01

Page 1025

Nov 01/02

| PART NUMBER | AIRLINE PART NO. | FIG. | ITEM | TTL REQ |
|---------------|---------------------|------|------|------------|
| 285T0006-59 | | 1 | 2A | 1 |
| 285T0006-60 | | 1 | 2B | 1 |
| 285T0006-62 | | 1 | 2C | 1 |
| 285T0006-63 | | 1 | 2D | 1 |
| | | 2 | 1A | 1 |
| 285T0006-64 | | 1 | 2E | 1 |
| | | 3 | 1A | 1 |
| 285T0006-68 | | 1 | 2H | 1 |
| | | 3 | 1B | 1 |
| 285T0006-69 | | 1 | 2J | 1 |
| | | 3 | 1C | 1 |
| 285T0006-70 | | 1 | 2K | 1 |
| | | 3 | 1D | 1 |
| 285T0006-7001 | | 3 | 5 | 1 |
| 285T0006-71 | | 1 | 2L | 1 |
| | | 3 | 1E | 1 |
| 285T0006-72 | | 1 | 2M | 1 |
| | | 3 | 1F | 1 |
| 285T0006-74 | | 1 | 2N | 1 |
| | | 3 | 1G | 1 |
| 285T0006-75 | | 1 | 2P | 1 |
| | | 3 | 1H | 1 |
| 285T0006-76 | | 1 | 2Q | 1 |
| | | 3 | 1J | 1 |
| 285T0006-77 | | 1 | 2R | 1 |
| | | 3 | 1K | 1 |
| 285T0006-78 | | 2 | 415 | 1 |
| | | 3 | 360A | 1 |
| 285T0006-79 | | 1 | 2S | 1 |
| | | 3 | 1L | 1 |
| 285T0006-81 | | 1 | 2T | 1 |
| | | 3 | 1M | 1 |
| 285T0006-82 | | 1 | 2U | 1 |
| | | 3 | 1N | 1 |
| 285T0006-83 | | 1 | 2V | 1 |
| | | 3 | 1P | 1 |
| 285T0006-84 | | 1 | 2W | 1 |
| | | 3 | 1Q | 1 |
| 285T0006-85 | | 1 | 2X | 1 |
| | | 3 | 1R | 1 |

25-71-01

 ILLUSTRATED PARTS LIST
 01 Page 1026
 Nov 01/02


BOEING
 COMPONENT
 MAINTENANCE MANUAL

| PART NUMBER | AIRLINE PART NO. | FIG. | ITEM | TTL REQ |
|-------------|---------------------|------|------|------------|
| 285T0006-86 | | 1 | 2Y | 1 |
| | | 3 | 1S | 1 |
| 285T0006-87 | | 1 | 2Z | 1 |
| | | 3 | 1T | 1 |
| 285T0006-88 | | 1 | 3 | 1 |
| | | 2 | 1B | 1 |
| 285T0006-89 | | 1 | 3A | 1 |
| | | 2 | 1C | 1 |
| 285T0006-90 | | 1 | 3B | 1 |
| | | 2 | 1D | 1 |
| 285T0006-97 | | 1 | 3C | 1 |
| 285T0018-10 | | 1 | 275 | 1 |
| | | 1 | 280 | 1 |
| | | 2 | 320 | 1 |
| | | 3 | 270 | 1 |
| | | 3 | 273 | 1 |
| 285T0018-11 | | 1 | 285 | 1 |
| | | 1 | 290 | 1 |
| | | 1 | 295 | 1 |
| | | 1 | 300 | 1 |
| | | 2 | 310 | 1 |
| | | 2 | 315 | 1 |
| | | 3 | 265 | 1 |
| | | 3 | 267 | 1 |
| | | 3 | 268 | 1 |
| | | 3 | 269 | 1 |
| 285T0018-6 | | 1 | 115 | 2 |
| | | 2 | 160A | 2 |
| | | 2 | 165 | 1 |
| | | 2 | 167 | 1 |
| | | 3 | 95 | 2 |
| 285T0018-7 | | 1 | 110 | 2 |
| | | 2 | 160 | 2 |
| | | 2 | 162 | 1 |
| | | 2 | 167A | 1 |
| | | 3 | 90 | 2 |
| 285T0018-9 | | 1 | 580 | 4 |
| | | 2 | 568 | 4 |
| | | 3 | 518 | 4 |
| 285T0155-3 | | 1 | 585 | 1 |
| | | 2 | 595 | 1 |
| | | 3 | 545 | 1 |

25-71-01

 ILLUSTRATED PARTS LIST
 01 Page 1027
 Nov 01/02

| PART NUMBER | AIRLINE PART NO. | FIG. | ITEM | TTL REQ |
|--------------|---------------------|------|------|------------|
| 285T0155-8 | | 1 | 585B | 1 |
| | | 2 | 595A | 1 |
| | | 3 | 545A | 1 |
| 285T0222-4 | | 1 | 190 | 8 |
| | | 2 | 235 | 4 |
| | | 2 | 237 | 4 |
| | | 3 | 160 | 4 |
| | | 3 | 162 | 4 |
| 285T0224-4 | | 1 | 195B | 8 |
| 285T0296-100 | | 2 | 115 | 1 |
| | | 3 | 705 | 1 |
| 285T0296-101 | | 1 | 555A | 1 |
| | | 2 | 565A | 1 |
| | | 3 | 515A | 1 |
| 285T0296-102 | | 2 | 685 | 1 |
| | | 3 | 635A | 1 |
| 285T0296-106 | | 2 | 660A | 1 |
| | | 3 | 610B | 1 |
| | | 3 | 610C | 1 |
| 285T0296-107 | | 3 | 640C | 1 |
| 285T0296-108 | | 3 | 640C | 1 |
| 285T0296-109 | | 1 | 540A | 1 |
| 285T0296-110 | | 1 | 530A | 1 |
| 285T0296-2 | | 1 | 670 | 1 |
| | | 2 | 680 | 1 |
| | | 3 | 630 | 1 |
| 285T0296-21 | | 1 | 160 | 3 |
| | | 2 | 200 | 3 |
| | | 3 | 130 | 3 |
| 285T0296-22 | | 1 | 165 | 3 |
| | | 2 | 205 | 3 |
| | | 3 | 135 | 3 |
| 285T0296-23 | | 1 | 180 | 3 |
| | | 2 | 225 | 3 |
| | | 3 | 150 | 3 |
| 285T0296-24 | | 1 | 185 | 3 |
| | | 2 | 230 | 3 |
| | | 3 | 155 | 3 |
| 285T0296-28 | | 1 | 550 | 1 |
| 285T0296-29 | | 1 | 460 | 1 |
| | | 2 | 475 | 1 |
| | | 3 | 420 | 1 |
| 285T0296-3 | | 1 | 675 | 1 |

25-71-01

 ILLUSTRATED PARTS LIST
 01 Page 1028
 Nov 01/02


BOEING
 COMPONENT
 MAINTENANCE MANUAL

| PART NUMBER | AIRLINE PART NO. | FIG. | ITEM | TTL REQ |
|-------------|---------------------|------|------|------------|
| 285T0296-3 | | 2 | 685A | 1 |
| | | 3 | 635 | 1 |
| 285T0296-40 | | 1 | 495 | 1 |
| 285T0296-41 | | 1 | 500 | 3 |
| | | 2 | 510 | 2 |
| | | 2 | 512 | 1 |
| | | 3 | 455 | 2 |
| | | 3 | 457 | 1 |
| | | 1 | 505 | 2 |
| 285T0296-42 | | 2 | 515 | 1 |
| | | 2 | 517 | 1 |
| | | 3 | 460 | 1 |
| | | 3 | 462 | 1 |
| 285T0296-43 | | 1 | 205 | 1 |
| | | 2 | 247 | 1 |
| | | 3 | 172 | 1 |
| | | 1 | 240 | 1 |
| 285T0296-44 | | 2 | 272 | 1 |
| | | 3 | 191 | 1 |
| 285T0296-45 | | 1 | 140 | 1 |
| | | 2 | 190 | 1 |
| 285T0296-46 | | 1 | 200 | 2 |
| | | 2 | 245 | 2 |
| | | 3 | 170 | 2 |
| | | 1 | 230 | 2 |
| 285T0296-47 | | 2 | 270 | 2 |
| | | 3 | 190 | 2 |
| 285T0296-5 | | 1 | 665 | 1 |
| | | 2 | 675 | 1 |
| | | 3 | 625 | 1 |
| | | 1 | 130 | 1 |
| 285T0296-51 | | 2 | 180 | 1 |
| 285T0296-52 | | 1 | 465 | 1 |
| 285T0296-53 | | 1 | 450 | 1 |
| | | 2 | 465 | 1 |
| | | 3 | 410 | 1 |
| | | 1 | 410 | 2 |
| 285T0296-54 | | 1 | 435 | 1 |
| | | 2 | 450 | 1 |
| | | 3 | 395 | 1 |
| | | 1 | 440 | 1 |
| 285T0296-55 | | | | |

25-71-01

 ILLUSTRATED PARTS LIST
 01 Page 1029
 Nov 01/02

| PART NUMBER | AIRLINE PART NO. | FIG. | ITEM | TTL REQ |
|-------------|---------------------|------|------|------------|
| 285T0296-56 | | 1 | 305 | 1 |
| | | 3 | 770 | 1 |
| 285T0296-57 | | 1 | 650 | 1 |
| | | 3 | 610 | 1 |
| 285T0296-59 | | 1 | 310 | 1 |
| | | 3 | 780 | 1 |
| 285T0296-6 | | 1 | 645 | 1 |
| | | 2 | 655 | 1 |
| | | 3 | 605 | 1 |
| 285T0296-60 | | 1 | 235 | 1 |
| | | 2 | 275 | 1 |
| | | 3 | 192 | 1 |
| 285T0296-61 | | 1 | 210 | 1 |
| | | 2 | 250 | 1 |
| | | 3 | 175 | 1 |
| 285T0296-62 | | 1 | 135 | 1 |
| | | 2 | 185 | 1 |
| 285T0296-65 | | 1 | 630 | 1 |
| | | 2 | 650 | 1 |
| | | 3 | 600 | 1 |
| 285T0296-66 | | 1 | 680 | 1 |
| | | 3 | 640 | 1 |
| | | 1 | 590 | 1 |
| 285T0296-67 | | 1 | 465A | 1 |
| 285T0296-68 | | 1 | 510A | 4 |
| 285T0296-69 | | 1 | 490 | 4 |
| 285T0296-70 | | 1 | 495A | 1 |
| 285T0296-71 | | 2 | 525 | 1 |
| | | 3 | 470 | 1 |
| | | 1 | 465B | 1 |
| 285T0296-72 | | 2 | 480 | 1 |
| | | 3 | 425 | 1 |
| | | 1 | 510 | 4 |
| 285T0296-73 | | 2 | 520 | 4 |
| | | 3 | 465 | 4 |
| | | 1 | 490A | 4 |
| 285T0296-74 | | 2 | 505 | 4 |
| | | 3 | 450 | 4 |
| | | 1 | 440A | 1 |
| 285T0296-75 | | 2 | 455 | 1 |
| | | 3 | 400 | 1 |

25-71-01

 ILLUSTRATED PARTS LIST
 01 Page 1030
 Nov 01/02


BOEING
 COMPONENT
 MAINTENANCE MANUAL

| PART NUMBER | AIRLINE PART NO. | FIG. | ITEM | TTL REQ |
|-------------|---------------------|------|------|------------|
| 285T0296-76 | | 1 | 455 | 1 |
| 285T0296-76 | | 2 | 470 | 1 |
| | | 3 | 415 | 1 |
| 285T0296-77 | | 1 | 530 | 1 |
| | | 2 | 545 | 1 |
| | | 3 | 495 | 1 |
| 285T0296-78 | | 1 | 555 | 1 |
| | | 2 | 565 | 1 |
| | | 3 | 515 | 1 |
| 285T0296-79 | | 1 | 415 | 1 |
| | | 2 | 430 | 1 |
| | | 3 | 375 | 1 |
| 285T0296-8 | | 1 | 515 | 1 |
| | | 2 | 530 | 1 |
| | | 3 | 475 | 1 |
| 285T0296-80 | | 1 | 420 | 1 |
| | | 2 | 435 | 1 |
| | | 3 | 380 | 1 |
| 285T0296-81 | | 1 | 430 | 1 |
| | | 2 | 445 | 1 |
| | | 3 | 390 | 1 |
| 285T0296-82 | | 1 | 680A | 1 |
| | | 2 | 690 | 1 |
| | | 3 | 640A | 1 |
| 285T0296-83 | | 1 | 540 | 1 |
| | | 2 | 555 | 1 |
| | | 3 | 505 | 1 |
| 285T0296-84 | | 1 | 545 | 1 |
| | | 2 | 560 | 1 |
| | | 3 | 510 | 1 |
| 285T0296-88 | | 1 | 590A | 1 |
| | | 2 | 600 | 1 |
| | | 3 | 550 | 1 |
| 285T0296-89 | | 1 | 305A | 1 |
| | | 2 | 325 | 1 |
| | | 3 | 765 | 1 |
| 285T0296-90 | | 1 | 310A | 1 |
| | | 2 | 330 | 1 |
| | | 3 | 775 | 1 |
| 285T0296-92 | | 1 | 140B | 1 |
| | | 2 | 190A | 1 |
| | | 3 | 120 | 1 |

25-71-01

ILLUSTRATED PARTS LIST

01

Page 1031

Nov 01/02

| PART NUMBER | AIRLINE PART NO. | FIG. | ITEM | TTL REQ |
|-------------|---------------------|------|------|------------|
| 285T0296-93 | | 1 | 130B | 1 |
| | | 2 | 180A | 1 |
| | | 3 | 110 | 1 |
| 285T0296-94 | | 1 | 135B | 1 |
| | | 2 | 185A | 1 |
| | | 3 | 115 | 1 |
| 285T0296-95 | | 1 | 150 | 4 |
| | | 1 | 155 | 4 |
| | | 2 | 240 | 6 |
| | | 3 | 165 | 4 |
| | | 3 | 167 | 4 |
| 285T0296-96 | | 1 | 190A | 8 |
| | | 1 | 195A | 2 |
| | | 2 | 235A | 4 |
| | | 2 | 237A | 4 |
| | | 3 | 160A | 4 |
| | | 3 | 162A | 4 |
| 285T0296-97 | | 2 | 660 | 1 |
| | | 3 | 610A | 1 |
| 285T0296-98 | | 2 | 480A | 1 |
| | | 3 | 425B | 1 |
| 285T0296-99 | | 2 | 80 | 1 |
| | | 3 | 670 | 1 |
| 286T1078 | | 1 | 685 | 1 |
| | | 2 | 695 | 1 |
| | | 3 | 645 | 1 |
| 286T1080 | | 1 | 690 | 1 |
| | | 2 | 700 | 1 |
| | | 3 | 650 | 1 |
| 286T1114 | | 1 | 695 | 1 |
| | | 2 | 705 | 1 |
| | | 3 | 655 | 1 |
| 421120-450 | | 1 | 380 | 1 |
| | | 2 | 400 | 1 |
| | | 3 | 340 | 1 |
| 421120-452 | | 1 | 385 | 1 |
| | | 2 | 405 | 1 |
| | | 3 | 345 | 1 |
| 421120-454 | | 1 | 390 | 1 |
| | | 2 | 410 | 1 |
| | | 3 | 350 | 1 |

25-71-01

 ILLUSTRATED PARTS LIST
 01 Page 1032
 Nov 01/02


BOEING
 COMPONENT
 MAINTENANCE MANUAL

| PART NUMBER | AIRLINE PART NO. | FIG. | ITEM | TTL REQ |
|-------------|---------------------|------|------|------------|
| 96-40 | | 1 | 50 | 56 |
| 96-40 | | 1 | 270 | 4 |
| | | 1 | 272 | 2 |
| | | 1 | 273 | 4 |
| | | 1 | 625 | 4 |
| | | 2 | 65 | 56 |
| | | 2 | 305 | 4 |
| | | 2 | 307 | 2 |
| | | 2 | 645 | 4 |
| | | 3 | 50A | 56 |
| | | 3 | 250A | 4 |
| | | 3 | 595 | 4 |
| 96-62 | | 1 | 45 | 8 |
| | | 2 | 60 | 8 |
| | | 3 | 45A | 8 |

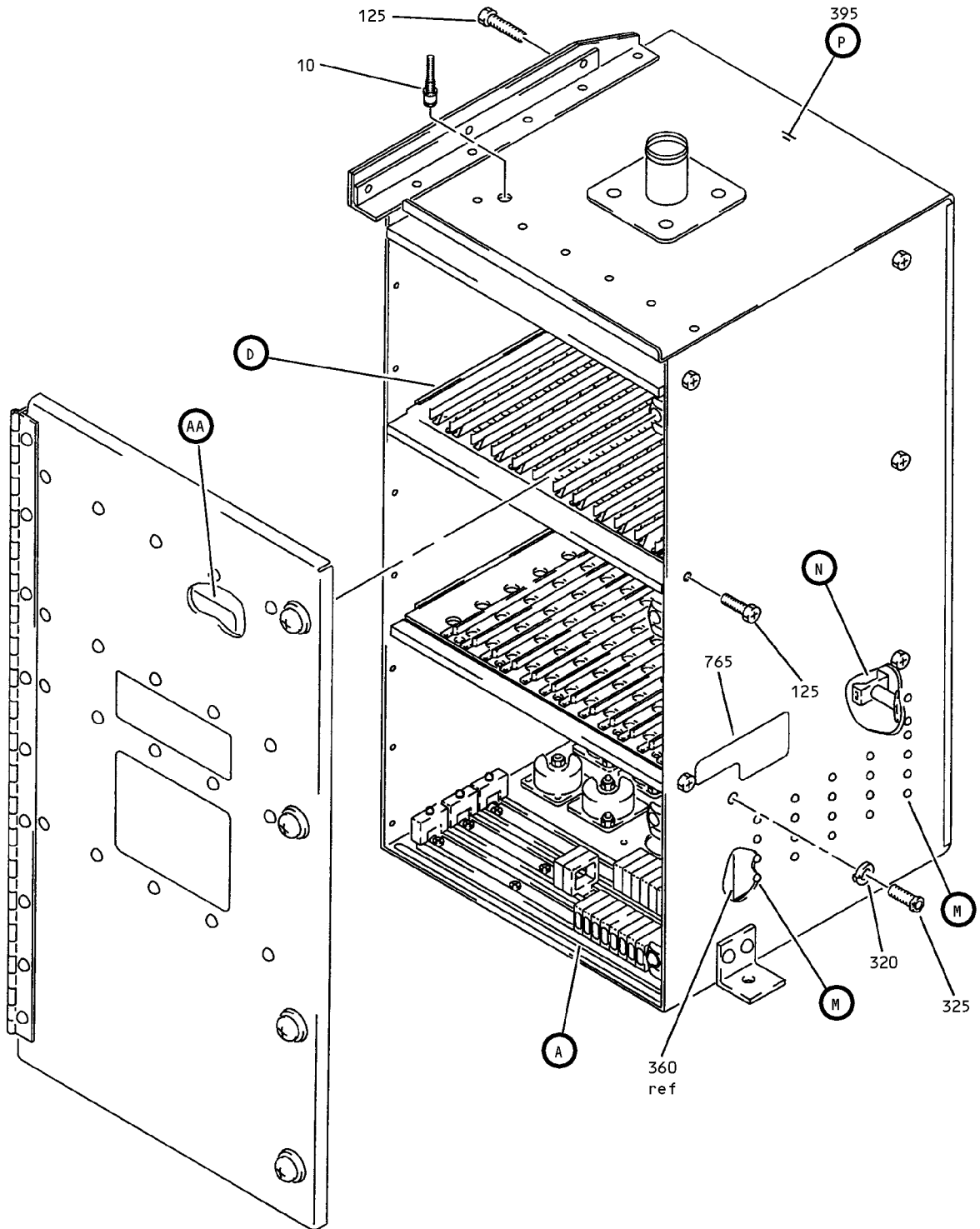
25-71-01

ILLUSTRATED PARTS LIST

01

Page 1033

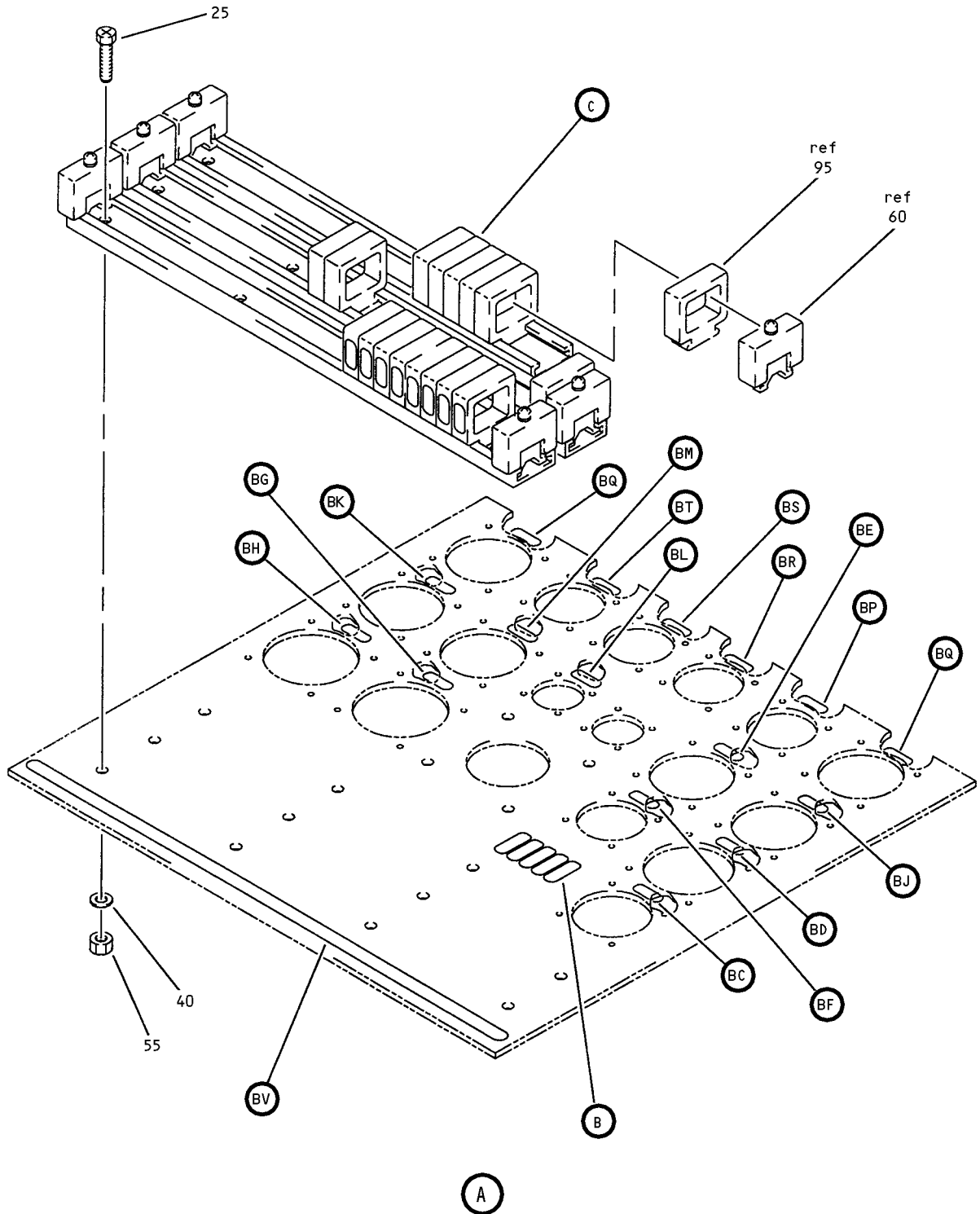
Nov 01/02



Electrical System Card File (ESCF) Assembly
 Figure 1 (Sheet 1)

25-71-01

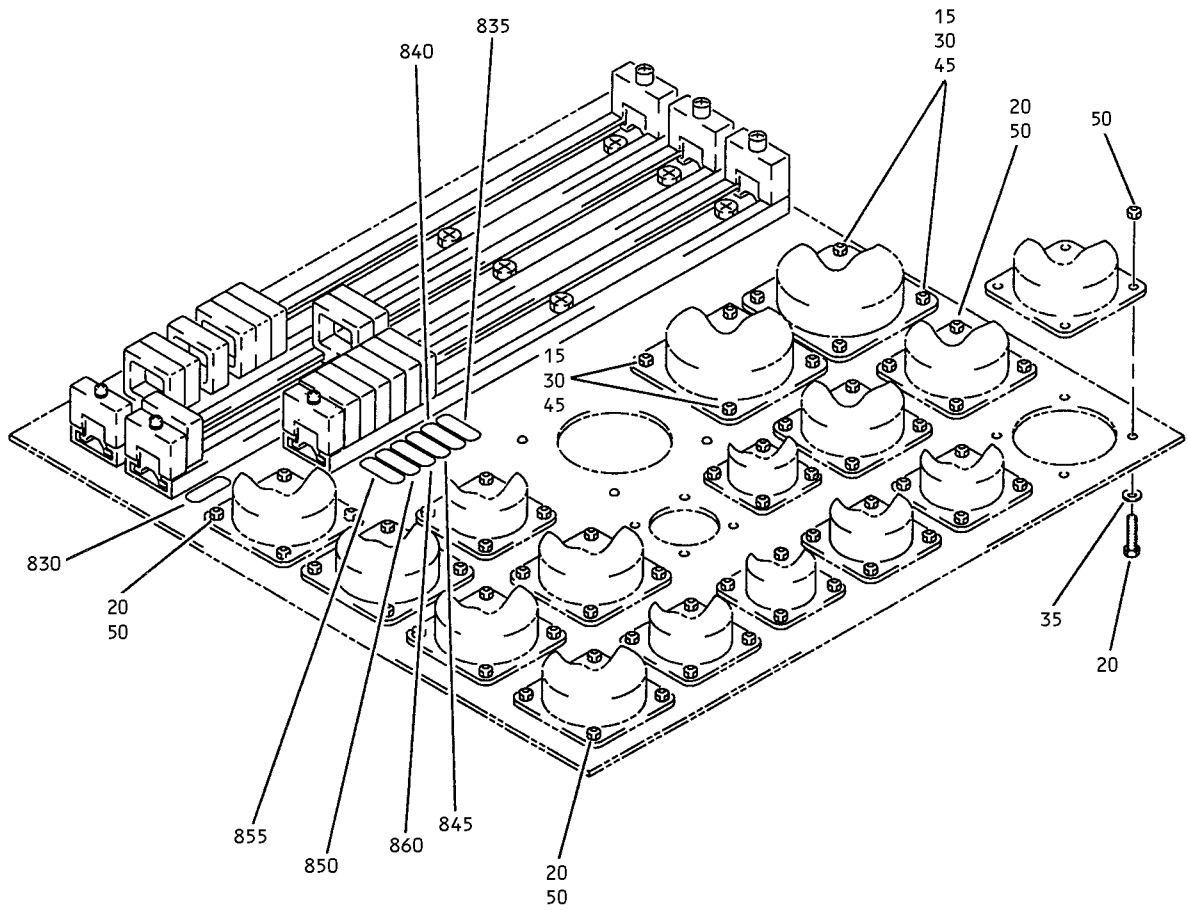
ILLUSTRATED PARTS LIST
 01 Page 1035
 Nov 01/02



Electrical System Card File (ESCF) Assembly
 Figure 1 (Sheet 2)

25-71-01

ILLUSTRATED PARTS LIST
 01 Page 1036
 Nov 01/02

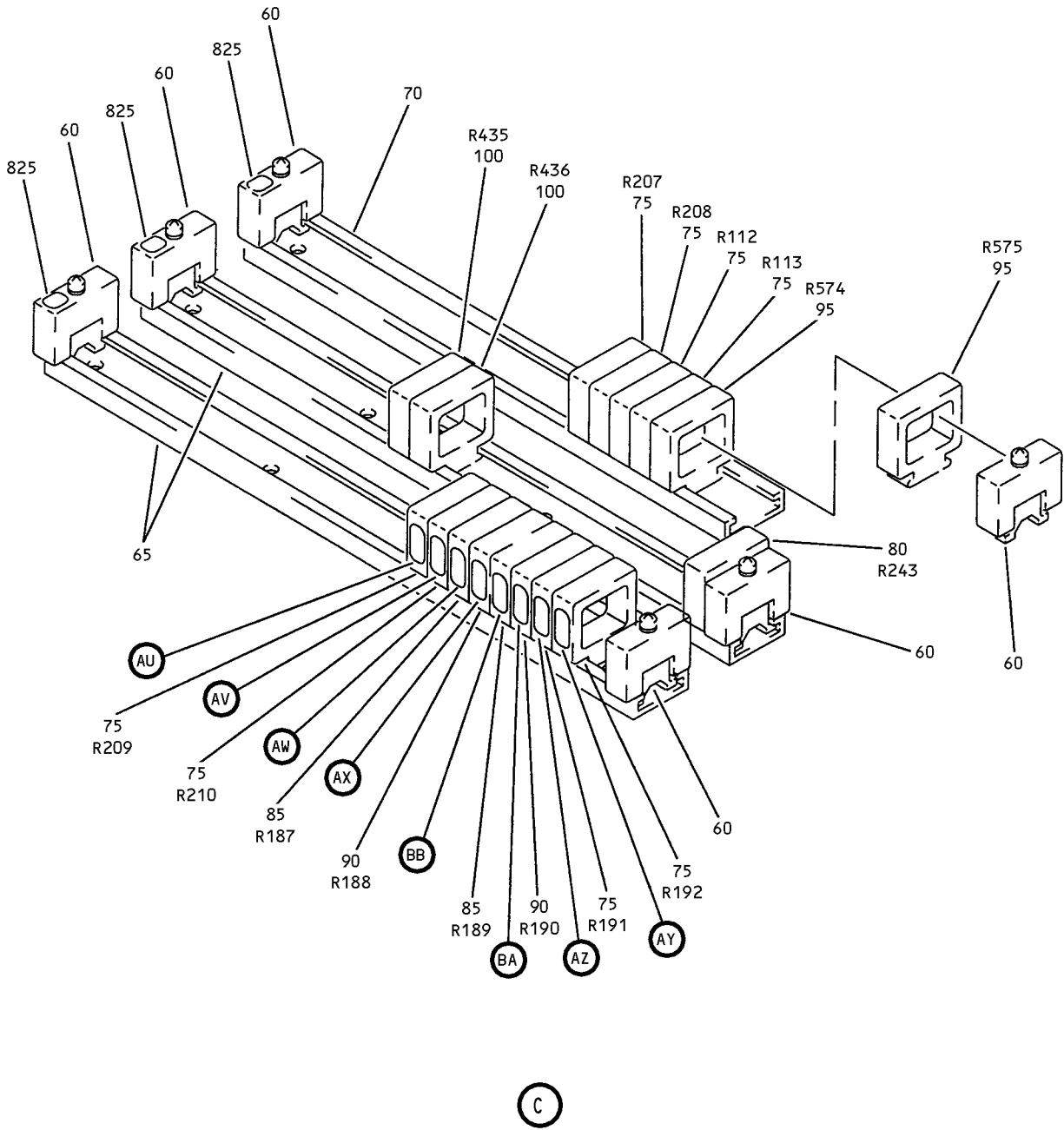


B

Electrical System Card File (ESCF) Assembly
Figure 1 (Sheet 3)

25-71-01

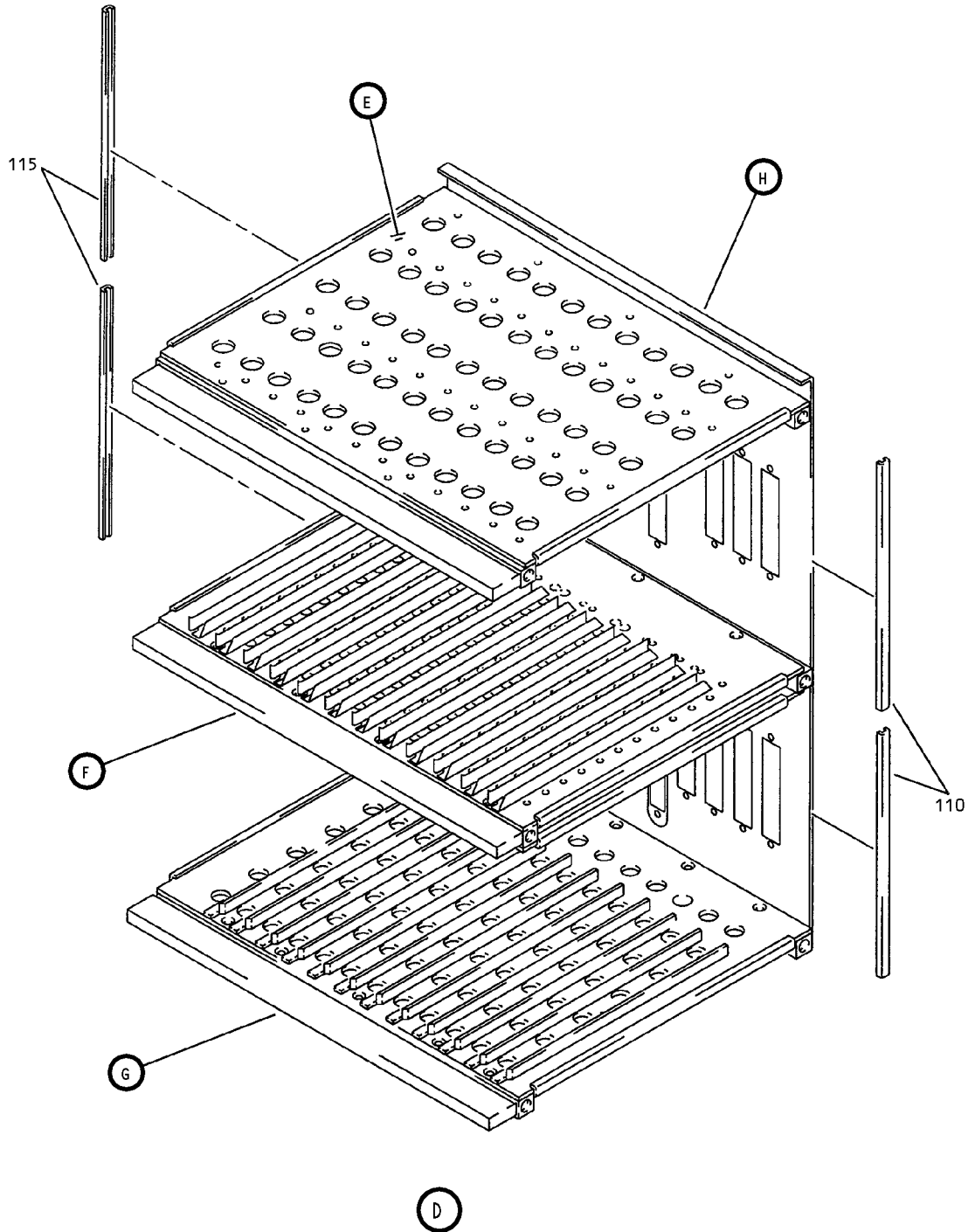
ILLUSTRATED PARTS LIST
01 Page 1037
Nov 01/02



Electrical System Card File (ESCF) Assembly
 Figure 1 (Sheet 4)

25-71-01

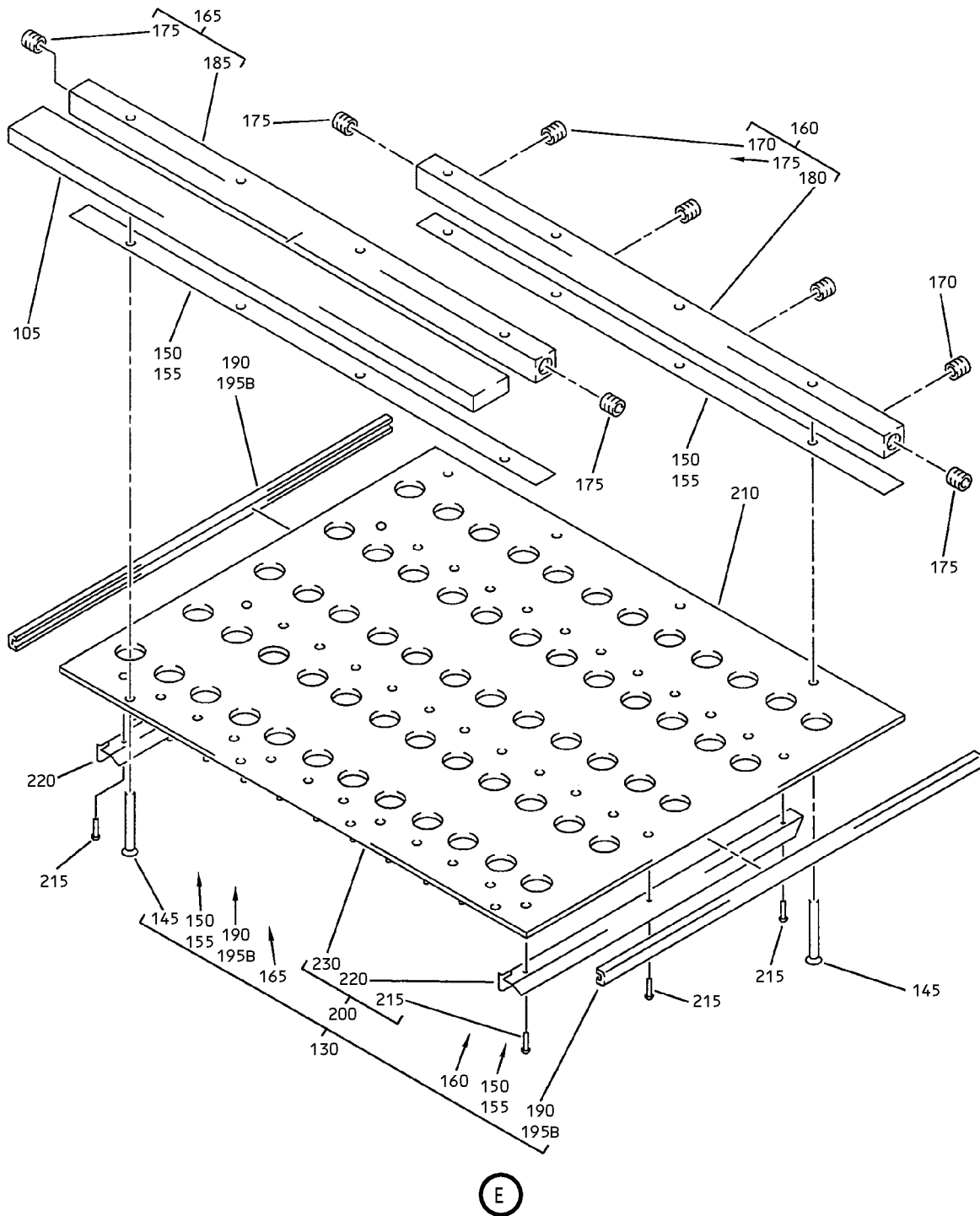
ILLUSTRATED PARTS LIST
 01 Page 1038
 Nov 01/02



Electrical System Card File (ESCF) Assembly
Figure 1 (Sheet 5)

25-71-01

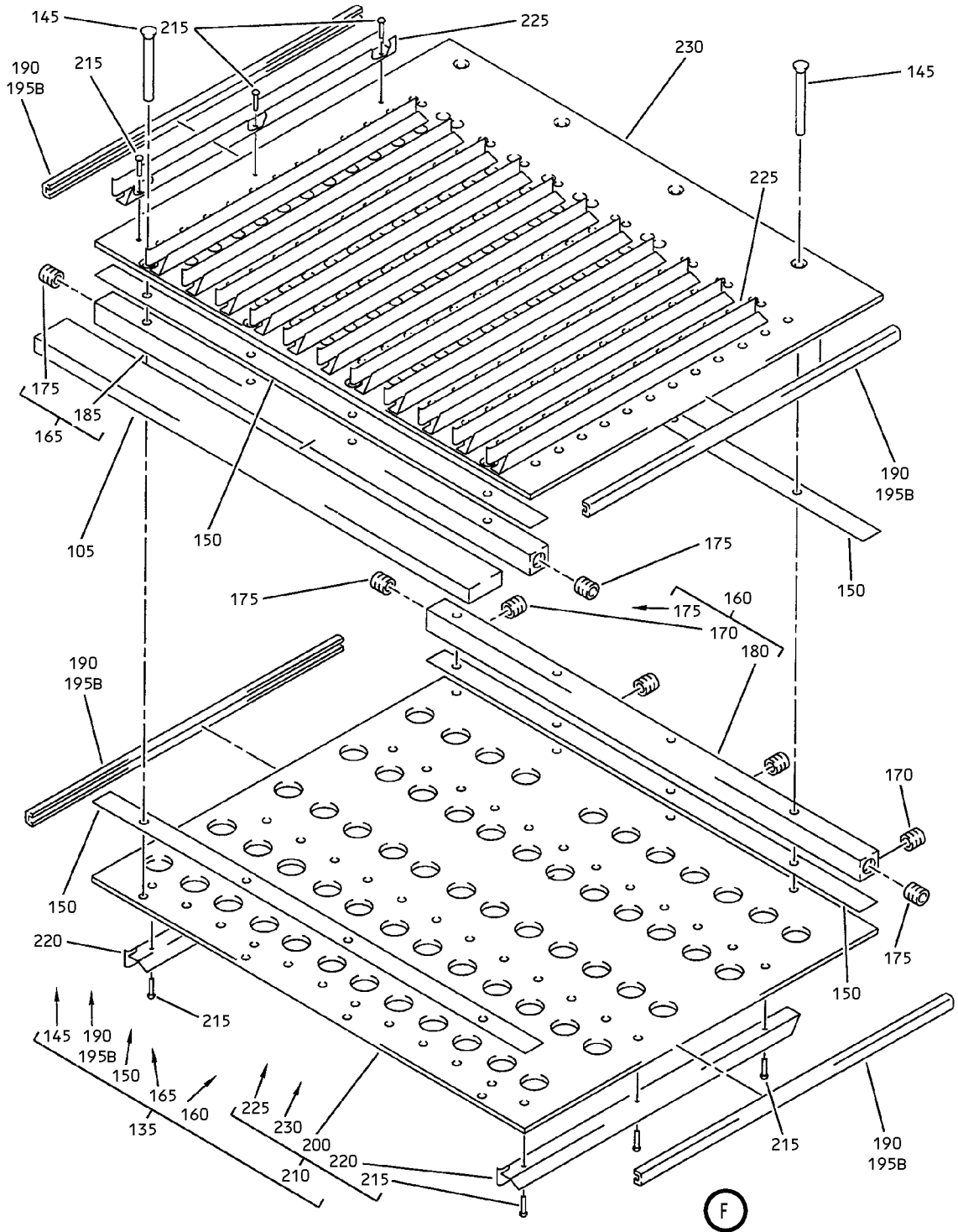
ILLUSTRATED PARTS LIST
01 Page 1039
Nov 01/02



Electrical System Card File (ESCF) Assembly
 Figure 1 (Sheet 6)

25-71-01

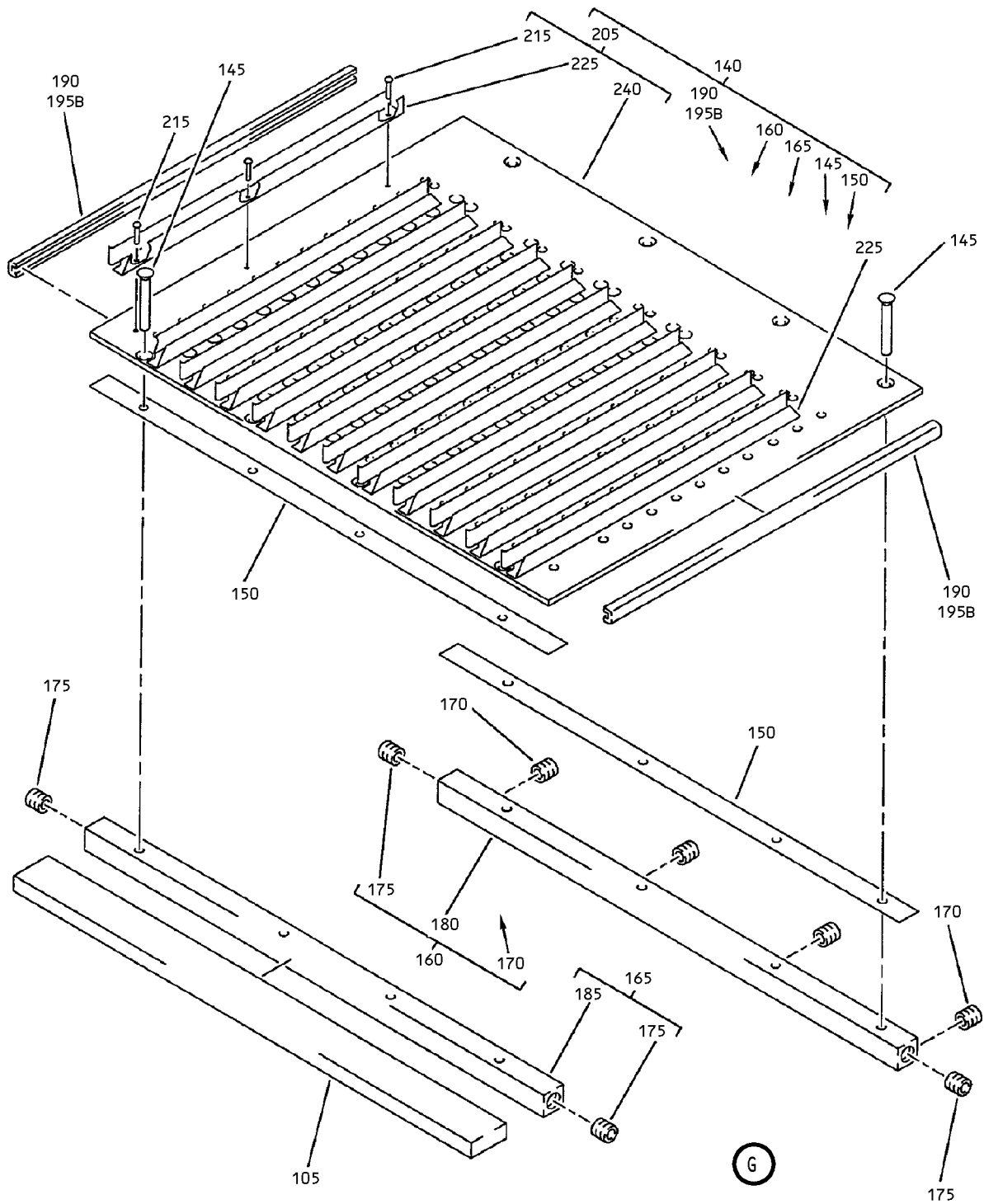
ILLUSTRATED PARTS LIST
 01 Page 1040
 Nov 01/02



Electrical System Card File (ESCF) Assembly
 Figure 1 (Sheet 7)

25-71-01

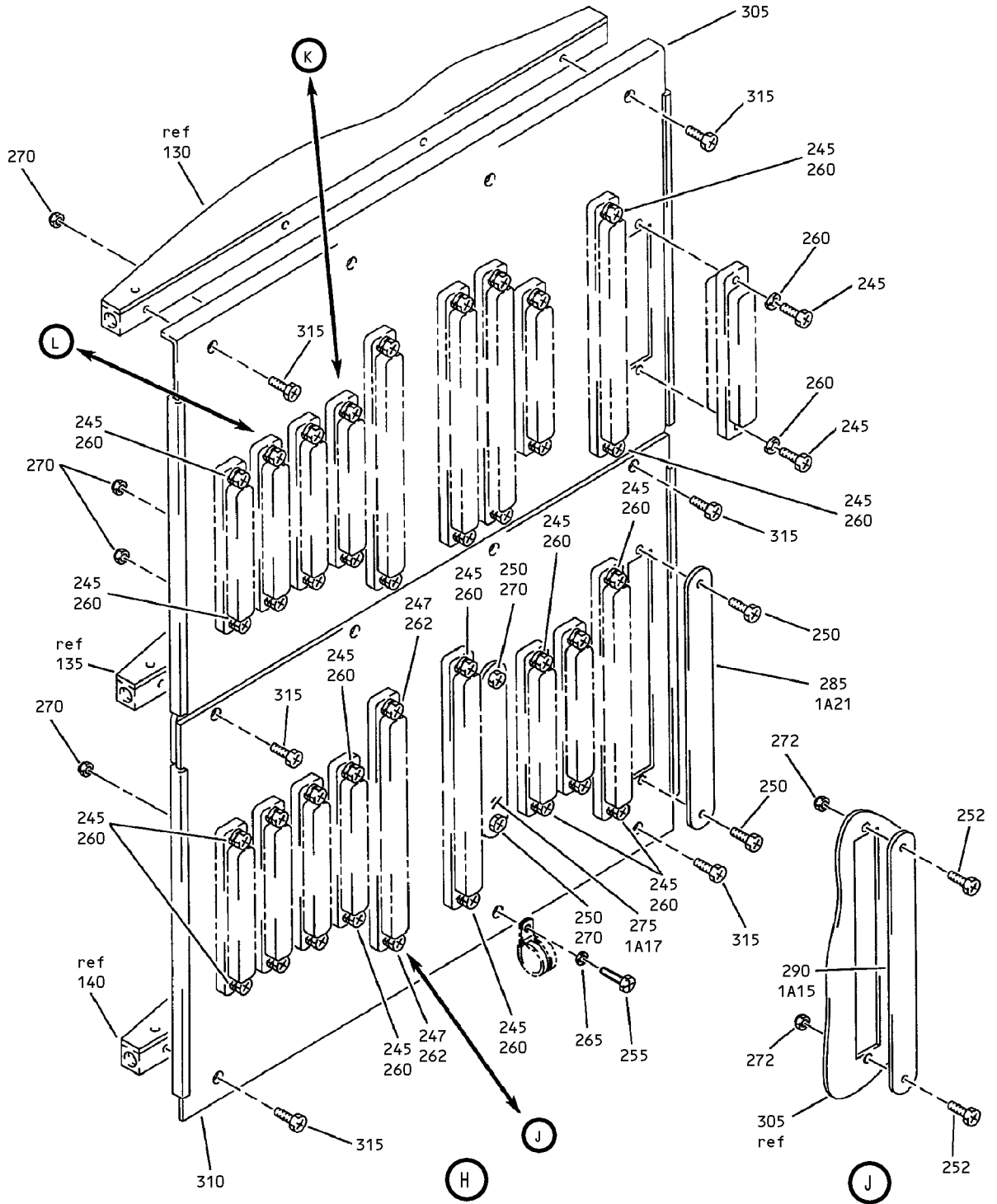
ILLUSTRATED PARTS LIST
 01 Page 1041
 Nov 01/02



Electrical System Card File (ESCF) Assembly
Figure 1 (Sheet 8)

25-71-01

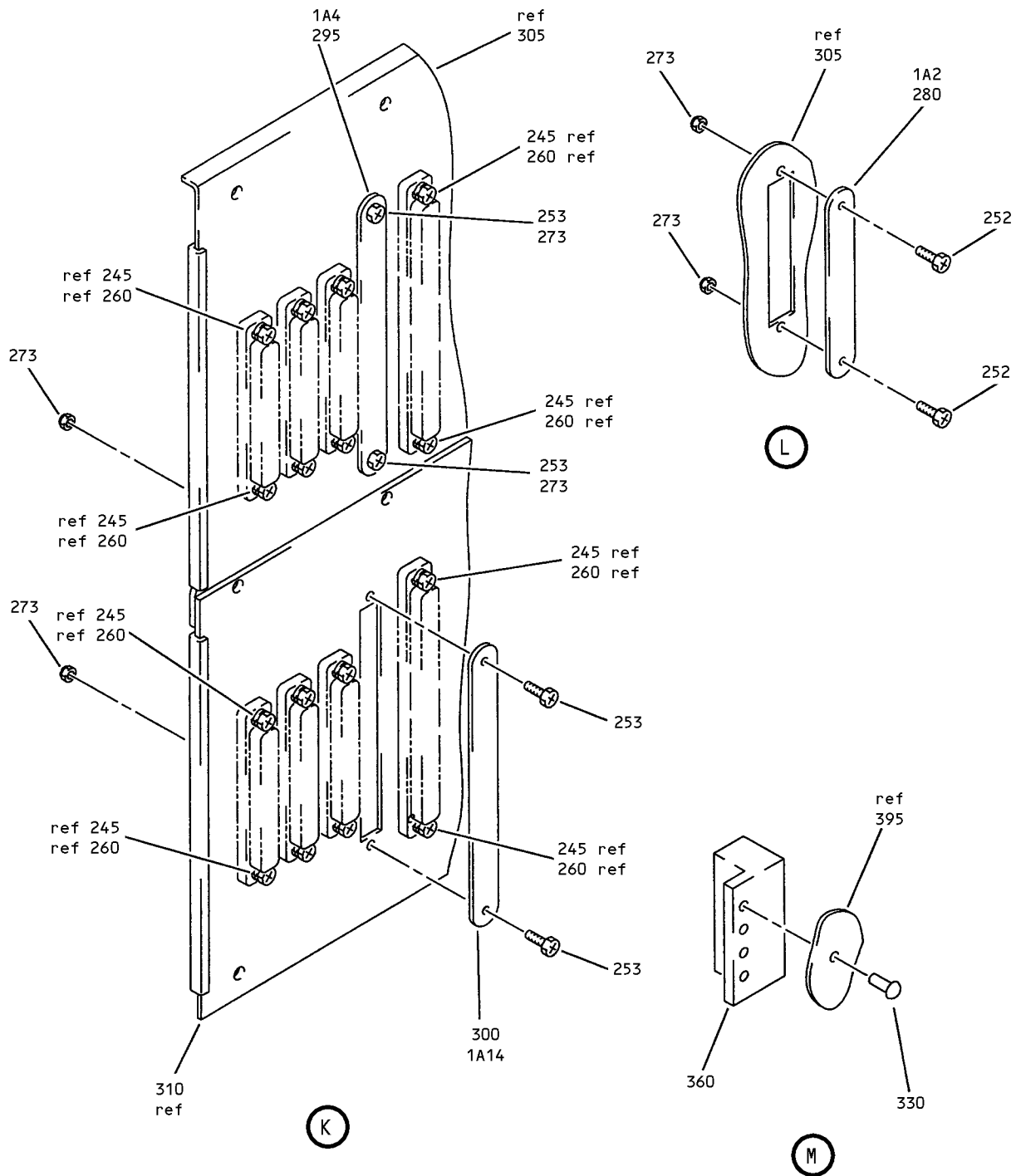
ILLUSTRATED PARTS LIST
01 Page 1042
Nov 01/02



Electrical System Card File (ESCF) Assembly
Figure 1 (Sheet 9)

25-71-01

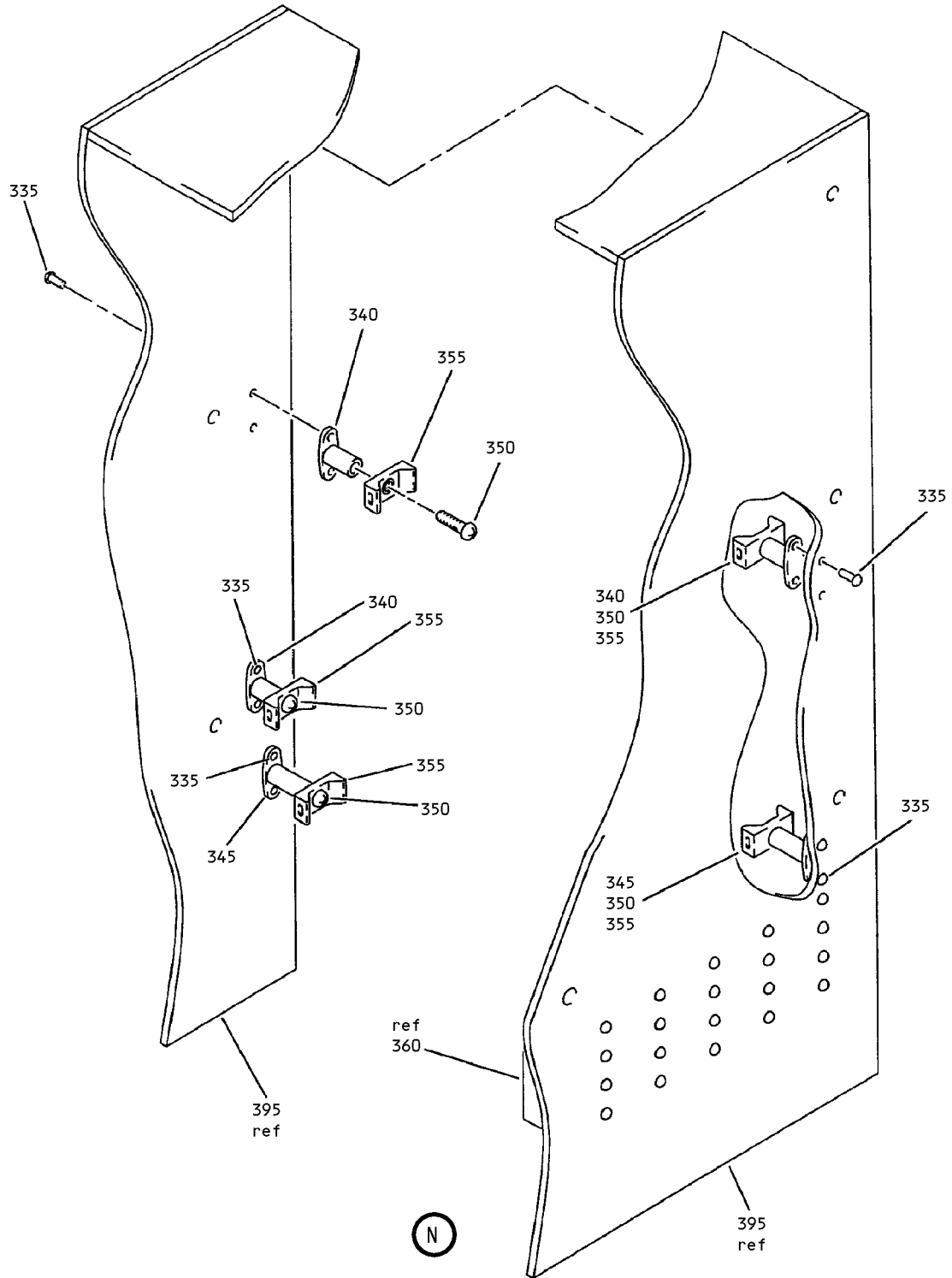
ILLUSTRATED PARTS LIST
01 Page 1043
Nov 01/02



Electrical System Card File (ESCF) Assembly
 Figure 1 (Sheet 10)

25-71-01

ILLUSTRATED PARTS LIST
 01 Page 1044
 Nov 01/02

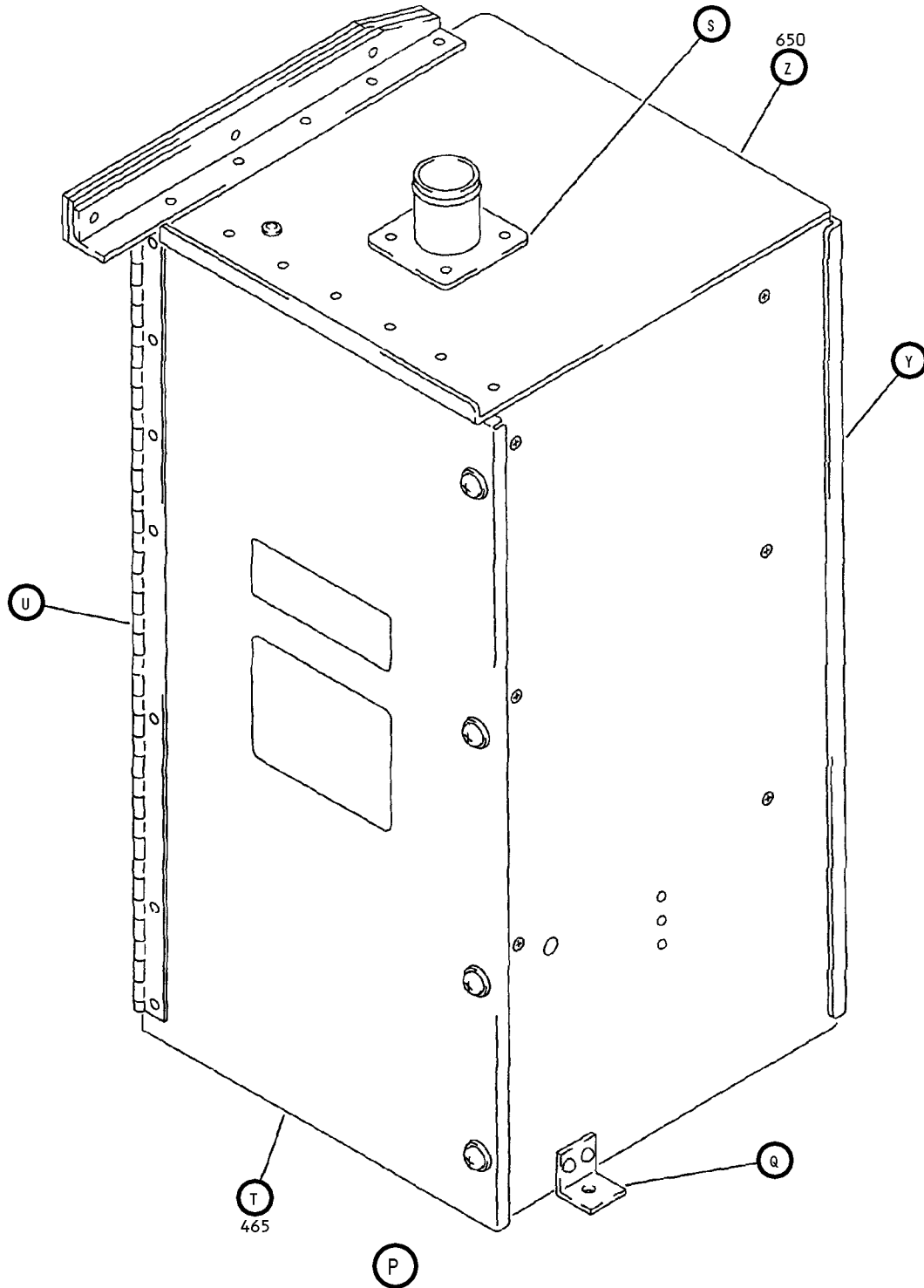


Electrical System Card File (ESCF) Assembly
Figure 1 (Sheet 11)

25-71-01

ILLUSTRATED PARTS LIST
01 Page 1045
Nov 01/02

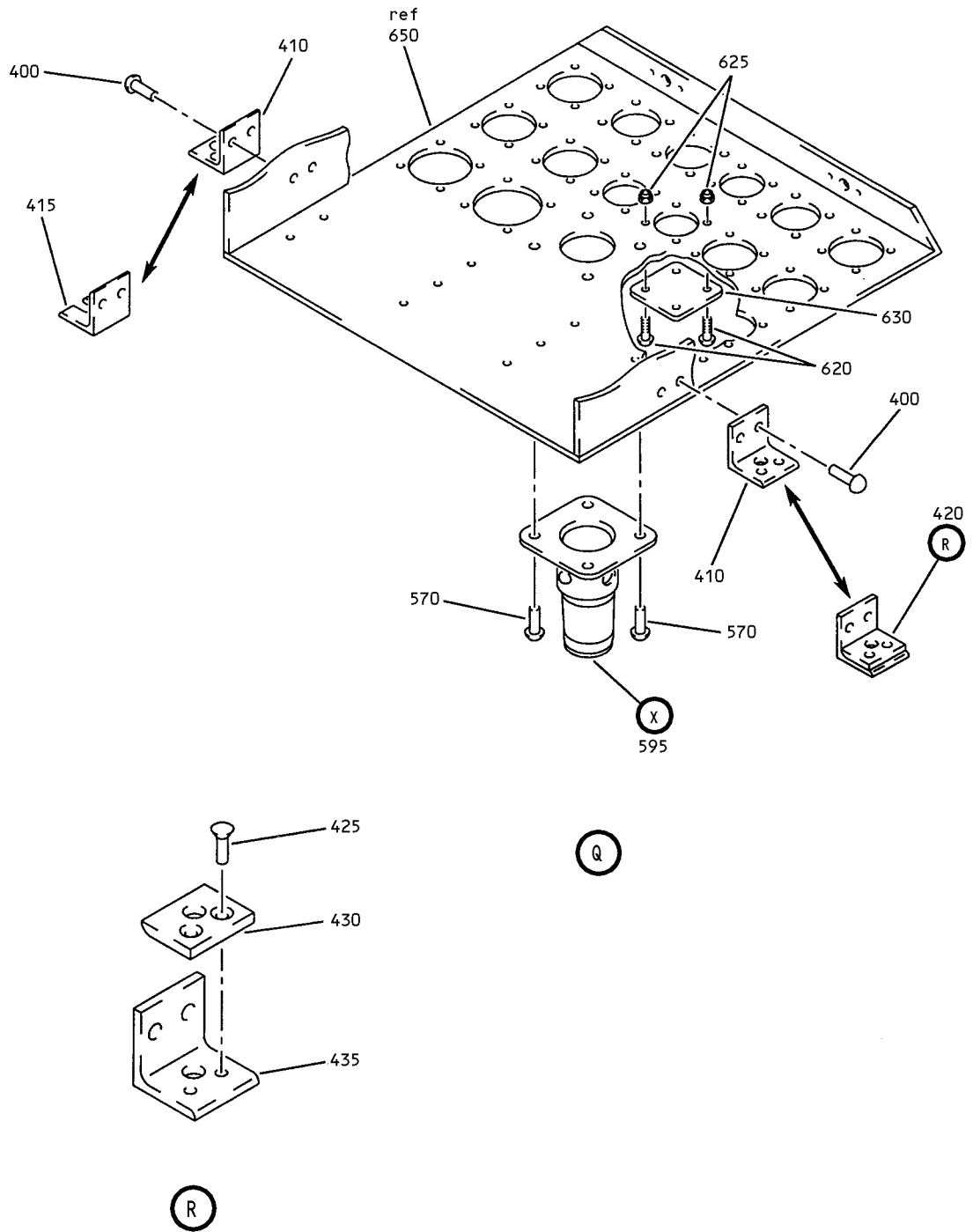
1197537



Electrical System Card File (ESCF) Assembly
Figure 1 (Sheet 12)

25-71-01

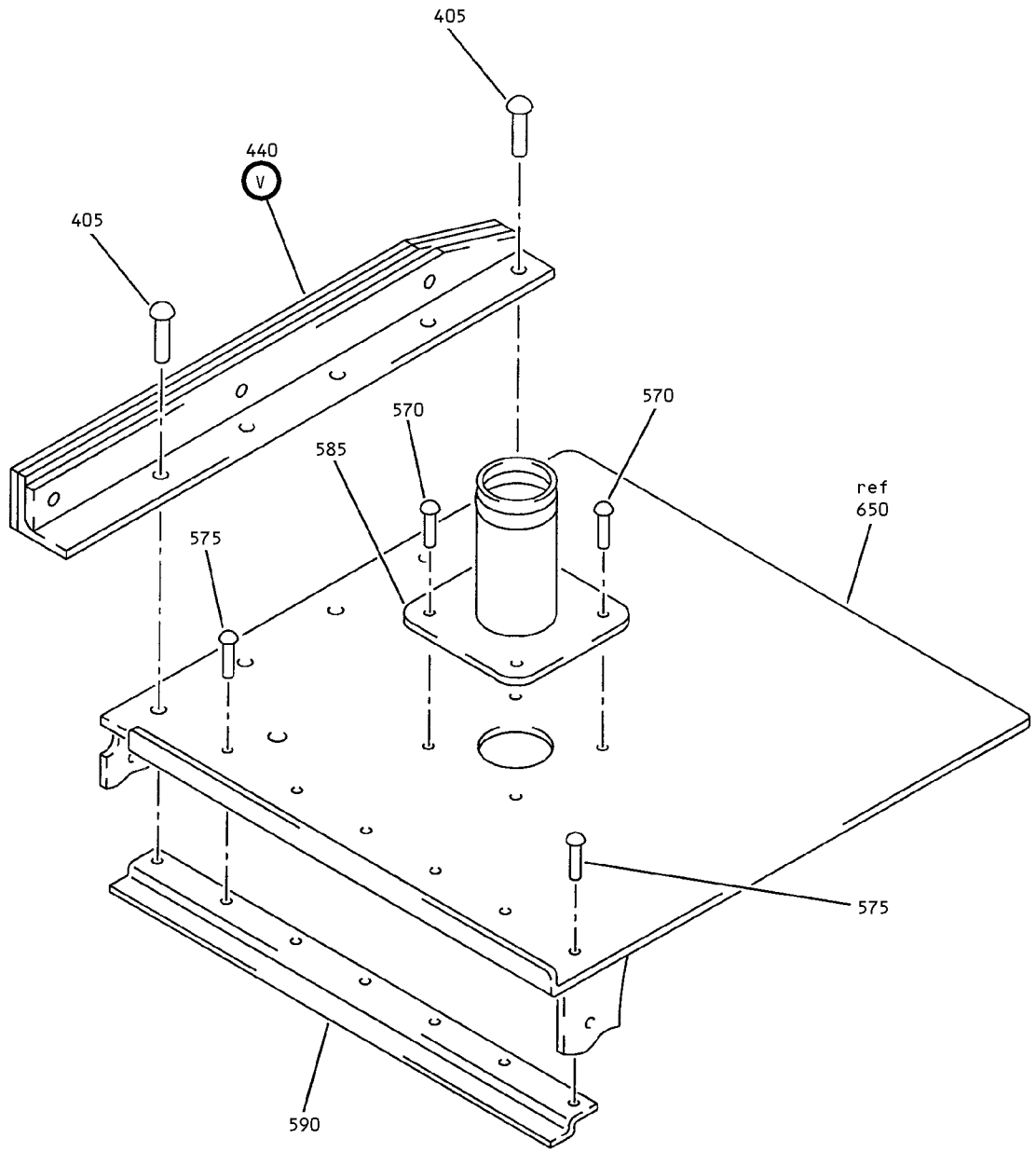
ILLUSTRATED PARTS LIST
01 Page 1046
Nov 01/02



Electrical System Card File (ESCF) Assembly
Figure 1 (Sheet 13)

25-71-01

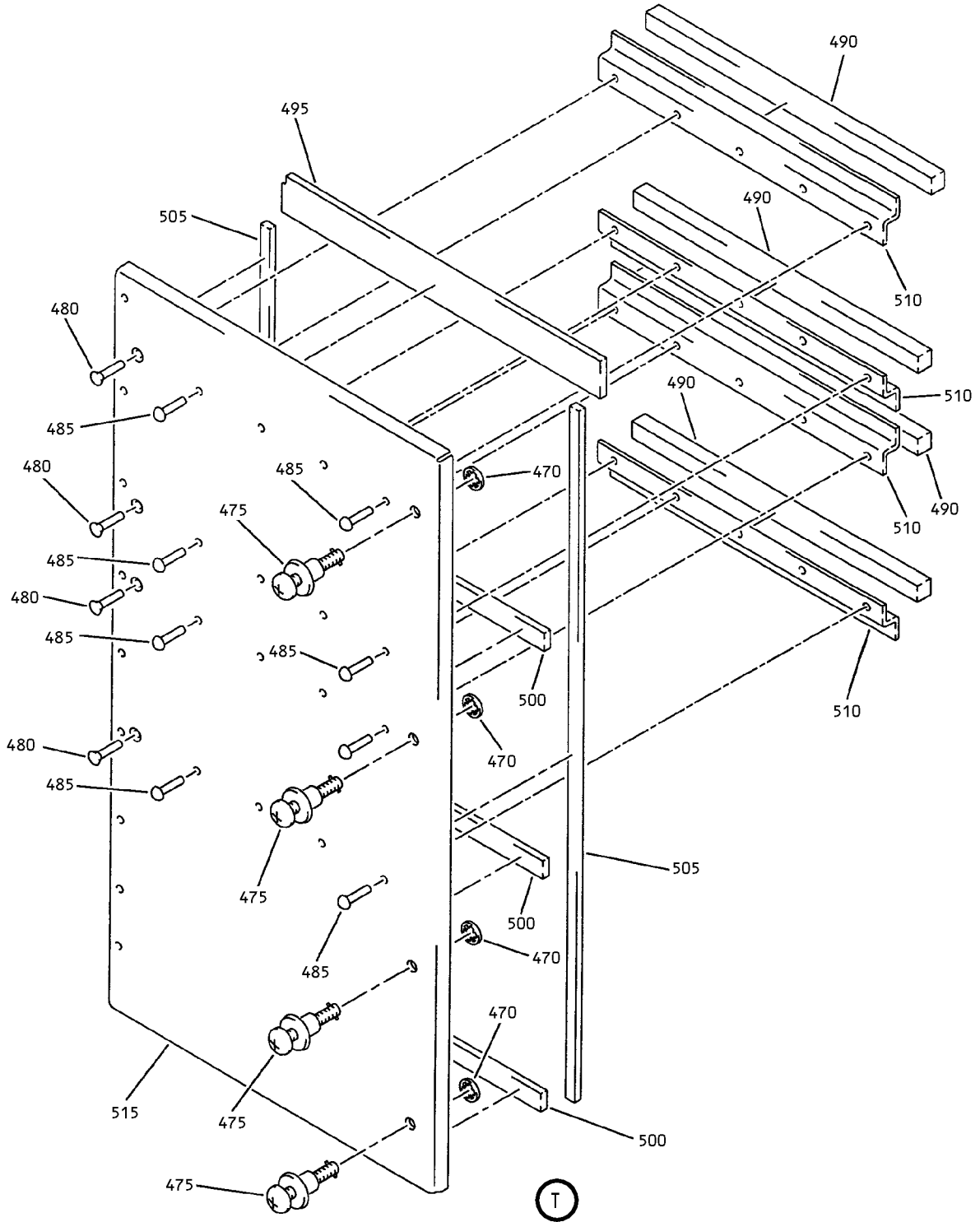
ILLUSTRATED PARTS LIST
01 Page 1047
Nov 01/02



Electrical System Card File (ESCF) Assembly
Figure 1 (Sheet 14)

25-71-01

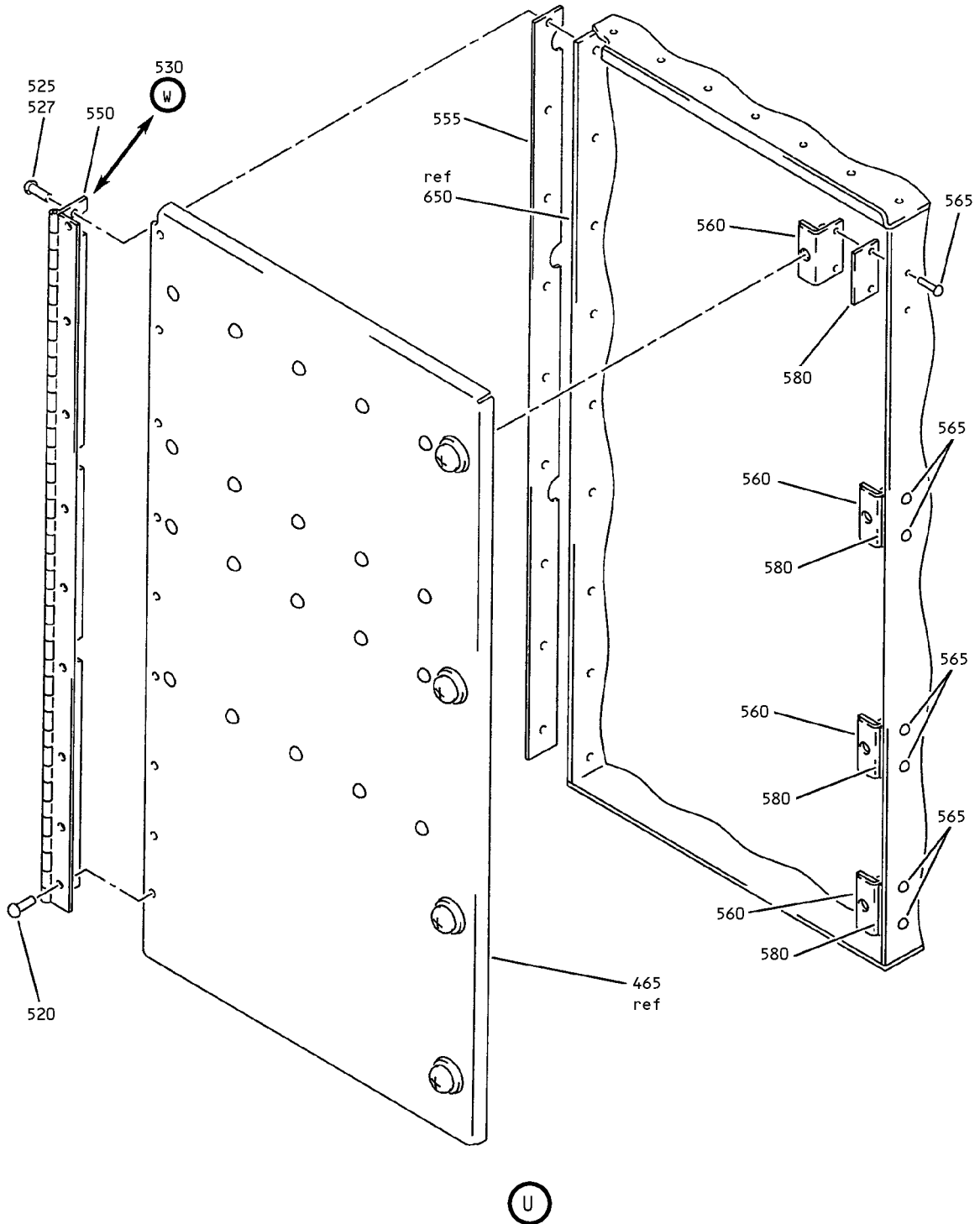
ILLUSTRATED PARTS LIST
01 Page 1048
Nov 01/02



Electrical System Card File (ESCF) Assembly
Figure 1 (Sheet 15)

25-71-01

ILLUSTRATED PARTS LIST
01 Page 1049
Nov 01/02

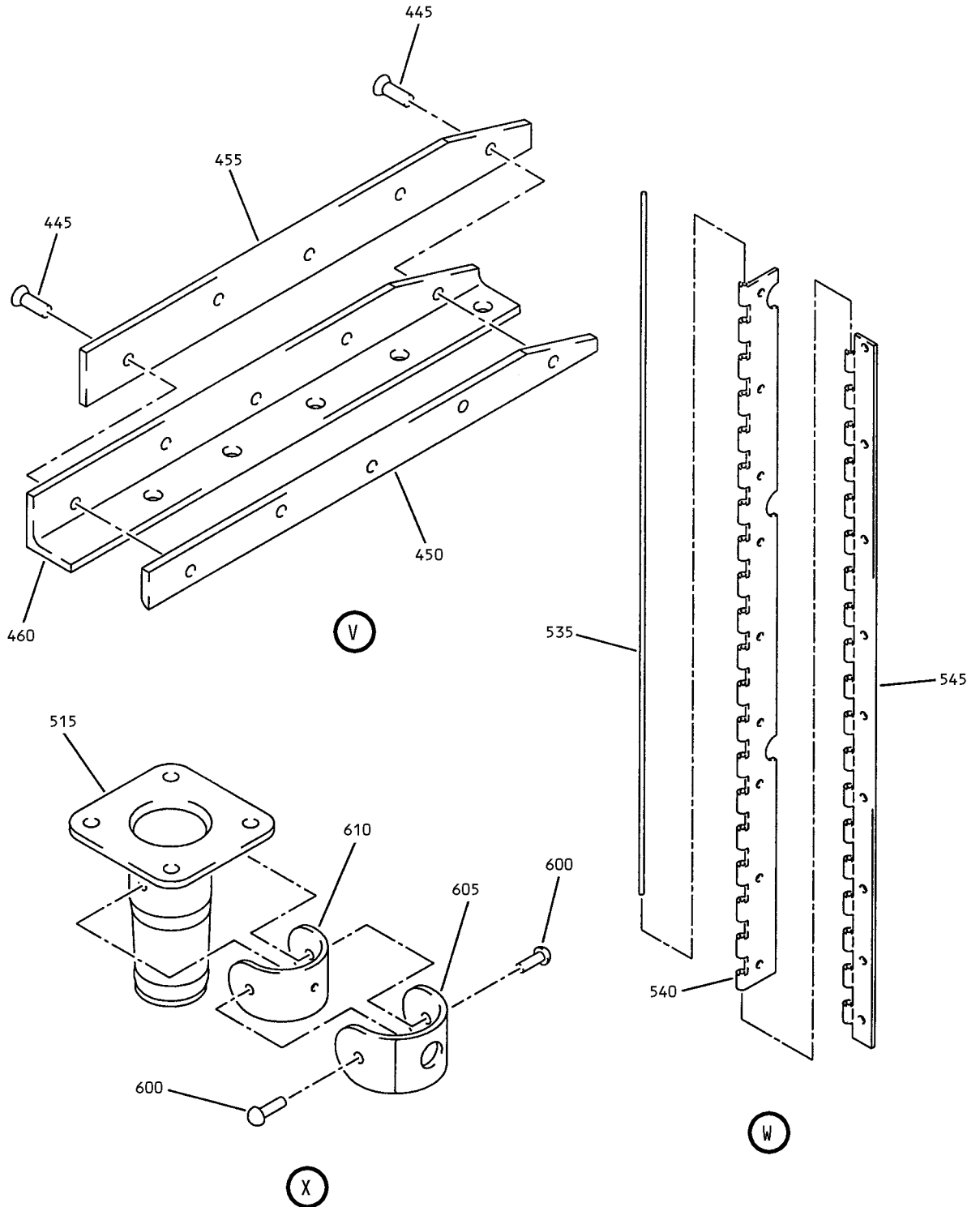


Electrical System Card File (ESCF) Assembly
 Figure 1 (Sheet 16)

25-71-01

ILLUSTRATED PARTS LIST
 01 Page 1050
 Nov 01/02

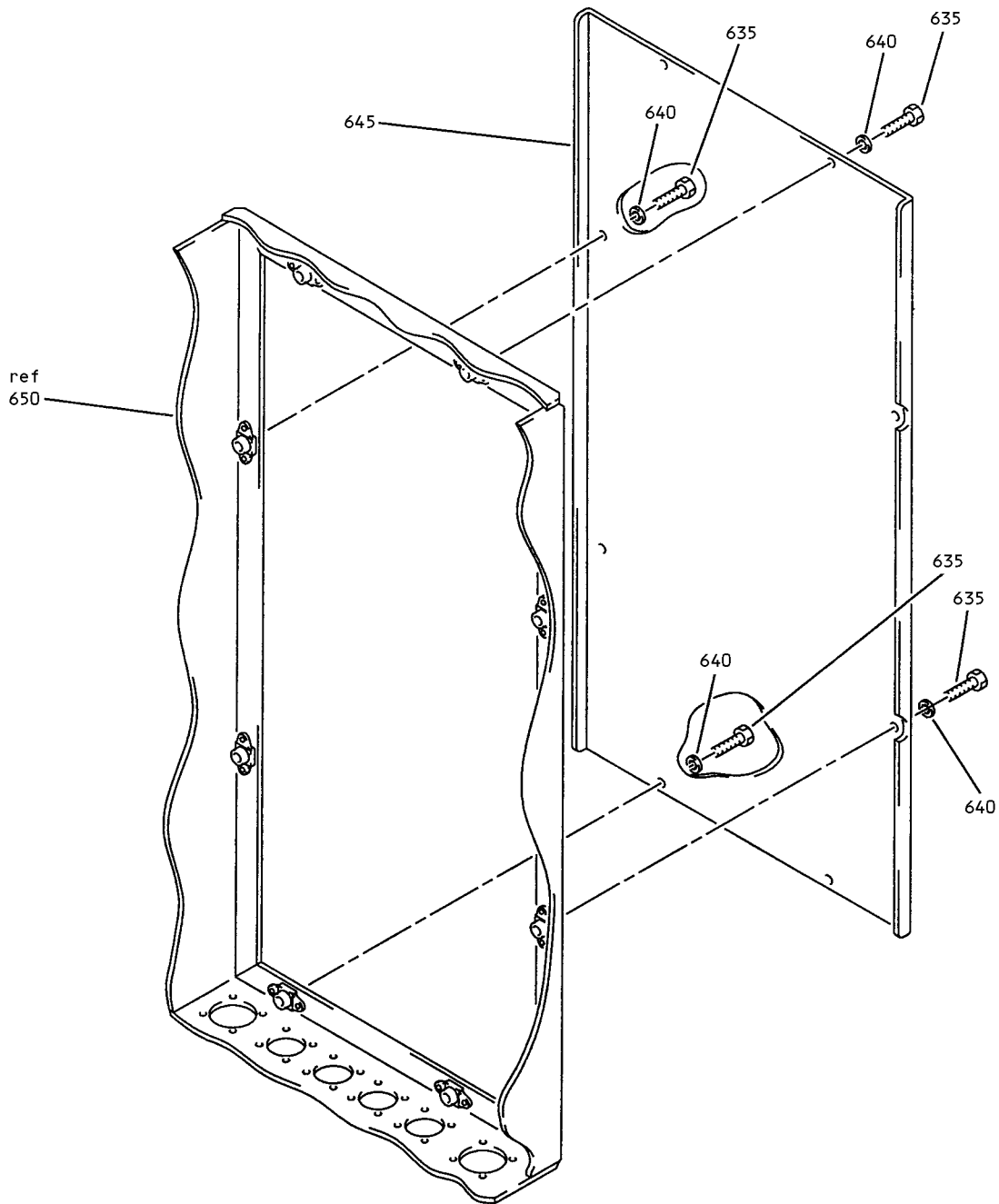
197581



Electrical System Card File (ESCF) Assembly
Figure 1 (Sheet 17)

25-71-01

ILLUSTRATED PARTS LIST
01 Page 1051
Nov 01/02

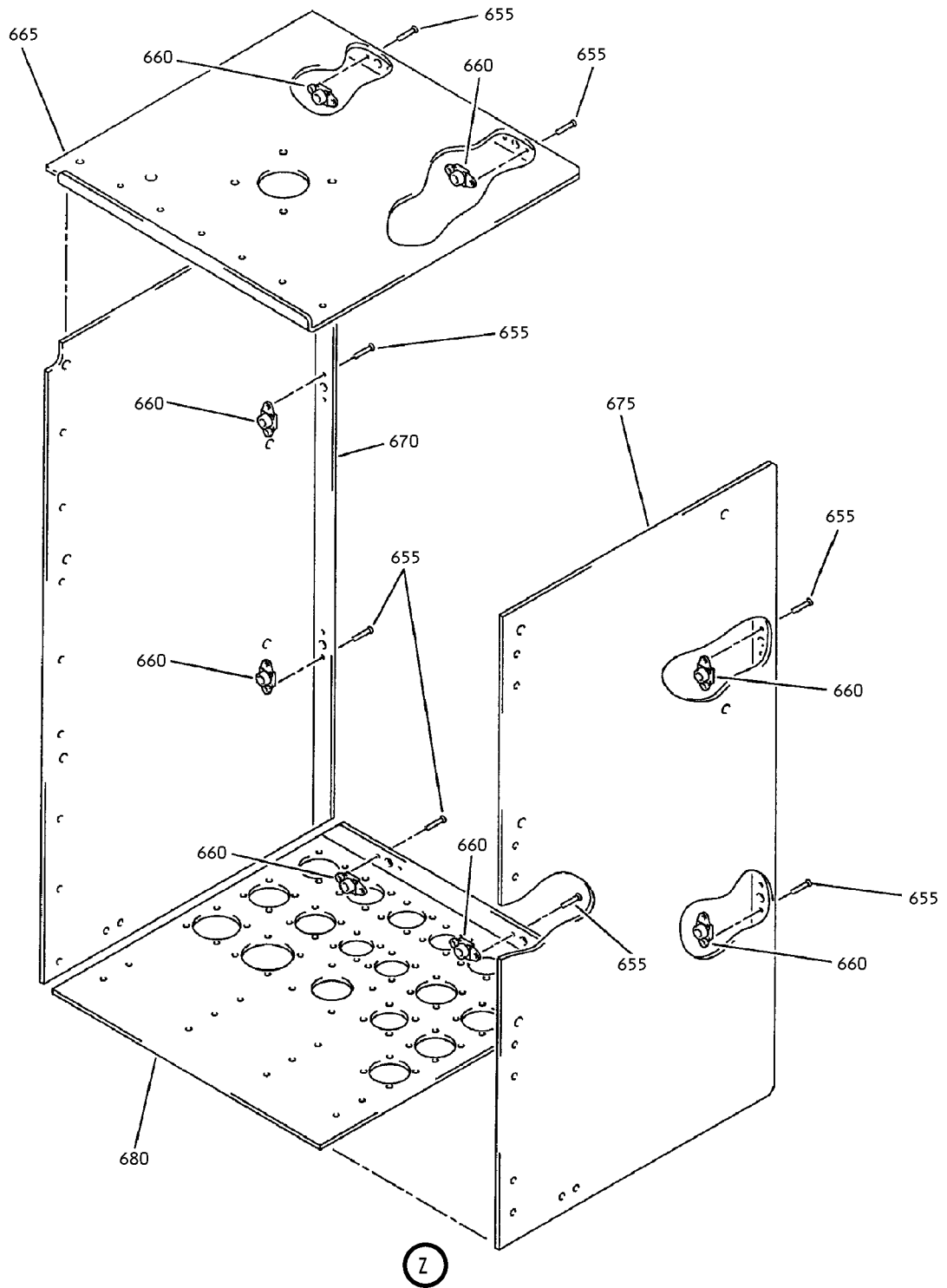


Y

Electrical System Card File (ESCF) Assembly
Figure 1 (Sheet 18)

25-71-01

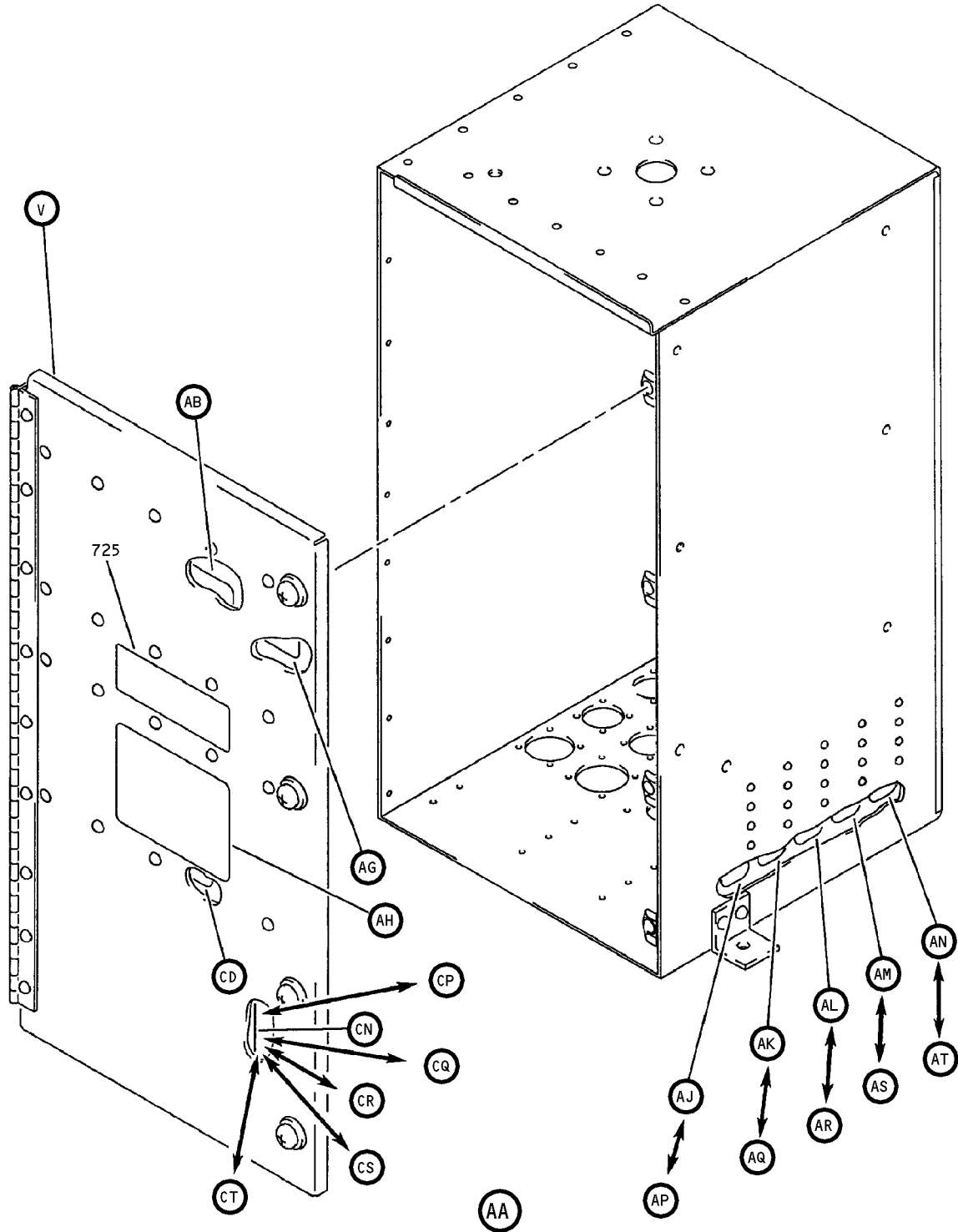
ILLUSTRATED PARTS LIST
01 Page 1052
Nov 01/02



Electrical System Card File (ESCF) Assembly
Figure 1 (Sheet 19)

25-71-01

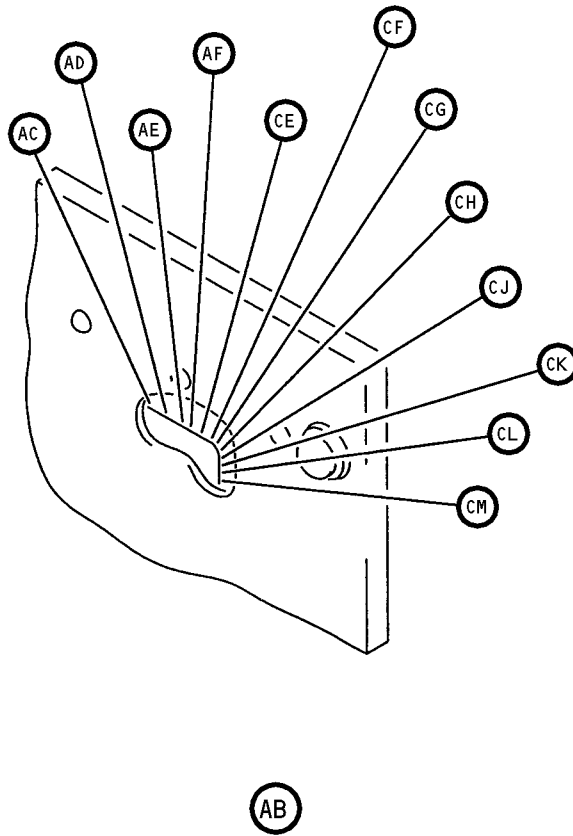
ILLUSTRATED PARTS LIST
01 Page 1053
Nov 01/02



Electrical System Card File (ESCF) Assembly
 Figure 1 (Sheet 20)

25-71-01

ILLUSTRATED PARTS LIST
 01 Page 1054
 Nov 01/02

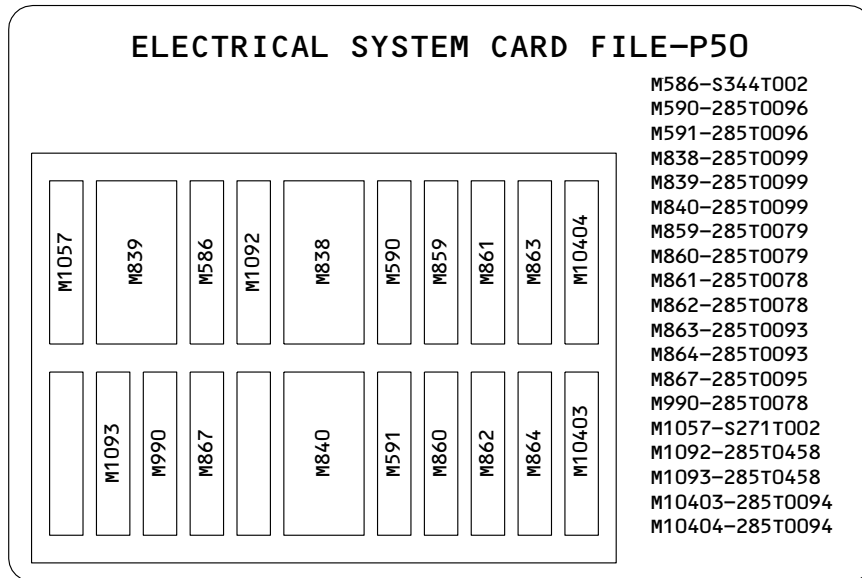


Electrical System Card File (ESCF) Assembly
Figure 1 (Sheet 21)

25-71-01

ILLUSTRATED PARTS LIST
01 Page 1055
Nov 01/02

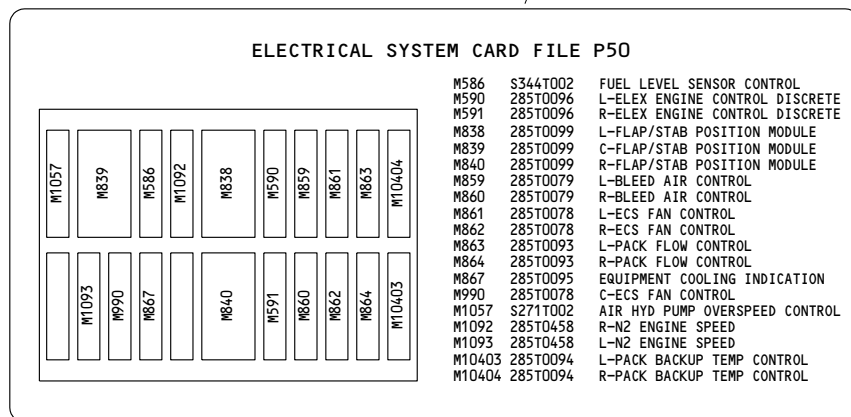
700



BAC27TEX2860

AC

705
885



BAC27TEX3753

AD

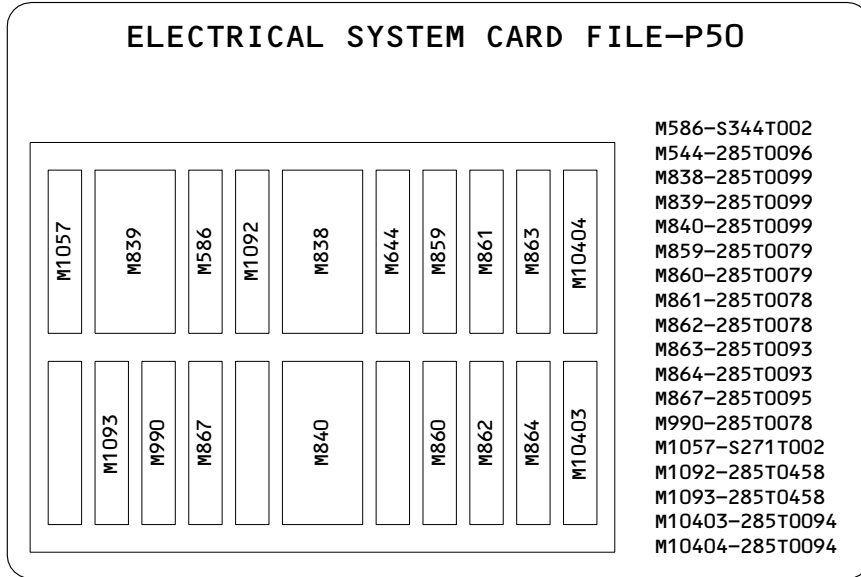
Electrical System Card File (ESCF) Assembly
 Figure 1 (Sheet 22)

25-71-01

ILLUSTRATED PARTS LIST
 01 Page 1056
 Nov 01/02

BOEING
 COMPONENT
 MAINTENANCE MANUAL

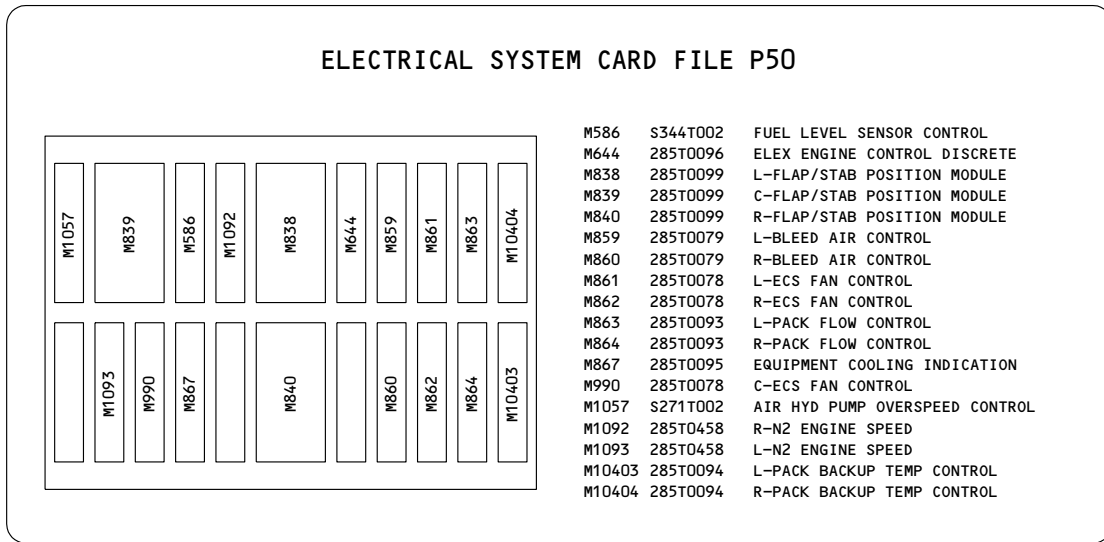
710



BAC27TEX2861

AE

715
880



BAC27TEX3752

AF

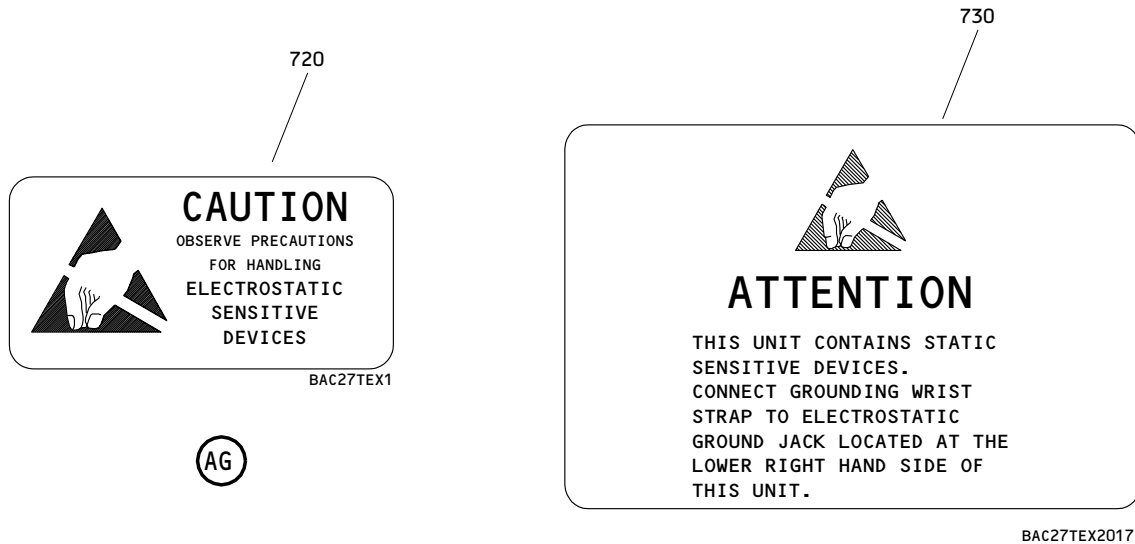
Electrical System Card File (ESCF) Assembly
 Figure 1 (Sheet 23)

25-71-01

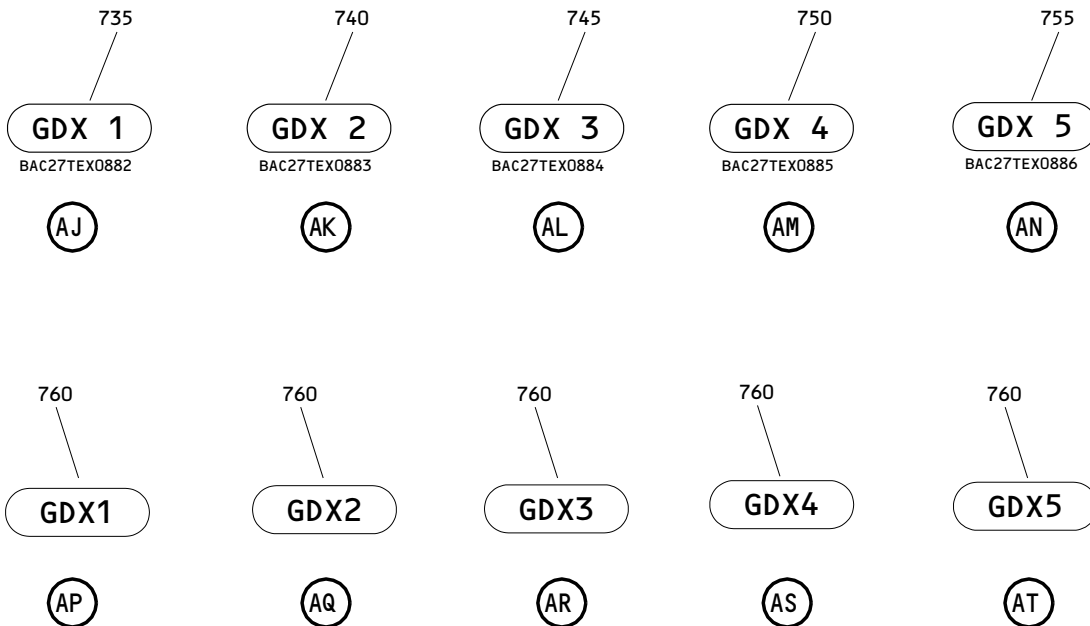
ILLUSTRATED PARTS LIST

01 Page 1057

Nov 01/02



(AH)

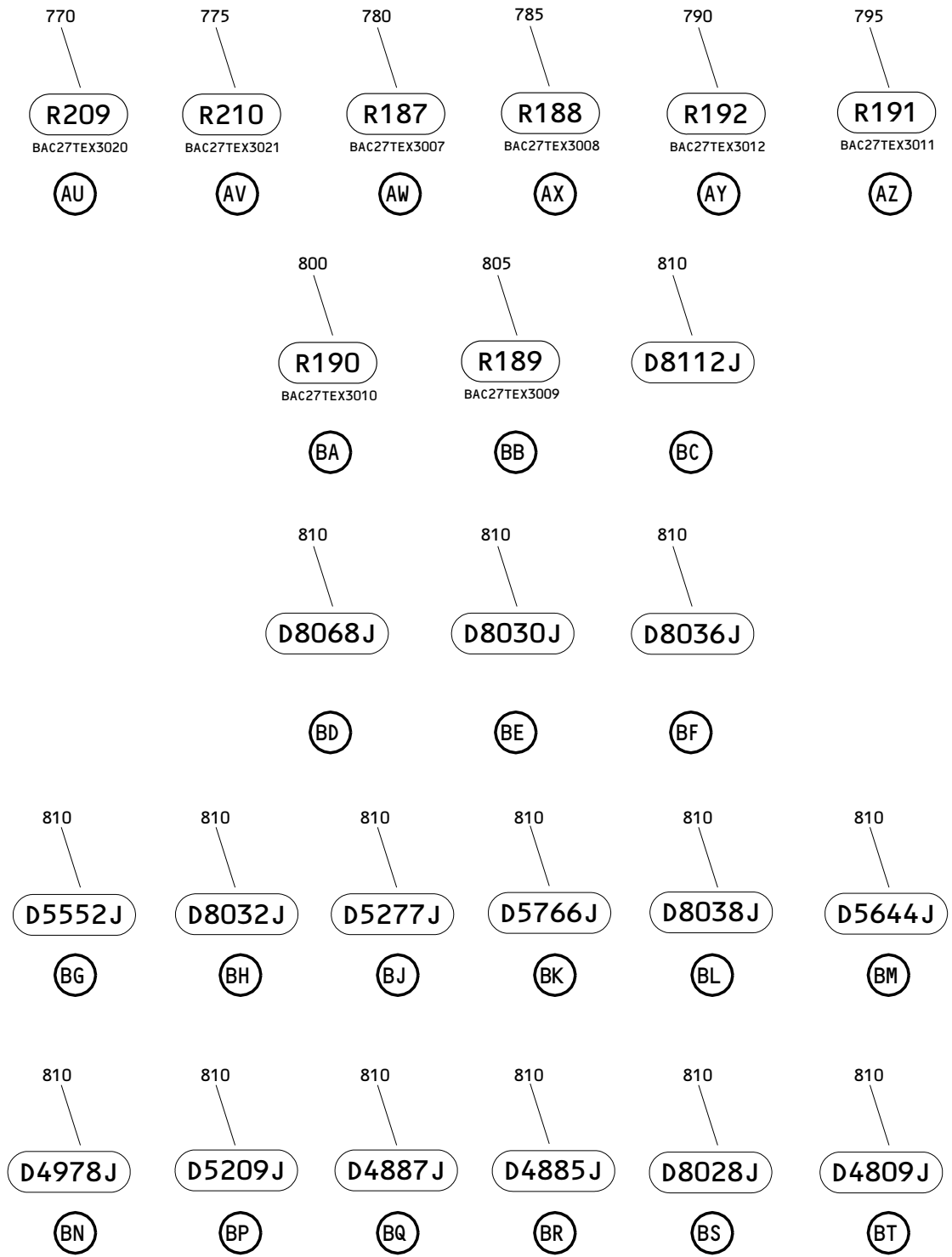


Electrical System Card File (ESCF) Assembly
 Figure 1 (Sheet 24)

25-71-01

ILLUSTRATED PARTS LIST
 01 Page 1058
 Nov 01/02

BOEING
**COMPONENT
 MAINTENANCE MANUAL**

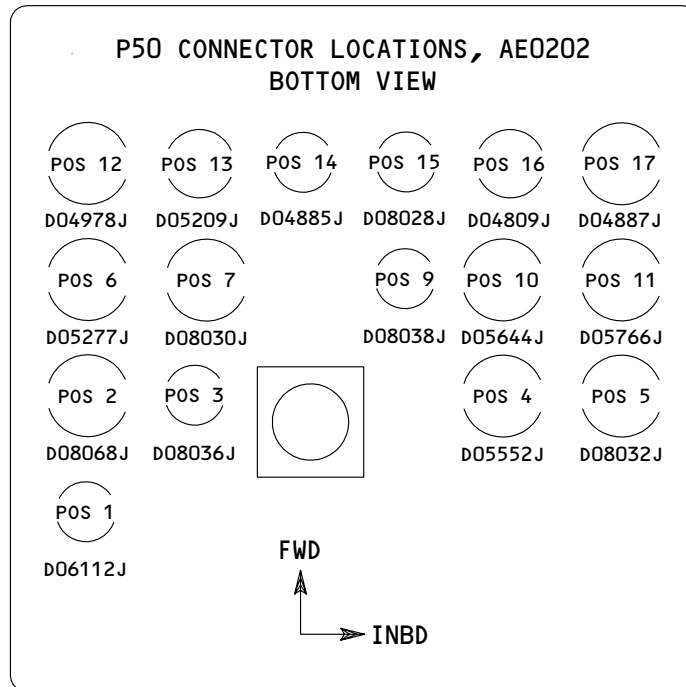


Electrical System Card File (ESCF) Assembly
 Figure 1 (Sheet 25)

25-71-01

ILLUSTRATED PARTS LIST
 01 Page 1059
 Nov 01/02

815



BAC27TEX2951

(BU)

1 2 3 4 5 6 7 8 9 10 11 12 13 14 15 16 17 18 19 20 21 22 23 24 25 26 27 28 29 30 31 32 33 34 35 36

37 38 39 40 41 42 43 44 45 46 47 48 49 50 51 52 53 54 55 56 57 58 59 60 61 62 63 64

65 66 67 68 69 70 71 72 73 74 75 76 77 78 79 80 81 82 83 84 85 86 87 88 89 90 91 92 93 94 95 96 97

BAC27TEX1316

820

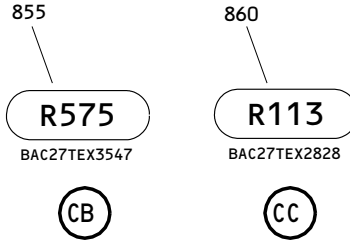
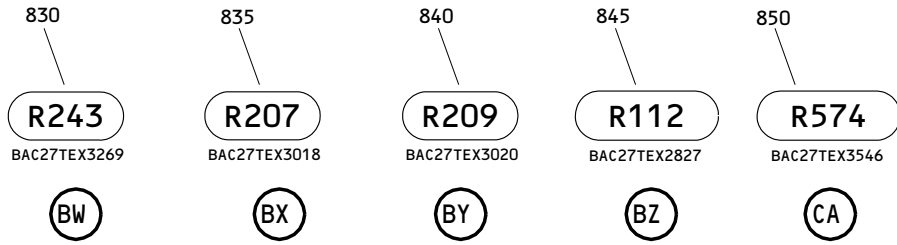
(BV)

**Electrical System Card File (ESCF) Assembly
 Figure 1 (Sheet 26)**

25-71-01

ILLUSTRATED PARTS LIST
 01 Page 1060
 Nov 01/02

BOEING
 COMPONENT
 MAINTENANCE MANUAL



865

TO INSTALL PRINTED CIRCUIT ASSEMBLIES IN CARD FILES:

1. WITH TOP & BOTTOM CARD GUIDE TENSION LEVERS IN THE OPEN POSITION, SLIDE CARD ASSY INTO GUIDES UNTIL CONNECTOR IS MATED.
2. PRESS HARD ON BOTH EXTRACTORS TO BOTTOM OUT CONNECTOR
3. CLOSE TOP & BOTTOM CARD GUIDE TENSION LEVERS.

NOTE: PULLING ON EXTRACTORS AUTOMATICALLY OPENS TENSION LEVERS FOR REMOVAL.

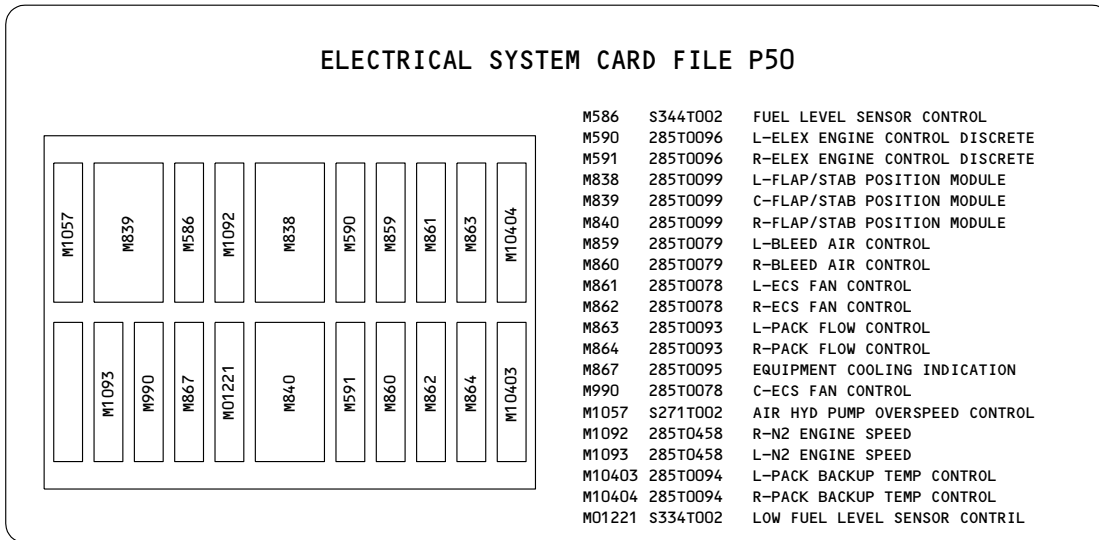
CD

Electrical System Card File (ESCF) Assembly
 Figure 1 (Sheet 27)

25-71-01

ILLUSTRATED PARTS LIST
 01 Page 1061
 Nov 01/02

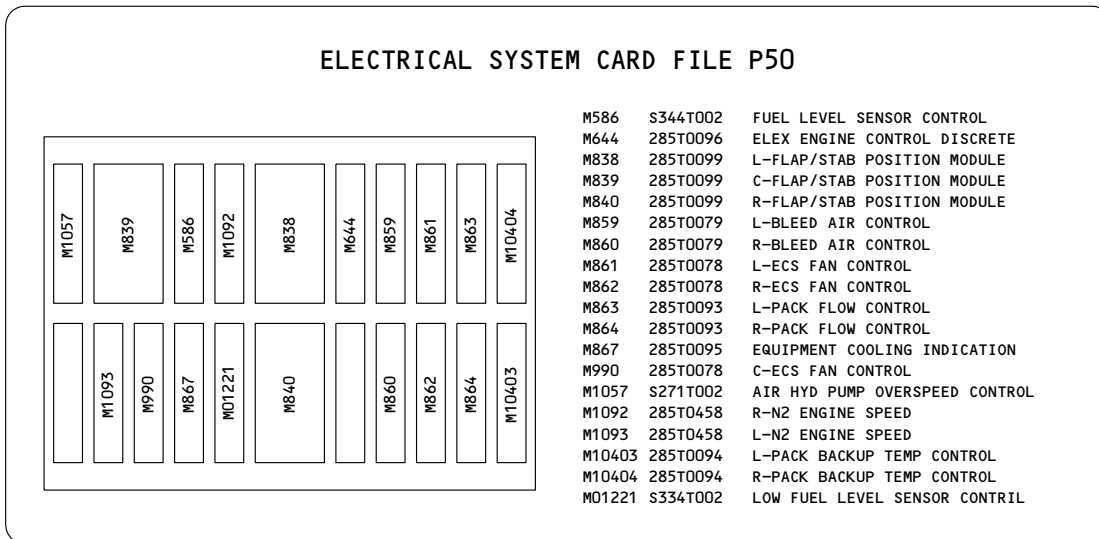
870



BAC27TEX3553

CE

875



BAC27TEX3637

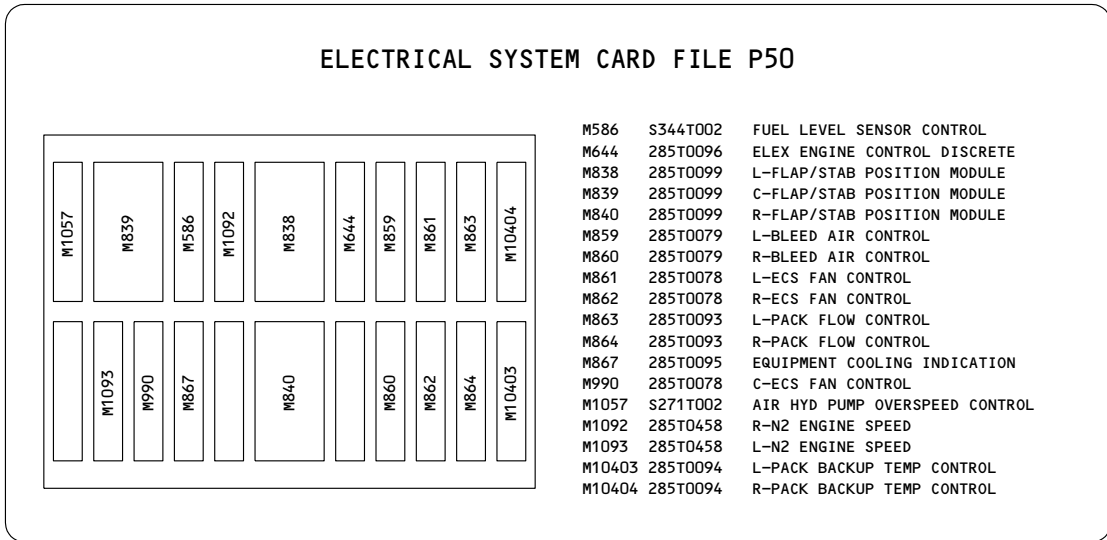
CF

Electrical System Card File (ESCF) Assembly
 Figure 1 (Sheet 28)

25-71-01

ILLUSTRATED PARTS LIST
 01 Page 1062
 Nov 01/02

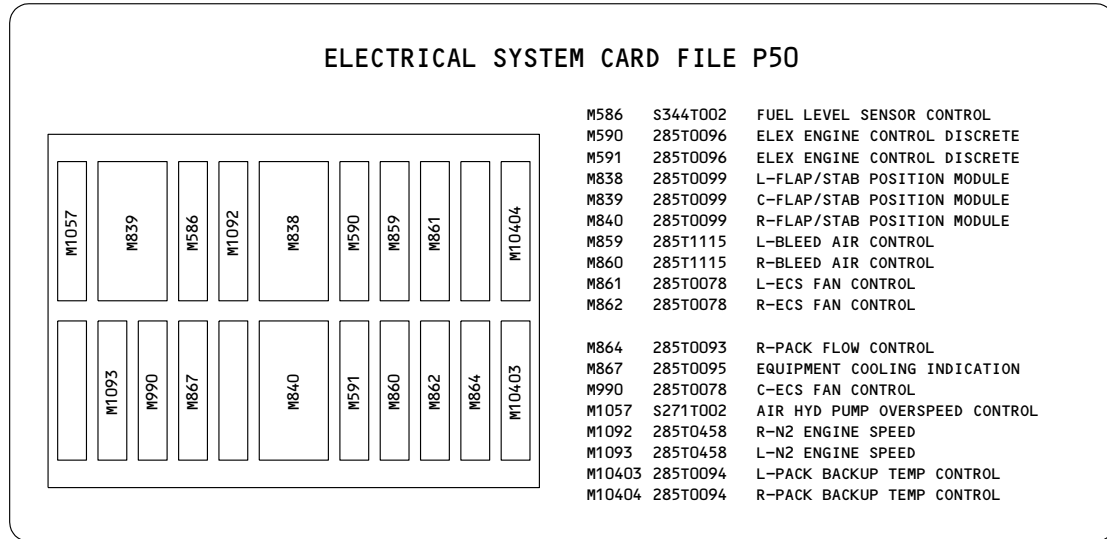
890



BAC27TEX4041

CG

895



BAC27TEX4322

CH

Electrical System Card File (ESCF) Assembly
 Figure 1 (Sheet 29)

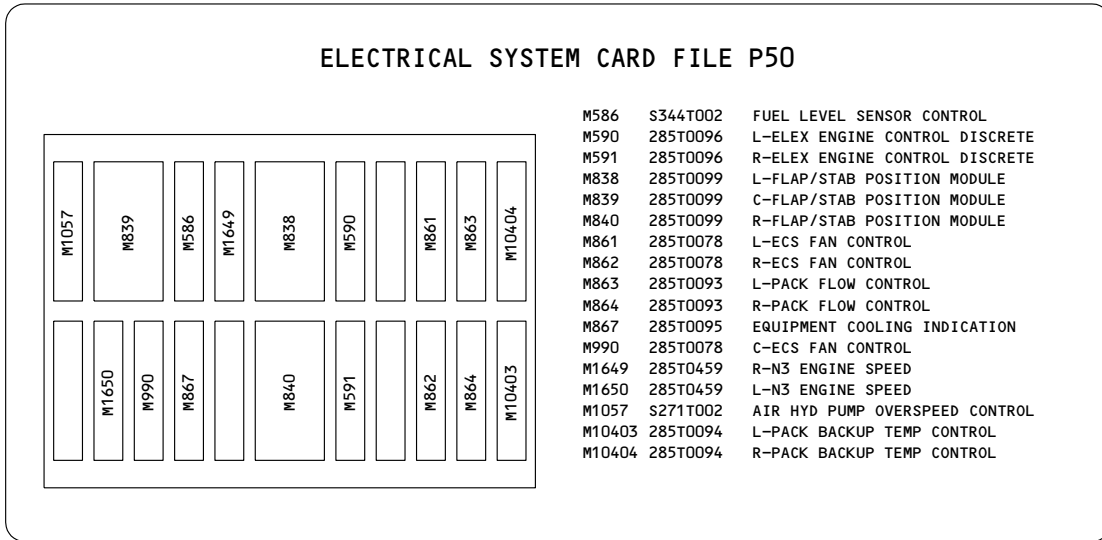
25-71-01

ILLUSTRATED PARTS LIST

01 Page 1063

Nov 01/02

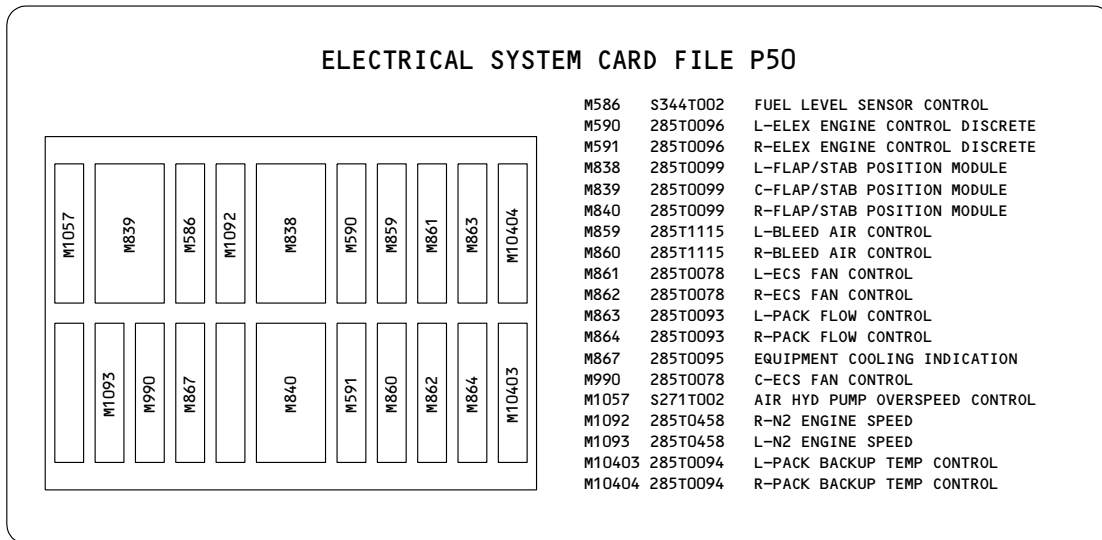
900



BAC27TEX4322

(CJ)

905



BAC27TEX4148

(CK)

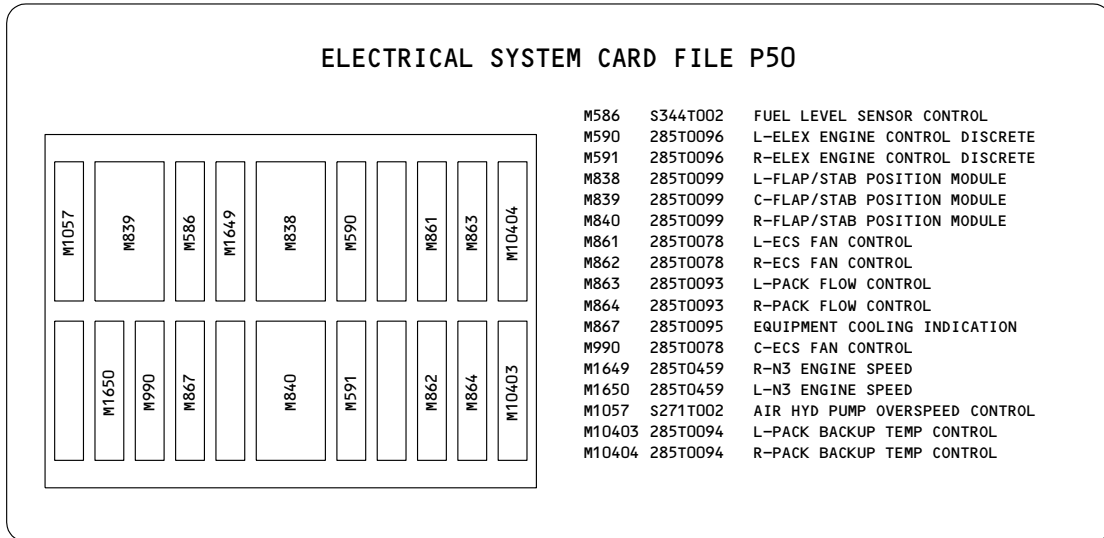
Electrical System Card File (ESCF) Assembly
 Figure 1 (Sheet 30)

25-71-01

ILLUSTRATED PARTS LIST
 01 Page 1064
 Nov 01/02

BOEING
COMPONENT
MAINTENANCE MANUAL

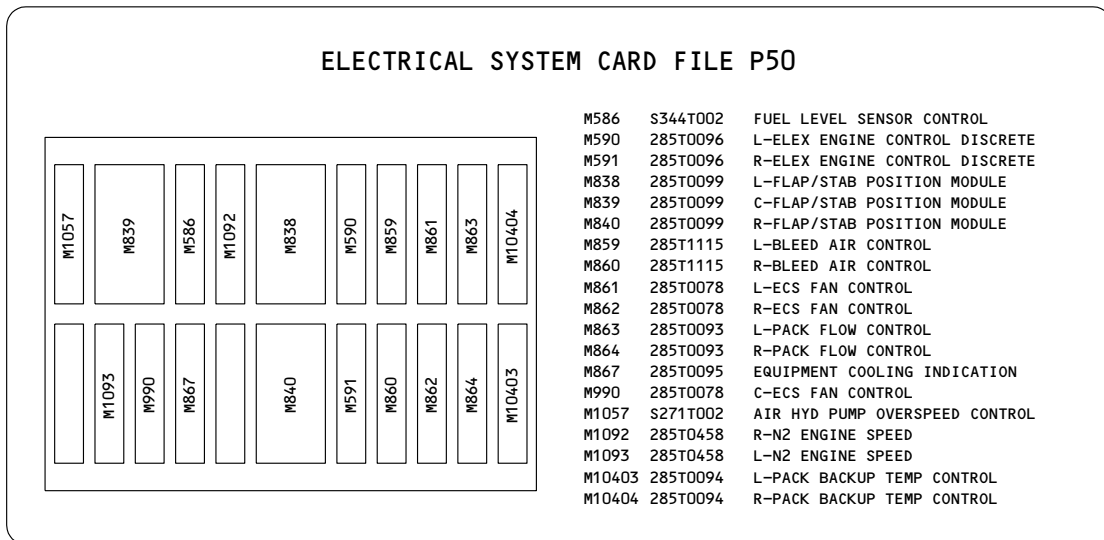
910



BAC27TEX4322

CL

915



BAC27TEX4777

CM

Electrical System Card File (ESCF) Assembly
 Figure 1 (Sheet 31)

25-71-01

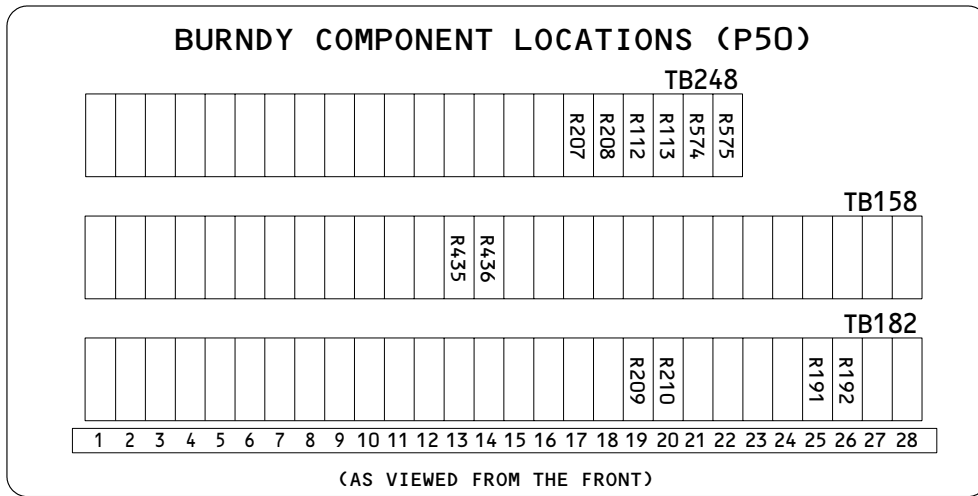
ILLUSTRATED PARTS LIST

01

Page 1065

Nov 01/02

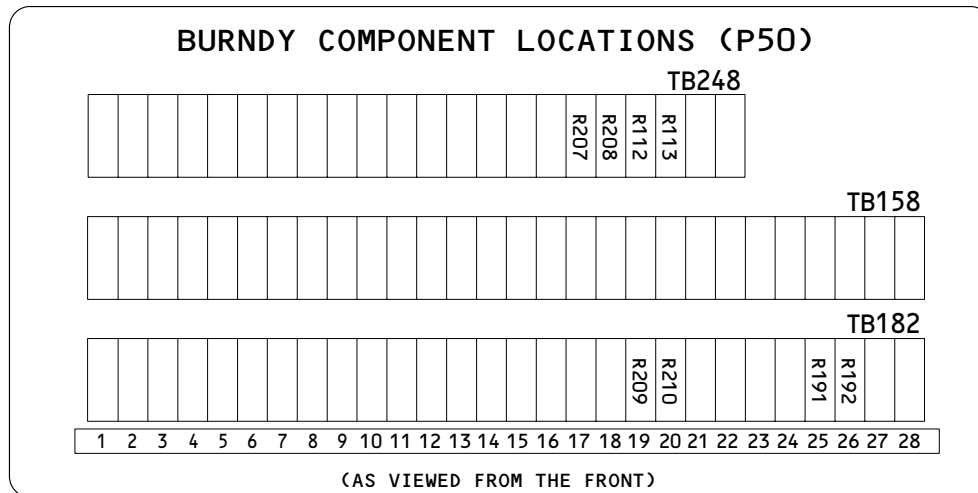
920



BAC27TEX4408

(CN)

925



BAC27TEX4412

(CP)

Electrical System Card File (ESCF) Assembly
 Figure 1 (Sheet 32)

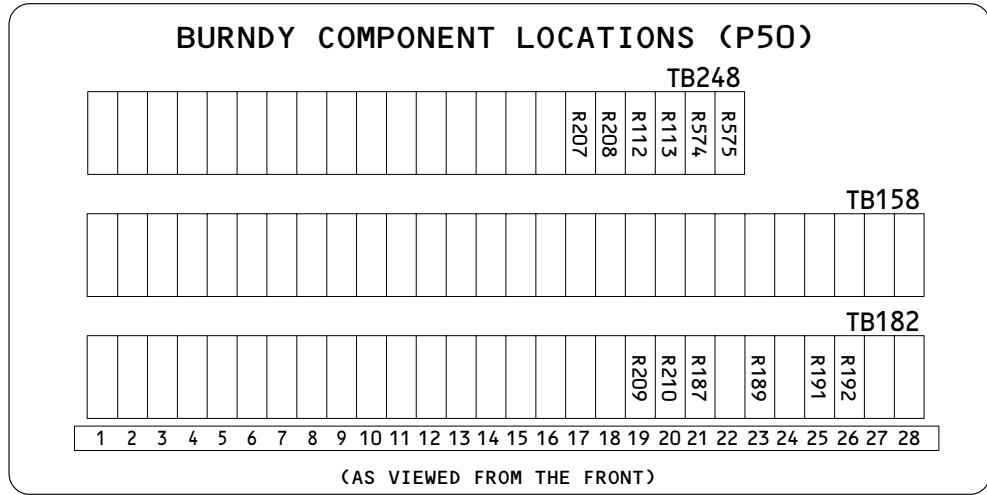
25-71-01

ILLUSTRATED PARTS LIST
 01 Page 1066
 Nov 01/02

ND00190

BOEING
 COMPONENT
 MAINTENANCE MANUAL

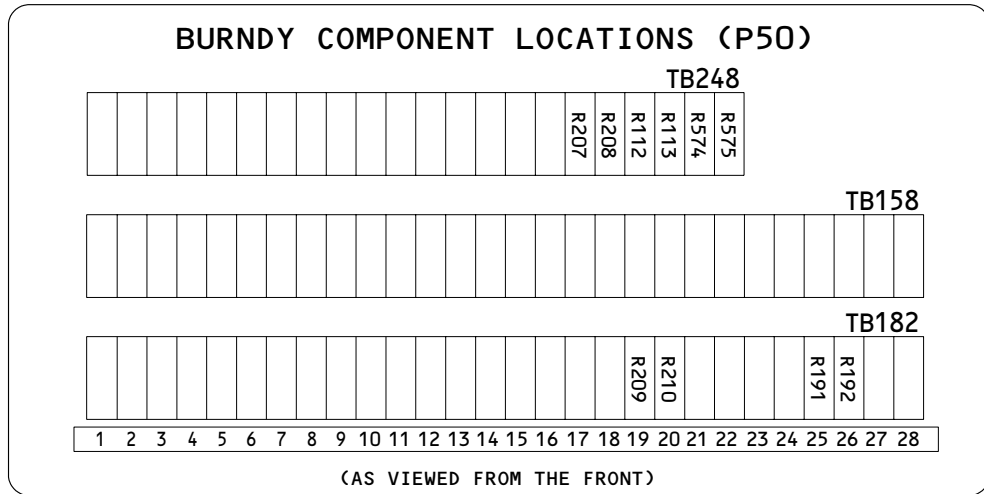
930



BAC27TEX4413

(CQ)

935



BAC27TEX4414

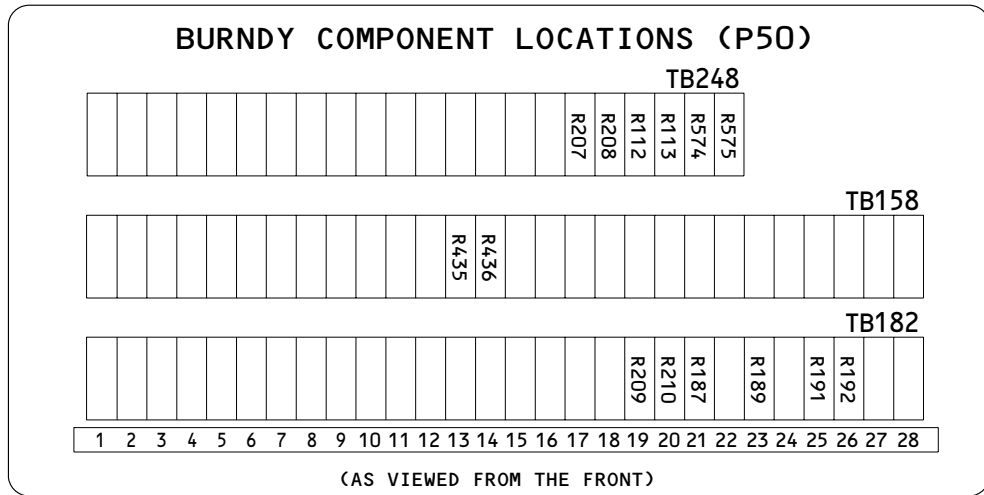
(CR)

Electrical System Card File (ESCF) Assembly
 Figure 1 (Sheet 33)

25-71-01

ILLUSTRATED PARTS LIST
 01 Page 1067
 Nov 01/02

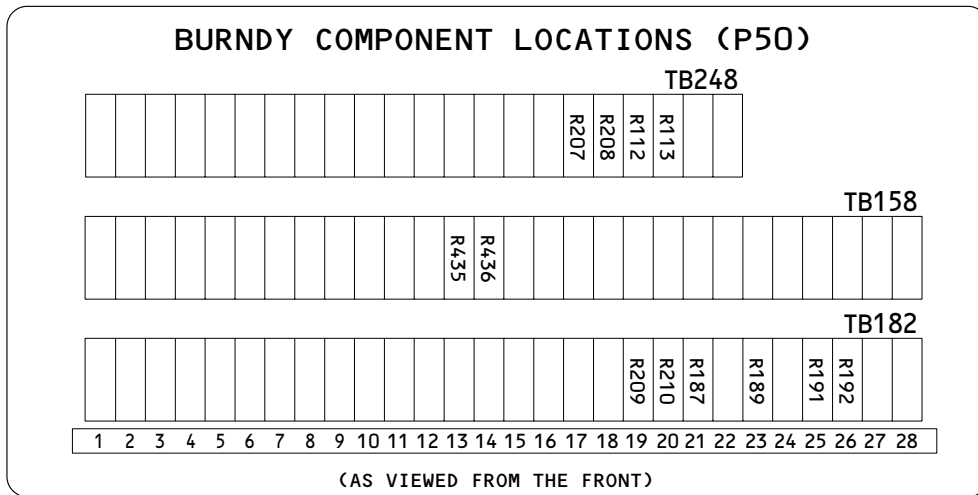
940



BAC27TEX4561

CS

945



BAC27TEX4626

CT

Electrical System Card File (ESCF) Assembly
 Figure 1 (Sheet 34)

25-71-01

ILLUSTRATED PARTS LIST
 01 Page 1068
 Nov 01/02


BOEING
 COMPONENT
 MAINTENANCE MANUAL

| FIG. & ITEM | PART NO. | AIRLINE PART NUMBER | NOMENCLATURE 1234567 | EFF CODE | QTY PER ASSY |
|-------------|-------------|---------------------|---|----------|--------------|
| 01- | | | | | |
| -1A | 285T0006-16 | | CARD FILE ASSY | A | 1 |
| -1B | 285T0006-17 | | CARD FILE ASSY | B | 1 |
| -1C | 285T0006-18 | | CARD FILE ASSY | C | 1 |
| -1D | 285T0006-19 | | CARD FILE ASSY | D | 1 |
| -1E | 285T0006-20 | | CARD FILE ASSY | E | 1 |
| -1F | 285T0006-23 | | CARD FILE ASSY | F | 1 |
| -1G | 285T0006-24 | | CARD FILE ASSY | G | 1 |
| -1H | 285T0006-27 | | CARD FILE ASSY | H | 1 |
| -1J | 285T0006-28 | | CARD FILE ASSY | J | 1 |
| -1K | 285T0006-30 | | CARD FILE ASSY | K | 1 |
| -1L | 285T0006-32 | | CARD FILE ASSY | L | 1 |
| -1M | 285T0006-37 | | CARD FILE ASSY | M | 1 |
| -1N | 285T0006-39 | | CARD FILE ASSY | N | 1 |
| -1P | 285T0006-40 | | CARD FILE ASSY | P | 1 |
| -1Q | 285T0006-43 | | CARD FILE ASSY | Q | 1 |
| -1R | 285T0006-44 | | CARD FILE ASSY | R | 1 |
| -1S | 285T0006-45 | | CARD FILE ASSY | S | 1 |
| -1T | 285T0006-46 | | CARD FILE ASSY | T | 1 |
| -1U | 285T0006-48 | | CARD FILE ASSY | U | 1 |
| -1V | 285T0006-50 | | CARD FILE ASSY | V | 1 |
| -1W | 285T0006-51 | | CARD FILE ASSY | W | 1 |
| -1X | 285T0006-54 | | CARD FILE ASSY | X | 1 |
| -1Y | 285T0006-55 | | CARD FILE ASSY | Y | 1 |
| -1Z | 285T0006-57 | | CARD FILE ASSY | Z | 1 |
| -2 | 285T0006-58 | | CARD FILE ASSY | AA | 1 |
| -2A | 285T0006-59 | | CARD FILE ASSY | AB | 1 |
| -2B | 285T0006-60 | | CARD FILE ASSY | AC | 1 |
| -2C | 285T0006-62 | | CARD FILE ASSY | AD | 1 |
| -2D | 285T0006-63 | | CARD FILE ASSY- (FOR DETAILS SEE FIG. 2) | AE | 1 |
| -2E | 285T0006-64 | | CARD FILE ASSY | AF | 1 |
| -2F | 285T0006-65 | | CARD FILE ASSY | AG | 1 |
| -2G | 285T0006-67 | | CARD FILE ASSY- (FOR DETAILS SEE FIG. 3) | AH | 1 |
| -2H | 285T0006-68 | | CARD FILE ASSY- (FOR DETAILS SEE FIG. 3) | AJ | 1 |
| -2J | 285T0006-69 | | CARD FILE ASSY- (FOR DETAILS SEE FIG. 3) | AK | 1 |
| -2K | 285T0006-70 | | CARD FILE ASSY- (FOR DETAILS SEE FIG. 3) | AL | 1 |
| -2L | 285T0006-71 | | CARD FILE ASSY- (FOR DETAILS SEE FIG. 3) | AM | 1 |
| -2M | 285T0006-72 | | CARD FILE ASSY- (FOR DETAILS SEE FIG. 3) | AN | 1 |

25-71-01

ILLUSTRATED PARTS LIST

01

Page 1069

Nov 01/02

| FIG. & ITEM | PART NO. | AIRLINE PART NUMBER | NOMENCLATURE 1234567 | EFF CODE | QTY PER ASSY |
|-------------|--------------|---------------------|---|----------|--------------|
| 01- -2N | 285T0006-74 | | CARD FILE ASSY- (FOR DETAILS SEE FIG. 3) | AP | 1 |
| -2P | 285T0006-75 | | CARD FILE ASSY- (FOR DETAILS SEE FIG. 3) | AQ | 1 |
| -2Q | 285T0006-76 | | CARD FILE ASSY- (FOR DETAILS SEE FIG. 3) | AR | 1 |
| -2R | 285T0006-77 | | CARD FILE ASSY- (FOR DETAILS SEE FIG. 3) | AS | 1 |
| -2S | 285T0006-79 | | CARD FILE ASSY- (FOR DETAILS SEE FIG. 3) | AT | 1 |
| -2T | 285T0006-81 | | CARD FILE ASSY- (FOR DETAILS SEE FIG. 3) | AU | 1 |
| -2U | 285T0006-82 | | CARD FILE ASSY- (FOR DETAILS SEE FIG. 3) | AV | 1 |
| -2V | 285T0006-83 | | CARD FILE ASSY- (FOR DETAILS SEE FIG. 3) | AW | 1 |
| -2W | 285T0006-84 | | CARD FILE ASSY- (FOR DETAILS SEE FIG. 3) | AX | 1 |
| -2X | 285T0006-85 | | CARD FILE ASSY- (FOR DETAILS SEE FIG. 3) | AY | 1 |
| -2Y | 285T0006-86 | | CARD FILE ASSY- (FOR DETAILS SEE FIG. 3) | AZ | 1 |
| -2Z | 285T0006-87 | | CARD FILE ASSY- (FOR DETAILS SEE FIG. 3) | BA | 1 |
| -3 | 285T0006-88 | | CARD FILE ASSY- (FOR DETAILS SEE FIG. 2) | BB | 1 |
| -3A | 285T0006-89 | | CARD FILE ASSY- (FOR DETAILS SEE FIG. 2) | BC | 1 |
| -3B | 285T0006-90 | | CARD FILE ASSY- (FOR DETAILS SEE FIG. 2) | BD | 1 |
| -3C | 285T0006-97 | | CARD FILE ASSY | BE | 1 |
| -3D | 285T0006-98 | | CARD FILE ASSY | BF | 1 |
| -3E | 285T0006-100 | | CARD FILE ASSY- (FOR DETAILS SEE FIG. 3) | BG | 1 |
| -3F | 285T0006-101 | | CARD FILE ASSY- (FOR DETAILS SEE FIG. 3) | BH | 1 |
| -3G | 285T0006-107 | | CARD FILE ASSY- (FOR DETAILS SEE FIG. 3) | BJ | 1 |
| -3H | 285T0006-108 | | CARD FILE ASSY- (FOR DETAILS SEE FIG. 3) | BK | 1 |
| -3J | 285T0006-109 | | CARD FILE ASSY- (FOR DETAILS SEE FIG. 3) | BL | 1 |
| -3K | 285T0006-110 | | CARD FILE ASSY- (FOR DETAILS SEE FIG. 3) | BM | 1 |

25-71-01

 ILLUSTRATED PARTS LIST
 01 Page 1070
 Nov 01/02


BOEING
 COMPONENT
 MAINTENANCE MANUAL

| FIG. & ITEM | PART NO. | AIRLINE PART NUMBER | NOMENCLATURE 1234567 | EFF CODE | QTY PER ASSY |
|-------------|--------------|---------------------|---|----------|--------------|
| 01- -3L | 285T0006-112 | | CARD FILE ASSY- (FOR DETAILS SEE FIG. 3) | BN | 1 |
| -3M | 285T0006-113 | | CARD FILE ASSY- (FOR DETAILS SEE FIG. 3) | BP | 1 |
| -3N | 285T0006-114 | | CARD FILE ASSY- (FOR DETAILS SEE FIG. 3) | BQ | 1 |
| -3P | 285T0006-115 | | CARD FILE ASSY- (FOR DETAILS SEE FIG. 3) | BR | 1 |
| -3Q | 285T0006-116 | | CARD FILE ASSY- (FOR DETAILS SEE FIG. 3) | BS | 1 |
| -3R | 285T0006-117 | | CARD FILE ASSY- (FOR DETAILS SEE FIG. 2) | BT | 1 |
| -3S | 285T0006-118 | | CARD FILE ASSY- (FOR DETAILS SEE FIG. 3) | BU | 1 |
| -3T | 285T0006-119 | | CARD FILE ASSY- (FOR DETAILS SEE FIG. 3) | BV | 1 |
| -3U | 285T0006-120 | | CARD FILE ASSY- (FOR DETAILS SEE FIG. 3) | BW | 1 |
| -3V | 285T0006-121 | | CARD FILE ASSY- (FOR DETAILS SEE FIG. 3) | BX | 1 |
| -3W | 285T0006-122 | | CARD FILE ASSY- (FOR DETAILS SEE FIG. 3) | BY | 1 |
| -3X | 285T0006-126 | | CARD FILE ASSY- (FOR DETAILS SEE FIG. 3) | BZ | 1 |
| -3Y | 285T0006-127 | | CARD FILE ASSY- (FOR DETAILS SEE FIG. 3) | CA | 1 |
| -3Z | 285T0006-128 | | CARD FILE ASSY- (FOR DETAILS SEE FIG. 3) | CB | 1 |
| -4 | 285T0006-129 | | CARD FILE ASSY- (FOR DETAILS SEE FIG. 3) | CC | 1 |
| -4A | 285T0006-130 | | CARD FILE ASSY- (FOR DETAILS SEE FIG. 3) | CD | 1 |
| -4B | 285T0006-131 | | CARD FILE ASSY- (FOR DETAILS SEE FIG. 3) | CE | 1 |
| -4C | 285T0006-132 | | CARD FILE ASSY- (FOR DETAILS SEE FIG. 3) | CF | 1 |
| -4D | 285T0006-133 | | CARD FILE ASSY- (FOR DETAILS SEE FIG. 3) | CG | 1 |

25-71-01

 ILLUSTRATED PARTS LIST
 01 Page 1071
 Nov 01/02

| FIG. & ITEM | PART NO. | AIRLINE PART NUMBER | NOMENCLATURE 1234567 | EFF CODE | QTY PER ASSY |
|-------------|--------------|---------------------|---|----------------|--------------|
| 01-10 | VNS1924CA1-8 | | .STUD- (V5M902) (SPEC BACS53B1EA1) (OPT VNS1924CA3-1-8 (V92215)) | A-AD, AF,AG | 1 |
| 15 | NAS1801-06-5 | | .SCREW | A-AD, AF,AG | 8 |
| 20 | NAS1801-04-5 | | .SCREW | A-AD, AF,AG | 56 |
| 25 | NAS1801-04-6 | | .SCREW | A-AD, AF,AG | 11 |
| 30 | NAS620A6L | | .WASHER | A-AD, AF,AG | AR |
| 35 | NAS620A4L | | .WASHER | A-AD, AF,AG | AR |
| 40 | AN960JD4L | | .WASHER | A-AD, AF,AG | 11 |
| 45 | H10-06BAC | | .NUT- (V15653) (SPEC BACN10JC06) (OPT RMLH9075-62W (V72962)) (OPT VN303A62 (V92215)) (OPT 96-62 (V80539)) (OPT NS202101-62 (V80539)) (OPT T6S632J (V11815)) (OPT BRH10A06 (V52828)) | A-AD, AF,AG | 8 |

25-71-01

 ILLUSTRATED PARTS LIST
 01 Page 1072
 Nov 01/02


BOEING
 COMPONENT
 MAINTENANCE MANUAL

| FIG. & ITEM | PART NO. | AIRLINE PART NUMBER | NOMENCLATURE 1234567 | EFF CODE | QTY PER ASSY |
|-------------|------------|---------------------|---|----------------|--------------|
| 01-50 | H10-04BAC | | .NUT- (V15653) (SPEC BACN10JC04) (OPT NS202101-40 (V80539)) (OPT RMLH9075-40W (V72962)) (OPT VN303A40 (V92215)) (OPT 96-40 (V80539)) (OPT BRH10A04 (V52828)) (OPT T6S440J (V11815)) | A-AD, AF,AG | 56 |
| 55 | MS21042L04 | | .NUT | A-AD, AF,AG | 11 |
| 60 | AMMC6 | | .CLAMP ASSY- (V09922) (SPEC BACC49A1) (OPT FAB278 (V15805)) (OPT H28-1 (V34941)) (OPT UP103 (V6E102)) | A-AD, AF,AG | 6 |
| 65 | AMY0940T5 | | .TRACK- (V09922) (SPEC BACT44B0940U) | A-AD, AF,AG | 2 |
| 70 | AMY0770T5 | | .TRACK- (V09922) (SPEC BACT44B0770U) | A-AD, AF,AG | 1 |
| 75 | YHLZD30 | | .DIODE-MODULE (V09922) (R112, R113, R191, R192, R207-R210) | A-AD, AF,AG | 8 |
| 80 | YHLZD30 | | .DIODE-MODULE (V09922) (R243) | E-G, J-L | 1 |

25-71-01

ILLUSTRATED PARTS LIST

01

Page 1073

Nov 01/02

| FIG. & ITEM | PART NO. | AIRLINE PART NUMBER | NOMENCLATURE 1234567 | EFF CODE | QTY PER ASSY |
|-------------|------------|---------------------|---|---------------------------------------|--------------|
| 01-85 | YHLZD30 | | .DIODE-MODULE (V09922) (R187, R189) | A-R,T ,V,W, Z,AB, AC,AF | 2 |
| 90 | YHLZD30 | | .DIODE-MODULE (V09922) (R188, R190) | A-G, J-L | 2 |
| 95 | YHLZD33 | | .DIODE-BLOCK (V09922) (R574, R575) | F,G, L-P, R-AA, AC,AD ,AF | 2 |
| 100 | YHLZD33 | | .DIODE-BLOCK (V09922) (R435, R436) | T,AC | 2 |
| -100A | YHLZD9 | | .DIODE-BLOCK (V09922) (R435, R436) | W-Y,A A,AB, AD,AG | 2 |
| -100B | YHLZD9 | | .DIODE-BLOCK (V09922) (R435, R436) (OPT ITEM 100C) | AF | 2 |
| -100C | YHLZD30 | | .DIODE-BLOCK (V09922) (R435, R436) (OPT ITEM 100B) | AF | 2 |
| 105 | 285T0006-5 | | .SEAL | A-AD, AF,AG | 3 |
| 110 | 285T0018-7 | | .SEAL | A-AD, AF,AG | 2 |
| 115 | 285T0018-6 | | .SEAL | A-AD, AF,AG | 2 |
| 120 | 285T0006-4 | | .SEAL | A-AD, AF,AG | 1 |

25-71-01

ILLUSTRATED PARTS LIST

01

Page 1074

Nov 01/02


BOEING
 COMPONENT
 MAINTENANCE MANUAL

| FIG. & ITEM | PART NO. | AIRLINE PART NUMBER | NOMENCLATURE 1234567 | EFF CODE | QTY PER ASSY |
|-------------|--------------|---------------------|---------------------------------|--|--------------|
| 01-125 | NAS1801-06-5 | | .SCREW | A-AD, AF,AG | 12 |
| 130 | 285T0296-51 | | .PANEL ASSY | A-G, J-L,P R-T, V,X,A D,AF | 1 |
| -130A | 285T0296-51 | | .PANEL ASSY- (OPT ITEM 130B) | H,M,N Q,U, Y,Z,A B | 1 |
| -130B | 285T0296-93 | | .PANEL ASSY- (OPT ITEM 130A) | H,M,N Q,U, Y,Z,A B | 1 |
| -130C | 285T0296-93 | | .PANEL ASSY | W,AA, AC,AG | 1 |
| 135 | 285T0296-62 | | .PANEL ASSY | A-G, J-L,P R-T, V,X,A D,AF | 1 |
| -135A | 285T0296-62 | | .PANEL ASSY- (OPT ITEM 135B) | H,M,N Q,U, Y,Z,A B | 1 |
| -135B | 285T0296-94 | | .PANEL ASSY- (OPT ITEM 135A) | H,M,N Q,U, Y,Z,A B | 1 |
| -135C | 285T0296-94 | | .PANEL ASSY | W,AA, AC,AG | 1 |
| 140 | 285T0296-45 | | .PANEL ASSY | A-G, J-L,P R-T, V,X,A D,AF | 1 |

25-71-01

ILLUSTRATED PARTS LIST

01

Page 1075

Nov 01/02

| FIG. & ITEM | PART NO. | AIRLINE PART NUMBER | NOMENCLATURE 1234567 | EFF CODE | QTY PER ASSY |
|--------------|--------------|---------------------|---|---------------------------------------|--------------|
| 01- -140A | 285T0296-45 | | .PANEL ASSY- (OPT ITEM 140B) | H,M,N ,Q,U, Y,Z,A B | 1 |
| -140B | 285T0296-92 | | .PANEL ASSY- (OPT ITEM 140A) | H,M,N ,Q,U, Y,Z,A B | 1 |
| -140C | 285T0296-92 | | .PANEL ASSY | W,AA, AC,AG | 1 |
| 145 | BACR15BA4AD | | ..RIVET- (SIZE DETERMINE ON INST) | A-AD, AF,AG | 8 |
| 150 | 285T0296-95 | | ..SHIM- (USED ON ITEMS 130B, 130C, 135B, 135C, 140B, 140C) | H,M,N ,Q,U, W,Y, Z-AC, AG | 4 |
| 155 | 285T0296-95 | | ..SHIM- (USED ON ITEMS 130B, 130C) | H,M,N ,Q,U, W,Y, Z-AC, AG | 4 |
| 160 | 285T0296-21 | | ..BAR ASSY-SUPPORT | A-AD, AF,AG | 3 |
| 165 | 285T0296-22 | | ..BAR ASSY-SUPPORT | A-AD, AF,AG | 3 |
| 170 | MS21209C0615 | | ...INSERT- (USED ON ITEM 160) | A-AD, AF,AG | 4 |
| 175 | MS21209C0615 | | ...INSERT- (USED ON ITEM 165) | A-AD, AF,AG | 2 |
| 180 | 285T0296-23 | | ...BAR- (USED ON ITEM 160) | A-AD, AF,AG | 1 |
| 185 | 285T0296-24 | | ...BAR- (USED ON ITEM 165) | A-AD, AF,AG | 1 |
| 190 | 285T0222-4 | | ..SEAL- (OPT ITEM 190A) | A-AD, AF,AG | 2 |
| -190A | 285T0296-96 | | ..SEAL- (OPT ITEM 190) | A-AD, AF,AG | 2 |
| 195 | 285T0296-4 | | DELETED | | |

25-71-01

ILLUSTRATED PARTS LIST

01 Page 1076

Nov 01/02


BOEING
 COMPONENT
 MAINTENANCE MANUAL

| FIG. & ITEM | PART NO. | AIRLINE PART NUMBER | NOMENCLATURE 1234567 | EFF CODE | QTY PER ASSY |
|--------------|-------------|---------------------|--|---|--------------|
| 01- -195A | 285T0296-96 | | ..SEAL- (OPT ITEM 195B) (USED ON ITEM 135C) | W,AA, AC,AG | 2 |
| -195B | 285T0224-4 | | ..SEAL- (OPT ITEM 195A) (USED ON ITEM 135C) | W,AA, AC,AG | 2 |
| 200 | 285T0296-46 | | ..GUIDE ASSY- (USED ON ITEMS 130, 135, 130C, 135C) | A-G, J-L,P ,R-T, V-X,A A,AC AD,AF ,AG | 1 |
| 205 | 285T0296-43 | | ..GUIDE ASSY- (USED ON ITEMS 140, 140C) | A-G, J-L,P ,R-T, V-X,A A,AC AD,AF ,AG | 1 |
| 210 | 285T0296-61 | | ..GUIDE ASSY- (USED ON ITEMS 135, 135C) | A-G, J-L,P ,R-T, V-X,A A,AC AD,AF ,AG | 1 |
| 215 | BACR15BB2AD | | ...RIVET- (SIZE DETERMINE ON INST) | A-G, J-L,P ,R-T, V-X,A A,AC AD,AF ,AG | 36 |

25-71-01

ILLUSTRATED PARTS LIST

01

Page 1077

Nov 01/02

| FIG. & ITEM | PART NO. | AIRLINE PART NUMBER | NOMENCLATURE 1234567 | EFF CODE | QTY PER ASSY |
|-------------|--------------|---------------------|--|---|--------------|
| 01-220 | 24BX2-12-3L | | ...RETAINER-CARD (V07387) (USED ON ITEM 200) | A-G, J-L,P ,R-T, V-X,A A,AC AD,AF ,AG | 12 |
| 225 | 24BX2-12-3R | | ...RETAINER-CARD (V07387) (USED ON ITEMS 205, 210) | A-G, J-L,P ,R-T, V-X,A A,AC AD,AF ,AG | 12 |
| 230 | 285T0296-47 | | ...GUIDE-CARD (USED ON ITEM 200) | A-G, J-L,P ,R-T, V-X,A A,AC AD,AF ,AG | 1 |
| 235 | 285T0296-60 | | ...GUIDE-CARD (USED ON ITEM 210) | A-G, J-L,P ,R-T, V-X,A A,AC AD,AF ,AG | 1 |
| 240 | 285T0296-44 | | ...GUIDE-CARD (USED ON ITEM 205) | A-G, J-L,P ,R-T, V-X,A A,AC AD,AF ,AG | 1 |
| 245 | NAS1801-04-5 | | .SCREW | A-AD, AF,AG | 34 |
| 246 | NAS1801-04-5 | | .SCREW | A-AD, AF,AG | 2 |
| 247 | NAS1801-04-5 | | .SCREW | B,D | 2 |

25-71-01

 ILLUSTRATED PARTS LIST
 01 Page 1078
 Nov 01/02


BOEING
 COMPONENT
 MAINTENANCE MANUAL

| FIG. & ITEM | PART NO. | AIRLINE PART NUMBER | NOMENCLATURE 1234567 | EFF CODE | QTY PER ASSY |
|-------------|---------------|---------------------|--|-------------------------|--------------|
| 01-250 | NAS1801-04-4 | | . SCREW | A-AD, AF,AG | 4 |
| 252 | NAS1801-04-4 | | . SCREW | B,D,R ,T,V, AC,AF | 34 |
| 253 | NAS1801-04-4 | | . SCREW | V,AF | 4 |
| 255 | NAS1801-06-11 | | . SCREW | A-E | 1 |
| -255A | NAS1801-06-20 | | . SCREW | F-AD, AF,AG | 1 |
| 260 | MS38338-40 | | . WASHER | A-AD, AF,AG | 34 |
| 262 | MS38338-40 | | . WASHER | A-U,W ,AD,A G | 4 |
| 263 | MS38338-40 | | . WASHER | B,D | 2 |
| 265 | AN960JD8L | | . WASHER | A-E | 1 |
| -265A | AN960D6 | | . WASHER | F-AD, AF,AG | 1 |
| 270 | H10-04BAC | | . NUT- (V15653) (SPEC BACN10JC04) (OPT NS202101-40 (V80539)) (OPT RMLH9075-40W (V72962)) (OPT VN303A40 (V92215)) (OPT 96-40 (V80539)) (OPT BRH10A04 (V52828)) (OPT T6S440J (V11815)) | A-AD, AF,AG | 4 |

25-71-01

ILLUSTRATED PARTS LIST

01

Page 1079

Nov 01/02

| FIG. & ITEM | PART NO. | AIRLINE PART NUMBER | NOMENCLATURE 1234567 | EFF CODE | QTY PER ASSY |
|-------------|-------------|---------------------|---|----------------|--------------|
| 01-272 | H10-04BAC | | .NUT- (V15653) (SPEC BACN10JC04) (OPT NS202101-40 (V80539)) (OPT RMLH9075-40W (V72962)) (OPT VN303A40 (V92215)) (OPT 96-40 (V80539)) (OPT BRH10A04 (V52828)) (OPT T6S440J (V11815)) | B,D,V ,AF | 2 |
| 273 | H10-04BAC | | .NUT- (V15653) (SPEC BACN10JC04) (OPT NS202101-40 (V80539)) (OPT RMLH9075-40W (V72962)) (OPT VN303A40 (V92215)) (OPT 96-40 (V80539)) (OPT BRH10A04 (V52828)) (OPT T6S440J (V11815)) | V,AF | 4 |
| 275 | 285T0018-10 | | .PLATE-COVER (1A17) | A-AD, AF,AG | 1 |
| 280 | 285T0018-10 | | .PLATE-COVER (1A2) | R,T,A C | 1 |
| 285 | 285T0018-11 | | .PLATE-COVER (1A21) | A-AD, AF,AG | 1 |

25-71-01

ILLUSTRATED PARTS LIST

01

Page 1080

Nov 01/02


BOEING
 COMPONENT
 MAINTENANCE MANUAL

| FIG. & ITEM | PART NO. | AIRLINE PART NUMBER | NOMENCLATURE 1234567 | EFF CODE | QTY PER ASSY |
|-------------|--------------|---------------------|--|--|--------------|
| 01-290 | 285T0018-11 | | .PLATE-COVER (1A15) | B,D,G ,J, L-N,U ,W,Y, Z,AF | 1 |
| 295 | 285T0018-11 | | .PLATE-COVER (1A4) | V,AF | 1 |
| 300 | 285T0018-11 | | .PLATE-COVER (1A14) | V,AF | 1 |
| 305 | 285T0296-56 | | .PLATE-CONNECTOR | A-M,P ,V,AB ,AG | 1 |
| -305A | 285T0296-89 | | .PLATE-CONNECTOR | N,Q-U ,W-AA ,AC,A D,AF | 1 |
| 310 | 285T0296-59 | | .PLATE-CONNECTOR | A-M,P ,V,AB ,AG | 1 |
| -310A | 285T0296-90 | | .PLATE-CONNECTOR | N,Q-U ,W-AA ,AC,A D,AF | 1 |
| 315 | NAS1801-06-5 | | .SCREW | A-AD, AF,AG | 11 |
| 320 | MS35388-44 | | .WASHER | A-AD, AF,AG | 1 |
| 325 | 108-0740-001 | | .JACK-BANANA (V74970) | A-AD, AF,AG | 1 |
| 330 | BACR15BB4AD | | .RIVET- (SIZE DETERMINE ON INST) | A-AD, AF,AG | 20 |
| 335 | BACR15BB3AD | | .RIVET- (SIZE DETERMINE ON INST) | A-AD, AF,AG | 10 |
| 340 | WSI4-3 | | .NUTPLATE- (V04169) (SPEC BACN10TL3-3) | A-AD, AF,AG | 3 |
| 345 | WSI4-6 | | .NUTPLATE- (V04169) (SPEC BACN10TL3-6) | A-AD, AF,AG | 2 |

25-71-01

ILLUSTRATED PARTS LIST

01 Page 1080A

Nov 01/02

| FIG. & ITEM | PART NO. | AIRLINE PART NUMBER | NOMENCLATURE 1234567 | EFF CODE | QTY PER ASSY |
|-------------|-----------|---------------------|---|--|--------------|
| 01-350 | NAS603-7P | | .SCREW | A-AD, AF,AG | 5 |
| 355 | TM3S10 | | .PLATE- (V06383) (SPEC STBP19M12) | A-AD, AF,AG | 5 |
| 360 | YHLZG16-1 | | .BLOCK-TERMINAL (V09922) | A-AD, AF,AG | 5 |
| -365 | YHLZ2 | | .MODULE- (V09922) (SPEC BACM15C1A) (OPT YHLZ22 (V09922)) | F,H, M-P, R-AA, AC,AD ,AF,A G | AR |
| -370 | YHLZ4 | | .MODULE- (V09922) (SPEC BACM15C1B) (OPT YHLZ44 (V09922)) | F,H, M-P, R-AA, AC,AD ,AF,A G | AR |
| -375 | YHLZ8 | | .MODULE- (V09922) (SPEC BACM15C2A) | F,H, M-P, R-AA, AC,AD ,AF,A G | AR |
| -380 | YHLZ16-2 | | .MODULE- (V09922) (SPEC BACM15C3A) (OPT TBH120450 (V58982)) (OPT 421120-450 (V58982)) | F,H, M-P, R-AA, AC,AD ,AF,A G | AR |
| -385 | YHLZ16-4 | | .MODULE- (V09922) (SPEC BACM15C3B) (OPT 421120-452 (V58982)) (OPT TBH120452 (V58982)) | F,H, M-P, R-AA, AC,AD ,AF,A G | AR |

25-71-01

 ILLUSTRATED PARTS LIST
 01 Page 1080B
 Nov 01/02


BOEING
 COMPONENT
 MAINTENANCE MANUAL

| FIG. & ITEM | PART NO. | AIRLINE PART NUMBER | NOMENCLATURE 1234567 | EFF CODE | QTY PER ASSY |
|-------------|-------------|---------------------|---|--|--------------|
| 01- -390 | YHLZ16-8 | | .MODULE- (V09922) (SPEC BACM15C3C) (OPT 421120-454 (V58982)) (OPT TBH120454 (V58982)) | F,H, M-P, R-AA, AC,AD ,AF,A G | AR |
| 395 | 285T0006-11 | | .ENCLOSURE ASSY | A-D | 1 |
| -395A | 285T0006-22 | | .ENCLOSURE ASSY | E | 1 |
| -395B | 285T0006-25 | | .ENCLOSURE ASSY | F,G | 1 |
| -395C | 285T0006-26 | | .ENCLOSURE ASSY | J-L | 1 |
| -395D | 285T0006-38 | | .ENCLOSURE ASSY | H,M-A D,AF, AG | 1 |
| 400 | BACR15BB5AD | | ..RIVET- (SIZE DETERMINE ON INST) | A-AD, AF,AG | 4 |
| 405 | BACR15BB6AD | | ..RIVET- (SIZE DETERMINE ON INST) | A-AD, AF,AG | 5 |
| 410 | 285T0296-54 | | ..BRACKET | A-E | 2 |
| 415 | 285T0296-79 | | ..BRACKET | F-AD, AF,AG | 1 |
| 420 | 285T0296-80 | | ..BRACKET ASSY | F-AD, AF,AG | 1 |
| 425 | BACR15BA4AD | | ...RIVET- (SIZE DETERMINE ON INST) | F-AD, AF,AG | 2 |
| 430 | 285T0296-81 | | ...FILLER | F-AD, AF,AG | 1 |
| 435 | 285T0296-54 | | ...BRACKET | F-AD, AF,AG | 1 |
| 440 | 285T0296-55 | | ..BRACKET ASSY | A-E | 1 |
| -440A | 285T0296-75 | | ..BRACKET ASSY | F-AD, AF,AG | 1 |
| 445 | BACR15BA3AD | | ...RIVET- (SIZE DETERMINE ON INST) | A-AD, AF,AG | 5 |
| 450 | 285T0296-53 | | ...FILLER | A-AD, AF,AG | 1 |

25-71-01

ILLUSTRATED PARTS LIST

01

Page 1080C

Nov 01/02

| FIG. & ITEM | PART NO. | AIRLINE PART NUMBER | NOMENCLATURE 1234567 | EFF CODE | QTY PER ASSY |
|-------------|-------------|---------------------|--|----------------|--------------|
| 01-455 | 285T0296-76 | | ...SPACER | F-AD, AF,AG | 1 |
| 460 | 285T0296-29 | | ...BRACKET | A-AD, AF,AG | 1 |
| 465 | 285T0296-52 | | ..DOOR ASSY | A-D | 1 |
| -465A | 285T0296-68 | | ..DOOR ASSY | E | 1 |
| -465B | 285T0296-72 | | ..DOOR ASSY | F-AD, AF,AG | 1 |
| 470 | 2600LW | | ...WASHER- (V71286) (SPEC BACW10X4) (OPT 1127700 (V60119)) | A-AD, AF,AG | 4 |
| 475 | BACS21Y1R | | ...STUD ASSY | A-AD, AF,AG | 4 |
| 480 | BACR15BA3AD | | ...RIVET- (SIZE DETERMINE ON INST) | E-AD, AF,AG | 4 |
| 485 | BACR15BB3AD | | ...RIVET- (SIZE DETERMINE ON INST) | E-AD, AF,AG | 16 |
| 490 | 285T0296-70 | | ...RETAINER | E | 4 |
| -490A | 285T0296-74 | | ...RETAINER | F-AD, AF,AG | 4 |
| 495 | 285T0296-40 | | ...SEAL | A-D | 1 |
| -495A | 285T0296-71 | | ...SEAL | E-AD, AF,AG | 1 |
| 500 | 285T0296-41 | | ...SEAL | A-AD, AF,AG | 3 |
| 505 | 285T0296-42 | | ...SEAL | A-AD, AF,AG | 2 |
| 510 | 285T0296-73 | | ...BRACKET | F-AD, AF,AG | 4 |
| 510A | 285T0296-69 | | ...BRACKET | E | 4 |
| 515 | 285T0296-8 | | ...DOOR | A-AD, AF,AG | 1 |
| 520 | BACR15CE5D | | ..RIVET- (SIZE DETERMINE ON INST) | A-AD, AF,AG | 9 |

25-71-01

ILLUSTRATED PARTS LIST

01 Page 1080D

Nov 01/02


BOEING
 COMPONENT
 MAINTENANCE MANUAL

| FIG. & ITEM | PART NO. | AIRLINE PART NUMBER | NOMENCLATURE 1234567 | EFF CODE | QTY PER ASSY |
|-------------|----------------|---------------------|--------------------------------------|-----------------------|--------------|
| 01-525 | BACR15BB5AD | | ..RIVET- (SIZE DETERMINE ON INST) | A-AD, AF,AG | 9 |
| 530 | 285T0296-77 | | ..HINGE ASSY | F-AD, AF,AG | 1 |
| -530A | 285T0296-110 | | ..HINGE ASSY | A-E | 1 |
| 535 | MS20253P2-1950 | | ...PIN | A-AD, AF,AG | 1 |
| 540 | 285T0296-83 | | ...HINGE-HALF | F-AD, AF,AG | 1 |
| -540A | 285T0296-109 | | ...HINGE-HALF | A-E | 1 |
| 545 | 285T0296-84 | | ...HINGE-HALF | A-AD, AF,AG | 1 |
| 550 | 285T0296-28 | | ..HINGE | A-G | 1 |
| 555 | 285T0296-78 | | ..SPACER | F-AD, AF,AG | AR |
| -555A | 285T0296-101 | | ..SPACER | A-E | AR |
| 560 | BACR11Y1 | | ..RECEPTACLE | A-AD, AF,AG | 4 |
| 565 | BACR15BB3AD | | ..RIVET- (SIZE DETERMINE ON INST) | A-AD, AF,AG | 8 |
| 570 | BACR15BB5AD | | ..RIVET- (SIZE DETERMINE ON INST) | A-AD, AF,AG | 8 |
| 575 | BACR15BB4AD | | ..RIVET- (SIZE DETERMINE ON INST) | A-AD, AF,AG | 6 |
| 580 | 285T0018-9 | | ..SPACER | A-AD, AF,AG | 4 |
| 585 | 285T0155-3 | | ..SPUD ASSY | A-G | 1 |
| -585A | 285T0155-3 | | ..SPUD ASSY- (OPT ITEM 585B) | H-AD, AF,AG | 1 |
| -585B | 285T0155-8 | | ..SPUD ASSY- (OPT ITEM 585A) | H-AD, AF,AG | 1 |
| 590 | 285T0296-67 | | ..BRACKET | A-G, J-L | 1 |
| -590A | 285T0296-88 | | ..BRACKET | H,M-A, D,AF, AG | 1 |

25-71-01

ILLUSTRATED PARTS LIST

01 Page 1080E

Nov 01/02

| FIG. & ITEM | PART NO. | AIRLINE PART NUMBER | NOMENCLATURE 1234567 | EFF CODE | QTY PER ASSY |
|-------------|---------------|---------------------|--|----------------|--------------|
| 01-595 | 217T2113-1 | | ..INLET ASSY | A-AD, AF,AG | 1 |
| 600 | BACR15BB4 | | ...RIVET- (SIZE DETERMINE ON INST) | A-AD, AF,AG | 2 |
| 605 | 217T1436-1 | | ...RETAINER | A-AD, AF,AG | 1 |
| 607 | BAC27TEC0160 | |MARKER- TEST PORT | A-AD, AF,AG | 1 |
| 610 | 217T1435-2 | | ...PLUG | A-AD, AF,AG | 1 |
| 615 | NAS42DD4-4 | | ...SPACER | A-AD, AF,AG | 1 |
| 620 | NAS1801-04-5 | | ..SCREW | A-AD, AF,AG | 4 |
| 625 | H10-04BAC | | ..NUT- (V15653) (SPEC BACN10JC04) (OPT NS202101-40 (V80539)) (OPT RMLH9075-40W (V72962)) (OPT VN303A40 (V92215)) (OPT 96-40 (V80539)) (OPT BRH10A04 (V52828)) (OPT T6S440J (V11815)) | A-AD, AF,AG | 4 |
| 630 | 285T0296-65 | | ..COVER-PLATE | A-AD, AF,AG | 1 |
| 635 | NAS1801-06-5 | | ..SCREW | A-AD, AF,AG | 8 |
| 640 | NAS1149FN632P | | ..WASHER | A-AD, AF,AG | 8 |

25-71-01

 ILLUSTRATED PARTS LIST
 01 Page 1080F
 Nov 01/02


BOEING
 COMPONENT
 MAINTENANCE MANUAL

| FIG. & ITEM | PART NO. | AIRLINE PART NUMBER | NOMENCLATURE 1234567 | EFF CODE | QTY PER ASSY |
|-------------|--------------|---------------------|---|----------------|--------------|
| 01-645 | 285T0296-6 | | ..PANEL-REAR | A-AD, AF,AG | 1 |
| 650 | 285T0296-57 | | ..BOX ASSY | A-AD, AF,AG | 1 |
| 655 | BACR15BA3AD | | ...RIVET- (SIZE DETERMINE ON INST) | A-AD, AF,AG | 16 |
| 660 | F5000-06BAC | | ...NUTPLATE- (V15653) (SPEC BACN10JR06F) (OPT NS103203-62 (V80539)) (OPT RMF9201-62 (V72962)) (OPT VN152A1-62 (V92215)) (OPT T8091S632 (V11815)) (OPT BRF200A06 (V52828)) | A-AD, AF,AG | 8 |
| 665 | 285T0296-5 | | ...PANEL | A-AD, AF,AG | 1 |
| 670 | 285T0296-2 | | ...PANEL-SIDE | A-AD, AF,AG | 1 |
| 675 | 285T0296-3 | | ...PANEL-SIDE | A-AD, AF,AG | 1 |
| 680 | 285T0296-66 | | ...PANEL-BOTTOM (OPT ITEM 680A) | A-AD, AF,AG | 1 |
| -680A | 285T0296-82 | | ...PANEL-BOTTOM (OPT ITEM 680) | A-AD, AF,AG | 1 |
| -685 | 286T1078 | | .WIRE BUNDLE ASSY | A-AD, AF,AG | 1 |
| -690 | 286T1080 | | .WIRE BUNDLE ASSY | A-AD, AF,AG | 1 |
| -695 | 286T1114 | | .WIRE BUNDLE ASSY | A-AD, AF,AG | 1 |
| 700 | BAC27TEX2860 | | .DECAL-VINYL | A,C,E ,F | 1 |

25-71-01

 ILLUSTRATED PARTS LIST
 01 Page 1080G
 Nov 01/02

| FIG. & ITEM | PART NO. | AIRLINE PART NUMBER | NOMENCLATURE 1234567 | EFF CODE | QTY PER ASSY |
|--------------|---------------|---------------------|--|----------------|--------------|
| 01- -700A | BAC27TEX2860 | | .DECAL-VINYL (OPT ITEM 705) | H | 1 |
| 705 | BAC27TEX3753 | | .DECAL-VINYL (OPT ITEM 700A) | H | 1 |
| 710 | BAC27TEX2861 | | .DECAL-VINYL | B,D,G ,J | 1 |
| -710A | BAC27TEX2861 | | .DECAL-VINYL (OPT ITEM 715) | M | 1 |
| 715 | BAC27TEX3752 | | .DECAL-VINYL (OPT ITEM 710A) | M | 1 |
| 720 | BAC27TEX1 | | .MARKER-ALUMINUM FOIL | A-AD, AF,AG | 1 |
| 725 | BAC27TEX2005 | | .MARKER-ALUMINUM FOIL P50 ELECTRICAL SYSTEM CARD FILE | A-AD, AF,AG | 1 |
| 730 | BAC27TEX2017 | | .DECAL-VINYL | A-AD, AF,AG | 1 |
| 735 | BAC27TEX0882 | | .MARKER-VINYL, GDX1 (OPT ITEM 760) | A-AD, AF,AG | 1 |
| 740 | BAC27TEX0883 | | .MARKER-VINYL, GDX2 (OPT ITEM 760) | A-AD, AF,AG | 1 |
| 745 | BAC27TEX0884 | | .MARKER-VINYL, GDX3 (OPT ITEM 760) | A-AD, AF,AG | 1 |
| 750 | BAC27TEX0885 | | .MARKER-VINYL, GDX4 (OPT ITEM 760) | A-AD, AF,AG | 1 |
| 755 | BAC27TEX0886 | | .MARKER-VINYL, GDX5 (OPT ITEM 760) | A-AD, AF,AG | 1 |
| 760 | BAC27EEL22704 | | .DECALSET-VINYL, (INCLUDES (DECALS IDENTIFIED ON THE ILLUSTRATION) (OPT ITEMS 735, 740, 745, 750, 755) | A-AD, AF,AG | 1 |
| 765 | BAC27TEX1993 | | .MARKER-VINYL, ATTENTION ELECTROSTATIC GROUND JACK | A-AD, AF,AG | 1 |
| 770 | BAC27TEX3020 | | .DECAL-VINYL, R209 | A-S,V ,Z,AB | 1 |

25-71-01

 ILLUSTRATED PARTS LIST
 01 Page 1080H
 Nov 01/02


BOEING
 COMPONENT
 MAINTENANCE MANUAL

| FIG. & ITEM | PART NO. | AIRLINE PART NUMBER | NOMENCLATURE 1234567 | EFF CODE | QTY PER ASSY |
|-------------|--------------|---------------------|---|------------------------|--------------|
| 01-775 | BAC27TEX3021 | | .DECAL-VINYL, R210 | A-S,V ,Z,AB | 1 |
| 780 | BAC27TEX3007 | | .DECAL-VINYL, R187 | A-S,V ,Z,AB | 1 |
| 785 | BAC27TEX3008 | | .DECAL-VINYL, R188 | A-G, J-L | 1 |
| 790 | BAC27TEX3012 | | .DECAL-VINYL, R192 | A-S,V ,Z,AB | 1 |
| 795 | BAC27TEX3011 | | .DECAL-VINYL, R191 | A-S,V ,Z,AB | 1 |
| 800 | BAC27TEX3010 | | .DECAL-VINYL, R190 | A-G, J-L | 1 |
| 805 | BAC27TEX3009 | | .DECAL-VINYL, R189 | A-S,V ,Z,AB | 1 |
| 810 | BAC27TEX3311 | | .DECALSET-VINYL, (INCLUDES DECALS IDENTIFIED ON THE ILLUSTRATION) | A-AD, AF,AG | 1 |
| 815 | BAC27TEX2951 | | .DECAL-VINYL | A-S, V-AD, AF,AG | 1 |
| 820 | BAC27TEX1316 | | .MARKER-VINYL | A-AD, AF,AG | 1 |
| 825 | BAC27TEX1302 | | .DECAL- BAC STD UNAVAIL REV 253 | A-AD, AF,AG | 1 |
| 830 | BAC27TEX3269 | | .DECAL-VINYL, R243 | A-G, J-L | 1 |
| 835 | BAC27TEX3018 | | .DECAL-VINYL, R207 | A-S,V ,Z,AB | 1 |
| 840 | BAC27TEX3019 | | .DECAL-VINYL, R208 | A-S,V ,Z,AB | 1 |
| 845 | BAC27TEX2827 | | .DECAL-VINYL, R112 | A-S,V ,Z,AB | 1 |
| 850 | BAC27TEX3546 | | .DECAL-VINYL, R574 | L-P,R ,S,U, V,Z | 1 |
| 855 | BAC27TEX3547 | | .DECAL-VINYL, R575 | L-P,R ,S,U, V,Z | 1 |
| 860 | BAC27TEX2828 | | .DECAL-VINYL, R113 | A-S,V ,Z,AB | 1 |

25-71-01

ILLUSTRATED PARTS LIST

01 Page 1080I

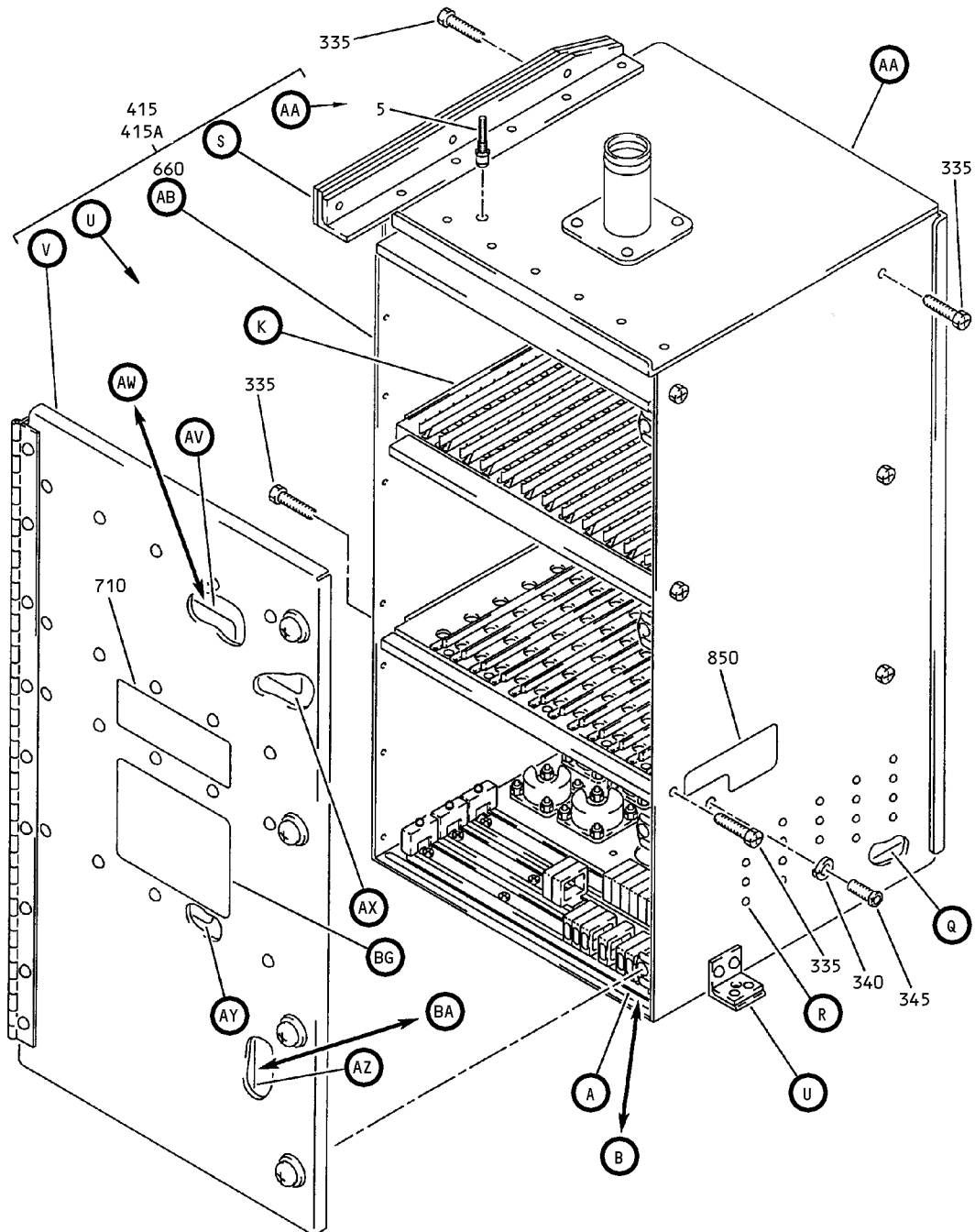
Nov 01/02

| FIG. & ITEM | PART NO. | AIRLINE PART NUMBER | NOMENCLATURE 1234567 | EFF CODE | QTY PER ASSY |
|-------------|--------------|---------------------|-------------------------|----------------------|--------------|
| 01-865 | BAC27TEX3370 | | .MARKER-VINYL | F-AD, AF,AG | 1 |
| 870 | BAC27TEX3553 | | .DECAL-VINYL | F,G,K | 1 |
| 875 | BAC27TEX3637 | | .DECAL-VINYL | L | 1 |
| 880 | BAC27TEX3752 | | .DECAL-VINYL | AA,AG | 1 |
| 885 | BAC27TEX3753 | | .DECAL-VINYL | P,S,A B | 1 |
| 890 | BAC27TEX4041 | | .DECAL-VINYL | U,W,Y | 1 |
| 895 | BAC27TEX4322 | | .DECAL-VINYL | N,R,T ,V | 1 |
| 900 | BAC27TEX4422 | | .DECAL-VINYL | AF | 1 |
| 905 | BAC27TEX4148 | | .DECAL-VINYL | Q,X | 1 |
| 910 | BAC27TEX4770 | | .DECAL-VINYL | AC | 1 |
| 915 | BAC27TEX4777 | | .DECAL-VINYL | AD | 1 |
| 920 | BAC27TEX4408 | | .DECAL-VINYL | X,Y,A A,AD, AG | 1 |
| 925 | BAC27TEX4412 | | .DECAL-VINYL | P | 1 |
| 930 | BAC27TEX4413 | | .DECAL-VINYL | N,R,V ,Z | 1 |
| 935 | BAC27TEX4414 | | .DECAL-VINYL | U | 1 |
| 940 | BAC27TEX4561 | | .DECAL-VINYL | T,W,A C,AF | 1 |
| 945 | BAC27TEX4626 | | .DECAL-VINYL | AB | 1 |

- Item Not Illustrated

25-71-01

ILLUSTRATED PARTS LIST
 01 Page 1080J
 Nov 01/02

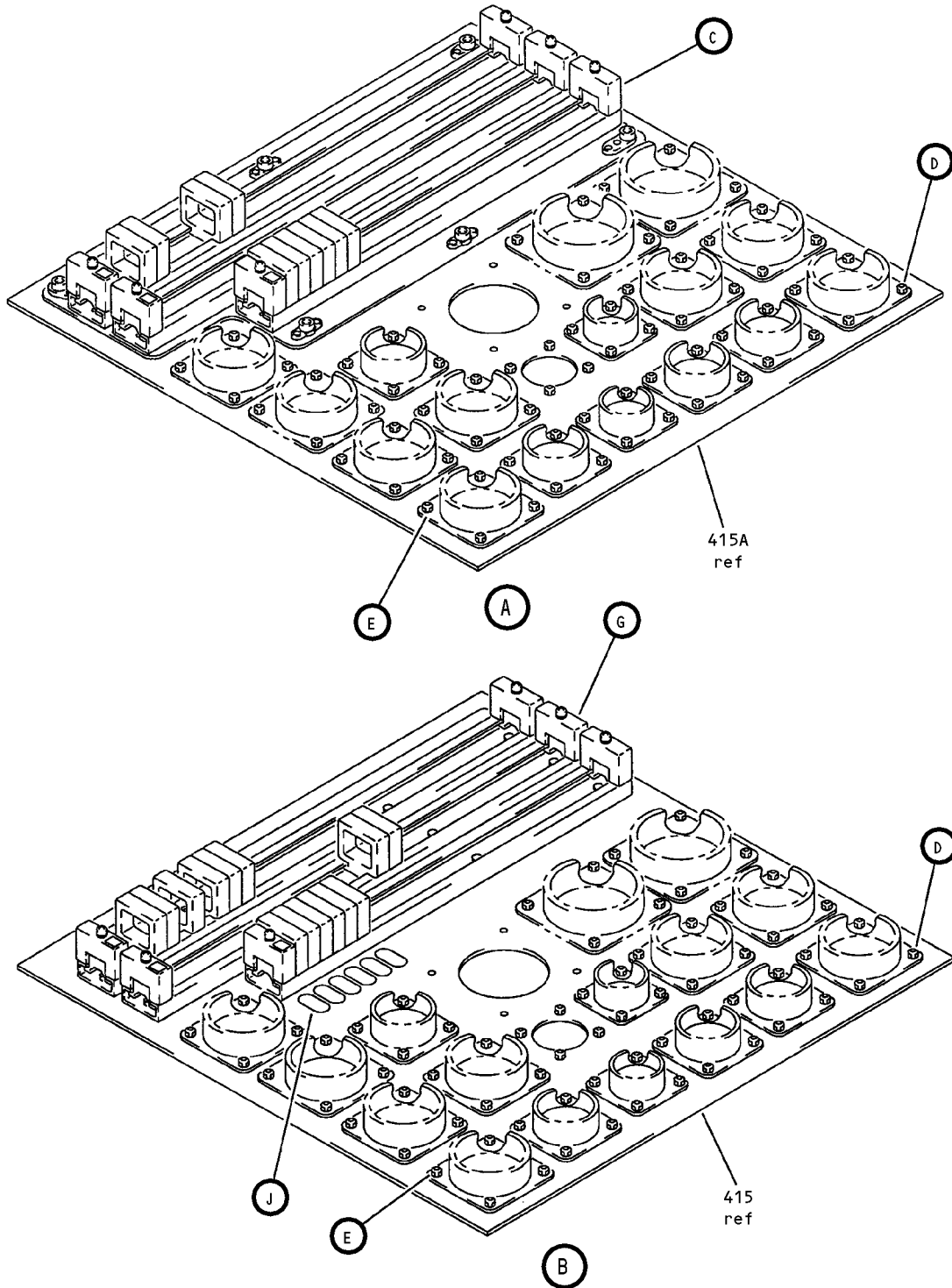


Electrical System Card File (ESCF) Assembly
Figure 2 (Sheet 1)

25-71-01

ILLUSTRATED PARTS LIST
01 Page 1080L
Nov 01/02

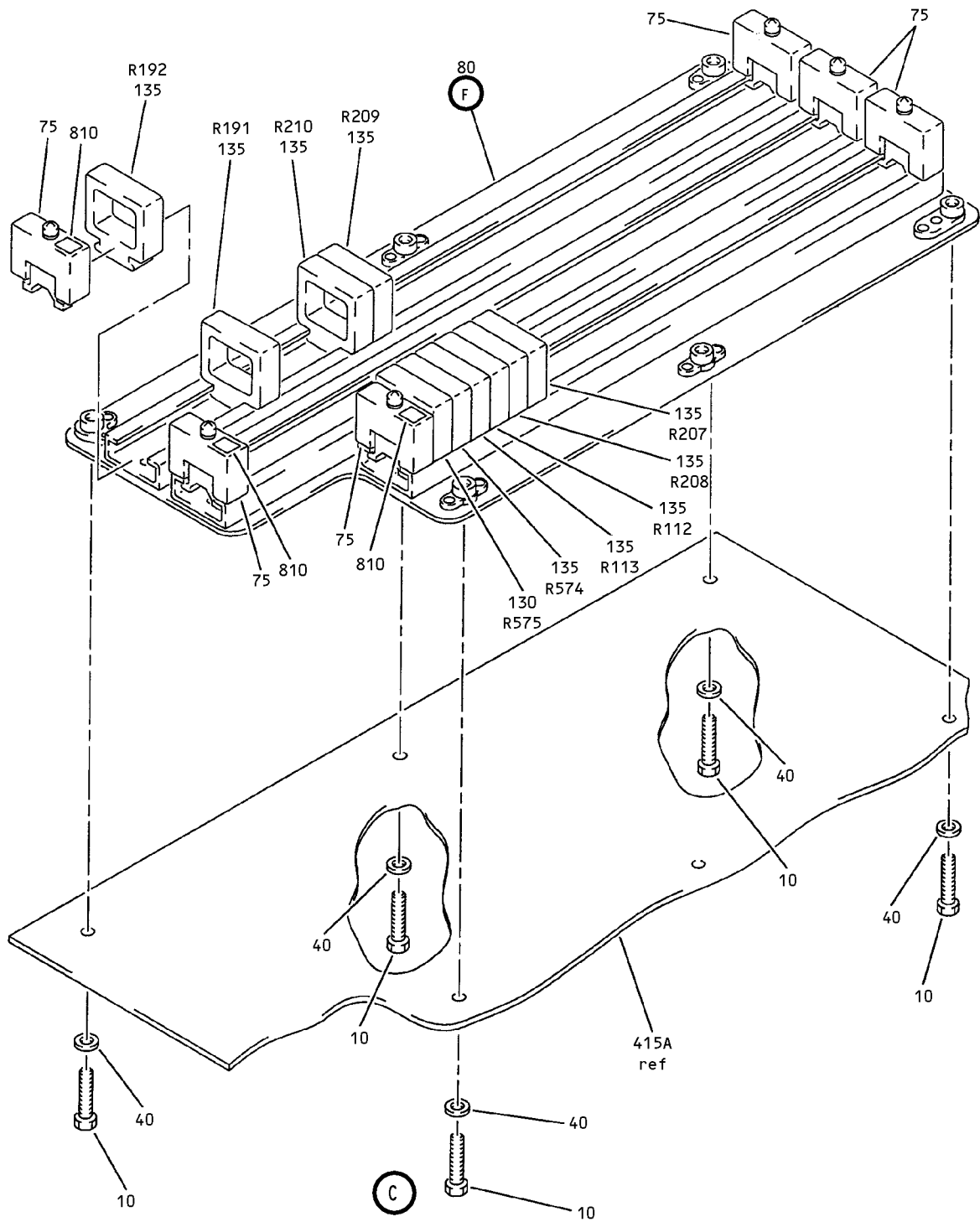
#97851



Electrical System Card File (ESCF) Assembly
Figure 2 (Sheet 2)

25-71-01

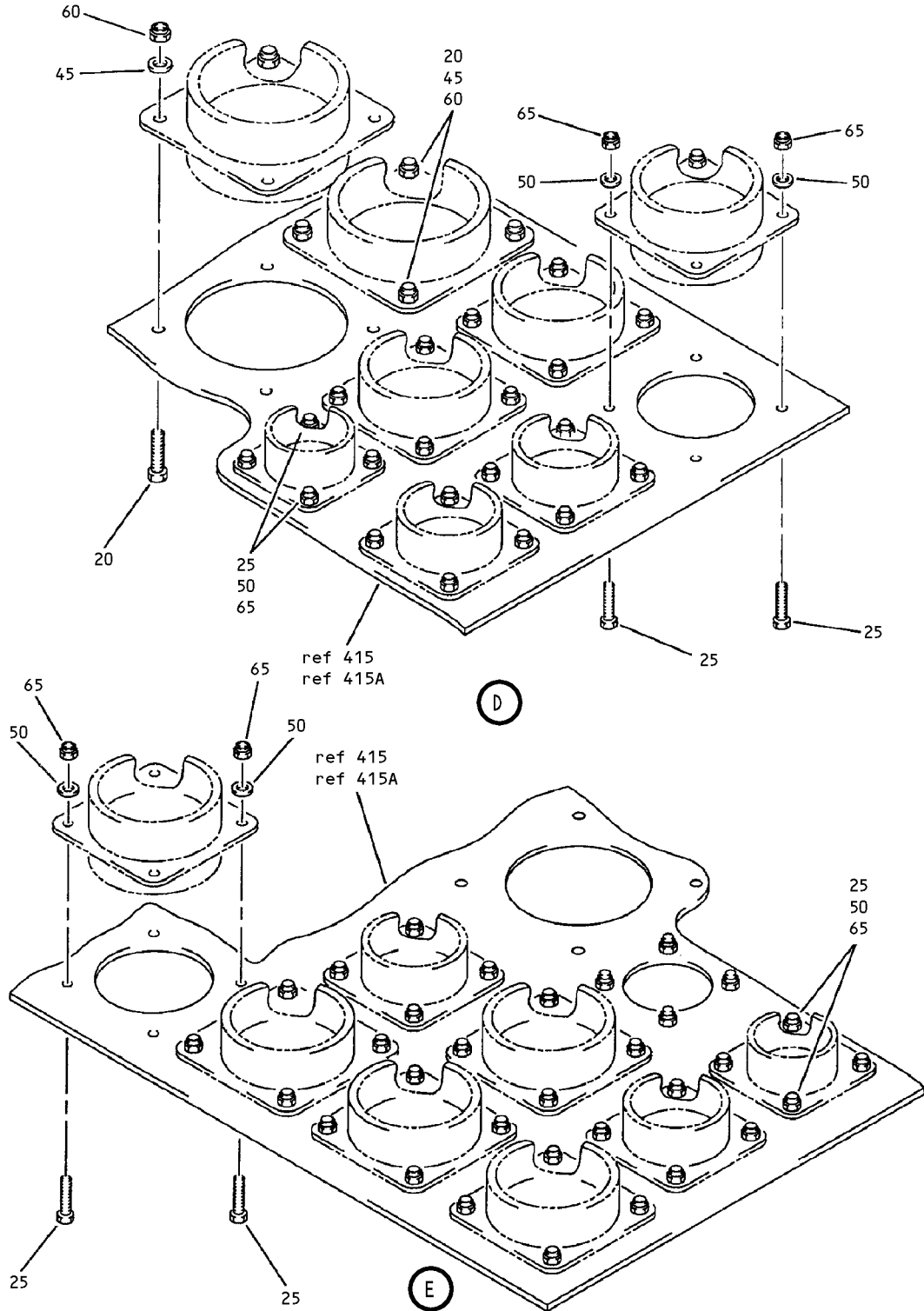
ILLUSTRATED PARTS LIST
01 Page 1080M
Nov 01/02



Electrical System Card File (ESCF) Assembly
 Figure 2 (Sheet 3)

25-71-01

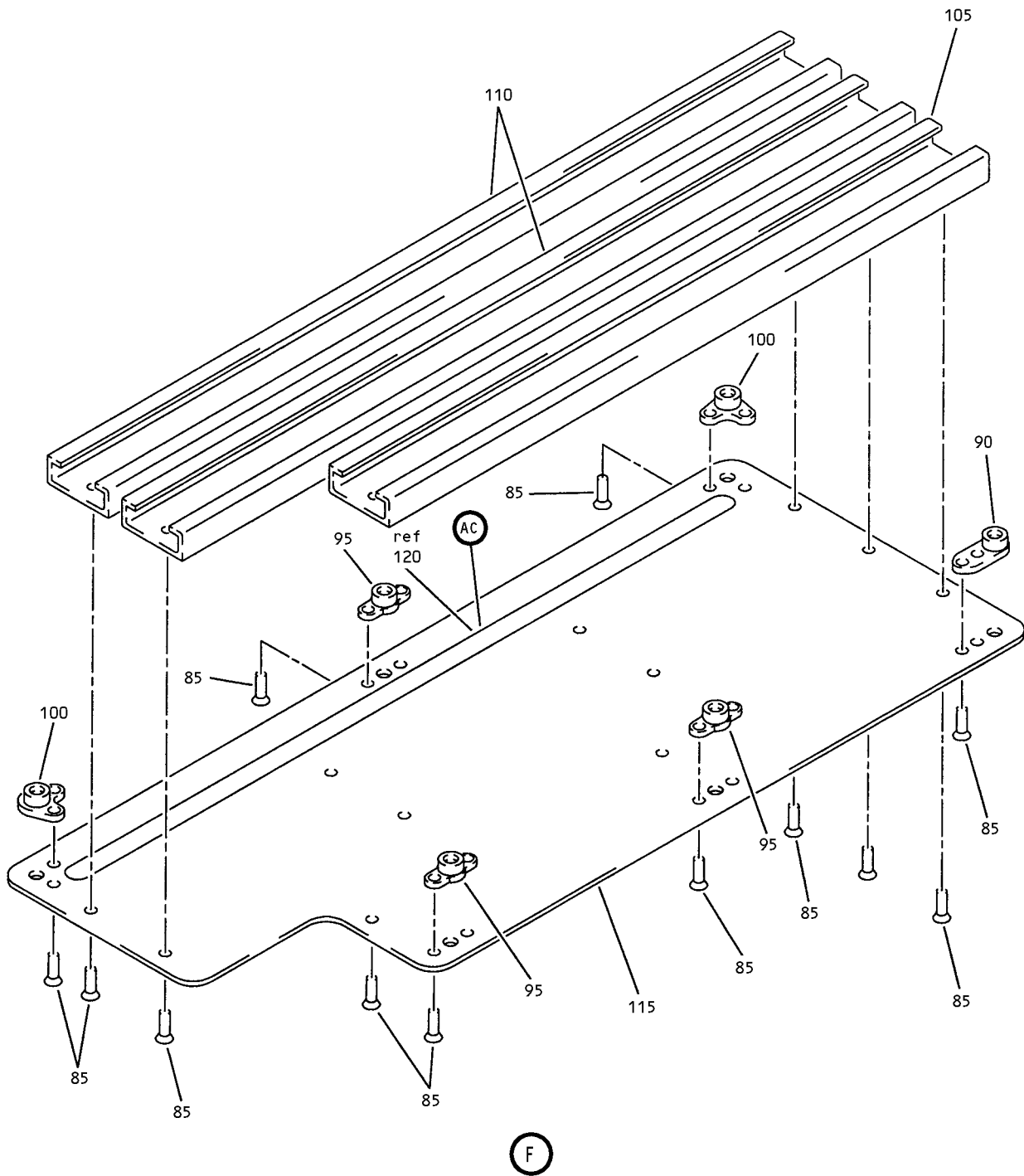
ILLUSTRATED PARTS LIST
 01 Page 1080N
 Nov 01/02



Electrical System Card File (ESCF) Assembly
 Figure 2 (Sheet 4)

25-71-01

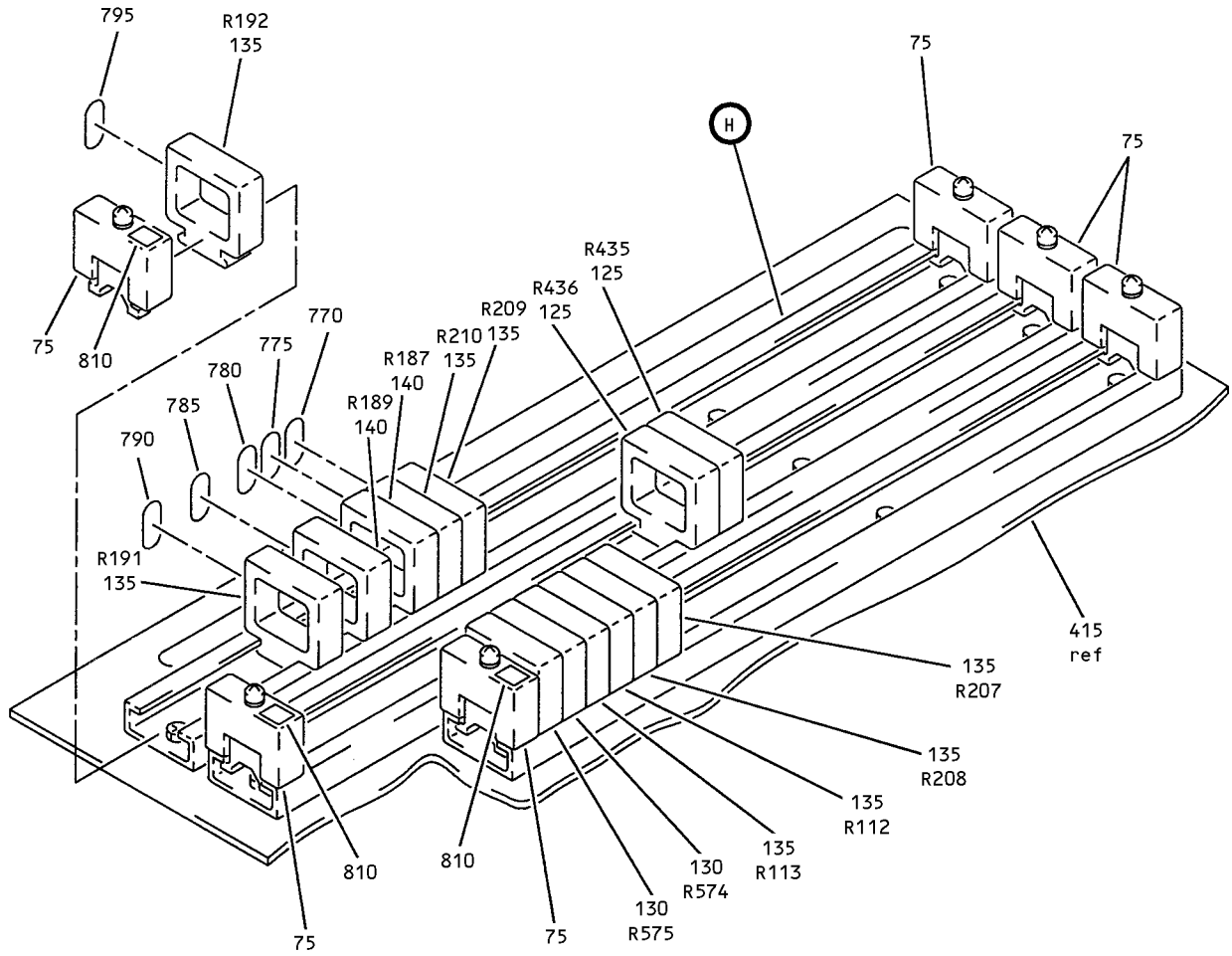
ILLUSTRATED PARTS LIST
 01 Page 10800
 Nov 01/02



Electrical System Card File (ESCF) Assembly
 Figure 2 (Sheet 5)

25-71-01

ILLUSTRATED PARTS LIST
 01 Page 1080P
 Nov 01/02

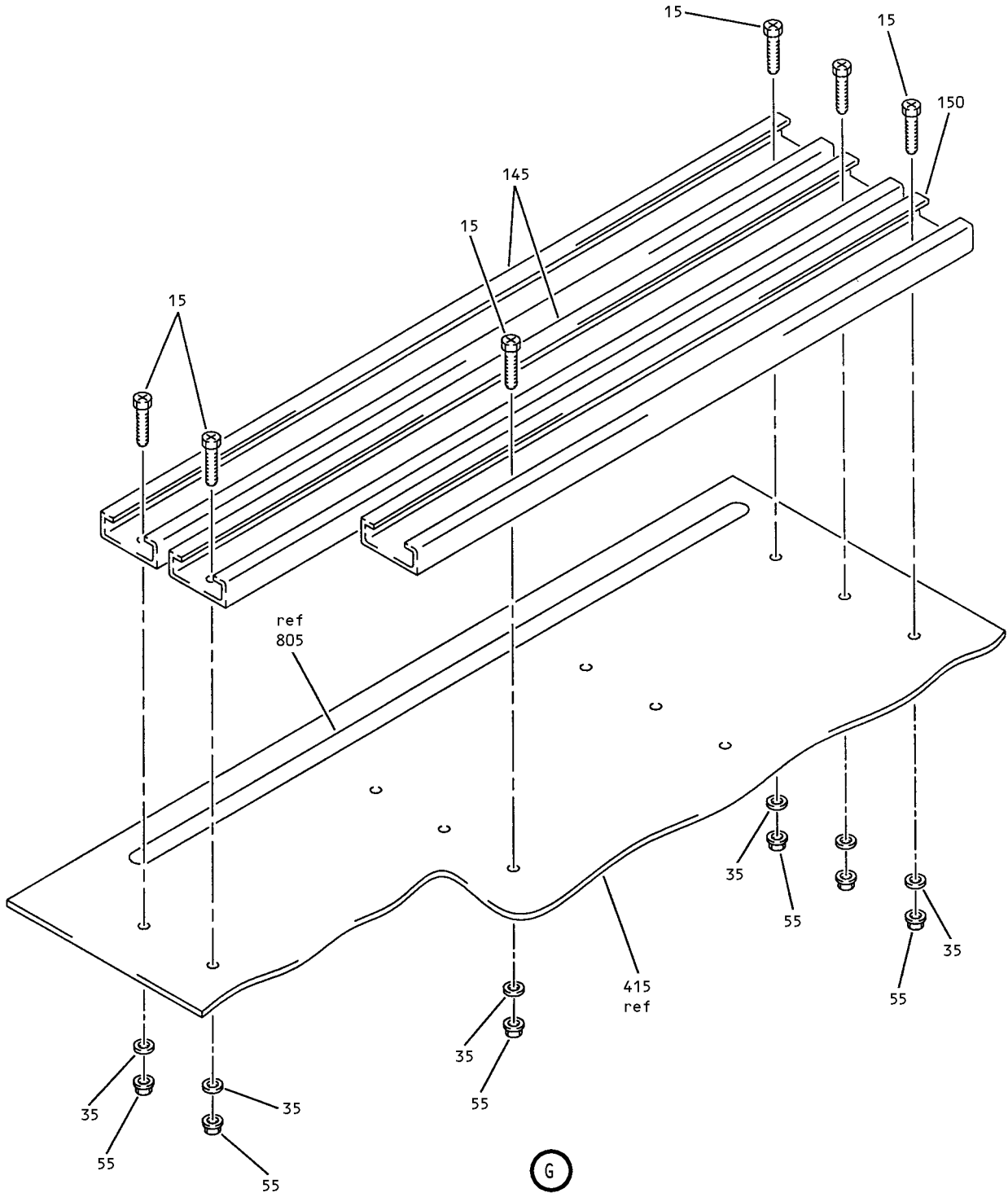


G

Electrical System Card File (ESCF) Assembly
Figure 2 (Sheet 6)

25-71-01

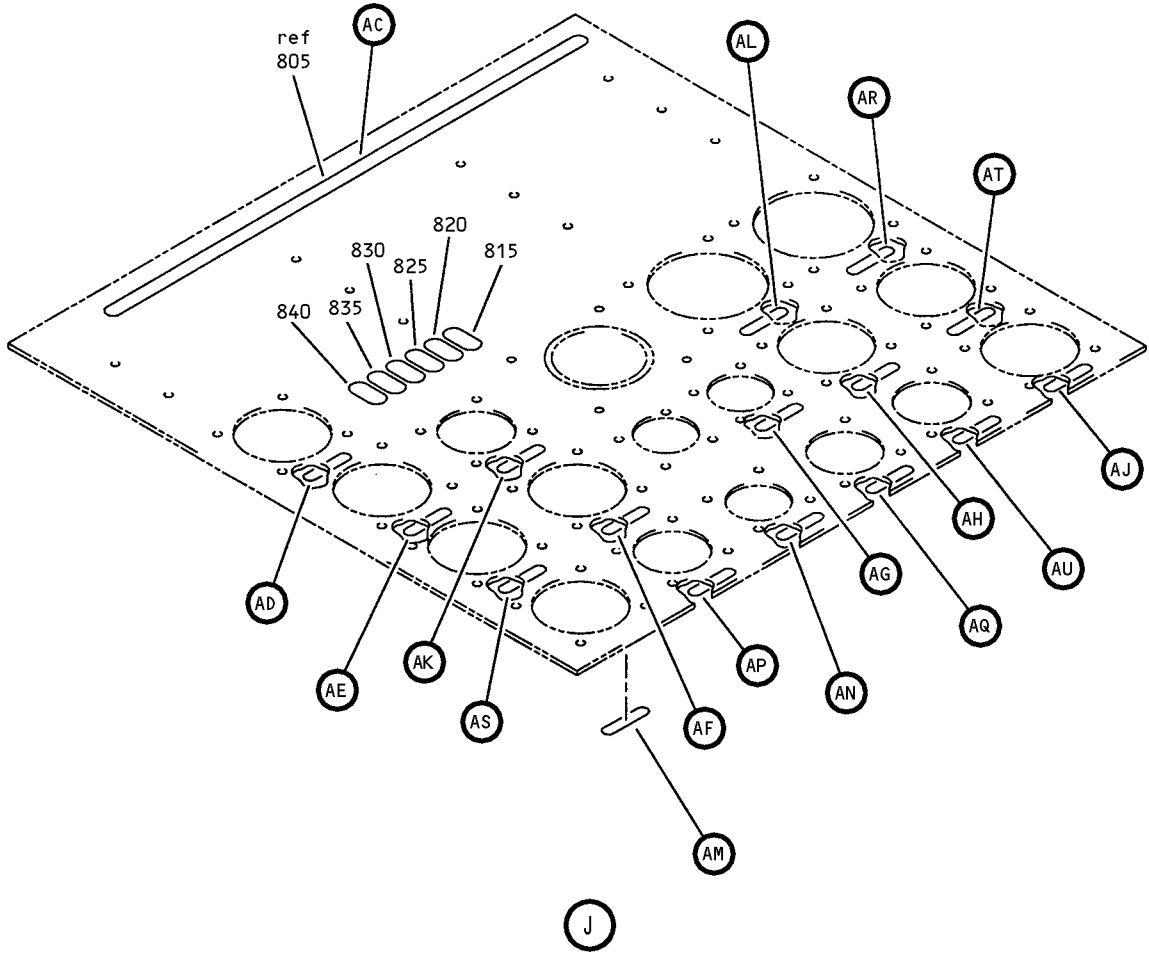
ILLUSTRATED PARTS LIST
01 Page 1080Q
Nov 01/02



Electrical System Card File (ESCF) Assembly
 Figure 2 (Sheet 7)

25-71-01

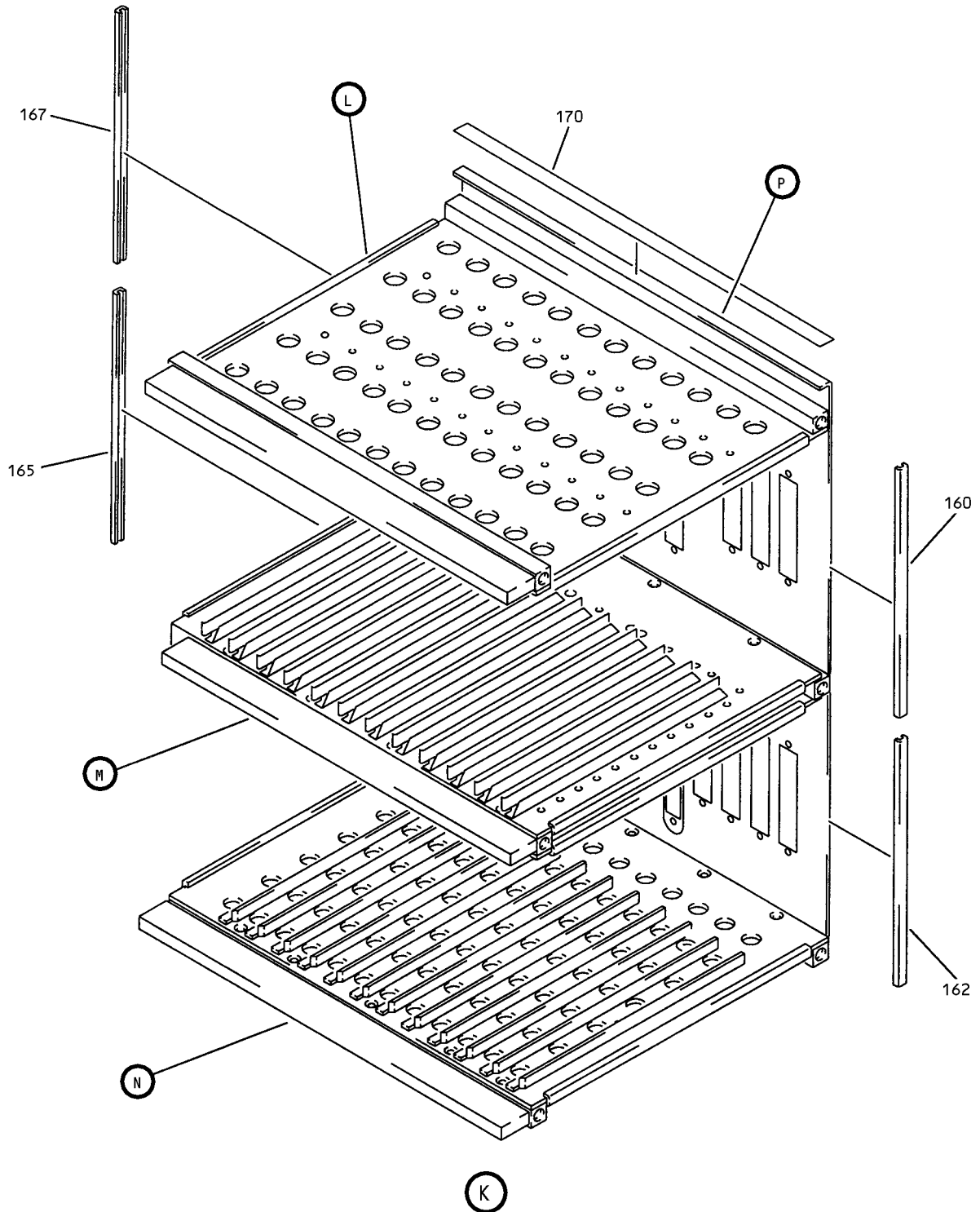
ILLUSTRATED PARTS LIST
 01 Page 1080R
 Nov 01/02



Electrical System Card File (ESCF) Assembly
Figure 2 (Sheet 8)

25-71-01

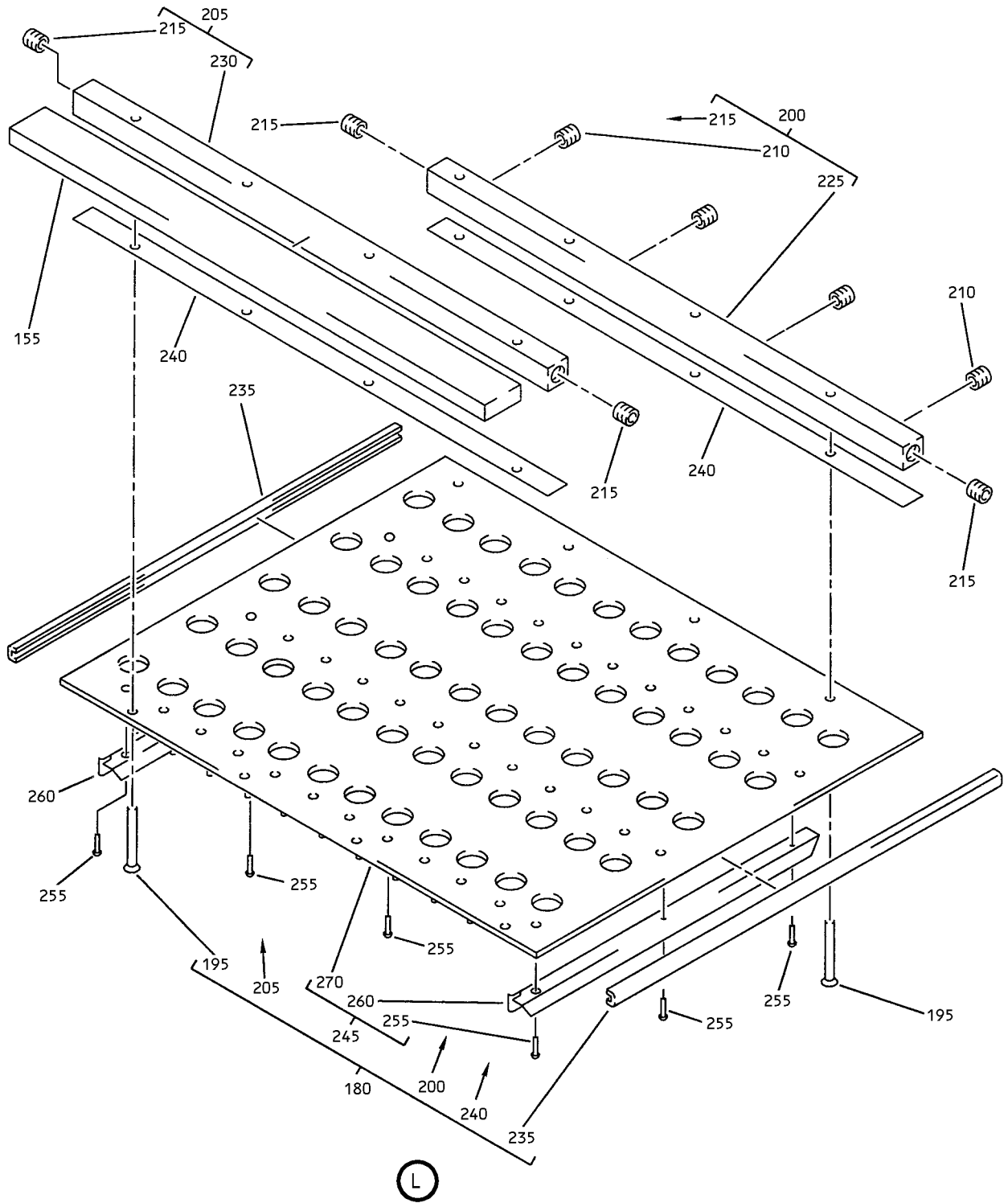
ILLUSTRATED PARTS LIST
01 Page 1080S
Nov 01/02



Electrical System Card File (ESCF) Assembly
Figure 2 (Sheet 9)

25-71-01

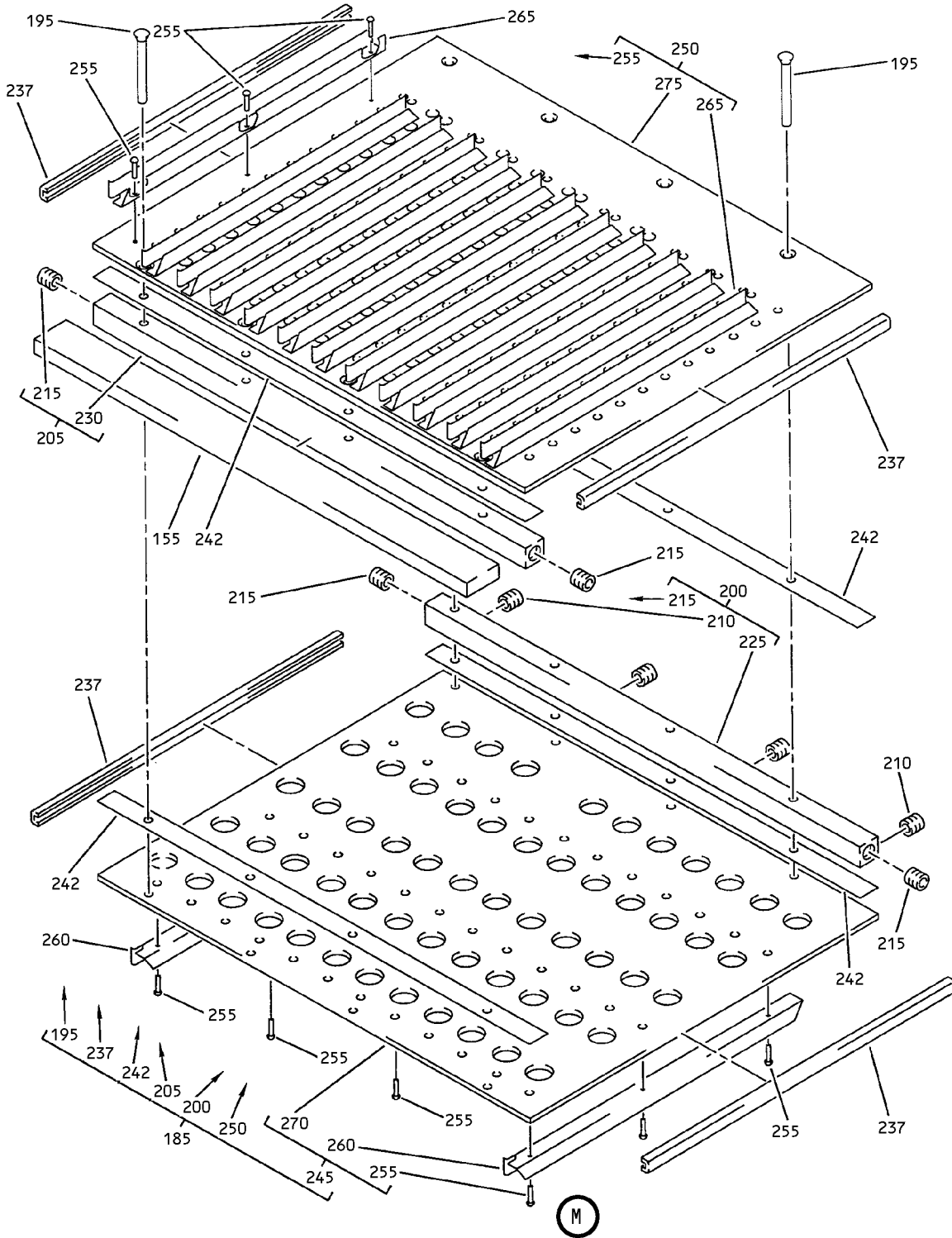
ILLUSTRATED PARTS LIST
01 Page 1080T
Nov 01/02



Electrical System Card File (ESCF) Assembly
Figure 2 (Sheet 10)

25-71-01

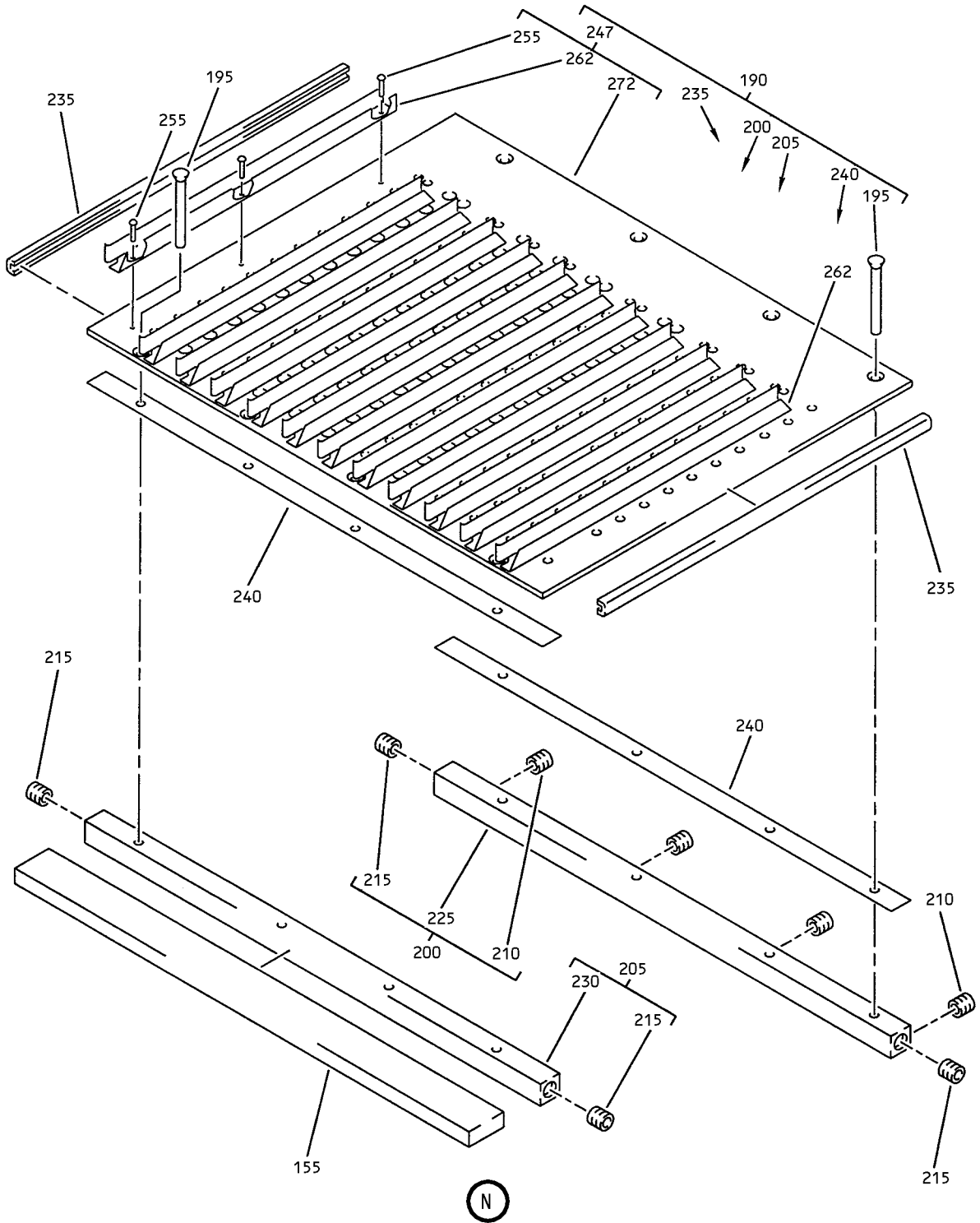
ILLUSTRATED PARTS LIST
01 Page 1080U
Nov 01/02



Electrical System Card File (ESCF) Assembly
 Figure 2 (Sheet 11)

25-71-01

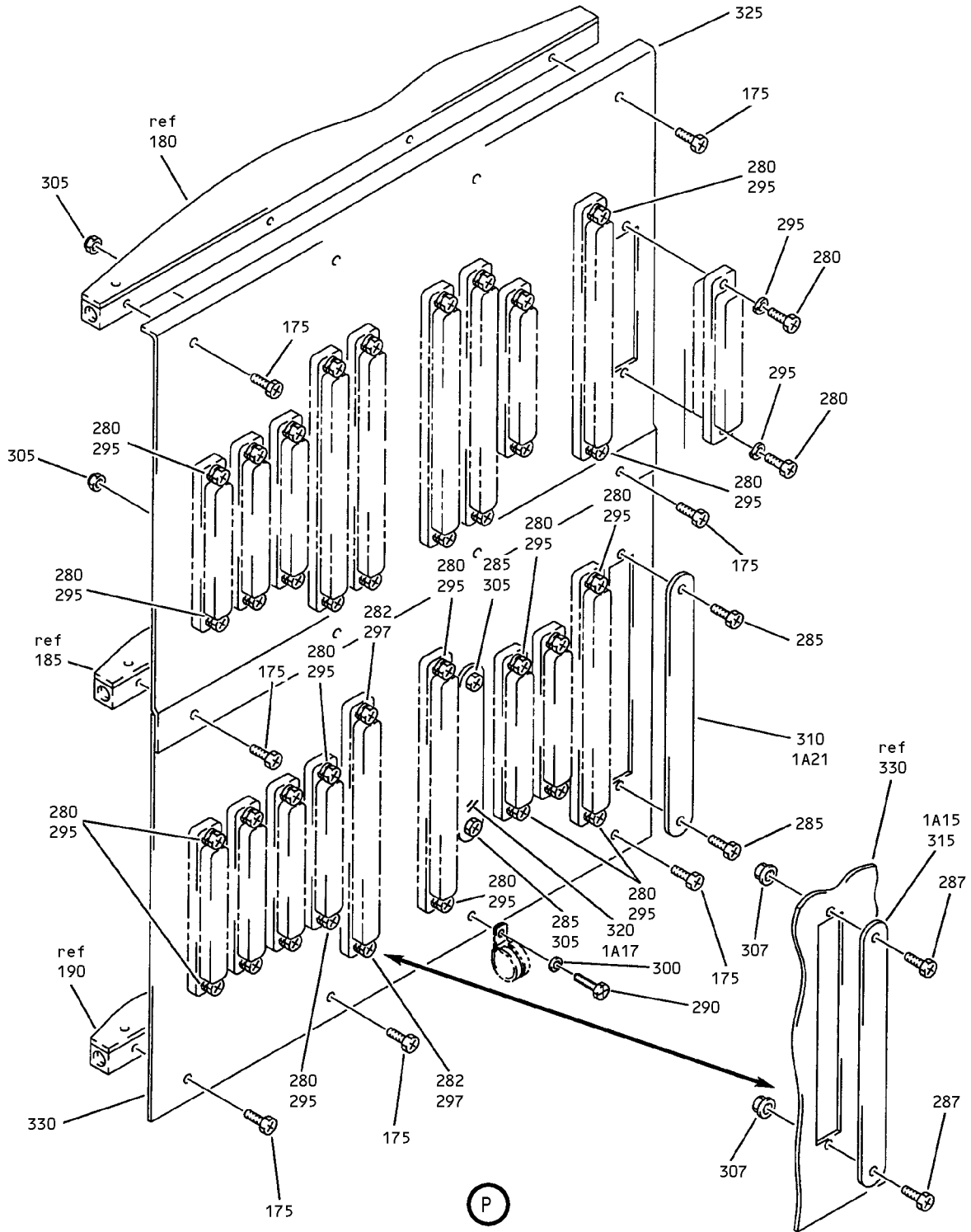
ILLUSTRATED PARTS LIST
 01 Page 1080V
 Nov 01/02



Electrical System Card File (ESCF) Assembly
Figure 2 (Sheet 12)

25-71-01

ILLUSTRATED PARTS LIST
01 Page 1080W
Nov 01/02

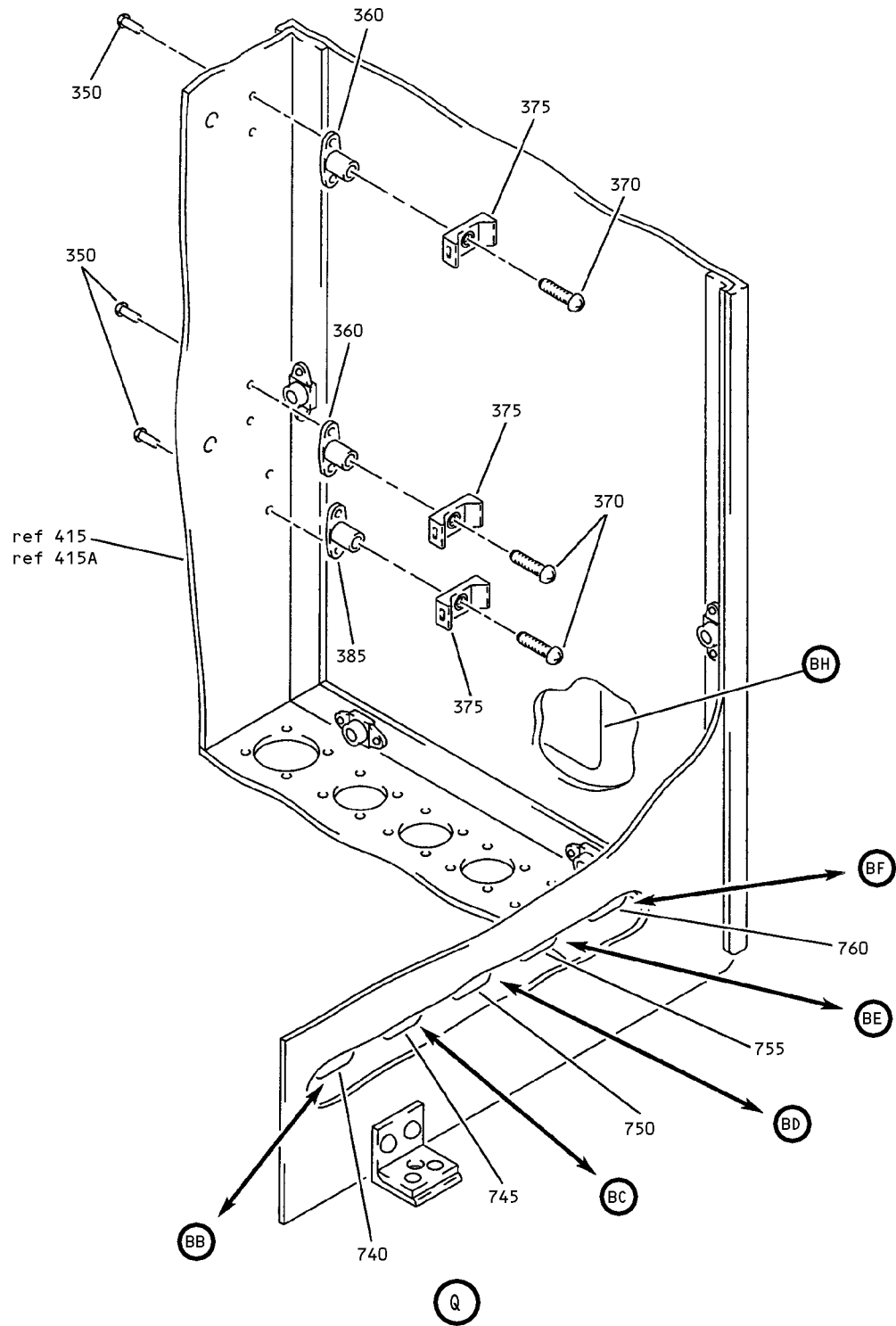


Electrical System Card File (ESCF) Assembly
 Figure 2 (Sheet 13)

25-71-01

ILLUSTRATED PARTS LIST
 01 Page 1080X
 Nov 01/02

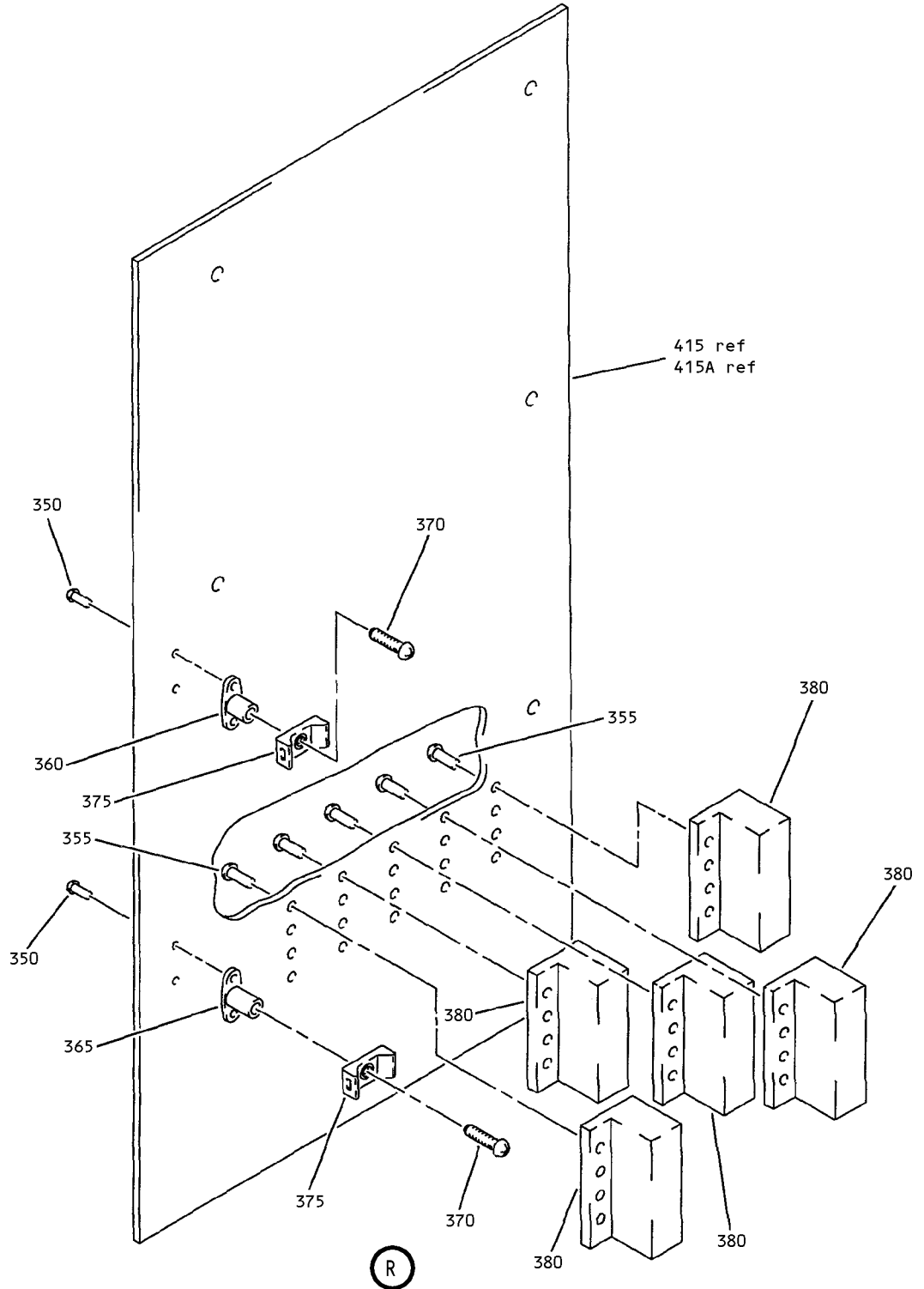
BOEING
COMPONENT
MAINTENANCE MANUAL



Electrical System Card File (ESCF) Assembly
Figure 2 (Sheet 14)

25-71-01

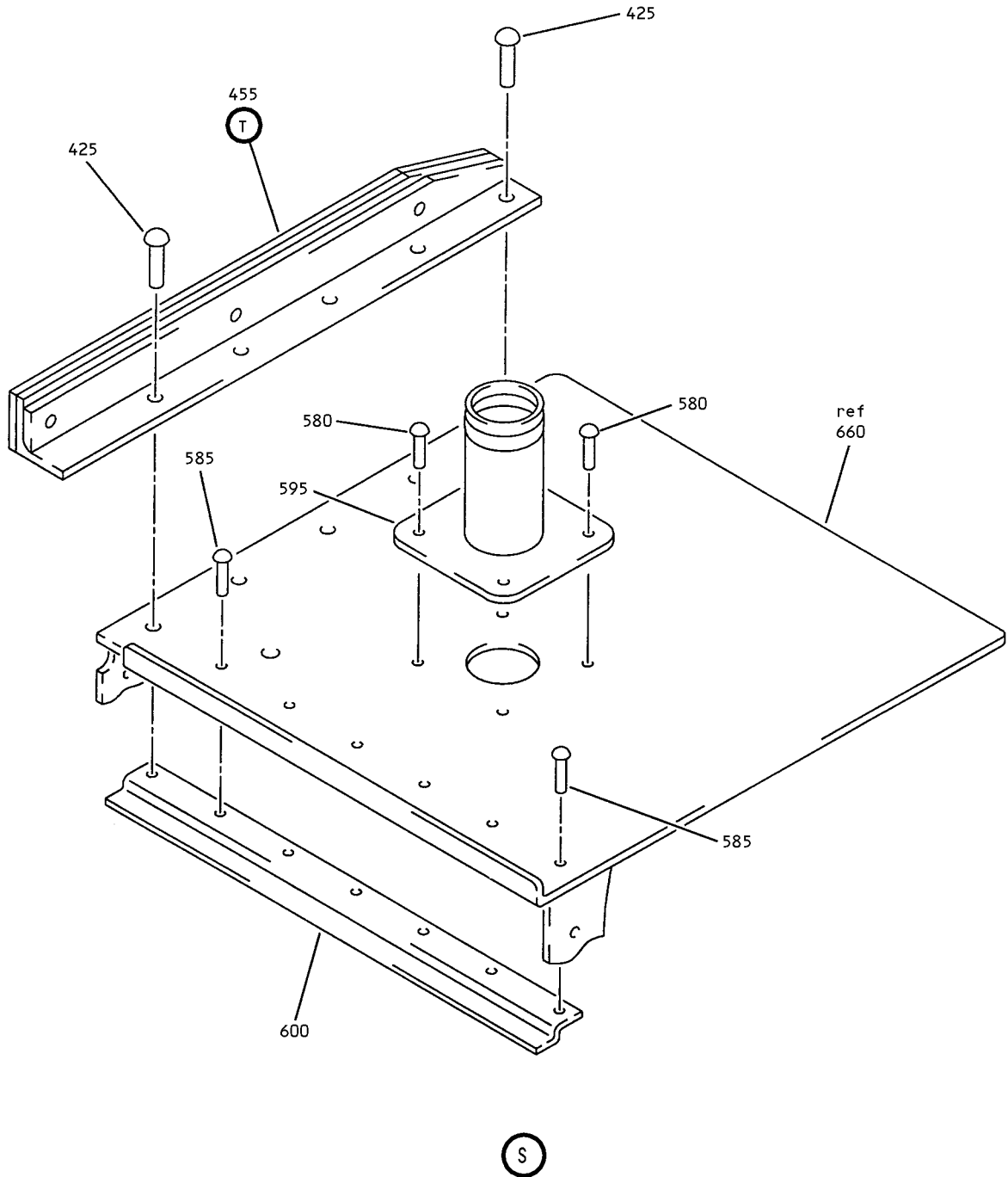
ILLUSTRATED PARTS LIST
01 Page 1080Y
Nov 01/02



Electrical System Card File (ESCF) Assembly
 Figure 2 (Sheet 15)

25-71-01

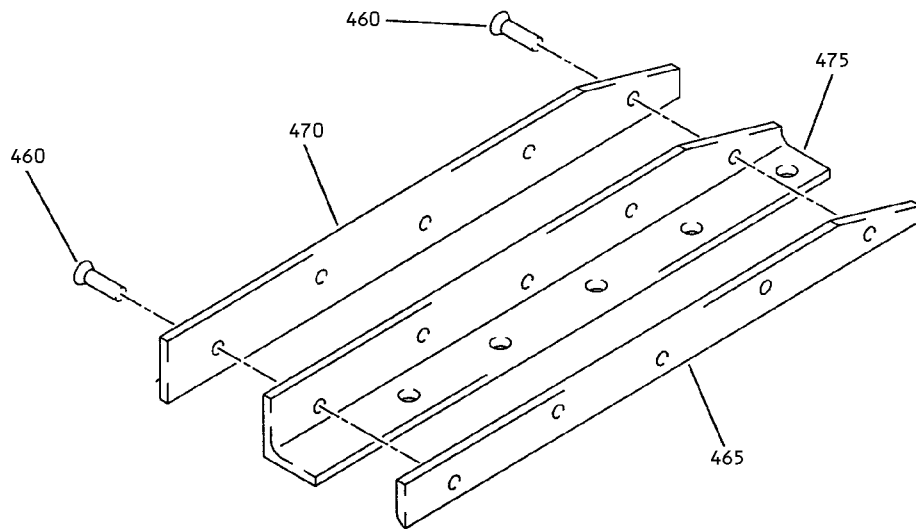
ILLUSTRATED PARTS LIST
 01 Page 1080Z
 Nov 01/02



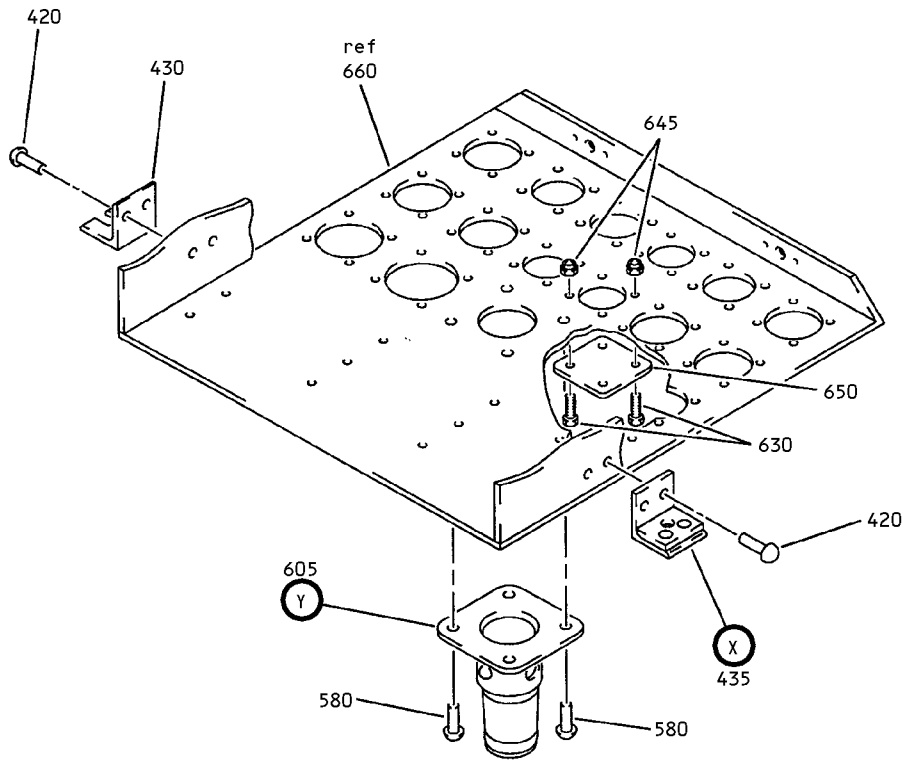
Electrical System Card File (ESCF) Assembly
Figure 2 (Sheet 16)

25-71-01

ILLUSTRATED PARTS LIST
01 Page 1081
Nov 01/02



(T)

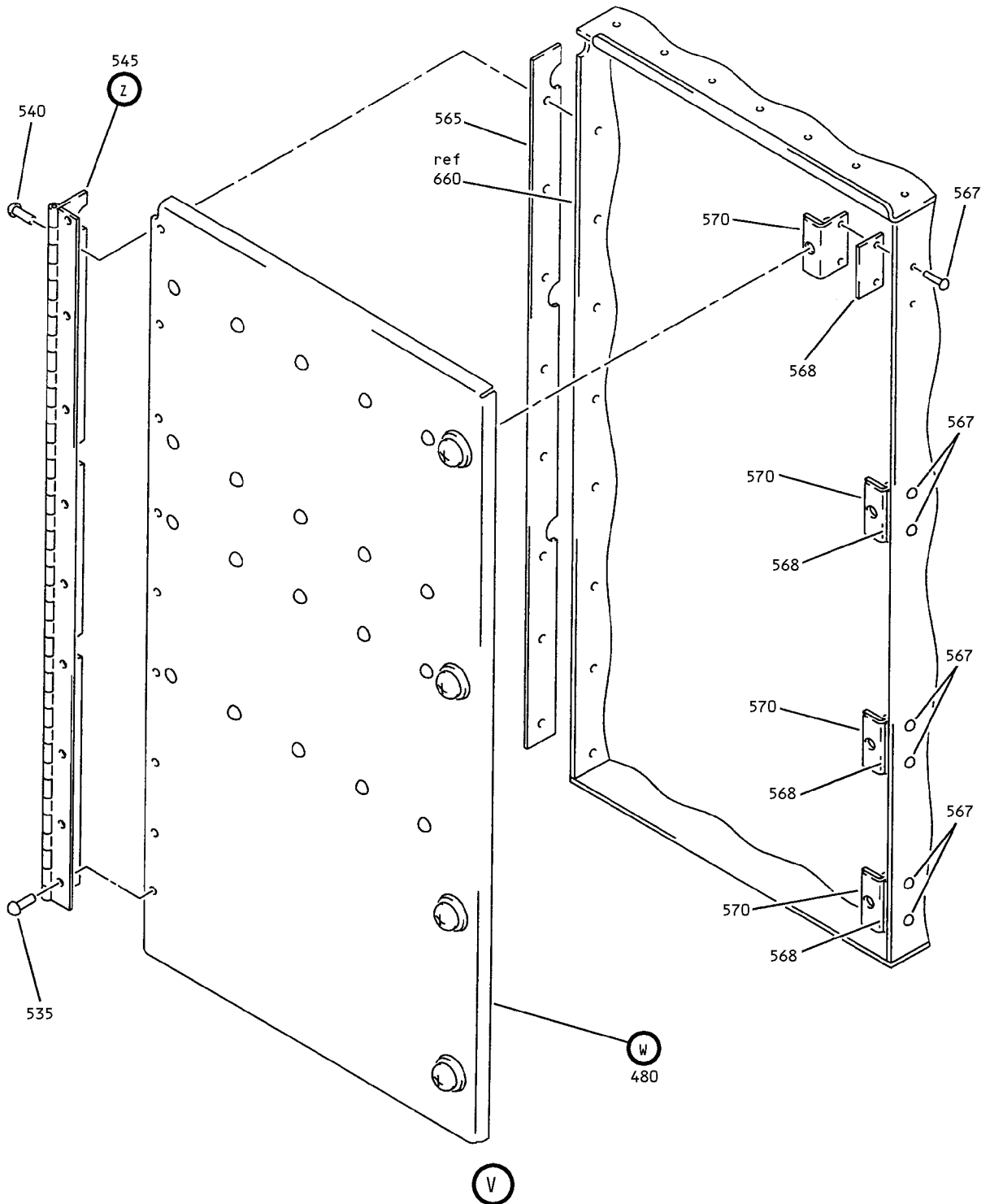


(U)

Electrical System Card File (ESCF) Assembly
 Figure 2 (Sheet 17)

25-71-01

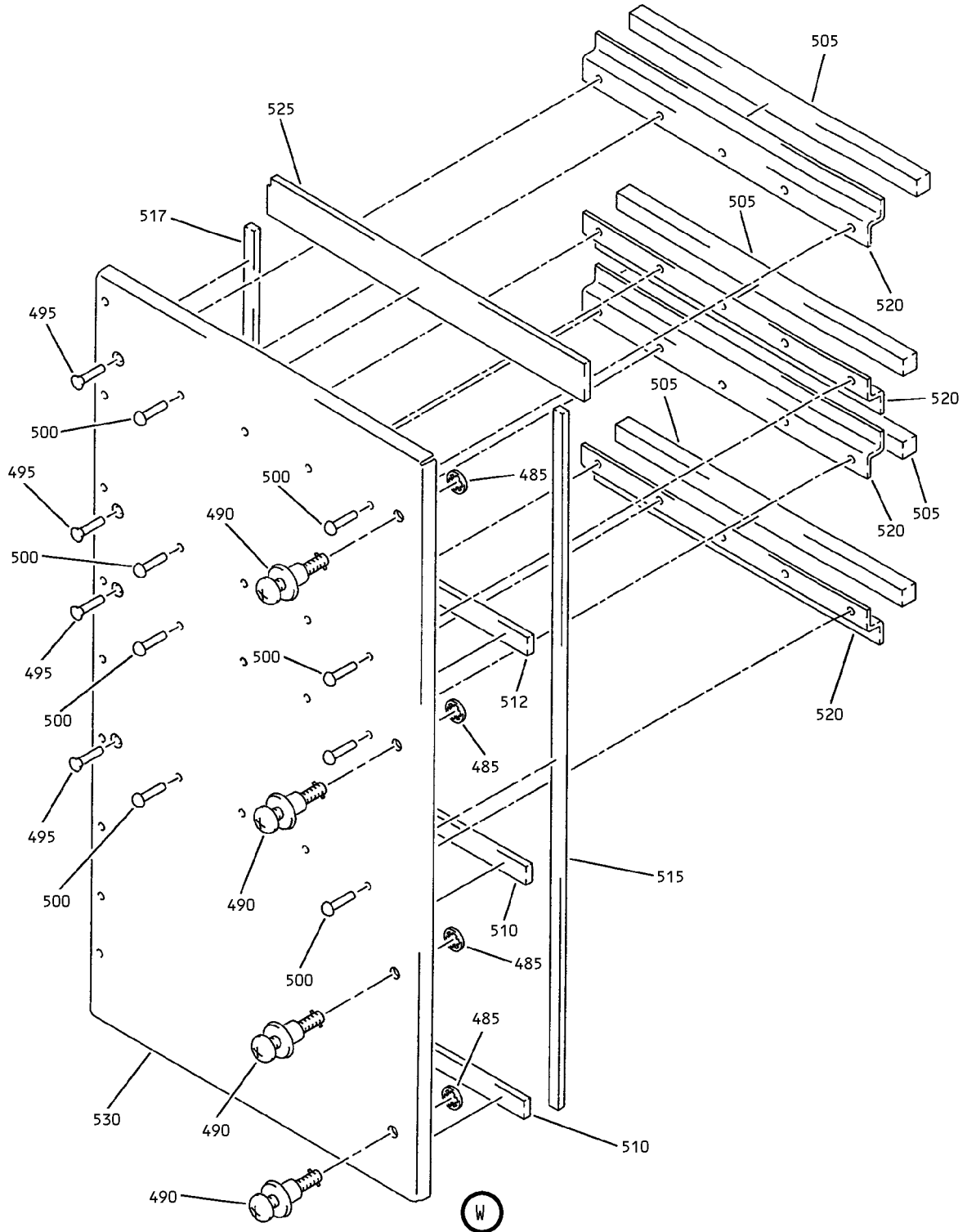
ILLUSTRATED PARTS LIST
 01 Page 1082
 Nov 01/02



Electrical System Card File (ESCF) Assembly
Figure 2 (Sheet 18)

25-71-01

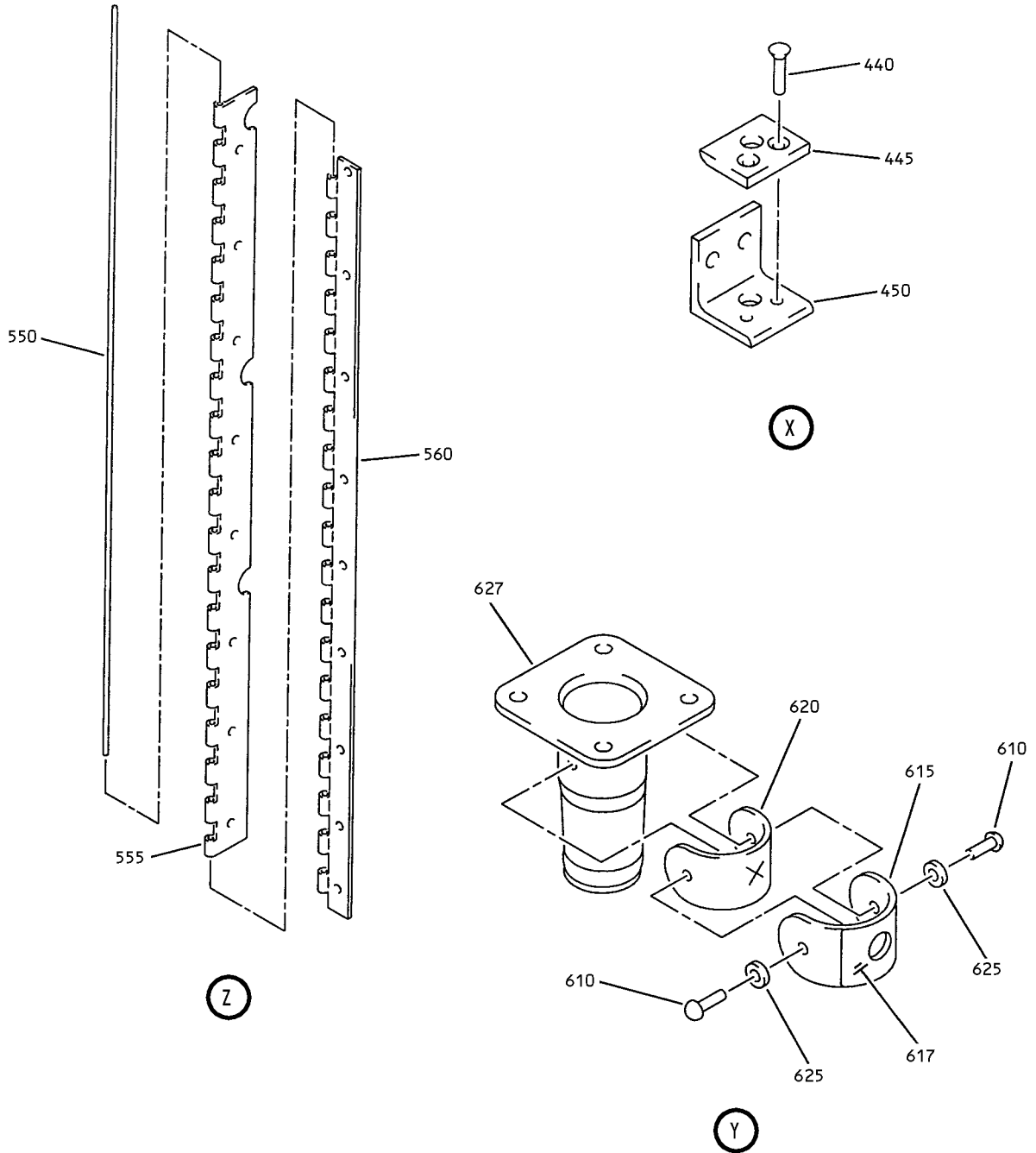
ILLUSTRATED PARTS LIST
01 Page 1082A
Nov 01/02



Electrical System Card File (ESCF) Assembly
Figure 2 (Sheet 19)

25-71-01

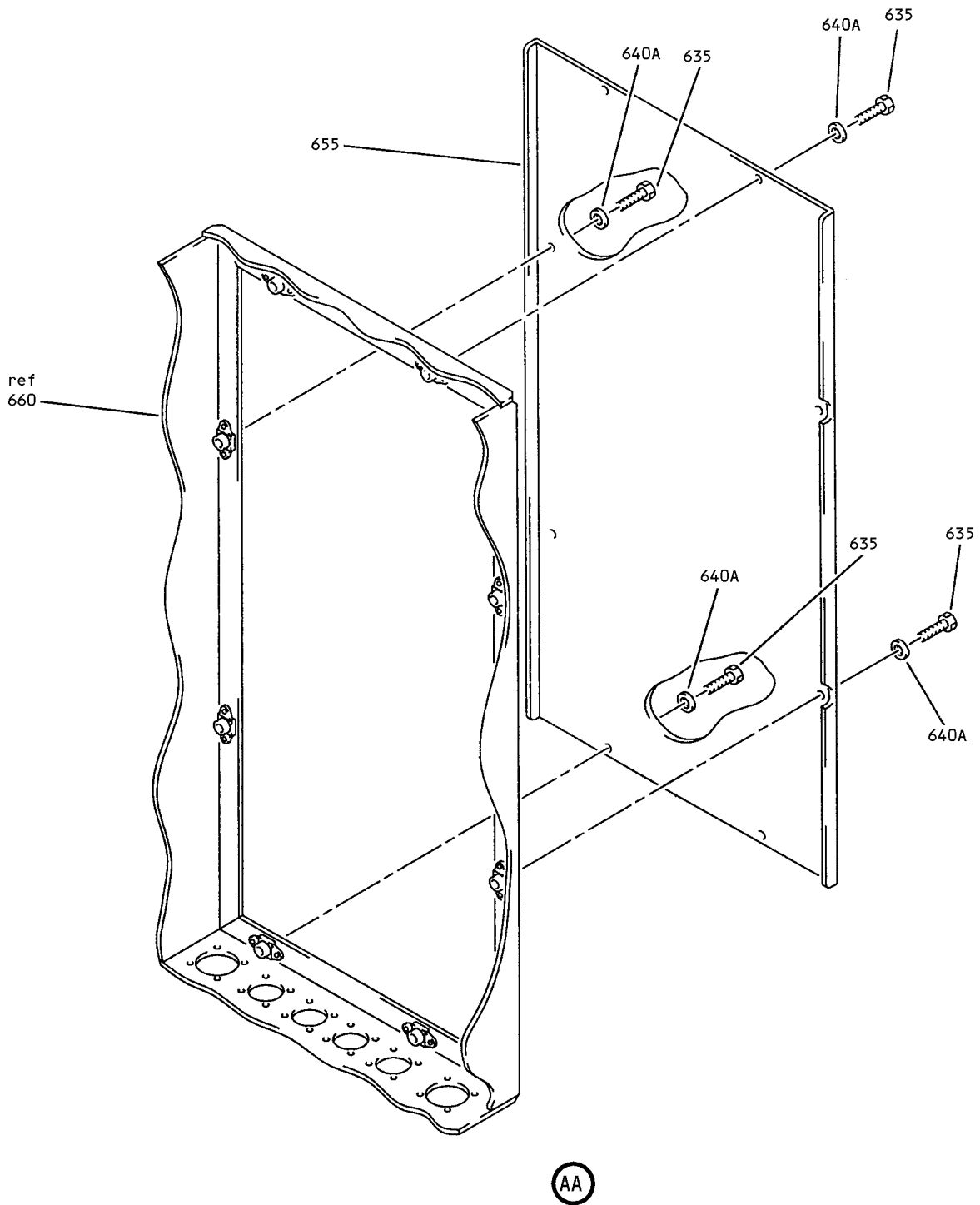
ILLUSTRATED PARTS LIST
01 Page 1082B
Nov 01/02



Electrical System Card File (ESCF) Assembly
Figure 2 (Sheet 20)

25-71-01

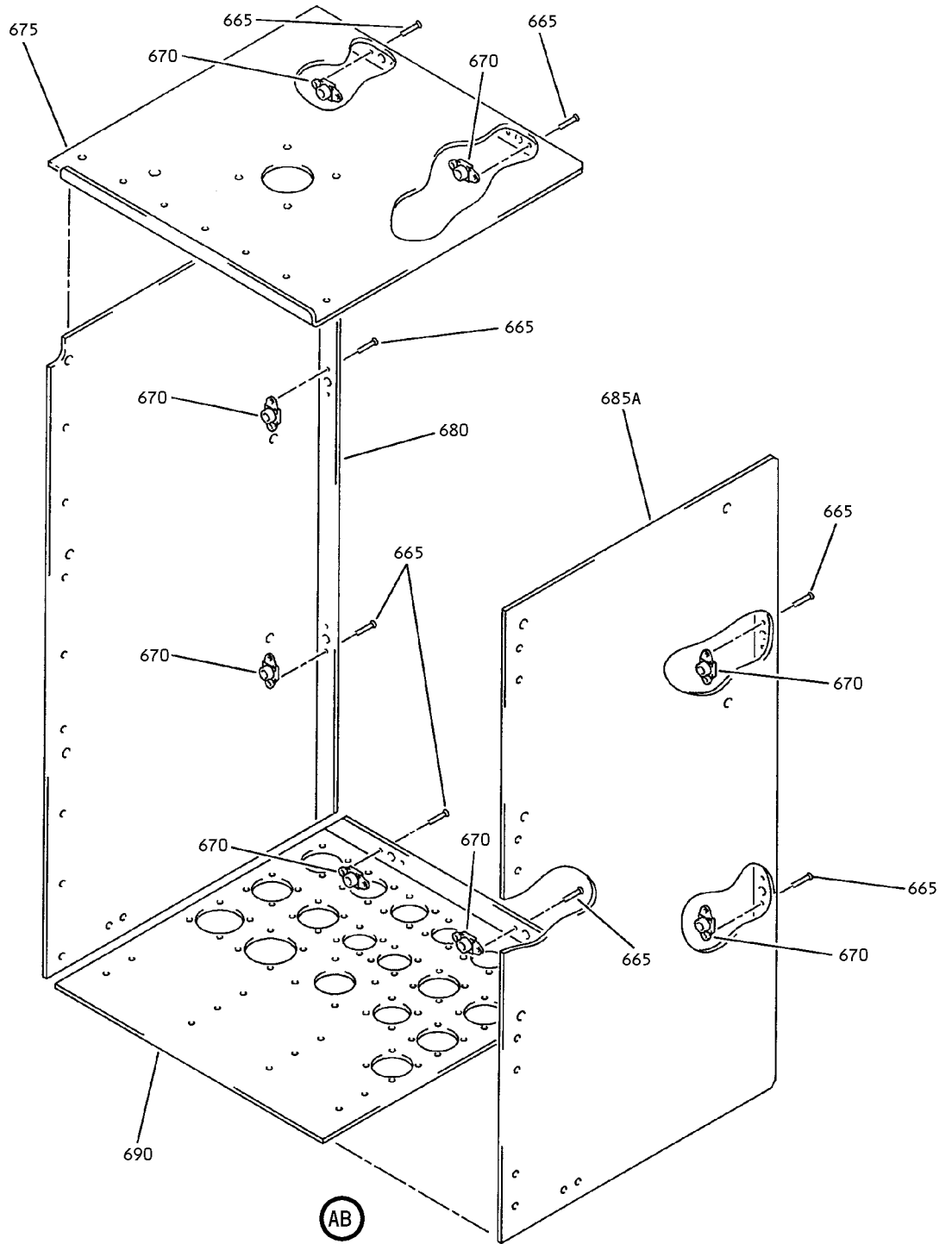
ILLUSTRATED PARTS LIST
01 Page 1082C
Nov 01/02



Electrical System Card File (ESCF) Assembly
Figure 2 (Sheet 21)

25-71-01

ILLUSTRATED PARTS LIST
01 Page 1082D
Nov 01/02



Electrical System Card File (ESCF) Assembly
Figure 2 (Sheet 22)

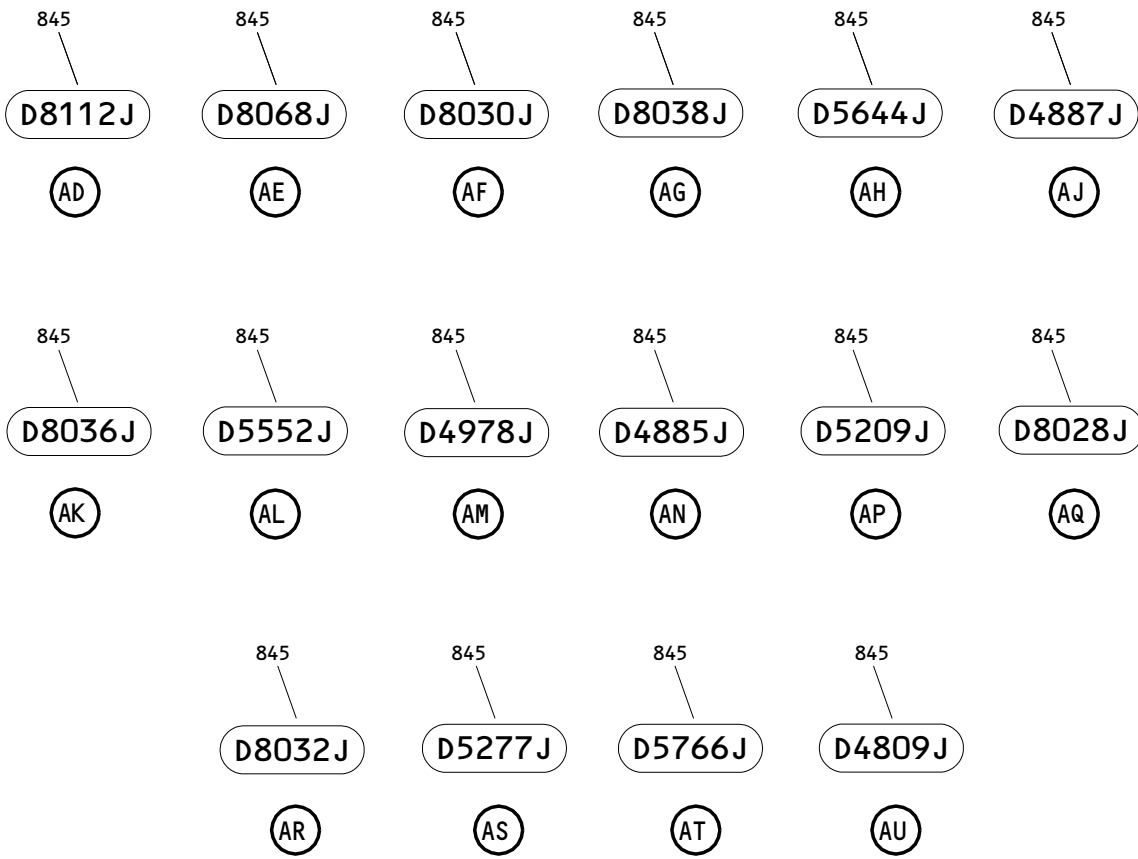
25-71-01

ILLUSTRATED PARTS LIST
01 Page 1082E
Nov 01/02

73 74 75 76 77 78 79 80 81 82 83 84 85 86 87 88 89 90 91 92 93 94 95 96 97

39 40 41 42 43 44 45 46 47 48 49 50 51 52 53 54 55 56 57 58 59 60 61 62 63 64 65 66 67 68 69 70 71 72

1 2 3 4 5 6 7 8 9 10 11 12 13 14 15 16 17 18 19 20 21 22 23 24 25 26 27 28 29 30 31 32 33 34 35 36 37 38



Electrical System Card File (ESCF) Assembly
 Figure 2 (Sheet 23)

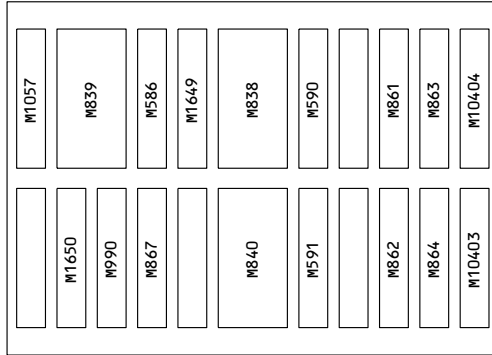
25-71-01

ILLUSTRATED PARTS LIST
 01 Page 1082F
 Nov 01/02

BOEING
COMPONENT
MAINTENANCE MANUAL

720

ELECTRICAL SYSTEM CARD FILE P50



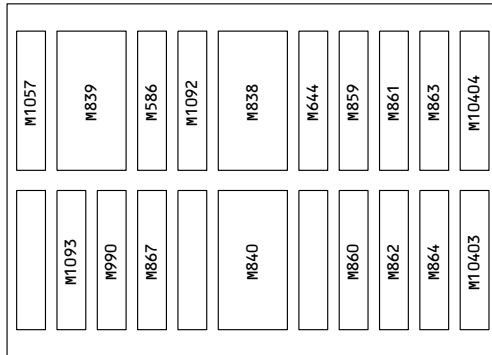
| | | |
|--------|----------|--------------------------------|
| M586 | S344T002 | FUEL LEVEL SENSOR CONTROL |
| M590 | 285T0096 | L-ELEX ENGINE CONTROL DISCRETE |
| M591 | 285T0096 | R-ELEX ENGINE CONTROL DISCRETE |
| M838 | 285T0099 | L-FLAP/STAB POSITION MODULE |
| M839 | 285T0099 | C-FLAP/STAB POSITION MODULE |
| M840 | 285T0099 | R-FLAP/STAB POSITION MODULE |
| M859 | 285T0078 | L-BLEED AIR CONTROL |
| M860 | 285T0078 | R-BLEED AIR CONTROL |
| M861 | 285T0093 | L-ECS FAN CONTROL |
| M862 | 285T0093 | R-ECS FAN CONTROL |
| M863 | 285T0095 | L-PACK FLOW CONTROL |
| M864 | 285T0078 | R-PACK FLOW CONTROL |
| M867 | 285T0459 | EQUIPMENT COOLING INDICATION |
| M990 | 285T0459 | C-ECS FAN CONTROL |
| M1057 | S271T002 | AIR HYD PUMP OVERSPEED CONTROL |
| M1092 | 285T0458 | R-N2 ENGINE SPEED |
| M1093 | 285T0458 | L-N2 ENGINE SPEED |
| M10403 | 285T0094 | L-PACK BACKUP TEMP CONTROL |
| M10404 | 285T0094 | R-PACK BACKUP TEMP CONTROL |

BAC27TEX4322M

AV

720A

ELECTRICAL SYSTEM CARD FILE P50



| | | |
|--------|----------|--------------------------------|
| M586 | S344T002 | FUEL LEVEL SENSOR CONTROL |
| M644 | 285T0096 | ELEX ENGINE CONTROL DISCRETE |
| M838 | 285T0099 | L-FLAP/STAB POSITION MODULE |
| M839 | 285T0099 | C-FLAP/STAB POSITION MODULE |
| M840 | 285T0099 | R-FLAP/STAB POSITION MODULE |
| M859 | 285T0079 | L-BLEED AIR CONTROL |
| M860 | 285T0079 | R-BLEED AIR CONTROL |
| M861 | 285T0078 | L-ECS FAN CONTROL |
| M862 | 285T0078 | R-ECS FAN CONTROL |
| M863 | 285T0093 | L-PACK FLOW CONTROL |
| M864 | 285T0093 | R-PACK FLOW CONTROL |
| M867 | 285T0095 | EQUIPMENT COOLING INDICATION |
| M990 | 285T0078 | C-ECS FAN CONTROL |
| M1057 | S271T002 | AIR HYD PUMP OVERSPEED CONTROL |
| M1092 | 285T0458 | R-N2 ENGINE SPEED |
| M1093 | 285T0458 | L-N2 ENGINE SPEED |
| M10403 | 285T0094 | L-PACK BACKUP TEMP CONTROL |
| M10404 | 285T0094 | R-PACK BACKUP TEMP CONTROL |

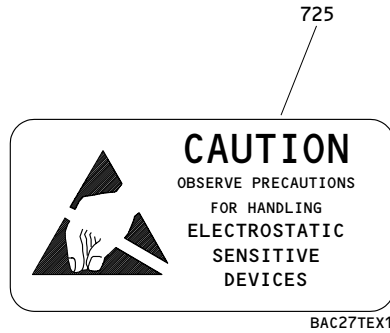
BAC27TEX3752

AW

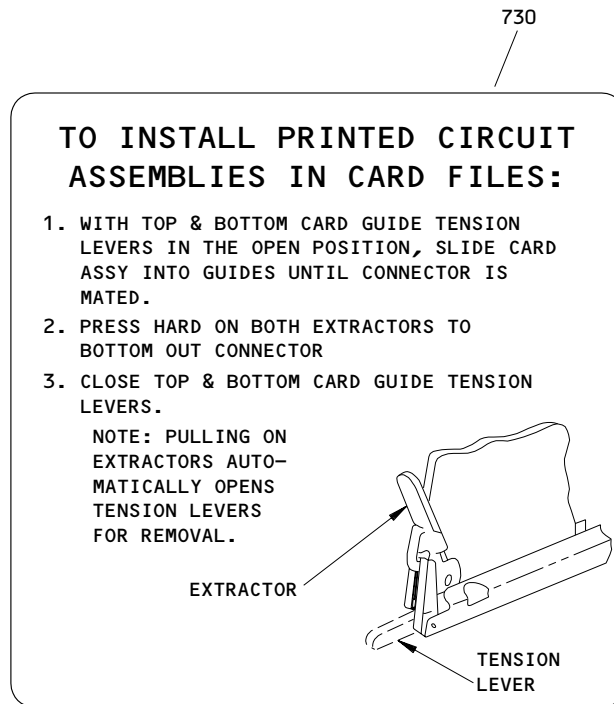
Electrical System Card File (ESCF) Assembly
 Figure 2 (Sheet 24)

25-71-01

ILLUSTRATED PARTS LIST
 01 Page 1082G
 Nov 01/02



AX



AY

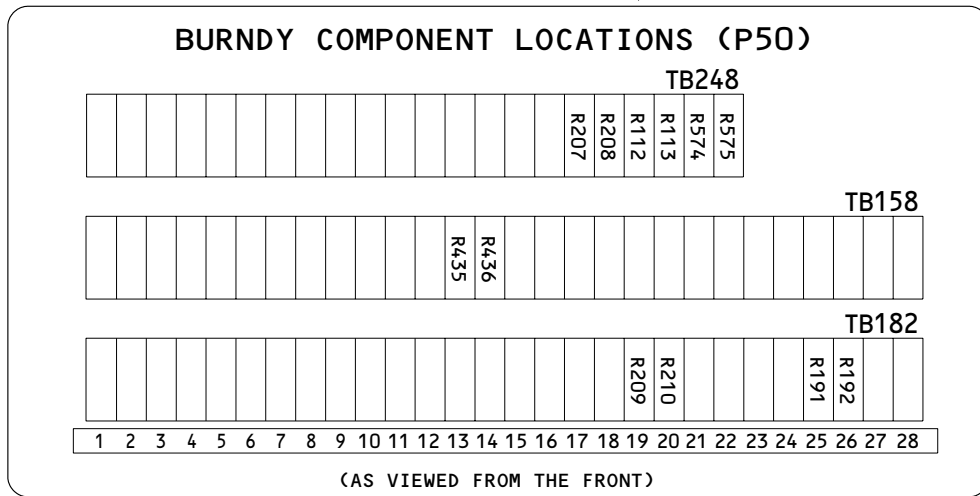
Electrical System Card File (ESCF) Assembly
Figure 2 (Sheet 25)

25-71-01

ILLUSTRATED PARTS LIST
01 Page 1082H
Nov 01/02

BOEING
 COMPONENT
 MAINTENANCE MANUAL

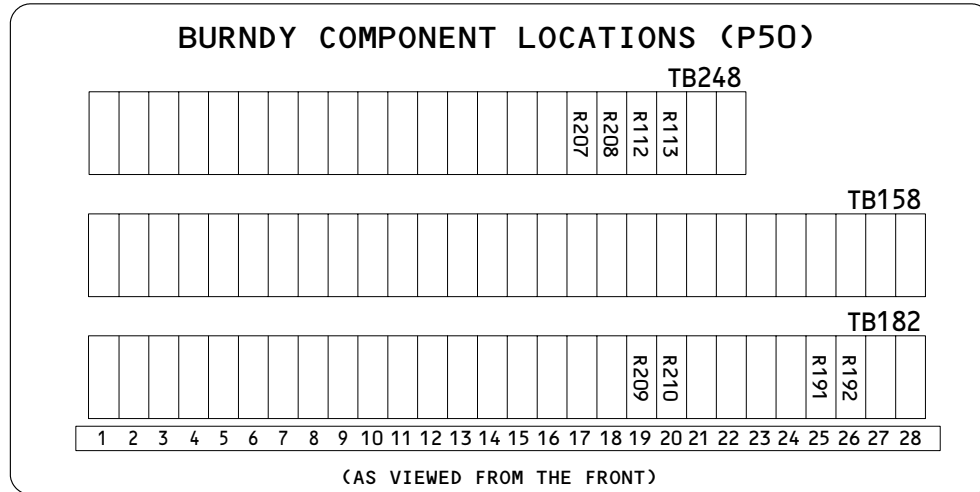
735



BAC27TEX4408

AZ

735A



BAC27TEX4412

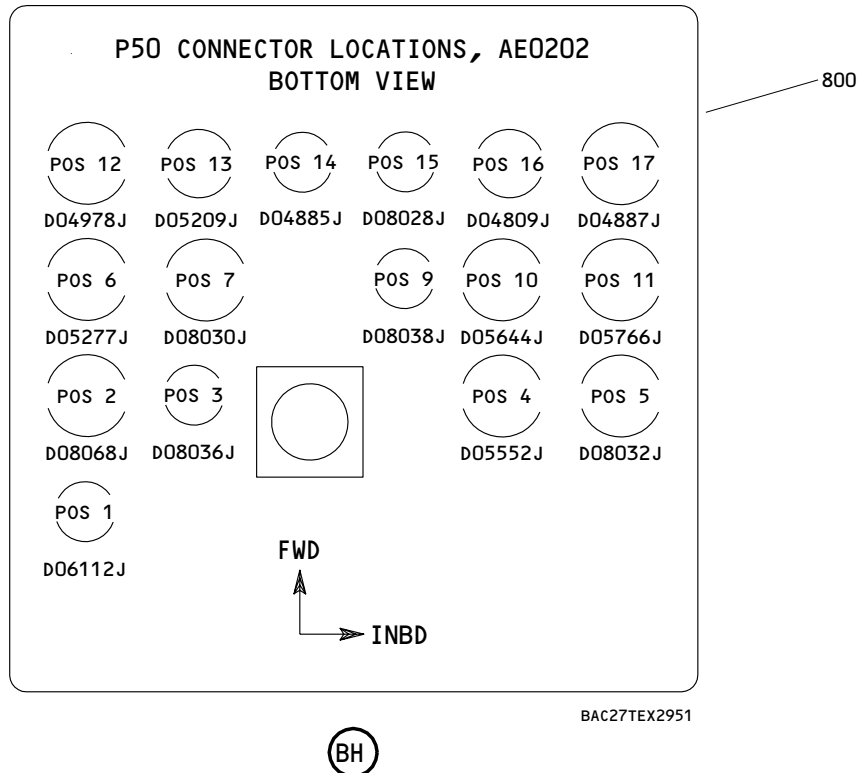
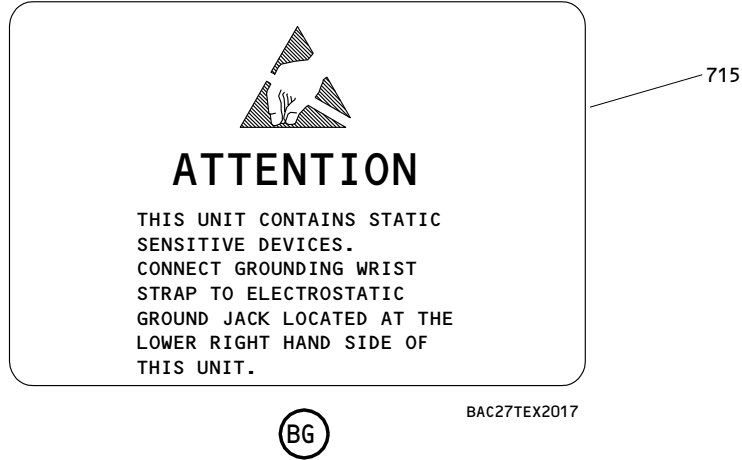
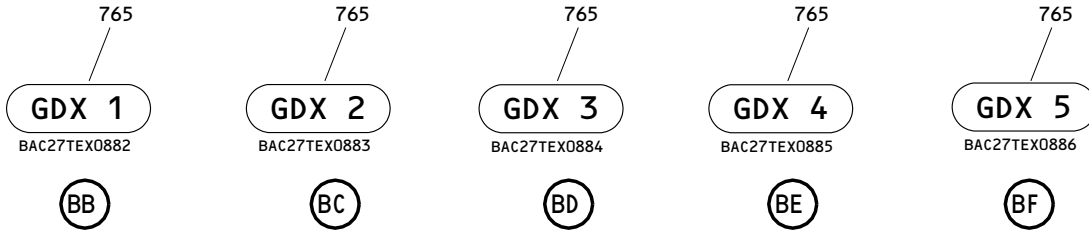
BA

Electrical System Card File (ESCF) Assembly
 Figure 2 (Sheet 26)

25-71-01

ILLUSTRATED PARTS LIST
 01 Page 1082I
 Nov 01/02

09Y00N



Electrical System Card File (ESCF) Assembly
 Figure 2 (Sheet 27)

25-71-01

ILLUSTRATED PARTS LIST
 01 Page 1082J
 Nov 01/02


BOEING
 COMPONENT
 MAINTENANCE MANUAL

| FIG. & ITEM | PART NO. | AIRLINE PART NUMBER | NOMENCLATURE 1234567 | EFF CODE | QTY PER ASSY |
|-------------|---------------|---------------------|--|---------------------|--------------|
| 02- | | | | | |
| -1A | 285T0006-63 | | CARD FILE ASSY | AE | 1 |
| -1B | 285T0006-88 | | CARD FILE ASSY | BB | 1 |
| -1C | 285T0006-89 | | CARD FILE ASSY | BC | 1 |
| -1D | 285T0006-90 | | CARD FILE ASSY | BD | 1 |
| -1E | 285T0006-117 | | CARD FILE ASSY | BT | 1 |
| 5 | VNS1924CA1-8 | | .STUD- (V5M902) (SPEC BACS53B1AE1) (OPT VNS1924CA3-1-8 (V92215)) | AE,B B-BD, BT | 1 |
| 10 | NAS1801-04-5 | | .SCREW | BT | 6 |
| 15 | NAS1801-04-6 | | .SCREW | AE,B B-BD, BT | 11 |
| 20 | NAS1801-06-5 | | .SCREW | AE,B B-BD, BT | 8 |
| 25 | NAS1801-04-5 | | .SCREW | AE,B B-BD, BT | 56 |
| 30 | NAS1801-04-5 | | DELETED | | |
| 35 | AN960JD4L | | .WASHER | AE,B B-BD, BT | 11 |
| 40 | NAS1149DN416H | | .WASHER | BT | 6 |
| 45 | NAS620A6L | | .WASHER | AE,B B-BD, BT | AR |
| 50 | NAS620A4L | | .WASHER | AE,B B-BD, BT | AR |
| 55 | MS21042L04 | | .NUT | AE,B B-BD, BT | 11 |

25-71-01

ILLUSTRATED PARTS LIST

01 Page 1082K

Nov 01/02

| FIG. & ITEM | PART NO. | AIRLINE PART NUMBER | NOMENCLATURE 1234567 | EFF CODE | QTY PER ASSY |
|-------------|-------------------------|---------------------|---|--------------------|--------------|
| 02-60 | H10-06BAC | | .NUT- (V15653) (SPEC BACN10JC06) (OPT RMLH9075-62W (V72962)) (OPT VN303A62 (V92215)) (OPT 96-62 (V80539)) (OPT NS202101-62 (V80539)) (OPT T6S632J (V11815)) (OPT BRH10A06 (V52828)) | AE,B B-BD | 8 |
| -60A 65 | MS21042L06 H10-04BAC | | .NUT .NUT- (V15653) (SPEC BACN10JC04) (OPT NS202101-40 (V80539)) (OPT RMLH9075-40W (V72962)) (OPT VN303A40 (V92215)) (OPT 96-40 (V80539)) (OPT BRH10A04 (V52828)) (OPT T6S440J (V11815)) | BT AE,B B-BD | 8 56 |
| -65A | MS21042L04 | | .NUT | BT | 56 |

25-71-01

 ILLUSTRATED PARTS LIST
 01 Page 1082L
 Nov 01/02


BOEING
 COMPONENT
 MAINTENANCE MANUAL

| FIG. & ITEM | PART NO. | AIRLINE PART NUMBER | NOMENCLATURE 1234567 | EFF CODE | QTY PER ASSY |
|-----------------|--------------------|---------------------|--|---------------------|--------------|
| 02- 70 75 | H10-04BAC AMMC6 | | DELETED .CLAMP ASSY- (V09922) (SPEC BACC49A1) (OPT FAB278 (V15805)) (OPT H28-1 (V34941)) (OPT UP103 (V6E102)) | AE,B B-BD, BT | 6 |
| 80 | 285T0296-99 | | .TRACK ASSY | BT | 1 |
| 85 | BACR15BA3AD | | ..RIVET- (SIZE DETERMINE ON INST) | BT | 23 |
| 90 | BRM100A04L | | ..NUTPLATE- (V52828) (SPEC BACN10JP04B) (OPT MK2000-04BAC (V15653)) (OPT NS103198-40 (V80539)) (OPT RMA9207M40 (V72962)) (OPT VN201A1-40L (V92215)) (OPT T8077S440 (V11815)) | BT | 1 |
| 95 | BRM200A04L | | ..NUTPLATE- (V52828) (SPEC BACN10JP04A) (OPT MK1000-04BAC (V15653)) (OPT NS103197-40 (V80539)) (OPT RMA9201M40 (V72962)) (OPT VN202A1-40L (V92215)) (OPT T8076S440 (V11815)) | BT | 3 |

25-71-01

 ILLUSTRATED PARTS LIST
 01 Page 1082M
 Nov 01/02

| FIG. & ITEM | PART NO. | AIRLINE PART NUMBER | NOMENCLATURE 1234567 | EFF CODE | QTY PER ASSY |
|-------------|--------------|---------------------|---|----------------------|--------------|
| 02-100 | T8078S440 | | ..NUTPLATE- (V11815) (SPEC BACN10JP04C) (OPT BRM300A04L (V52828)) (OPT MK3000-04BAC (V15653)) (OPT NS103199-40 (V80539)) (OPT RMA9205M40 (V72962)) (OPT VN203A1-40L (V92215)) | BT | 2 |
| 105 | AMY0770T5 | | ..TRACK- (V09922) (SPEC BACT44B0770U) | BT | 1 |
| 110 | AMY0940T5 | | ..TRACK- (V09922) (SPEC BACT44B0940U) | BT | 2 |
| 115 | 285T0296-100 | | ..PLATE | BT | 1 |
| 120 | BAC27TEX1316 | | ..MARKER | BT | 1 |
| 125 | YHLZD9 | | .DIODE- (V09922) (R435, R436) | AE, BB | 2 |
| 130 | YHLZD33 | | .DIODE- (V09922) (R574, R575) | AE, B B-BD, BT | 2 |
| 135 | YHLZD30 | | .DIODE- (V09922) (R112, R113, R191, R192, R207-R210) | AE, B B-BD, BT | 8 |
| 140 | YHLZD30 | | .DIODE- (V09922) (R187, R189) | BB, BC | 2 |
| 145 | AMY0940T5 | | .TRACK- (V09922) (SPEC BACT44B0940U) | AE, B B-BD | 2 |

25-71-01

 ILLUSTRATED PARTS LIST
 01 Page 1082N
 Nov 01/02


BOEING
 COMPONENT
 MAINTENANCE MANUAL

| FIG. & ITEM | PART NO. | AIRLINE PART NUMBER | NOMENCLATURE 1234567 | EFF CODE | QTY PER ASSY |
|-------------|--------------|---------------------|--|---------------------|--------------|
| 02-150 | AMY0770T5 | | .TRACK- (V09922) (SPEC BACT44B0770U) | AE,B B-BD | 1 |
| 155 | 285T0006-5 | | .SEAL | AE,B B-BD, BT | 3 |
| 160 | 285T0018-7 | | .SEAL | AE,B B-BD | 2 |
| -160A | 285T0018-6 | | .SEAL | BT | 2 |
| 162 | 285T0018-7 | | .SEAL | AE,B B-BD, BT | 1 |
| 165 | 285T0018-6 | | .SEAL | AE,B B-BD, BT | 1 |
| 167 | 285T0018-6 | | .SEAL | AE,B B-BD | 1 |
| -167A | 285T0018-7 | | .SEAL | BT | 1 |
| 170 | 285T0006-4 | | .SEAL | AE,B B-BD, BT | 1 |
| 175 | NAS1801-06-5 | | .SCREW | AE,B B-BD, BT | 11 |
| 180 | 285T0296-51 | | .PANEL ASSY- (OPT ITEM 180A) | AE,BC | 1 |
| -180A | 285T0296-93 | | .PANEL ASSY- (OPT ITEM 180) | AE,BC | 1 |
| -180B | 285T0296-93 | | .PANEL ASSY | BB | 1 |
| -180C | 285T0296-51 | | .PANEL ASSY | BD,BT | 1 |
| 185 | 285T0296-62 | | .PANEL ASSY- (OPT ITEM 185A) | AE,BC | 1 |
| -185A | 285T0296-94 | | .PANEL ASSY- (OPT ITEM 185) | AE,BC | 1 |
| -185B | 285T0296-94 | | .PANEL ASSY | BB | 1 |
| -185C | 285T0296-62 | | .PANEL ASSY | BD,BT | 1 |
| 190 | 285T0296-45 | | .PANEL ASSY- (OPT ITEM 190A) | AE,BC | 1 |

25-71-01

ILLUSTRATED PARTS LIST

01 Page 10820

Nov 01/02

| FIG. & ITEM | PART NO. | AIRLINE PART NUMBER | NOMENCLATURE 1234567 | EFF CODE | QTY PER ASSY |
|--------------|--------------|---------------------|---|---------------------|--------------|
| 02- -190A | 285T0296-92 | | .PANEL ASSY- (OPT ITEM 190) | AE,BC | 1 |
| -190B | 285T0296-92 | | .PANEL ASSY | BB | 1 |
| -190C | 285T0296-45 | | .PANEL ASSY | BD,BT | 1 |
| 195 | BACR15BA4AD | | ..RIVET- (SIZE DETERMINE ON INST) | AE,B B-BD, BT | 8 |
| 200 | 285T0296-21 | | ..BAR ASSY-SUPPORT | AE,B B-BD, BT | 1 |
| 205 | 285T0296-22 | | ..BAR ASSY-SUPPORT | AE,B B-BD, BT | 1 |
| 210 | MS21209C0615 | | ...INSERT- (USED ON ITEM 200) | AE,B B-BD, BT | 4 |
| 215 | MS21209C0615 | | ...INSERT- (USED ON ITEM 205) | AE,B B-BD, BT | 2 |
| 225 | 285T0296-23 | | ...BAR- (USED ON ITEM 200) | AE,B B-BD, BT | 1 |
| 230 | 285T0296-24 | | ...BAR- (USED ON ITEM 205) | AE,B B-BD, BT | 1 |
| 235 | 285T0222-4 | | ..SEAL- (OPT ITEM 235A) | AE,B B-BD, BT | 2 |
| -235A | 285T0296-96 | | ..SEAL- (OPT ITEM 235) | AE,B B-BD, BT | 2 |
| 237 | 285T0222-4 | | ..SEAL- (USED ON ITEM 185) | AE,BC | 4 |
| -237A | 285T0296-96 | | ..SEAL- (USED ON ITEM 185) | AE,BC | 4 |
| 240 | 285T0296-95 | | ..SHIM- (USED ON ITEMS 180A 185A, 190A) | AE,BB ,BC | 2 |

25-71-01

 ILLUSTRATED PARTS LIST
 01 Page 1082P
 Nov 01/02


BOEING
 COMPONENT
 MAINTENANCE MANUAL

| FIG. & ITEM | PART NO. | AIRLINE PART NUMBER | NOMENCLATURE 1234567 | EFF CODE | QTY PER ASSY |
|--------------|----------------------------|---------------------|---|---------------------|--------------|
| 02- 245 | 285T0296-46 | | ..GUIDE ASSY- (USED ON ITEMS 180, 180A, 180B, 180C, 185, 185A, 185B, 185C) | AE,B B-BD, BT | 1 |
| -245A 247 | 285T0296-43 285T0296-43 | | DELETED ..GUIDE ASSY- (USED ON ITEMS 190, 190A, 190B, 190C) | AE,B B-BD, BT | 1 |
| 250 | 285T0296-61 | | ..GUIDE ASSY- (USED ON ITEMS 185A, 185B) | AE,BB ,BC | 1 |
| 255 | BACR15BB2AD | | ...RIVET- (SIZE DETERMINE ON INST) | AE,B B-BD, BT | 36 |
| 260 | 24BX2-12-3L | | ...RETAINER-CARD (V07387) (USED ON ITEM 245) | AE,B B-BD, BT | 12 |
| -260A 262 | 24BX2-12-3R 24BX2-12-3R | | DELETED ...RETAINER-CARD (V07387) (USED ON ITEM 247) | AE,B B-BD, BT | 12 |
| 265 | 24BX2-12-3R | | ...RETAINER-CARD (V07387) (USED ON ITEM 250) | AE,BB ,BC | 12 |
| 270 | 285T0296-47 | | ...GUIDE-PANEL (USED ON ITEM 245) | AE,B B-BD, BT | 1 |
| -270A 272 | 285T0296-44 285T0296-44 | | DELETED ...GUIDE-PANEL (USED ON ITEM 247) | AE,B B-BD, BT | 1 |
| 275 | 285T0296-60 | | ...GUIDE-PANEL (USED ON ITEM 250) | AE,BB ,BC | 1 |
| 280 | NAS1801-04-5 | | .SCREW | AE,B B-BD, BT | 36 |
| 282 | NAS1801-04-5 | | .SCREW | BT | 2 |
| 285 | NAS1801-04-4 | | .SCREW | AE,B B-BD, BT | 4 |

25-71-01

ILLUSTRATED PARTS LIST

01 Page 1082Q

Nov 01/02

| FIG. & ITEM | PART NO. | AIRLINE PART NUMBER | NOMENCLATURE 1234567 | EFF CODE | QTY PER ASSY |
|--------------|----------------------------|---------------------|--|---------------------|--------------|
| 02-287 | NAS1801-04-4 | | . SCREW | AE,B B-BD | 2 |
| 290 | NAS1801-06-20 | | . SCREW | AE,B B-BD, BT | 1 |
| 295 | MS38338-40 | | . WASHER | AE,B B-BD, BT | 38 |
| 297 | MS38338-40 | | . WASHER | BT | 2 |
| 300 | AN960D6 | | . WASHER | AE,B B-BD | 1 |
| -300A 305 | NAS1149DN632H H10-04BAC | | . WASHER . NUT- (V15653) (SPEC BACN10JC04) (OPT NS202101-40 (V80539)) (OPT RMLH9075-40W (V72962)) (OPT VN303A40 (V92215)) (OPT 96-40 (V80539)) (OPT BRH10A04 (V52828)) (OPT T6S440J (V11815)) | BT AE,B B-BD | 1 4 |
| -305A 307 | MS21042L04 H10-04BAC | | . NUT . NUT- (V15653) (SPEC BACN10JC04) (OPT NS202101-40 (V80539)) (OPT RMLH9075-40W (V72962)) (OPT VN303A40 (V92215)) (OPT 96-40 (V80539)) (OPT BRH10A04 (V52828)) (OPT T6S440J (V11815)) | BT AE,B B-BD | 4 2 |

25-71-01

 ILLUSTRATED PARTS LIST
 01 Page 1082R
 Nov 01/02


BOEING
 COMPONENT
 MAINTENANCE MANUAL

| FIG. & ITEM | PART NO. | AIRLINE PART NUMBER | NOMENCLATURE 1234567 | EFF CODE | QTY PER ASSY |
|-------------|--------------|---------------------|--|---------------------|--------------|
| 02-310 | 285T0018-11 | | .PLATE-COVER (1A21) | AE,B B-BD, BT | 1 |
| 315 | 285T0018-11 | | .PLATE-COVER (1A15) | BB,BC | 1 |
| 320 | 285T0018-10 | | .PLATE-COVER (1A17) | AE,B B-BD, BT | 1 |
| 325 | 285T0296-89 | | .PLATE-CONNECTOR | AE,B B-BD, BT | 1 |
| 330 | 285T0296-90 | | .PLATE-CONNECTOR | AE,B B-BD, BT | 1 |
| 335 | NAS1801-06-5 | | .SCREW | AE,B B-BD, BT | 12 |
| 340 | MS35388-44 | | .WASHER | AE,B B-BD, BT | 1 |
| 345 | 108-0740-001 | | .JACK-BANANA (V74970) | AE,B B-BD, BT | 1 |
| 350 | BACR15BB3AD | | .RIVET- (SIZE DETERMINE ON INST) | AE,B B-BD, BT | 10 |
| 355 | BACR15BB4AD | | .RIVET- (SIZE DETERMINE ON INST) | AE,B B-BD, BT | 20 |
| 360 | WSI4-3 | | .NUTPLATE- (V04169) (SPEC BACN10TL3-3) | AE,B B-BD, BT | 3 |
| 365 | WSI4-6 | | .NUTPLATE- (V04169) (SPEC BACN10TL3-6) | AE,B B-BD, BT | 2 |
| 370 | NAS603-7P | | .SCREW | AE,B B-BD, BT | 5 |

25-71-01

ILLUSTRATED PARTS LIST

01 Page 1082S

Nov 01/02

| FIG. & ITEM | PART NO. | AIRLINE PART NUMBER | NOMENCLATURE 1234567 | EFF CODE | QTY PER ASSY |
|-------------|-----------|---------------------|---|---------------------|--------------|
| 02-375 | TM3S10 | | .PLATE- (V06383) (SPEC STBP19M12) | AE,B B-BD, BT | 5 |
| 380 | YHLZG16-1 | | .BLOCK-TERMINAL (V09922) | AE,B B-BD, BT | 5 |
| -385 | YHLZ2 | | .MODULE- (V09922) (SPEC BACM15C1A) (OPT YHLZ22 (V09922)) | BB-BD ,BT | AR |
| -390 | YHLZ4 | | .MODULE- (V09922) (SPEC BACM15C1B) (OPT YHLZ44 (V09922)) | BB-BD ,BT | AR |
| -395 | YHLZ8 | | .MODULE- (V09922) (SPEC BACM15C2A) | BB-BD ,BT | AR |
| -400 | YHLZ16-2 | | .MODULE- (V09922) (SPEC BACM15C3A) (OPT TBH120450 (V58982)) (OPT 421120-450 (V58982)) | BB-BD ,BT | AR |
| -405 | YHLZ16-4 | | .MODULE- (V09922) (SPEC BACM15C3B) (OPT 421120-452 (V58982)) (OPT TBH120452 (V58982)) | BB-BD ,BT | AR |
| -410 | YHLZ16-8 | | .MODULE- (V09922) (SPEC BACM15C3C) (OPT 421120-454 (V58982)) (OPT TBH120454 (V58982)) | BB-BD ,BT | AR |

25-71-01

 ILLUSTRATED PARTS LIST
 01 Page 1082T
 Nov 01/02


BOEING
 COMPONENT
 MAINTENANCE MANUAL

| FIG. & ITEM | PART NO. | AIRLINE PART NUMBER | NOMENCLATURE 1234567 | EFF CODE | QTY PER ASSY |
|-------------|--------------|---------------------|---------------------------------------|---------------------|--------------|
| 02-415 | 285T0006-78 | | .ENCLOSURE ASSY | AE,B B-BD | 1 |
| 415A | 285T0006-124 | | .ENCLOSURE ASSY | BT | 1 |
| 420 | BACR15BB5AD | | ..RIVET- (SIZE DETERMINE ON INST) | AE,B B-BD, BT | 4 |
| 425 | BACR15BB6AD | | ..RIVET- (SIZE DETERMINE ON INST) | AE,B B-BD, BT | 5 |
| 430 | 285T0296-79 | | ..BRACKET | AE,B B-BD, BT | 1 |
| 435 | 285T0296-80 | | ..BRACKET ASSY | AE,B B-BD, BT | 1 |
| 440 | BACR15BA4AD | | ...RIVET- (SIZE DETERMINE ON INST) | AE,B B-BD, BT | 2 |
| 445 | 285T0296-81 | | ...FILLER | AE,B B-BD, BT | 1 |
| 450 | 285T0296-54 | | ...BRACKET | AE,B B-BD, BT | 1 |
| 455 | 285T0296-75 | | ..BRACKET ASSY | AE,B B-BD, BT | 1 |
| 460 | BACR15BA3AD | | ...RIVET- (SIZE DETERMINE ON INST) | AE,B B-BD, BT | 5 |
| 465 | 285T0296-53 | | ...FILLER | AE,B B-BD, BT | 1 |
| 470 | 285T0296-76 | | ...SPACER | AE,B B-BD, BT | 1 |

25-71-01

ILLUSTRATED PARTS LIST

01 Page 1082U

Nov 01/02

| FIG. & ITEM | PART NO. | AIRLINE PART NUMBER | NOMENCLATURE 1234567 | EFF CODE | QTY PER ASSY |
|-------------|-------------|---------------------|--|---------------------|--------------|
| 02-475 | 285T0296-29 | | ...BRACKET | AE,B B-BD, BT | 1 |
| 480 | 285T0296-72 | | ..DOOR ASSY- (OPT ITEM 480A) | AE,B B-BD, BT | 1 |
| -480A | 285T0296-98 | | ..DOOR ASSY- (OPT ITEM 480) | AE,B B-BD, BT | 1 |
| 485 | 2600LW | | ...WASHER- (V71286) (SPEC BACW10X4) (OPT 1127700 (V60119)) | AE,B B-BD, BT | 4 |
| 490 | BACS21EE3R | | DELETED | | |
| 490A | BACS21Y1R | | ...STUD ASSY | AE,B B-BD, BT | 4 |
| 495 | BACR15BA3AD | | ...RIVET- (SIZE DETERMINE ON INST) | AE,B B-BD, BT | 4 |
| 500 | BACR15BB3AD | | ...RIVET- (SIZE DETERMINE ON INST) | AE,B B-BD, BT | 16 |
| 505 | 285T0296-74 | | ...RETAINER | AE,B B-BD, BT | 4 |
| 510 | 285T0296-41 | | ...SEAL | AE,B B-BD, BT | 2 |
| 512 | 285T0296-41 | | ...SEAL- (USED ON ITEM 480) | AE,B B-BD, BT | 1 |
| 515 | 285T0296-42 | | ...SEAL | AE,B B-BD, BT | 1 |
| 517 | 285T0296-42 | | ...SEAL- (USED ON ITEM 480) | AE,B B-BD, BT | 1 |

25-71-01

 ILLUSTRATED PARTS LIST
 01 Page 1082V
 Nov 01/02


BOEING
 COMPONENT
 MAINTENANCE MANUAL

| FIG. & ITEM | PART NO. | AIRLINE PART NUMBER | NOMENCLATURE 1234567 | EFF CODE | QTY PER ASSY |
|-------------|----------------|---------------------|--------------------------------------|---------------------|--------------|
| 02-520 | 285T0296-73 | | ...BRACKET | AE,B B-BD, BT | 4 |
| 525 | 285T0296-71 | | ...SEAL- (USED ON ITEM 480) | AE,B B-BD, BT | 1 |
| 530 | 285T0296-8 | | ...DOOR | AE,B B-BD, BT | 1 |
| 535 | BACR15CE5AD | | ..RIVET- (SIZE DETERMINE ON INST) | AE,B B-BD, BT | 9 |
| 540 | BACR15BB5AD | | ..RIVET- (SIZE DETERMINE ON INST) | AE,B B-BD, BT | 8 |
| 545 | 285T0296-77 | | ..HINGE ASSY | AE,B B-BD, BT | 1 |
| 550 | MS20253P2-1950 | | ...PIN | AE,B B-BD, BT | 1 |
| 555 | 285T0296-83 | | ...HINGE-HALF | AE,B B-BD, BT | 1 |
| 560 | 285T0296-84 | | ...HINGE-HALF | AE,B B-BD, BT | 1 |
| 565 | 285T0296-78 | | ..SPACER | AE,B B-BD | AR |
| -565A | 285T0296-101 | | ..SPACER | BT | AR |
| 567 | BACR15BB3AD | | ..RIVET- (SIZE DETERMINE ON INST) | AE,B B-BD, BT | 8 |
| 568 | 285T0018-9 | | ..SPACER | AE,B B-BD, BT | 4 |
| 570 | BACR11Y1 | | ..RECEPTACLE | AE,B B-BD, BT | 4 |

25-71-01

 ILLUSTRATED PARTS LIST
 01 Page 1082W
 Nov 01/02

| FIG. & ITEM | PART NO. | AIRLINE PART NUMBER | NOMENCLATURE 1234567 | EFF CODE | QTY PER ASSY |
|-------------|--------------|---------------------|---------------------------------------|---------------------|--------------|
| 02- 575 | BACR15BB3AD | | DELETED | | |
| 580 | BACR15BB5AD | | ..RIVET- (SIZE DETERMINE ON INST) | AE,B B-BD, BT | 8 |
| 585 | BACR15BB4AD | | ..RIVET- (SIZE DETERMINE ON INST) | AE,B B-BD, BT | 6 |
| 590 | 285T0018-9 | | DELETED | | |
| 595 | 285T0155-3 | | ..SPUD ASSY- (OPT ITEM 595A) | AE,B B-BD, BT | 1 |
| -595A | 285T0155-8 | | ..SPUD ASSY- (OPT ITEM 595) | AE,B B-BD, BT | 1 |
| 600 | 285T0296-88 | | ..BRACKET | AE,B B-BD, BT | 1 |
| 605 | 217T2113-1 | | ..INLET ASSY | AE,B B-BD, BT | 1 |
| 610 | BACR15BB4 | | ...RIVET- (SIZE DETERMINE ON INST) | AE,B B-BD, BT | 2 |
| 615 | 217T1436-1 | | ...RETAINER ASSY | AE,B B-BD, BT | 1 |
| 617 | BAC27TEC0160 | |MARKER- TEST PORT | AE,B B-BD, BT | 1 |
| 620 | 217T1435-2 | | ...PLUG | AE,B B-BD, BT | 1 |
| 625 | NAS42DD4-4 | | ...SPACER | AE,B B-BD, BT | 2 |

25-71-01

 ILLUSTRATED PARTS LIST
 01 Page 1082X
 Nov 01/02


BOEING
 COMPONENT
 MAINTENANCE MANUAL

| FIG. & ITEM | PART NO. | AIRLINE PART NUMBER | NOMENCLATURE 1234567 | EFF CODE | QTY PER ASSY |
|-------------|---------------|---------------------|--|---------------------|--------------|
| 02-627 | 217T2113-4 | | ...WELD ASSY | AE,B B-BD, BT | 1 |
| 630 | NAS1801-04-5 | | ..SCREW | AE,B B-BD, BT | 4 |
| 635 | NAS1801-06-5 | | ..SCREW | AE,B B-BD, BT | 8 |
| 640 | NAS1149FN632P | | DELETED | | |
| 640A | NAS1149DN632J | | ..WASHER | AE,B B-BD, BT | 8 |
| 645 | H10-04BAC | | ..NUT- (V15653) (SPEC BACN10JC04) (OPT NS202101-40 (V80539)) (OPT RMLH9075-40W (V72962)) (OPT VN303A40 (V92215)) (OPT 96-40 (V80539)) (OPT BRH10A04 (V52828)) (OPT T6S440J (V11815)) | AE,B B-BD, BT | 4 |
| 650 | 285T0296-65 | | ..COVER-PLATE | AE,B B-BD, BT | 1 |
| 655 | 285T0296-6 | | ..PANEL-REAR | AE,B B-BD, BT | 1 |
| 660 | 285T0296-97 | | ..BOX ASSY | AE,B B-BD | 1 |
| -660A | 285T0296-106 | | ..BOX ASSY | BT | 1 |
| 665 | BACR15BA5AD | | ...RIVET- (SIZE DETERMINE ON INST) | AE,B B-BD, BT | 16 |

25-71-01

ILLUSTRATED PARTS LIST

01

Page 1082Y

Nov 01/02

| FIG. & ITEM | PART NO. | AIRLINE PART NUMBER | NOMENCLATURE 1234567 | EFF CODE | QTY PER ASSY |
|-------------|--------------|---------------------|---|---------------------|--------------|
| 02-670 | F5000-06BAC | | ...NUTPLATE- (V15653) (SPEC BACN10JR06F) (OPT NS103203-62 (V80539)) (OPT RMF9201-62 (V72962)) (OPT VN152A1-62 (V92215)) (OPT T8091S632 (V11815)) (OPT BRF200A06 (V52828)) | AE,B B-BD, BT | 8 |
| 675 | 285T0296-5 | | ...PANEL-TOP | AE,B B-BD, BT | 1 |
| 680 | 285T0296-2 | | ...PANEL-SIDE | AE,B B-BD, BT | 1 |
| -685 | 285T0296-102 | | ...PANEL-SIDE | BT | 1 |
| 685A | 285T0296-3 | | ...PANEL-SIDE | AE,B B-BD | 1 |
| 690 | 285T0296-82 | | ...PANEL-BOTTOM | AE,B B-BD, BT | 1 |
| -695 | 286T1078 | | .WIRE BUNDLE ASSY | AE,B B-BD, BT | 1 |
| -700 | 286T1080 | | .WIRE BUNDLE ASSY | AE,B B-BD, BT | 1 |
| -705 | 286T1114 | | .WIRE BUNDLE ASSY | AE,B B-BD, BT | 1 |
| 710 | BAC27TEX2005 | | .MARKER-ALUMINUM FOIL P50 ELCETRICAL SYSTEM CARD FILE | AE,B B-BD, BT | 1 |

25-71-01

 ILLUSTRATED PARTS LIST
 01 Page 1082Z
 Nov 01/02


BOEING
 COMPONENT
 MAINTENANCE MANUAL

| FIG. & ITEM | PART NO. | AIRLINE PART NUMBER | NOMENCLATURE 1234567 | EFF CODE | QTY PER ASSY |
|-------------|---------------|---------------------|---|---------------------|--------------|
| 02-715 | BAC27TEX2017 | | .DECAL | AE,B B-BD, BT | 1 |
| 720 | BAC27TEX4777 | | .DECAL | AE,BD ,BT | 1 |
| 720A | BAC27TEX4041 | | .DECAL | BB,BC | 1 |
| 725 | BAC27TEX1 | | .MARKER-ALUMINUM FOIL | AE,B B-BD, BT | 1 |
| 730 | BAC27TEX3370 | | .MARKER-ALUMINUM FOIL | AE,B B-BD, BT | 1 |
| 735 | BAC27TEX4408 | | .DECAL | AE,BB | 1 |
| 735A | BAC27TEX4793 | | .DECAL | BC,BD ,BT | 1 |
| 740 | BAC27TEX0882 | | .MARKER-GDX1 (OPT ITEM 765) | AE,B B-BD, BT | 1 |
| 745 | BAC27TEX0883 | | .MARKER-GDX2 (OPT ITEM 765) | AE,B B-BD, BT | 1 |
| 750 | BAC27TEX0884 | | .MARKER-GDX3 (OPT ITEM 765) | AE,B B-BD, BT | 1 |
| 755 | BAC27TEX0885 | | .MARKER-GDX4 (OPT ITEM 765) | AE,B B-BD, BT | 1 |
| 760 | BAC27TEX0886 | | .MARKER-GDX5 (OPT ITEM 765) | AE,B B-BD, BT | 1 |
| 765 | BAC27EEL22704 | | .DECALSET-(INCLUDES DECALS IDENTIFIED ON THE ILLUSTRATION) (OPT ITEMS 740, 745, 750 755, 760) | AE,B B-BD, BT | 1 |
| 770 | BAC27TEX3020 | | .DECAL-R209 | AE,BC | 1 |
| 775 | BAC27TEX3021 | | .DECAL-R210 | AE,BC | 1 |
| 780 | BAC27TEX3007 | | .DECAL-R187 | AE,BC | 1 |
| 785 | BAC27TEX3009 | | .DECAL-R189 | AE,BC | 1 |
| 790 | BAC27TEX3011 | | .DECAL-R191 | AE,BC | 1 |

25-71-01

ILLUSTRATED PARTS LIST

01

Page 1083

Nov 01/02

| FIG. & ITEM | PART NO. | AIRLINE PART NUMBER | NOMENCLATURE 1234567 | EFF CODE | QTY PER ASSY |
|-------------|--------------|---------------------|---|---------------------|--------------|
| 02-795 | BAC27TEX3012 | | .DECAL-R192 | AE,BC | 1 |
| 800 | BAC27TEX2951 | | .DECAL | AE,B B-BD, BT | 1 |
| 805 | BAC27TEX1316 | | .MARKER | AE,B B-BD, BT | 1 |
| 810 | BAC27TEX1302 | | .DECAL | AE,B B-BD, BT | 3 |
| 815 | BAC27TEX3018 | | .DECAL-R207 | AE,BC | 1 |
| 820 | BAC27TEX3019 | | .DECAL-R208 | AE,BC | 1 |
| 825 | BAC27TEX2827 | | .DECAL-R112 | AE,BC | 1 |
| 830 | BAC27TEX2828 | | .DECAL-R113 | AE,BC | 1 |
| 835 | BAC27TEX3546 | | .DECAL-R574 | BC | 1 |
| 840 | BAC27TEX3547 | | .DECAL-R575 | BC | 1 |
| 845 | BAC27TEX3311 | | .DECALSET-(INCLUDES DECALS IDENTIFIED ON THE ILLUSTRATION | AE,B B-BD, BT | 1 |
| 850 | BAC27TEX1993 | | .MARKER-ATTENTION ELECTROSTATIC GROUND JACK | AE,B B-BD, BT | 1 |
| 855 | BAC27TEX3269 | | DELETED | | |

- Item Not Illustrated

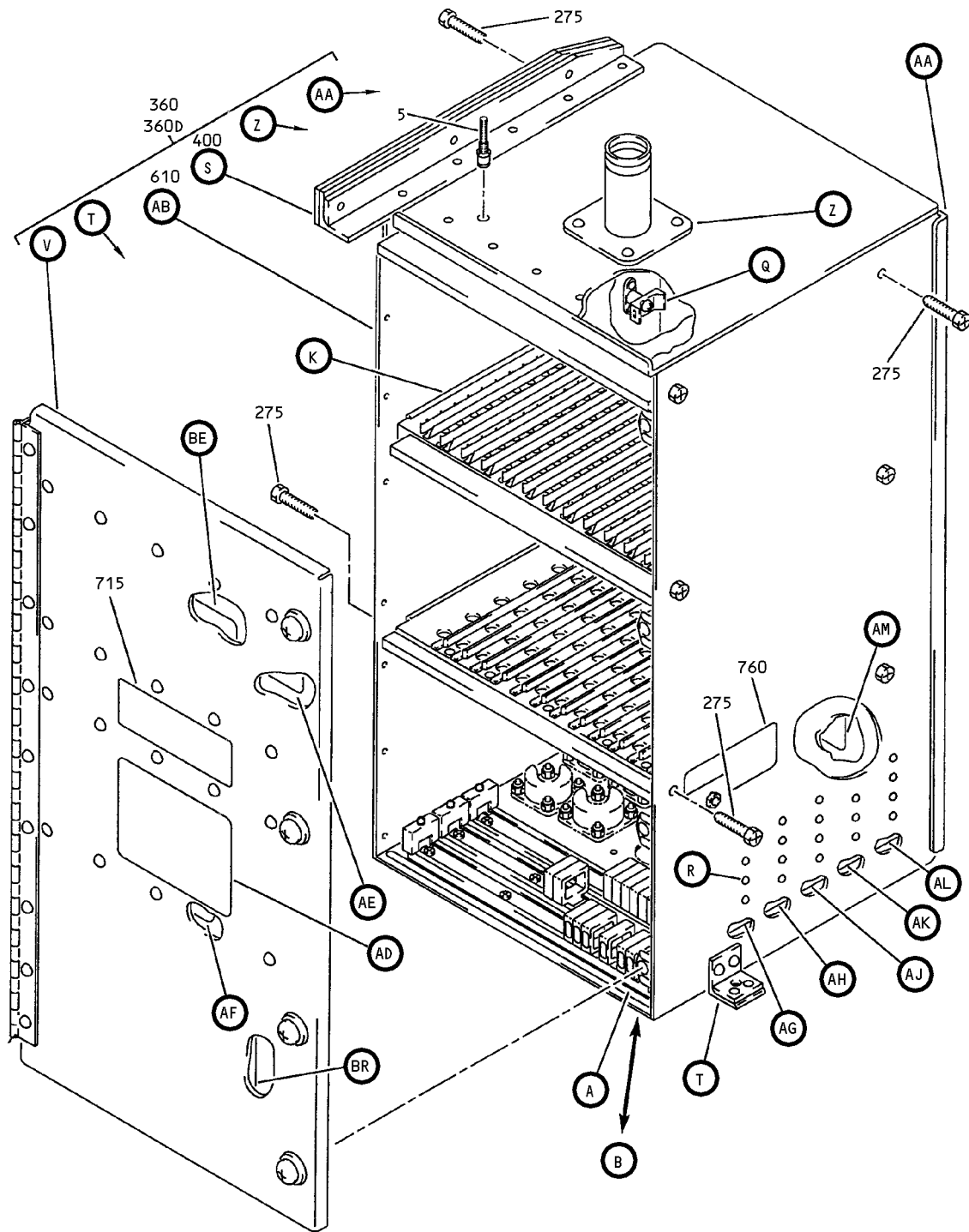
25-71-01

ILLUSTRATED PARTS LIST

01

Page 1084

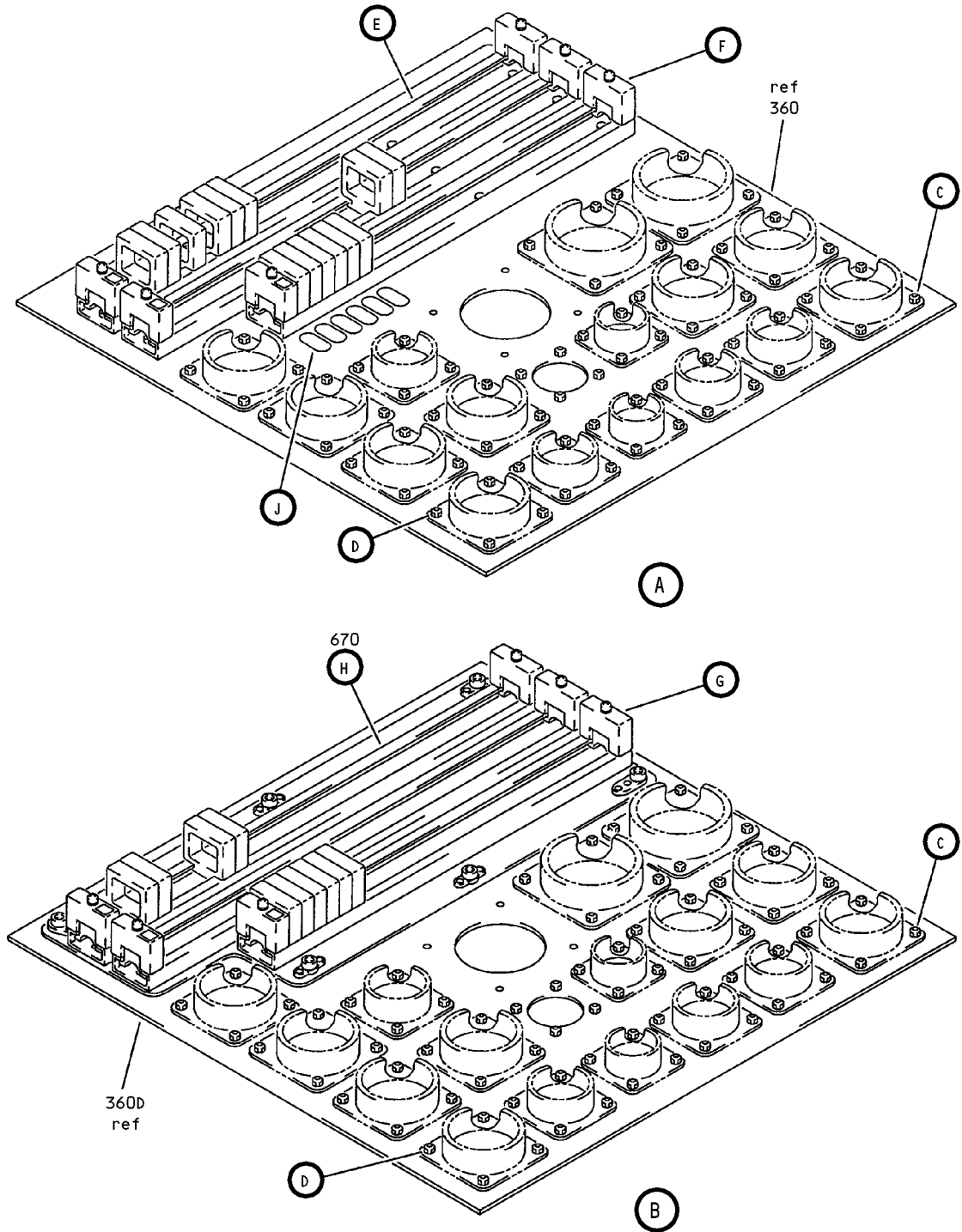
Nov 01/02



Electrical System Card File (ESCF) Assembly
 Figure 3 (Sheet 1)

25-71-01

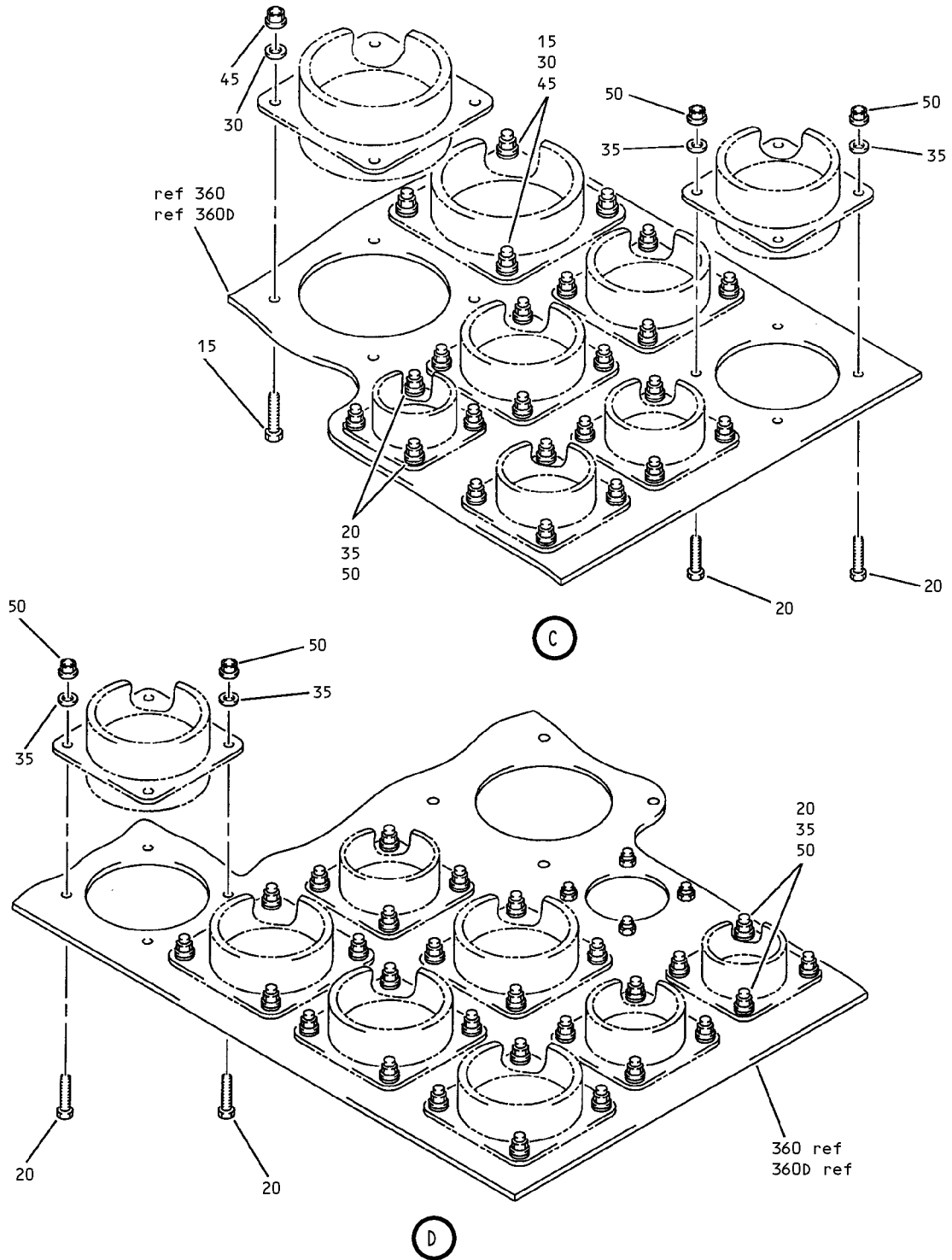
ILLUSTRATED PARTS LIST
 01 Page 1084B
 Nov 01/02



Electrical System Card File (ESCF) Assembly
Figure 3 (Sheet 2)

25-71-01

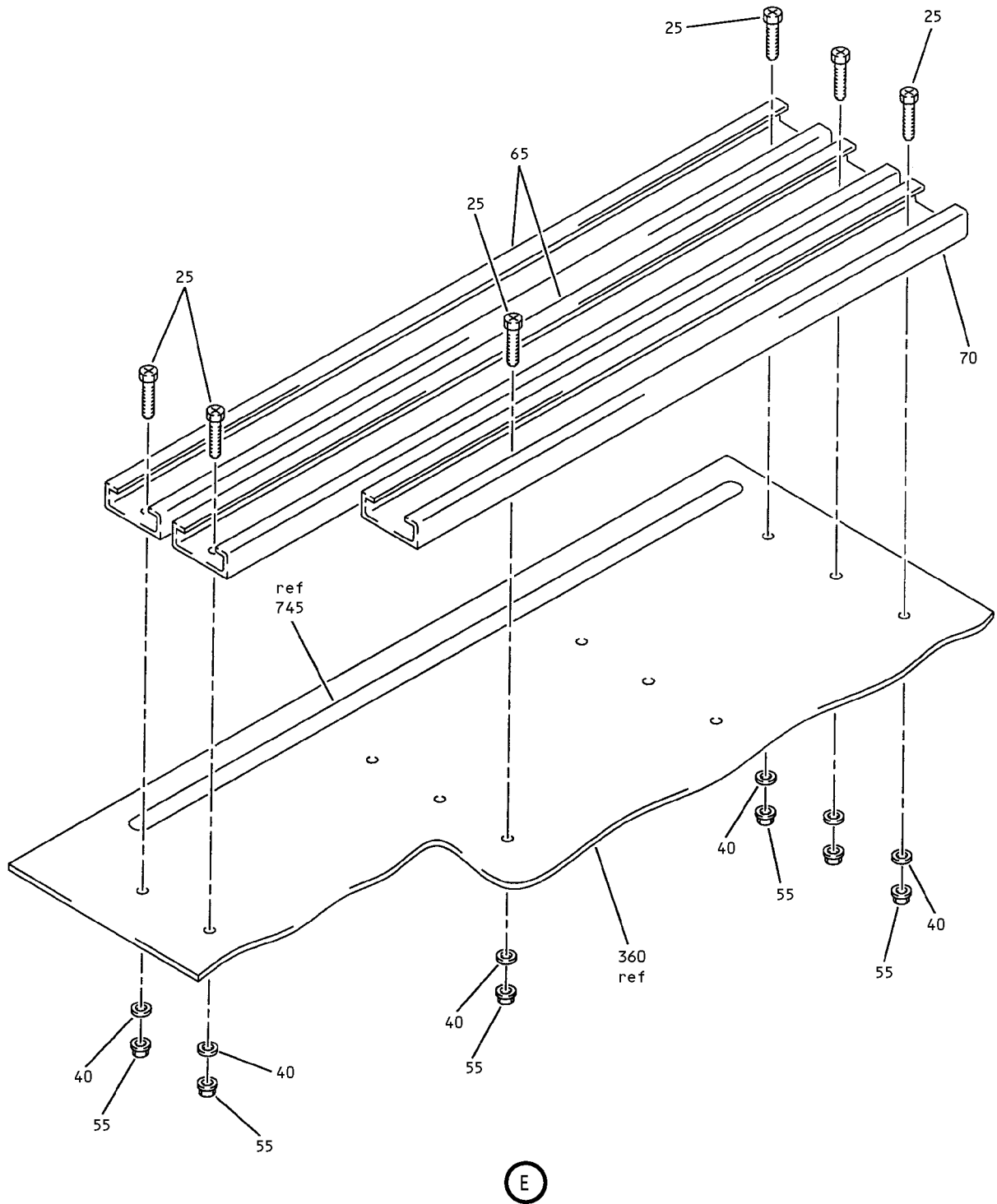
ILLUSTRATED PARTS LIST
01 Page 1084C
Nov 01/02



Electrical System Card File (ESCF) Assembly
 Figure 3 (Sheet 3)

25-71-01

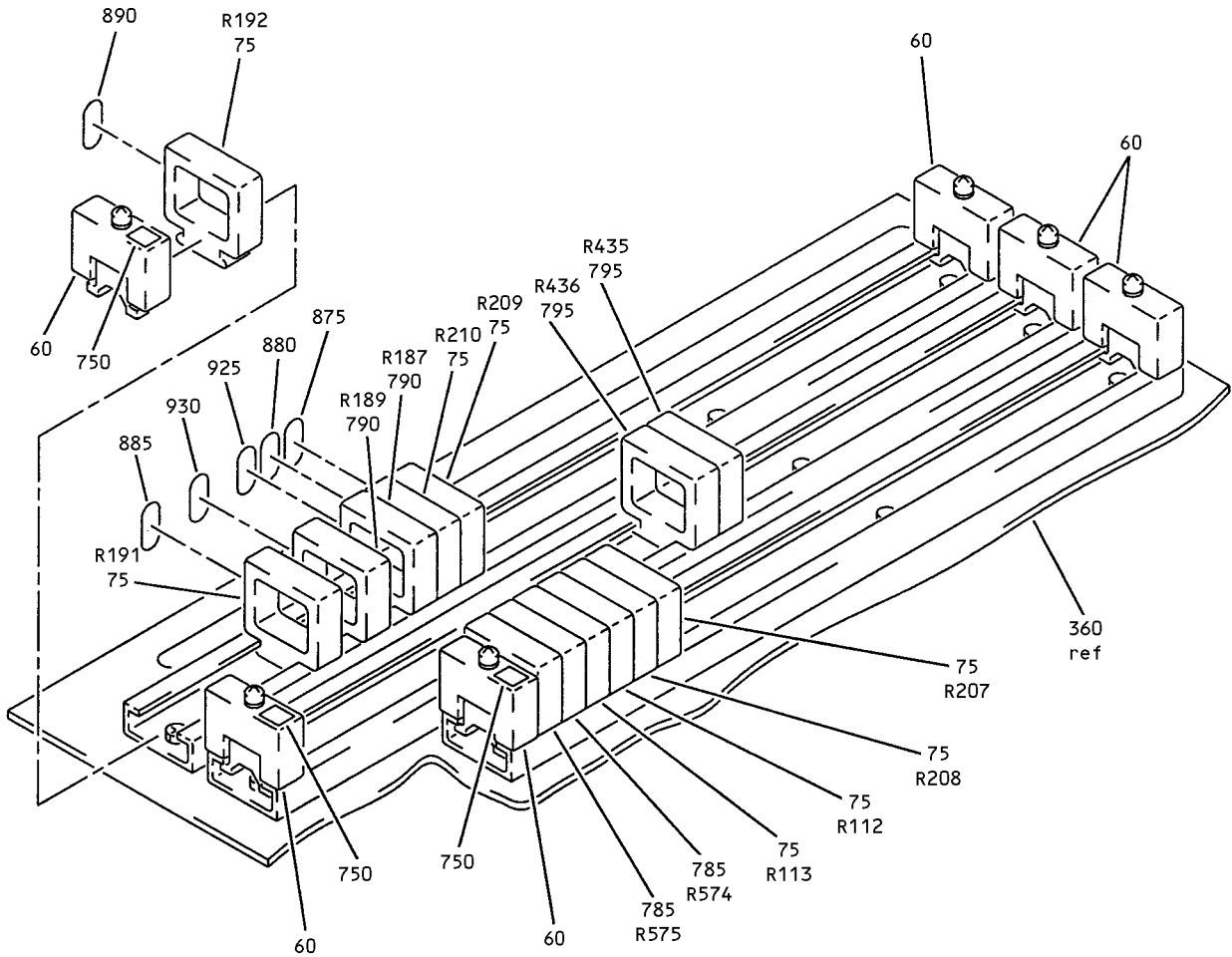
ILLUSTRATED PARTS LIST
 01 Page 1084D
 Nov 01/02



Electrical System Card File (ESCF) Assembly
Figure 3 (Sheet 4)

25-71-01

ILLUSTRATED PARTS LIST
01 Page 1084E
Nov 01/02

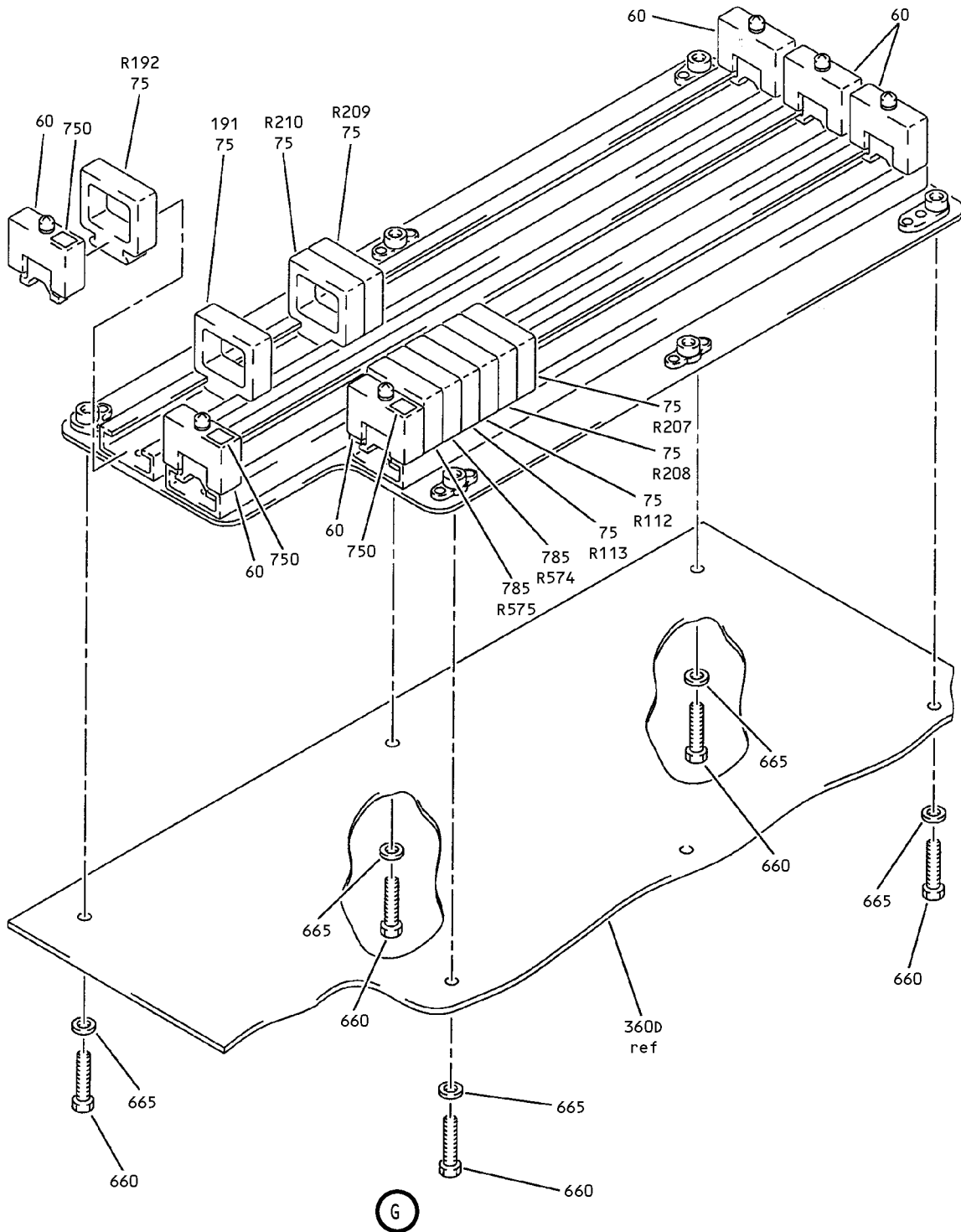


(F)

Electrical System Card File (ESCF) Assembly
 Figure 3 (Sheet 5)

25-71-01

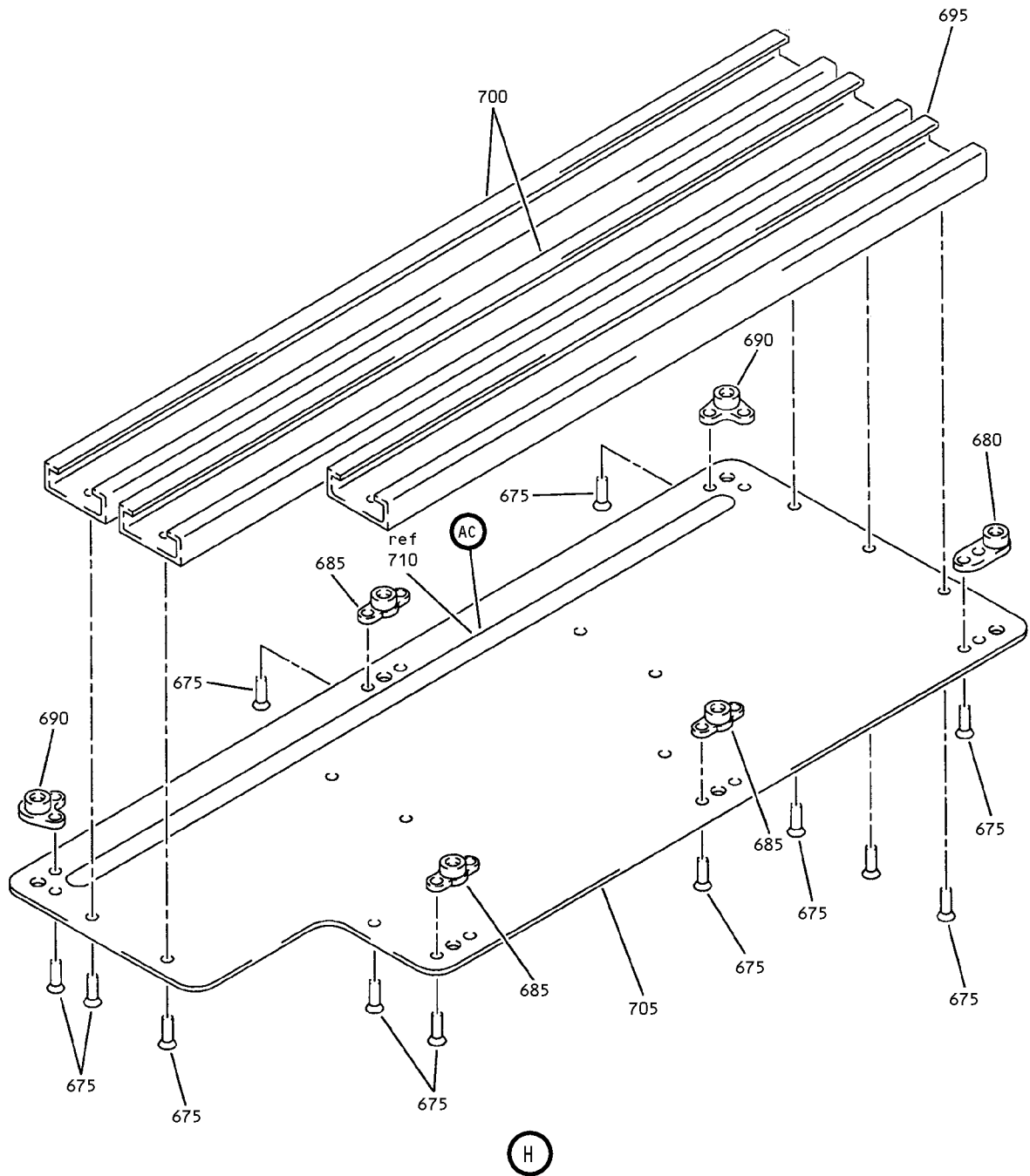
ILLUSTRATED PARTS LIST
 01 Page 1084F
 Nov 01/02



Electrical System Card File (ESCF) Assembly
 Figure 3 (Sheet 6)

25-71-01

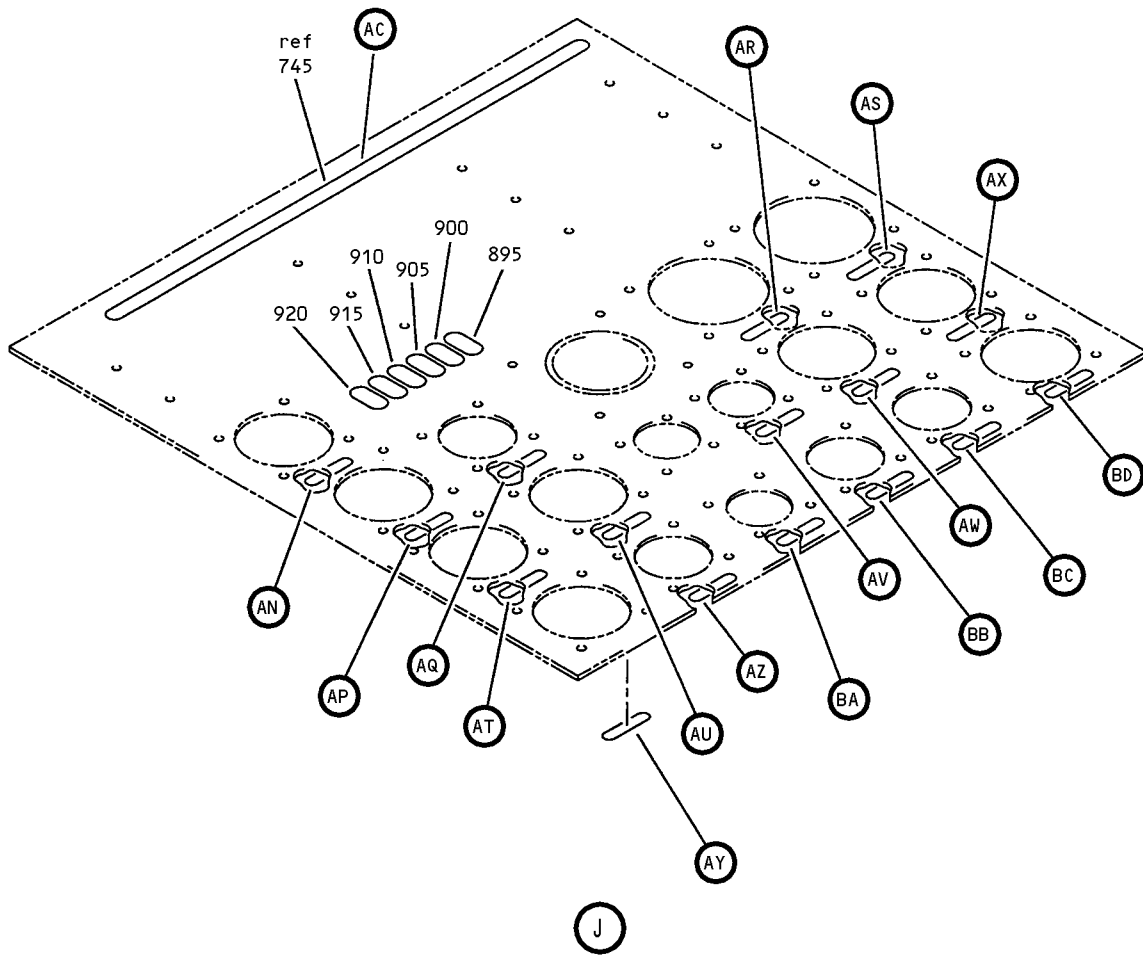
ILLUSTRATED PARTS LIST
 01 Page 1084G
 Nov 01/02



Electrical System Card File (ESCF) Assembly
Figure 3 (Sheet 7)

25-71-01

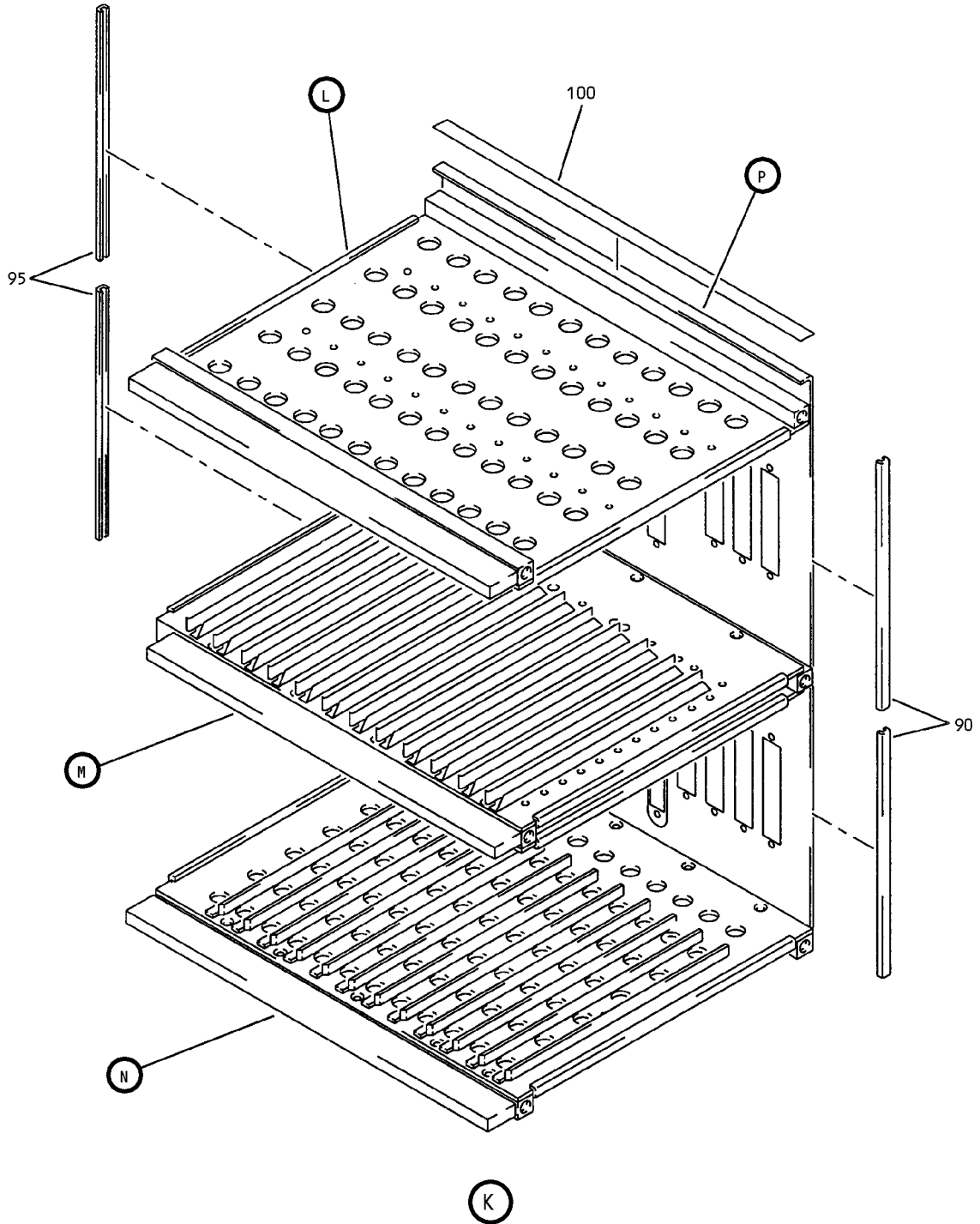
ILLUSTRATED PARTS LIST
01 Page 1084H
Nov 01/02



Electrical System Card File (ESCF) Assembly
Figure 3 (Sheet 8)

25-71-01

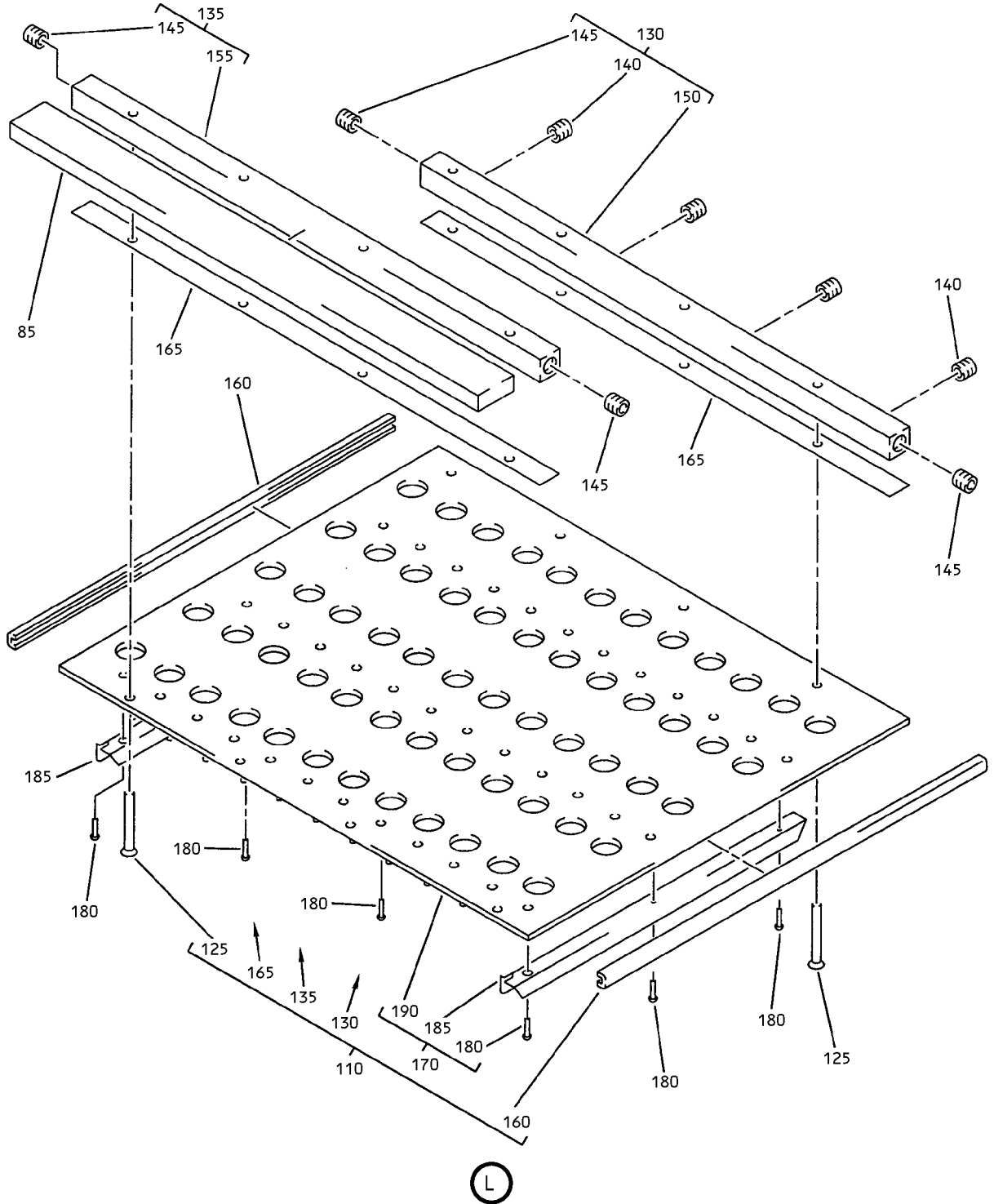
ILLUSTRATED PARTS LIST
01 Page 1084I
Nov 01/02



Electrical System Card File (ESCF) Assembly
Figure 3 (Sheet 9)

25-71-01

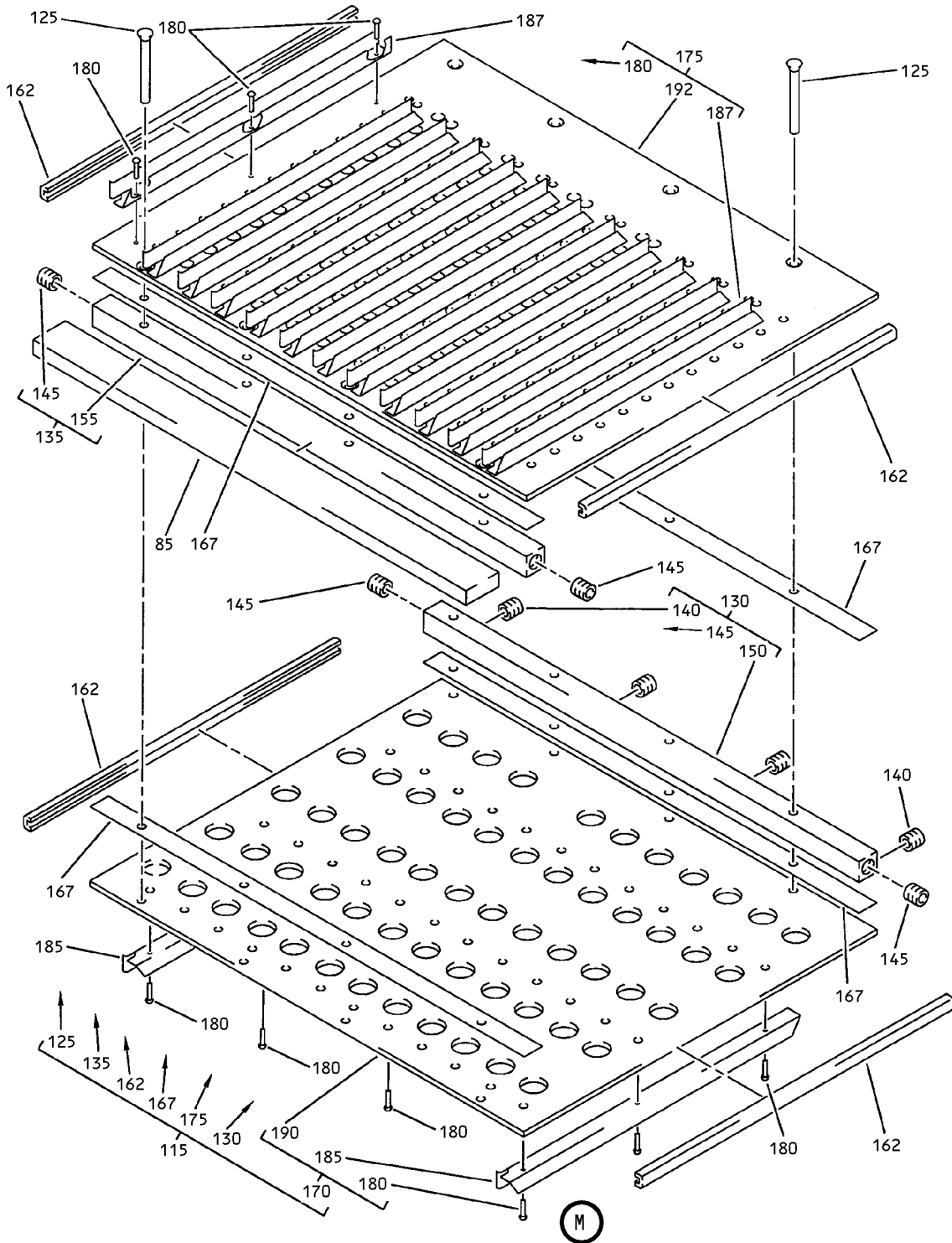
ILLUSTRATED PARTS LIST
01 Page 1084J
Nov 01/02



Electrical System Card File (ESCF) Assembly
 Figure 3 (Sheet 10)

25-71-01

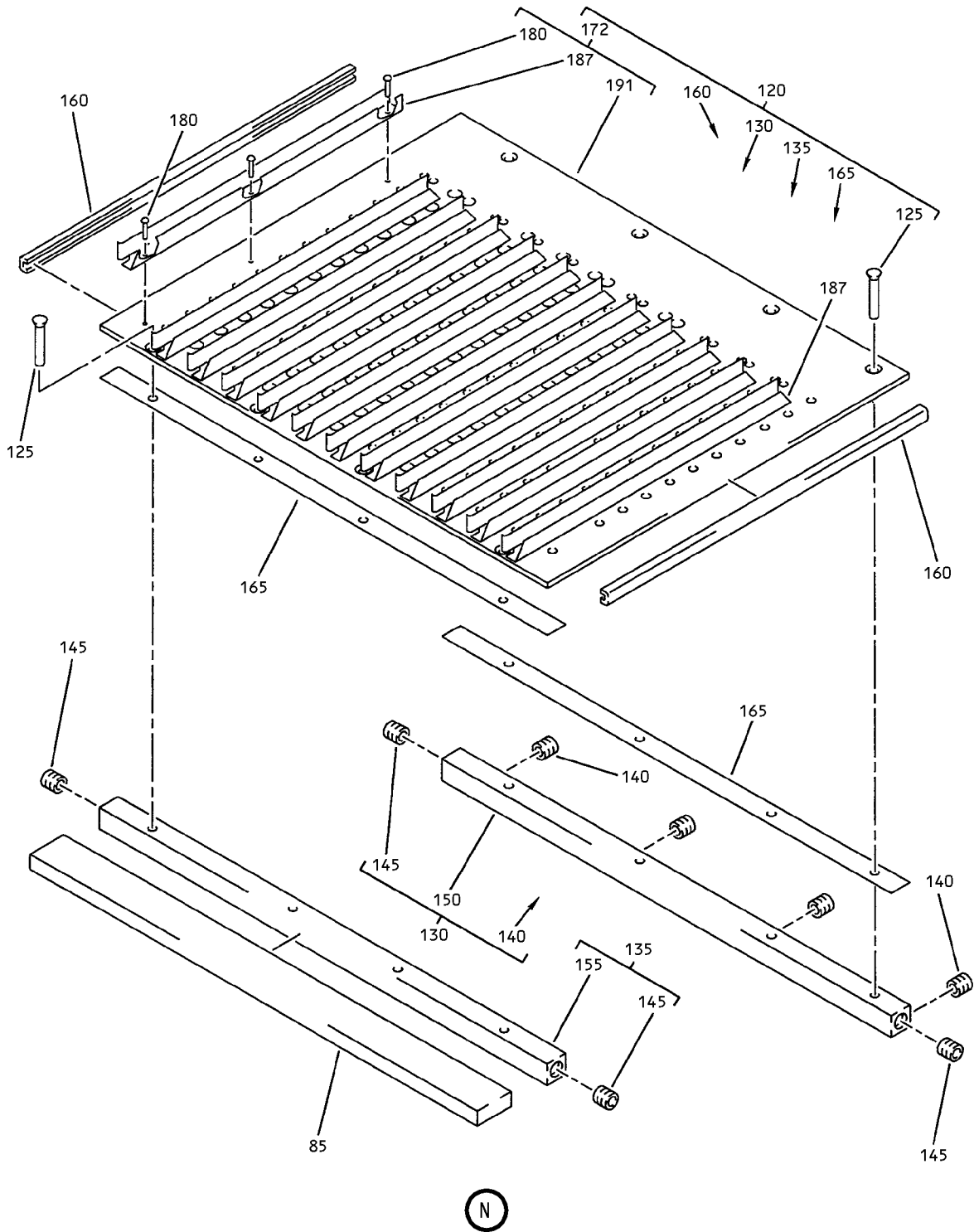
ILLUSTRATED PARTS LIST
 01 Page 1084K
 Nov 01/02



Electrical System Card File (ESCF) Assembly
 Figure 3 (Sheet 11)

25-71-01

ILLUSTRATED PARTS LIST
 01 Page 1084L
 Nov 01/02

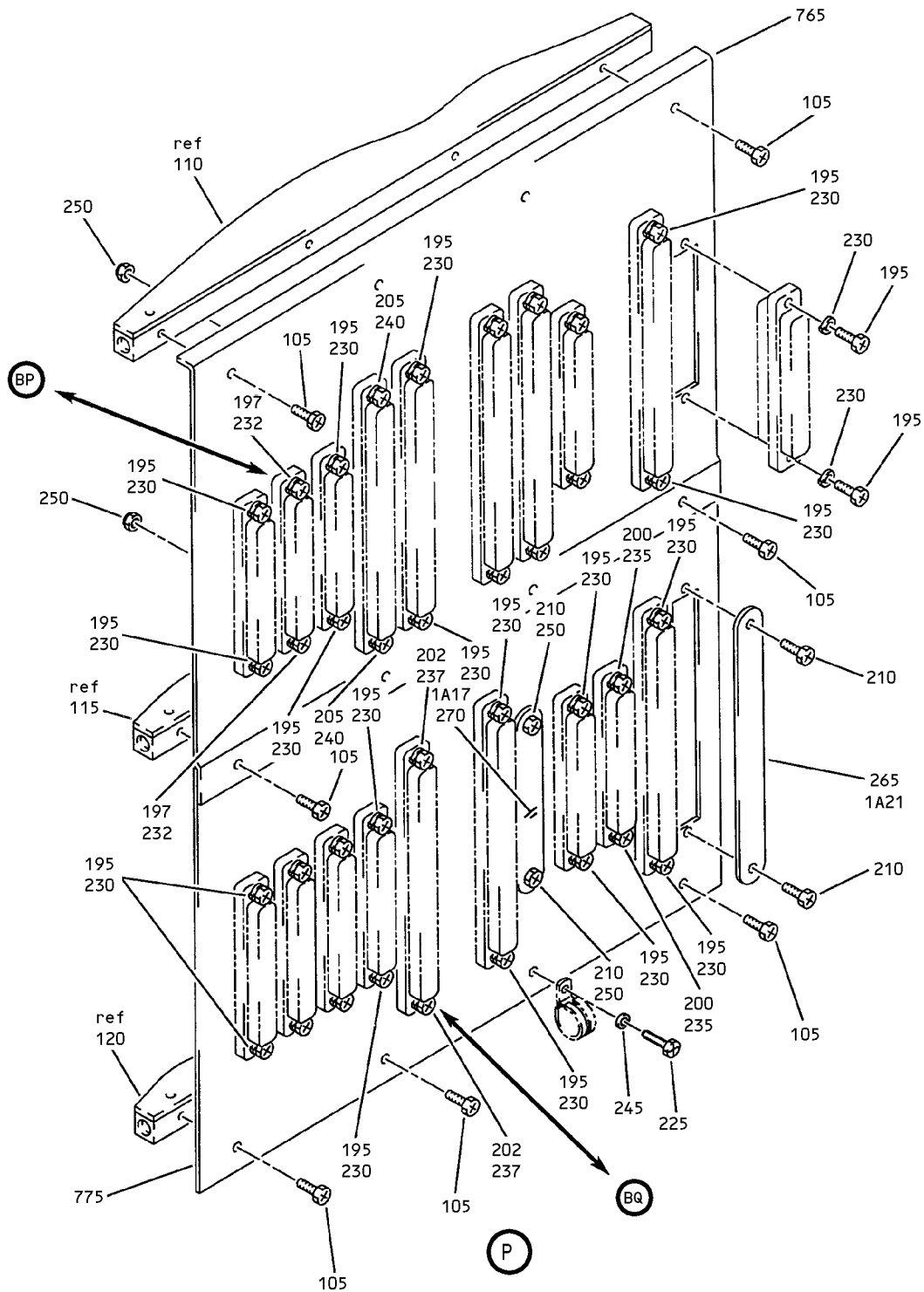


Electrical System Card File (ESCF) Assembly
 Figure 3 (Sheet 12)

25-71-01

ILLUSTRATED PARTS LIST
 01 Page 1084M
 Nov 01/02

MOD997

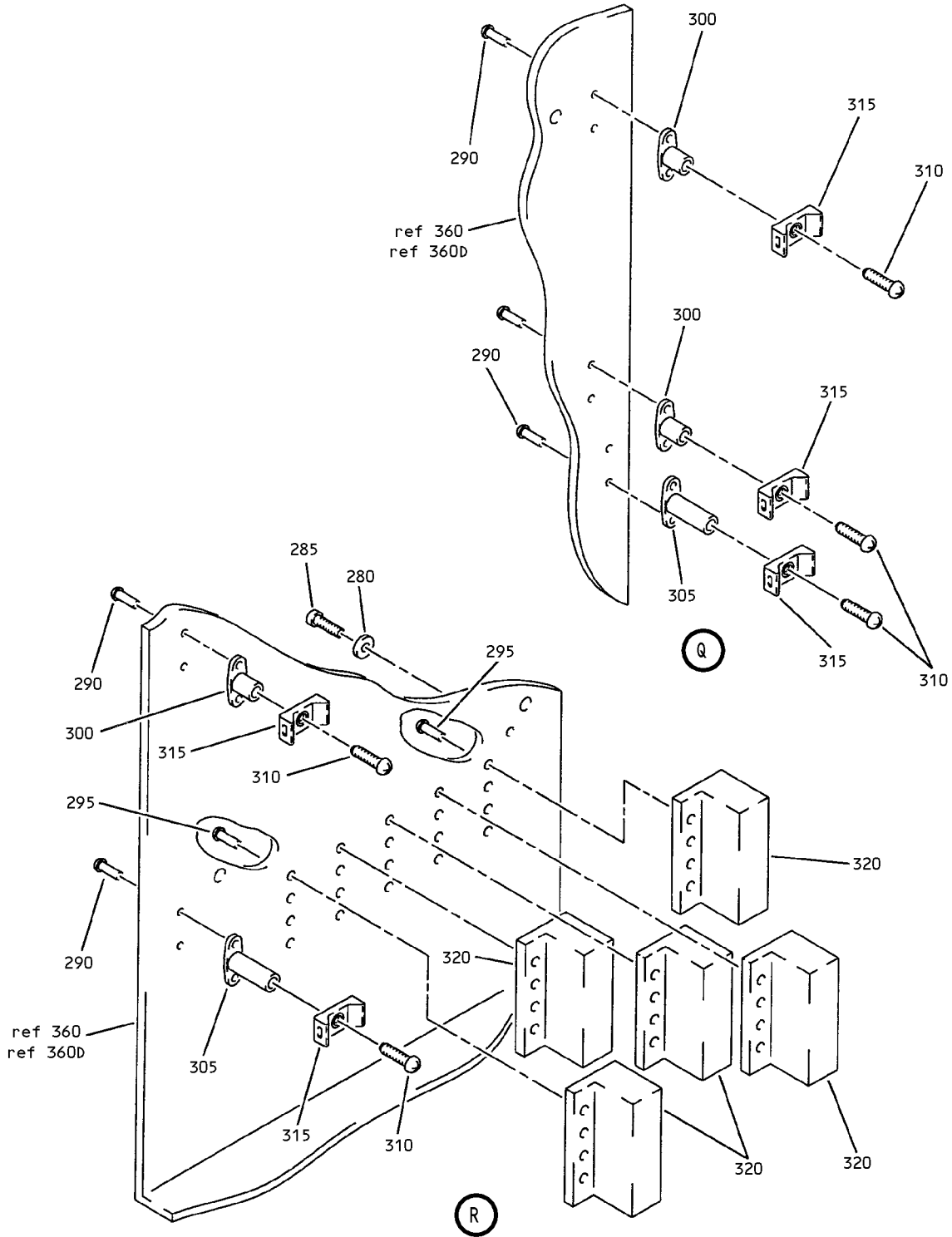


Electrical System Card File (ESCF) Assembly
 Figure 3 (Sheet 13)

25-71-01

ILLUSTRATED PARTS LIST
 01 Page 1084N
 Nov 01/02

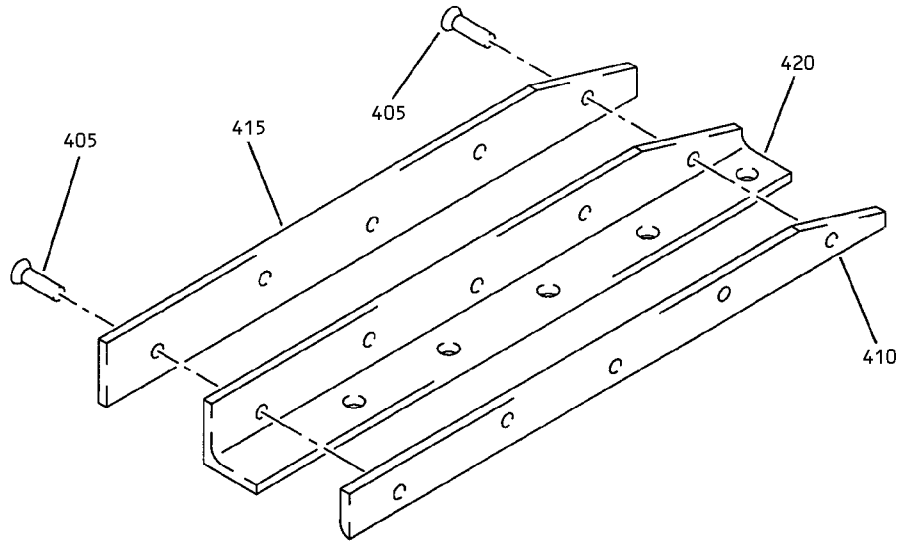
ND1037



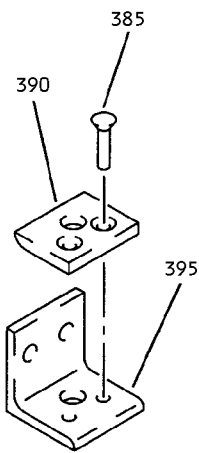
Electrical System Card File (ESCF) Assembly
Figure 3 (Sheet 14)

25-71-01

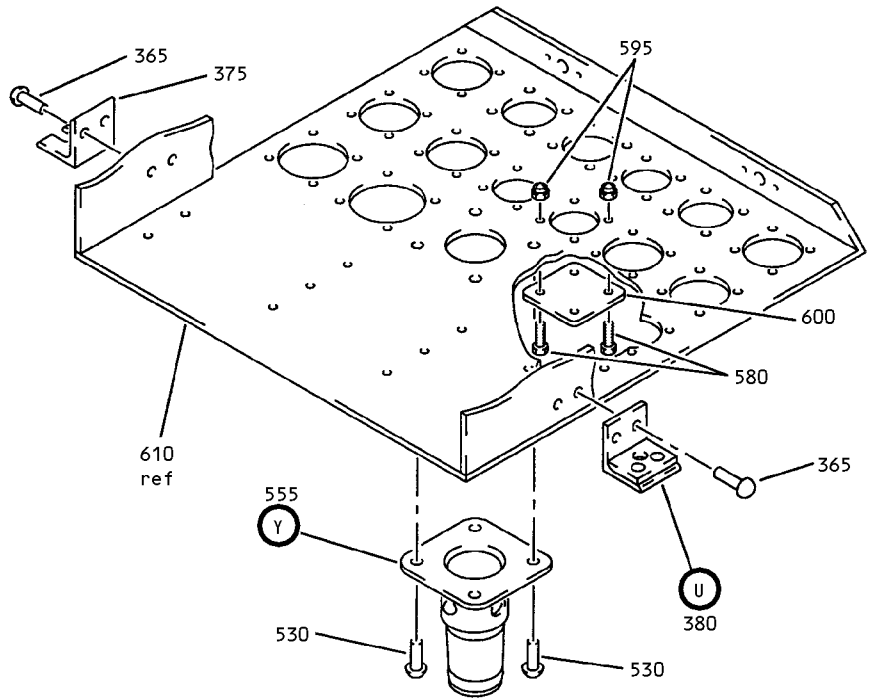
ILLUSTRATED PARTS LIST
01 Page 10840
Nov 01/02



(S)



(U)

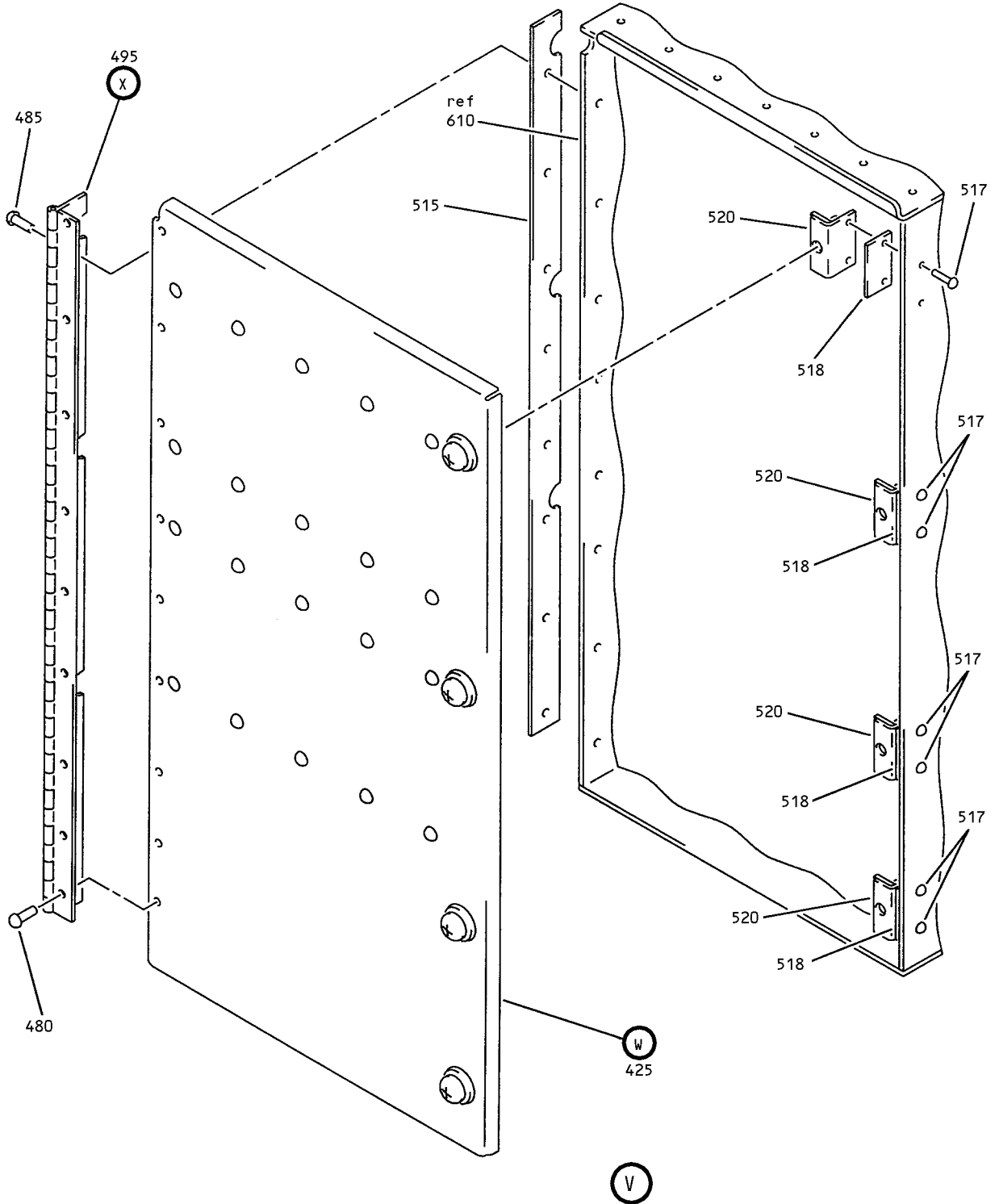


(T)

Electrical System Card File (ESCF) Assembly
 Figure 3 (Sheet 15)

25-71-01

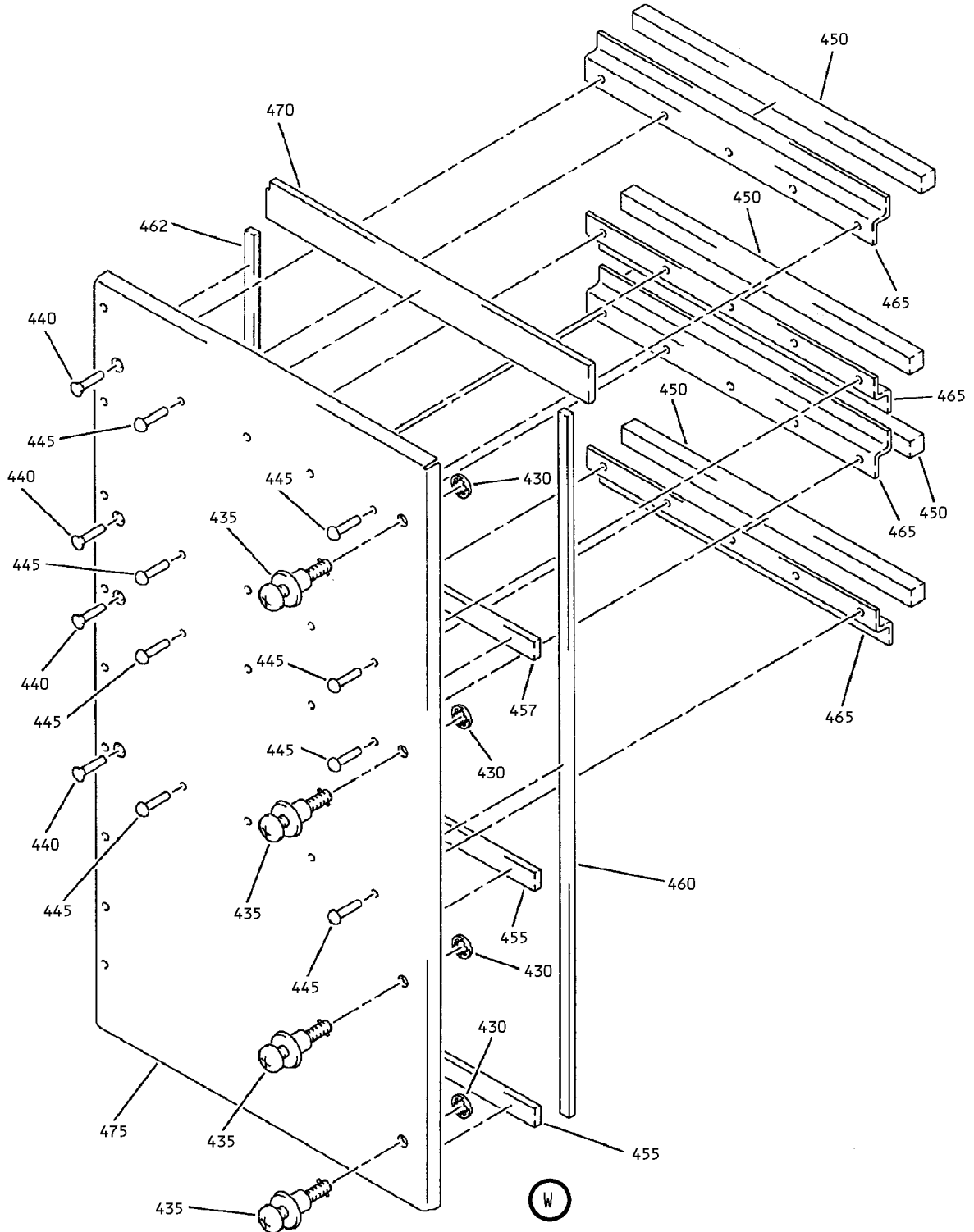
ILLUSTRATED PARTS LIST
 01 Page 1084P
 Nov 01/02



Electrical System Card File (ESCF) Assembly
Figure 3 (Sheet 16)

25-71-01

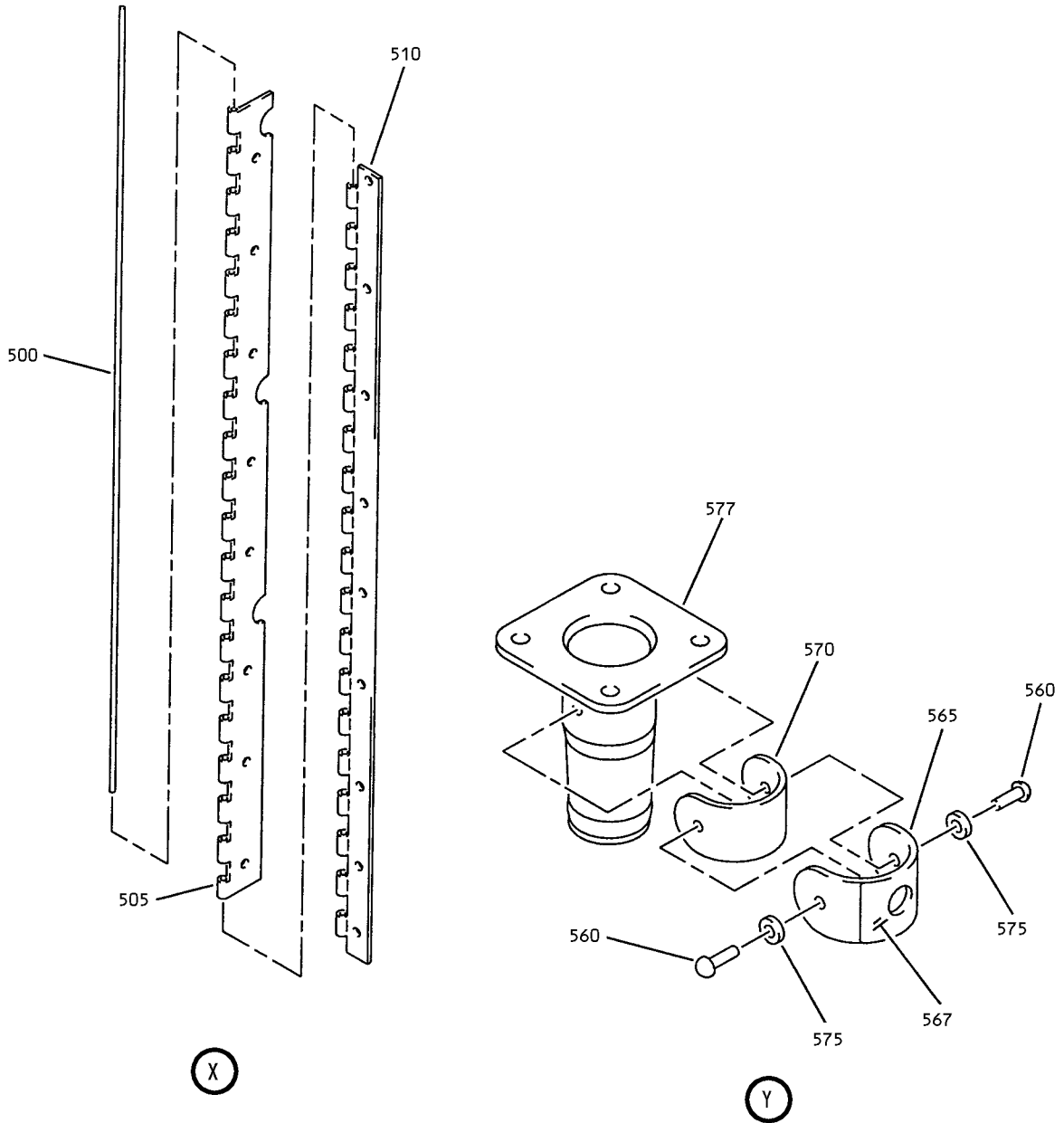
ILLUSTRATED PARTS LIST
01 Page 1084Q
Nov 01/02



Electrical System Card File (ESCF) Assembly
Figure 3 (Sheet 17)

25-71-01

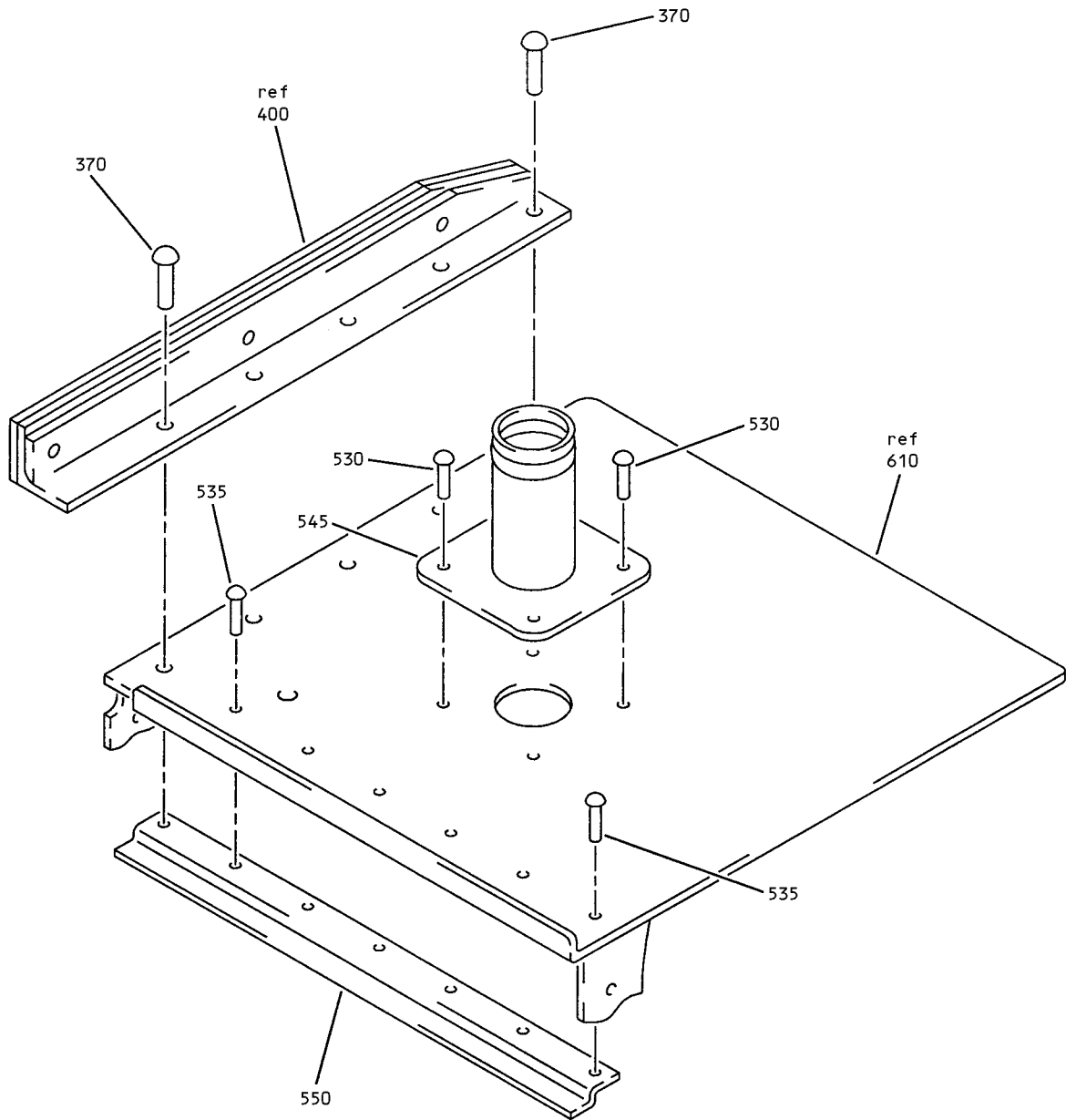
ILLUSTRATED PARTS LIST
01 Page 1084R
Nov 01/02



Electrical System Card File (ESCF) Assembly
Figure 3 (Sheet 18)

25-71-01

ILLUSTRATED PARTS LIST
01 Page 1084S
Nov 01/02

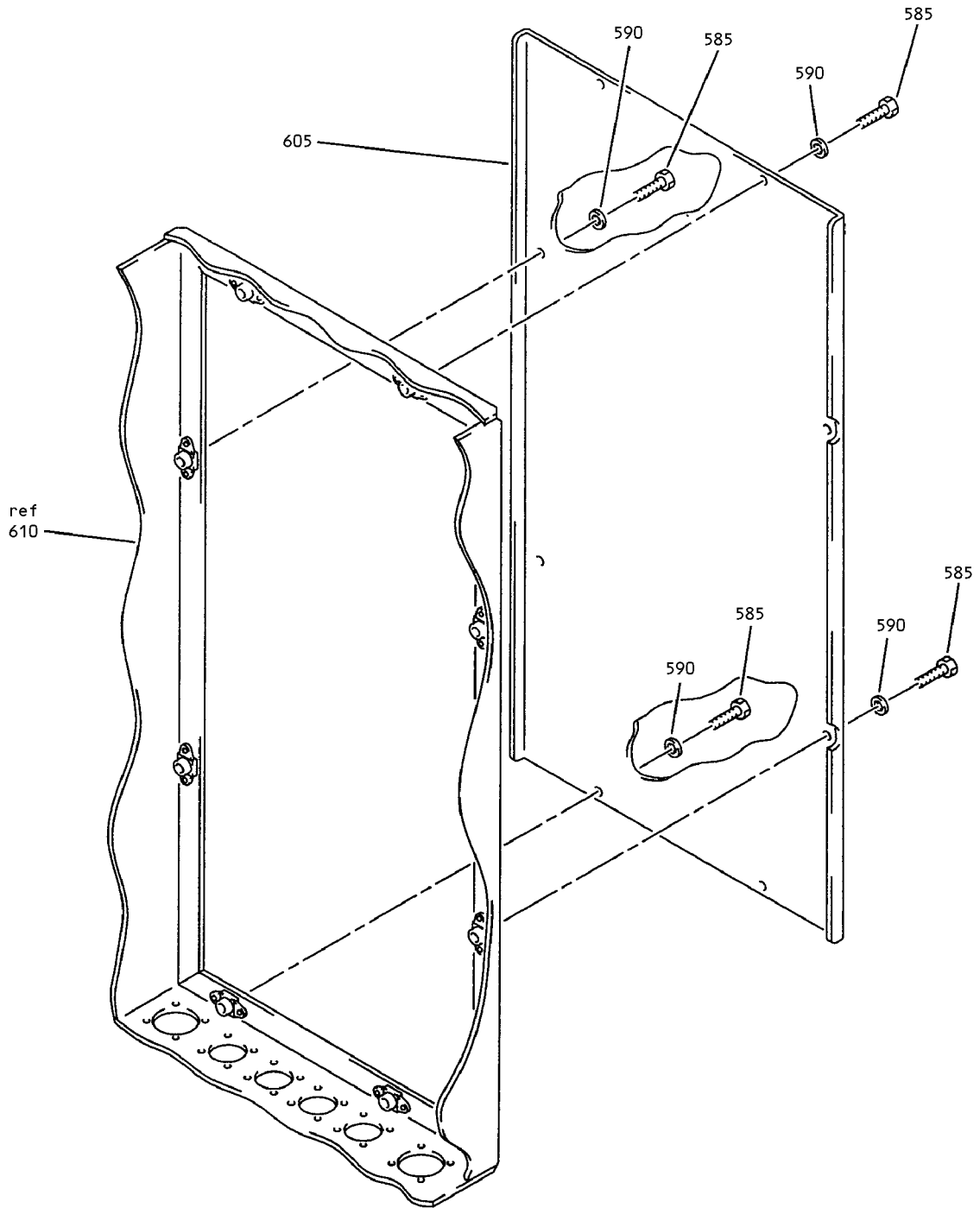


(Z)

Electrical System Card File (ESCF) Assembly
Figure 3 (Sheet 19)

25-71-01

ILLUSTRATED PARTS LIST
01 Page 1084T
Nov 01/02

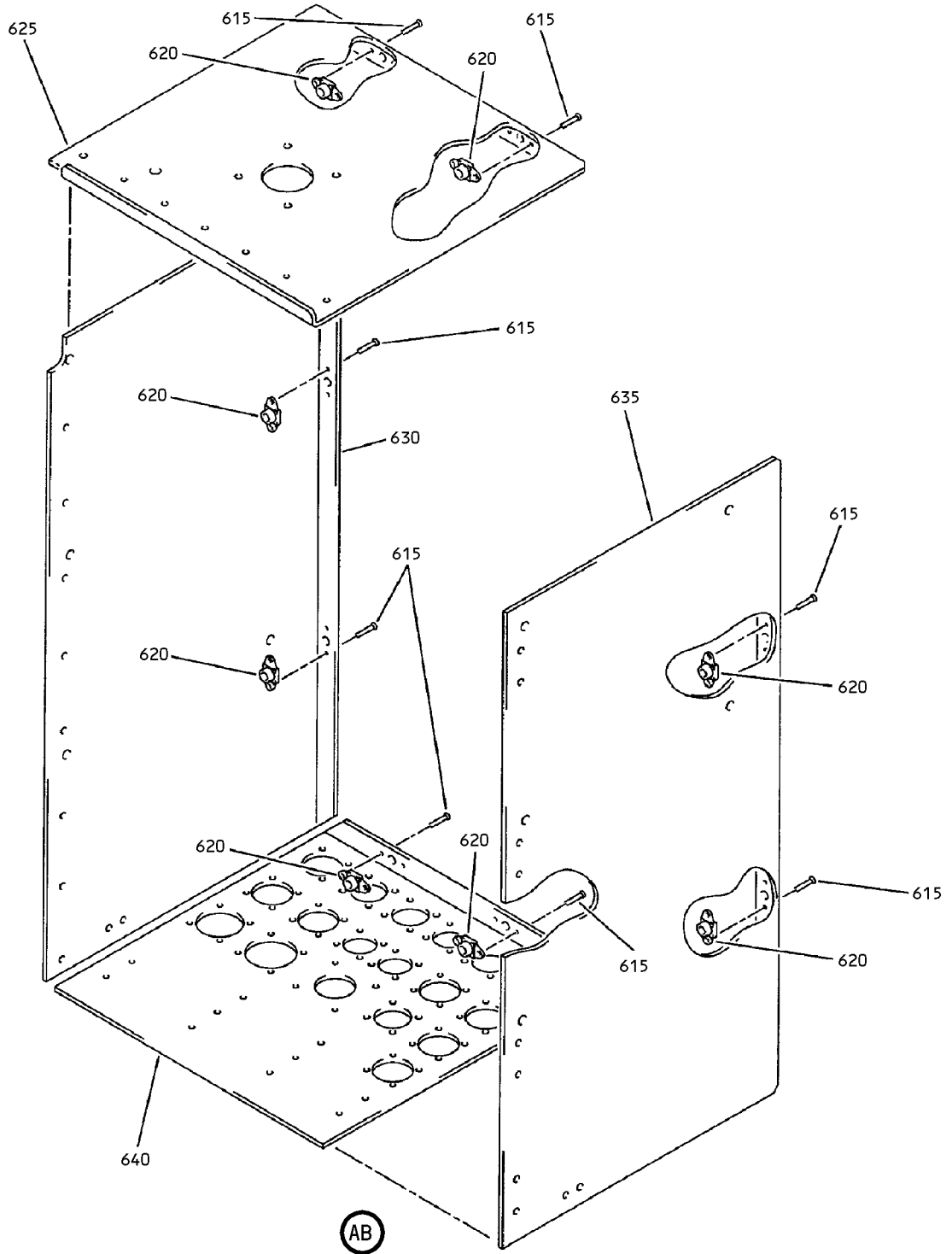


AA

Electrical System Card File (ESCF) Assembly
Figure 3 (Sheet 20)

25-71-01

ILLUSTRATED PARTS LIST
01 Page 1084U
Nov 01/02



Electrical System Card File (ESCF) Assembly
Figure 3 (Sheet 21)

25-71-01

ILLUSTRATED PARTS LIST
01 Page 1084V
Nov 01/02


710
745

73 74 75 76 77 78 79 80 81 82 83 84 85 86 87 88 89 90 91 92 93 94 95 96 97

39 40 41 42 43 44 45 46 47 48 49 50 51 52 53 54 55 56 57 58 59 60 61 62 63 64 65 66 67 68 69 70 71 72

1 2 3 4 5 6 7 8 9 10 11 12 13 14 15 16 17 18 19 20 21 22 23 24 25 26 27 28 29 30 31 32 33 34 35 36 37 38

AC



ATTENTION

THIS UNIT CONTAINS STATIC SENSITIVE DEVICES. CONNECT GROUNDING WRIST STRAP TO ELECTROSTATIC GROUND JACK LOCATED AT THE LOWER RIGHT HAND SIDE OF THIS UNIT.

720

BAC27TEX2017

AD

Electrical System Card File (ESCF) Assembly
Figure 3 (Sheet 22)

25-71-01

ILLUSTRATED PARTS LIST
01 Page 1084W
Nov 01/02

725



BAC27TEX1

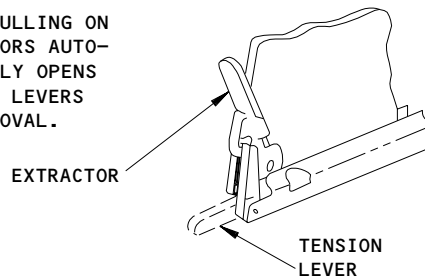
AE

730

**TO INSTALL PRINTED CIRCUIT
ASSEMBLIES IN CARD FILES:**

1. WITH TOP & BOTTOM CARD GUIDE TENSION LEVERS IN THE OPEN POSITION, SLIDE CARD ASSY INTO GUIDES UNTIL CONNECTOR IS MATED.
2. PRESS HARD ON BOTH EXTRACTORS TO BOTTOM OUT CONNECTOR
3. CLOSE TOP & BOTTOM CARD GUIDE TENSION LEVERS.

NOTE: PULLING ON EXTRACTORS AUTOMATICALLY OPENS TENSION LEVERS FOR REMOVAL.

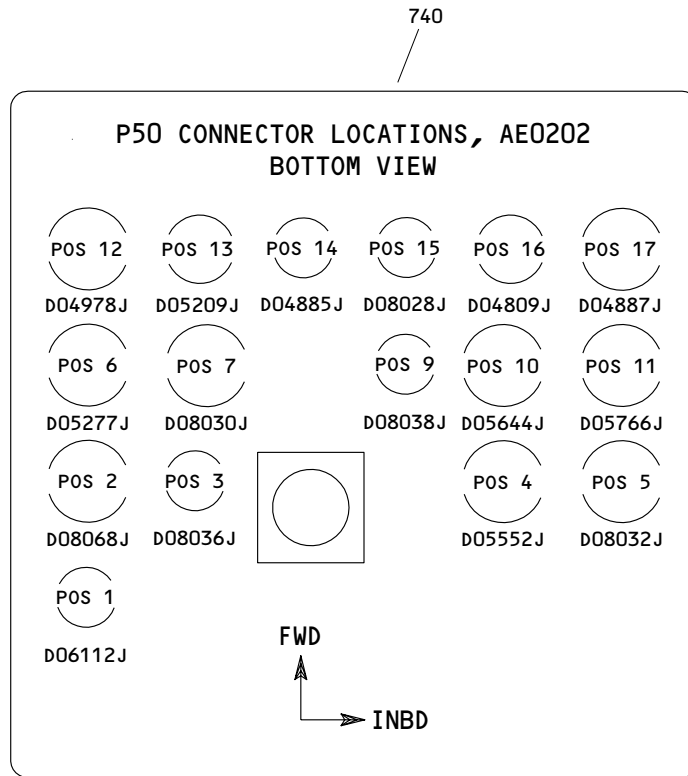
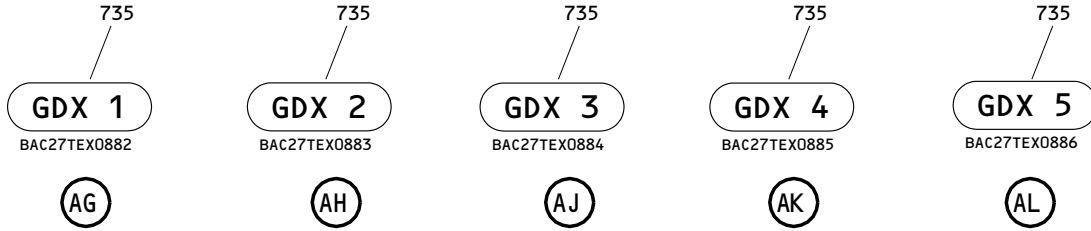


AF

Electrical System Card File (ESCF) Assembly
Figure 3 (Sheet 23)

25-71-01

ILLUSTRATED PARTS LIST
01 Page 1084X
Nov 01/02



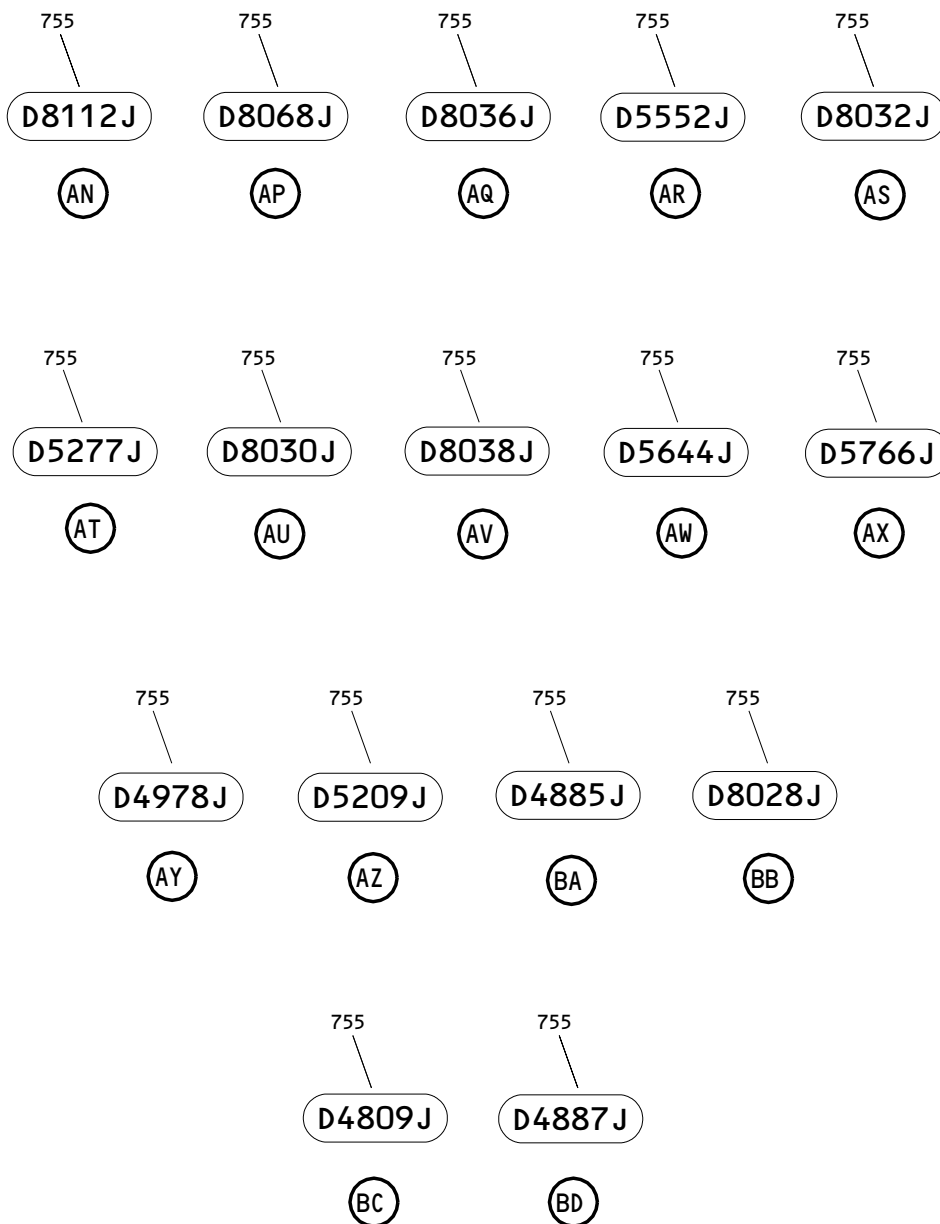
BAC27TEX2951

AM

Electrical System Card File (ESCF) Assembly
 Figure 3 (Sheet 24)

25-71-01

ILLUSTRATED PARTS LIST
 01 Page 1084Y
 Nov 01/02



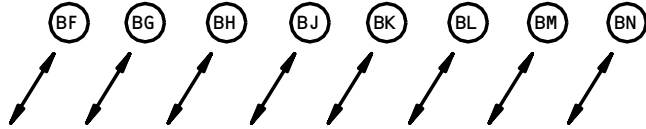
Electrical System Card File (ESCF) Assembly
Figure 3 (Sheet 25)

25-71-01

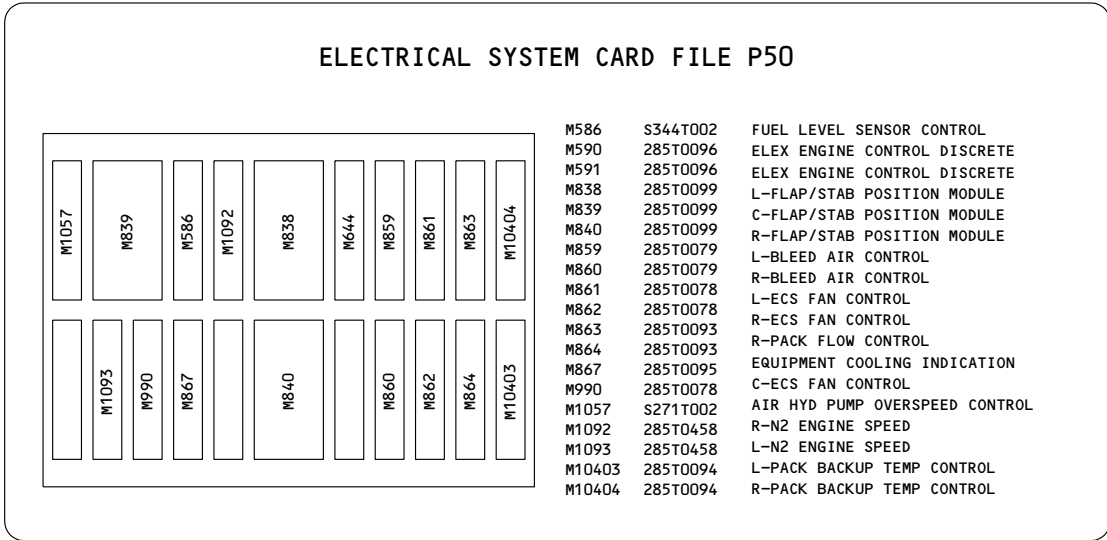
ILLUSTRATED PARTS LIST
01 Page 1084Z
Nov 01/02

BOEING

COMPONENT MAINTENANCE MANUAL

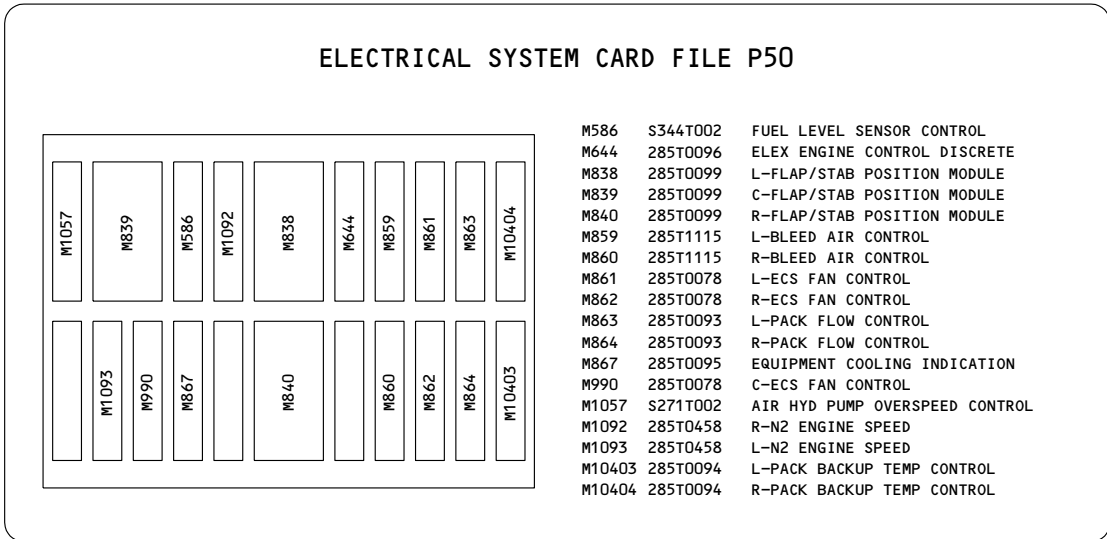


800



BAC27TEX3752M

805



BAC27TEX3752



Electrical System Card File (ESCF) Assembly
Figure 3 (Sheet 26)

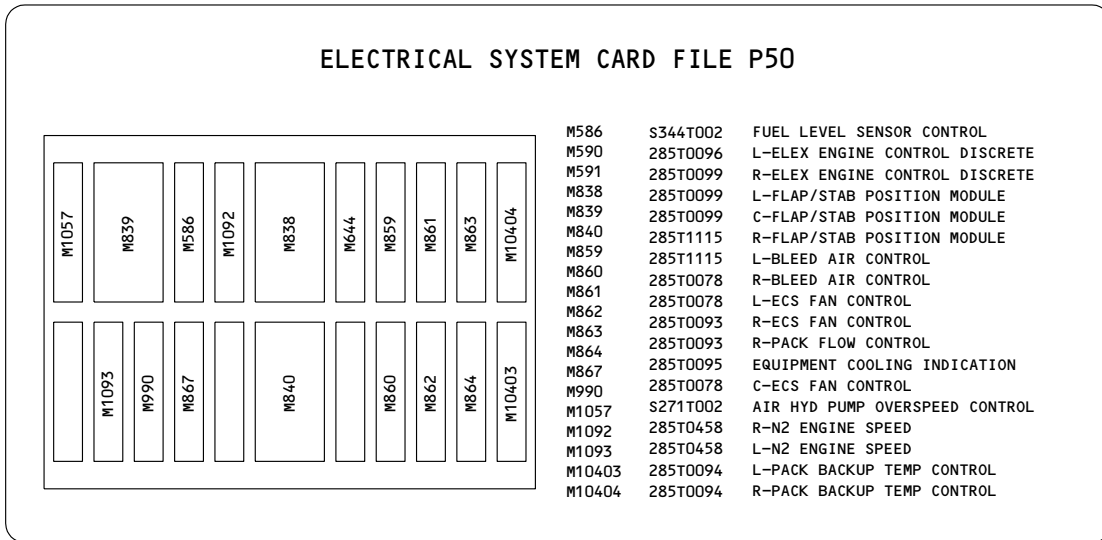
25-71-01

ILLUSTRATED PARTS LIST

01 Page 1085

Nov 01/02

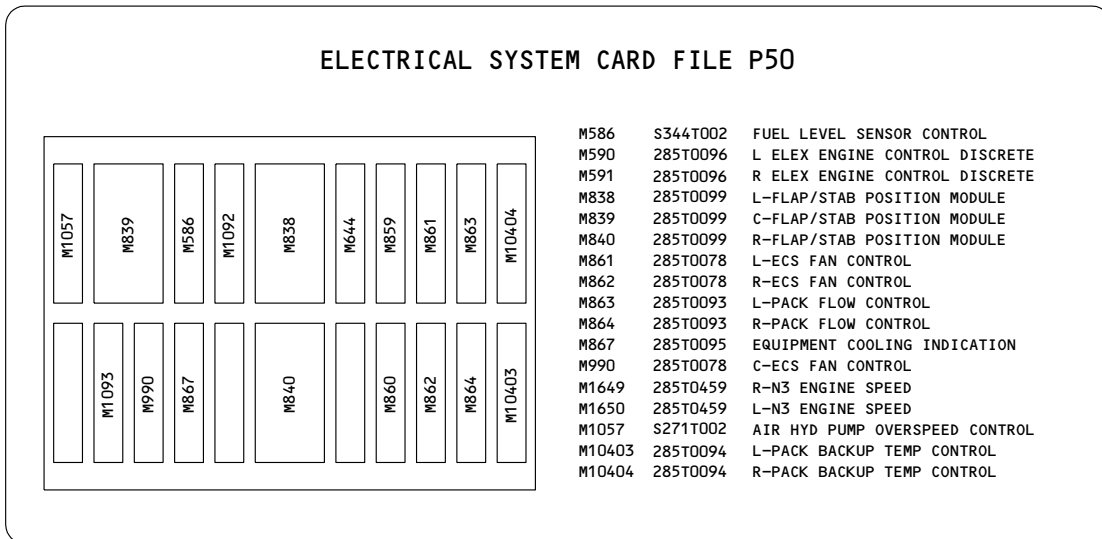
810



BAC27TEX3752M

815

BG



BAC27TEX3752M

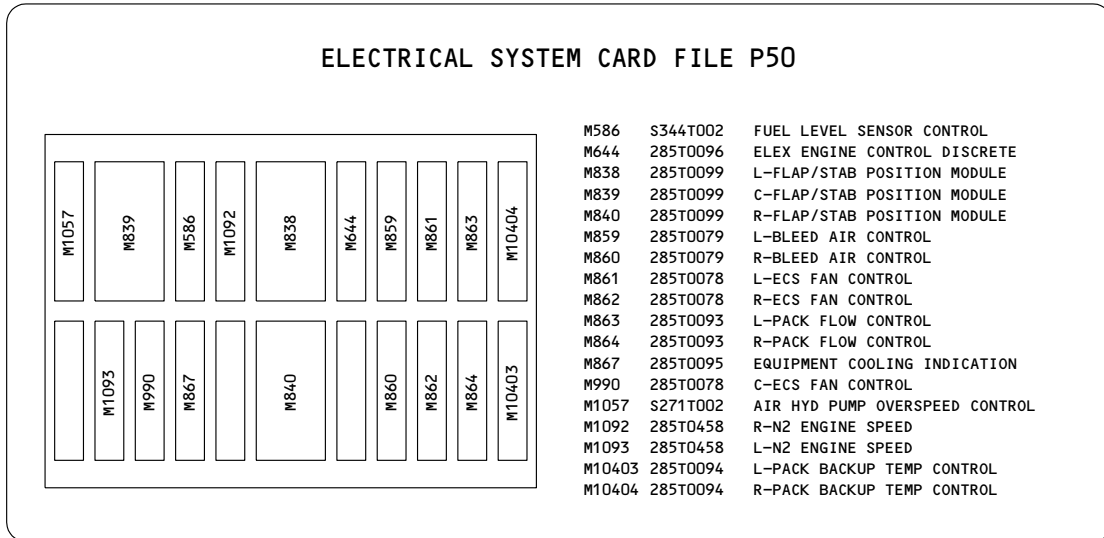
BH

Electrical System Card File (ESCF) Assembly
 Figure 3 (Sheet 27)

25-71-01

ILLUSTRATED PARTS LIST
 01 Page 1086
 Nov 01/02

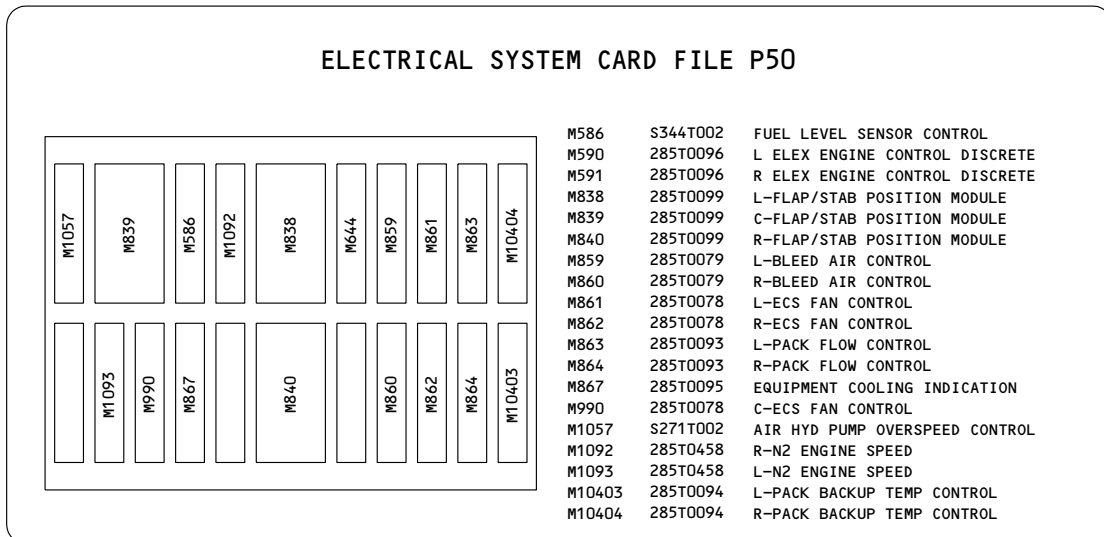
820



BAC27TEX3752

BJ

825



BAC27TEX3752M

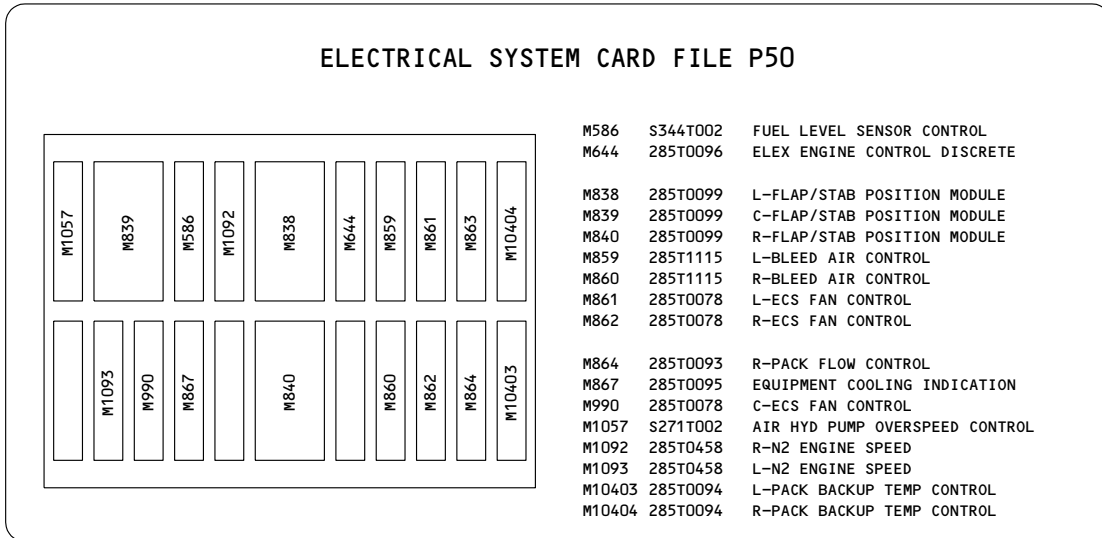
BK

Electrical System Card File (ESCF) Assembly
 Figure 3 (Sheet 28)

25-71-01

ILLUSTRATED PARTS LIST
 01 Page 1086A
 Nov 01/02

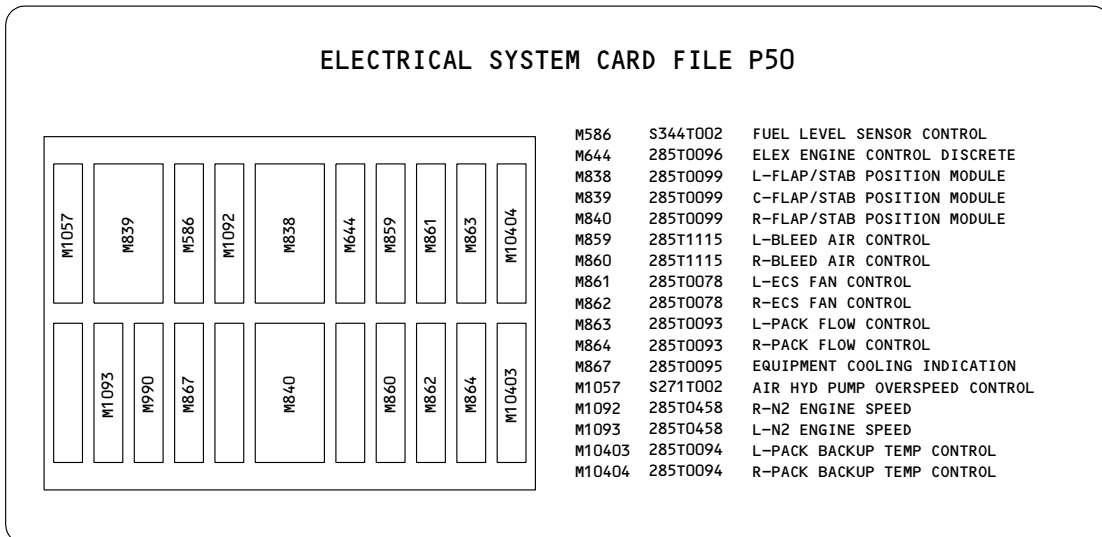
830



BAC27TEX3752

BL

835



BAC27TEX3752M

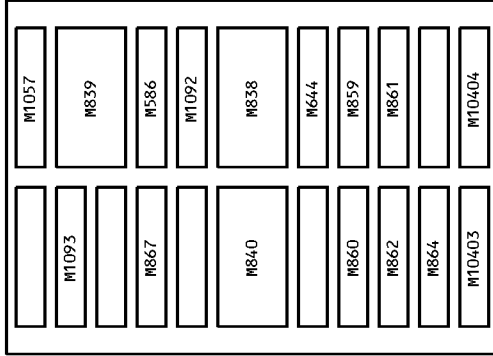
BM

Electrical System Card File (ESCF) Assembly
 Figure 3 (Sheet 29)

25-71-01

ILLUSTRATED PARTS LIST
 01 Page 1086B
 Nov 01/02

ELECTRICAL SYSTEM CARD FILE P50

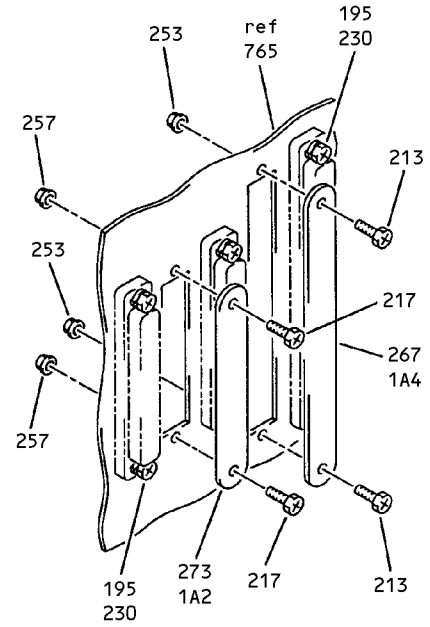
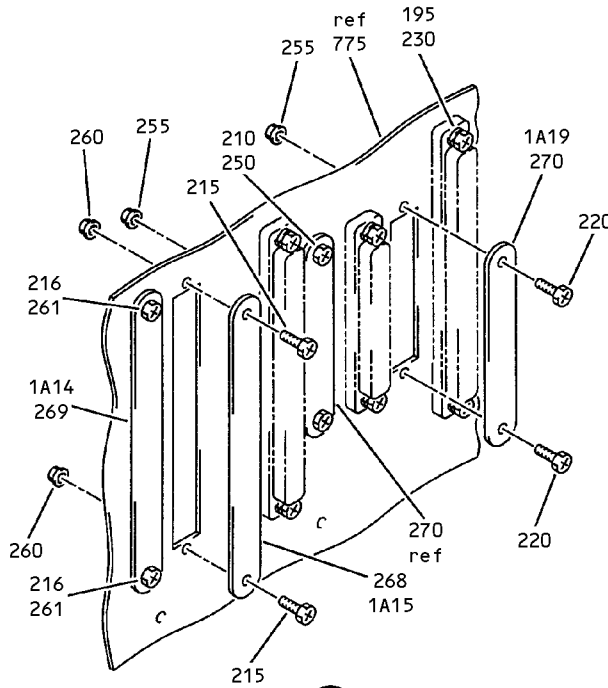


| | | |
|--------|------------------|--------------------------------|
| M586 | S344T002 | FUEL LEVEL SENSOR CONTROL |
| M644 | 285T0096285E0099 | ENGINE CONTROL DISCRETE |
| M838 | 285T0099 | L-FLAP/STAB POSITION MODULE |
| M839 | 285T0099 | C-FLAP/STAB POSITION MODULE |
| M840 | 285T1115 | R-FLAP/STAB POSITION MODULE |
| M859 | 285T1115 | L-BLEED AIR CONTROL |
| M860 | 285T0078 | R-BLEED AIR CONTROL |
| M861 | 285T0078 | L-ECS FAN CONTROL |
| M862 | 285T0093 | R-ECS FAN CONTROL |
| M864 | 285T0095 | R-PACK FLOW CONTROL |
| M867 | S271T002 | EQUIPMENT COOLING INDICATION |
| M1057 | 285T0458 | AIR HYD PUMP OVERSPEED CONTROL |
| M1092 | 285T0458 | R-N2 ENGINE SPEED |
| M1093 | 285T0094 | L-N2 ENGINE SPEED |
| M10403 | 285T0094 | L-PACK BACKUP TEMP CONTROL |
| M10404 | 285T0094 | R-PACK BACKUP TEMP CONTROL |

BAC27TEX4322M

BN

840

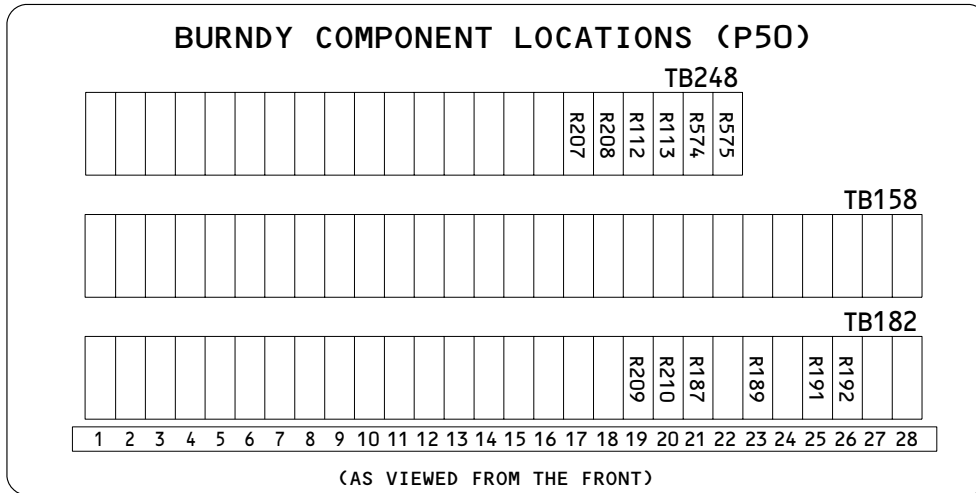
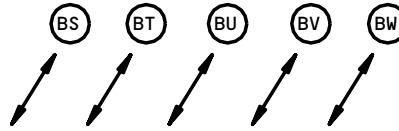


Electrical System Card File (ESCF) Assembly
 Figure 3 (Sheet 30)

25-71-01

ILLUSTRATED PARTS LIST
 01 Page 1086C
 Nov 01/02

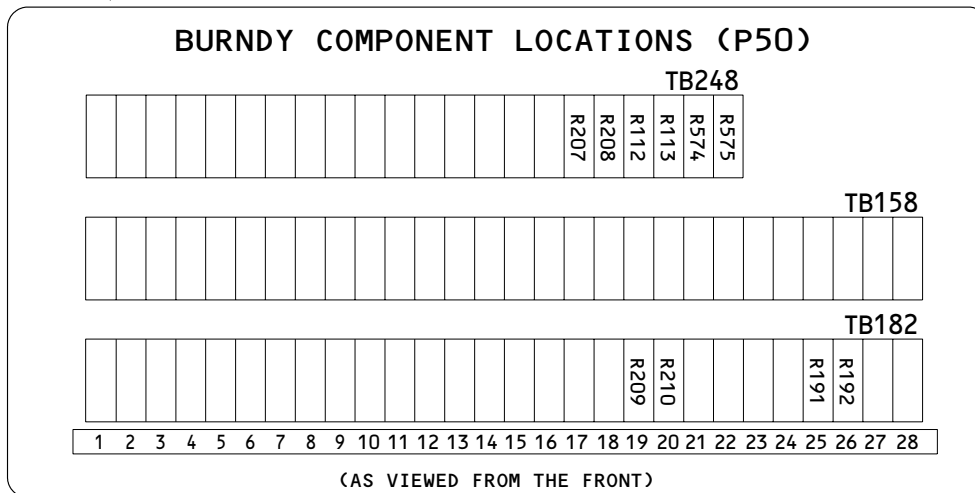
930



BAC27TEX4413

BR

850



BAC27TEX4414

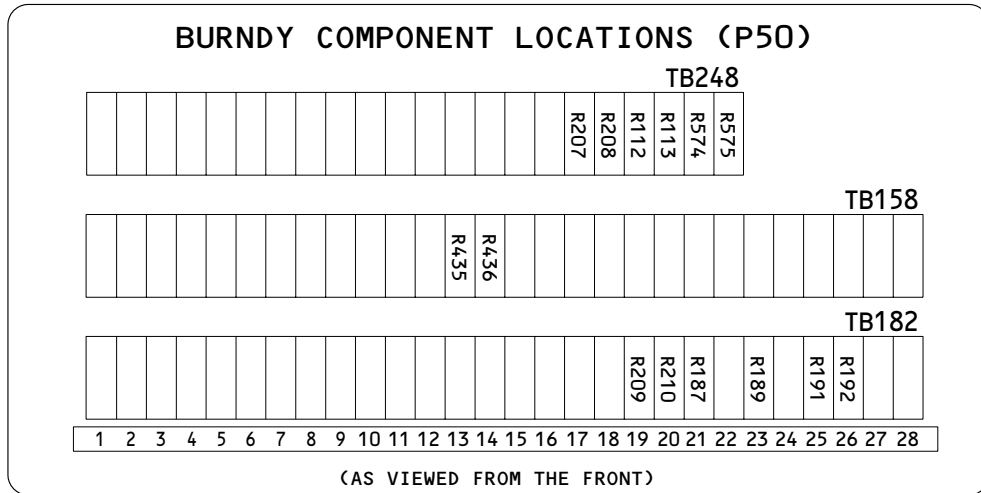
BS

Electrical System Card File (ESCF) Assembly
 Figure 3 (Sheet 31)

25-71-01

ILLUSTRATED PARTS LIST
 01 Page 1086D
 Nov 01/02

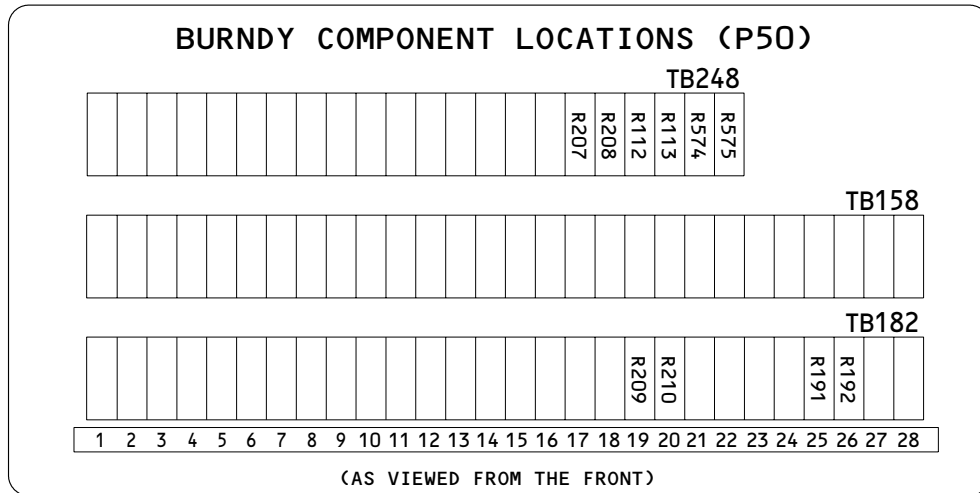
855



BAC27TEX4413

BT

860



BAC27TEX4414

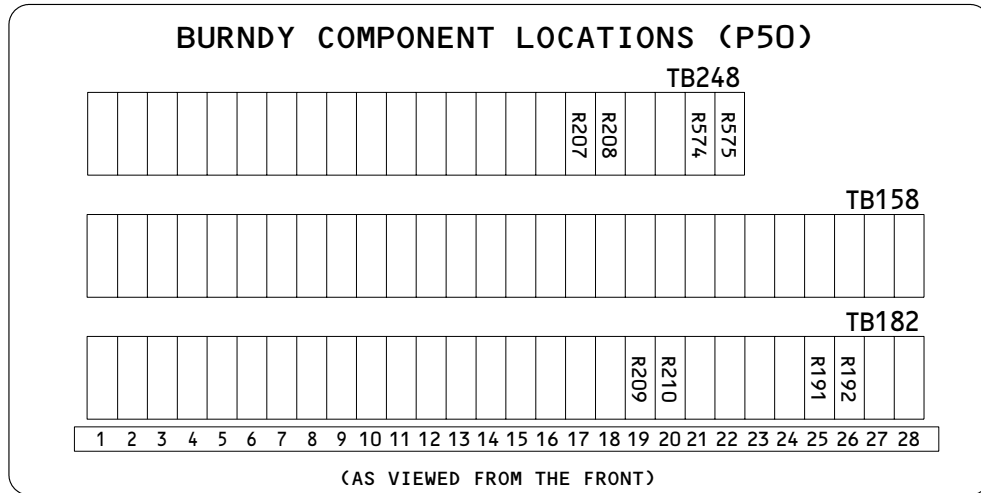
BU

Electrical System Card File (ESCF) Assembly
 Figure 3 (Sheet 32)

25-71-01

ILLUSTRATED PARTS LIST
 01 Page 1086E
 Nov 01/02

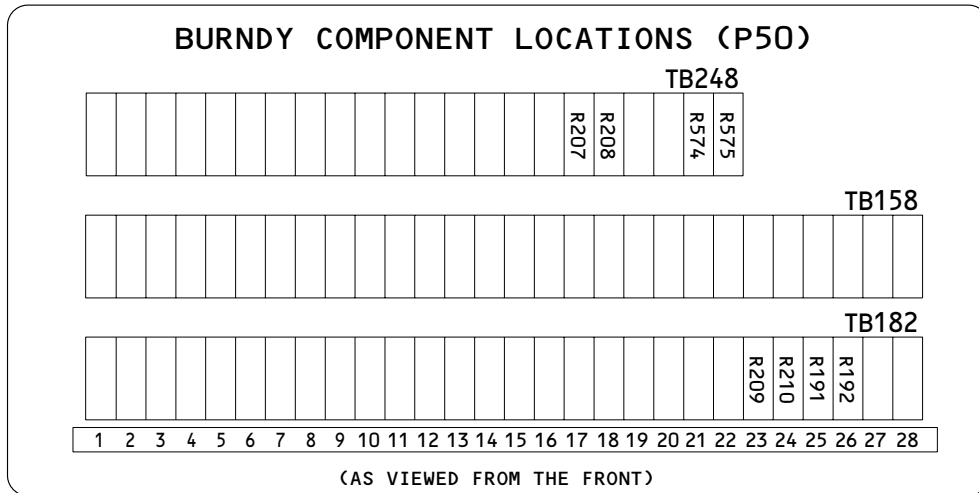
865



BAC27TEX4413M

(BV)

870



BAC27TEX4414M

(BW)

Electrical System Card File (ESCF) Assembly
 Figure 3 (Sheet 33)

25-71-01

ILLUSTRATED PARTS LIST
 01 Page 1086F
 Nov 01/02


BOEING
 COMPONENT
 MAINTENANCE MANUAL

| FIG. & ITEM | PART NO. | AIRLINE PART NUMBER | NOMENCLATURE 1234567 | EFF CODE | QTY PER ASSY |
|-------------|--------------|---------------------|-------------------------|----------|--------------|
| 03- | | | | | |
| -1A | 285T0006-67 | | CARD FILE ASSY | AH | 1 |
| -1B | 285T0006-68 | | CARD FILE ASSY | AJ | 1 |
| -1C | 285T0006-69 | | CARD FILE ASSY | AK | 1 |
| -1D | 285T0006-70 | | CARD FILE ASSY | AL | 1 |
| -1E | 285T0006-71 | | CARD FILE ASSY | AM | 1 |
| -1F | 285T0006-72 | | CARD FILE ASSY | AN | 1 |
| -1G | 285T0006-74 | | CARD FILE ASSY | AP | 1 |
| -1H | 285T0006-75 | | CARD FILE ASSY | AQ | 1 |
| -1J | 285T0006-76 | | CARD FILE ASSY | AR | 1 |
| -1K | 285T0006-77 | | CARD FILE ASSY | AS | 1 |
| -1L | 285T0006-79 | | CARD FILE ASSY | AT | 1 |
| -1M | 285T0006-81 | | CARD FILE ASSY | AU | 1 |
| -1N | 285T0006-82 | | CARD FILE ASSY | AV | 1 |
| -1P | 285T0006-83 | | CARD FILE ASSY | AW | 1 |
| -1Q | 285T0006-84 | | CARD FILE ASSY | AX | 1 |
| -1R | 285T0006-85 | | CARD FILE ASSY | AY | 1 |
| -1S | 285T0006-86 | | CARD FILE ASSY | AZ | 1 |
| -1T | 285T0006-87 | | CARD FILE ASSY | BA | 1 |
| -1U | 285T0006-100 | | CARD FILE ASSY | BG | 1 |
| -1V | 285T0006-101 | | CARD FILE ASSY | BH | 1 |
| -1W | 285T0006-107 | | CARD FILE ASSY | BJ | 1 |
| -1X | 285T0006-108 | | CARD FILE ASSY | BK | 1 |
| -1Y | 285T0006-109 | | CARD FILE ASSY | BL | 1 |
| -1Z | 285T0006-110 | | CARD FILE ASSY | BM | 1 |
| -2 | 285T0006-112 | | CARD FILE ASSY | BN | 1 |
| -2A | 285T0006-113 | | CARD FILE ASSY | BP | 1 |
| -2B | 285T0006-114 | | CARD FILE ASSY | BQ | 1 |
| -2C | 285T0006-115 | | CARD FILE ASSY | BR | 1 |
| -2D | 285T0006-116 | | CARD FILE ASSY | BS | 1 |
| -2E | 285T0006-118 | | CARD FILE ASSY | BU | 1 |
| -2F | 285T0006-119 | | CARD FILE ASSY | BV | 1 |
| -2G | 285T0006-120 | | CARD FILE ASSY | BW | 1 |
| -2H | 285T0006-121 | | CARD FILE ASSY | BX | 1 |
| -2J | 285T0006-122 | | CARD FILE ASSY | BY | 1 |
| -2K | 285T0006-126 | | CARD FILE ASSY | BZ | 1 |
| -2L | 285T0006-127 | | CARD FILE ASSY | CA | 1 |
| -2M | 285T0006-128 | | CARD FILE ASSY | CB | 1 |
| -2N | 285T0006-129 | | CARD FILE ASSY | CC | 1 |
| -2P | 285T0006-130 | | CARD FILE ASSY | CD | 1 |
| -2Q | 285T0006-131 | | CARD FILE ASSY | CE | 1 |
| -2R | 285T0006-132 | | CARD FILE ASSY | CF | 1 |
| -2S | 285T0006-133 | | CARD FILE ASSY | CG | 1 |

25-71-01

ILLUSTRATED PARTS LIST

01 Page 1086G

Nov 01/02

| FIG. & ITEM | PART NO. | AIRLINE PART NUMBER | NOMENCLATURE 1234567 | EFF CODE | QTY PER ASSY |
|-------------|---------------|---------------------|--|---|--------------|
| 03- -5 | 285T0006-7001 | | . COLLECTOR ASSY-PART | AH-AK ,AM-A P,AR, AS | 1 |
| -5A | 285T0006-7002 | | . COLLECTOR ASSY-PART | AU-AY ,BA,B G-BK | 1 |
| -5B | 285T0006-7003 | | . COLLECTOR ASSY-PART | AT | 1 |
| -5C | 285T0006-7004 | | . COLLECTOR ASSY-PART | BL | 1 |
| -5D | 285T0006-7005 | | . COLLECTOR ASSY-PART | BM | 1 |
| -5E | 285T0006-7006 | | . COLLECTOR ASSY-PART | AL,AQ ,AZ,B Q-BS, BW | 1 |
| -5F | 285T0006-7007 | | . COLLECTOR ASSY-PART | BX | 1 |
| -5G | 285T0006-7008 | | . COLLECTOR ASSY-PART | BZ,CG | 1 |
| -5H | 285T0006-7009 | | . COLLECTOR ASSY-PART | BN,BP ,BU,B V,BY, CA-CD ,CF | 1 |
| -5J | 285T0006-7010 | | . COLLECTOR ASSY-PART | CE | 1 |
| 10 | VNS1924CA1-8 | | .. STUD- (V5M902) (SPEC BACS53B1AE1) (OPT VNS1924CA3-1-8 (V92215)) | AH-BA ,BG-B S,B U-CG | 1 |
| 15 | NAS1801-06-5 | | .. SCREW | AH-BA ,BG-B S,B U-CG | 8 |
| 20 | NAS1801-04-5 | | .. SCREW | AH-BA ,BG-B S,B U-CG | 56 |

25-71-01

ILLUSTRATED PARTS LIST

01 Page 1086H

Nov 01/02


BOEING
 COMPONENT
 MAINTENANCE MANUAL

| FIG. & ITEM | PART NO. | AIRLINE PART NUMBER | NOMENCLATURE 1234567 | EFF CODE | QTY PER ASSY |
|-------------|---------------|---------------------|--|--|--------------|
| 03-25 | NAS1801-04-6 | | ..SCREW | AH-BA ,BG-B S,B U-CG | 11 |
| 30 | NAS620A6L | | ..WASHER | AH-BA ,BG-B S,B U-CG | AR |
| 35 | NAS620A4L | | ..WASHER | AH-BA ,BG-B S,B U-CG | AR |
| 40 | AN960JD4L | | ..WASHER | AH-AM ,AP-A V,A X-BA, BG,BH BK-BS ,BU-C G | 11 |
| -40A | NAS1149DN416H | | ..WASHER | AN,AW ,BJ | 11 |
| 45 | MS21042L06 | | ..NUT | AH-AS ,AU- BA,B G-BS, BU-CG | 8 |
| -45A | H10-06BAC | | ..NUT- (V15653) (SPEC BACN10JC06) (OPT RMLH9075-62W (V72962)) (OPT VN303A62 (V92215)) (OPT 96-62 (V80539)) (OPT NS202101-62 (V80539)) (OPT T6S632J (V11815)) (OPT BRH10A06 (V52828)) | AT | 8 |

25-71-01

ILLUSTRATED PARTS LIST

01 Page 1086I

Nov 01/02

| FIG. & ITEM | PART NO. | AIRLINE PART NUMBER | NOMENCLATURE 1234567 | EFF CODE | QTY PER ASSY |
|-------------|------------|---------------------|--|---|--------------|
| 03-50 | MS21042L04 | | ..NUT | AH-AS ,AU- BA,B G-BS, BU-CG | 56 |
| -50A | H10-04BAC | | ..NUT- (V15653) (SPEC BACN10JC04) (OPT NS202101-40 (V80539)) (OPT RMLH9075-40W (V72962)) (OPT VN303A40 (V92215)) (OPT 96-40 (V80539)) (OPT BRH10A04 (V52828)) (OPT T6S440J (V11815)) | AT | 56 |
| 55 | MS21042L04 | | ..NUT | AH-BA ,BG-B S,B U-CG | 11 |
| 60 | AMMC6 | | ..CLAMP ASSY- (V09922) (SPEC BACC49A1) (OPT FAB278 (V15805)) (OPT H28-1 (V34941)) (OPT UP103 (V6E102)) | AH-BA ,BG-B S,B U-CG | 6 |
| 65 | AMY0940T5 | | ..TRACK- (V09922) (SPEC BACT44B0940U) | AH-BA ,BG-B M,B Q-BS, BW,BX | 2 |

25-71-01

ILLUSTRATED PARTS LIST

01 Page 1086J

Nov 01/02


BOEING
 COMPONENT
 MAINTENANCE MANUAL

| FIG. & ITEM | PART NO. | AIRLINE PART NUMBER | NOMENCLATURE 1234567 | EFF CODE | QTY PER ASSY |
|-------------|--------------|---------------------|--|---|--------------|
| 03-70 | AMY0770T5 | | ..TRACK- (V09922) (SPEC BACT44B0770U) | AH-BA ,BG-B M,B Q-BS, BW,BX | 1 |
| 75 | YHLZD30 | | ..DIODE- (V09922) (R112, R113, R191, R192, R207-R210) | AH-BA ,BG-B S,B U-CG | 6 |
| 80 | YHLZD30 | | ..DIODE- (V09922) (R112, R113) | AH-BA ,BG-B K,B N-BS, BU-CG | 2 |
| 85 | 285T0006-5 | | ..SEAL | AH-BA ,BG-B S,B U-CG | 3 |
| 90 | 285T0018-7 | | ..SEAL | AH-BA ,BG-B S,B U-CG | 2 |
| 95 | 285T0018-6 | | ..SEAL | AH-BA ,BG-B S,B U-CG | 2 |
| 100 | 285T0006-4 | | ..SEAL | AH-BA ,BG-B S,B U-CG | 1 |
| 105 | NAS1801-06-5 | | ..SCREW | AH-BA ,BG-B S,B U-CG | 11 |

25-71-01

ILLUSTRATED PARTS LIST

01 Page 1086K

Nov 01/02

| FIG. & ITEM | PART NO. | AIRLINE PART NUMBER | NOMENCLATURE 1234567 | EFF CODE | QTY PER ASSY |
|-------------|--------------|---------------------|---------------------------------------|-------------------------------|--------------|
| 03-110 | 285T0296-93 | | ..PANEL ASSY | AH-BA ,BG-B S,B U-CG | 1 |
| 115 | 285T0296-94 | | ..PANEL ASSY | AH-BA ,BG-B S,B U-CG | 1 |
| 120 | 285T0296-92 | | ..PANEL ASSY | AH-BA ,BG-B S,B U-CG | 1 |
| 125 | BACR15BA4AD | | ...RIVET- (SIZE DETERMINE ON INST) | AH-BA ,BG-B S,B U-CG | 8 |
| 130 | 285T0296-21 | | ...BAR ASSY-SUPPORT | AH-BA ,BG-B S,B U-CG | 1 |
| 135 | 285T0296-22 | | ...BAR ASSY-SUPPORT | AH-BA ,BG-B S,B U-CG | 1 |
| 140 | MS21209C0615 | |INSERT- (USED ON ITEM 130) | AH-BA ,BG-B S,B U-CG | 4 |
| 145 | MS21209C0615 | |INSERT- (USED ON ITEM 135) | AH-BA ,BG-B S,B U-CG | 2 |
| 150 | 285T0296-23 | |BAR- (USED ON ITEM 130) | AH-BA ,BG-B S,B U-CG | 1 |
| 155 | 285T0296-24 | |BAR- (USED ON ITEM 135) | AH-BA ,BG-B S,B U-CG | 1 |

25-71-01

 ILLUSTRATED PARTS LIST
 01 Page 1086L
 Nov 01/02


BOEING
 COMPONENT
 MAINTENANCE MANUAL

| FIG. & ITEM | PART NO. | AIRLINE PART NUMBER | NOMENCLATURE 1234567 | EFF CODE | QTY PER ASSY |
|-------------|-------------|---------------------|--|-------------------------------|--------------|
| 03-160 | 285T0222-4 | | ...SEAL- (OPT ITEM 160A) | AH-BA ,BG-B S,B U-CG | 2 |
| -160A | 285T0296-96 | | ...SEAL- (OPT ITEM 160) | AH-BA ,BG-B S,B U-CG | 2 |
| 162 | 285T0222-4 | | ...SEAL | AH-BA ,BG-B S,B U-CG | 4 |
| 162A | 285T0296-96 | | ...SEAL | AH-BA ,BG-B S,B U-CG | 4 |
| 165 | 285T0296-95 | | ...SHIM | AH-BA ,BG-B S,B U-CG | 2 |
| 167 | 285T0296-95 | | ...SHIM | AH-BA ,BG-B S,B U-CG | 4 |
| 170 | 285T0296-46 | | ...GUIDE ASSY- (USED ON ITEMS 110, 115) | AH-BA ,BG-B S,B U-CG | 1 |
| -170A | 285T0296-43 | | DELETED | | |
| 172 | 285T0296-43 | | ...GUIDE ASSY- (USED ON ITEM 120) | AH-BA ,BG-B S,B U-CG | 1 |

25-71-01

ILLUSTRATED PARTS LIST

01 Page 1086M

Nov 01/02

| FIG. & ITEM | PART NO. | AIRLINE PART NUMBER | NOMENCLATURE 1234567 | EFF CODE | QTY PER ASSY |
|-------------|--------------|---------------------|---|-------------------------------|--------------|
| 03-175 | 285T0296-61 | | ...GUIDE ASSY- (USED ON ITEM 115) | AH-BA ,BG-B S,B U-CG | 1 |
| 180 | BACR15BB2AD | |RIVET- (SIZE DETERMINE ON INST) | AH-BA ,BG-B S,B U-CG | 36 |
| 185 | 24BX2-12-3L | |RETAINER-CARD (V07387) (USED ON ITEM 170) | AH-BA ,BG-B S,B U-CG | 12 |
| -185A | 24BX2-12-3R | | DELETED | | |
| 187 | 24BX2-12-3R | |RETAINER-CARD (V07387) (USED ON ITEMS 170A, 175) | AH-BA ,BG-B S,B U-CG | 12 |
| 190 | 285T0296-47 | |GUIDE-PANEL (USED ON ITEM 170) | AH-BA ,BG-B S,B U-CG | 1 |
| -190A | 285T0296-44 | | DELETED | | |
| -190B | 285T0296-60 | | DELETED | | |
| 191 | 285T0296-44 | |GUIDE-PANEL (USED ON ITEM 170A) | AH-BA ,BG-B S,B U-CG | 1 |
| 192 | 285T0296-60 | |GUIDE-PANEL (USED ON ITEM 175) | AH-BA ,BG-B S,B U-CG | 1 |
| 195 | NAS1801-04-5 | | ..SCREW | AH-BA ,BG-B S,B U-CG | 30 |

25-71-01

ILLUSTRATED PARTS LIST

01 Page 1086N

Nov 01/02


BOEING
 COMPONENT
 MAINTENANCE MANUAL

| FIG. & ITEM | PART NO. | AIRLINE PART NUMBER | NOMENCLATURE 1234567 | EFF CODE | QTY PER ASSY |
|-------------|---------------|---------------------|-------------------------|--|--------------|
| 03-197 | NAS1801-04-5 | | .. SCREW | AJ,AK ,AN,A R | 2 |
| 200 | NAS1801-04-5 | | .. SCREW | AJ-AL ,AN-A T,A W-BA, BG-BS BU-CG | 2 |
| 202 | NAS1801-04-5 | | .. SCREW | AH,AK ,AP | 2 |
| 205 | NAS1801-04-5 | | .. SCREW | AK,A S-AU | 2 |
| 210 | NAS1801-04-4 | | .. SCREW | AH-BA ,BG-B S,B U-CG | 4 |
| 213 | NAS1801-04-4 | | .. SCREW | AM | 2 |
| 215 | NAS1801-04-4 | | .. SCREW | AL-AR ,AV- BA,B G-BS, BU-CG | 2 |
| 216 | NAS1801-04-4 | | .. SCREW | AM | 2 |
| 217 | NAS1801-04-4 | | .. SCREW | AH,AP | 2 |
| 220 | NAS1801-04-4 | | .. SCREW | AN,AV ,BG,B M | 2 |
| 225 | NAS1801-06-20 | | .. SCREW | AH-BA ,BG-B S,B U-CG | 1 |
| 230 | MS38338-40 | | .. WASHER | AH-BA ,BG-B S,B U-CG | 30 |

25-71-01

ILLUSTRATED PARTS LIST

01 Page 10860

Nov 01/02

| FIG. & ITEM | PART NO. | AIRLINE PART NUMBER | NOMENCLATURE 1234567 | EFF CODE | QTY PER ASSY |
|-------------|---------------|---------------------|-------------------------|---|--------------|
| 03-232 | MS38338-40 | | ..WASHER | AJ,AK ,AN,A R | 2 |
| 235 | MS38338-40 | | ..WASHER | AJ-AL ,AN-A T,A W-BA, BG-BS BU-CG | 2 |
| 237 | MS38338-40 | | ..WASHER | AH,AK ,AP | 2 |
| 240 | MS35338-40 | | ..WASHER | AK,A S-AU | 2 |
| 245 | AN960D6 | | ..WASHER | AH-AK ,AM,A P,A R-AV, AX,AY BA,BG ,BH,B K,BL | 1 |
| -245A | NAS1149DN632H | | ..WASHER | AL,AN ,AQ,A W,AZ, BJ,B M-BS BU-CG | 1 |
| 250 | MS21042L04 | | ..NUT | AH-AR ,AT- BA,B G-BS, BU-CG | 4 |

25-71-01

ILLUSTRATED PARTS LIST

01 Page 1086P

Nov 01/02

BOEING
 COMPONENT
 MAINTENANCE MANUAL

| FIG. & ITEM | PART NO. | AIRLINE PART NUMBER | NOMENCLATURE 1234567 | EFF CODE | QTY PER ASSY |
|--------------|-------------|---------------------|--|--|--------------|
| 03- -250A | H10-04BAC | | ..NUT- (V15653) (SPEC BACN10JC04) (OPT NS202101-40 (V80539)) (OPT RMLH9075-40W (V72962)) (OPT VN303A40 (V92215)) (OPT 96-40 (V80539)) (OPT BRH10A04 (V52828)) (OPT T6S440J (V11815)) | AS | 4 |
| 253 | MS21042L04 | | ..NUT | AM | 2 |
| 255 | MS21042L04 | | ..NUT | AH,AJ ,AL-A R,A W-BA, BG-BS BU-CG | 2 |
| 257 | MS21042L04 | | ..NUT | AH,AP | 2 |
| 260 | MS21042L04 | | ..NUT | AM,AV ,BG | 2 |
| 261 | MS21042L04 | | ..NUT | AM | 2 |
| 265 | 285T0018-11 | | ..PLATE-COVER | AH-BA ,BG-B S,B U-CG | 1 |
| 267 | 285T0018-11 | | ..PLATE-COVER | AM | 1 |
| 268 | 285T0018-11 | | ..PLATE-COVER | AJ | 1 |
| 269 | 285T0018-11 | | ..PLATE-COVER | AM | 1 |
| 270 | 285T0018-10 | | ..PLATE-COVER | AH-BA ,BG-B S,B U-CG | 1 |

25-71-01

ILLUSTRATED PARTS LIST
 01 Page 1086Q
 Nov 01/02

| FIG. & ITEM | PART NO. | AIRLINE PART NUMBER | NOMENCLATURE 1234567 | EFF CODE | QTY PER ASSY |
|-------------|--------------|---------------------|---|-------------------------------|--------------|
| 03- | | | | | |
| 273 | 285T0018-10 | | ..PLATE-COVER | AH | 1 |
| 275 | NAS1801-06-5 | | ..SCREW | AH-BA ,BG-B S,B U-CG | 12 |
| 280 | MS35388-44 | | ..WASHER | AH-BA ,BG-B S,B U-CG | 1 |
| 285 | 108-0740-001 | | ..JACK-BANANA (V74970) | AH-BA ,BG-B S,B U-CG | 1 |
| 290 | BACR15BB3AD | | ..RIVET- (SIZE DETERMINE ON INST) | AH-BA ,BG-B S,B U-CG | 10 |
| 295 | BACR15BB4AD | | ..RIVET- (SIZE DETERMINE ON INST) | AH-BA ,BG-B S,B U-CG | 20 |
| 300 | WSI4-3 | | ..NUTPLATE- (V04169) (SPEC BACN10TL3-3) | AH-BA ,BG-B S,B U-CG | 3 |
| 305 | WSI4-6 | | ..NUTPLATE- (V04169) (SPEC BACN10TL3-6) | AH-BA ,BG-B S,B U-CG | 2 |
| 310 | NAS603-7P | | ..SCREW | AH-BA ,BG-B S,B U-CG | 5 |

25-71-01

 ILLUSTRATED PARTS LIST
 01 Page 1086R
 Nov 01/02


BOEING
 COMPONENT
 MAINTENANCE MANUAL

| FIG. & ITEM | PART NO. | AIRLINE PART NUMBER | NOMENCLATURE 1234567 | EFF CODE | QTY PER ASSY |
|-------------|-----------|---------------------|--|-------------------------------|--------------|
| 03-315 | TM3S10 | | ..PLATE- (V06383) (SPEC STBP19M12) | AH-BA ,BG-B S,B U-CG | 5 |
| 320 | YHLZG16-1 | | ..BLOCK-TERMINAL (V09922) | AH-BA ,BG-B S,B U-CG | 5 |
| -325 | YHLZ2 | | ..MODULE- (V09922) (SPEC BACM15C1A) (OPT YHLZ22 (V09922)) | AH-BA ,BG-B S,B U-CG | AR |
| -330 | YHLZ4 | | ..MODULE- (V09922) (SPEC BACM15C1B) (OPT YHLZ44 (V09922)) | AH-BA ,BG-B S,B U-CG | AR |
| -335 | YHLZ8 | | ..MODULE- (V09922) (SPEC BACM15C2A) | AH-BA ,BG-B S,B U-CG | AR |
| -340 | YHLZ16-2 | | ..MODULE- (V09922) (SPEC BACM15C3A) (OPT TBH120450 (V58982)) (OPT 421120-450 (V58982)) | AH-BA ,BG-B S,B U-CG | AR |
| -345 | YHLZ16-4 | | ..MODULE- (V09922) (SPEC BACM15C3B) (OPT 421120-452 (V58982)) (OPT TBH120452 (V58982)) | AH-BA ,BG-B S,B U-CG | AR |

25-71-01

ILLUSTRATED PARTS LIST

01

Page 1086S

Nov 01/02

| FIG. & ITEM | PART NO. | AIRLINE PART NUMBER | NOMENCLATURE 1234567 | EFF CODE | QTY PER ASSY |
|-------------|--------------|---------------------|--|----------------------------------|--------------|
| 03- -350 | YHLZ16-8 | | ..MODULE- (V09922) (SPEC BACM15C3C) (OPT 421120-454 (V58982)) (OPT TBH120454 (V58982)) | AH-BA ,BG-B S,B U-CG | AR |
| 360 | 285T0006-38 | | ..ENCLOSURE ASSY | AH-AK ,AM-A P,AR, AS | 1 |
| -360A | 285T0006-78 | | ..ENCLOSURE ASSY | AT-AY ,BA,B G-BL | 1 |
| -360B | 285T0006-111 | | ..ENCLOSURE ASSY | AL,AQ ,AZ,B Q-BS, BW,BX | 1 |
| -360C | 285T0006-123 | | ..ENCLOSURE ASSY | BM | 1 |
| 360D | 285T0006-124 | | ..ENCLOSURE ASSY | BN,BP ,BU,B V,BY, CA-CF | 1 |
| -360E | 285T0006-125 | | ..ENCLOSURE ASSY | BZ,CG | 1 |
| 365 | BACR15BB5AD | | ...RIVET- (SIZE DETERMINE ON INST) | AH-BA ,BG-B S,B U-CG | 4 |
| 370 | BACR15BB6AD | | ...RIVET- (SIZE DETERMINE ON INST) | AH-BA ,BG-B S,B U-CG | 5 |
| 375 | 285T0296-79 | | ...BRACKET | AH-BA ,BG-B S,B U-CG | 1 |
| 380 | 285T0296-80 | | ...BRACKET ASSY | AH-BA ,BG-B S,B U-CG | 1 |

25-71-01

ILLUSTRATED PARTS LIST

01 Page 1086T

Nov 01/02


BOEING
 COMPONENT
 MAINTENANCE MANUAL

| FIG. & ITEM | PART NO. | AIRLINE PART NUMBER | NOMENCLATURE 1234567 | EFF CODE | QTY PER ASSY |
|-------------|-------------|---------------------|--|-------------------------------|--------------|
| 03-385 | BACR15BA4AD | |RIVET- (SIZE DETERMINE ON INST) | AH-BA ,BG-B S,B U-CG | 2 |
| 390 | 285T0296-81 | |FILLER | AH-BA ,BG-B S,B U-CG | 1 |
| 395 | 285T0296-54 | |BRACKET | AH-BA ,BG-B S,B U-CG | 1 |
| 400 | 285T0296-75 | | ...BRACKET ASSY | AH-BA ,BG-B S,B U-CG | 1 |
| 405 | BACR15BA3AD | |RIVET- (SIZE DETERMINE ON INST) | AH-BA ,BG-B S,B U-CG | 5 |
| 410 | 285T0296-53 | |FILLER | AH-BA ,BG-B S,B U-CG | 1 |
| 415 | 285T0296-76 | |SPACER | AH-BA ,BG-B S,B U-CG | 1 |
| 420 | 285T0296-29 | |BRACKET | AH-BA ,BG-B S,B U-CG | 1 |
| 425 | 285T0296-72 | | ...DOOR ASSY | AH-AK ,AM-A P,AR, AS | 1 |

25-71-01

ILLUSTRATED PARTS LIST

01 Page 1086U

Nov 01/02

| FIG. & ITEM | PART NO. | AIRLINE PART NUMBER | NOMENCLATURE 1234567 | EFF CODE | QTY PER ASSY |
|--------------|-------------------------|---------------------|---|-------------------------------|--------------|
| 03- -425A | 285T0296-72 | | ...DOOR ASSY- (OPT ITEM 425B) | AT-BA ,BG-B S,B U-CG | 1 |
| -425B | 285T0296-98 | | ...DOOR ASSY- (OPT ITEM 425A) | AT-BA ,BG-B S,B U-CG | 1 |
| 430 | 2600LW | |WASHER- (V71286) (SPEC BACW10X4) (OPT 1127700 (V60119)) | AH-BA ,BG-B S,B U-CG | 4 |
| 435 435A | BACS21EE3R BACS21Y1R | | DELETEDSTUD ASSY | AH-BA ,BG-B S,B U-CG | 4 |
| 440 | BACR15BA3AD | |RIVET- (SIZE DETERMINE ON INST) | AH-BA ,BG-B S,B U-CG | 4 |
| 445 | BACR15BB3AD | |RIVET- (SIZE DETERMINE ON INST) | AH-BA ,BG-B S,B U-CG | 16 |
| 450 | 285T0296-74 | |RETAINER | AH-BA ,BG-B S,B U-CG | 4 |
| 455 | 285T0296-41 | |SEAL | AH-BA ,BG-B S,B U-CG | 2 |

25-71-01

 ILLUSTRATED PARTS LIST
 01 Page 1086V
 Nov 01/02


BOEING
 COMPONENT
 MAINTENANCE MANUAL

| FIG. & ITEM | PART NO. | AIRLINE PART NUMBER | NOMENCLATURE 1234567 | EFF CODE | QTY PER ASSY |
|-------------|-------------|---------------------|---------------------------------------|-------------------------------|--------------|
| 03-457 | 285T0296-41 | |SEAL- (USED ON ITEM 425A) | AH-BA ,BG-B S,B U-CG | 1 |
| 460 | 285T0296-42 | |SEAL | AH-BA ,BG-B S,B U-CG | 1 |
| 462 | 285T0296-42 | |SEAL- (USED ON ITEM 425A) | AH-BA ,BG-B S,B U-CG | 1 |
| 465 | 285T0296-73 | |BRACKET | AH-BA ,BG-B S,B U-CG | 4 |
| 470 | 285T0296-71 | |SEAL- (USED ON ITEM 425A) | AH-BA ,BG-B S,B U-CG | 1 |
| 475 | 285T0296-8 | |DOOR | AH-BA ,BG-B S,B U-CG | 1 |
| 480 | BACR15CE5AD | | ...RIVET- (SIZE DETERMINE ON INST) | AH-BA ,BG-B S,B U-CG | 9 |
| 485 | BACR15BB5AD | | ...RIVET- (SIZE DETERMINE ON INST) | AH-BA ,BG-B S,B U-CG | 8 |
| 490 | BACR15BB5AD | | DELETED | | |

25-71-01

ILLUSTRATED PARTS LIST

01 Page 1086W

Nov 01/02

| FIG. & ITEM | PART NO. | AIRLINE PART NUMBER | NOMENCLATURE 1234567 | EFF CODE | QTY PER ASSY |
|-------------|----------------|---------------------|---------------------------------------|---|--------------|
| 03-495 | 285T0296-77 | | ...HINGE ASSY | AH-BA ,BG-B S,B U-CG | 1 |
| 500 | MS20253P2-1950 | |PIN | AH-BA ,BG-B S,B U-CG | 1 |
| 505 | 285T0296-83 | |HINGE-HALF | AH-BA ,BG-B S,B U-CG | 1 |
| 510 | 285T0296-84 | |HINGE-HALF | AH-BA ,BG-B S,B U-CG | 1 |
| 515 | 285T0296-78 | | ...SPACER | AH-AK ,AM-A P,A R-AY, BA BG-BL | AR |
| -515A | 285T0296-101 | | ...SPACER | AL,AQ ,AZ,B M-BS, BU-CG | AR |
| 517 | BACR15BB3AD | | ...RIVET- (SIZE DETERMINE ON INST) | AH-BA ,BG-B S,B U-CG | 8 |
| 518 | 285T0018-9 | | ...SPACER | AH-BA ,BG-B S,B U-CG | 4 |
| 520 | BACR11Y1 | | ...RECEPTACLE | AH-BA ,BG-B S,B U-CG | 4 |
| 525 | BACR15BB3AD | | DELETED | | |

25-71-01

 ILLUSTRATED PARTS LIST
 01 Page 1086X
 Nov 01/02


BOEING
 COMPONENT
 MAINTENANCE MANUAL

| FIG. & ITEM | PART NO. | AIRLINE PART NUMBER | NOMENCLATURE 1234567 | EFF CODE | QTY PER ASSY |
|-------------|-------------|---------------------|--|-------------------------------|--------------|
| 03-530 | BACR15BB5AD | | ...RIVET- (SIZE DETERMINE ON INST) | AH-BA ,BG-B S,B U-CG | 8 |
| 535 | BACR15BB4AD | | ...RIVET- (SIZE DETERMINE ON INST) | AH-BA ,BG-B S,B U-CG | 6 |
| 540 | 285T0018-9 | | DELETED | | |
| 545 | 285T0155-3 | | ...SPUD ASSY- (OPT ITEM 545A) | AH-BA ,BG-B S,B U-CG | 1 |
| -545A | 285T0155-8 | | ...SPUD ASSY- (OPT ITEM 545) | AH-BA ,BG-B S,B U-CG | 1 |
| 550 | 285T0296-88 | | ...BRACKET | AH-BA ,BG-B S,B U-CG | 1 |
| 555 | 217T2113-1 | | ...INLET ASSY | AH-BA ,BG-B S,B U-CG | 1 |
| 560 | BACR15BB4 | |RIVET- (SIZE DETERMINE ON INST) | AH-BA ,BG-B S,B U-CG | 2 |
| 565 | 217T1436-1 | |RETAINER ASSY | AH-BA ,BG-B S,B U-CG | 1 |

25-71-01

ILLUSTRATED PARTS LIST

01 Page 1086Y

Nov 01/02

| FIG. & ITEM | PART NO. | AIRLINE PART NUMBER | NOMENCLATURE 1234567 | EFF CODE | QTY PER ASSY |
|-------------|---------------|---------------------|---------------------------|---|--------------|
| 03-567 | BAC27TEC0160 | |MARKER- TEST PORT | AH-BA ,BG-B S,B U-CG | 1 |
| 570 | 217T1435-2 | |PLUG | AH-BA ,BG-B S,B U-CG | 1 |
| 575 | NAS42DD4-4 | |SPACER | AH-BA ,BG-B S,B U-CG | 2 |
| 577 | 217T2113-4 | |WELD ASSY | AH-BA ,BG-B S,B U-CG | 1 |
| 580 | NAS1801-04-5 | | ...SCREW | AH-BA ,BG-B S,B U-CG | 4 |
| 585 | NAS1801-06-5 | | ...SCREW | AH-AK ,AM-A P,AR, AS,A U-AY BA,B G-BK | 8 |
| -585A | NAS1801-06-6 | | ...SCREW | AL,AQ ,AT,A Z,B L-BS, BU-CG | 8 |
| 590 | NAS1149FN632P | | ...WASHER | AH-AK ,AM-A P,AR, AS | 8 |
| -590A | NAS1149DN632J | | ...WASHER | AT-BA ,BG-B S,B U-CG | 8 |

25-71-01

 ILLUSTRATED PARTS LIST
 01 Page 1086Z
 Nov 01/02


BOEING
 COMPONENT
 MAINTENANCE MANUAL

| FIG. & ITEM | PART NO. | AIRLINE PART NUMBER | NOMENCLATURE 1234567 | EFF CODE | QTY PER ASSY |
|-------------|--------------|---------------------|---|---|--------------|
| 03-595 | H10-04BAC | | ...NUT- (V15653) (SPEC BACN10JC04) (OPT NS202101-40 (V80539)) (OPT RMLH9075-40W (V72962)) (OPT VN303A40 (V92215)) (OPT 96-40 (V80539)) (OPT BRH10A04 (V52828)) (OPT T6S440J (V11815)) | AH-BA ,BG-B S,B U-CG | 4 |
| 600 | 285T0296-65 | | ...COVER-PLATE | AH-BA ,BG-B S,B U-CG | 1 |
| 605 | 285T0296-6 | | ...PANEL-REAR | AH-BA ,BG-B S,B U-CG | 1 |
| 610 | 285T0296-57 | | ...BOX ASSY | AH-AK ,AM-A P,AR, AS | 1 |
| -610A | 285T0296-97 | | ...BOX ASSY | AT-AY ,BA,B G-BL | 1 |
| -610B | 285T0296-106 | | ...BOX ASSY | AL,AQ ,AZ,B N-BS, BU-BY CA-CF | 1 |
| -610C | 285T0296-107 | | ...BOX ASSY | BM,BZ ,CG | 1 |

25-71-01

ILLUSTRATED PARTS LIST

01

Page 1087

Nov 01/02

| FIG. & ITEM | PART NO. | AIRLINE PART NUMBER | NOMENCLATURE 1234567 | EFF CODE | QTY PER ASSY |
|-------------|--------------|---------------------|--|---|--------------|
| 03-615 | BACR15BA5AD | |RIVET- (SIZE DETERMINE ON INST) | AH-BA ,BG-B S,B U-CG | 16 |
| 620 | F5000-06BAC | |NUTPLATE- (V15653) (SPEC BACN10JR06F) (OPT NS103203-62 (V80539)) (OPT RMF9201-62 (V72962)) (OPT VN152A1-62 (V92215)) (OPT T8091S632 (V11815)) (OPT BRF200A06 (V52828)) | AH-BA ,BG-B S,B U-CG | 8 |
| 625 | 285T0296-5 | |PANEL-TOP | AH-BA ,BG-B S,B U-CG | 1 |
| 630 | 285T0296-2 | |PANEL-SIDE | AH-BA ,BG-B S,B U-CG | 1 |
| 635 | 285T0296-3 | |PANEL-SIDE | AH-AK ,AM-A P,A R-AY, BA BG-BL | 1 |
| -635A | 285T0296-102 | |PANEL-SIDE | AL,AQ ,AZ,B M-BS, BU-CG | 1 |

25-71-01

ILLUSTRATED PARTS LIST

01

Page 1088

Nov 01/02


BOEING
 COMPONENT
 MAINTENANCE MANUAL

| FIG. & ITEM | PART NO. | AIRLINE PART NUMBER | NOMENCLATURE 1234567 | EFF CODE | QTY PER ASSY |
|-------------|---------------|---------------------|-------------------------------------|--|--------------|
| 03-640 | 285T0296-66 | |PANEL-BOTTOM (OPT ITEM 290A) | AH-AK ,AM-A P,AR, AS | 1 |
| -640A | 285T0296-82 | |PANEL-BOTTOM (OPT ITEM 290) | AH-AK ,AM-A P,AR, AS | 1 |
| -640B | 285T0296-82 | |PANEL-BOTTOM | AL,AQ ,AT- BA,B G-BL, BN-BS BU-BY ,CA-C F | 1 |
| -640C | 285T0296-108 | |PANEL-BOTTOM | BM,BZ ,CG | 1 |
| -645 | 286T1078 | | ..WIRE BUNDLE ASSY | AH-BA ,BG-B S,B U-CG | 1 |
| -650 | 286T1080 | | ..WIRE BUNDLE ASSY | AH-BA ,BG-B S,B U-CG | 1 |
| -655 | 286T1114 | | ..WIRE BUNDLE ASSY | AH-BA ,BG-B S,B U-CG | 1 |
| 660 | NAS1801-04-5 | | ..SCREW | AL,AQ ,AZ,B N,BP, BU,BV BY-CG | 6 |
| 665 | NAS1149DN416H | | ..WASHER | AL,AQ ,AZ,B N,BP, BU,BV BY-CG | 6 |

25-71-01

ILLUSTRATED PARTS LIST

01 Page 1088A

Nov 01/02

| FIG. & ITEM | PART NO. | AIRLINE PART NUMBER | NOMENCLATURE 1234567 | EFF CODE | QTY PER ASSY |
|-------------|-------------|---------------------|---|---|--------------|
| 03-670 | 285T0296-99 | | ..TRACK ASSY | AL,AQ ,AZ,B N,BP, BU,BV BY-CG | 1 |
| 675 | BACR15BA3AD | | ..RIVET- (SIZE DETERMINE ON INST) | AL,AQ ,AZ,B N,BP, BU,BV BY-CG | 23 |
| 680 | BRM100A04L | | ...NUTPLATE- (V52828) (SPEC BACN10JP04B) (OPT MK2000-04BAC (V15653)) (OPT NS103198-40 (V80539)) (OPT RMA9207M40 (V72962)) (OPT VN201A1-40L (V92215)) (OPT T8077S440 (V11815)) | AL,AQ ,AZ,B N,BP, BU,BV BY-CG | 1 |
| 685 | BRM200A04L | | ...NUTPLATE- (V52828) (SPEC BACN10JP04A) (OPT MK1000-04BAC (V15653)) (OPT NS103197-40 (V80539)) (OPT RMA9201M40 (V72962)) (OPT VN202A1-40L (V92215)) (OPT T8076S440 (V11815)) | AL,AQ ,AZ,B N,BP, BU,BV BY-CG | 3 |

25-71-01

 ILLUSTRATED PARTS LIST
 01 Page 1088B
 Nov 01/02


BOEING
 COMPONENT
 MAINTENANCE MANUAL

| FIG. & ITEM | PART NO. | AIRLINE PART NUMBER | NOMENCLATURE 1234567 | EFF CODE | QTY PER ASSY |
|-------------|--------------|---------------------|--|---|--------------|
| 03-690 | T8078S440 | | ...NUTPLATE- (V11815) (SPEC BACN10JP04C) (OPT BRM300A04L (V52828)) (OPT MK3000-04BAC (V15653)) (OPT NS103199-40 (V80539)) (OPT RMA9205M40 (V72962)) (OPT VN203A1-40L (V92215)) | AL,AQ ,AZ,B N,BP, BU,BV BY-CG | 2 |
| 695 | AMY0770T5 | | ...TRACK- (V09922) (SPEC BACT44B0770U) | AL,AQ ,AZ,B N,BP, BU,BV BY-CG | 1 |
| 700 | AMY0940T5 | | ...TRACK- (V09922) (SPEC BACT44B0940U) | AL,AQ ,AZ,B N,BP, BU,BV BY-CG | 2 |
| 705 | 285T0296-100 | | ...PLATE | AL,AQ ,AZ,B N,BP, BU,BV BY-CG | 1 |
| 710 | BAC27TEX1316 | | ...MARKER-VINYL | AL,AQ ,AZ,B N,BP, BU,BV BY-CG | 1 |

25-71-01

ILLUSTRATED PARTS LIST

01

Page 1088C

Nov 01/02

| FIG. & ITEM | PART NO. | AIRLINE PART NUMBER | NOMENCLATURE 1234567 | EFF CODE | QTY PER ASSY |
|-------------|---------------|---------------------|--|--|--------------|
| 03-715 | BAC27TEX2005 | | ..MARKER-ALUMINUM FOIL, P50 ELECTRICAL SYSTEM CARD FILE | AH-BA ,BG-B S,B U-CG | 1 |
| 720 | BAC27TEX2017 | | ..DECAL-VINYL | AH-BA ,BG-B S,B U-CG | 1 |
| 725 | BAC27TEX1 | | ..MARKER-ALUMINUM FOIL | AH-BA ,BG-B S,B U-CG | 1 |
| 730 | BAC27TEX3370 | | ..MARKER-VINYL | AH-BA ,BG-B S,B U-CG | 1 |
| 735 | BAC27EEL22704 | | ..DECALSET-VINYL, (INCLUDES DECALS IDENTIFIED ON THE ILLUSTRATION) | AH-BA ,BG-B S,B U-CG | 1 |
| 740 | BAC27TEX2951 | | ..DECAL-VINYL | AH-BA ,BG-B L,B N-BS, BU-BY CA-CF | 1 |
| -740A | BAC27TEX5451 | | ..DECAL-VINYL | BM,BZ ,CG | 1 |
| 745 | BAC27TEX1316 | | ..MARKER-VINYL | AH-AK ,AM-A P,A R-BA, BG-BM BQ-BS ,BW,B X | 1 |
| 750 | BAC27TEX1302 | | ..DECAL-VINYL | AH-BA ,BG-B S,B U-CG | 3 |

25-71-01

ILLUSTRATED PARTS LIST

01 Page 1088D

Nov 01/02


BOEING
 COMPONENT
 MAINTENANCE MANUAL

| FIG. & ITEM | PART NO. | AIRLINE PART NUMBER | NOMENCLATURE 1234567 | EFF CODE | QTY PER ASSY |
|-------------|--------------|---------------------|---|---|--------------|
| 03-755 | BAC27TEX3311 | | ..DECALSET-VINYL, (INCLUDES DECALS IDENTIFIED ON THE ILLUSTRATION | AH-BA ,BG-B S,B U-CG | 1 |
| 760 | BAC27TEX1993 | | ..MARKER-VINYL, ATTENTION ELECTROSTATIC GROUND JACK | AH-BA ,BG-B S,B U-CG | 1 |
| 765 | 285T0296-89 | | .PLATE-CONNECTOR | AH-AM ,AP,A R,AU, AV,A X-AZ BA,B G-BN, BQ-BS ,BU-C G | 1 |
| -770 | 285T0296-56 | | .PLATE-CONNECTOR | AN,AQ ,AS,A T,AW, BP | 1 |
| 775 | 285T0296-90 | | .PLATE-CONNECTOR | AH-AM ,AP,A R,AU, AV,A X-AZ BA,B G-BN, BQ-BS ,BU-C G | 1 |

25-71-01

ILLUSTRATED PARTS LIST

01 Page 1088E

Nov 01/02

| FIG. & ITEM | PART NO. | AIRLINE PART NUMBER | NOMENCLATURE 1234567 | EFF CODE | QTY PER ASSY |
|-------------|--------------|---------------------|-------------------------------------|---|--------------|
| 03-780 | 285T0296-59 | | .PLATE-CONNECTOR | AN,AQ ,AS,A T,AW, BP | 1 |
| 785 | YHLZD33 | | .DIODE- (V09922) (R574, R575) | AH-AS ,AU- BA,B G-BM, BQ-BS BU-CG | 2 |
| 790 | YHLZD30 | | .DIODE- (V09922) (R187, R189) | AH-AK ,AM-A P,A R-AW, BA | 2 |
| 795 | YHLZD30 | | .DIODE- (V09922) (R435, R436) | AS | 2 |
| 800 | BAC27TEX4770 | | .DECAL-VINYL | AH,AP ,AX,A Z,BR, CB | 1 |
| 805 | BAC27TEX4041 | | .DECAL-VINYL | AJ,AR ,AY, BA,BH ,BL,B S,BV BX,CC ,CF | 1 |
| 810 | BAC27TEX4777 | | .DECAL-VINYL | AK,AL ,AU,B Q,CA, CF | 1 |
| 815 | BAC27TEX4422 | | .DECAL-VINYL | AM,AV ,BG,B U | 1 |

25-71-01

 ILLUSTRATED PARTS LIST
 01 Page 1088F
 Nov 01/02


BOEING
 COMPONENT
 MAINTENANCE MANUAL

| FIG. & ITEM | PART NO. | AIRLINE PART NUMBER | NOMENCLATURE 1234567 | EFF CODE | QTY PER ASSY |
|-------------|--------------|---------------------|-------------------------|--|--------------|
| 03-820 | BAC27TEX3752 | | .DECAL-VINYL | AN,AQ ,AS,A W,BY | 1 |
| 825 | BAC27TEX3753 | | .DECAL-VINYL | AT,BJ ,BN,B P | 1 |
| 830 | BAC27TEX5048 | | .DECAL-VINYL | BK,BU ,CD | 1 |
| 835 | BAC27TEX5321 | | .DECAL-VINYL | BM,BZ | 1 |
| 840 | BAC27TEX5616 | | .DECAL-VINYL | CG | 1 |
| 845 | BAC27TEX4413 | | .DECAL-VINYL | AH,AJ ,AM,A N,AV, AW,BA ,CF | 1 |
| 850 | BAC27TEX4793 | | .DECAL-VINYL | AK,AL ,AP-A R,AU, AX-AZ ,BG BH,BK ,BQ-B S,B U-BW, BY CA-CD | 1 |
| 855 | BAC27TEX4561 | | .DECAL-VINYL | AS | 1 |
| 860 | BAC27TEX4414 | | .DECAL-VINYL | BJ,BN | 1 |
| 865 | BAC27TEX5305 | | .DECAL-VINYL | BL,BX ,CE | 1 |
| 870 | BAC27TEX5452 | | .DECAL-VINYL | BM,BZ ,CG | 1 |
| 875 | BAC27TEX3020 | | .DECAL-VINYL, R209 | AT,BP | 1 |
| 880 | BAC27TEX3021 | | .DECAL-VINYL, R210 | AT,BP | 1 |
| 885 | BAC27TEX3011 | | .DECAL-VINYL, R191 | AT,BP | 1 |
| 890 | BAC27TEX3012 | | .DECAL-VINYL, R192 | AT,BP | 1 |
| 895 | BAC27TEX3018 | | .DECAL-VINYL, R207 | AT,BP | 1 |
| 900 | BAC27TEX3019 | | .DECAL-VINYL, R208 | AT,BP | 1 |

25-71-01

ILLUSTRATED PARTS LIST

01 Page 1088G

Nov 01/02

| FIG. & ITEM | PART NO. | AIRLINE PART NUMBER | NOMENCLATURE | EFF CODE | QTY PER ASSY |
|-------------|--------------|---------------------|--------------------|----------|--------------|
| | | | 1234567 | | |
| 03-905 | BAC27TEX2827 | | .DECAL-VINYL, R112 | AT,BP | 1 |
| 910 | BAC27TEX2828 | | .DECAL-VINYL, R113 | AT,BP | 1 |

- Item Not Illustrated

25-71-01

ILLUSTRATED PARTS LIST
 01 Page 1088H
 Nov 01/02